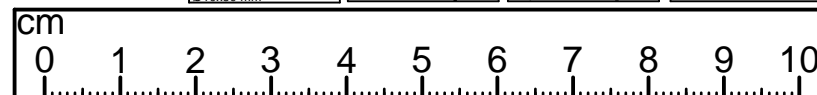
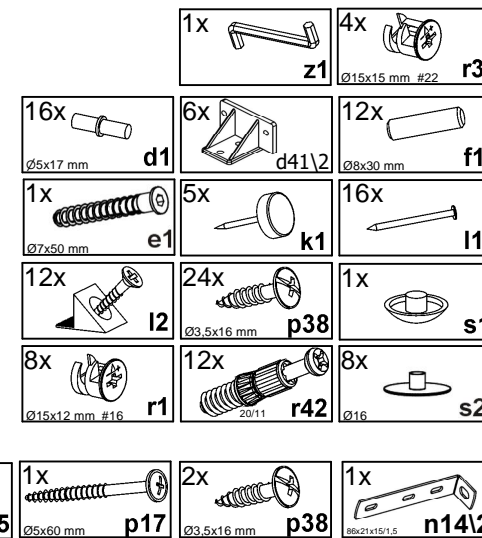
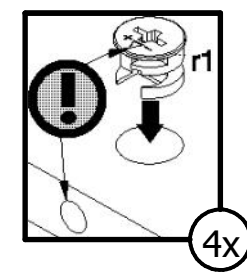
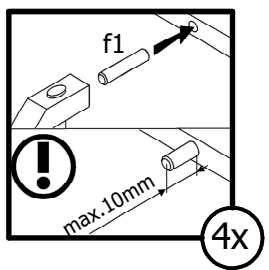
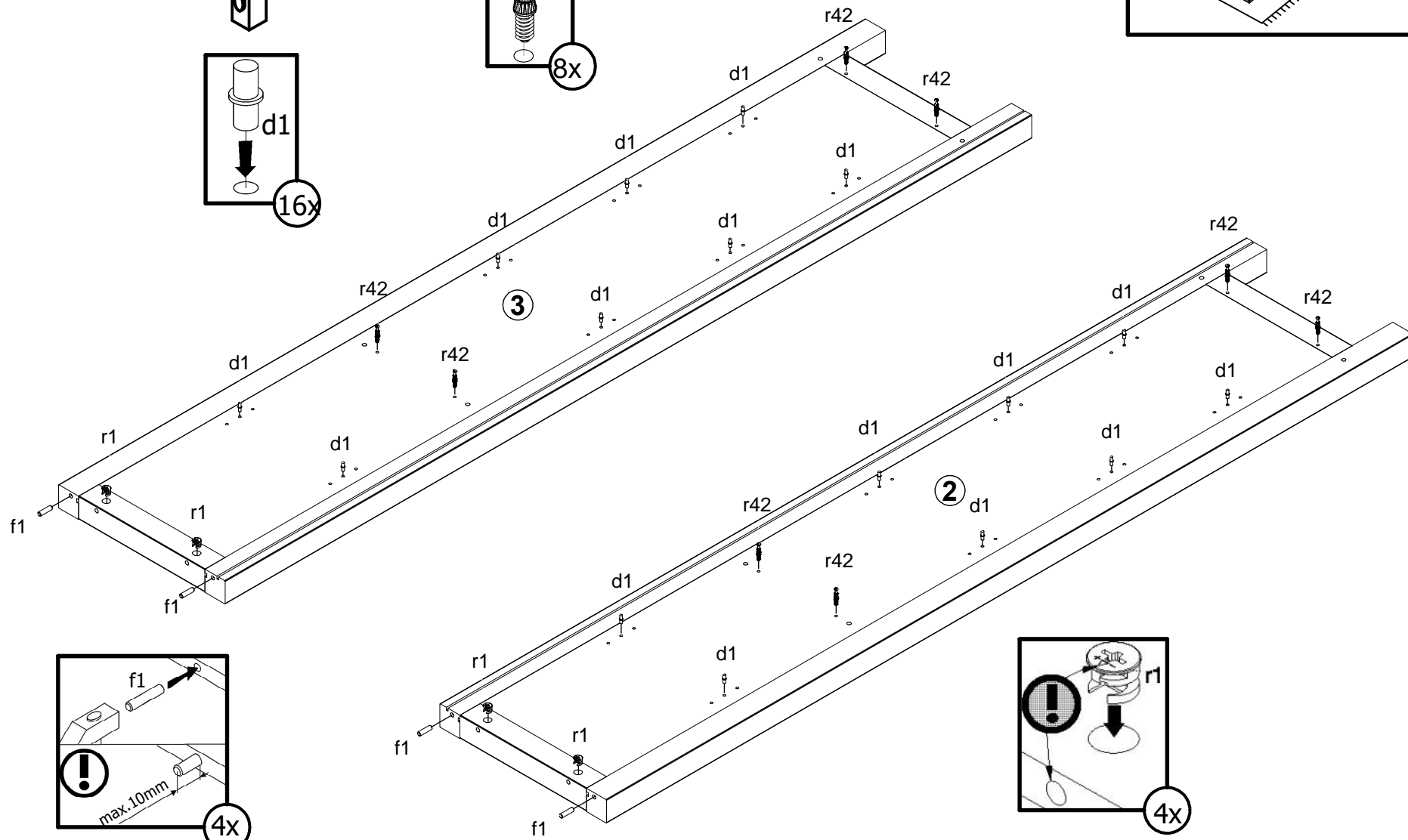
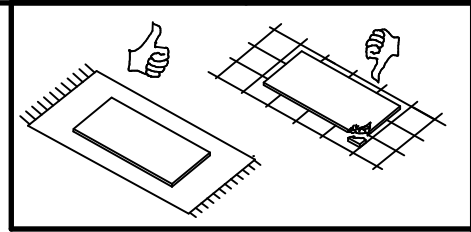
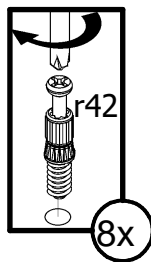
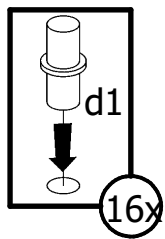
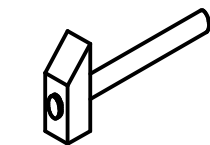
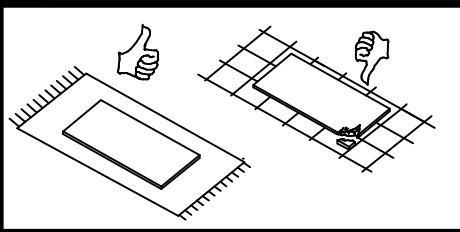


A	B	C1	C2	C3	D
1	S503-5005	134	50	50	3/3
2	S515-1007	2000	413	50	3/3
3	S515-1008	2000	413	50	3/3
4	S515-2003	1060	438	28	2/3
5	S515-3008	911	373	15	2/3
6	S515-3009	911	373	22	2/3
7	S515-3010	910	362	22	1/3
8	S515-5201	911	50	19	2/3
9	S515-9302	1869	921	2.5	3/3

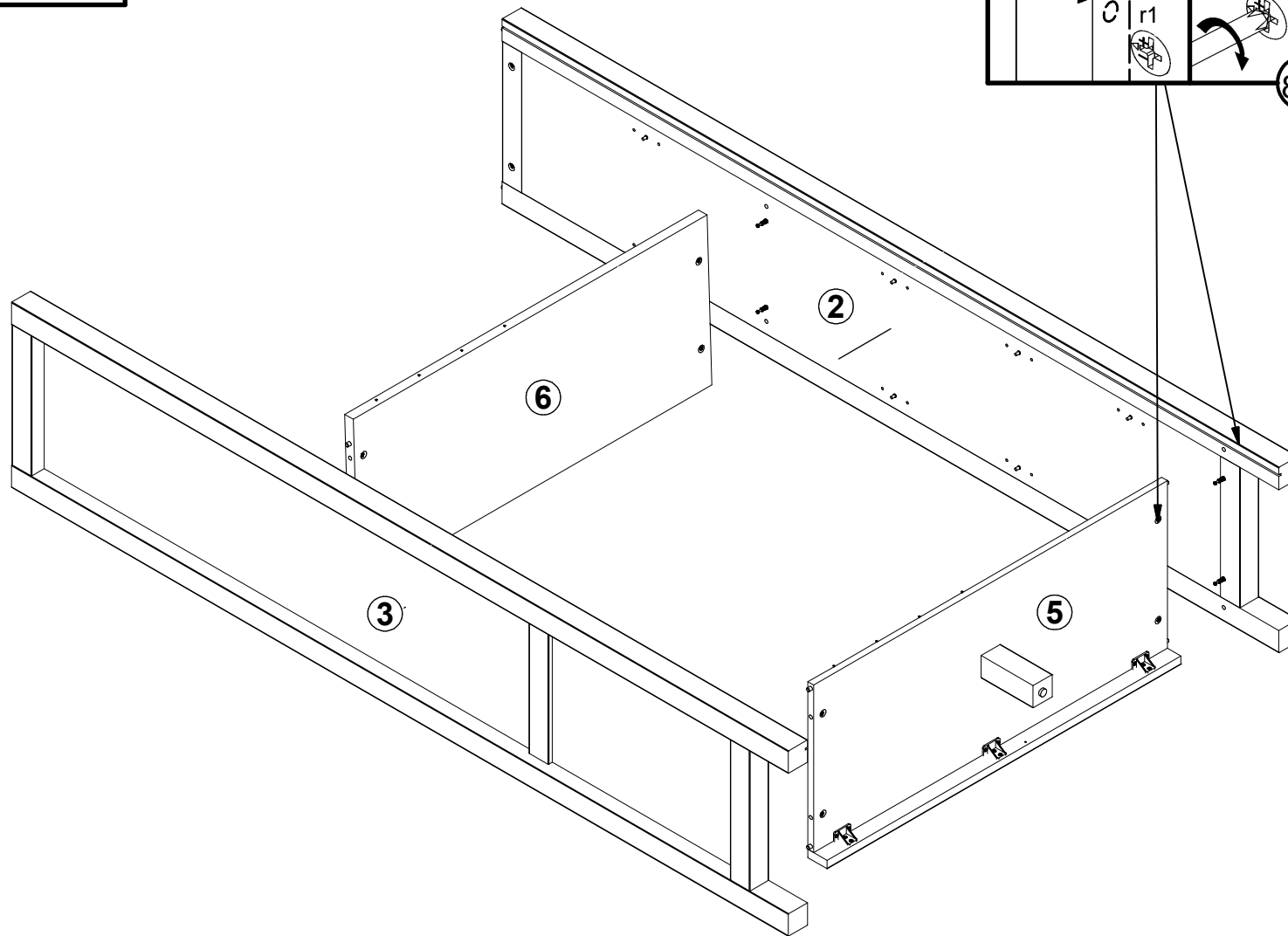
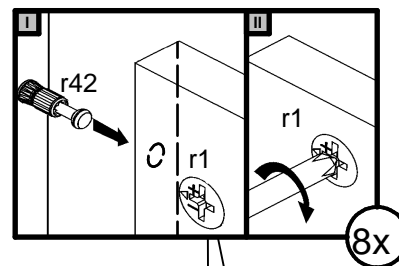


1

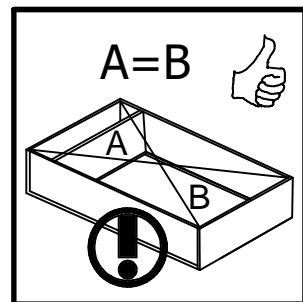
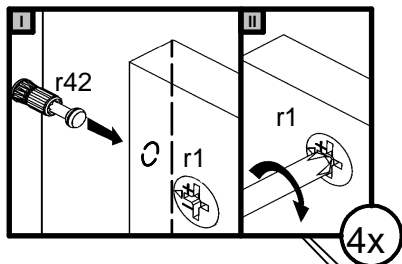




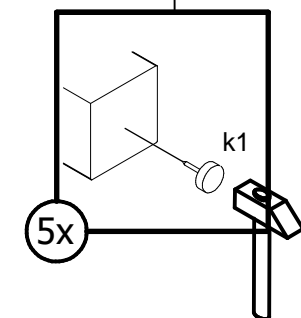
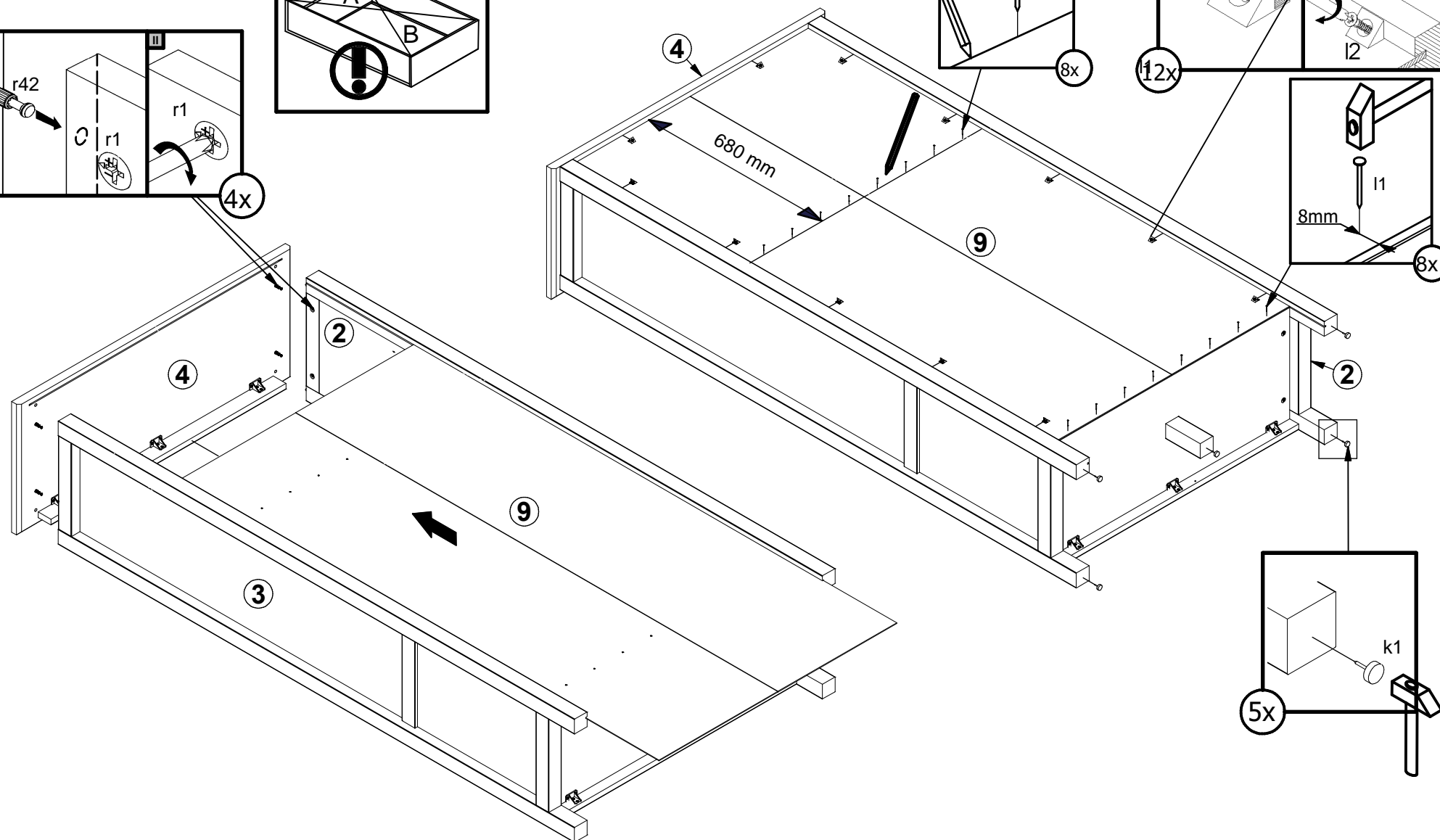
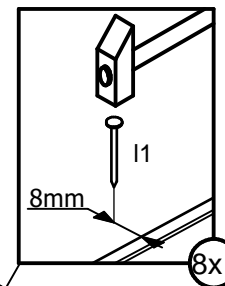
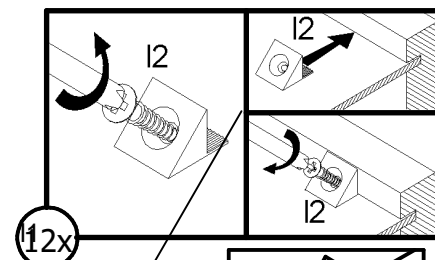
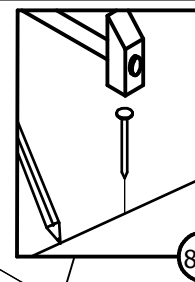
2



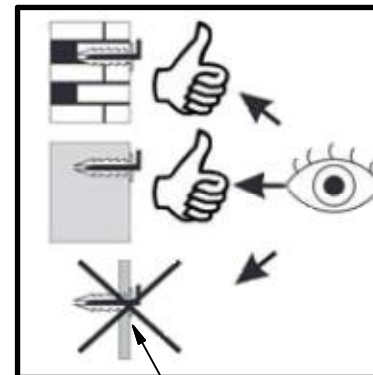
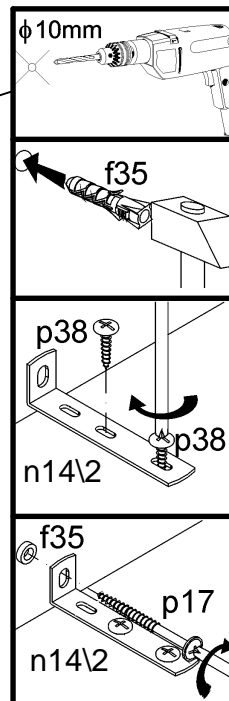
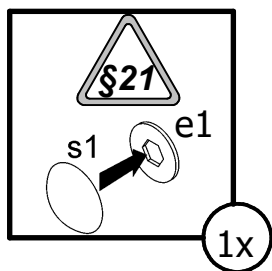
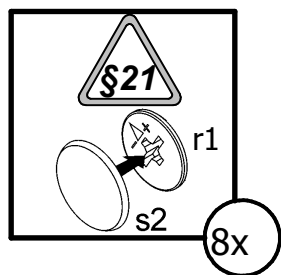
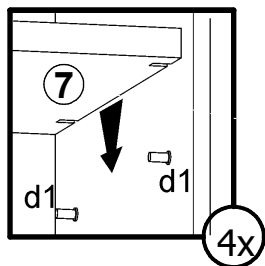
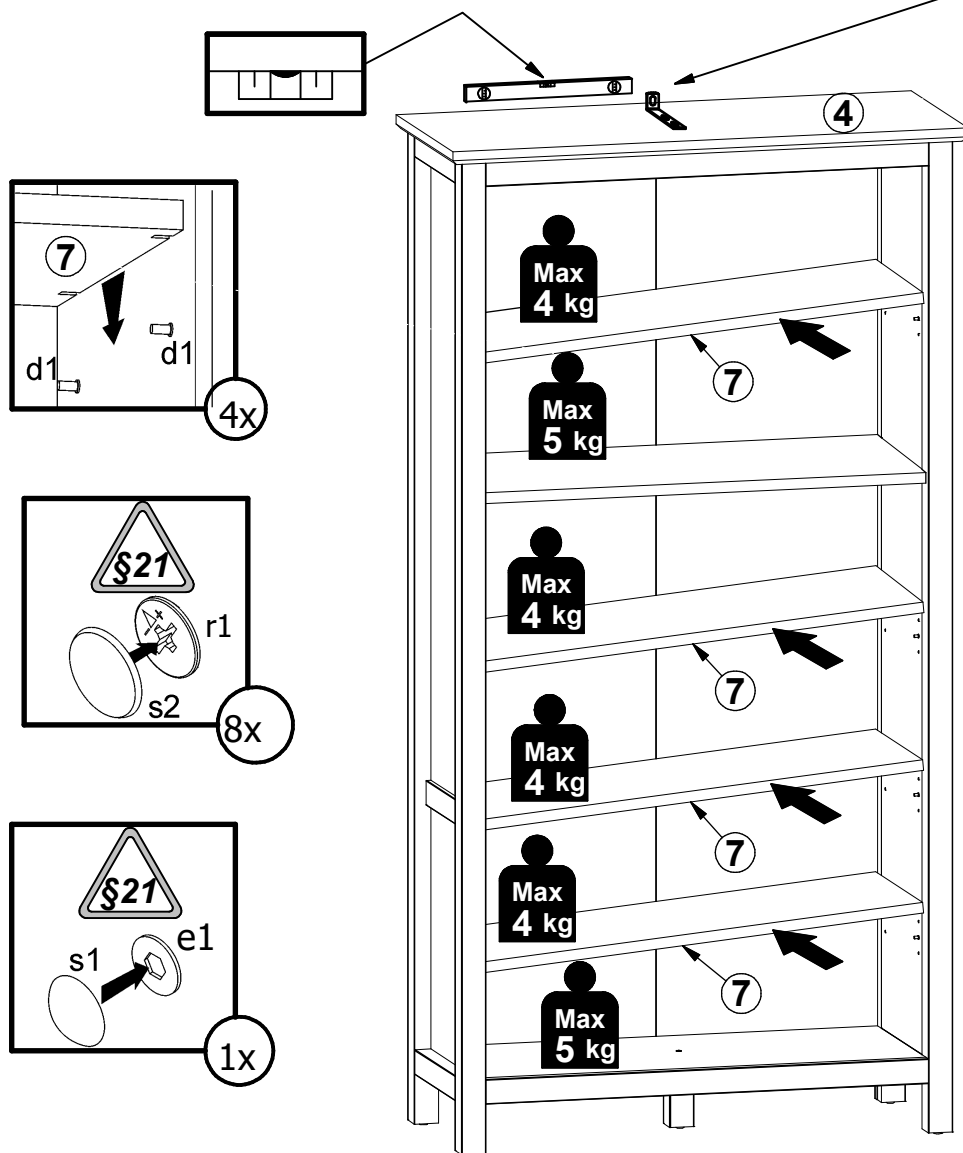
3



4



5



- 1x f35
Ø10x50 mm
- 1x n142
88x21x151.5
- 1x p17
Ø5x60 mm
- 2x p38
Ø3.5x16 mm

