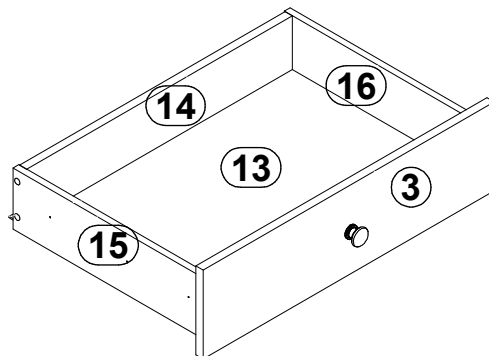
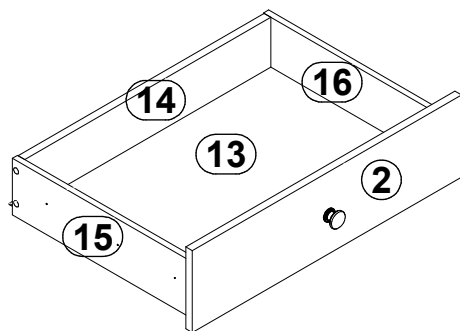
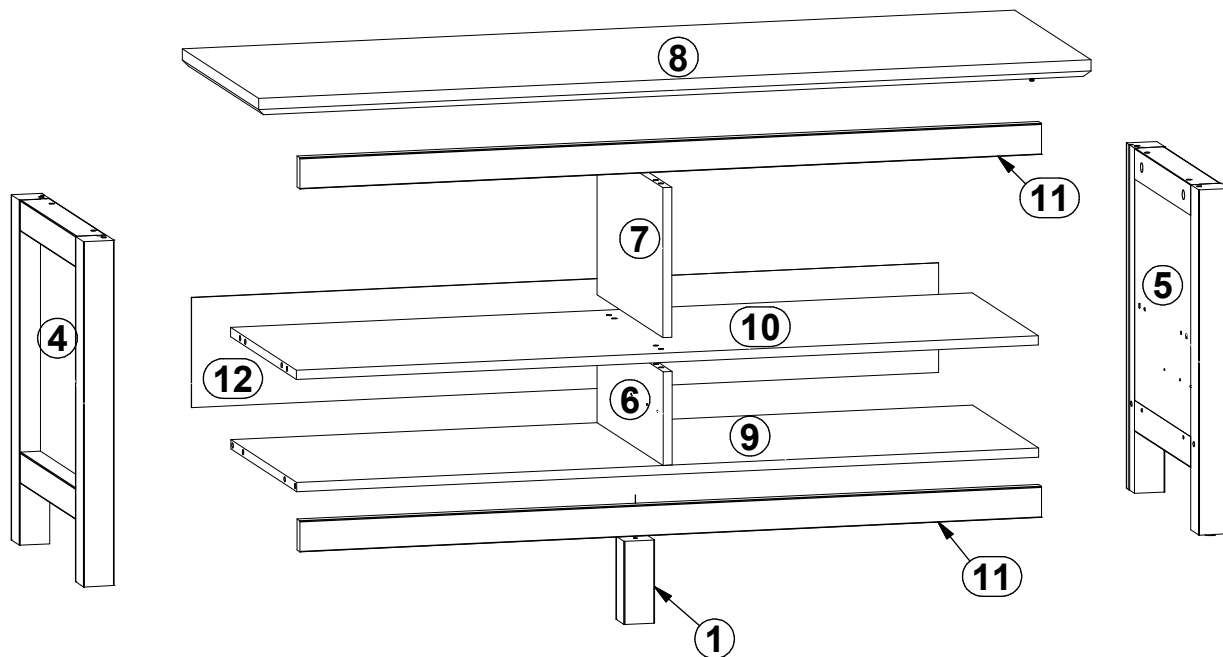
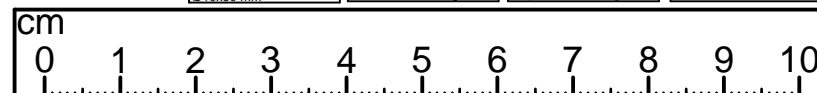


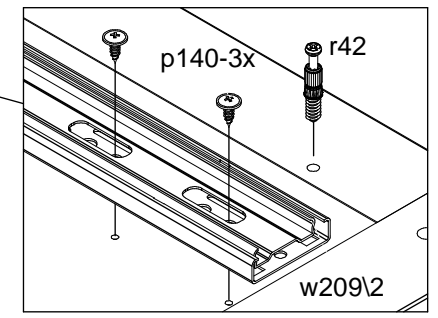
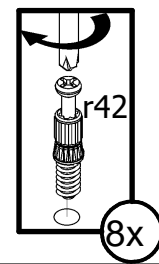
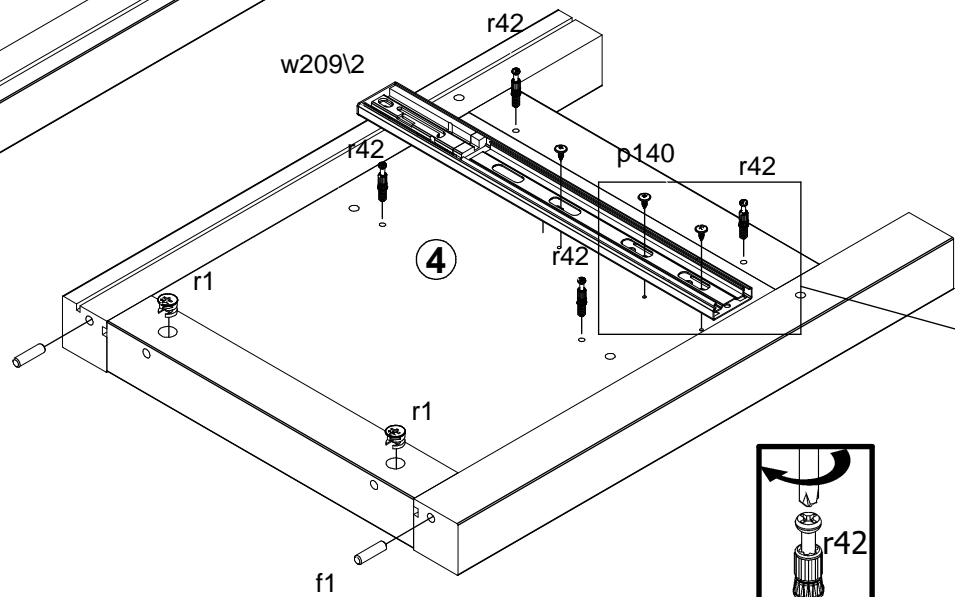
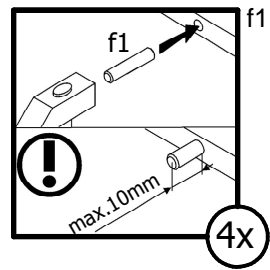
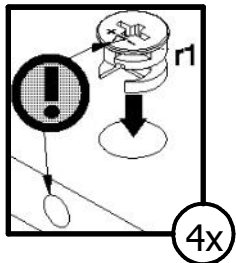
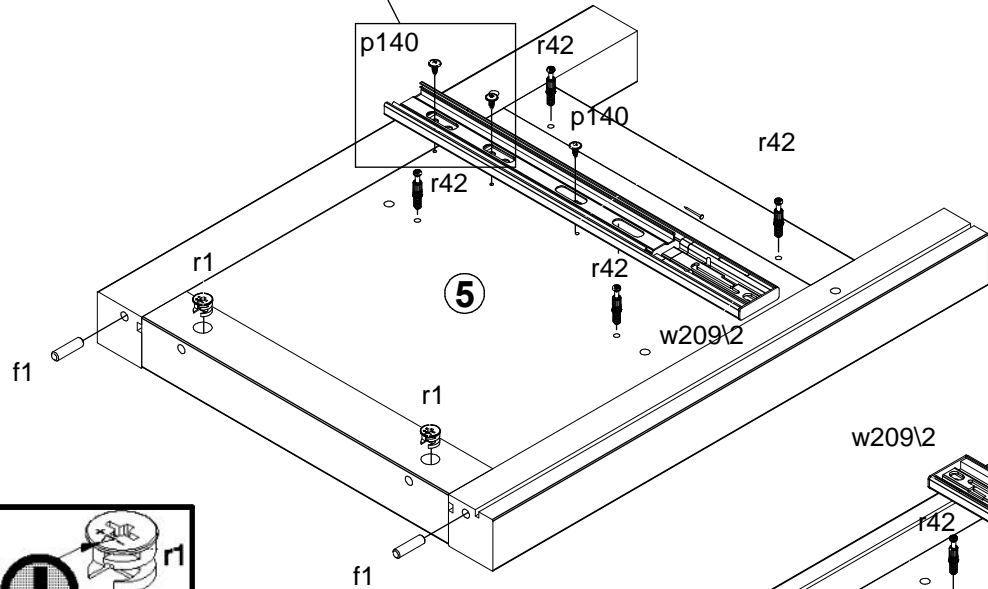
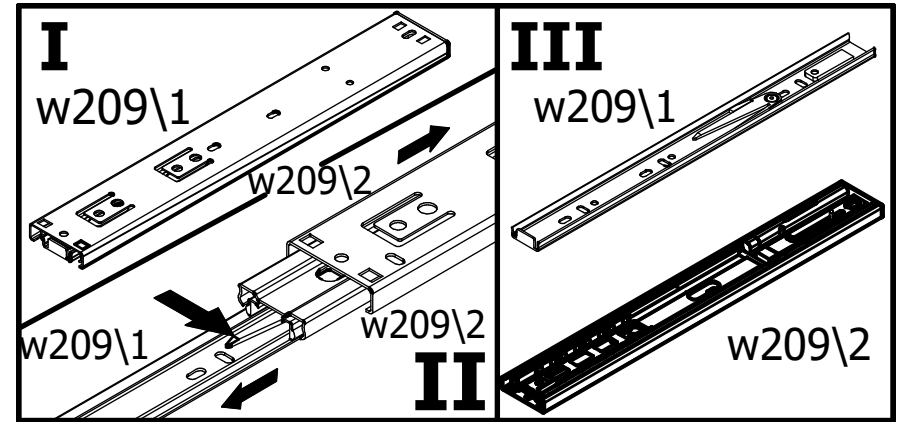
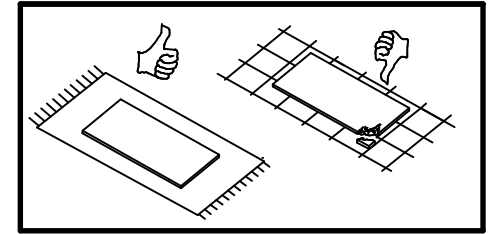
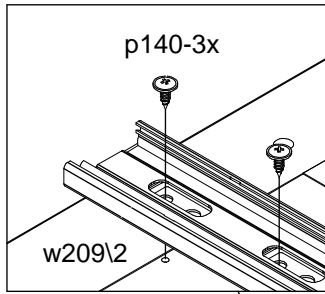
A	B	C1	C2	C3	D
1	S503-5005	134	50	50	1/2
2	S515-0011	606	160	15	2/2
3	S515-0012	606	160	15	2/2
4	S515-1018	557	445	50	1/2
5	S515-1019	557	445	50	1/2
6	S515-1020	151	405	15	1/2
7	S515-1021	242	405	15	1/2
8	S515-2007	1370	470	28	1/2
9	S515-3014	1221	405	15	2/2
10	S515-3015	1221	405	15	2/2
11	S515-5206	1221	50	19	1/2
12	S515-9006	1230	177	2,5	2/2
13	WSP-9129	366	508	2,5	1/2
14	ZK3-5080	553	97	15	2/2
15	ZK4-525	400	110	12	1/2
16	ZK4-526	400	110	12	1/2



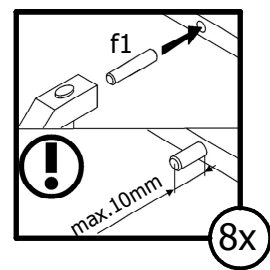
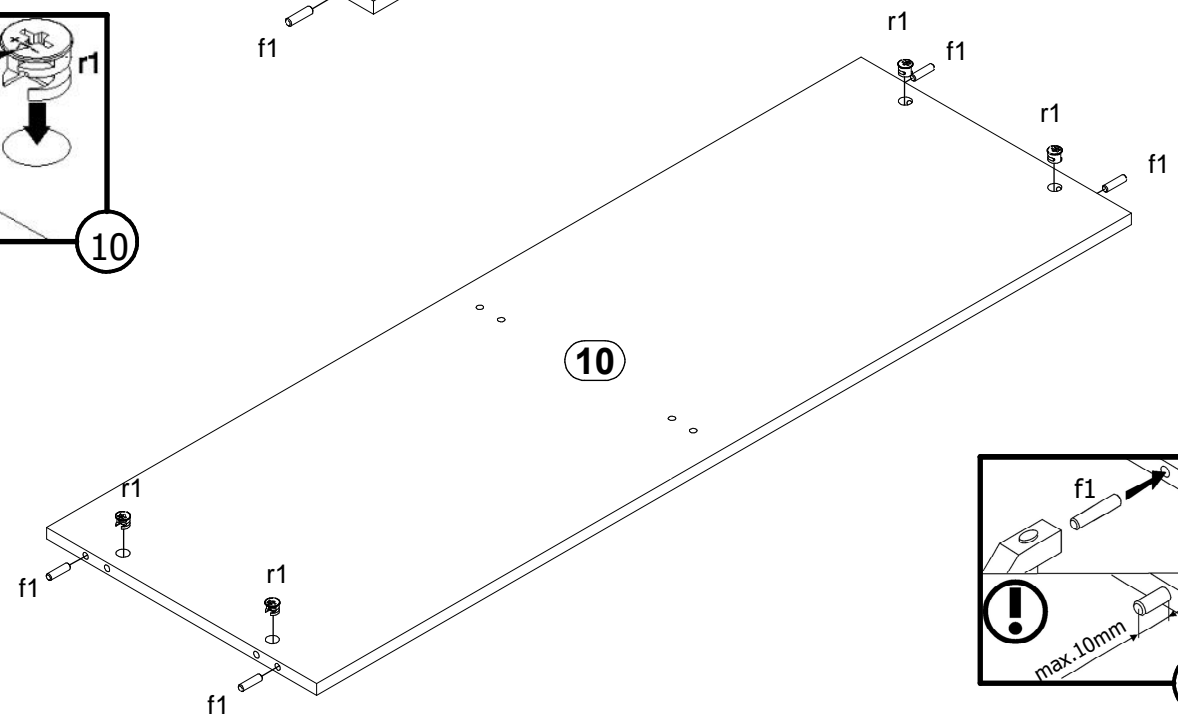
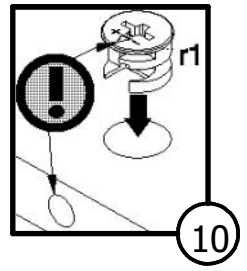
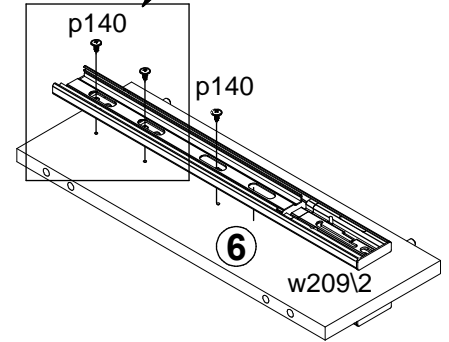
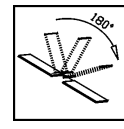
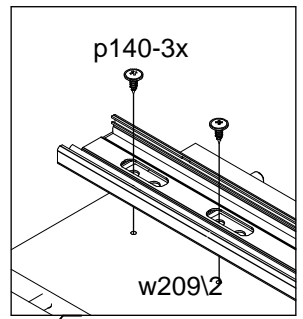
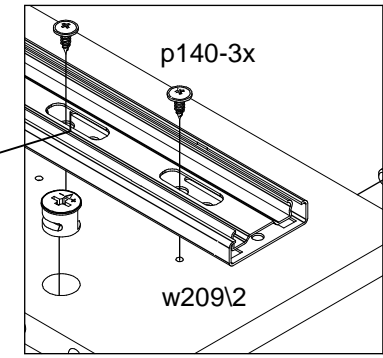
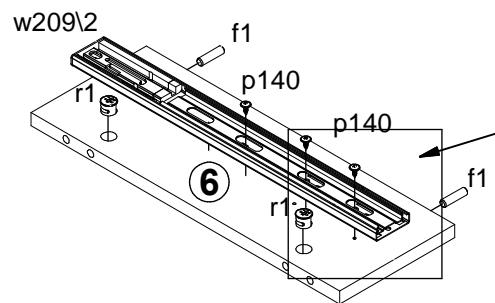
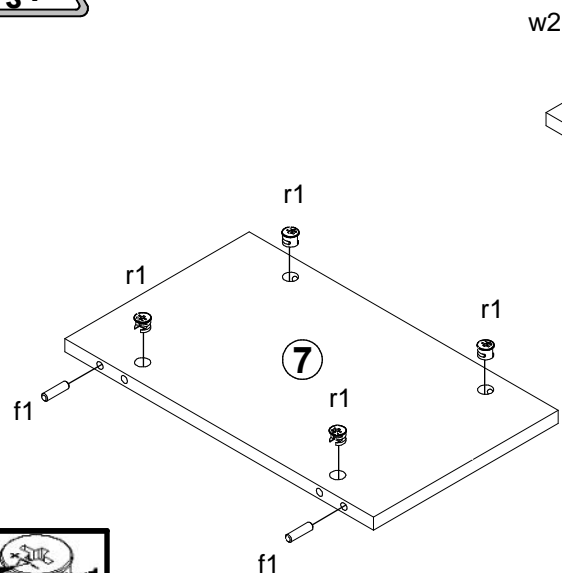
2x C475	2x M4x22 mm j30	5x k1	24x l1
6x d41\2	2x l2	36x Ø3,5x16 mm p38	4x Ø6x30 mm f9
3x Ø7x50 mm e1	18x Ø15x12 mm #16 r1	22x 20\11 r42	6x Ø16 s2
8x Ø6,5x40 mm f25	8x Ø12x10,5 mm #12 r15	16x Ø8x30 mm f1	24x Ø3,5x12 mm p140
2x Ø3,5x16 mm p25	2x Ø3,5x10 mm p35	2x 400 mm t33	2x r10
1x z1	2x Ø8x50 mm f6	4x L=400 mm w209\1	4x L=400 mm w209\2
1x Ø10x50 mm f35	1x Ø5x60 mm p17	2x Ø3,5x16 mm p38	1x 88x21x15\1,5 n14\2



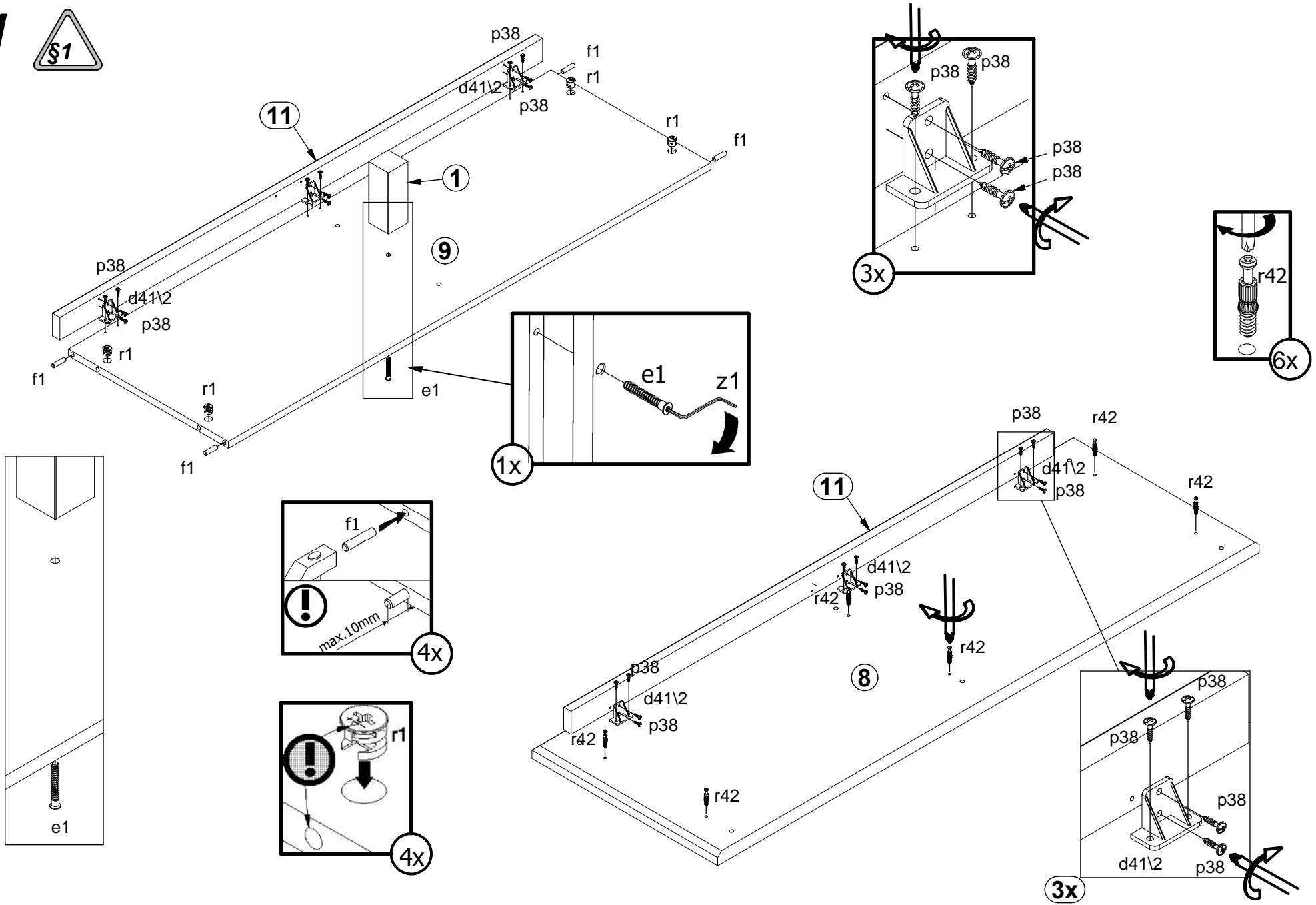
1 

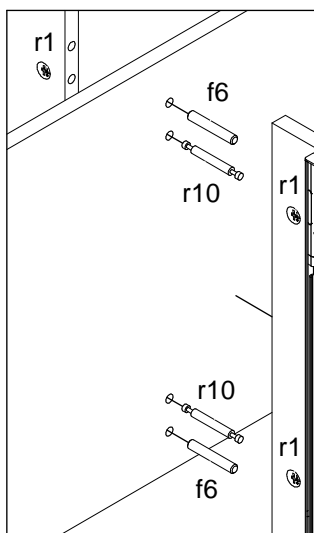
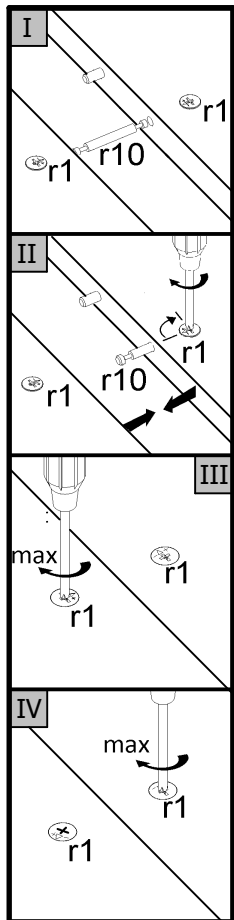


1 

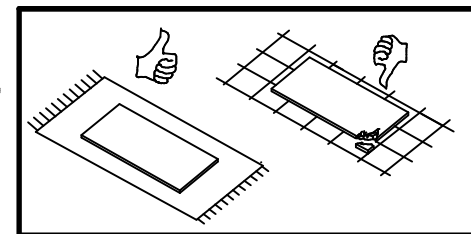
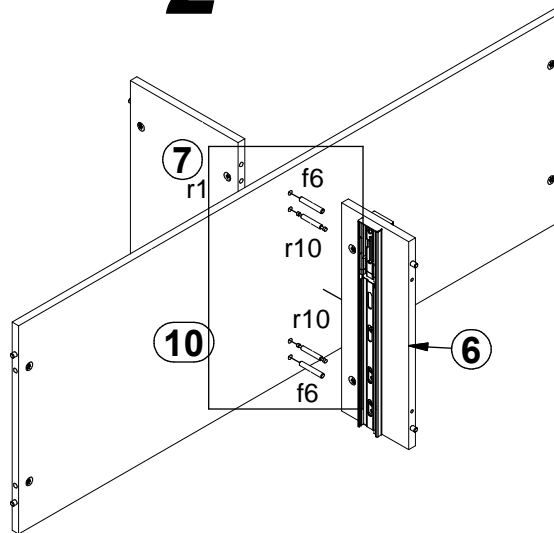


1

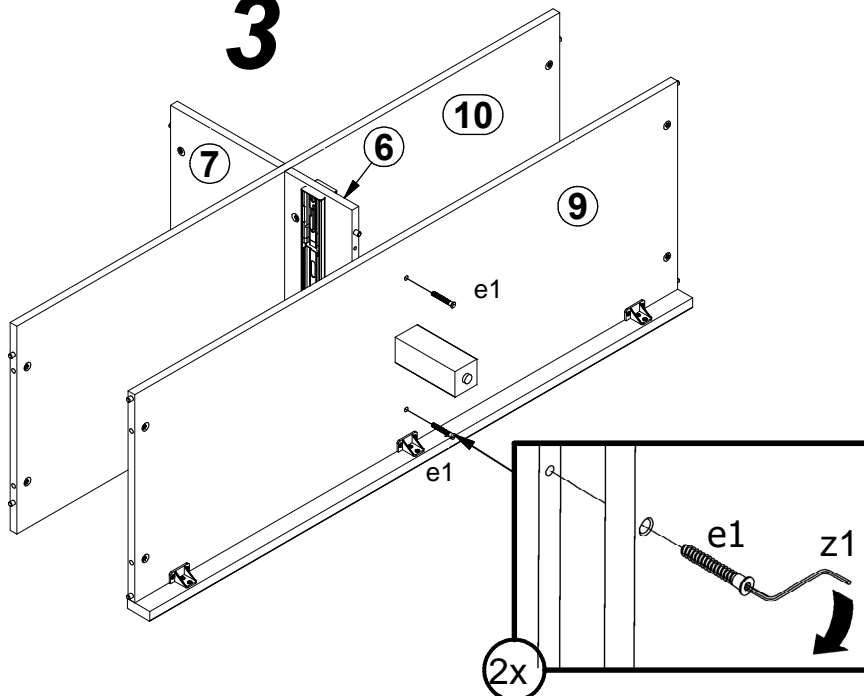




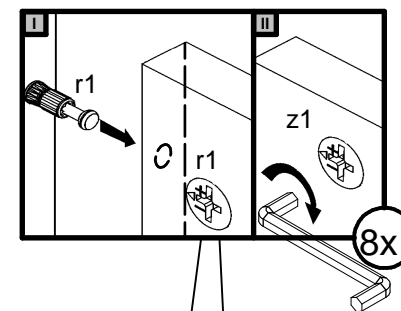
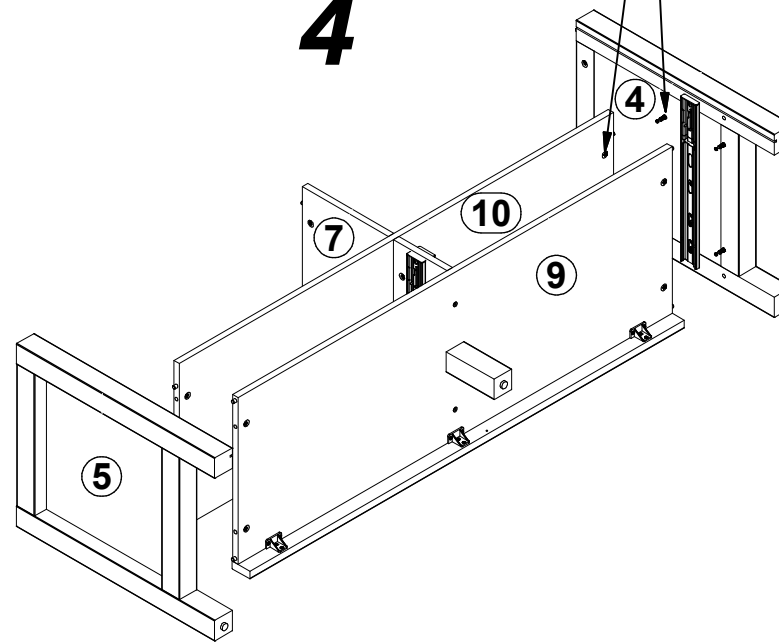
2



3



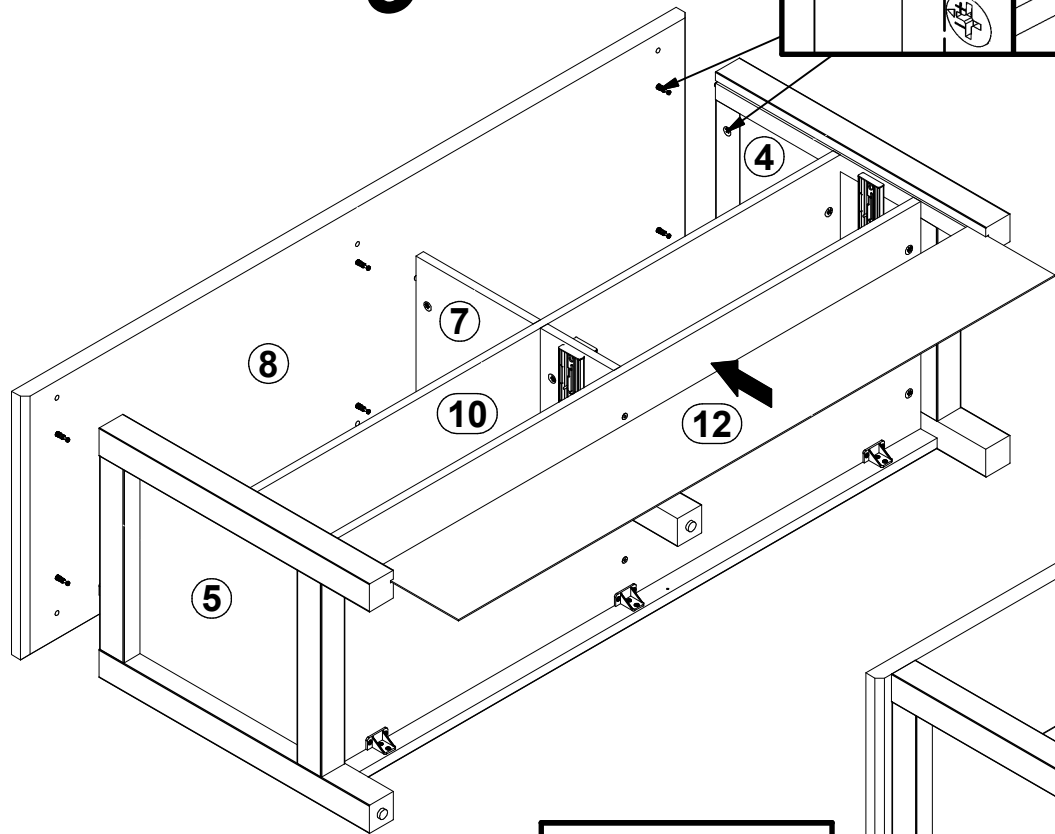
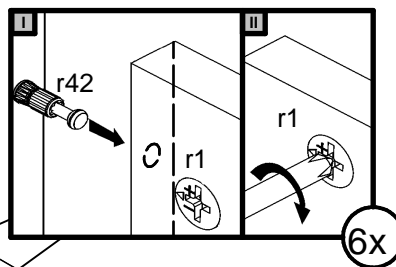
4



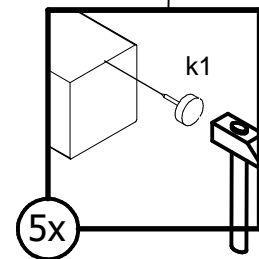
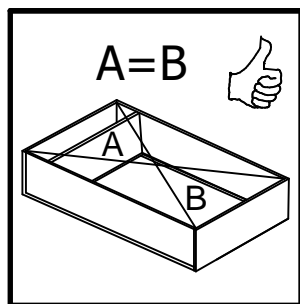
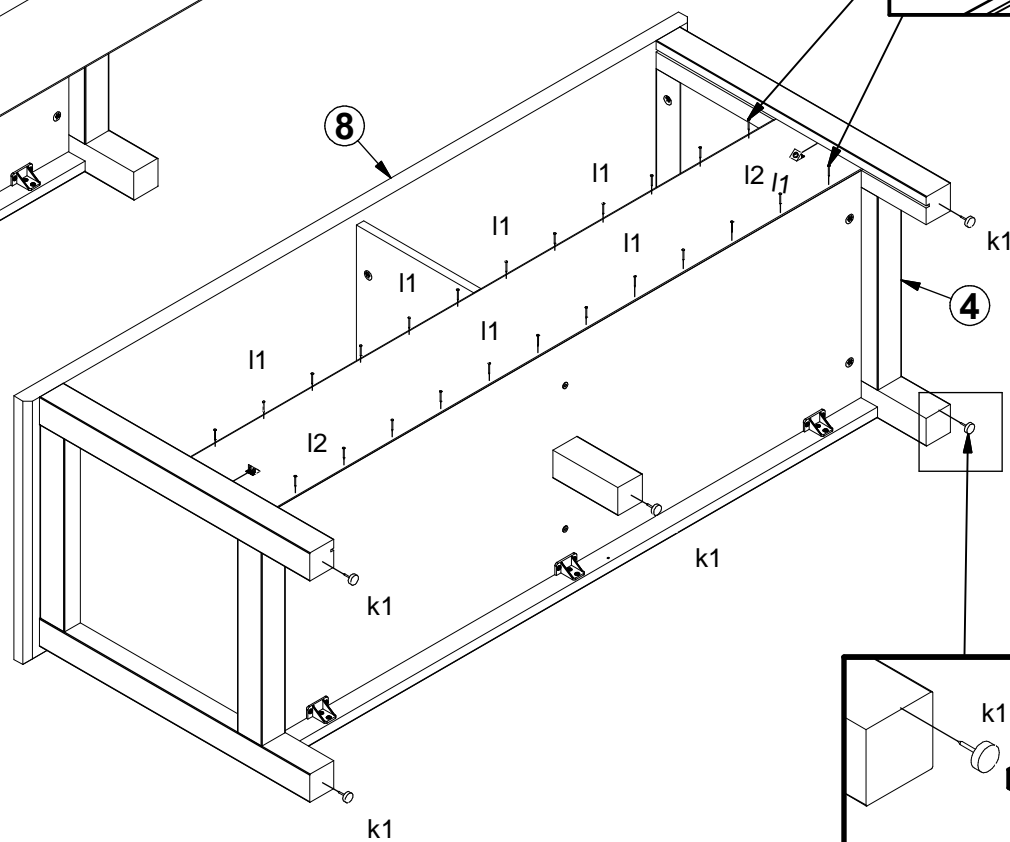
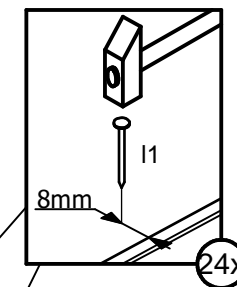
8x

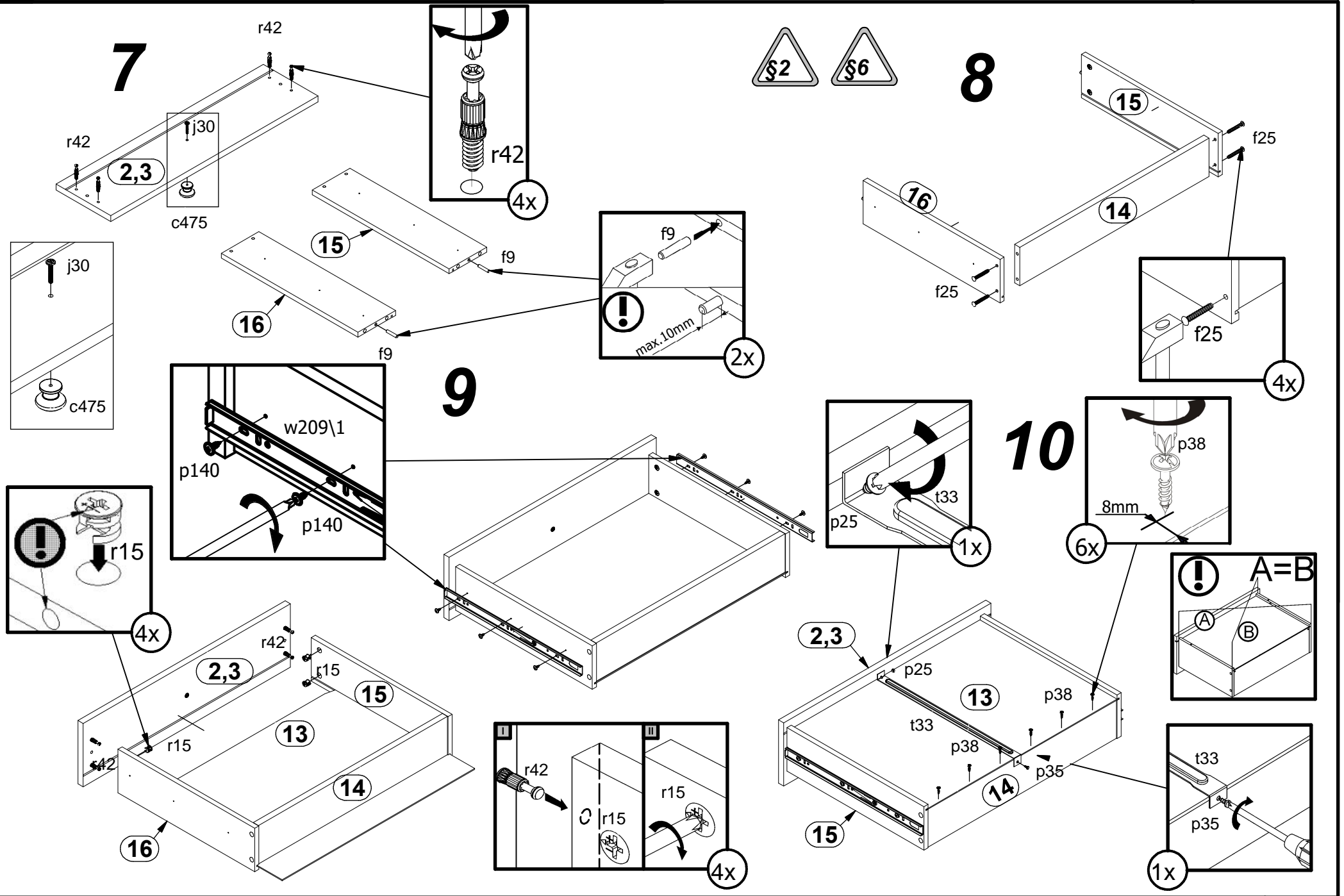


5

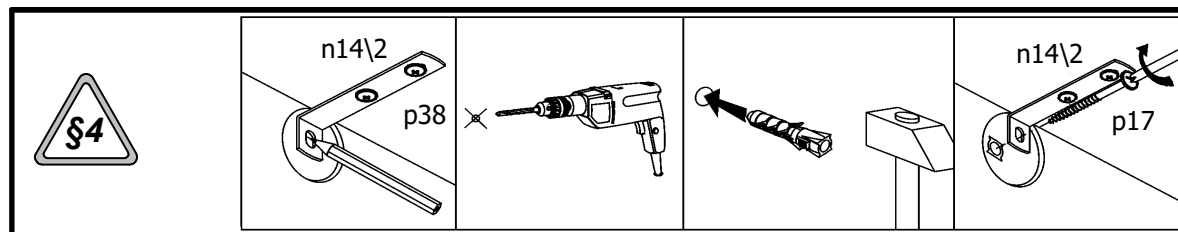


6

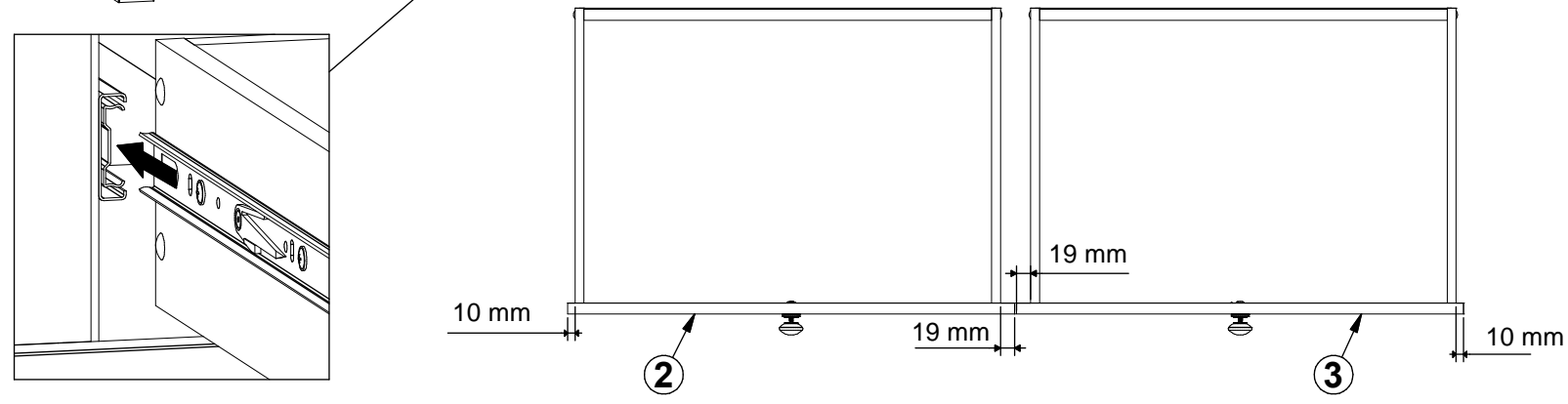
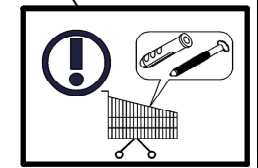
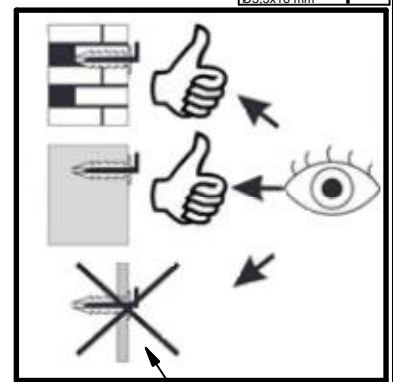
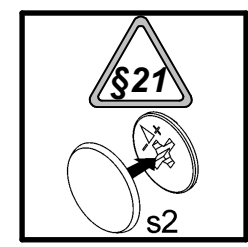
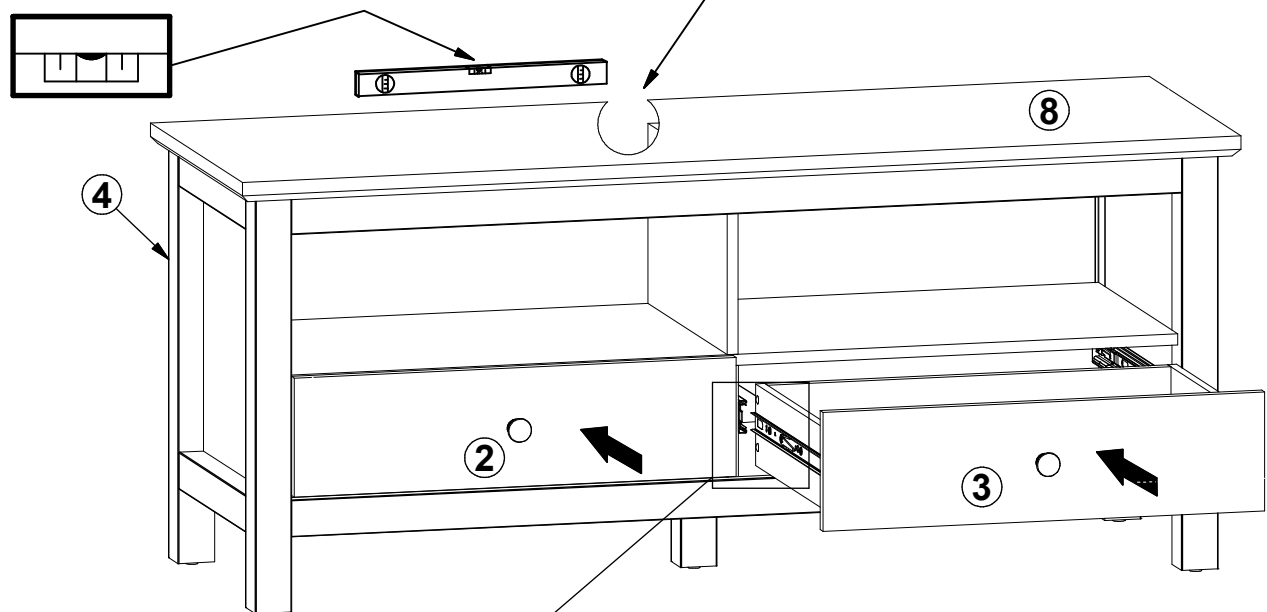




11



- 1x f35
Ø10x50 mm
- 1x n14\2
86x21x151.5
- 1x p17
Ø5x60 mm
- 2x p38
Ø3.5x16 mm



12

