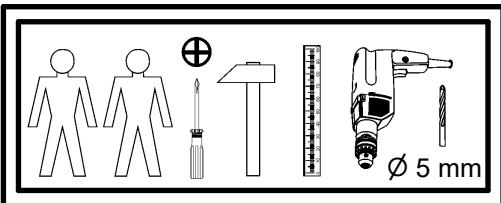
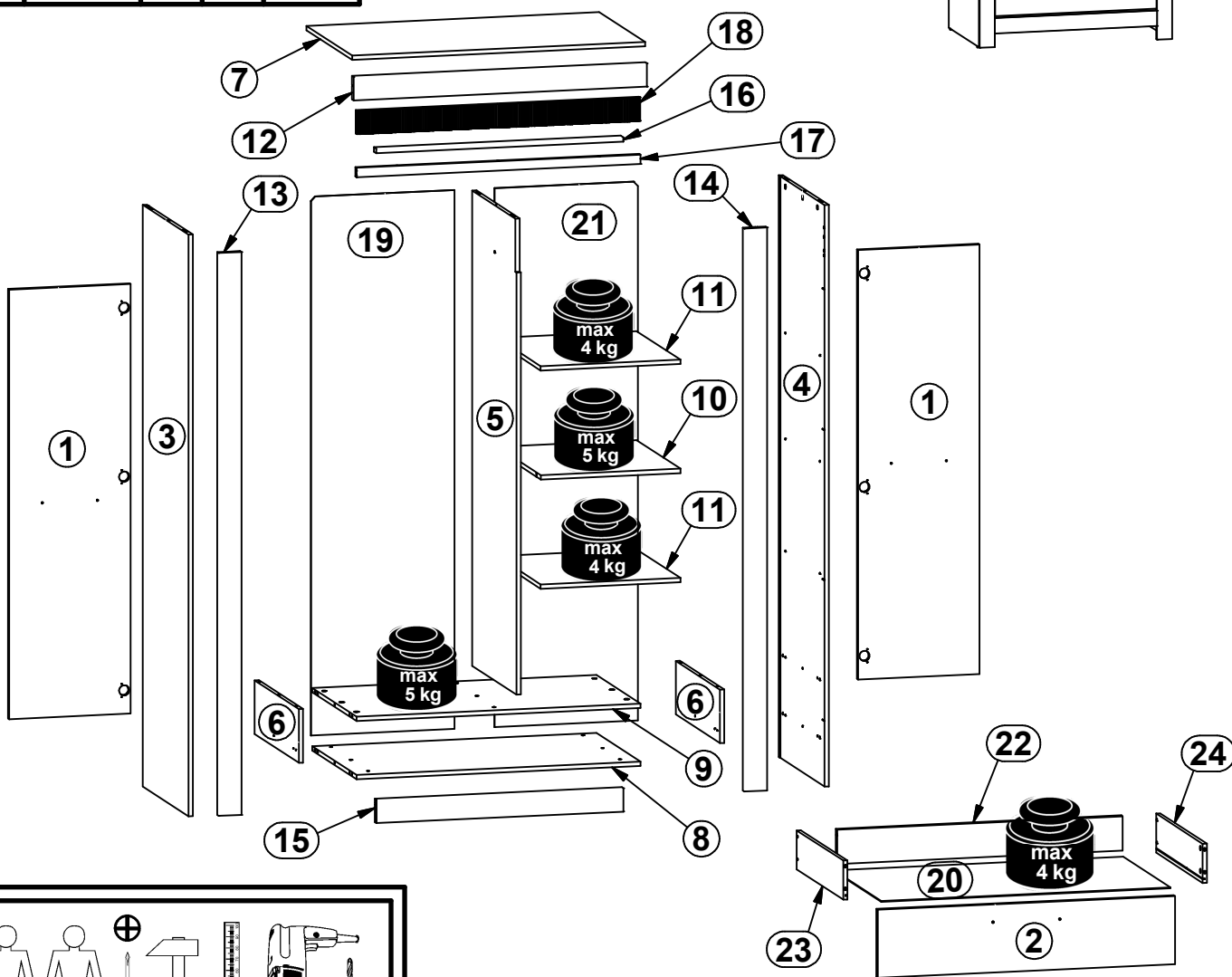
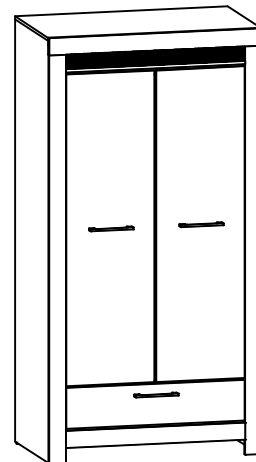
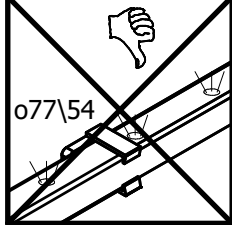
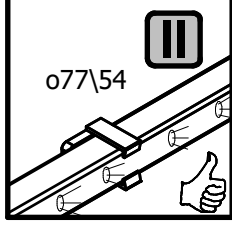
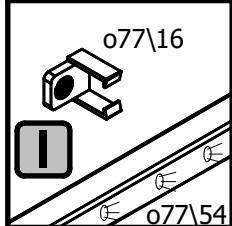
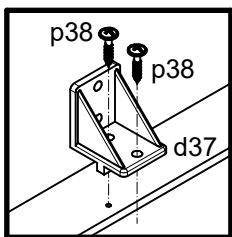
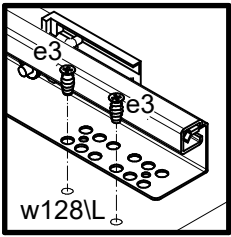
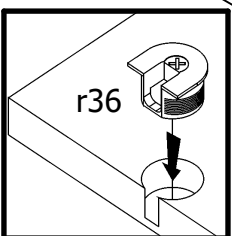
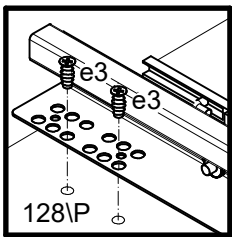
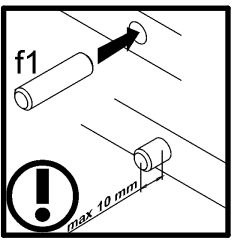
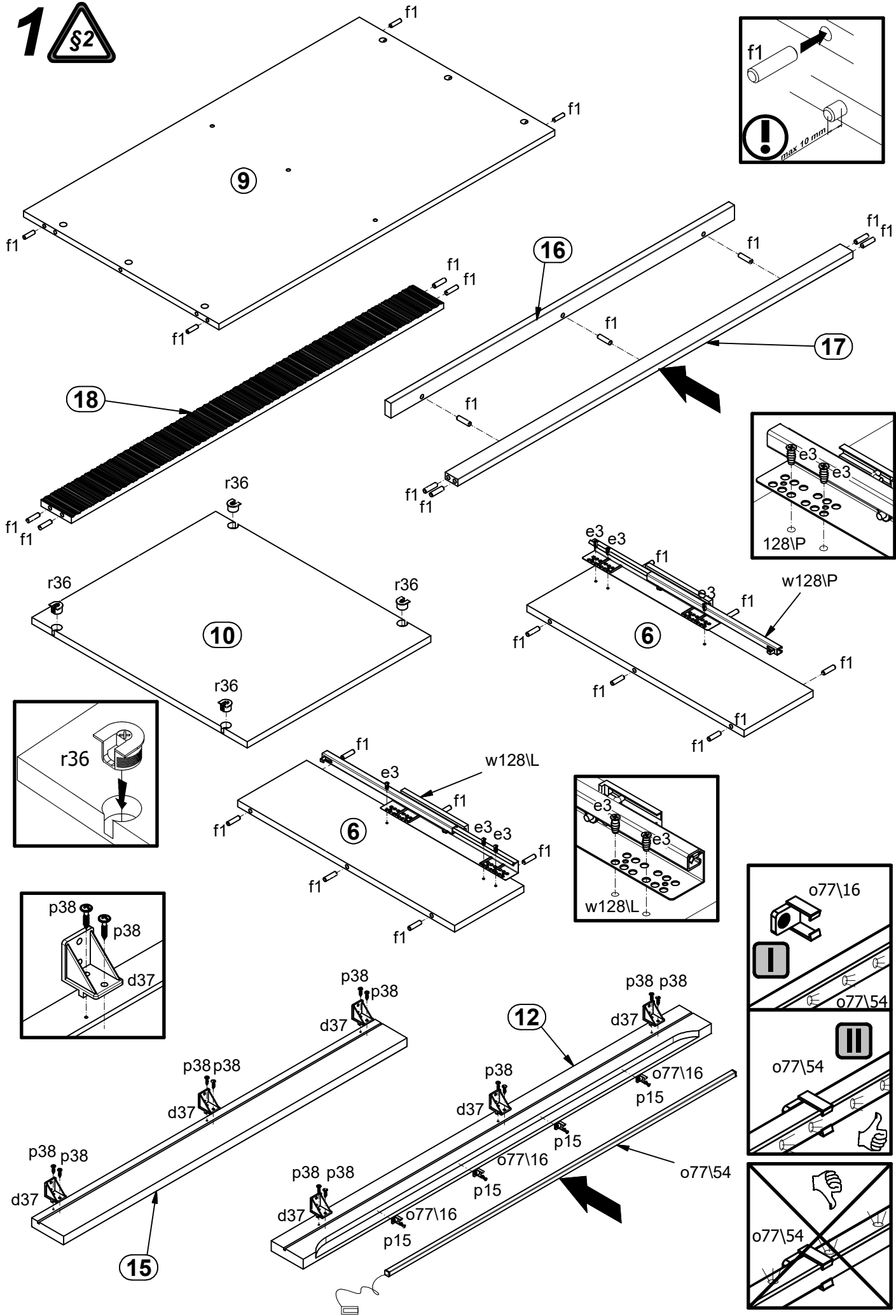


A	B	C	D	A	B	C	D		
1	S481-0010	1465	422	1/3	14	S481-5027	1920	80	2/3
2	S481-0011	854	192	3/3	15	S481-5028	859	80	3/3
3	S481-1013	1984	595	2/3	16	S481-5029	859	32	3/3
4	S481-1014	1984	595	2/3	17	S481-5030	988	32	3/3
5	S481-1015	1621	574	1/3	18	S481-5031	986	80	3/3
6	S481-1016	183	575	3/3	19	S481-9004	1838	499	2/3
7	S481-2005	1019	595	3/3	20	S481-9005	831	507	3/3
8	S481-3009	988	575	3/3	21	S481-9006	1838	499	2/3
9	S481-3010	988	575	3/3	22	ZQ6-5218	821	97	3/3
10	S481-3011	486	570	1/3	23	ZQ6-523	500	110	3/3
11	S481-3012	486	570	1/3	24	ZQ6-524	500	110	3/3
12	S481-5025	1020	80	3/3	25	dr-480	480	22	3/3
13	S481-5026	1920	80	2/3					

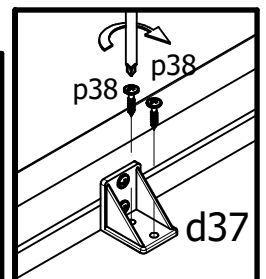
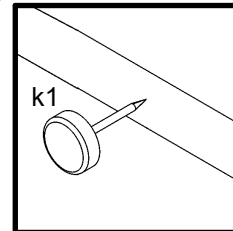
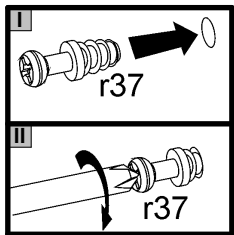
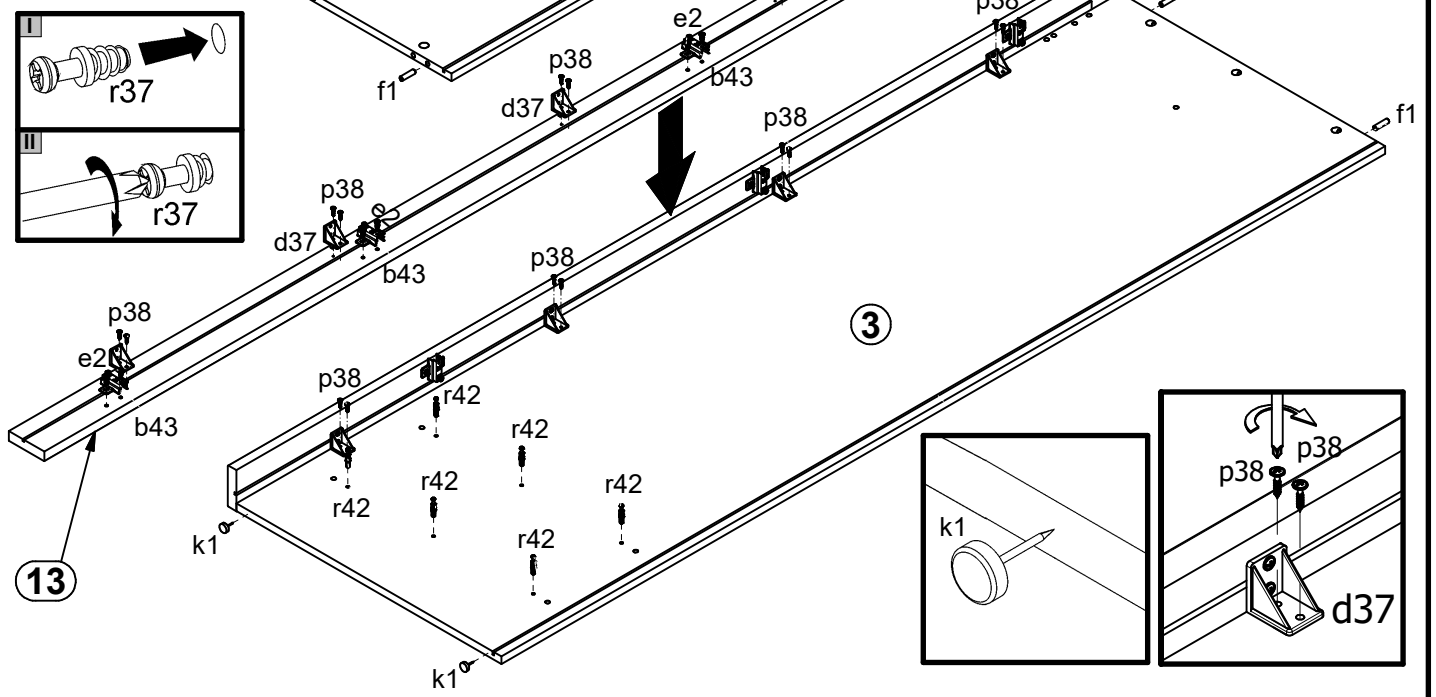
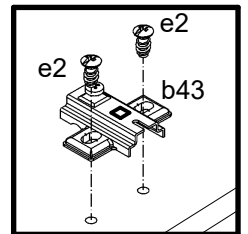
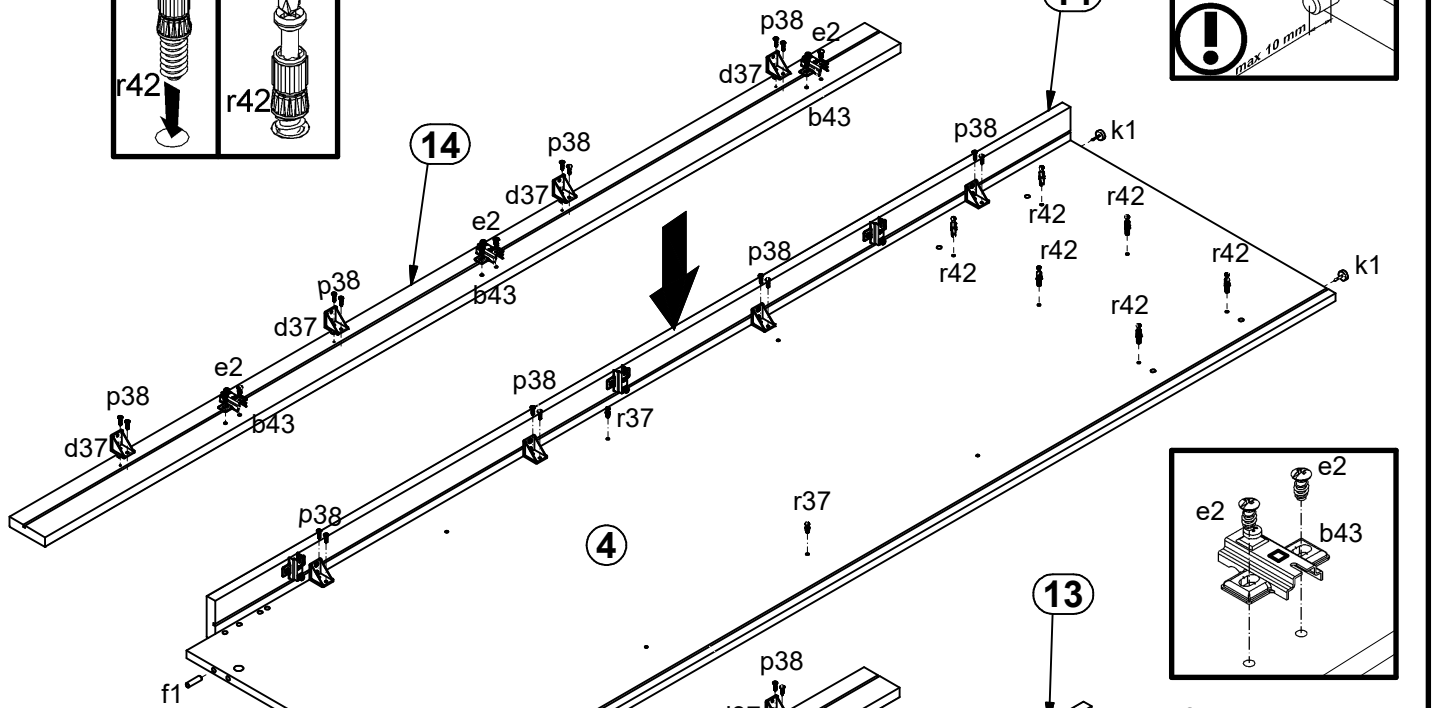
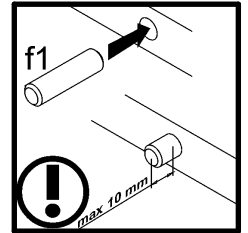
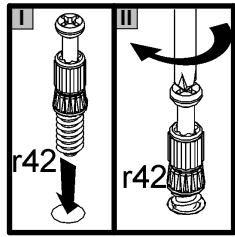
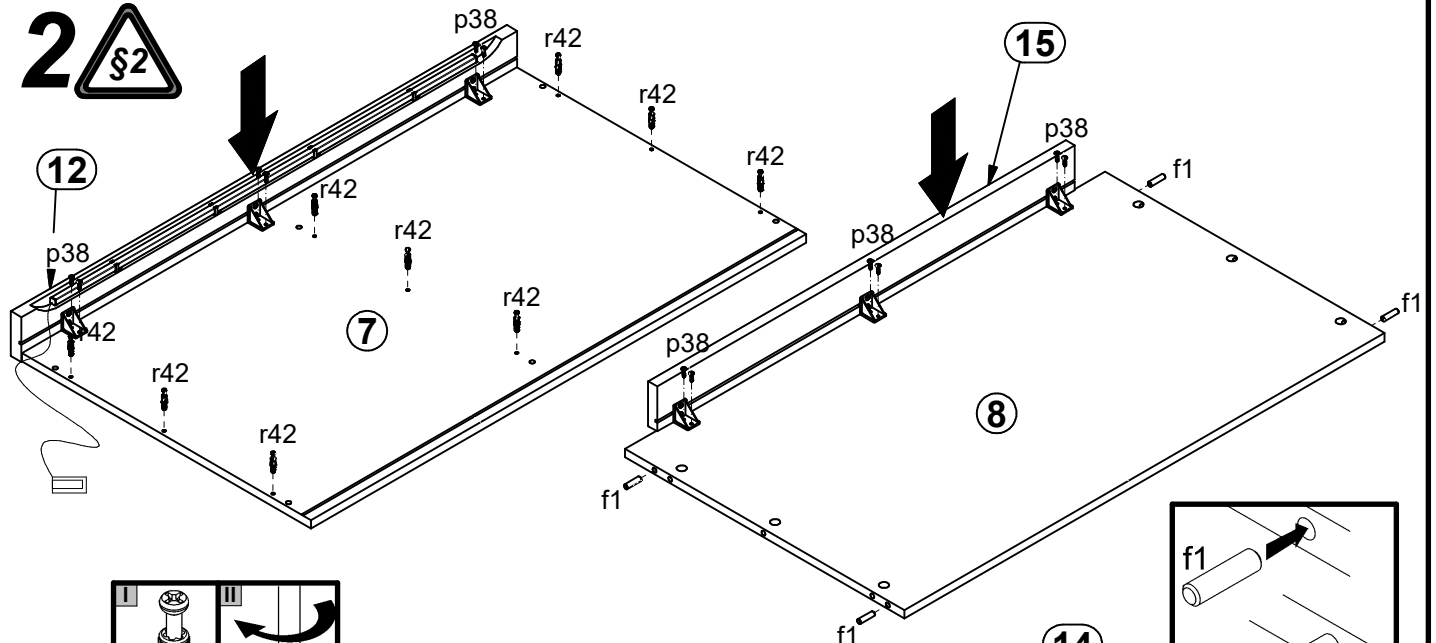


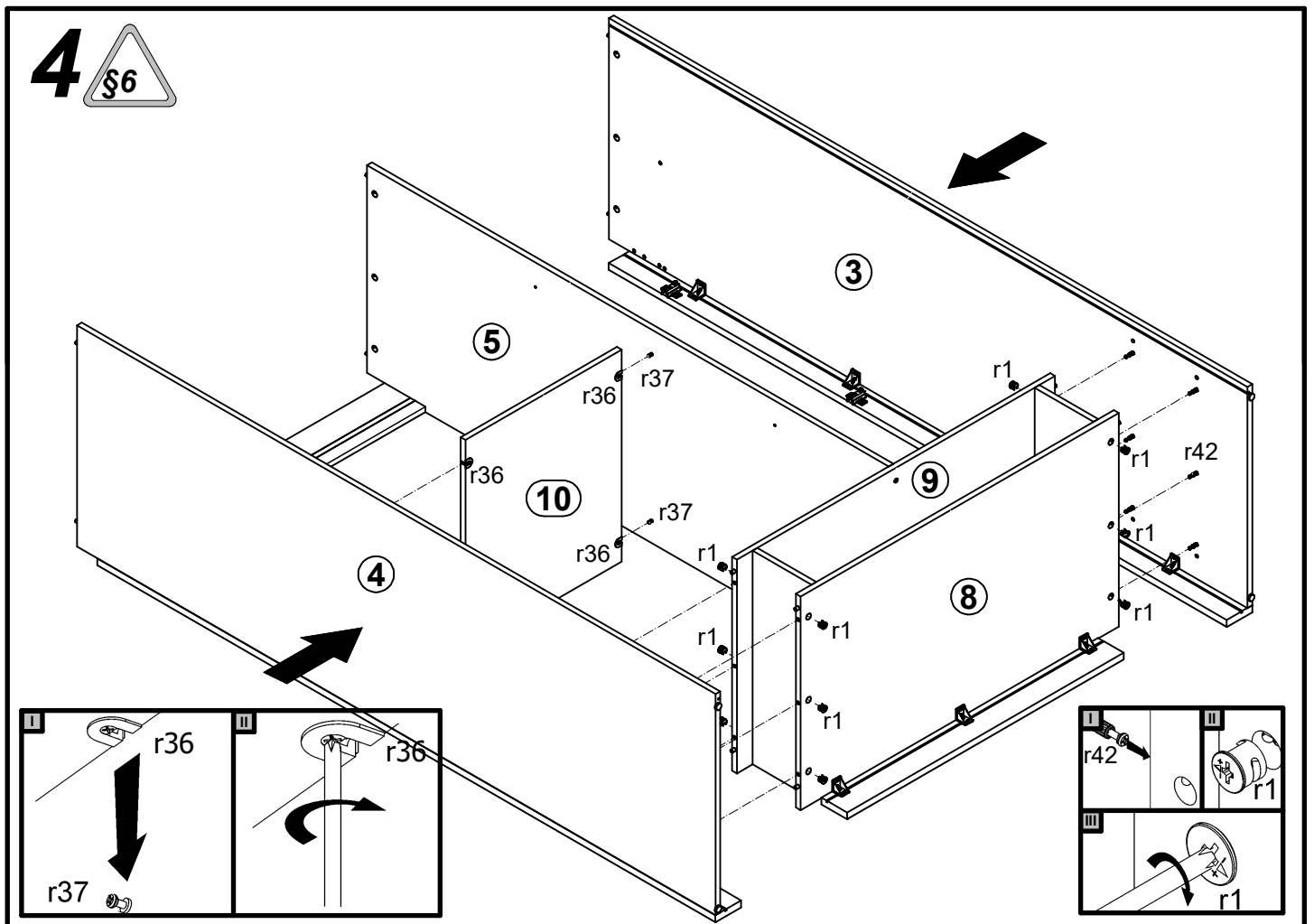
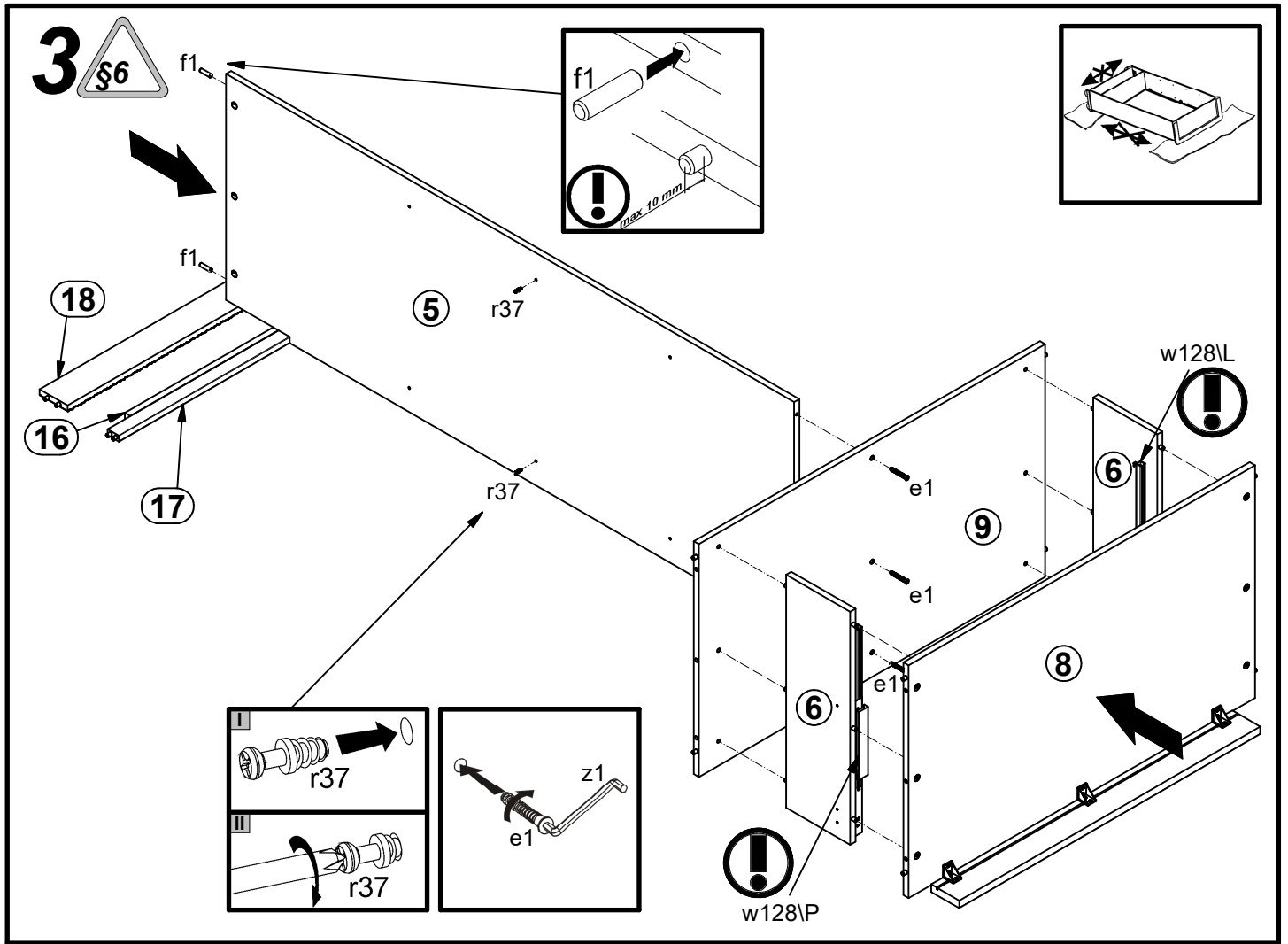
14x d37	3x e1 Ø7x50 mm	12x e2 Ø6,3x13 mm	6x e3 Ø6x13 mm	37x f1 Ø8x30 mm	4x f25 Ø6,5x40 mm	6x j30 M4x22 mm	4x k1	12x l2
2x n1 h=22mm	8x n108 22x9,5x20,7 mm	1x o70/9 1P 6W	4x o77/16	1x o77/54 L=865 mm 10x10 mm	2x o83/9 10x18 mm	2x p1 Ø3,5x13 mm	4x p15 Ø2,5x13 mm	1x p25 Ø3,5x16 mm
1x p35 Ø3,5x10 mm	62x p38 Ø3,5x16 mm	12x p51 Ø3,5x15 mm	20x p55 Ø2,9x16 mm	21x r1 Ø15x12 mm #16	4x r15 Ø12x10,5 mm #12	4x r36 Ø20x12 mm #16	4x r37 6,77,8	25x r42 20/11
1x t34 500 mm	1x w128/L 500 mm	1x w128/P 500 mm	9x s68 Ø 20mm	1x z1 4 mm	1x n14/2 86x21x15/1,5	1x f35 Ø10x50 mm	1x p17 Ø5x60 mm	2x p38 Ø3,5x16 mm

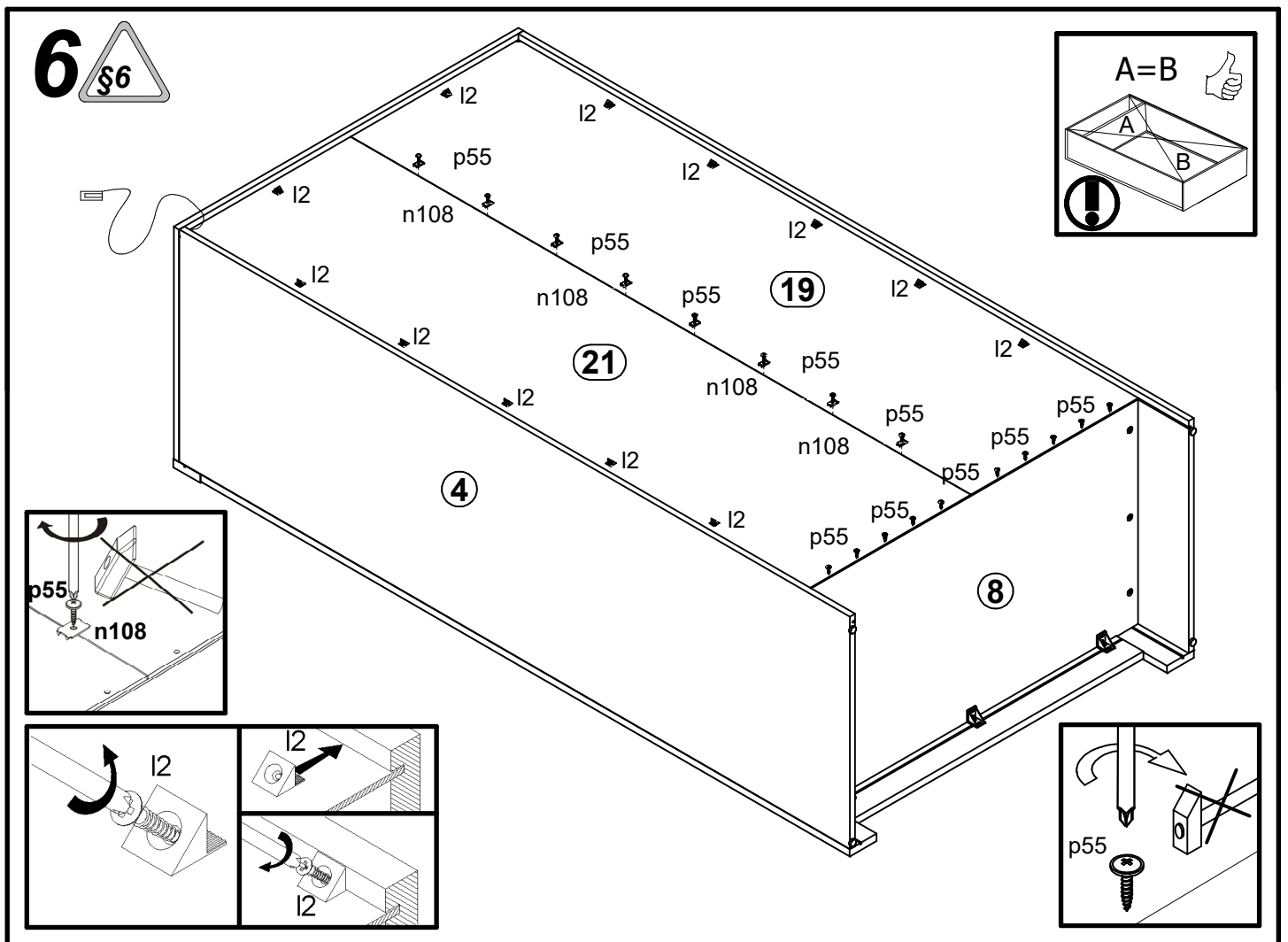
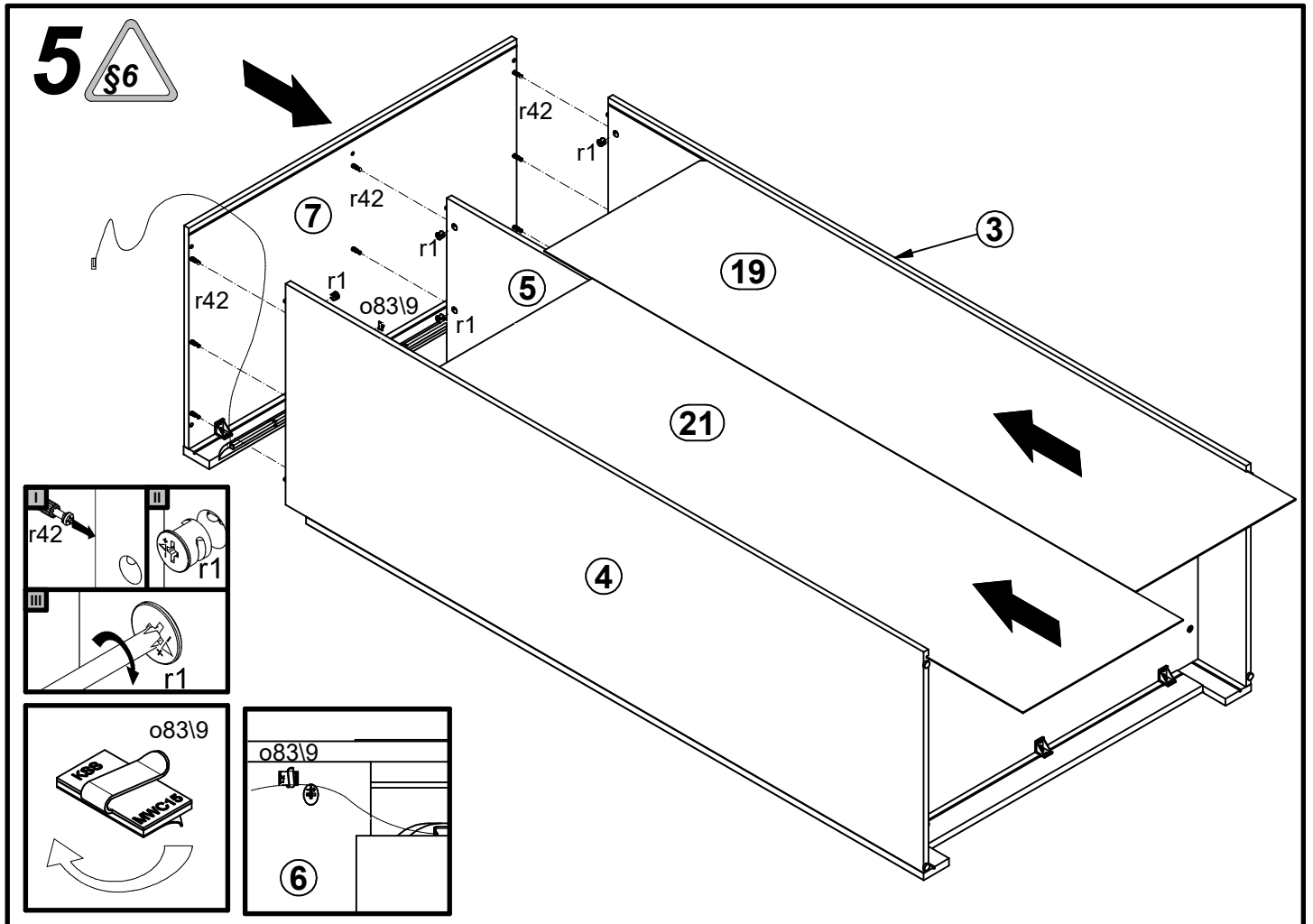
1 



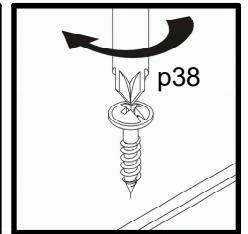
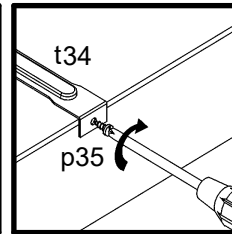
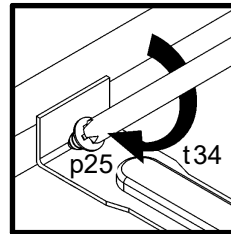
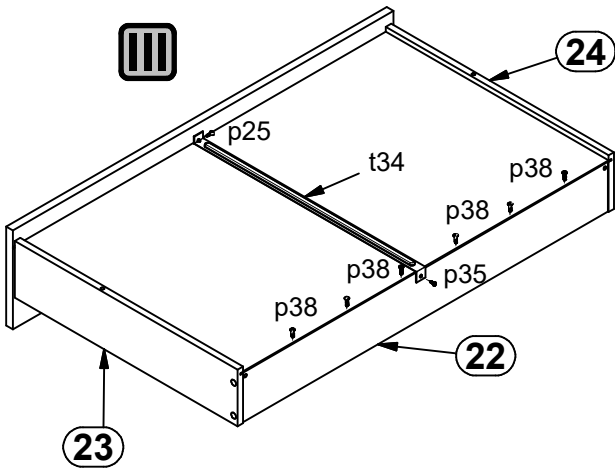
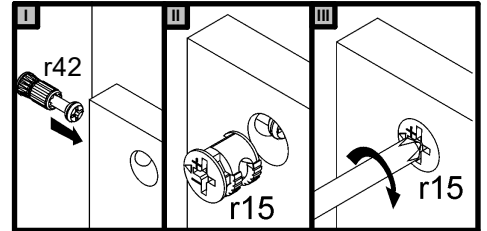
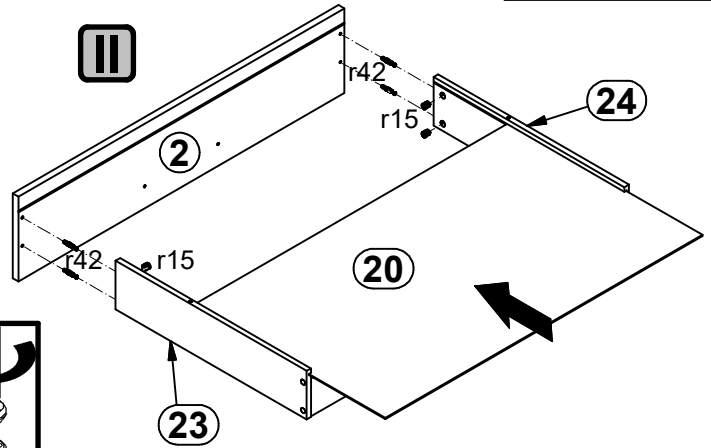
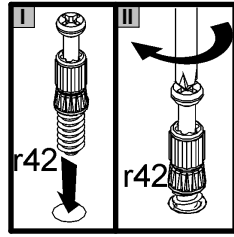
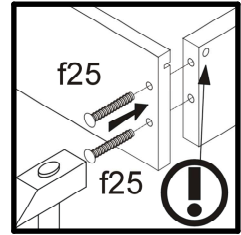
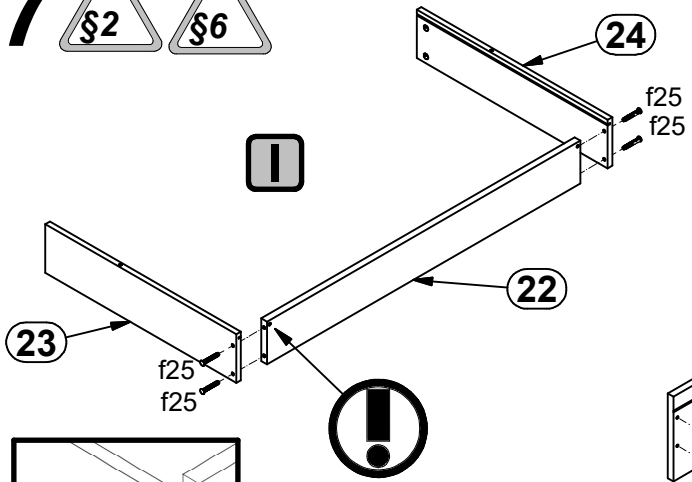
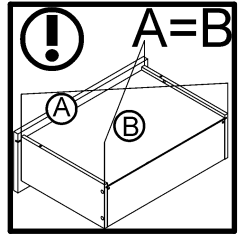
2



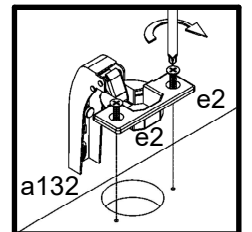
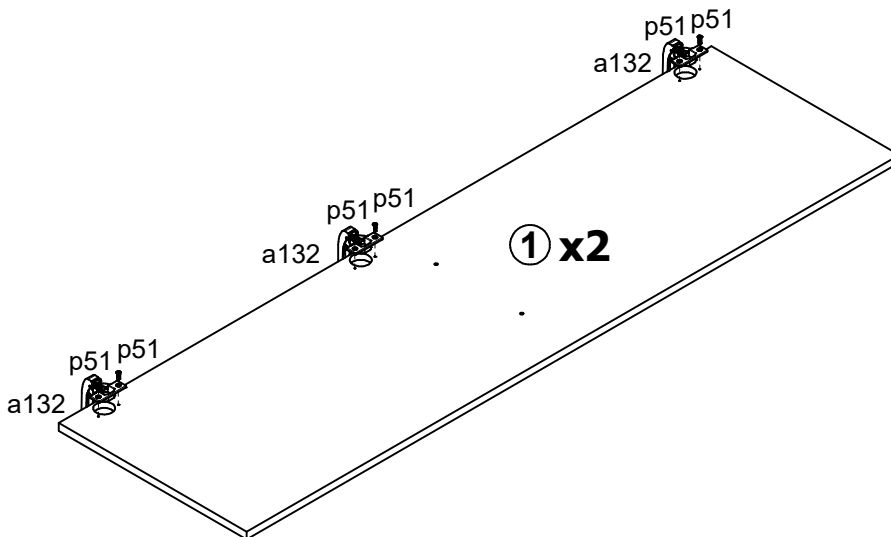




7 §2 §6



8 §2



9 §6

