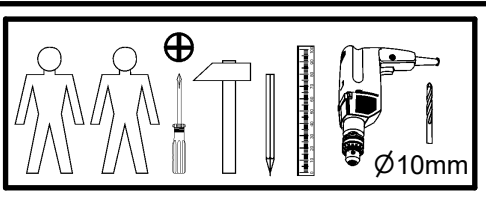
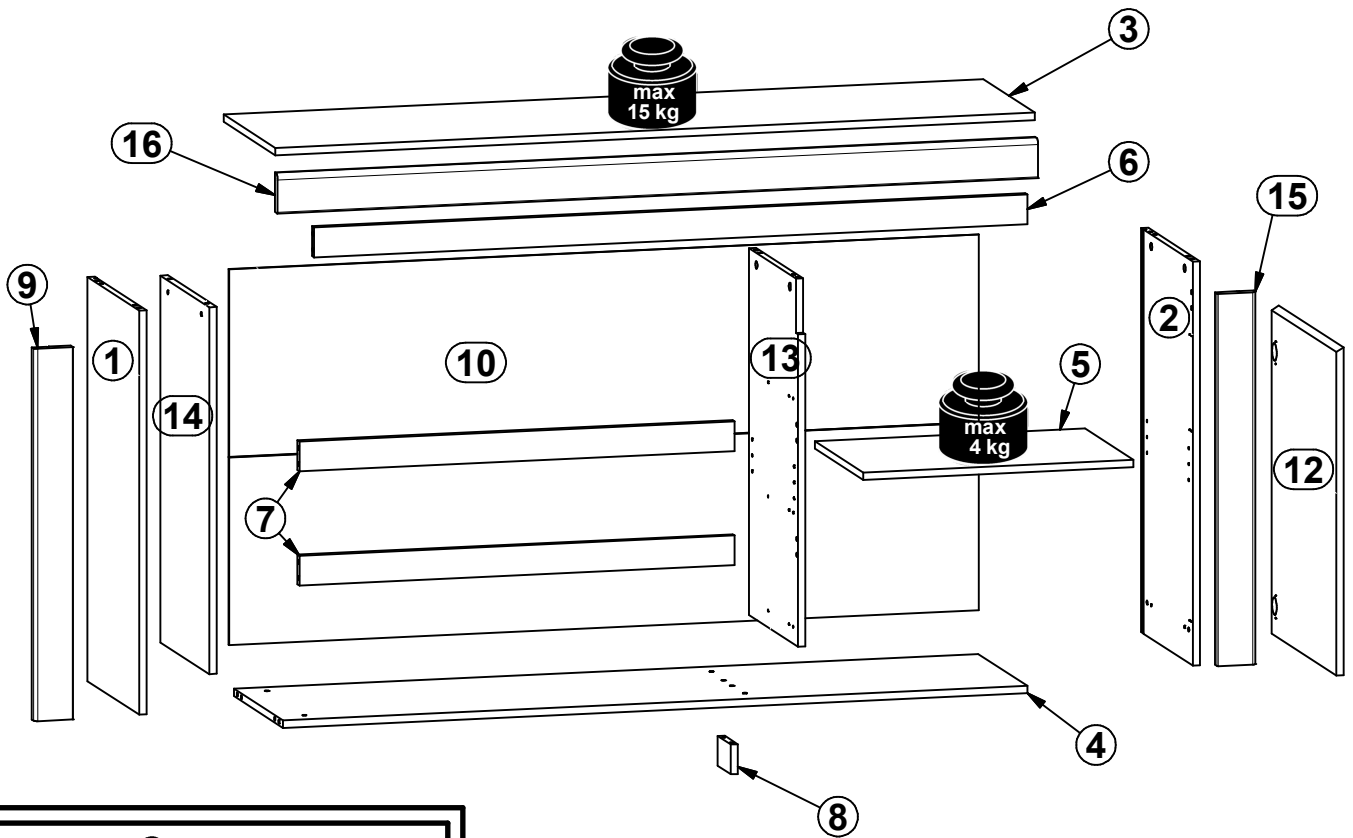
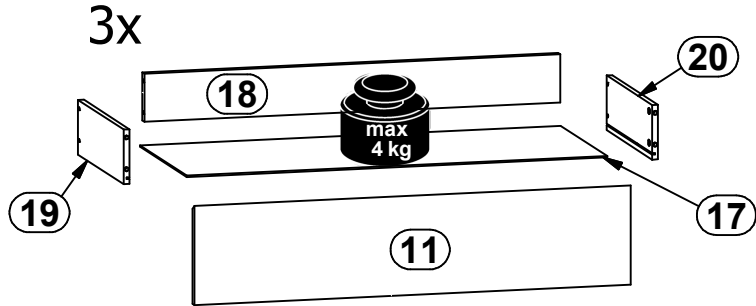
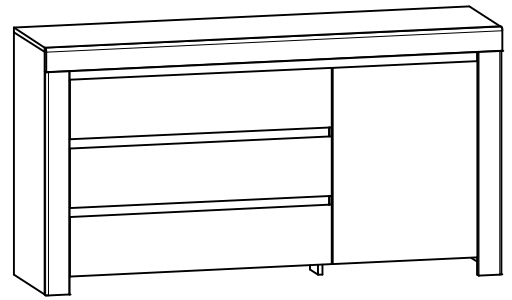
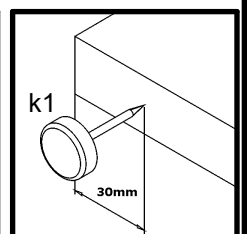
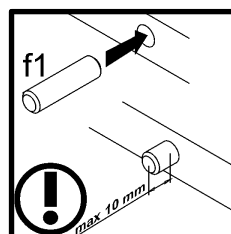
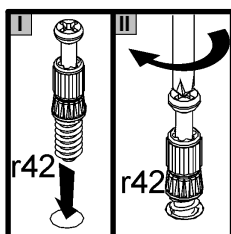
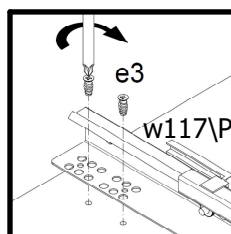
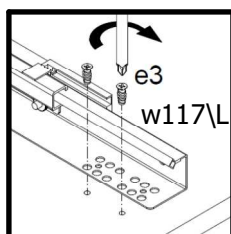
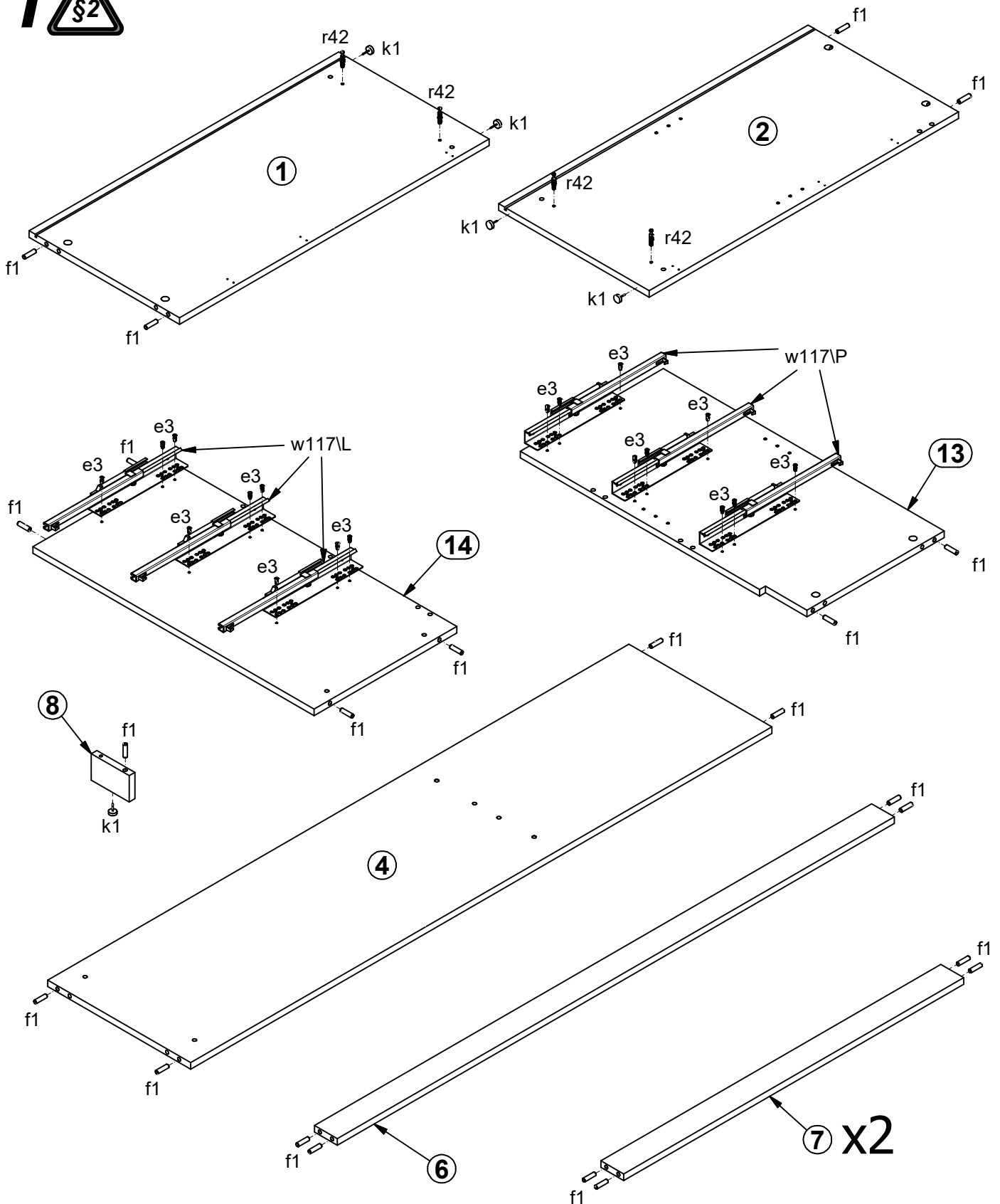


A	B	C	D	
1	S440-1027	814	396	1/2
2	S440-1028	814	396	1/2
3	S440-2007	1560	396	2/2
4	S440-3018	1529	376	2/2
5	S440-3019	555	370	1/2
6	S440-4023	1465	60	2/2
7	S440-4024	894	60	2/2
8	S440-5015	100	60	2/2
9	S440-5033	750	80	1/2
10	S440-9305	1540	757	2/2
11	S493-0014	896	200	2/2
12	S493-0015	496	660	2/2
13	S493-1029	739	376	1/2
14	S493-1030	739	376	1/2
15	S493-5034	750	80	1/2
16	S493-5103	1562	80	2/2
17	S493-9010	864	357	1/2
18	ZQ6-5097	854	97	2/2
19	ZQ6-519	350	110	1/2
20	ZQ6-520	350	110	1/2



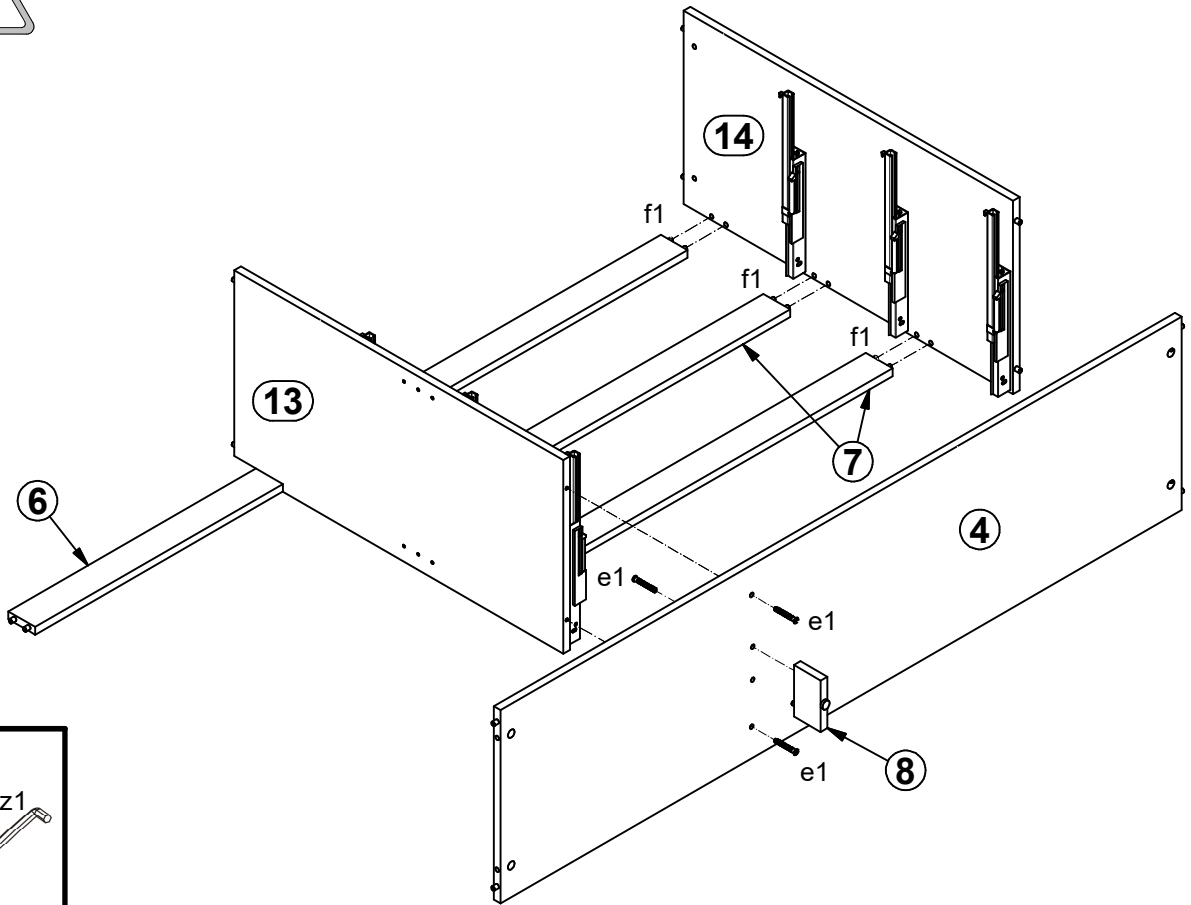
2x  a132	1x  a133	2x  b43	4x  d1 Ø5x17 mm	4x  d36	6x  d37	3x  e1 Ø7x50 mm	4x  e2 Ø6.3x13 mm	18x  e3 Ø6x13 mm
27x  f1 Ø8x30 mm	12x  f25 Ø6.5x40 mm	5x  k1	8x  l2	3x  p35 Ø3.5x10 mm	33x  p38 Ø3.5x16 mm	7x  p51 Ø3.5x15 mm	36x  p55 Ø2.9x16 mm	10x  r1 Ø15x12 mm #16
12x  r15 Ø12x10.5 mm #12	22x  r42 20/11	2x  s68 Ø 20mm	3x  t35 350 mm	3x  w117/L 350 mm	3x  w117/P 350 mm	1x  z1 4 mm	1x  n26	

1 

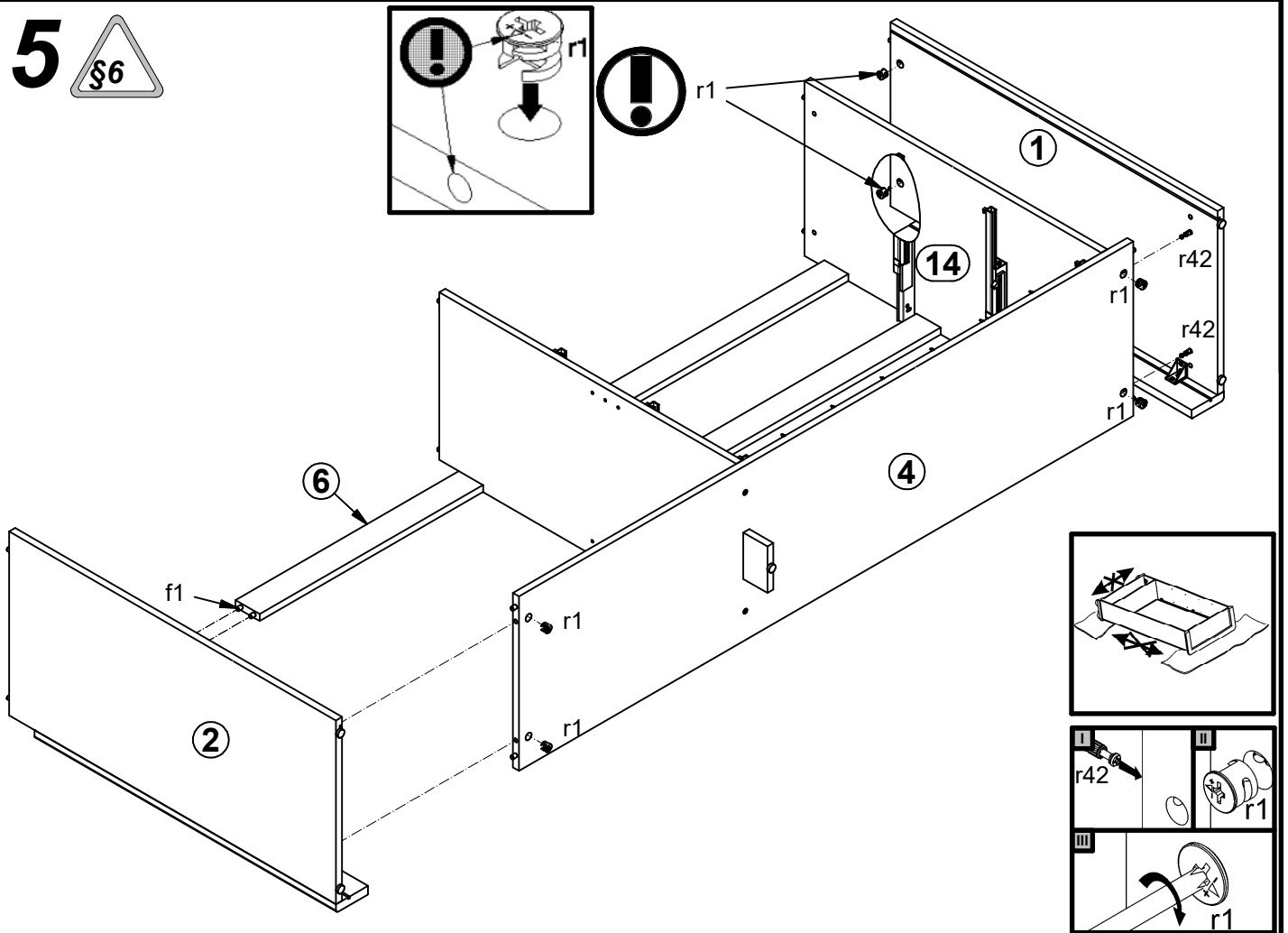




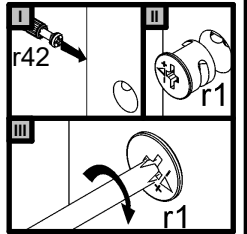
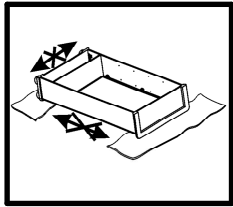
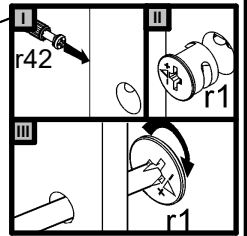
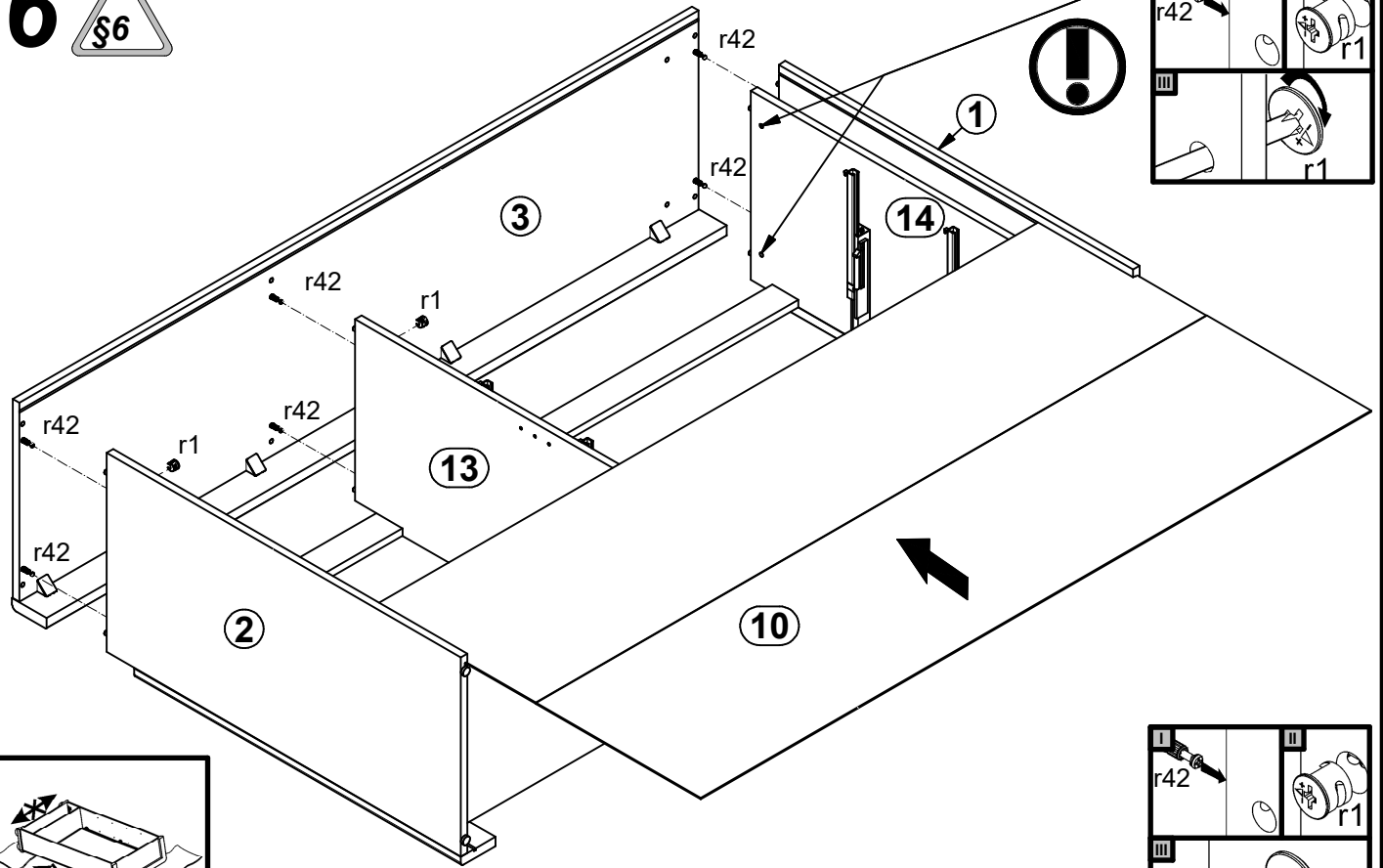
# 4

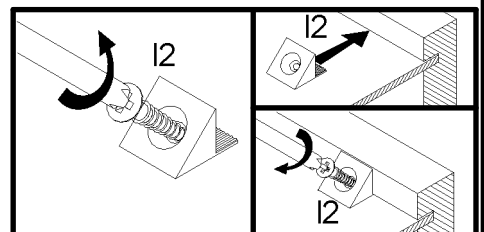
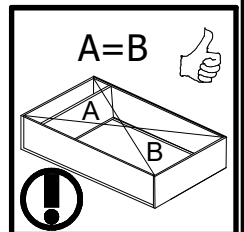
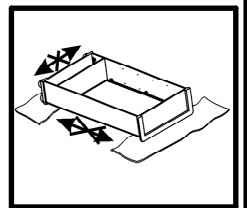
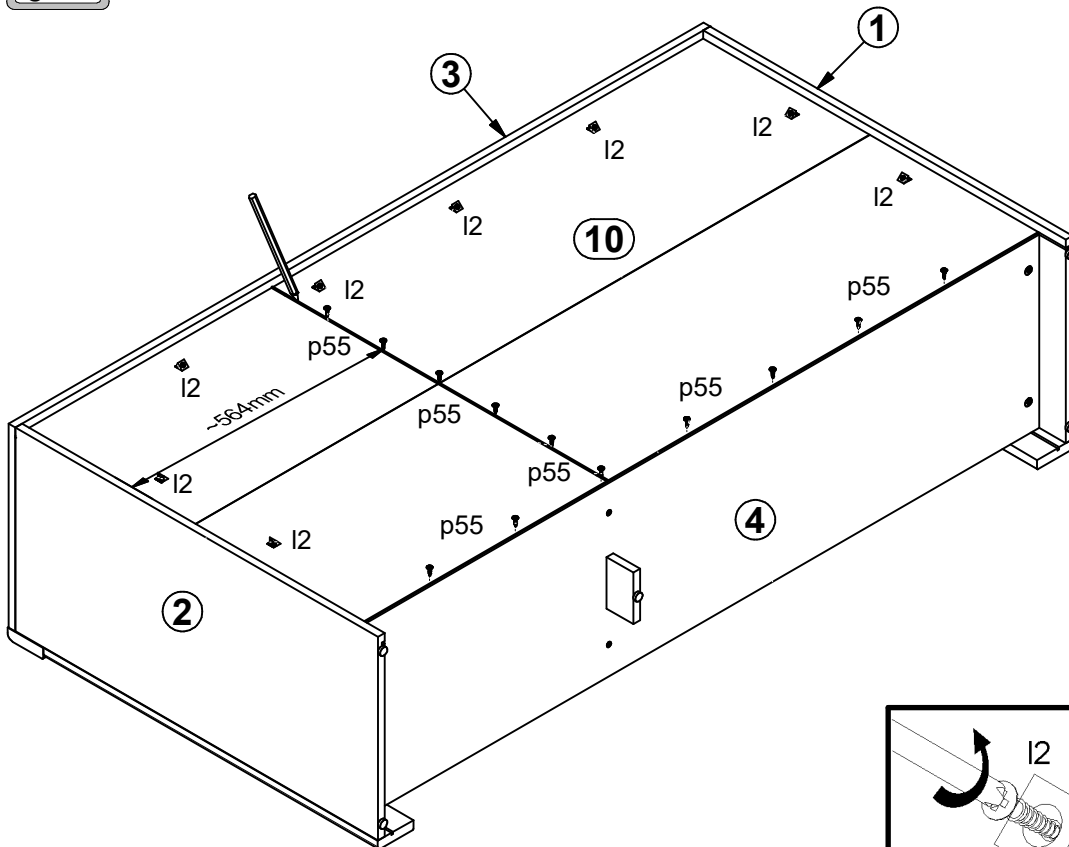
# 5

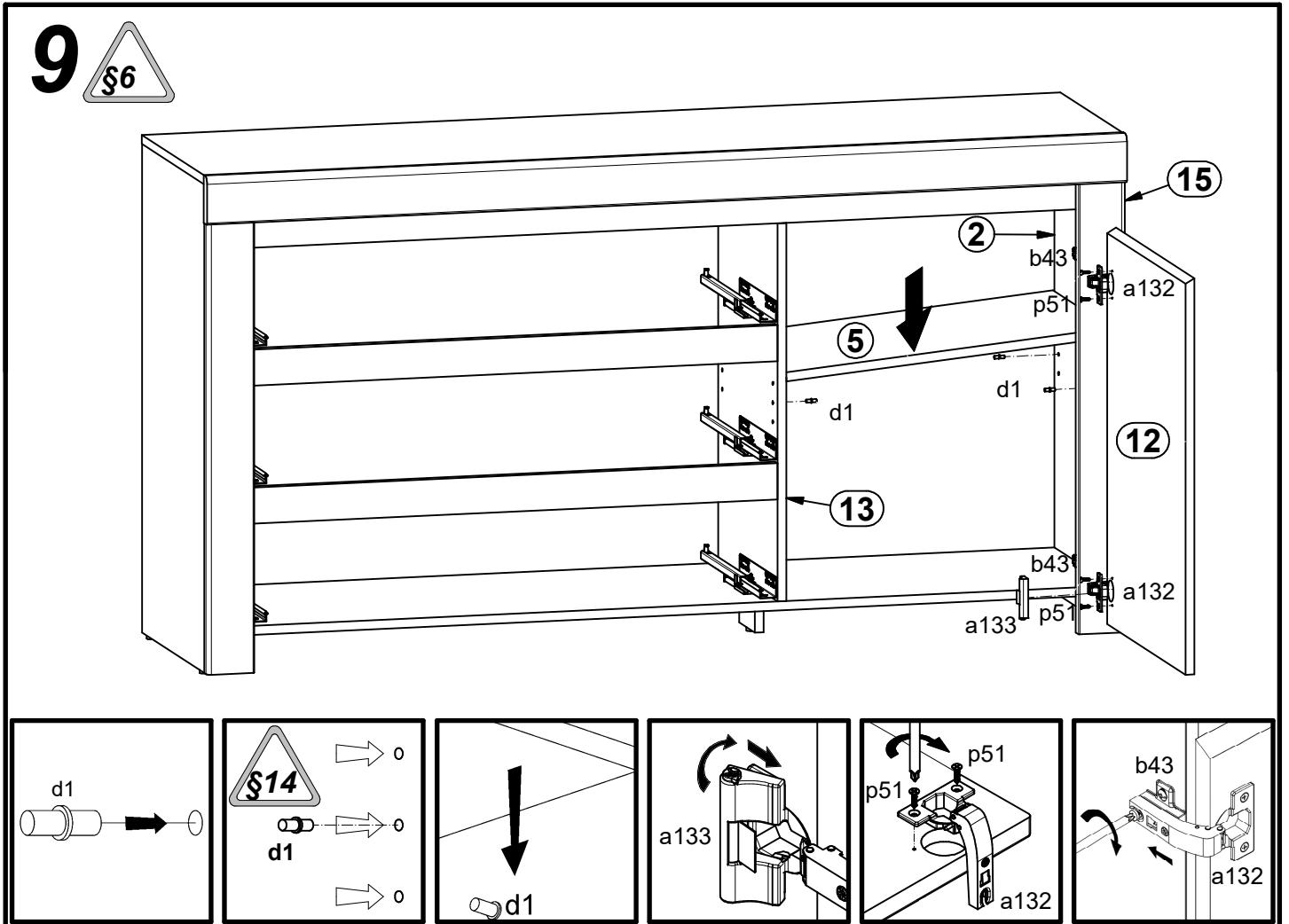
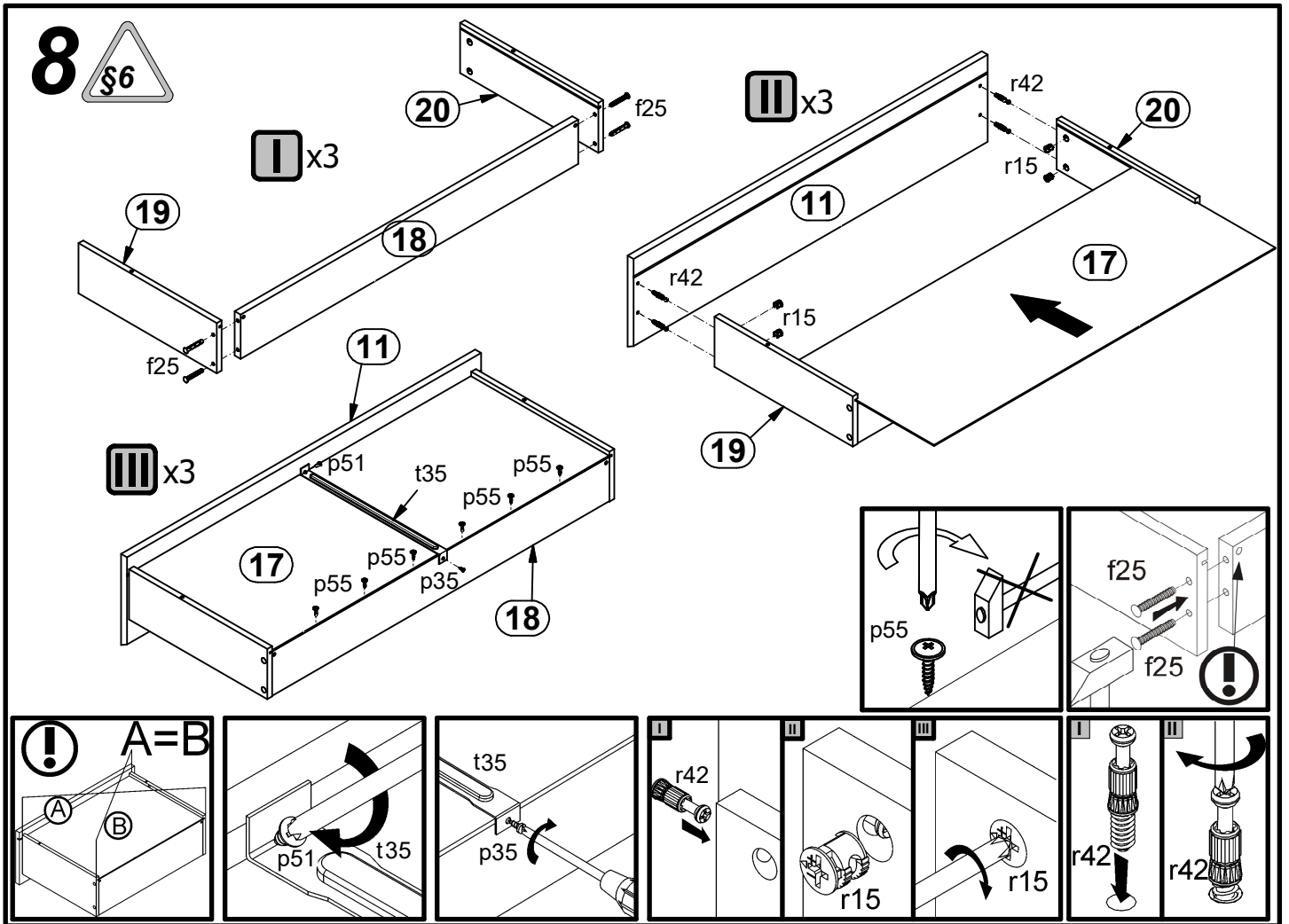



# 6



# 7





# 10

