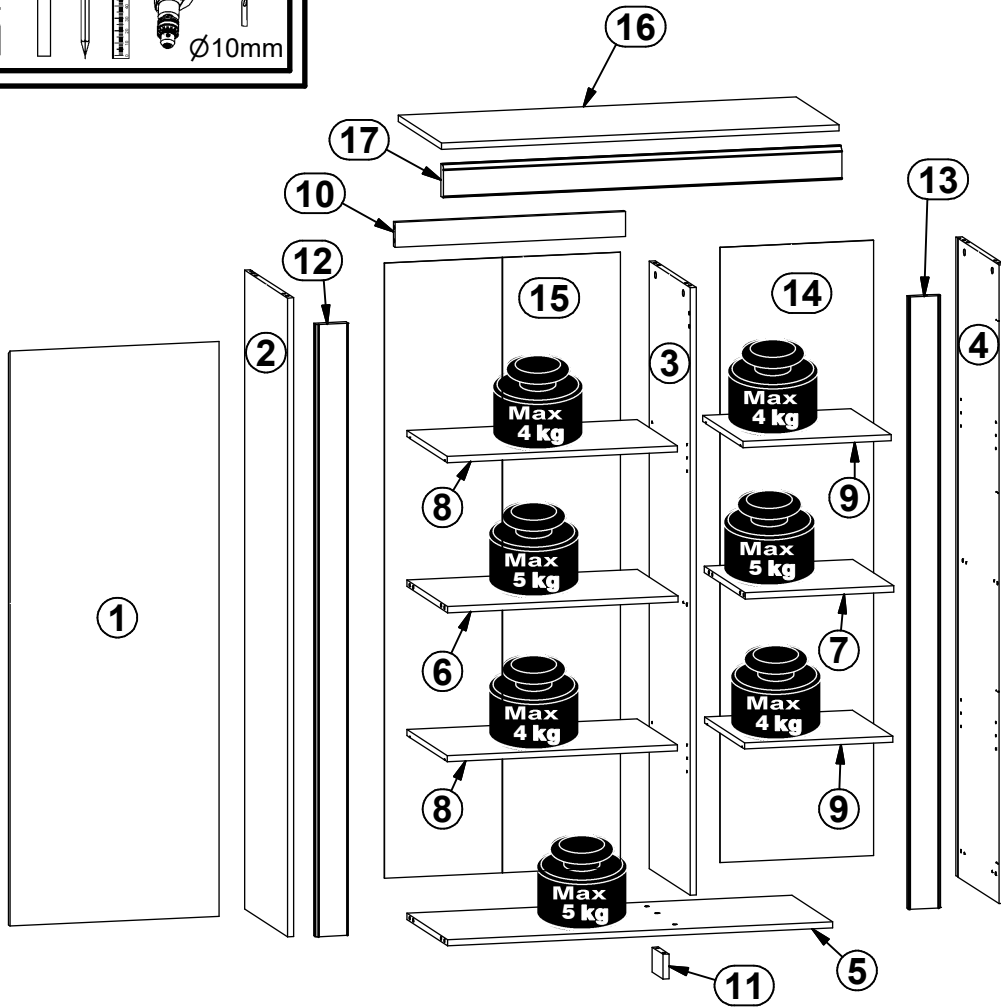
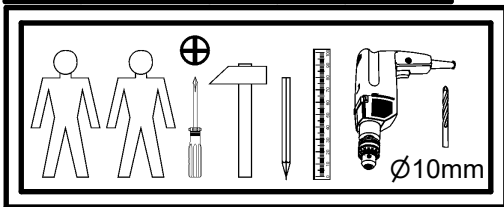
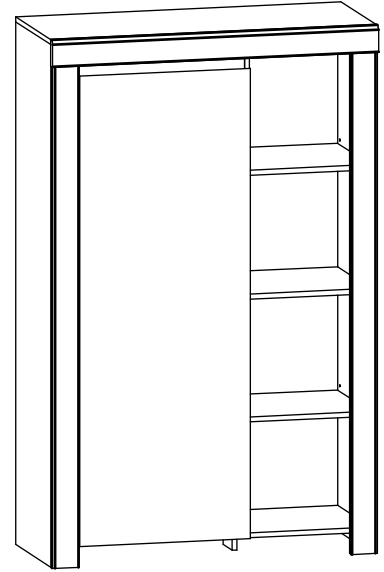
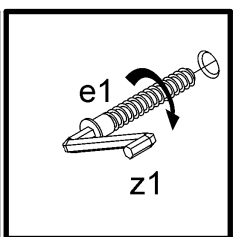
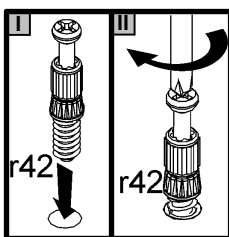
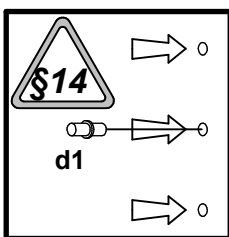
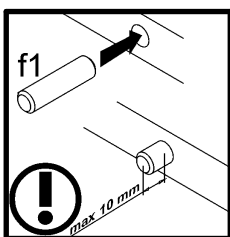
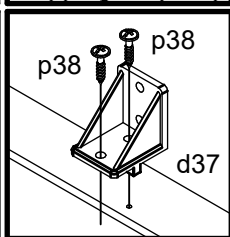
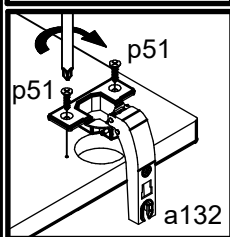
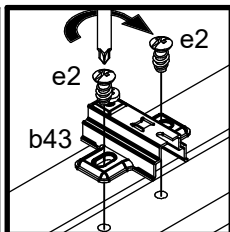
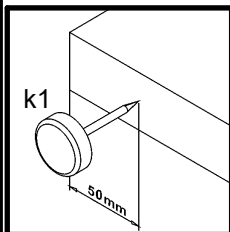
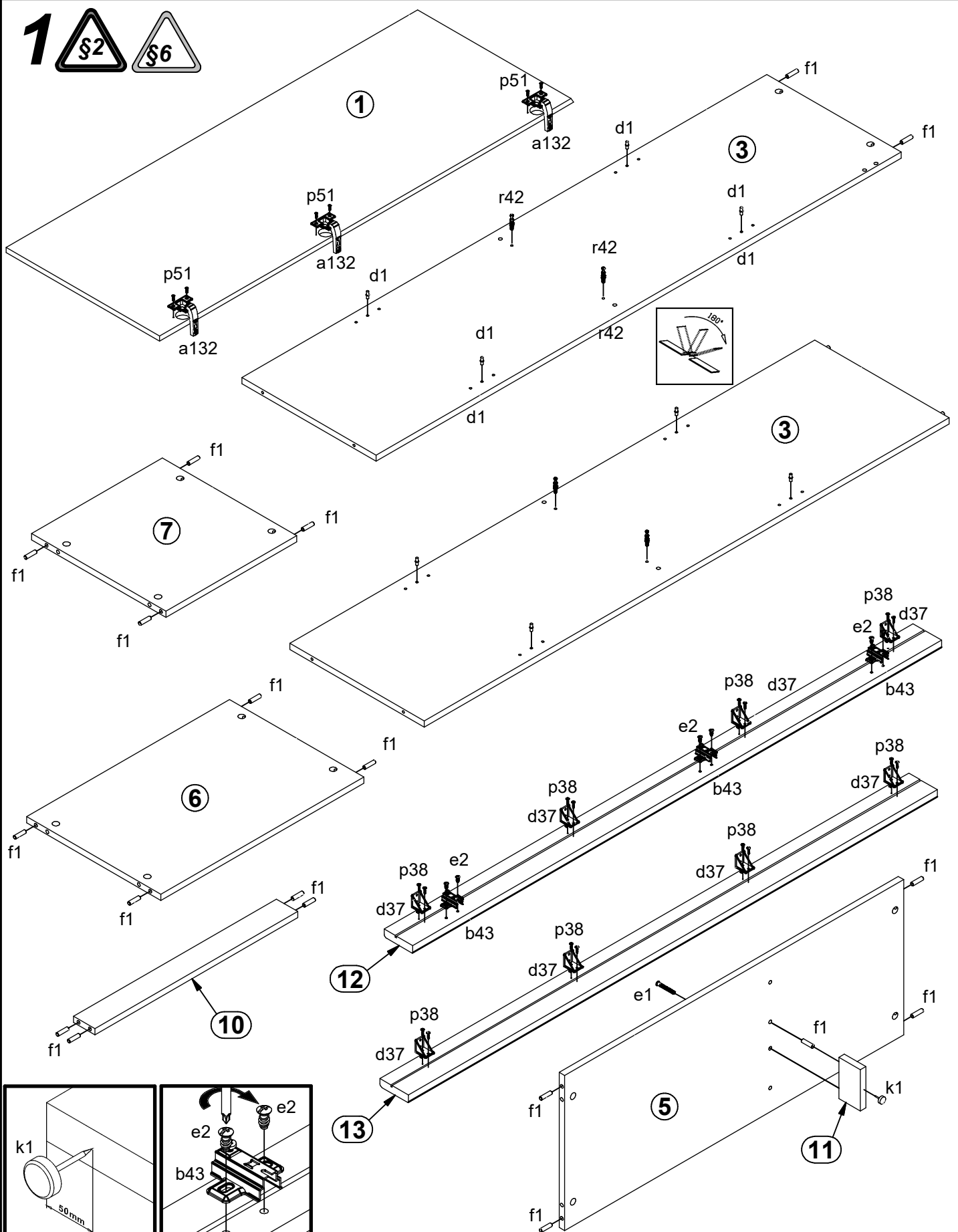


A	B	C	D
1	S440-0030	1390	515
2	S440-1065	1544	396
3	S440-1066	1469	376
4	S440-1067	1544	396
5	S440-3042	949	376
6	S440-3043	568	376
7	S440-3044	366	376
8	S440-3045	567	370
9	S440-3046	365	370
10	S440-4041	568	60
11	S440-5015	100	60
12	S440-5065	1480	80
13	S440-5066	1480	80
14	S440-9021	1487	378
15	S440-9311	1487	581
16	S493-2018	980	396
17	S493-5105	982	80

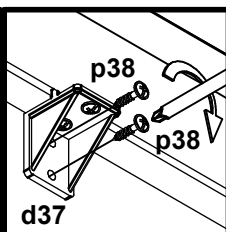
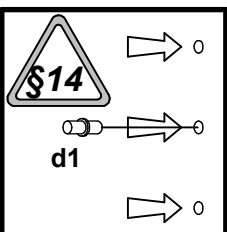
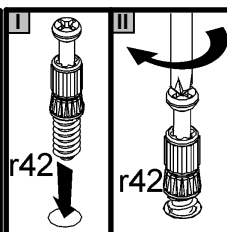
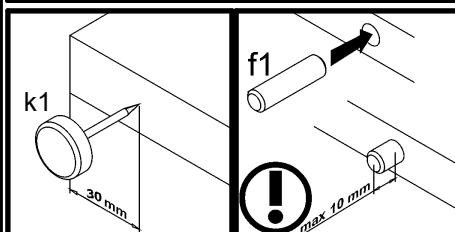
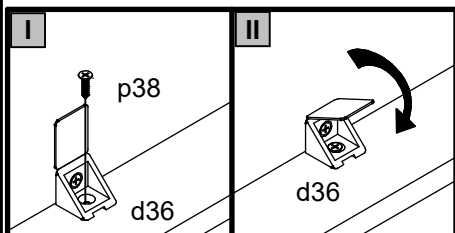
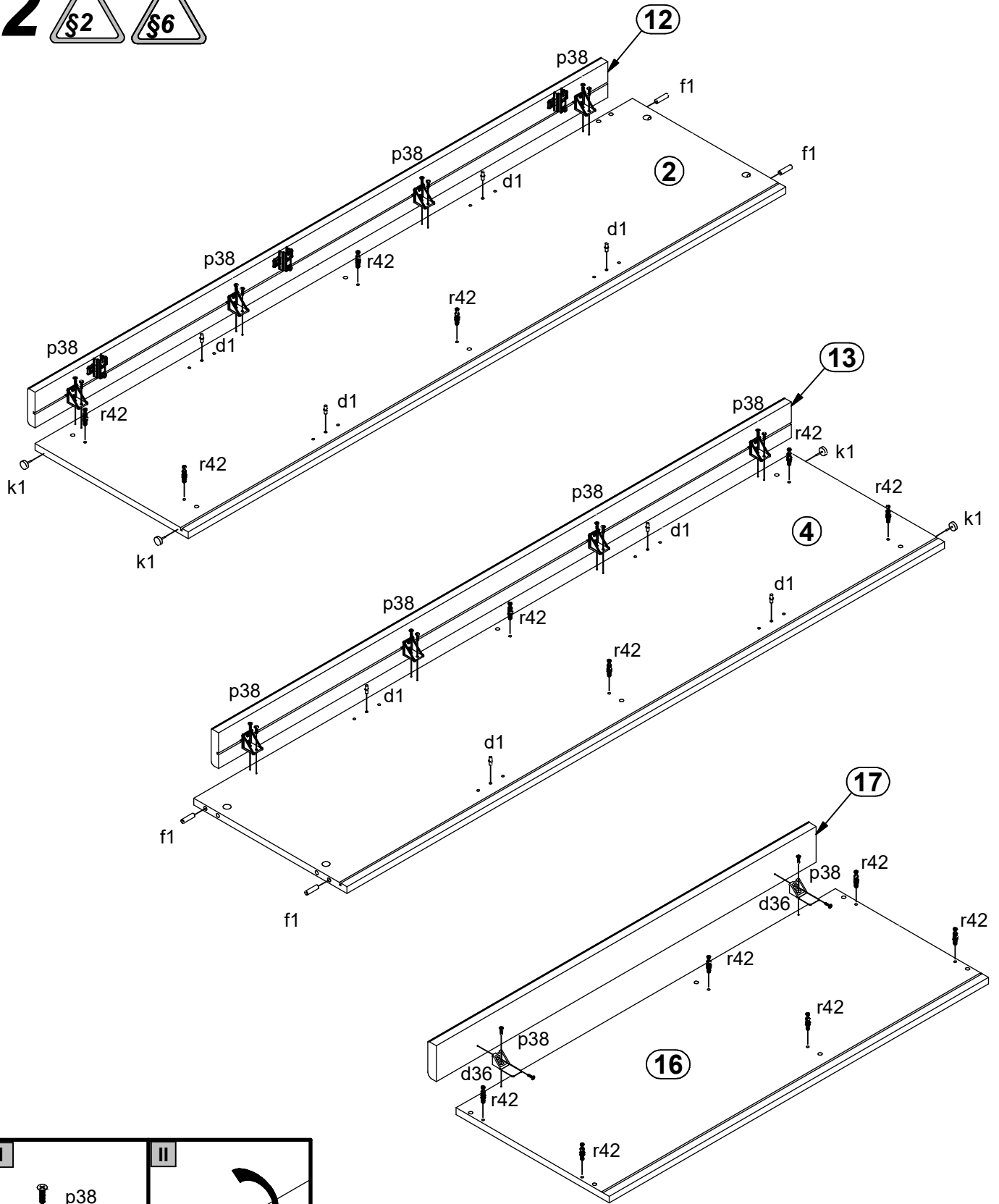


3x  a132	1x  a133	3x  b43	16x  d1 Ø5x17 mm	2x  d36	8x  d37	3x  e1 Ø7x50 mm	6x  e2 Ø6.3x13 mm	23x  f1 Ø8x30 mm
5x  k1	11x  l2	7x  n108 22x9.5x20.7 mm	37x  p38 Ø3.5x16 mm	6x  p51 Ø3.5x15 mm	12x  p55 Ø2.9x16 mm	18x  r1 Ø15x12 mm #16	18x  r42 20/11	6x  s68 Ø 20mm
1x  z1 4 mm								1x  n26

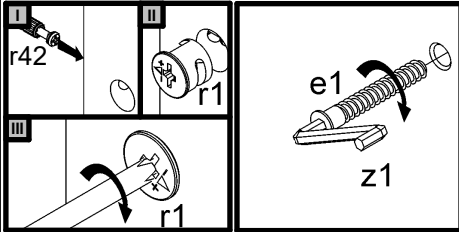
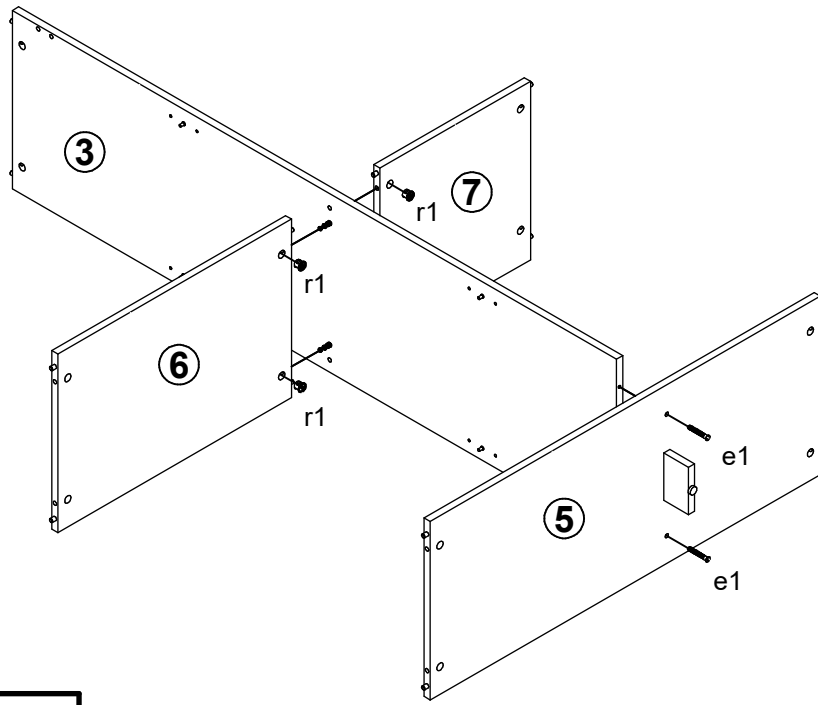
1  



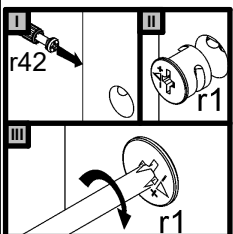
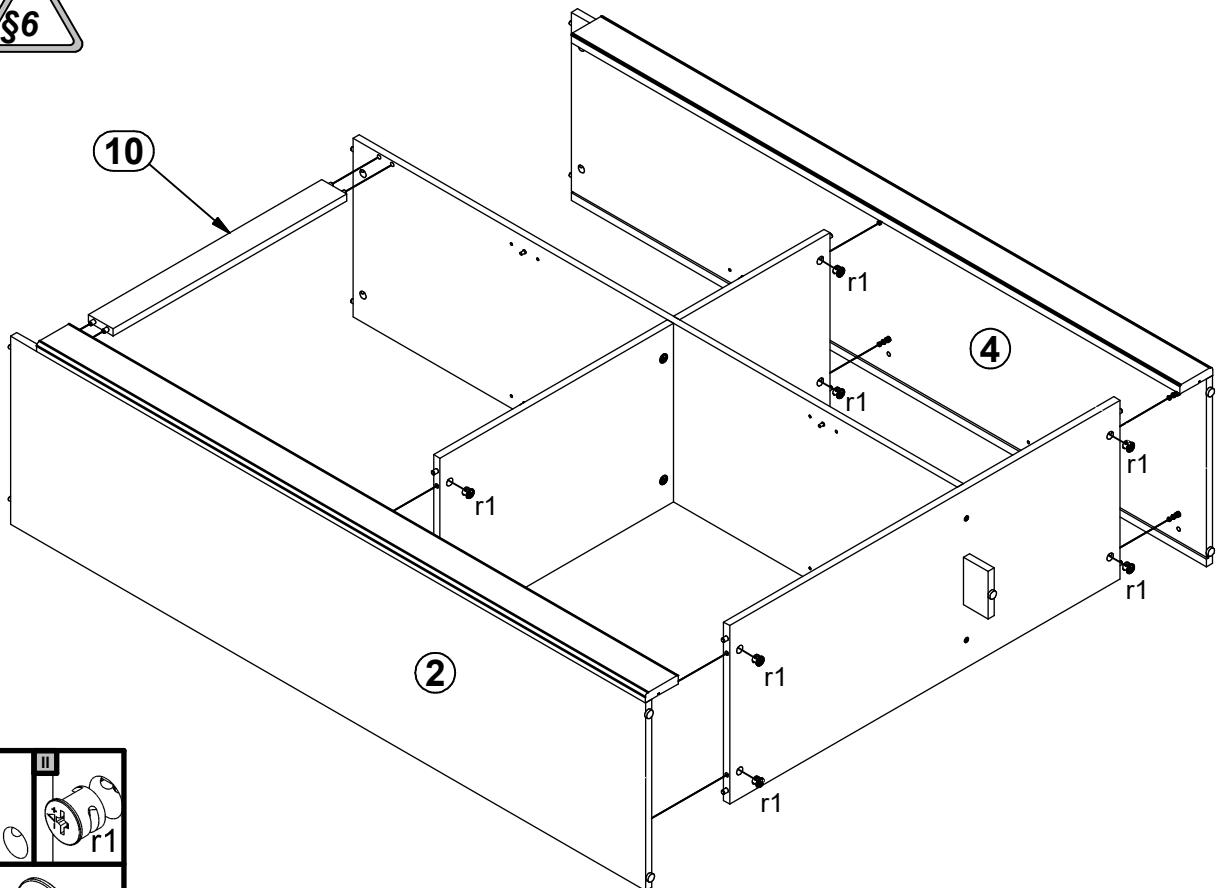
# 2



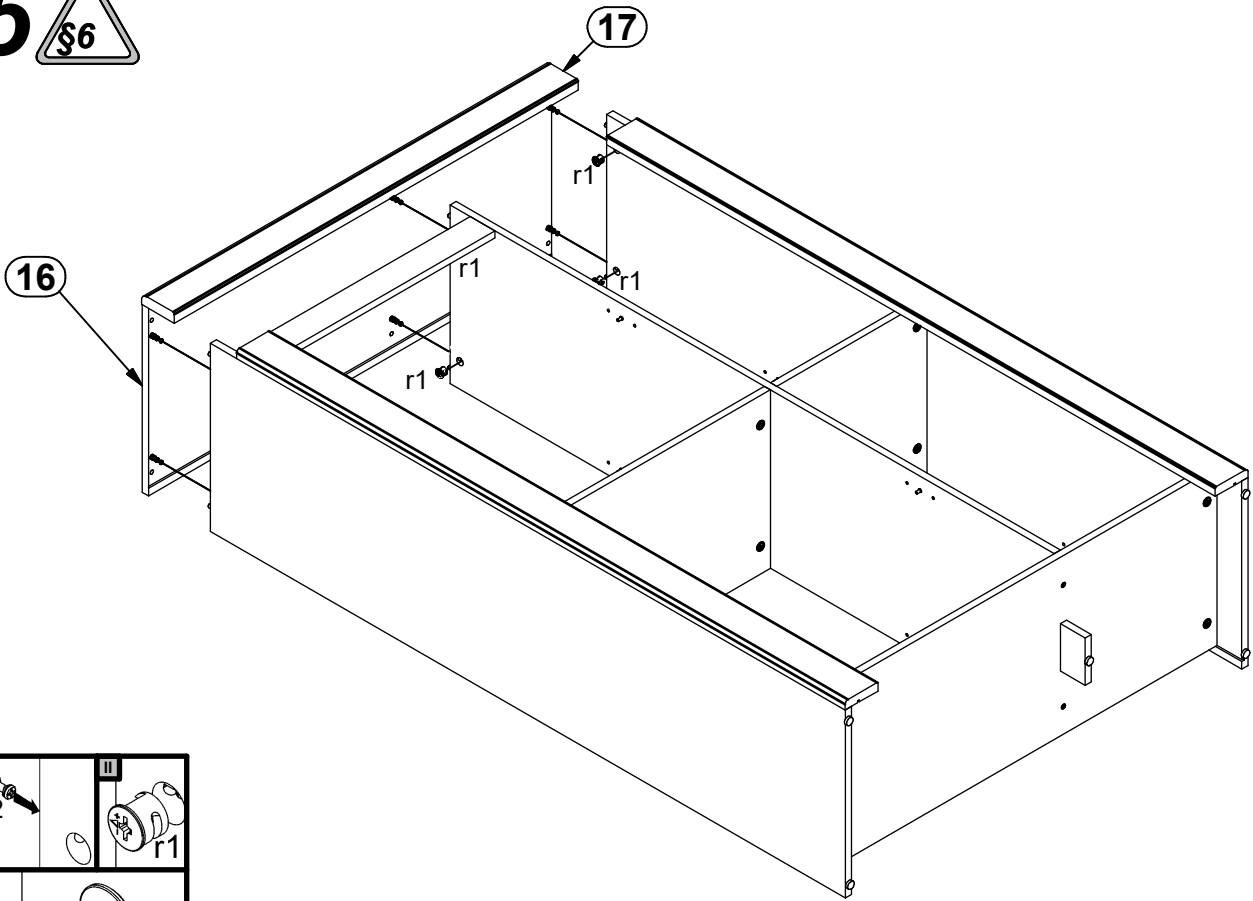
**3** 



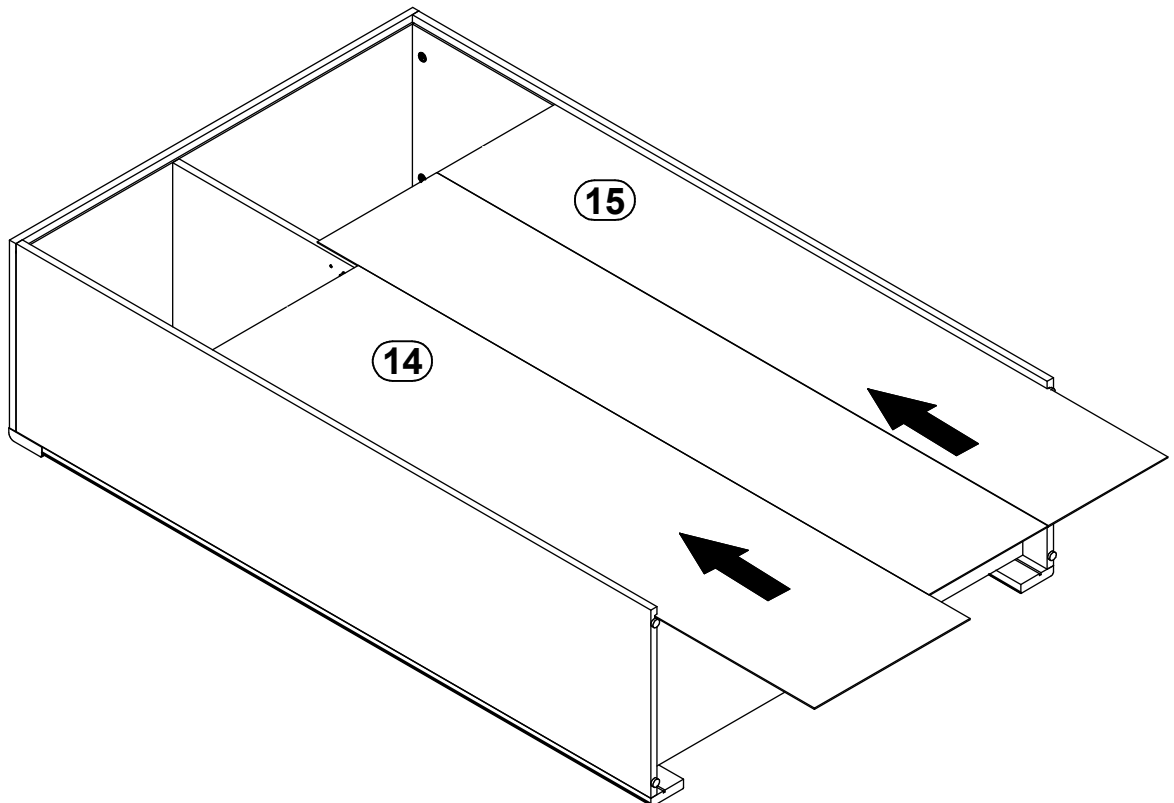
**4** 



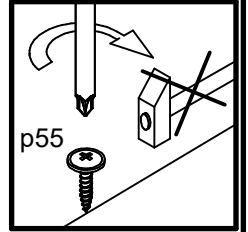
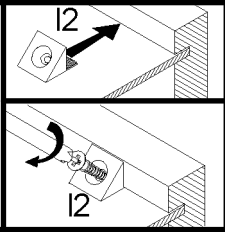
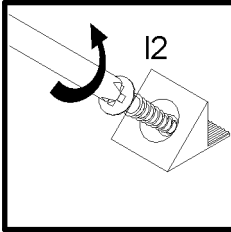
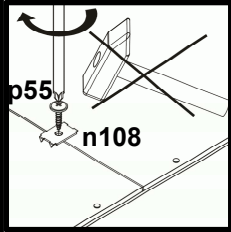
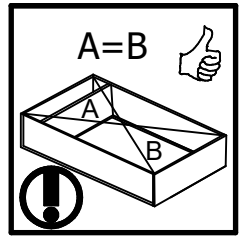
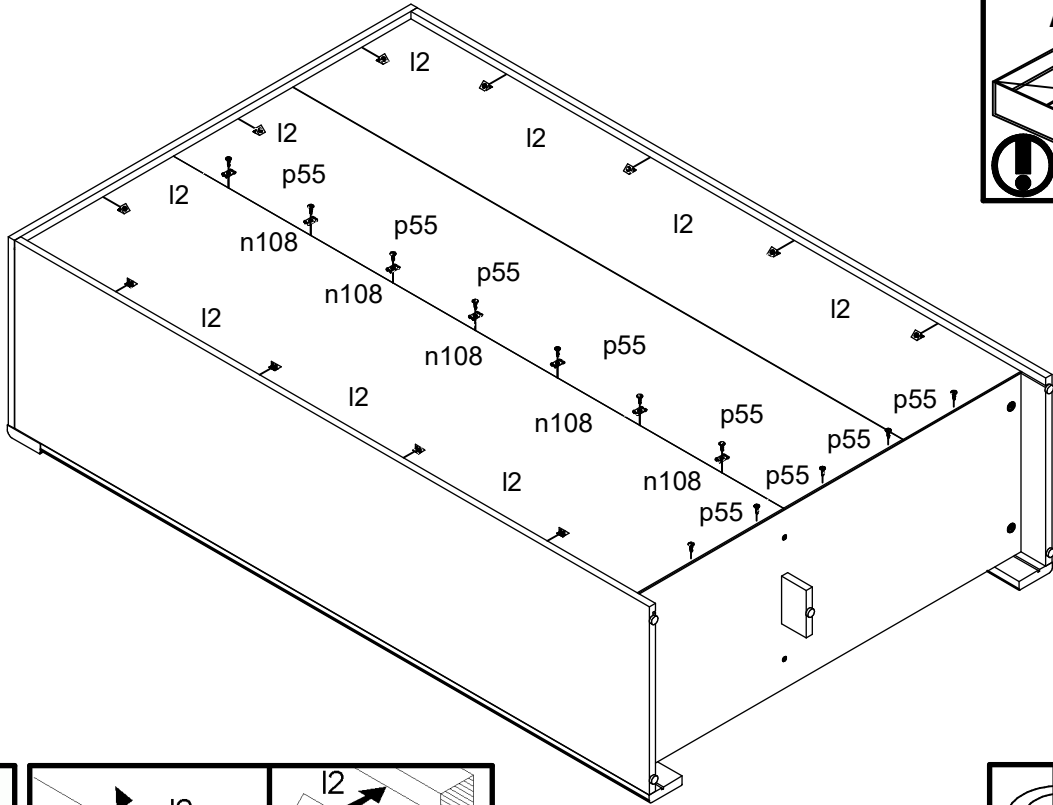
**5** 



**6** 



# 7



# 8

