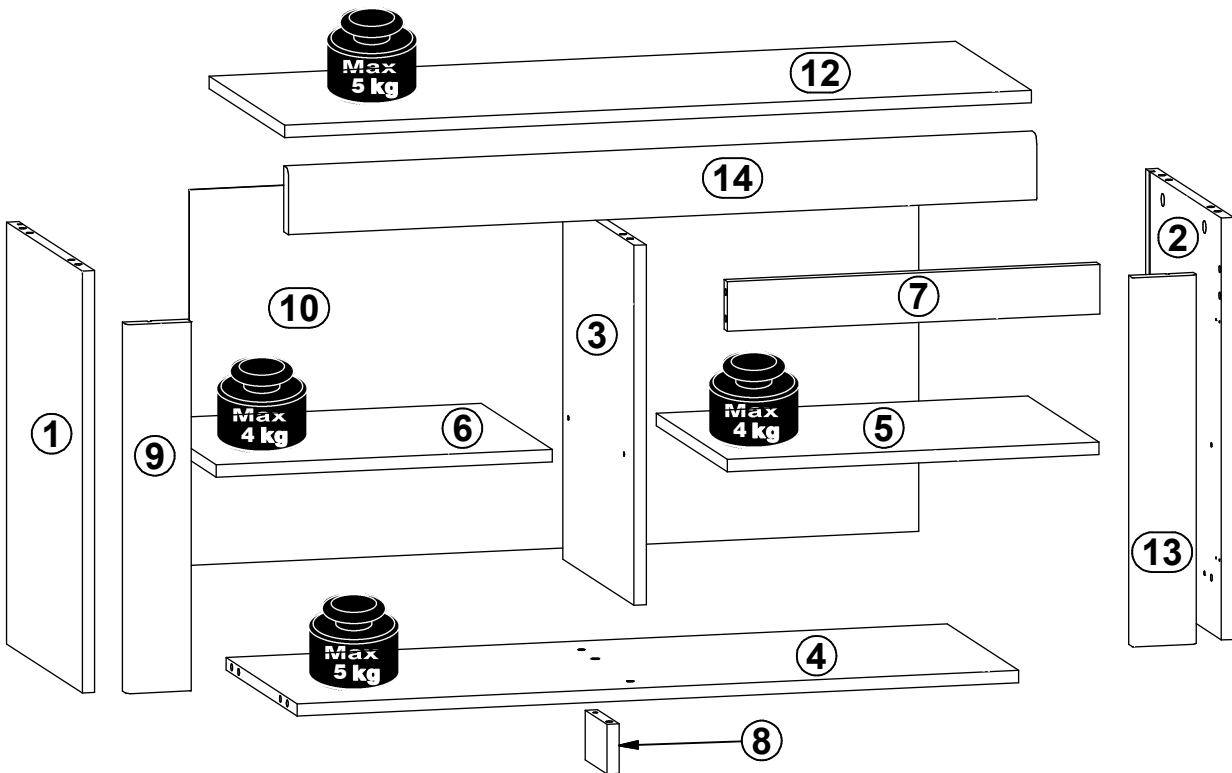
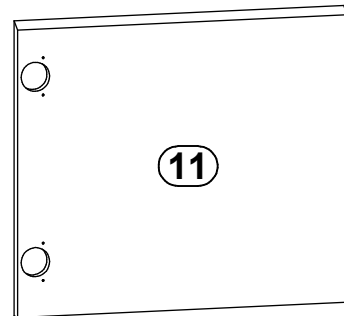
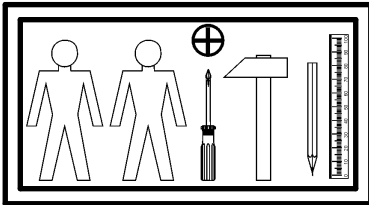
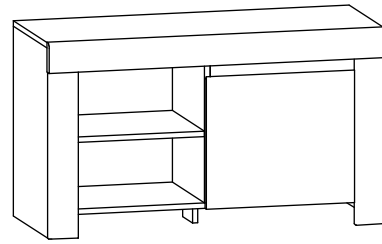
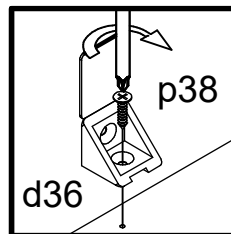
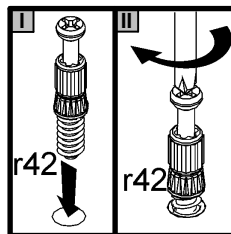
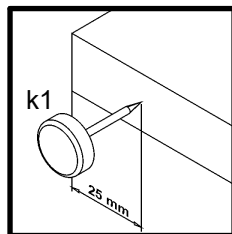
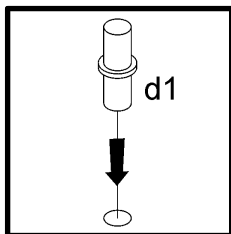
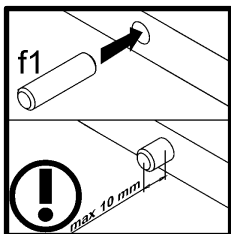
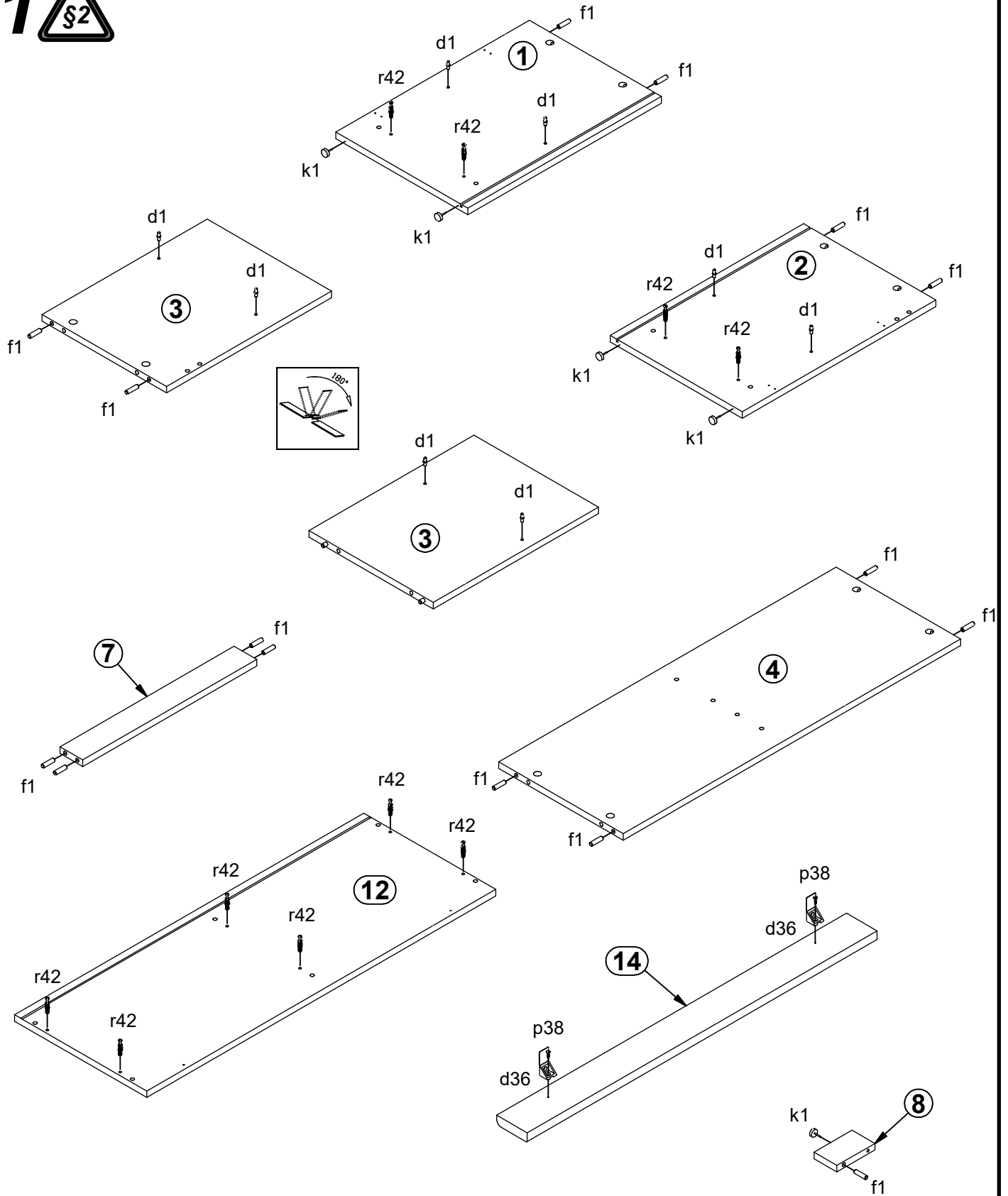


A	B	C	D	
1	S440-1016	510	348	1/1
2	S440-1017	510	348	1/1
3	S440-1018	435	328	1/1
4	S440-3007	889	328	1/1
5	S440-3008	458	327	1/1
6	S440-3009	414	327	1/1
7	S440-4017	459	60	1/1
8	S440-5015	100	60	1/1
9	S440-5019	446	80	1/1
10	S440-9008	899	454	1/1
11	S493-0010	406	356	1/1
12	S493-2004	920	348	1/1
13	S493-5020	446	80	1/1
14	S493-5106	922	80	1/1

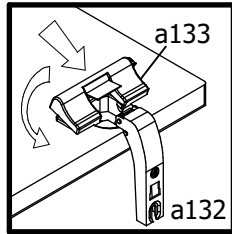
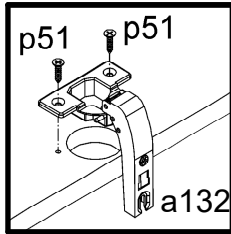
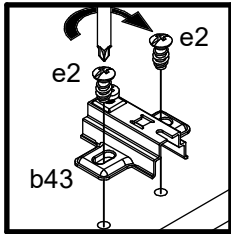
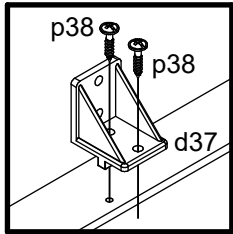
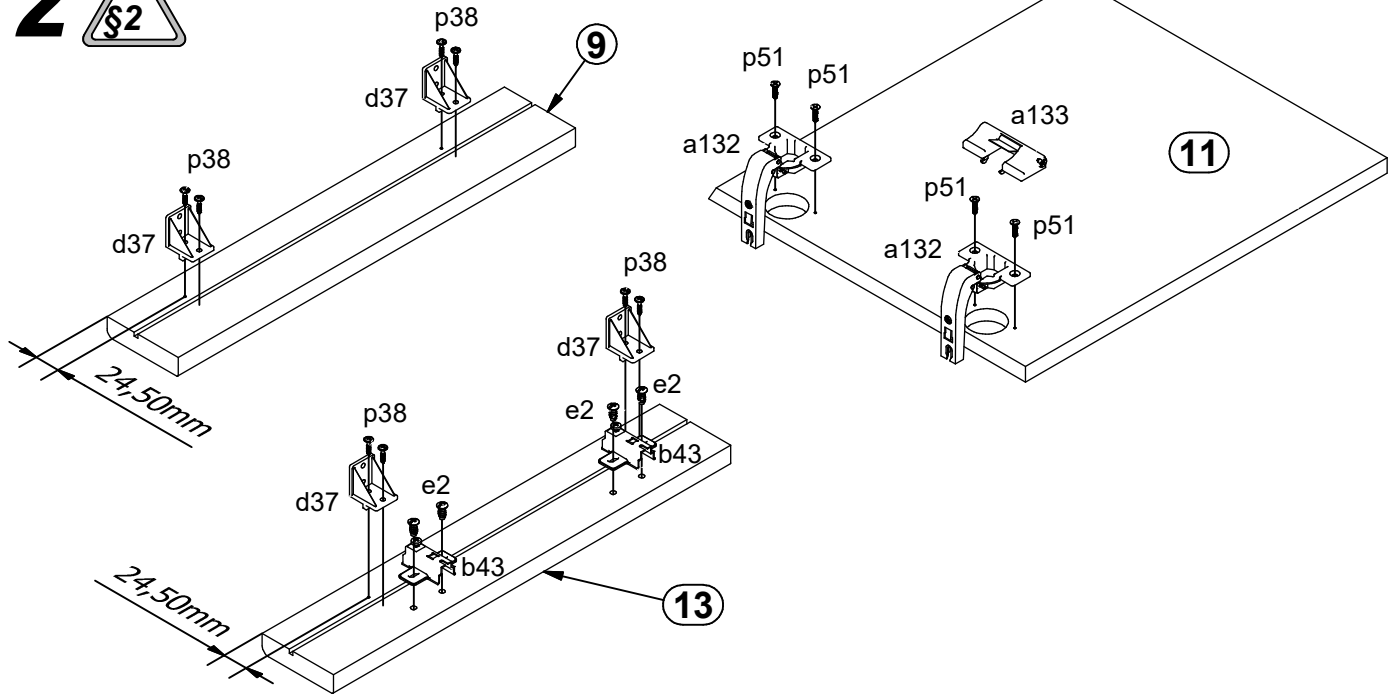


2x  a132	1x  a133	2x  b43	8x  Ø5x17 mm d1	2x  d36	4x  d37	3x  Ø7x50 mm e1	4x  Ø6.3x13 mm e2	15x  Ø8x30 mm f1
5x  k1	4x  l2	1x  n26	21x  Ø3.5x16 mm p38	4x  Ø3.5x15 mm p51	5x  Ø2.9x16 mm p55	10x  Ø15x12 mm #16 r1	10x  Ø8x30 mm r42	2x  Ø 20mm s68
1x  4 mm z1								

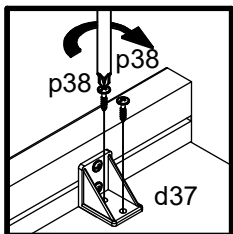
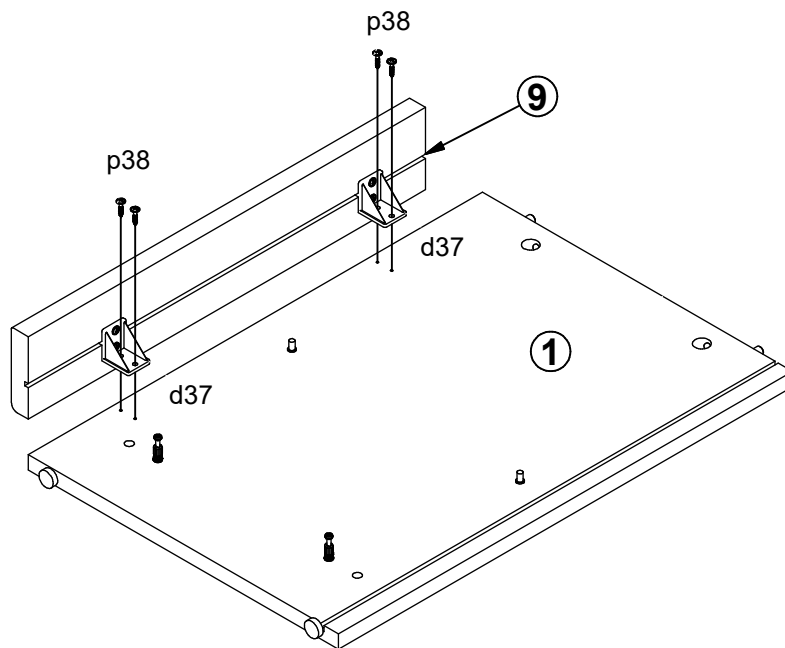
1 



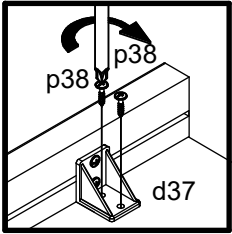
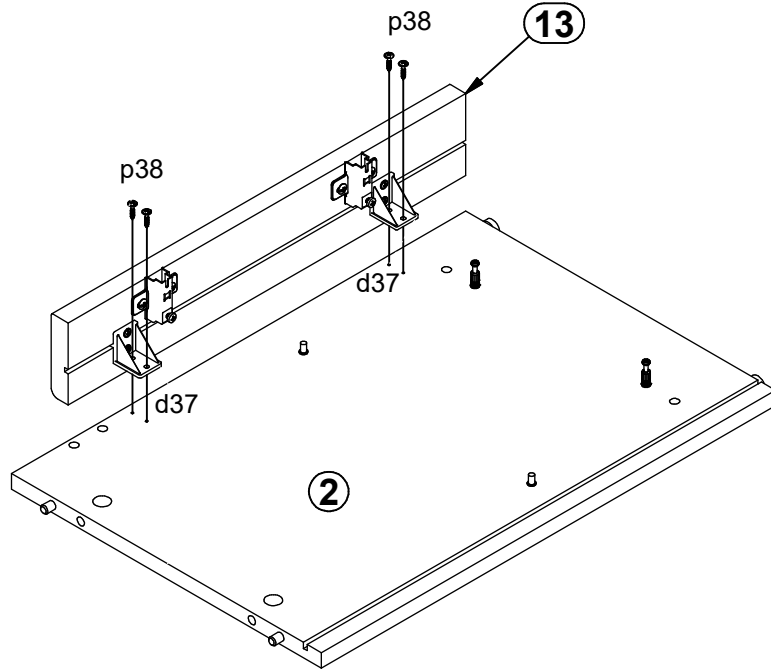
# 2



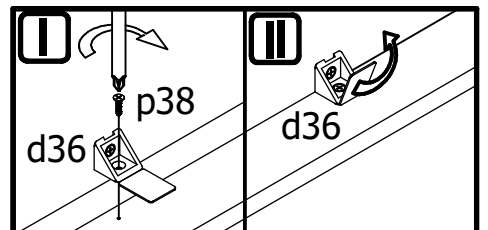
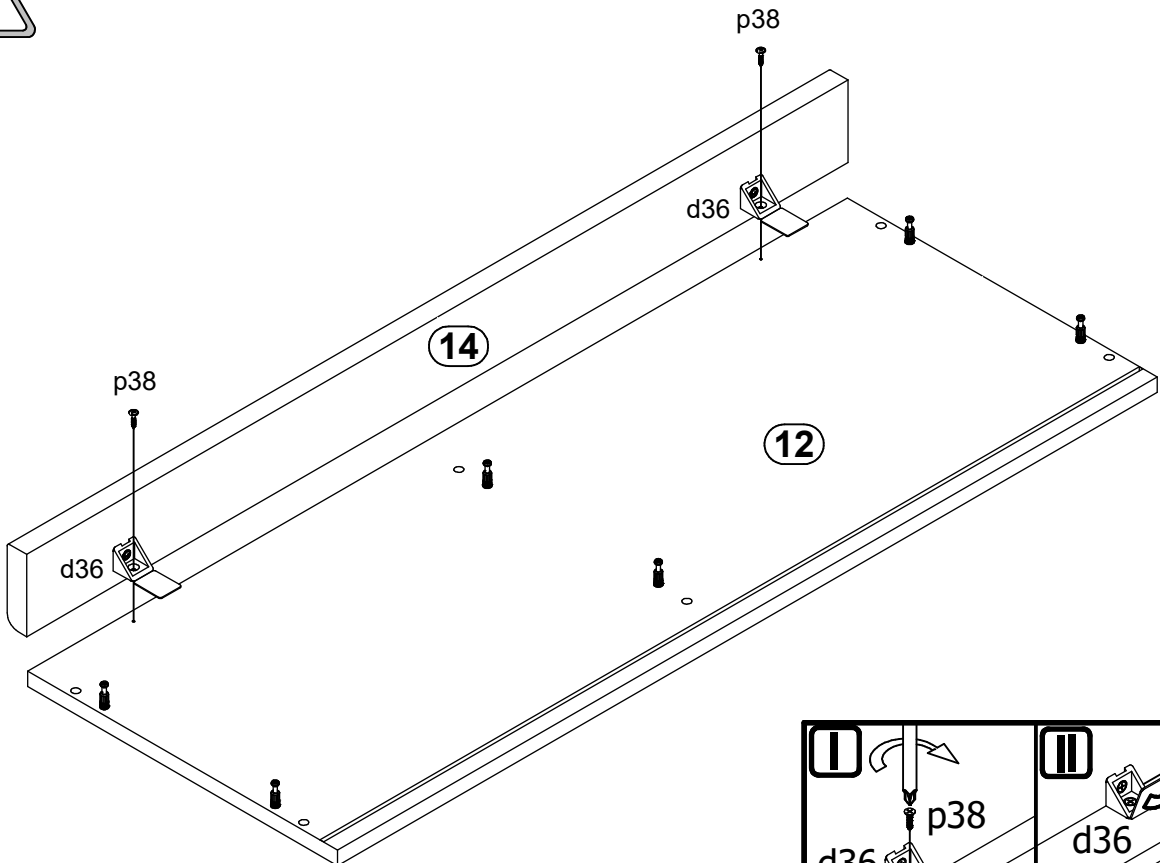
# 3



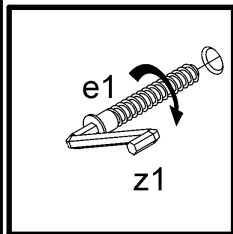
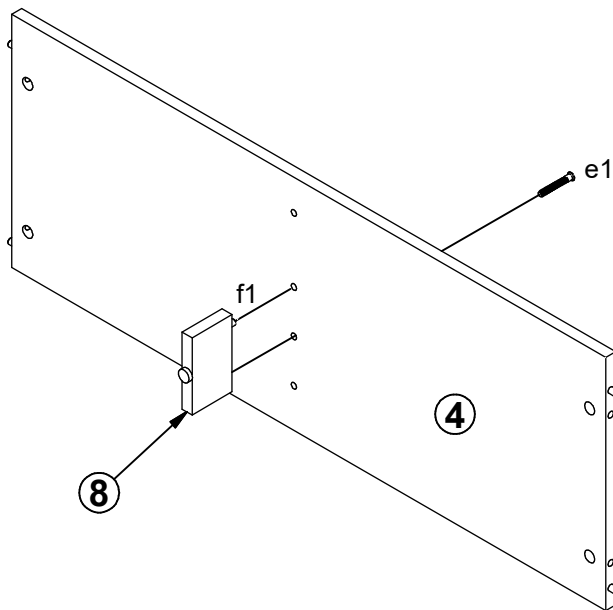
# 4



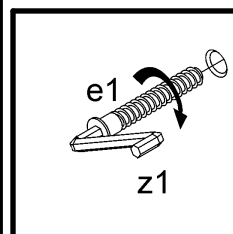
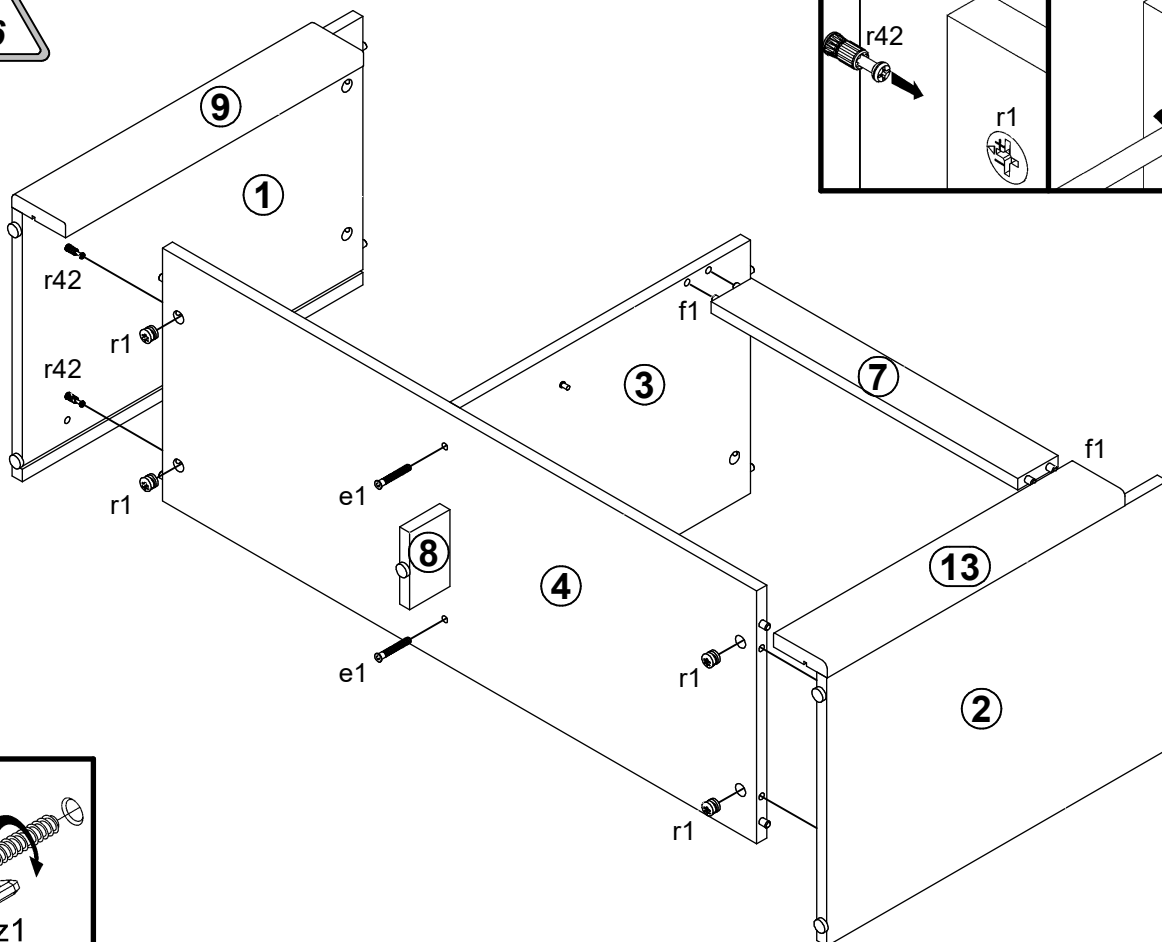
# 5



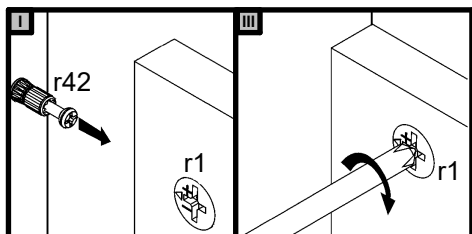
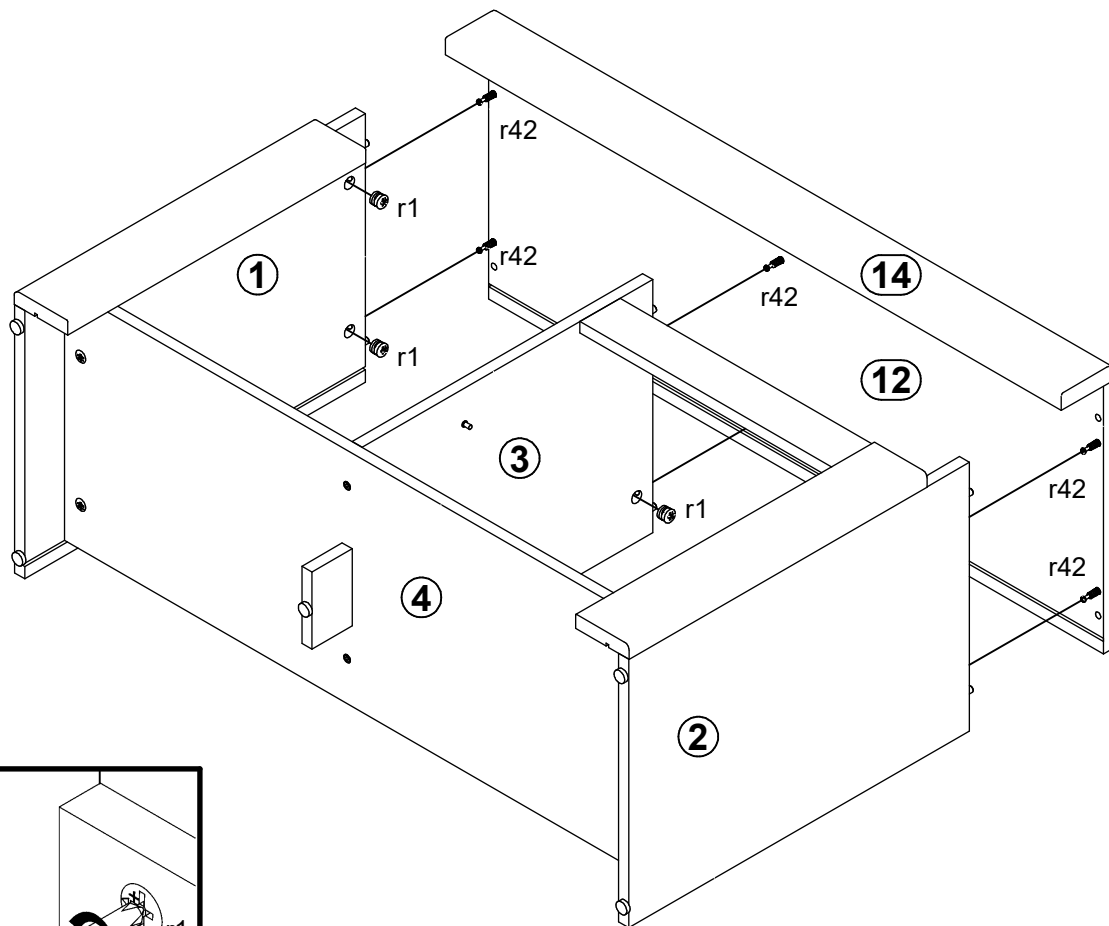
# 6



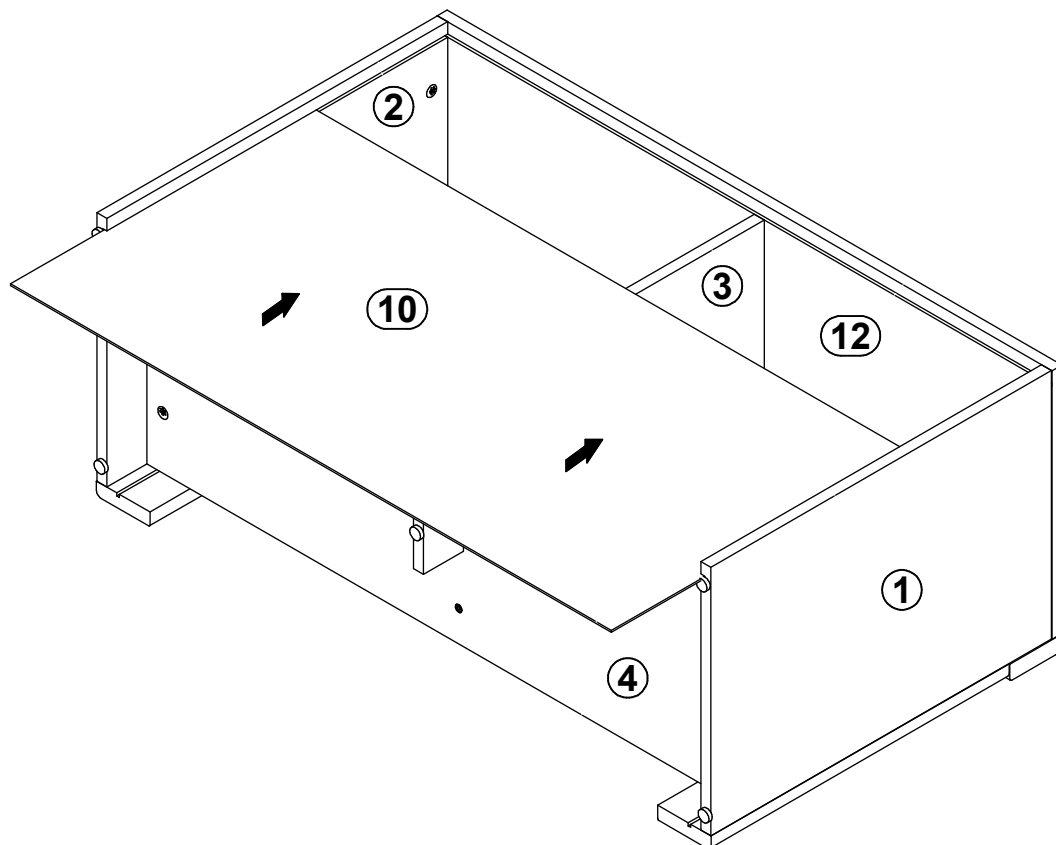
# 7



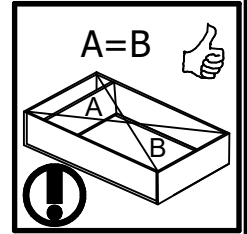
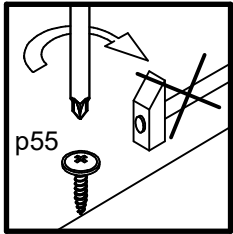
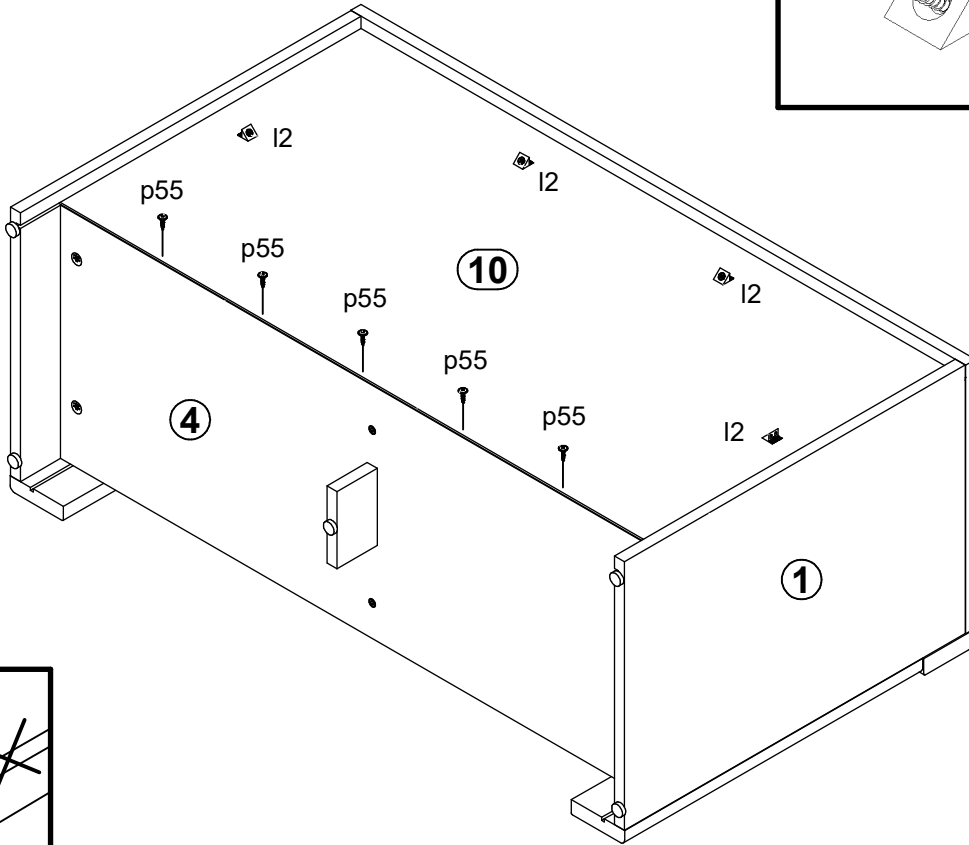
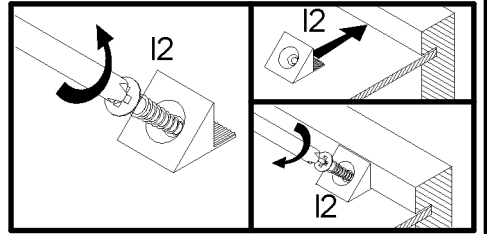
8 



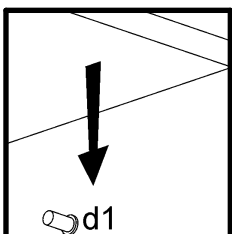
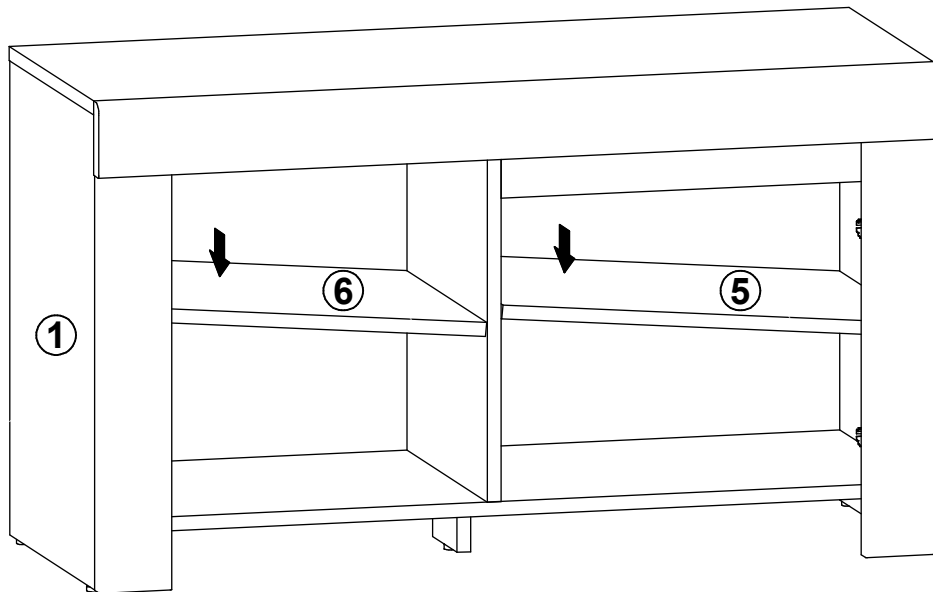
9 



# 10



# 11



# 12

