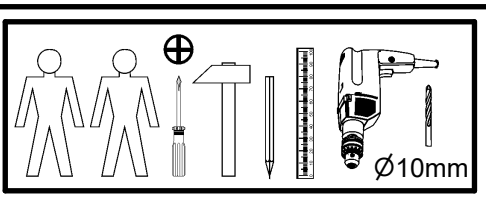
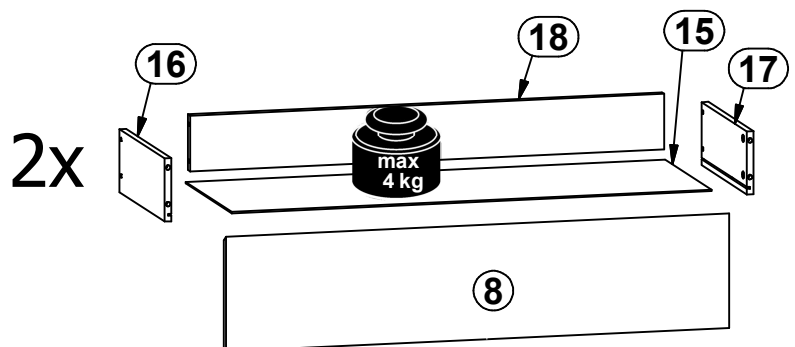
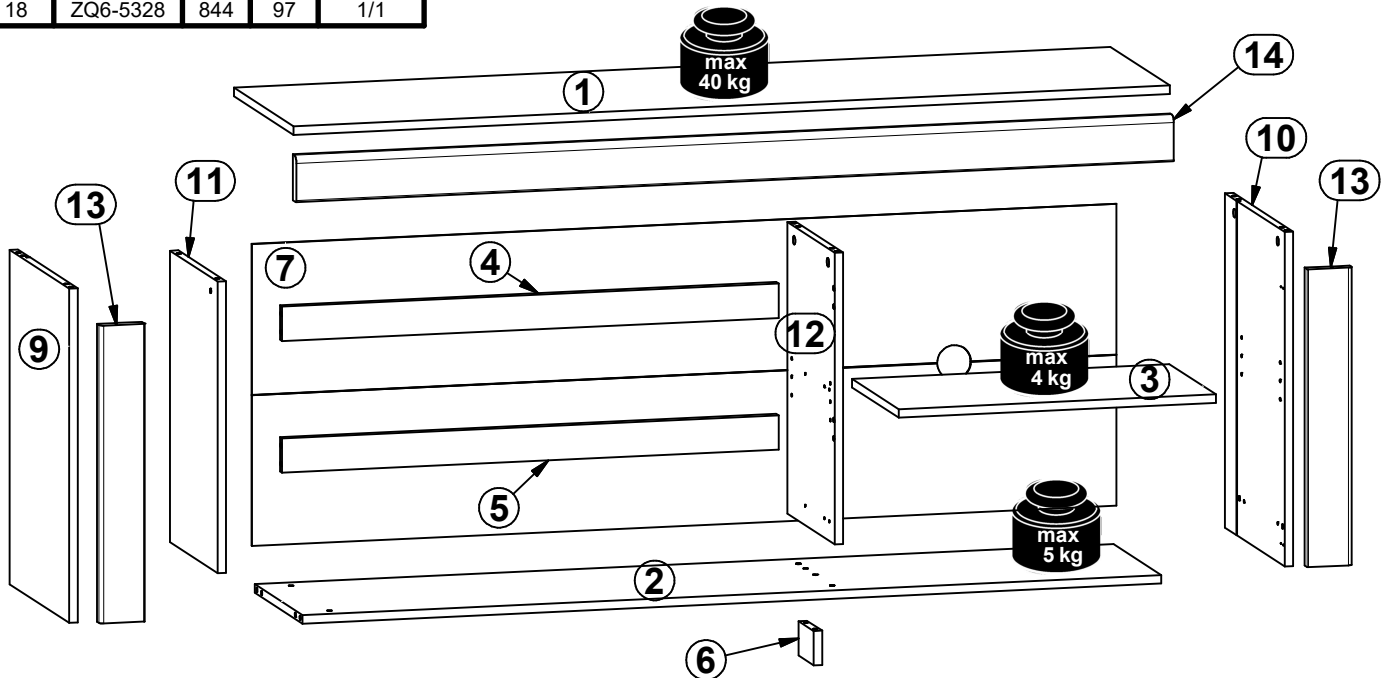
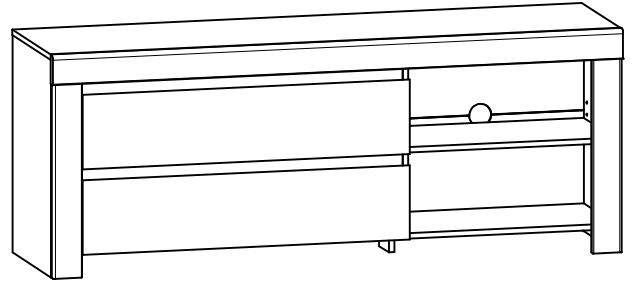
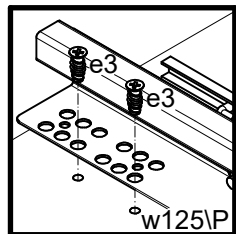
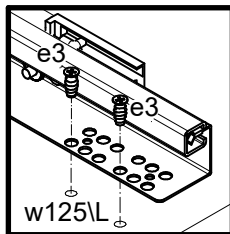
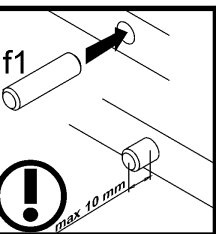
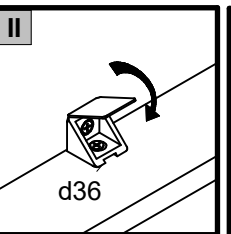
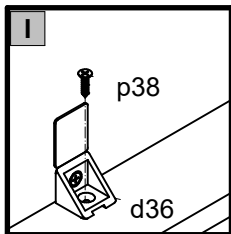
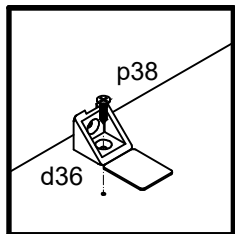
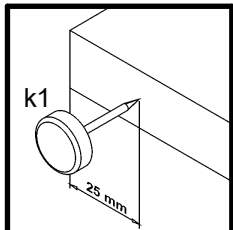
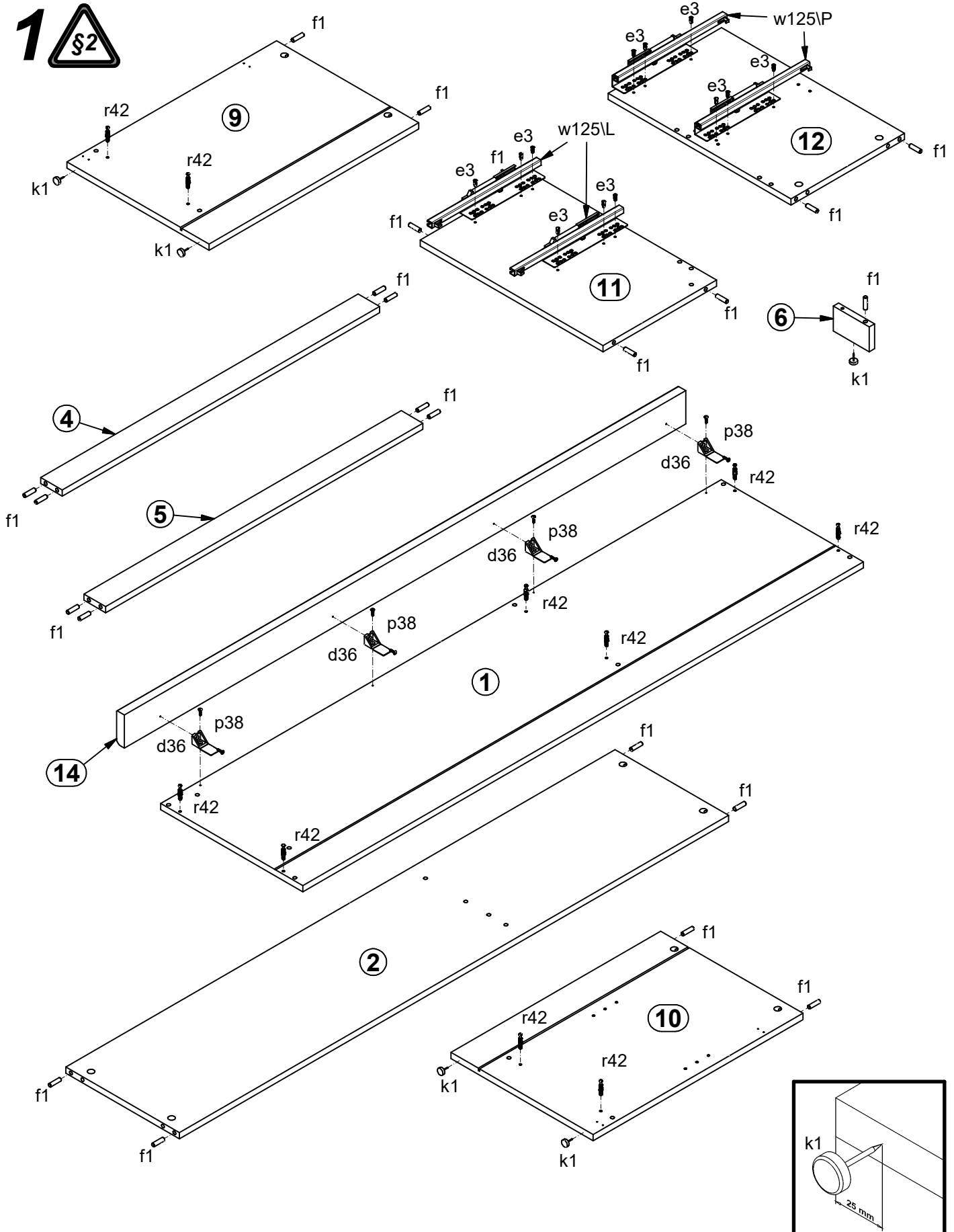


A	B	C	D	
1	S440-2010	1560	396	1/1
2	S440-3023	1529	316	1/1
3	S440-3024	565	310	1/1
4	S440-4026	884	60	1/1
5	S440-4027	884	60	1/1
6	S440-5015	100	60	1/1
7	S440-9308	1539	527	1/1
8	S493-0019	896	200	1/1
9	S493-1037	584	396	1/1
10	S493-1038	584	396	1/1
11	S493-1039	509	316	1/1
12	S493-1040	509	316	1/1
13	S493-5041	520	80	1/1
14	S493-5103	1562	80	1/1
15	S493-9014	854	307	1/1
16	ZQ6-517	300	110	1/1
17	ZQ6-518	300	110	1/1
18	ZQ6-5328	844	97	1/1

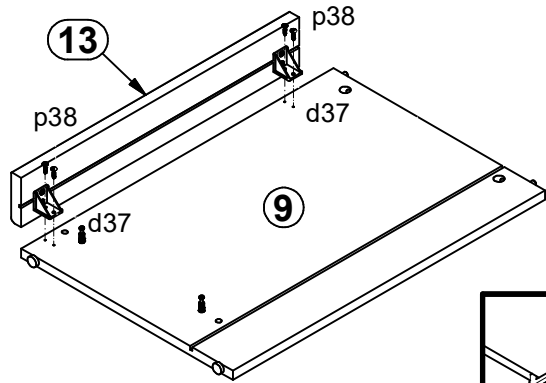


4x Ø5x17 mm d1	4x d36	4x d37	3x Ø7x50 mm e1	12x Ø6x13 mm e3	23x Ø8x30 mm f1	8x Ø6.5x40 mm f25	5x k1	6x l2
2x Ø3.5x10 mm p35	25x Ø3.5x16 mm p38	2x Ø3.5x15 mm p51	27x Ø2.9x16 mm p55	10x Ø15x12 mm #16 r1	8x Ø12x10.5 mm #12 r15	18x 20/11 r42	2x 300 mm t25	2x 300mm w125/L
2x 300mm w125/P	1x 4 mm z1							1x n26

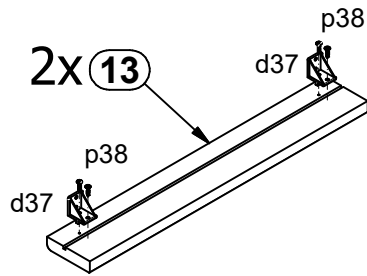
1 



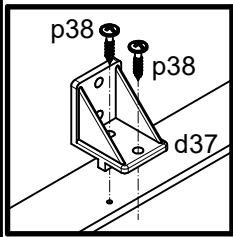
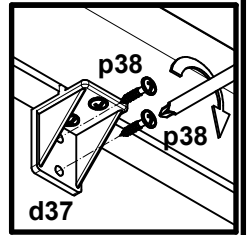
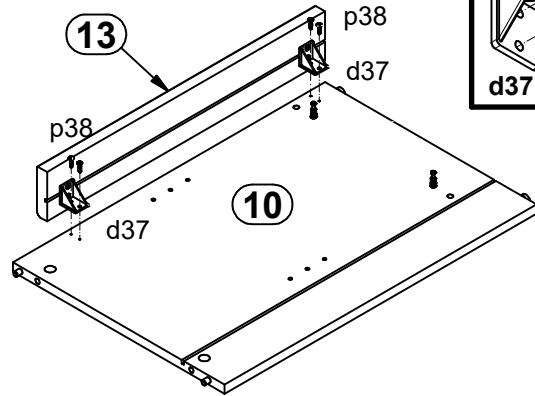
2 §6



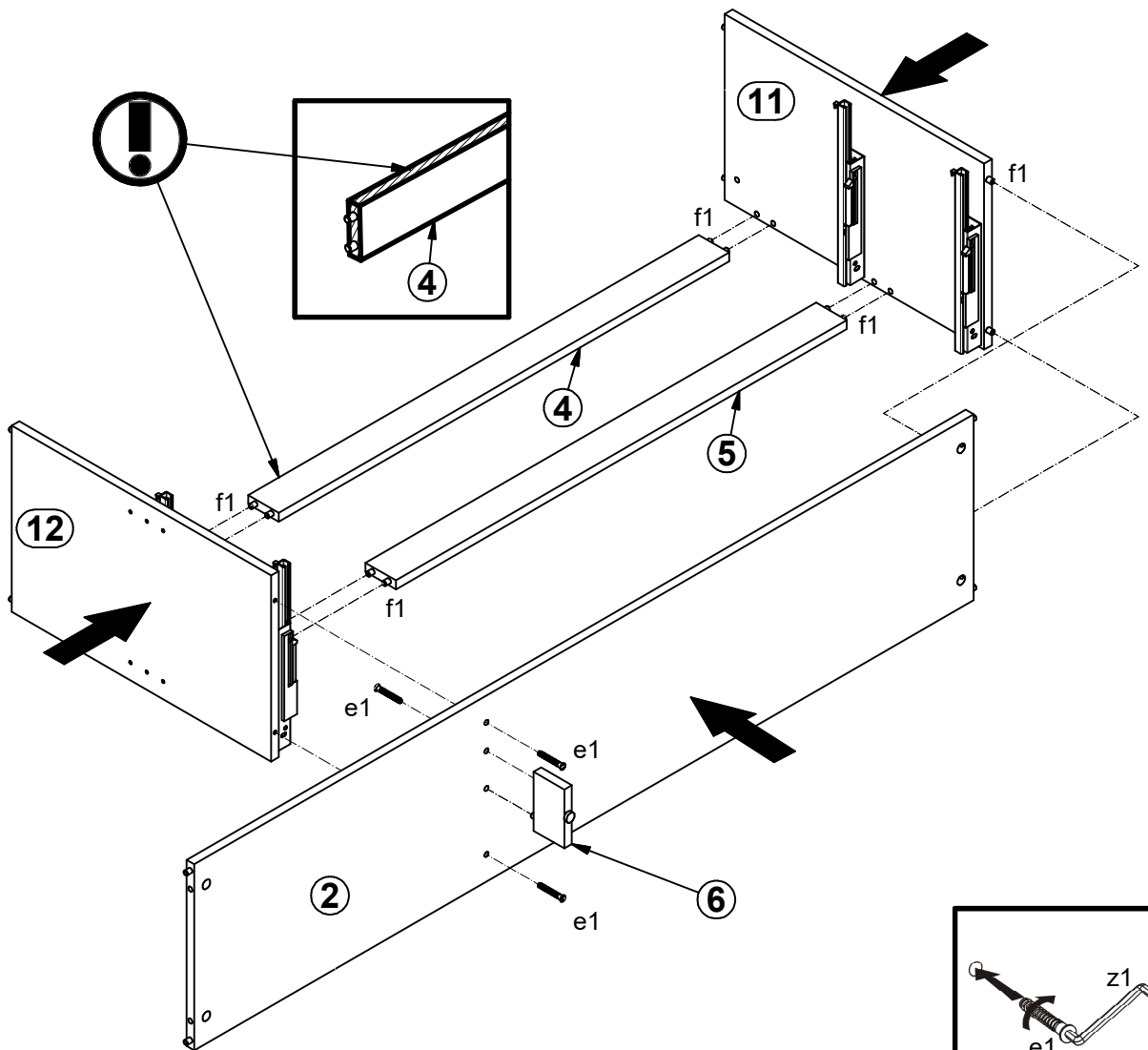
I

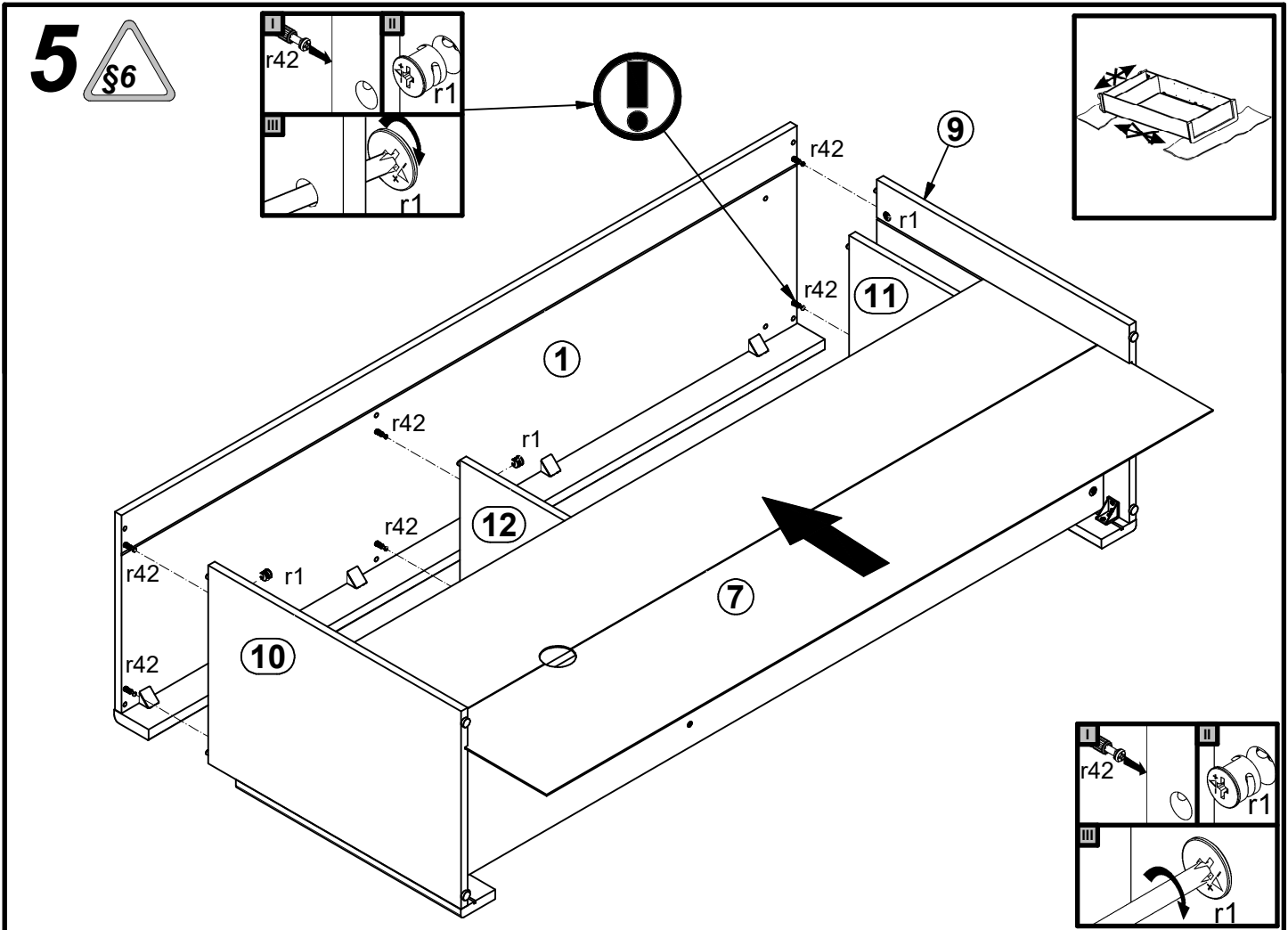
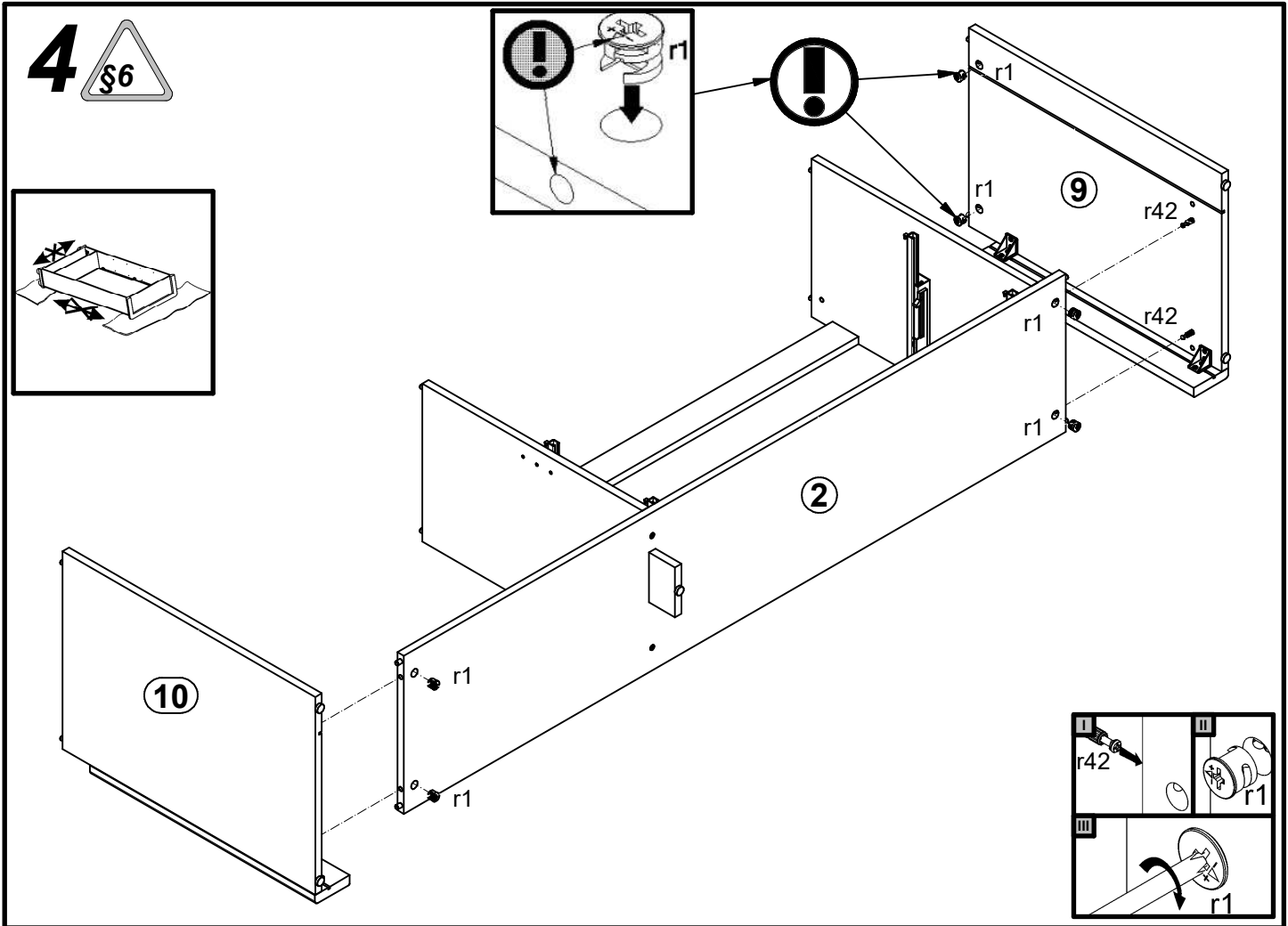


II



3 §6





8 §6

