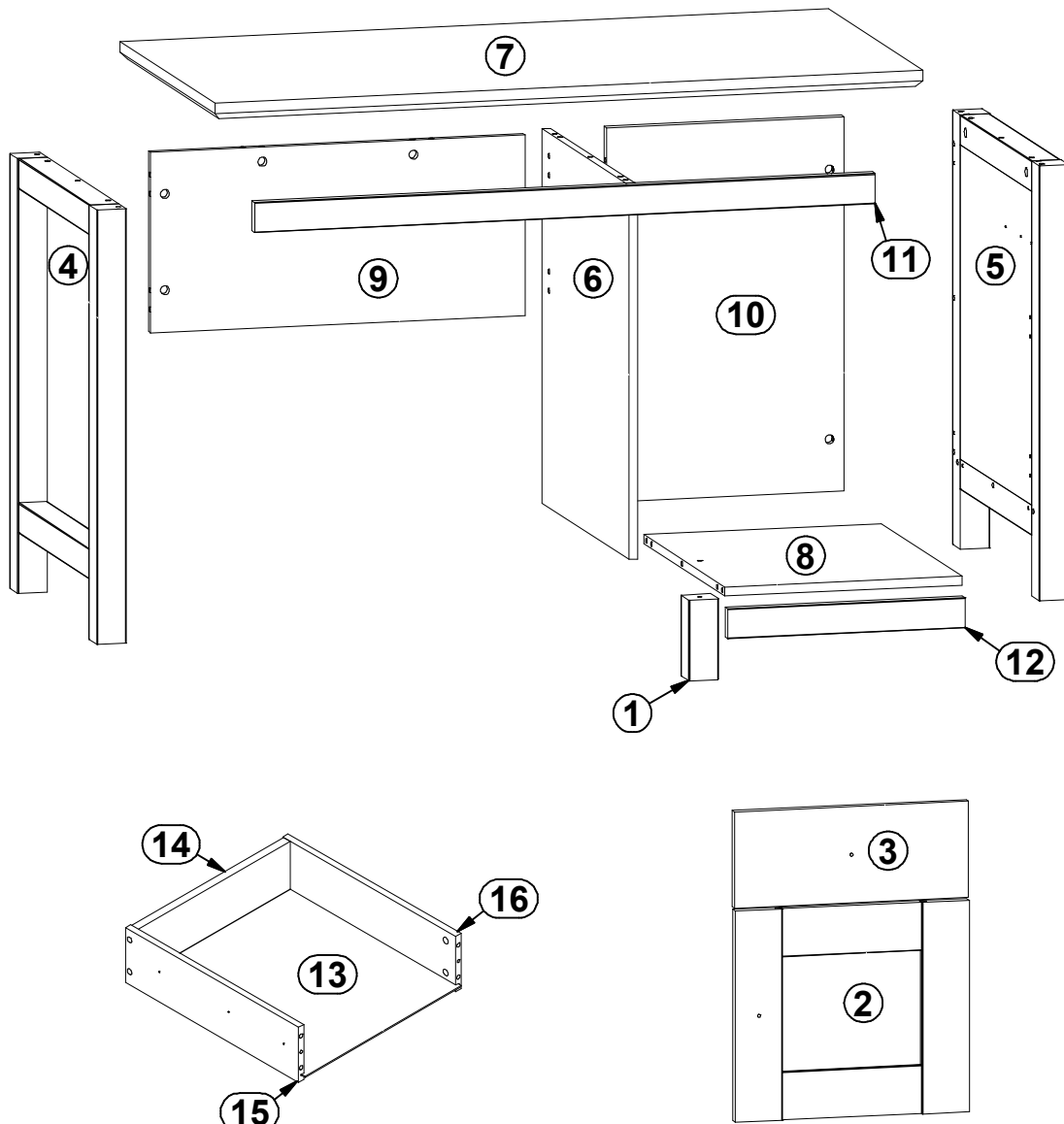
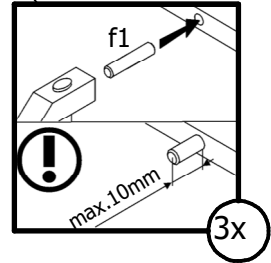
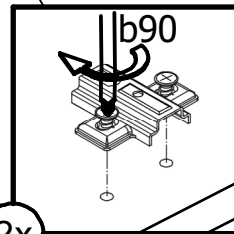
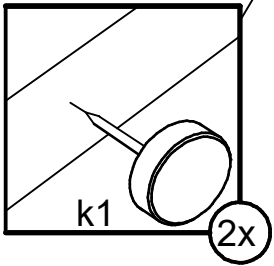
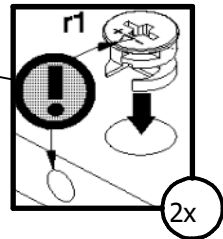
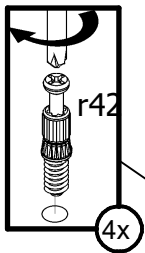
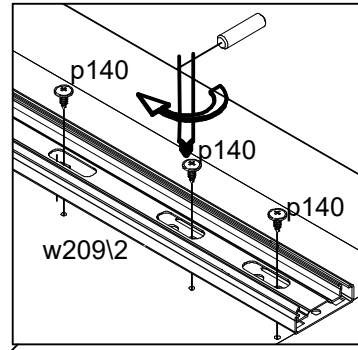
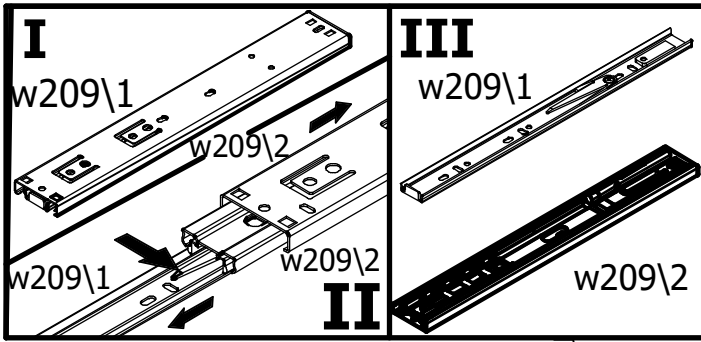
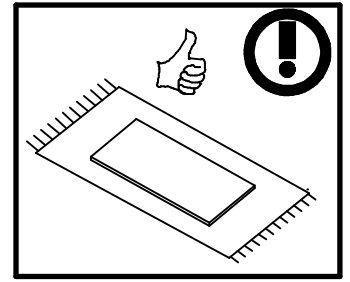


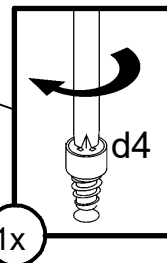
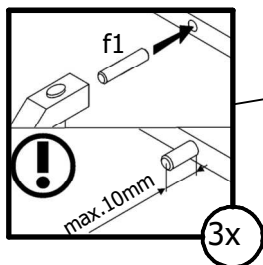
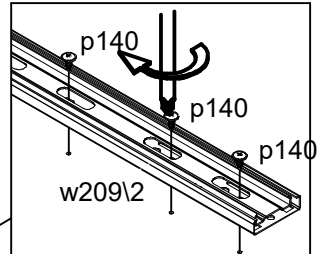
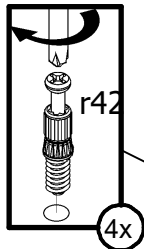
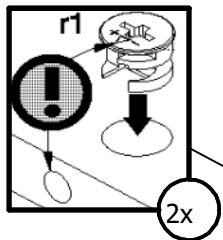
A	B	C1	C2	C3	D
1	S503-5005	134	50	50	2/2
2	S515-0017	351	396	19	2/2
3	S515-0018	396	160	15	2/2
4	S515-1038	722	550	50	1/2
5	S515-1039	722	550	50	1/2
6	S515-1040	622	548	15	1/2
7	S515-2012	1200	600	28	2/2
8	S515-3024	402	512	15	1/2
9	S515-4503	634	300	15	1/2
10	S515-4504	622	402	15	1/2
11	S515-5210	1051	50	19	2/2
12	S515-5211	402	50	19	2/2
13	WSP-9491	362	408	2,5	2/2
14	ZK3-5169	352	97	15	2/2
15	ZK4-525	400	110	12	2/2
16	ZK4-526	400	110	12	2/2



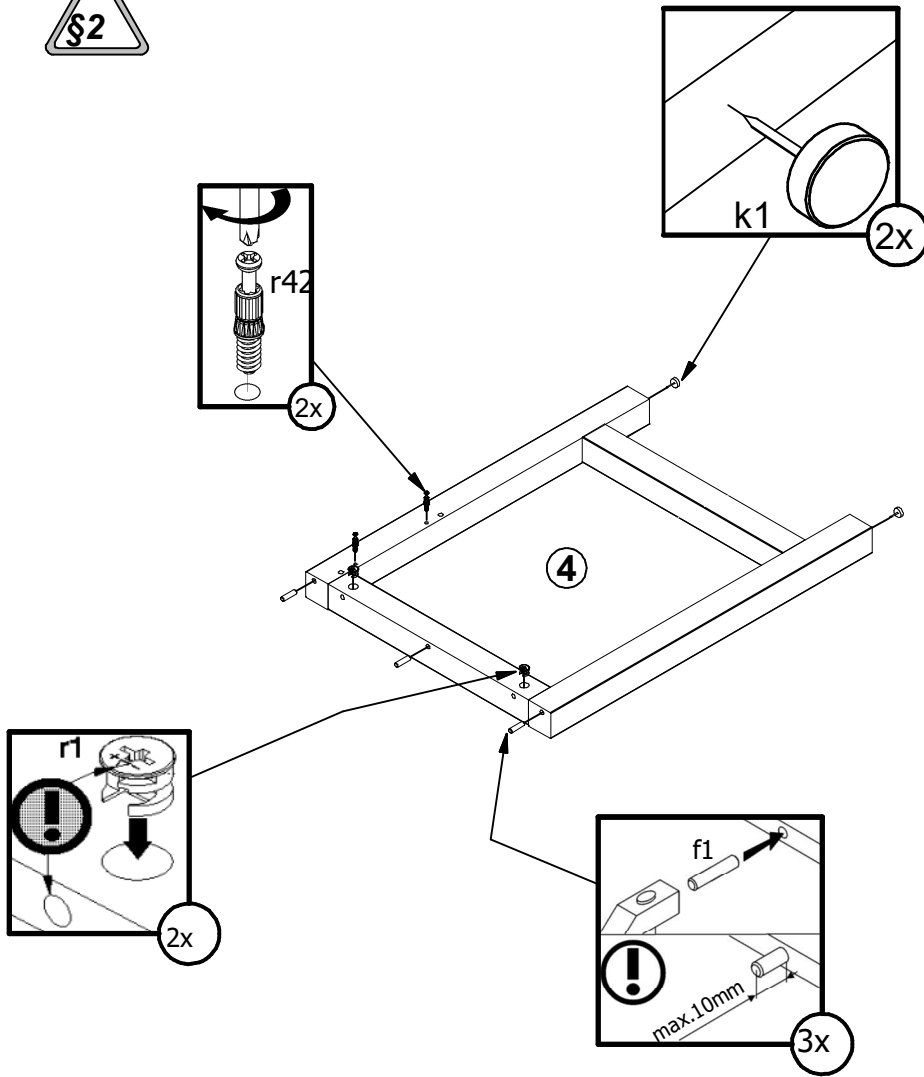
1



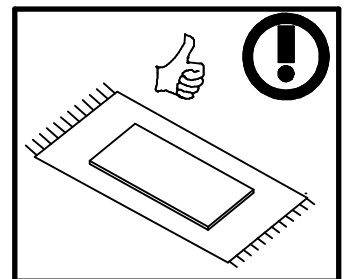
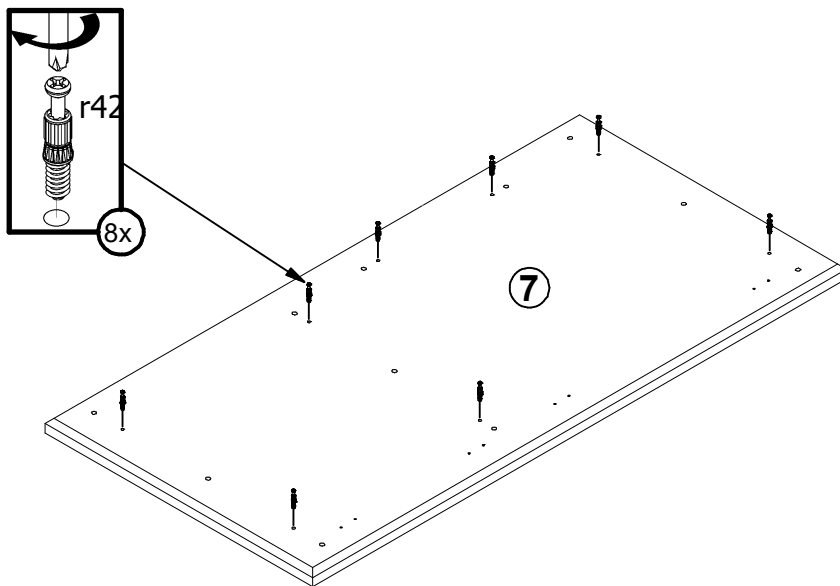
2



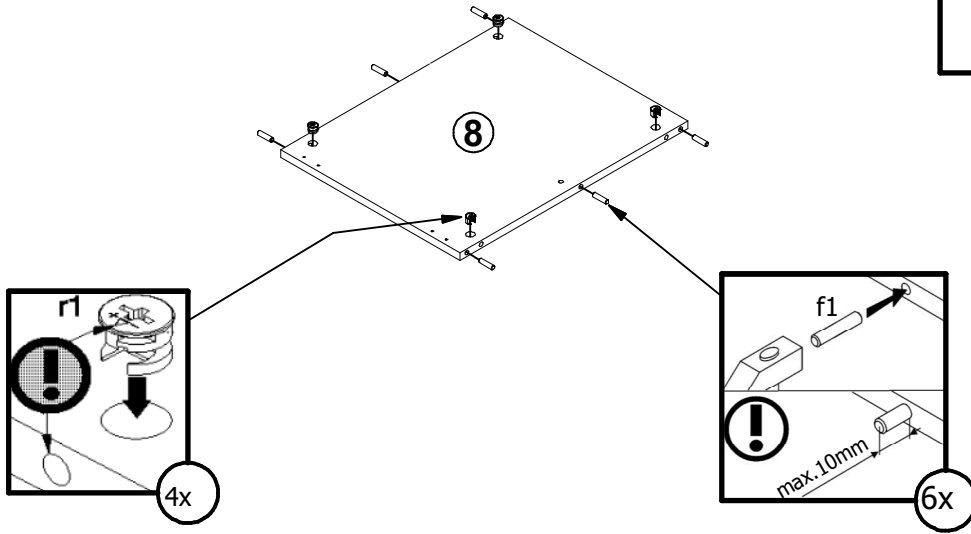
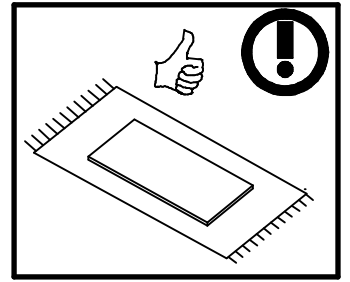
3



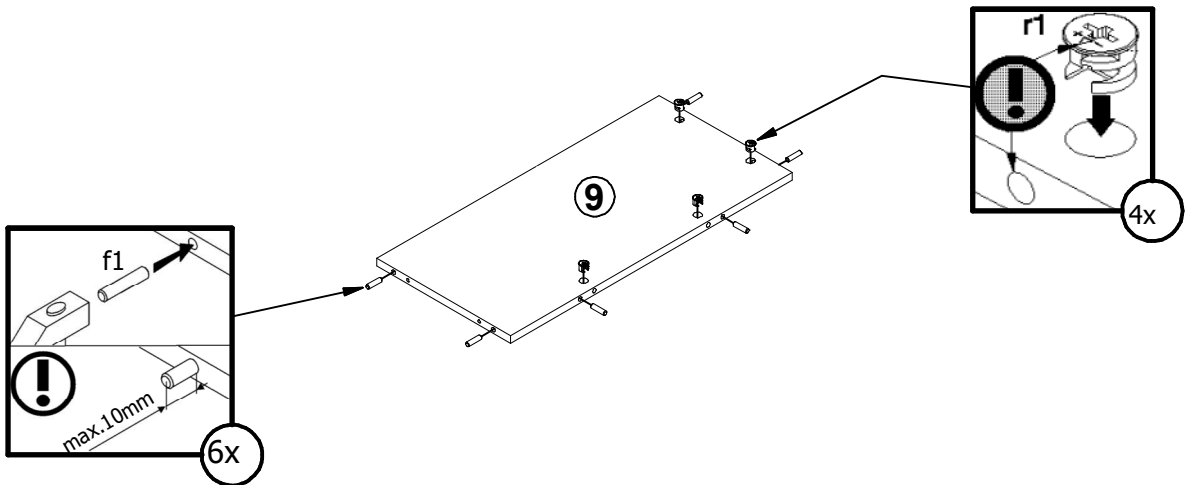
4



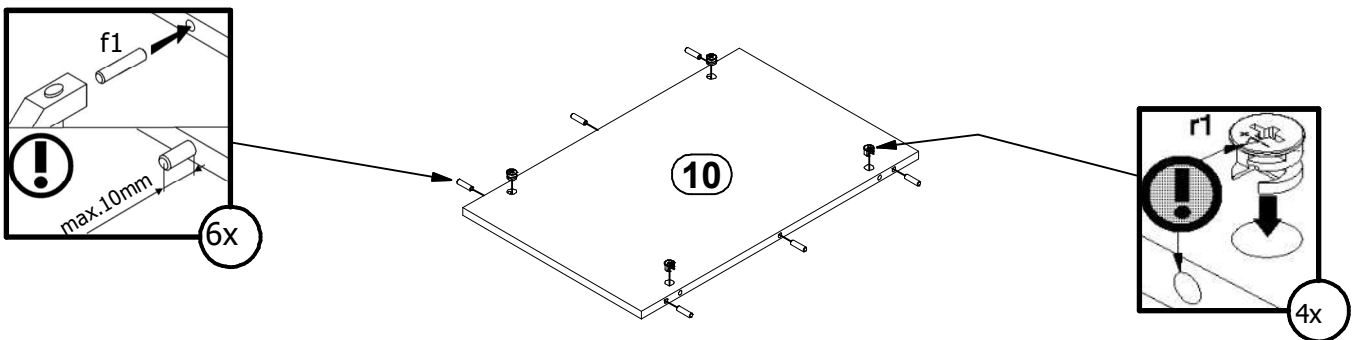
5



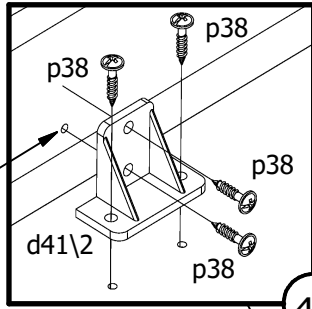
6



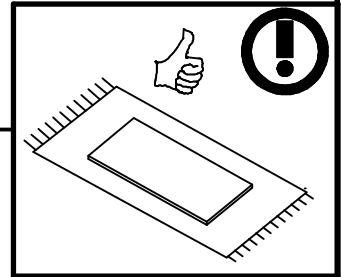
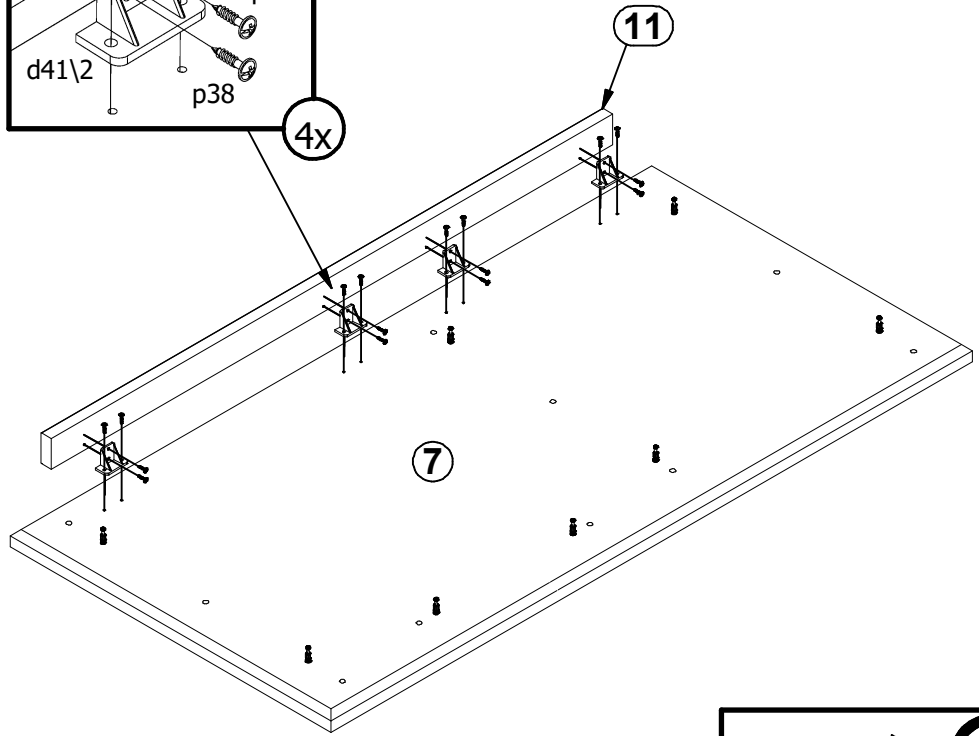
7



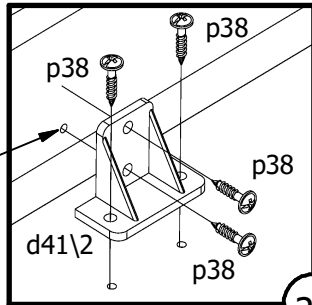
8



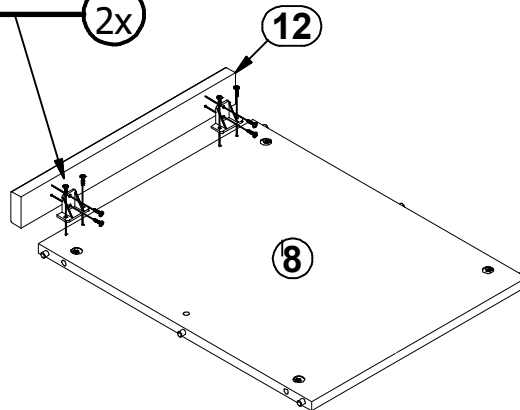
4x



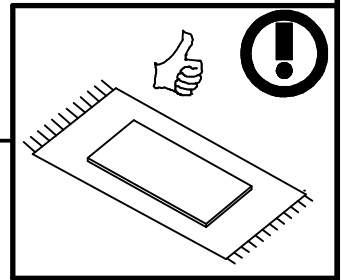
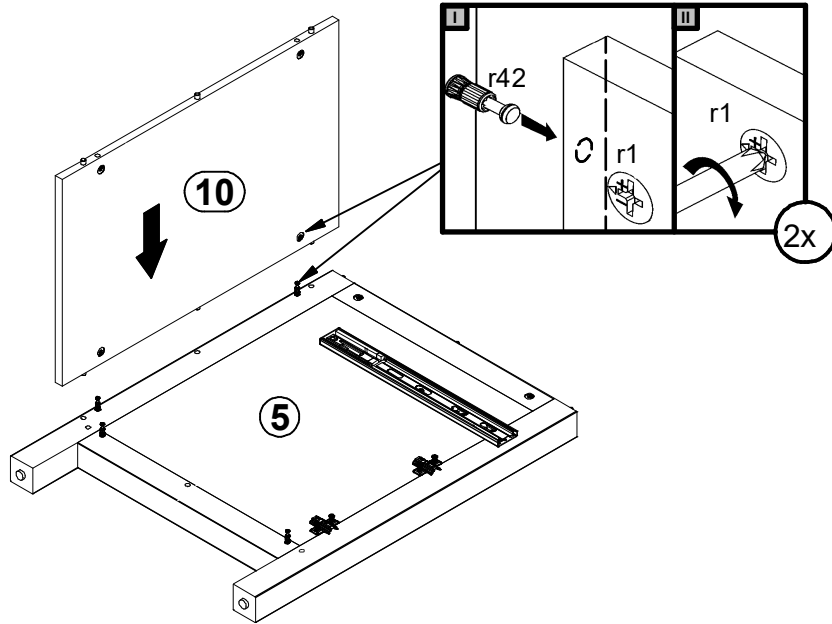
9



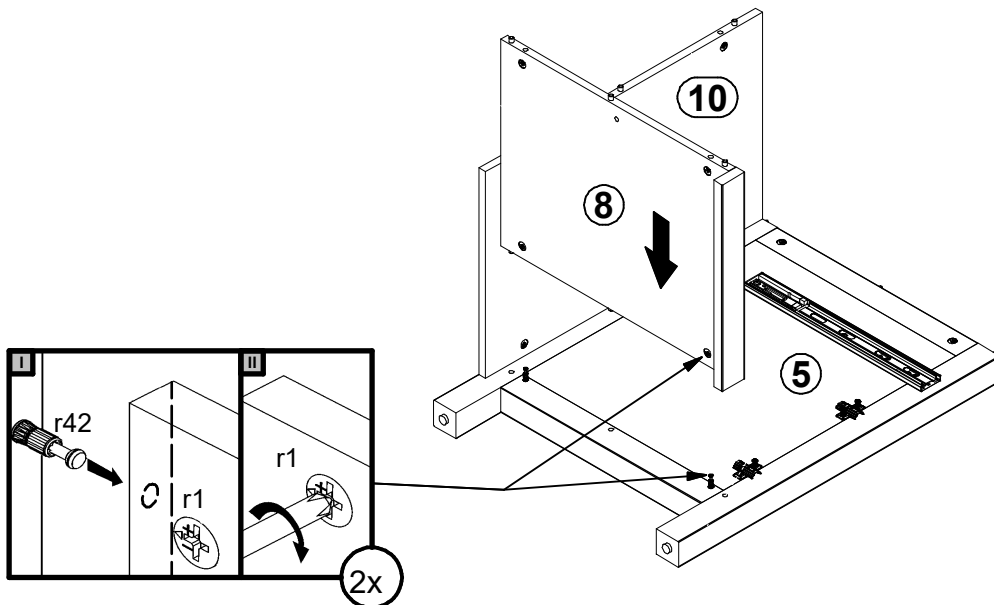
2x



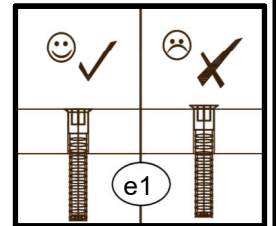
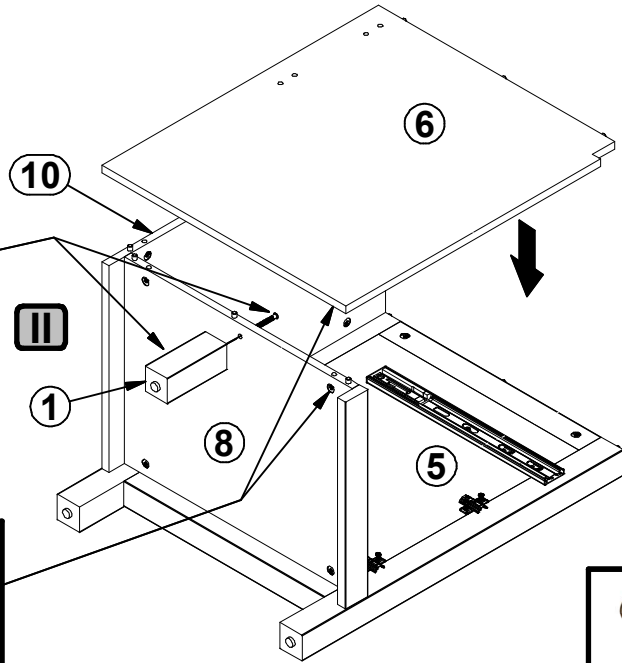
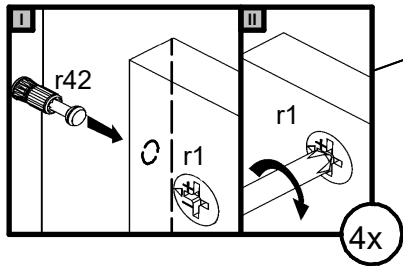
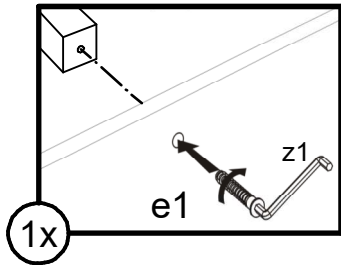
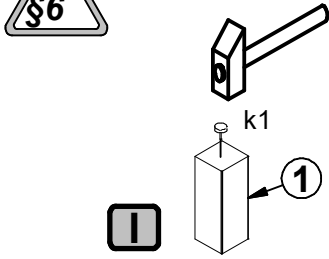
10



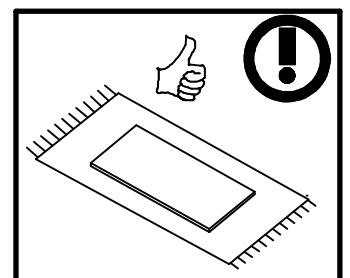
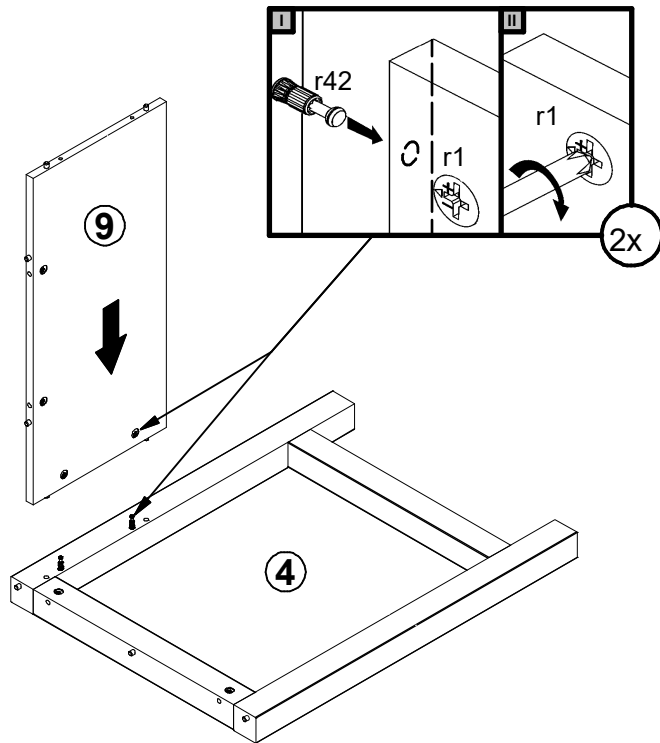
11



# 12

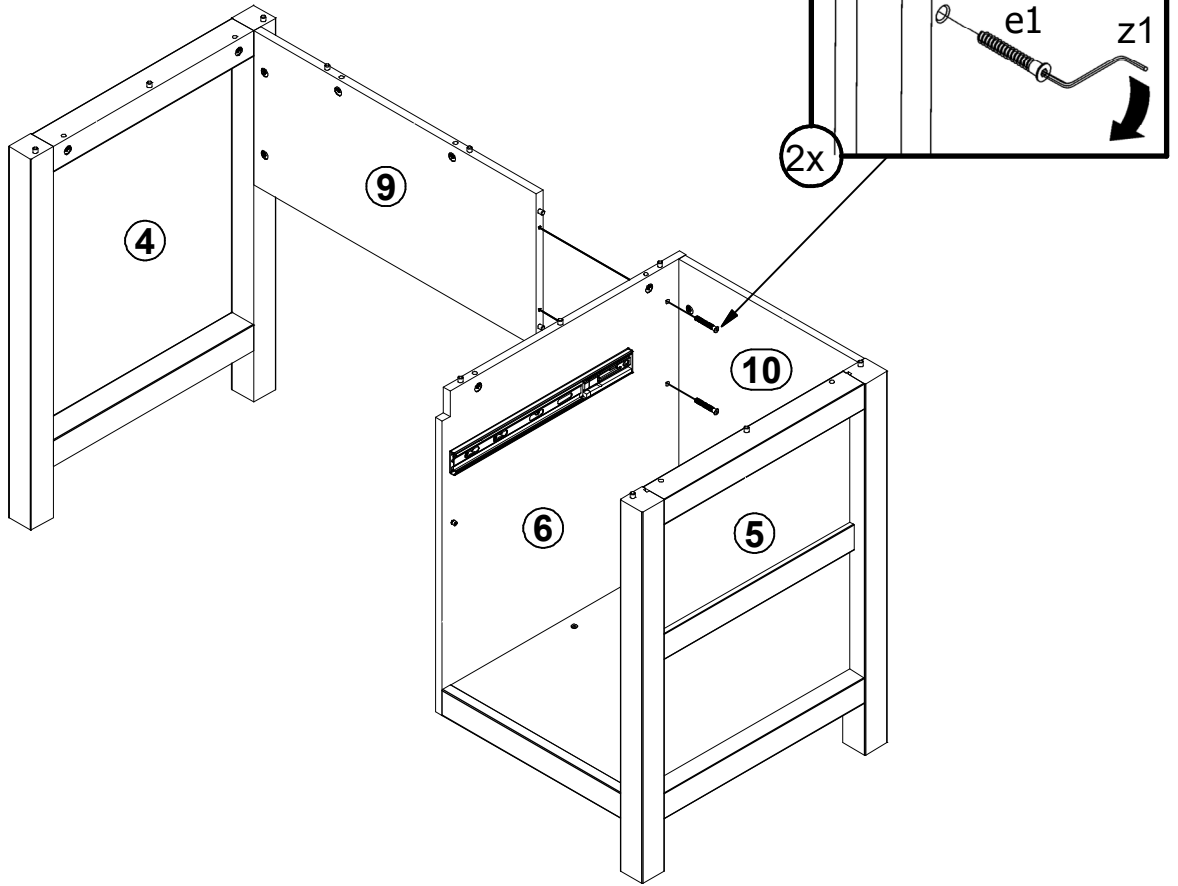


# 13

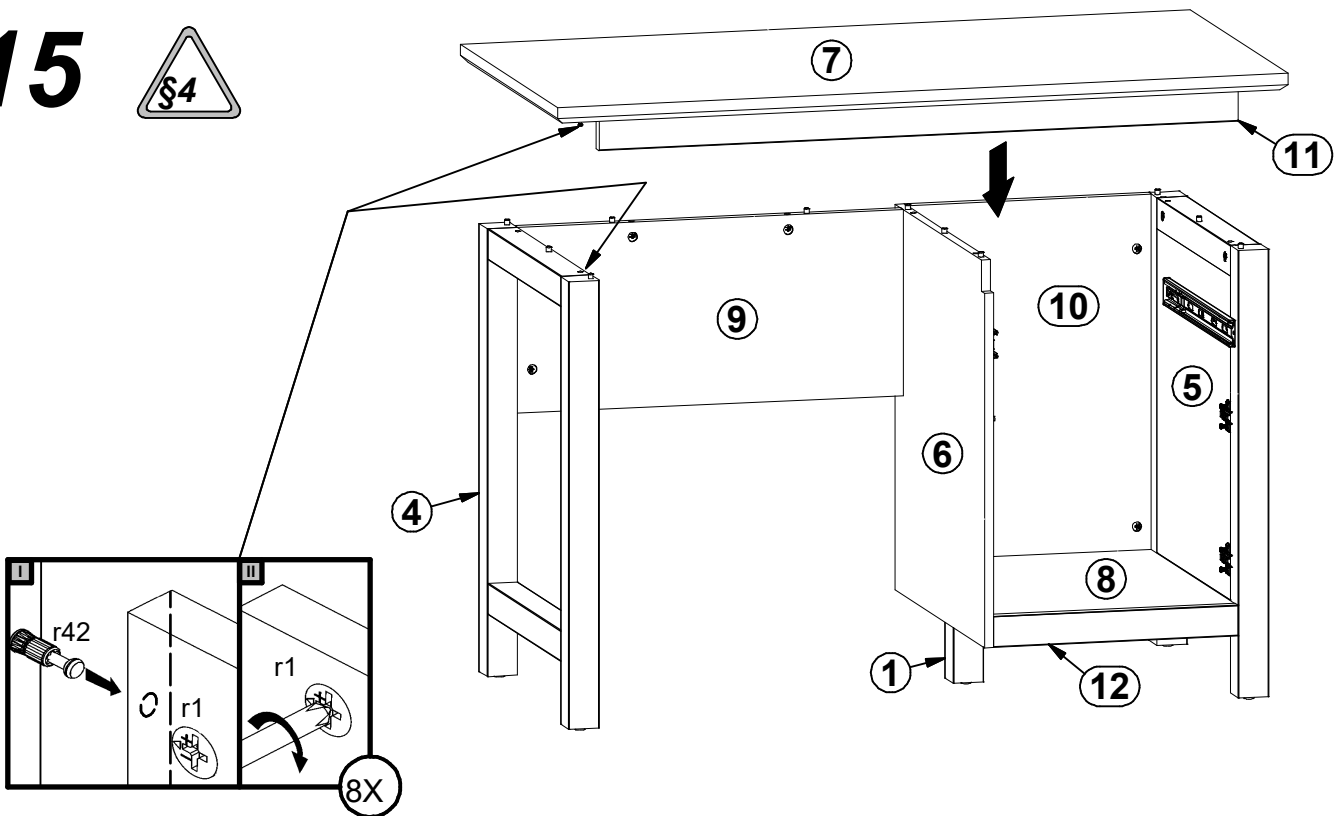




14



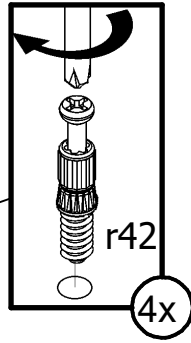
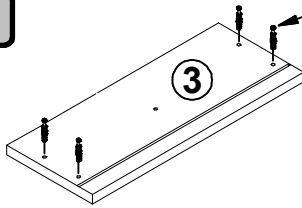
15



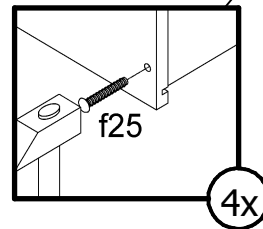
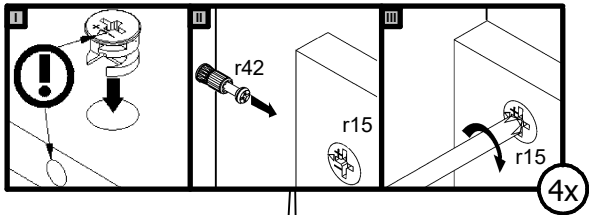
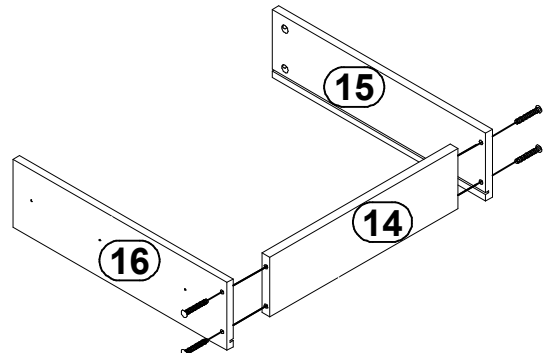
16



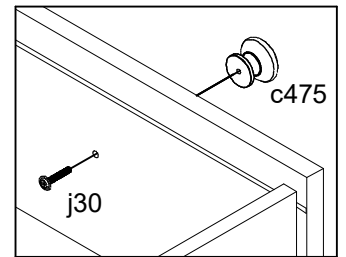
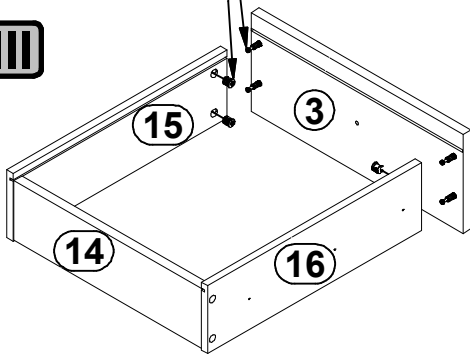
I



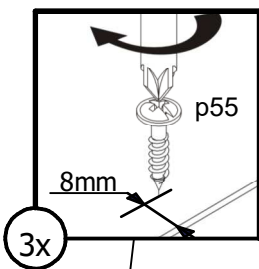
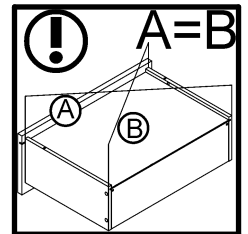
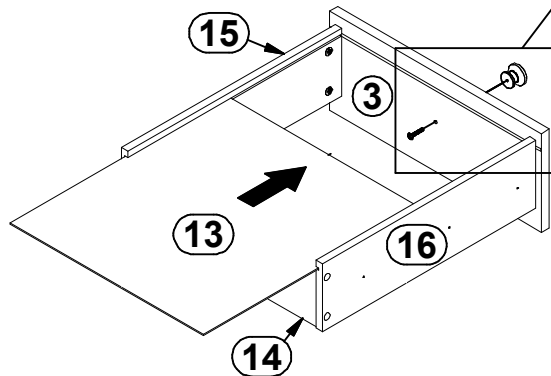
II



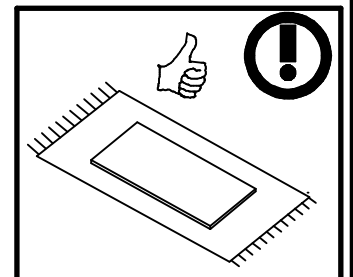
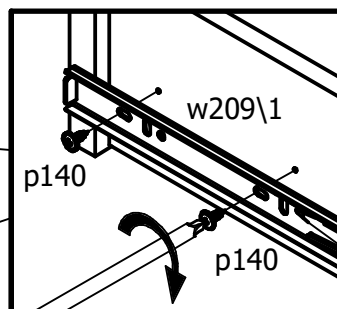
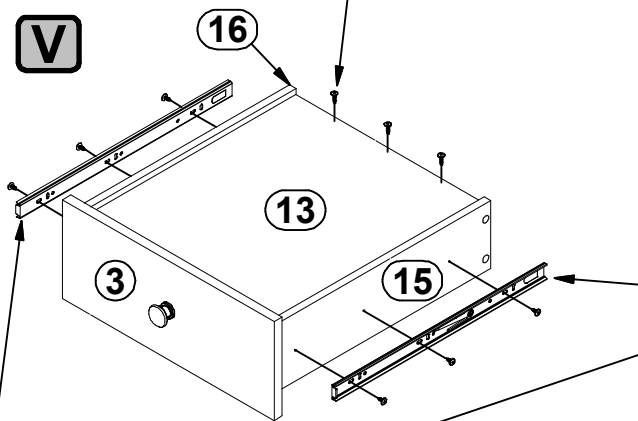
III



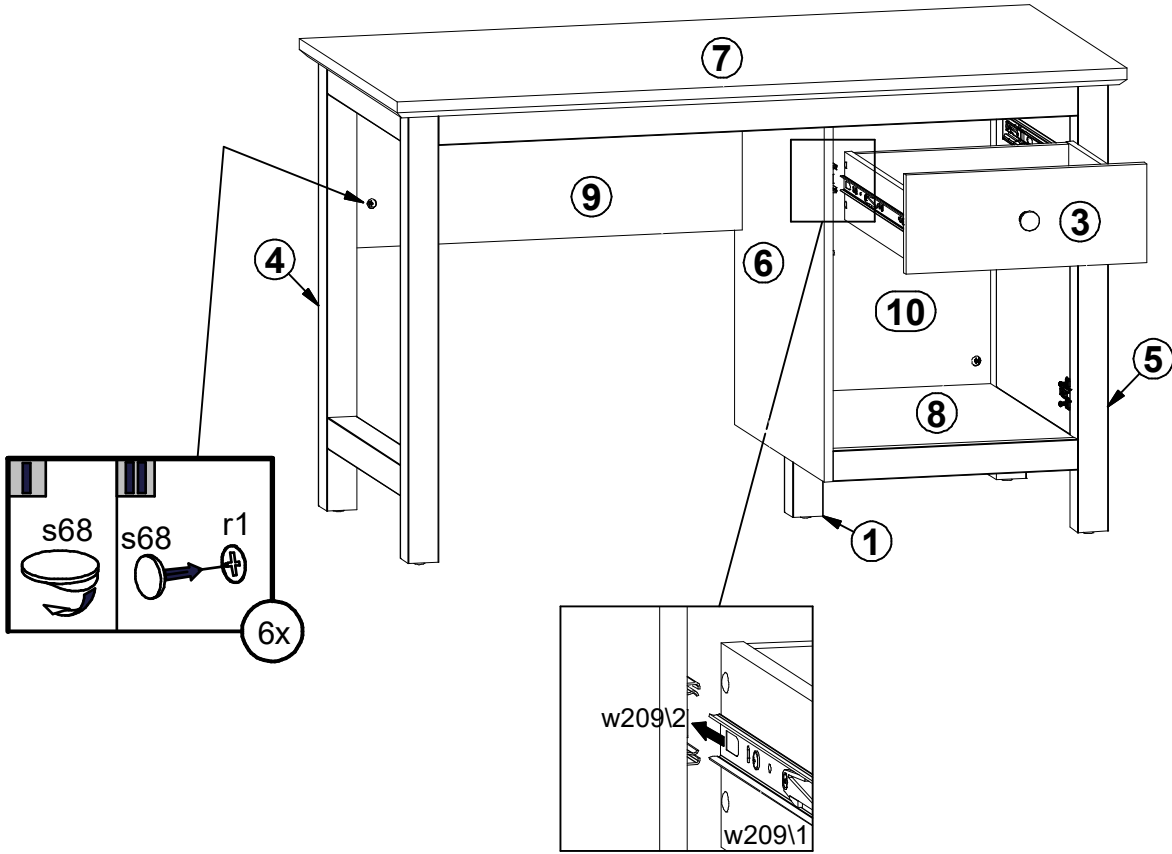
IV



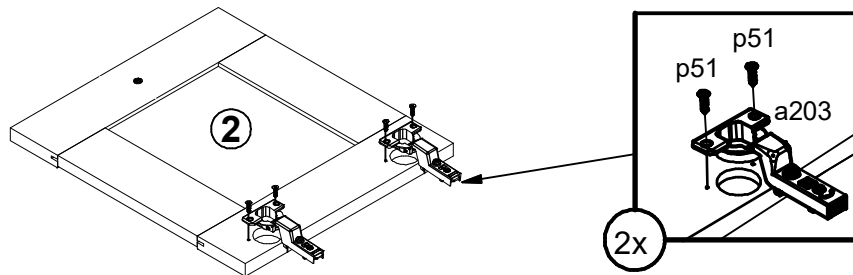
V



17



18



# 19

