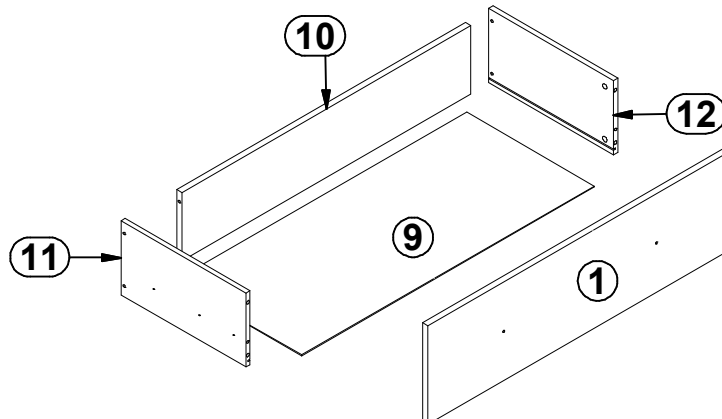
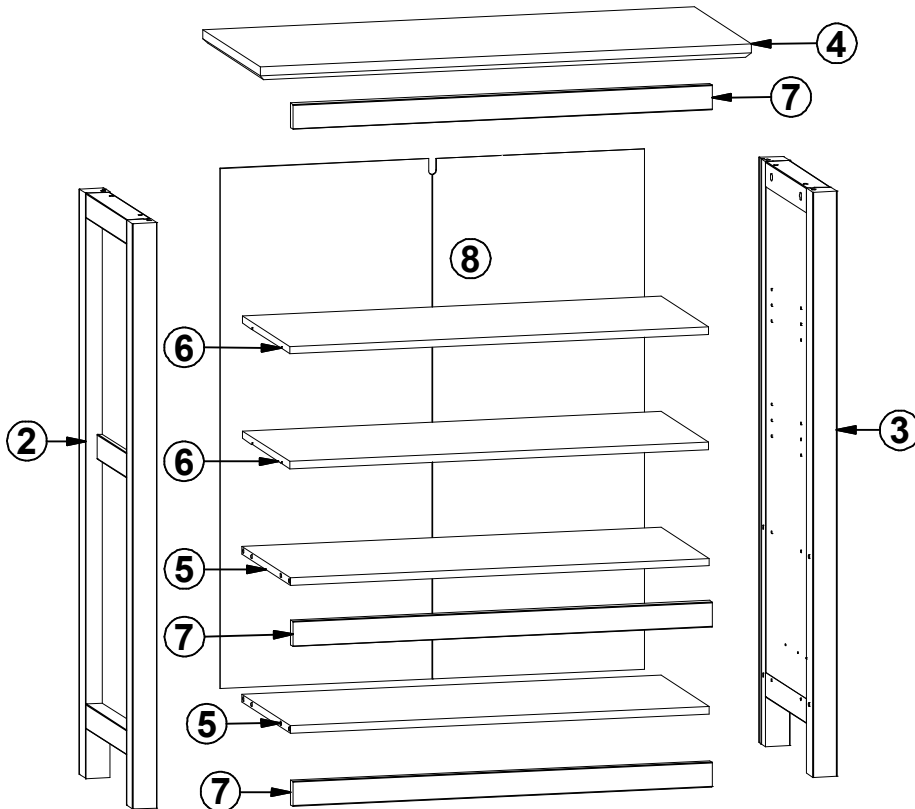
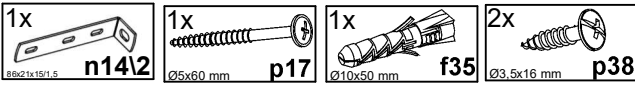
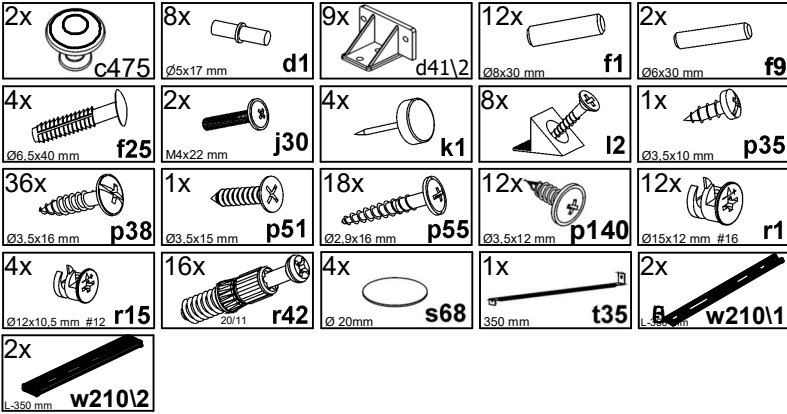
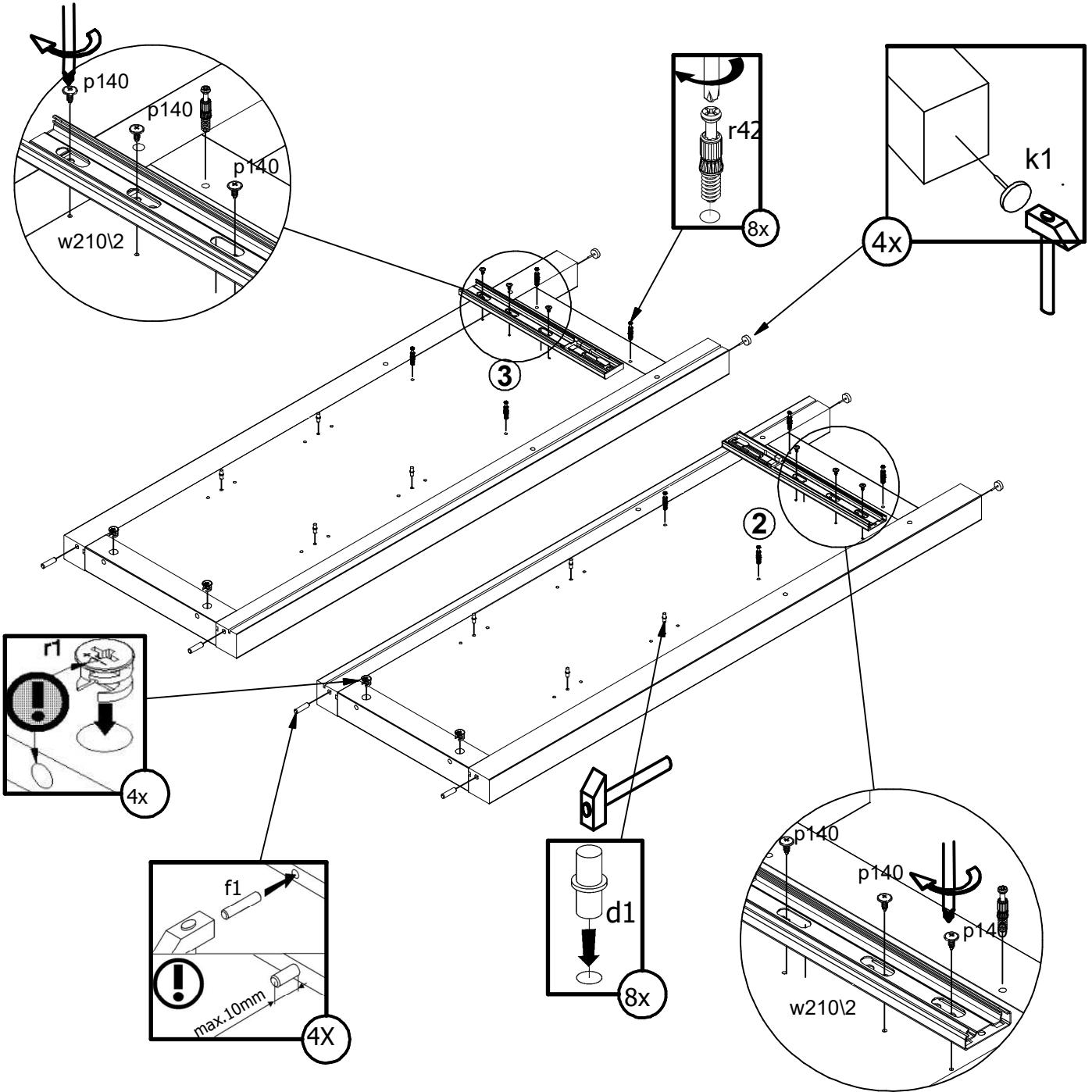
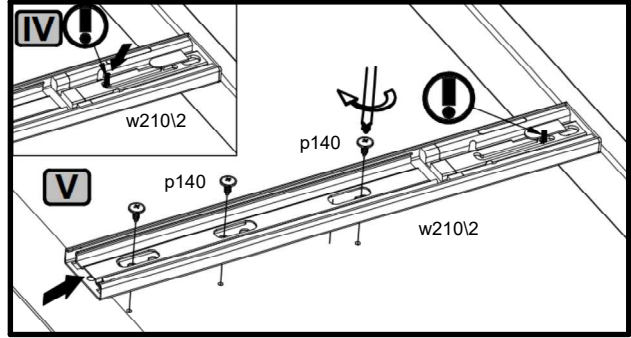
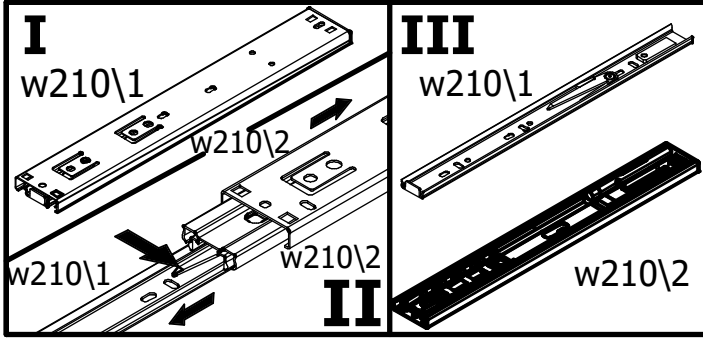
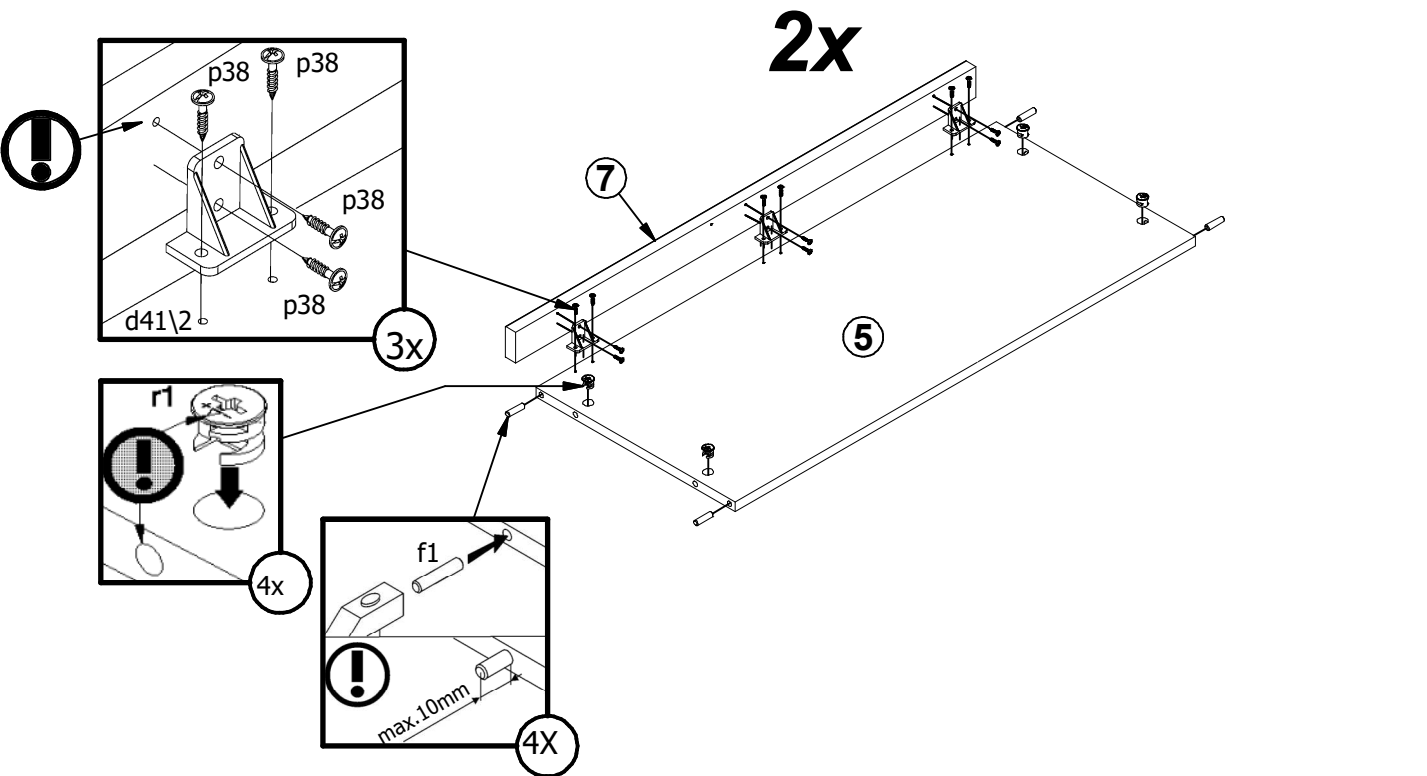
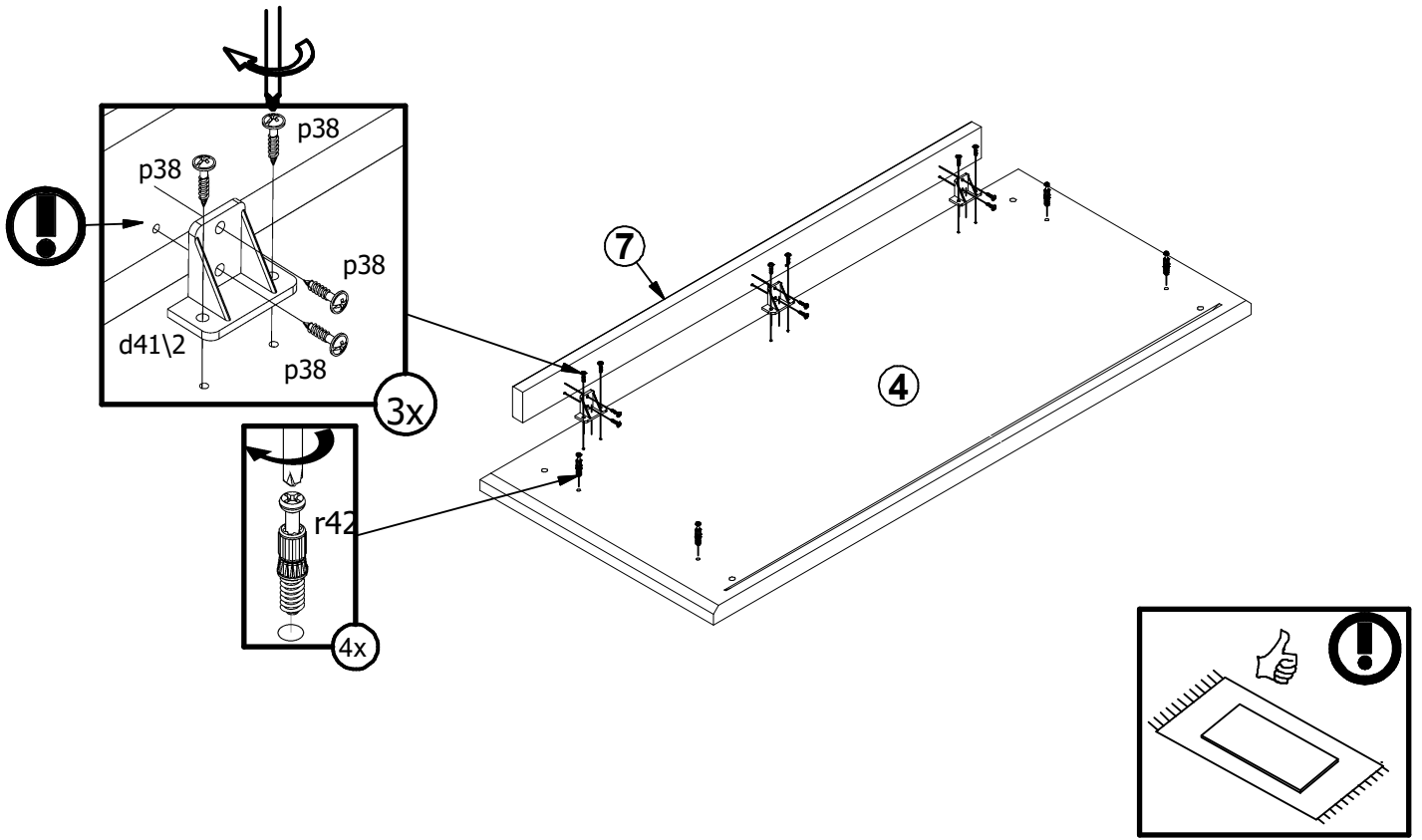




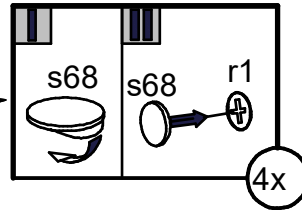
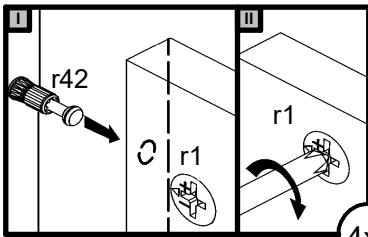
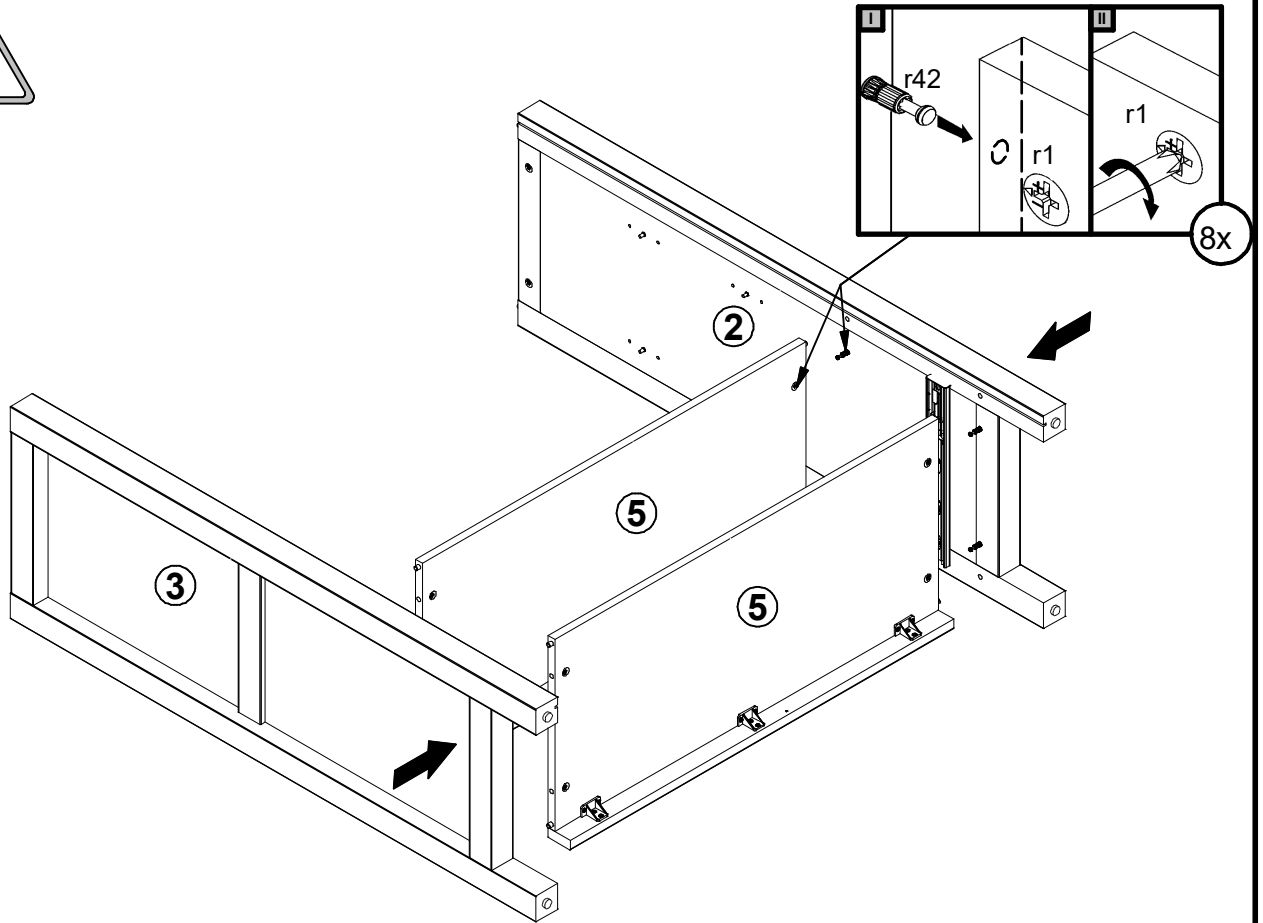
A	B	W	C1	C2	C3	D
1	S515-0007	-	855	240	15	2/2
2	S515-1043	-	1179	413	50	1/2
3	S515-1044	-	1179	413	50	1/2
4	S515-2004	A	1010	438	28	2/2
5	S515-3011	A	861	372	15	2/2
6	S515-3025	-	860	362	15	2/2
7	S515-5204	-	861	50	19	2/2
8	S515-9303	-	1048	871	2,5	1/2
9	WSP-9331	-	821	358	2,5	2/2
10	ZK3-5077	-	811	167	15	2/2
11	ZK4-503	-	350	180	12	2/2
12	ZK4-504	-	350	180	12	2/2



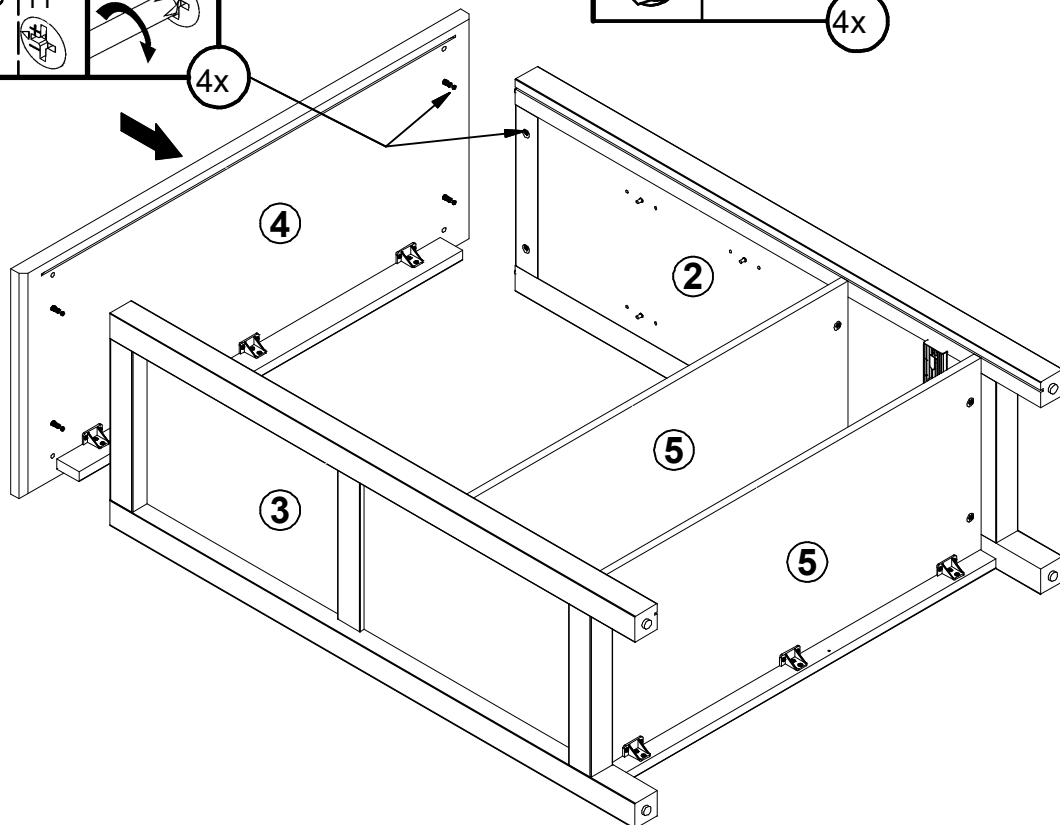


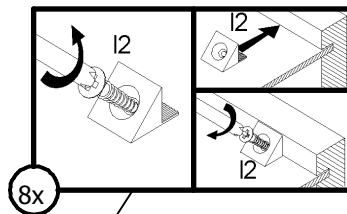
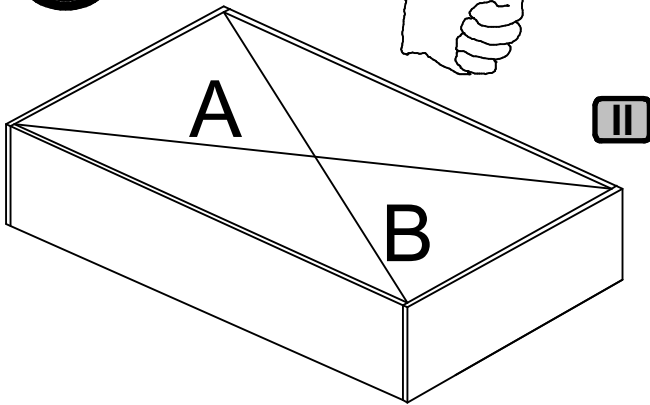
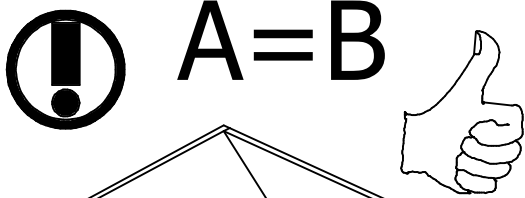
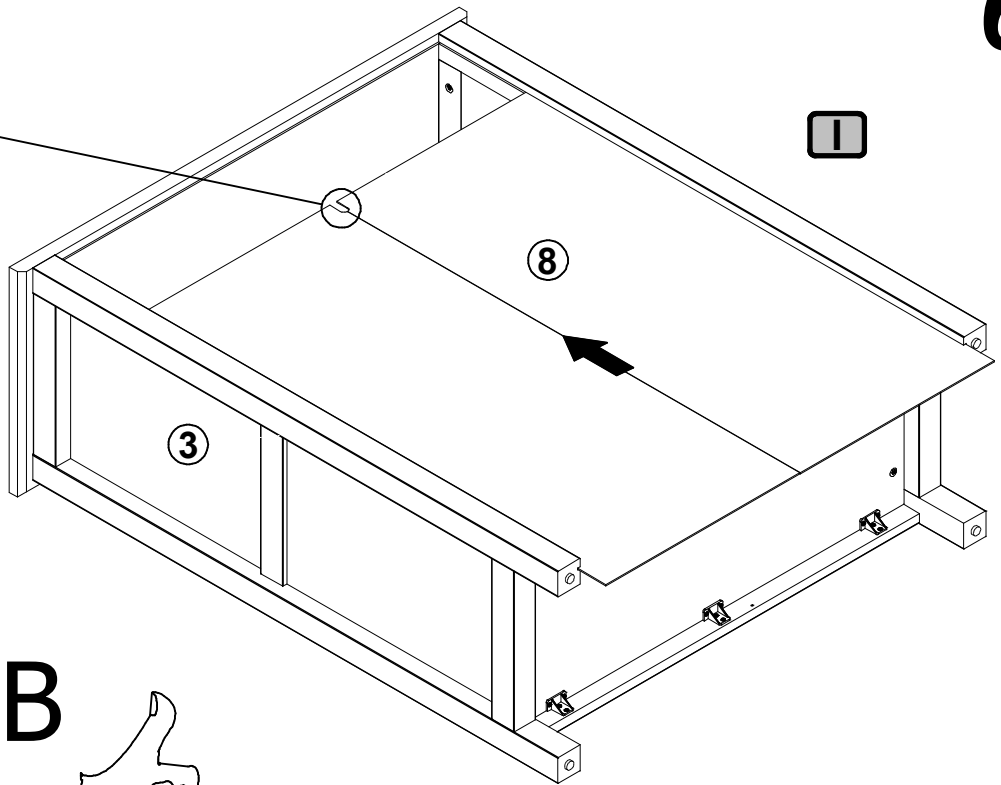
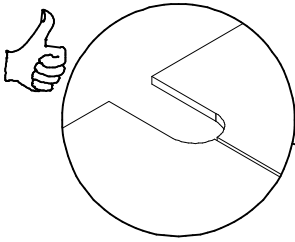


4

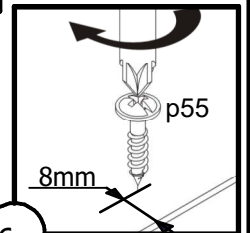


5



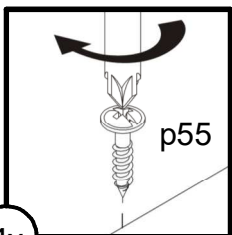
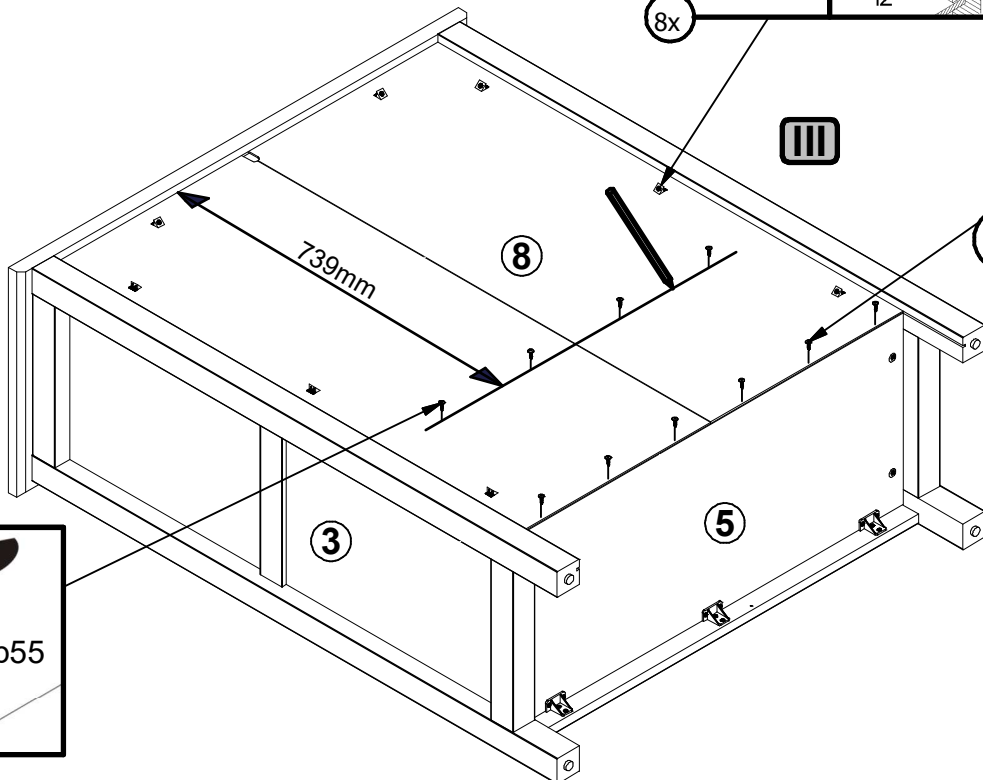


8x



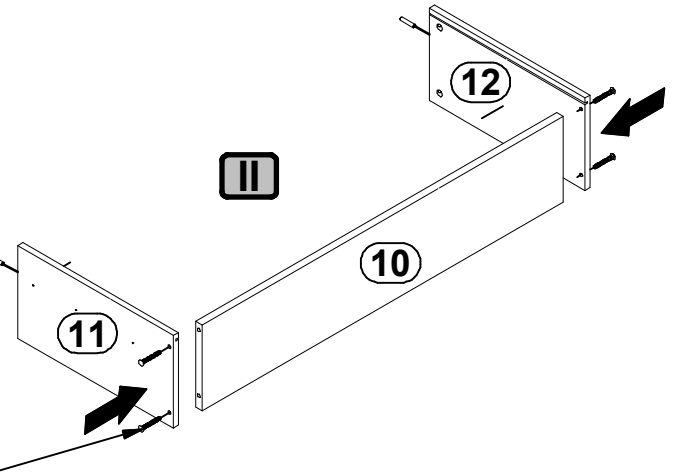
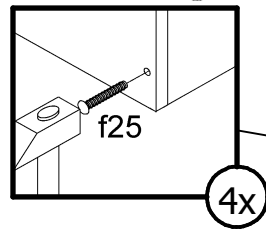
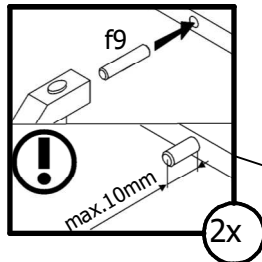
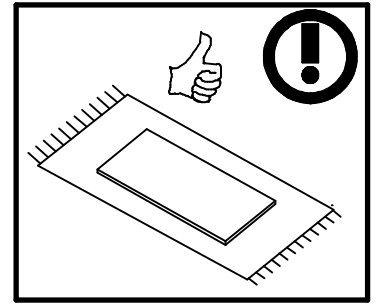
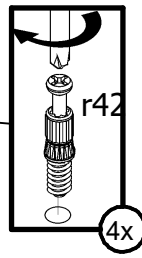
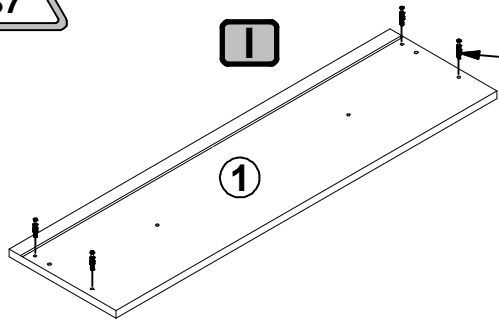
6x

III

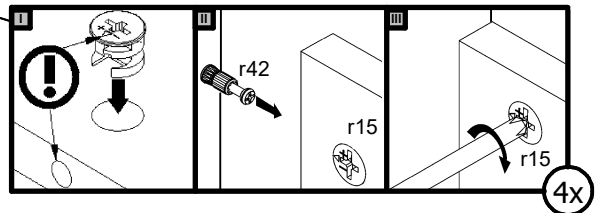
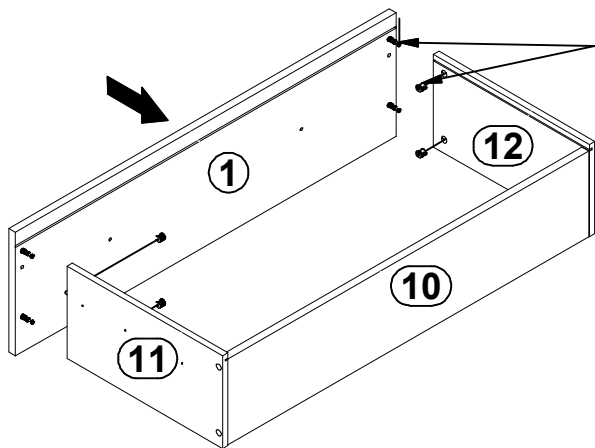


4x

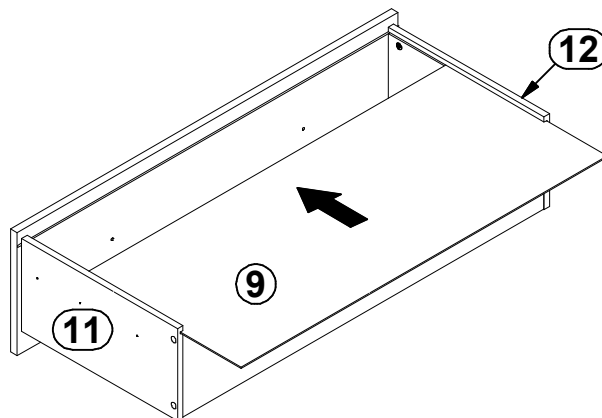
7

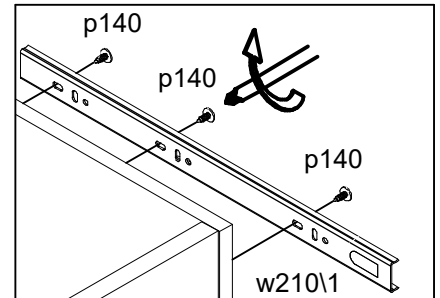
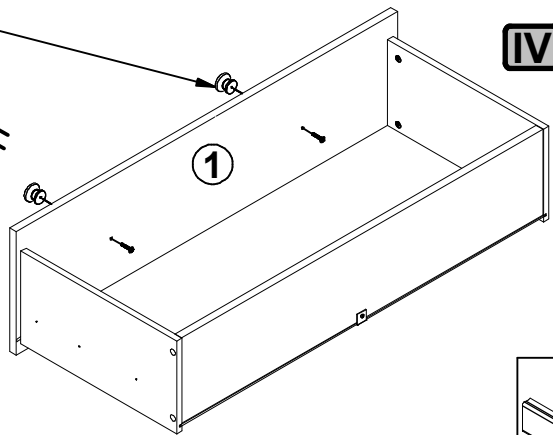
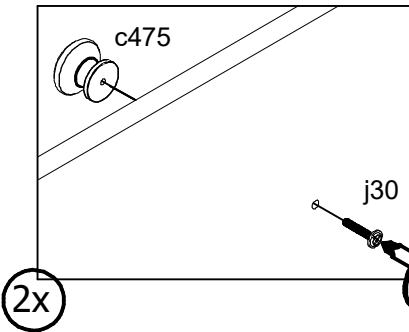
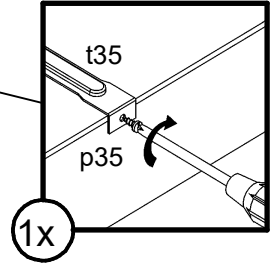
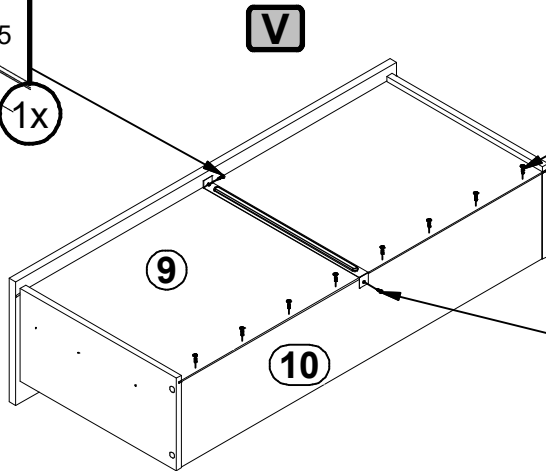
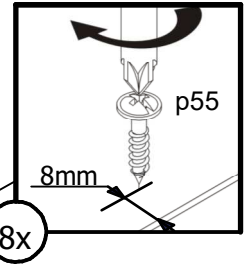
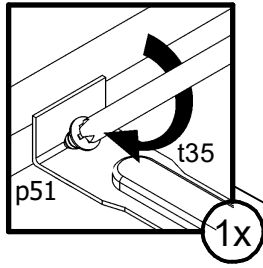
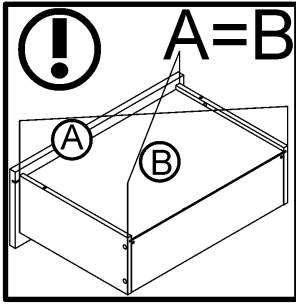


III

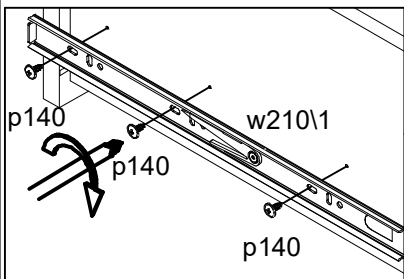
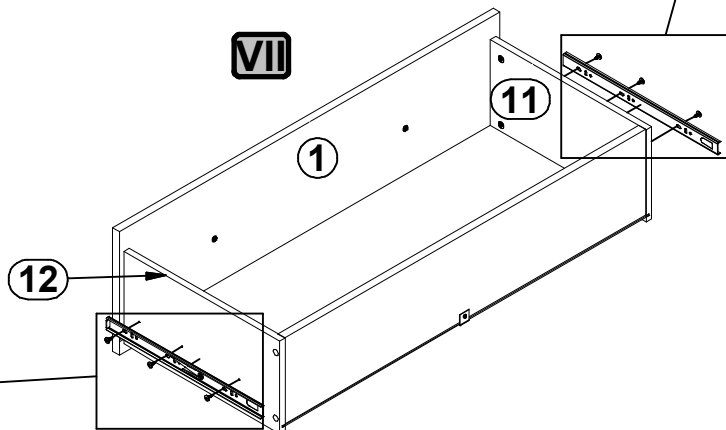


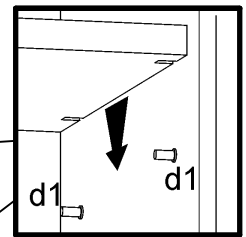
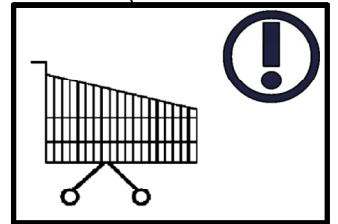
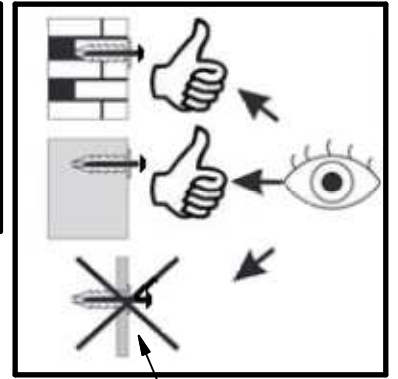
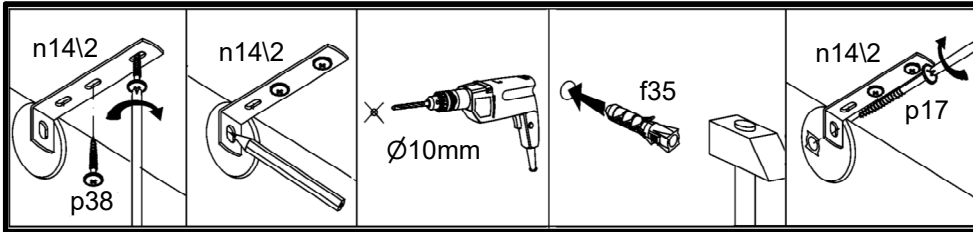
IV





VII





8

