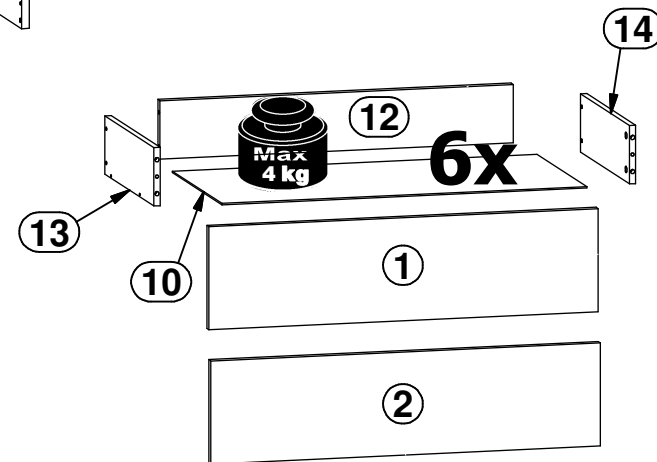


A	B	C (mm)			D
1	S442-0006	746	194	15	2/2
2	S442-0007	746	194	15	2/2
3	S442-1019	732	430	15	1/2
4	S442-1020	732	430	15	1/2
5	S442-1023	732	410	15	1/2
6	S442-2007	1499	450	18	2/2
7	S442-4031	726	60	15	2/2
8	S442-4032	726	60	15	2/2
9	S442-4033	726	60	15	1/2
10	S442-9009	699	357	2,5	2/2
11	S442-9308	692	739	2,5	1/2
12	ZS7-5091	677	110	15	2/2
13	ZS7-521	350	110	12	1/2
14	ZS7-522	350	110	12	1/2



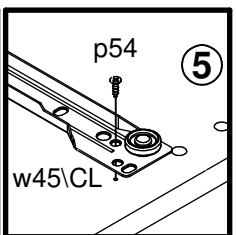
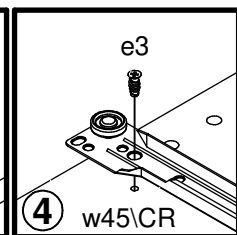
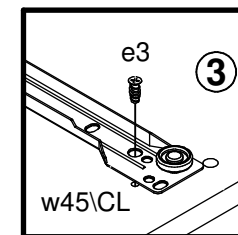
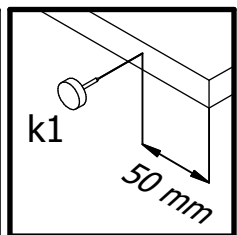
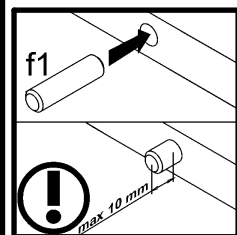
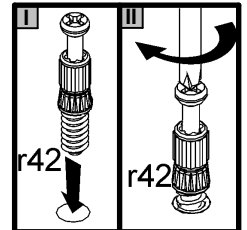
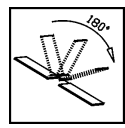
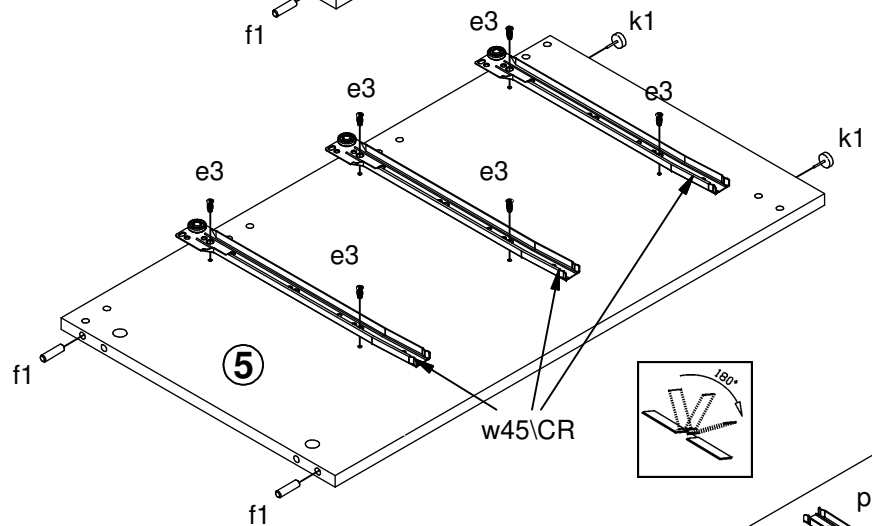
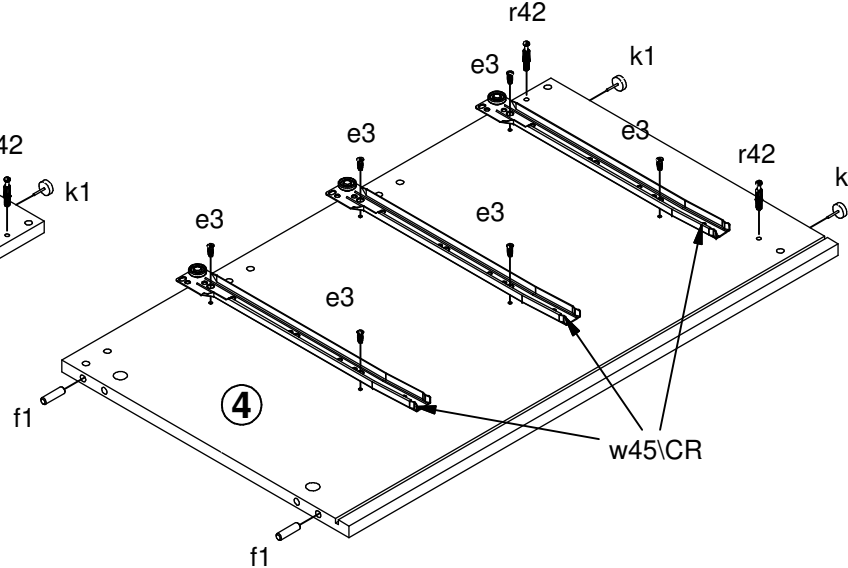
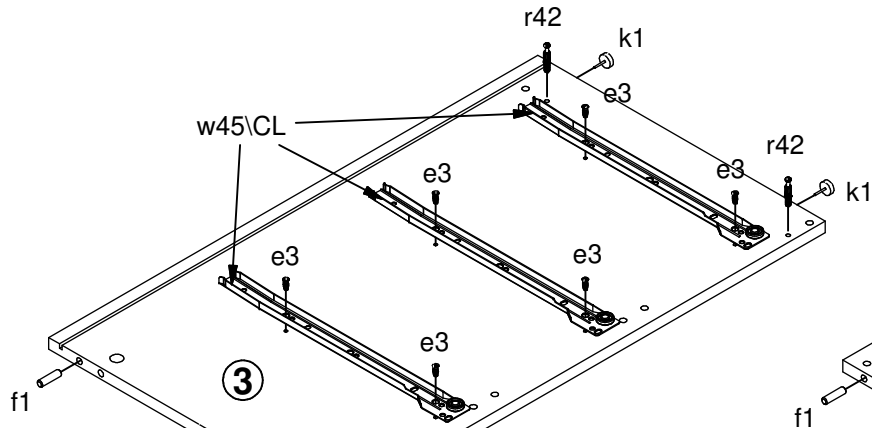
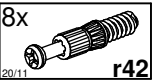
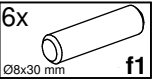
24x Ø5x9 mm e19	18x Ø6x13 mm e3	22x Ø8x30 mm f1	24x Ø6,5x40 mm f25
8x l2	4x 22x9,5x20,7 mm n108	6x Ø3,5x15 mm p51	6x Ø3x12 mm p54
6x 350 mm w45IDL	6x 350 mm w45IDR	1x n26	1x Ø3,5x16 mm p38



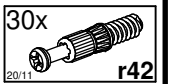
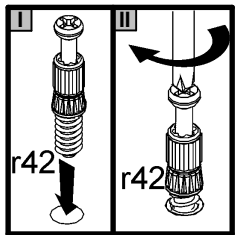
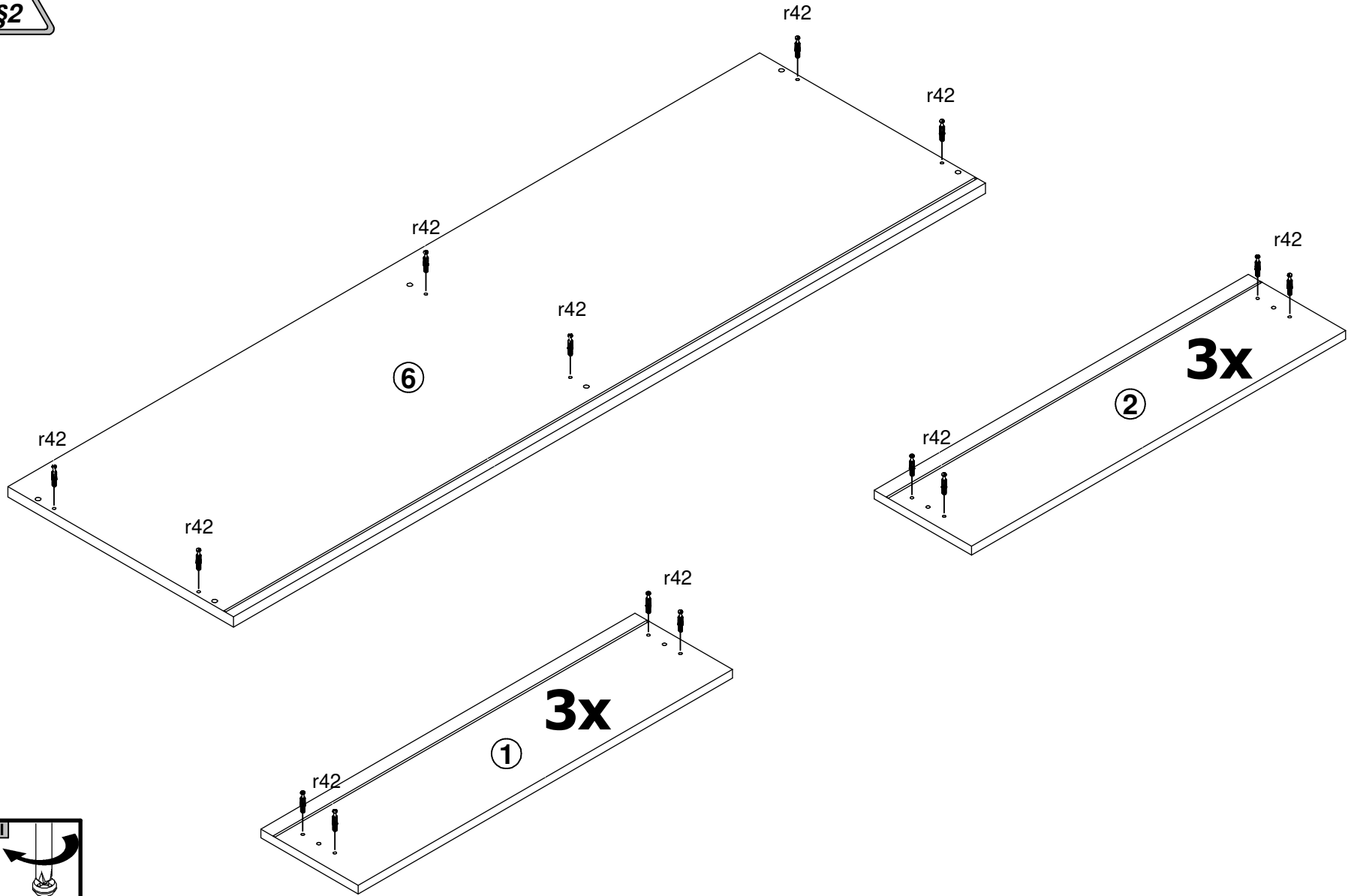
12x Ø6x30 mm f9	8x Ø8x50 mm f6	6x k1
48x Ø2,9x16 mm p55	6x Ø3,5x12 mm p140	14x Ø15x12 mm #16 r1
2x r10	24x Ø12x10,5 mm #12 r15	34x 20/11 r42
6x 350 mm t35	6x 350 mm w45CL	6x 350 mm w45CR

D
1/2

1 

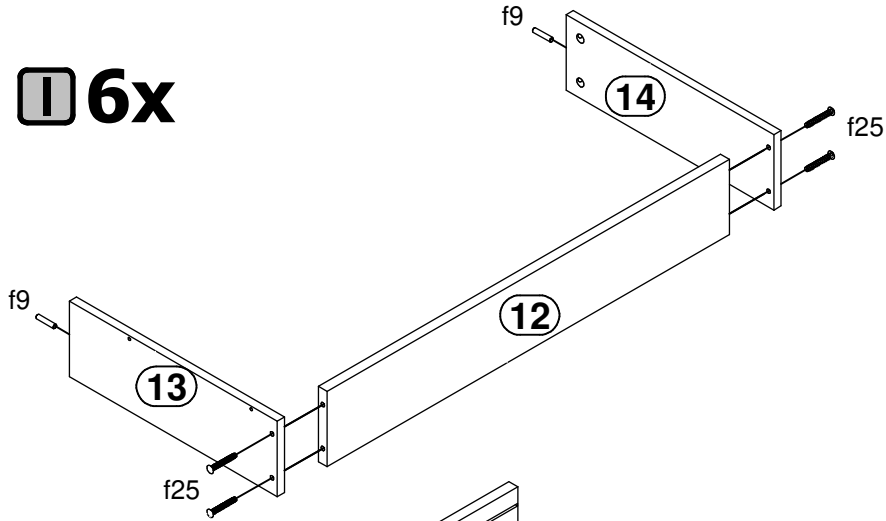


2 

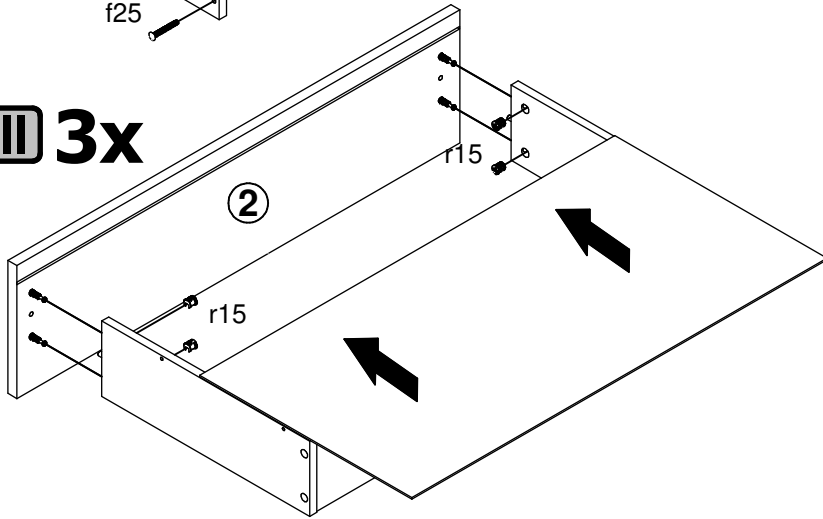


3  

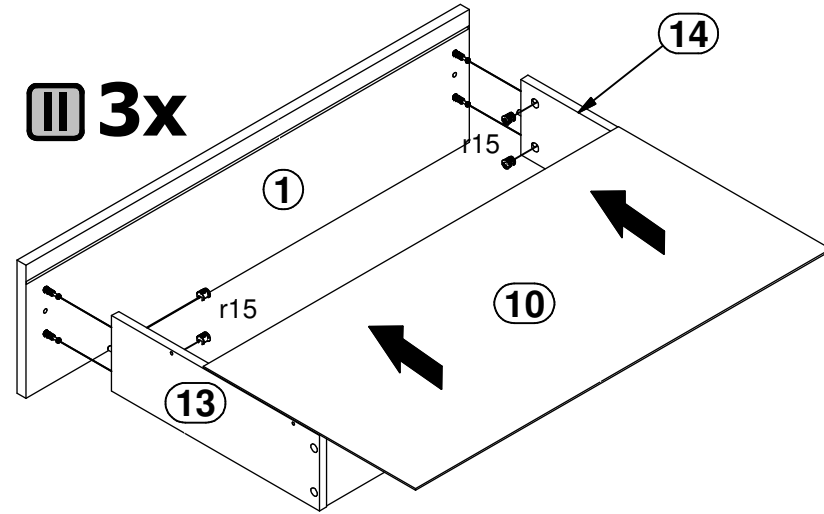
I 6x



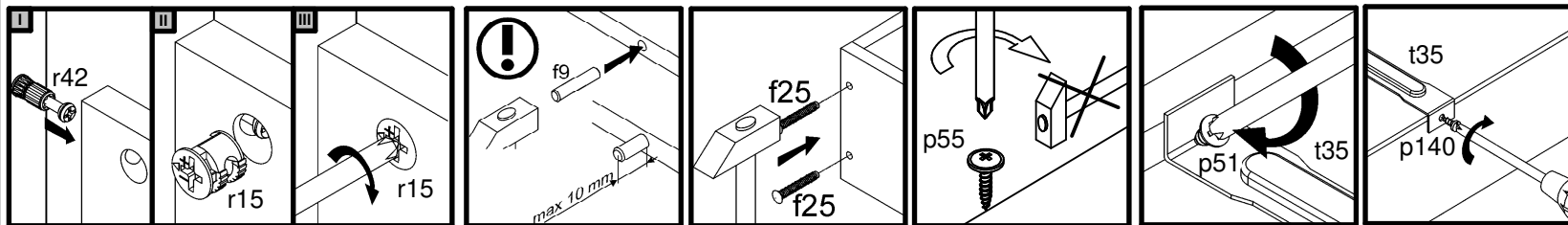
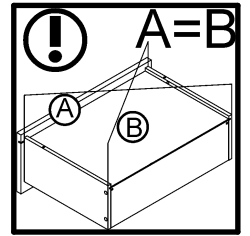
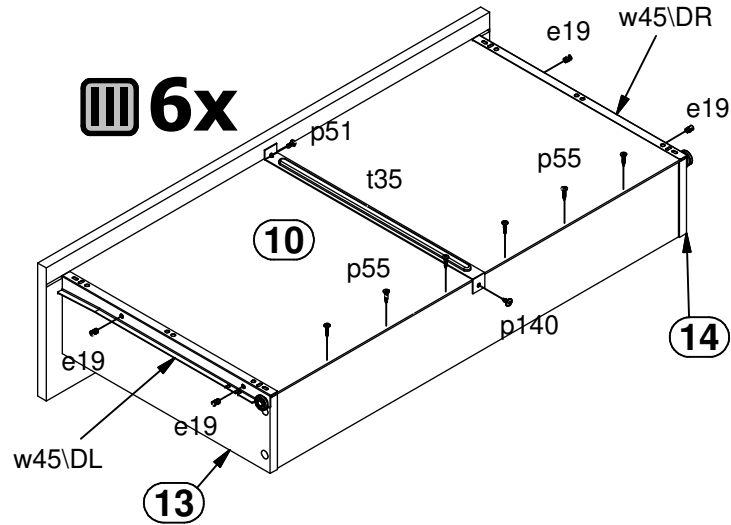
II 3x


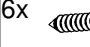



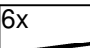
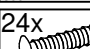

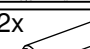


III 3x

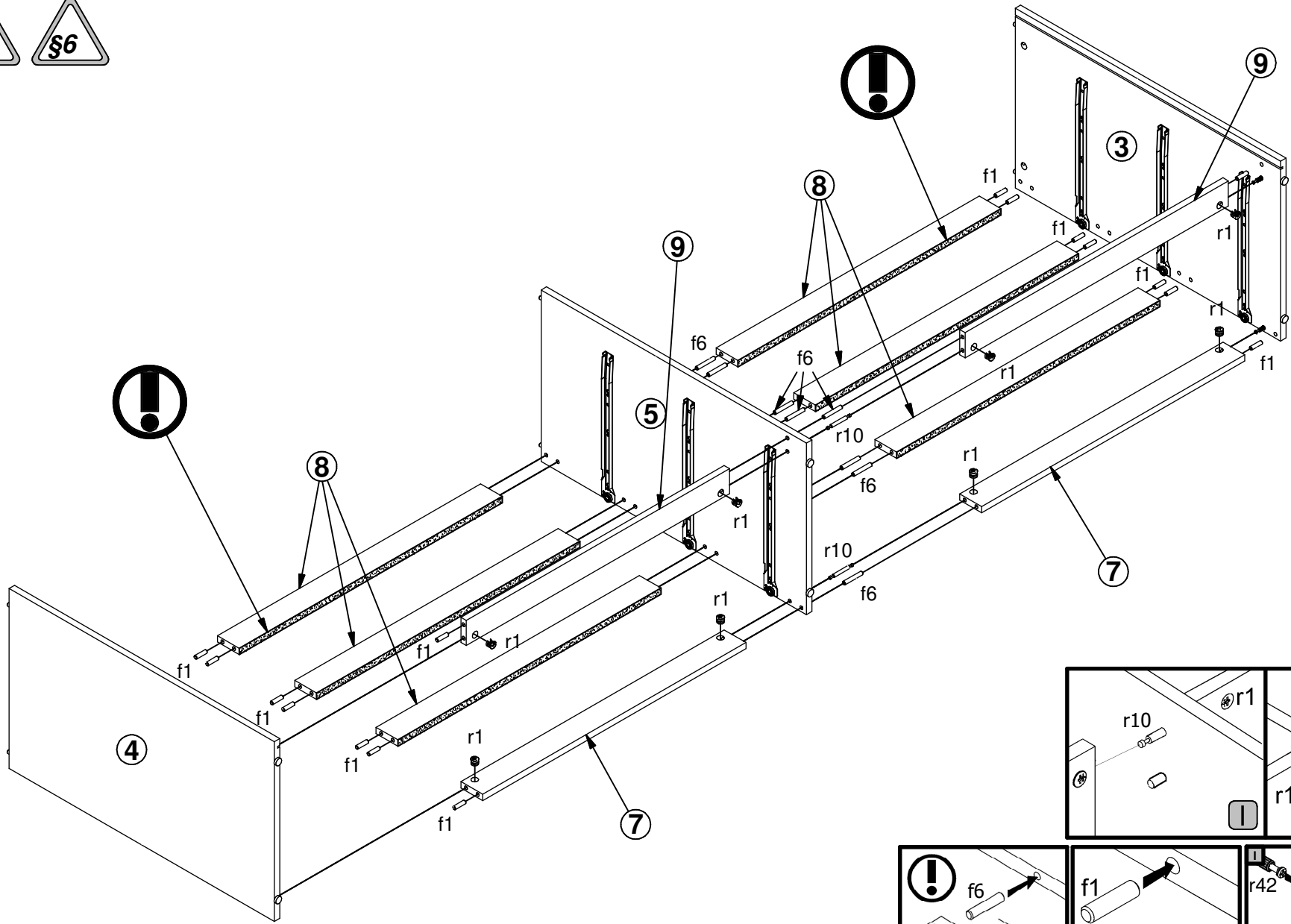


III 6x

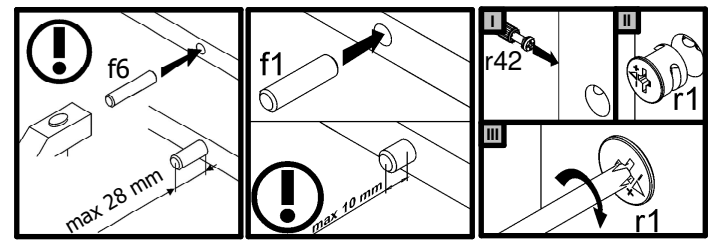


6x  Ø3.5x12 mm p140	6x  Ø3.5x15 mm p51	36x  Ø2.9x16 mm p55
6x  350 mm w45\DL	6x  350 mm w45\DR	6x  350 mm t35
24x  Ø6.5x40 mm f25	24x  Ø12x10.5 mm #12 r15	12x  Ø6x30 mm f9

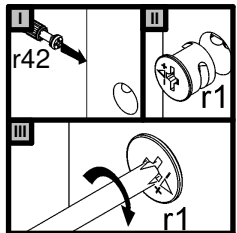
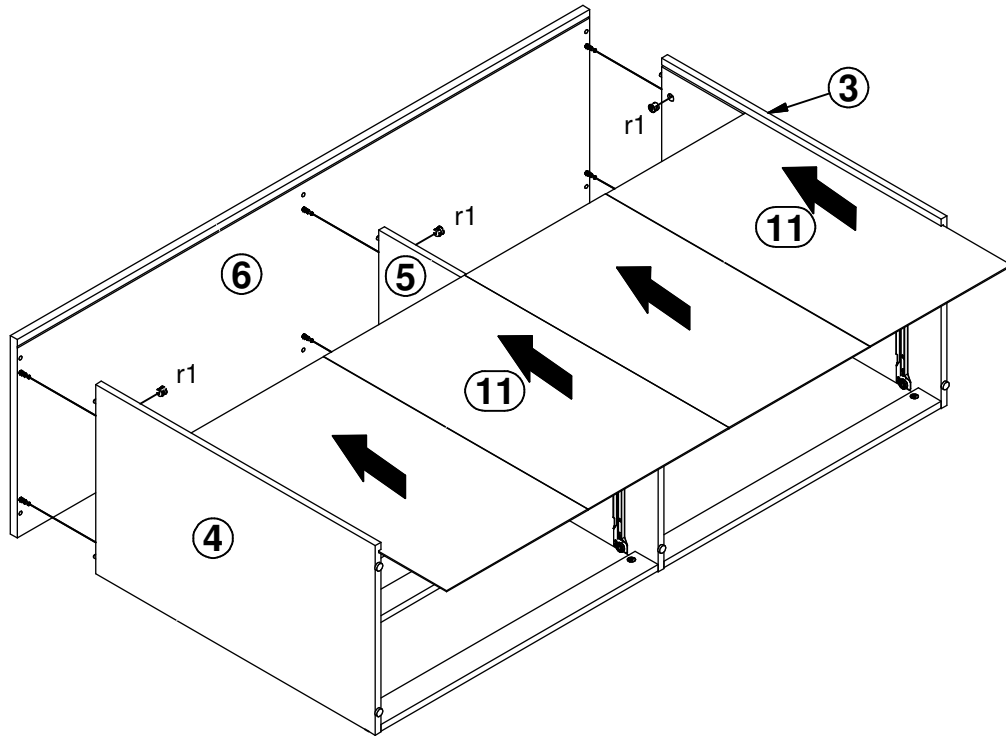
4




- 8x $\varnothing 15 \times 12 \text{ mm}$ #16 r1
- 2x r10
- 14x $\varnothing 8 \times 30 \text{ mm}$ f1
- 8x $\varnothing 8 \times 50 \text{ mm}$ f6

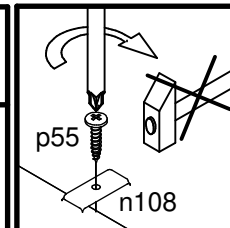
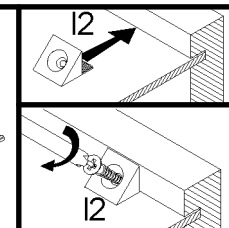
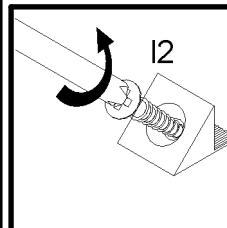
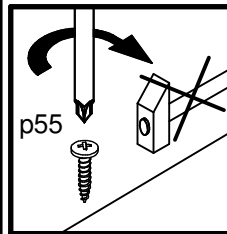
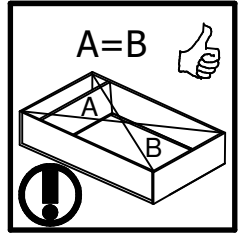
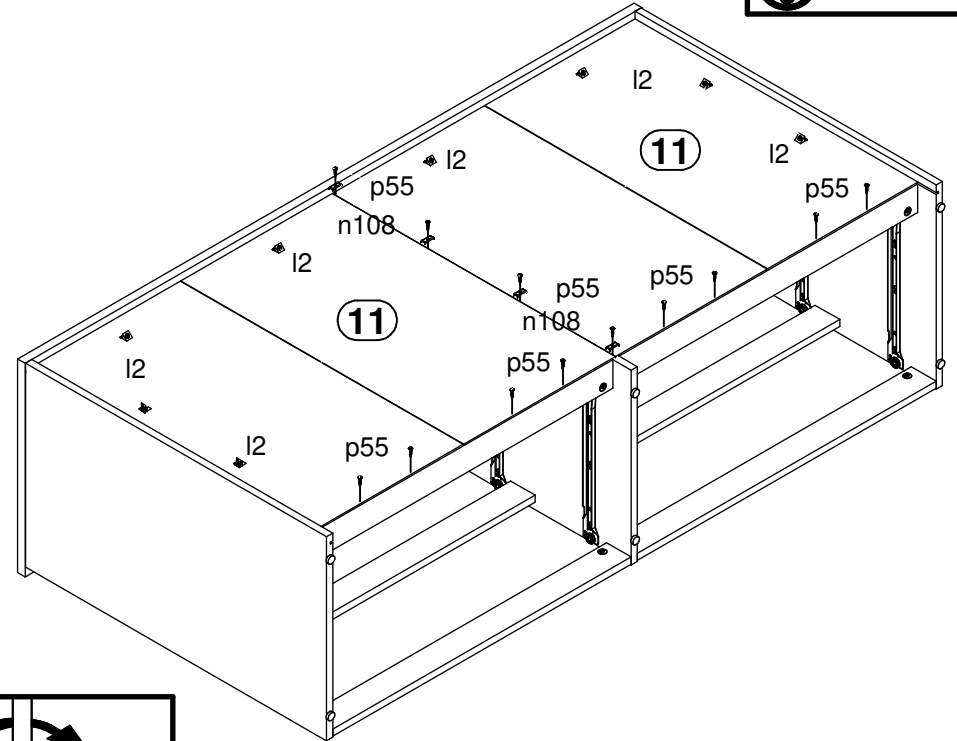





5 



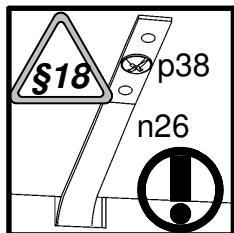
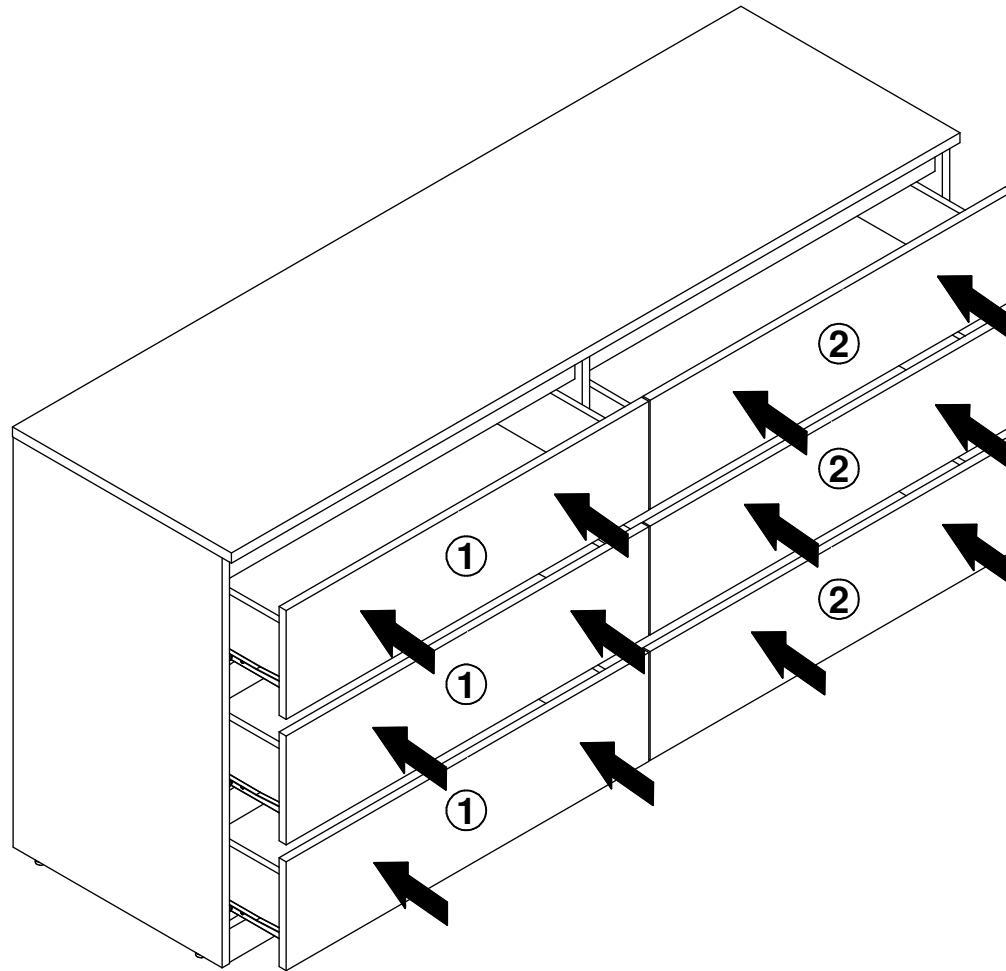
6x  r1
Ø15x12 mm #16

6 



4x  n108
22x9,5x2,0,7 mm
12x  p55
Ø2,9x16 mm
8x  l2

7 



8

