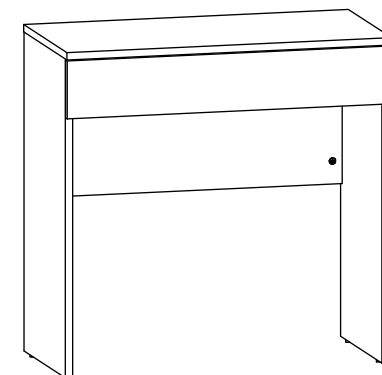
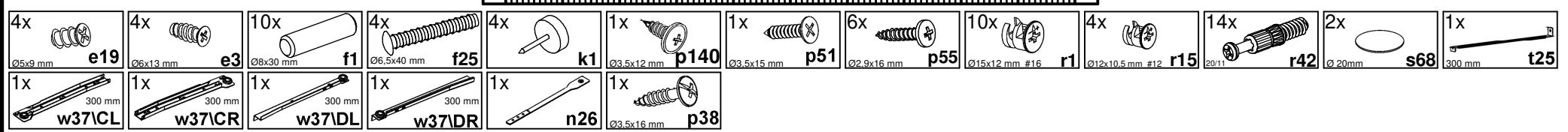


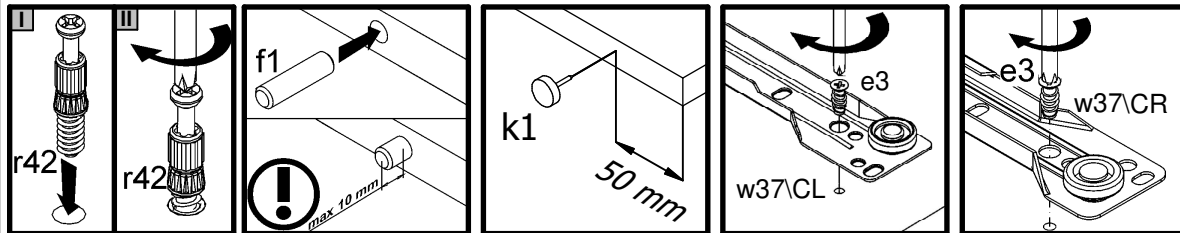
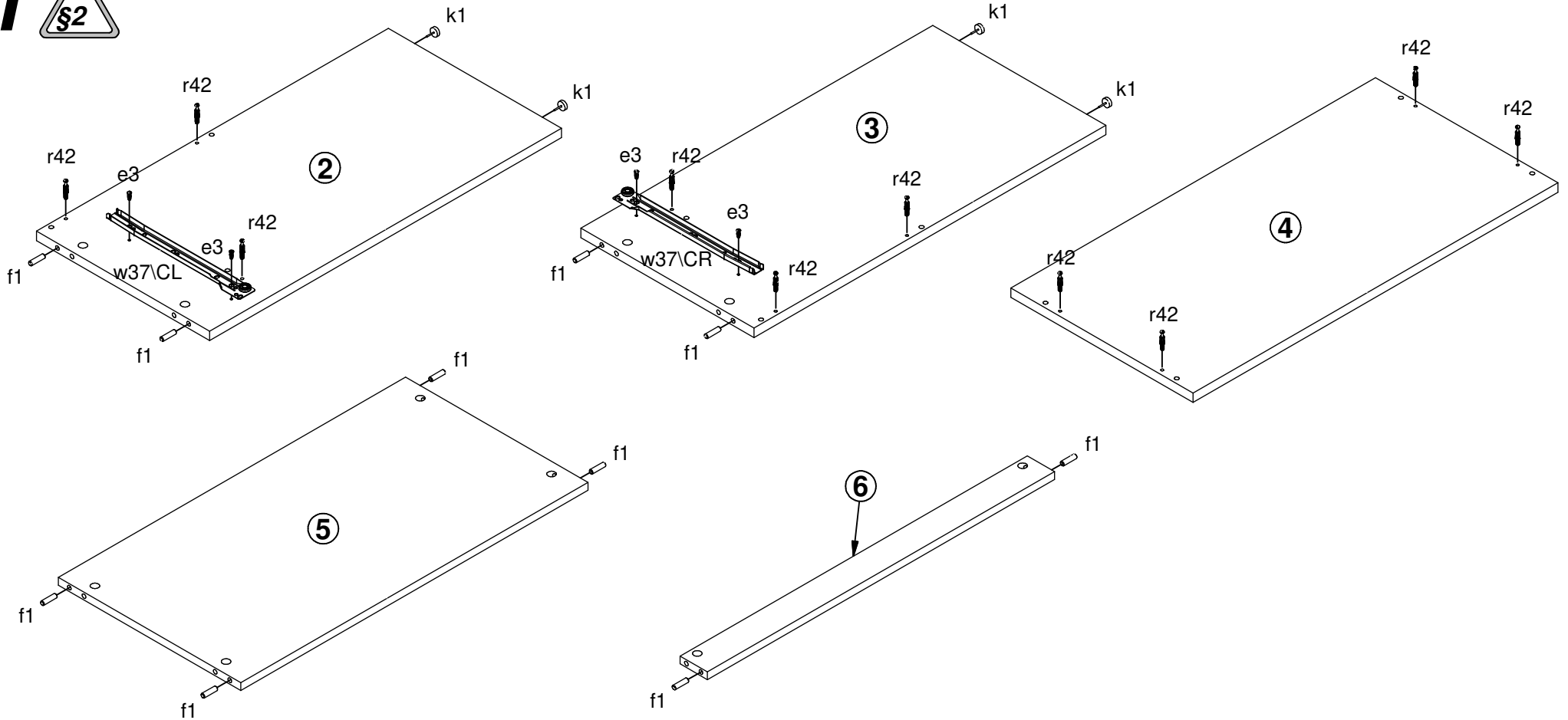
A	B	C (mm)			D
1	S442-0008	796	140	15	1/1
2	S442-1024	772	380	18	1/1
3	S442-1025	772	380	18	1/1
4	S442-2008	800	400	18	1/1
5	S442-4034	762	400	15	1/1
6	S442-4035	762	60	15	1/1
7	S442-9010	735	307	2,5	1/1
8	ZS7-5092	713	75	15	1/1
9	ZS7-531	300	75	12	1/1
10	ZS7-532	300	75	12	1/1








D
1/1



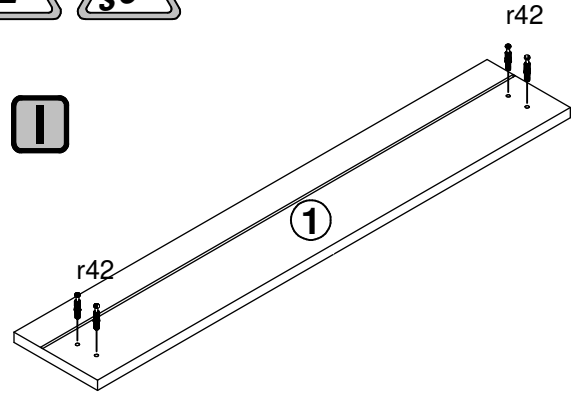
1 



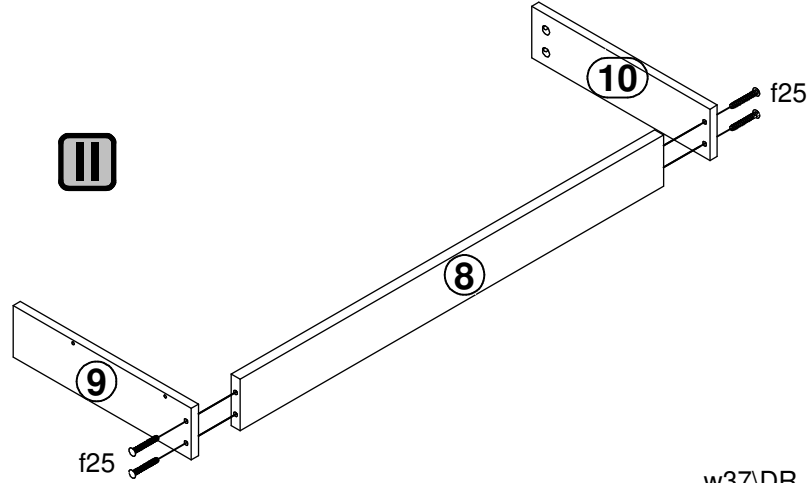
4x  Ø6x13 mm	1x  300 mm e3 w37/CR	1x  300 mm w37/CL
4x  k1	10x  20/11 r42	10x  Ø8x30 mm f1

2  

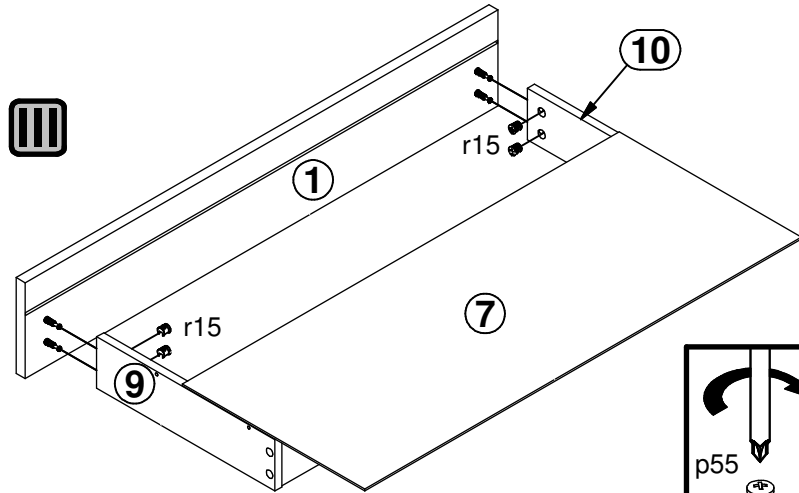
I



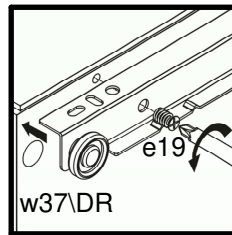
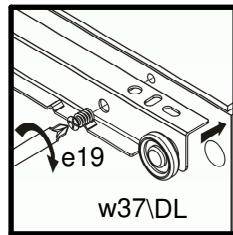
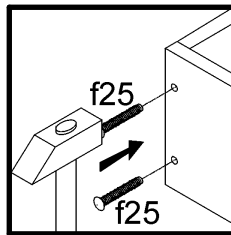
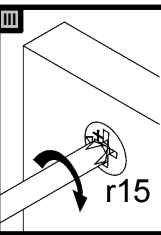
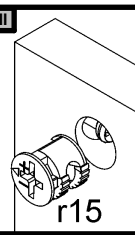
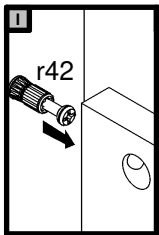
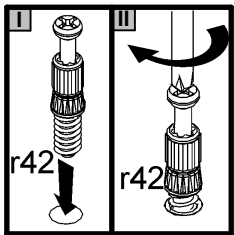
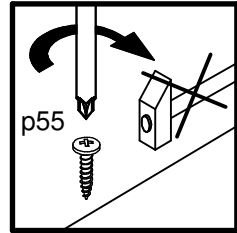
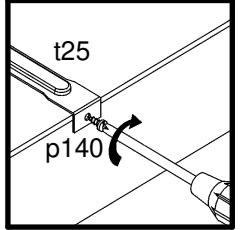
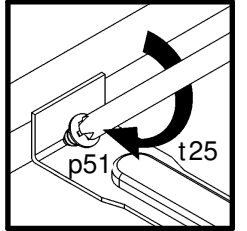
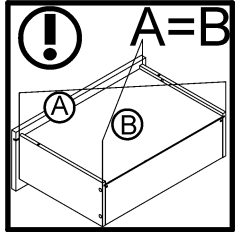
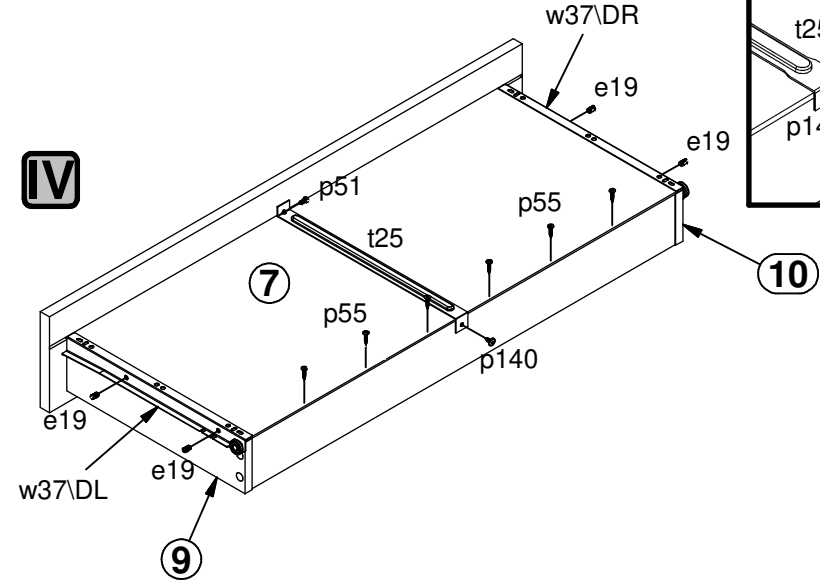
II


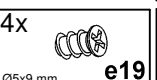
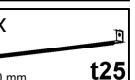
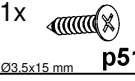
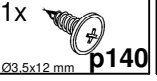
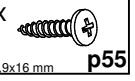

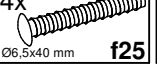



III

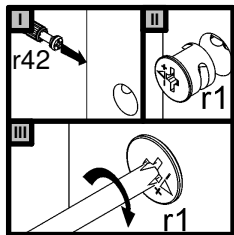
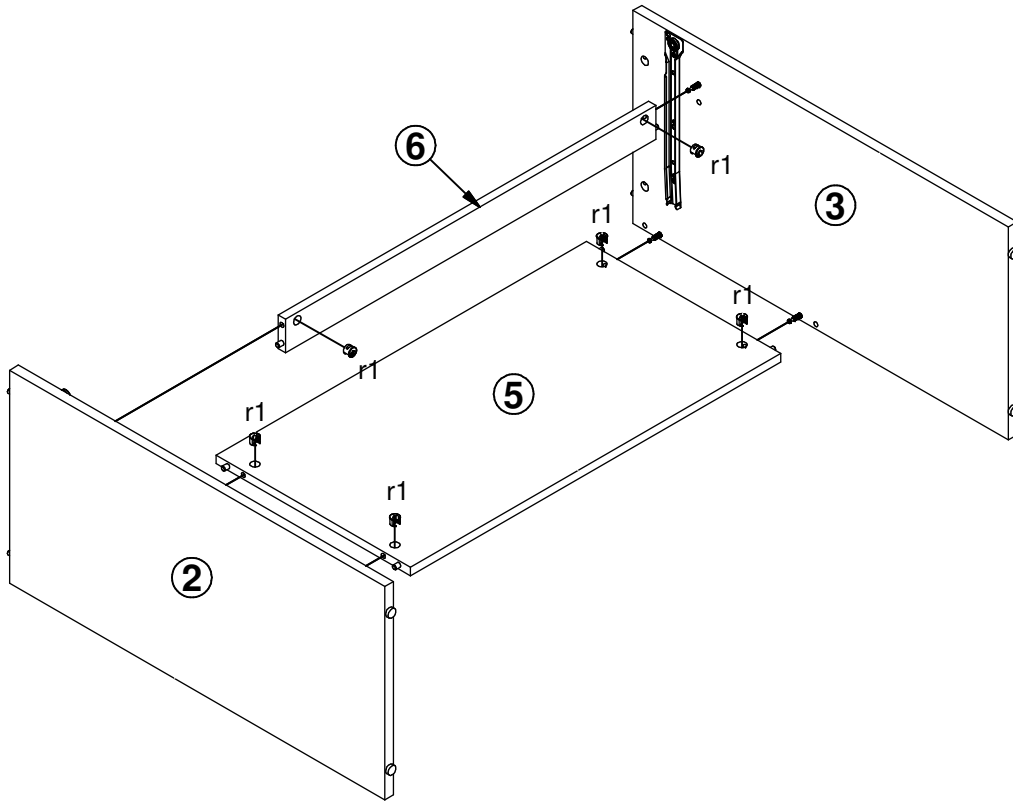



IV



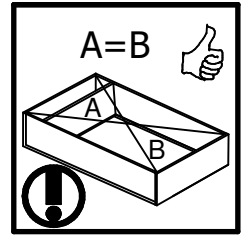
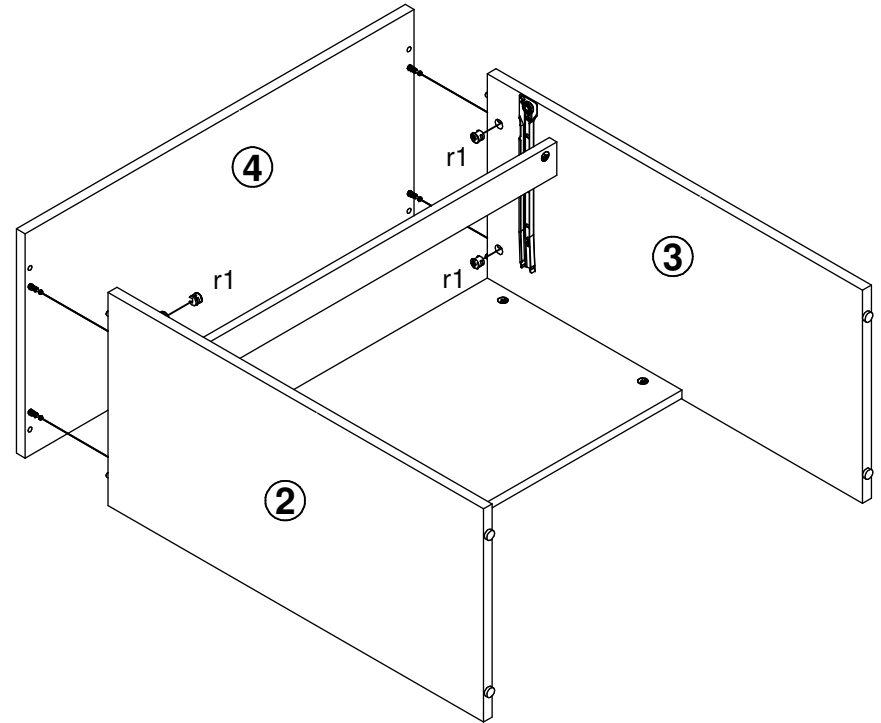
1x  300 mm w37\DL	4x  Ø5x9 mm e19	1x  300 mm t25
1x  Ø3.5x15 mm p51	1x  Ø3.5x12 mm p140	6x  Ø2.9x16 mm p55
4x  Ø12x10.5 mm #12 r15	4x  Ø6.5x40 mm f25	4x  20/11 r42


3 §6



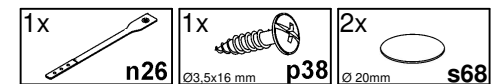
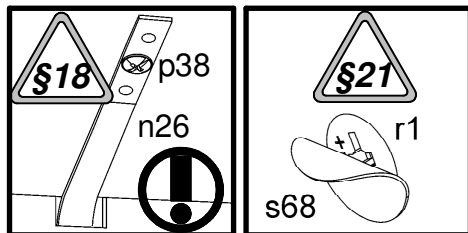
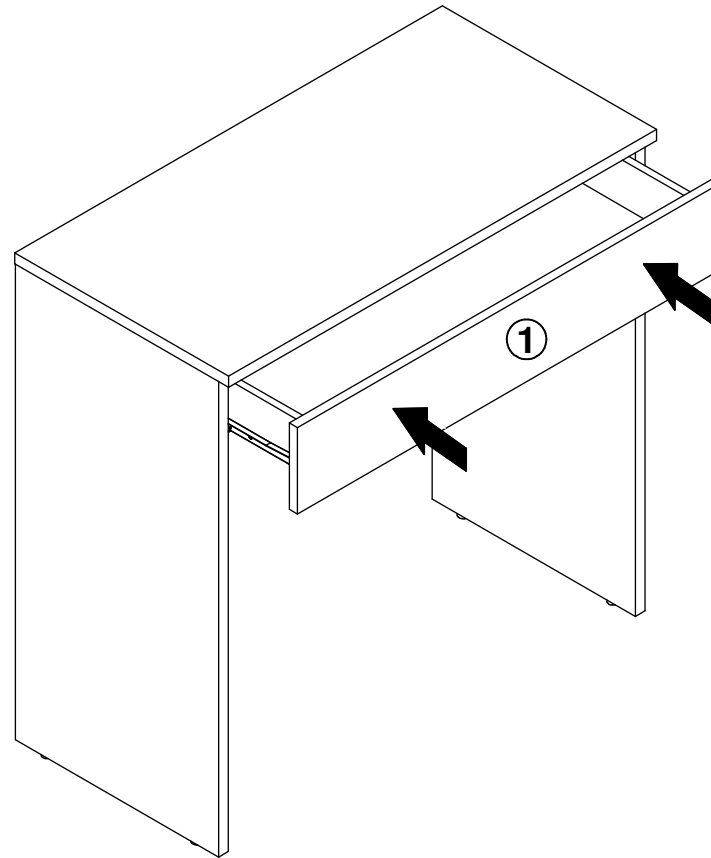
6x  r1
Ø15x12 mm #16

4 §6



4x  r1
Ø15x12 mm #16

5 



6

