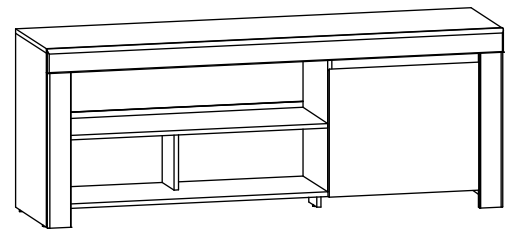
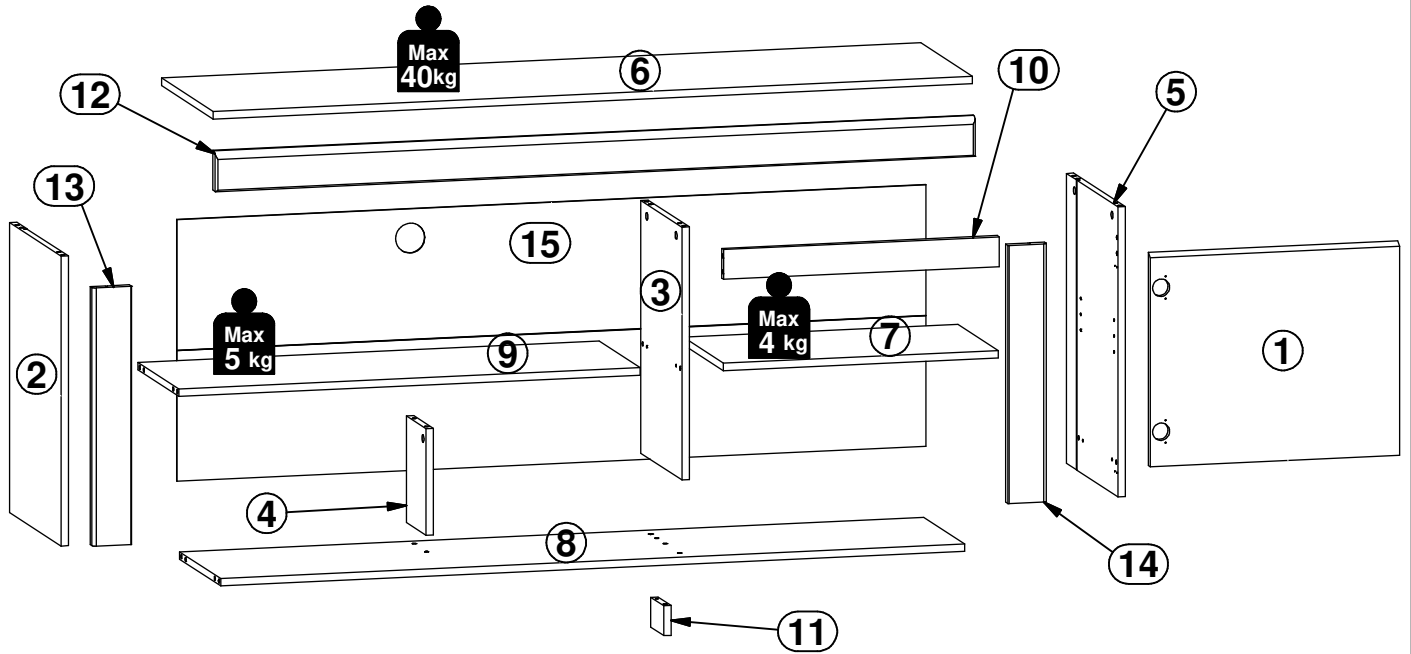
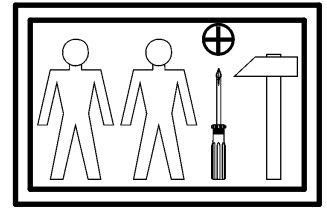
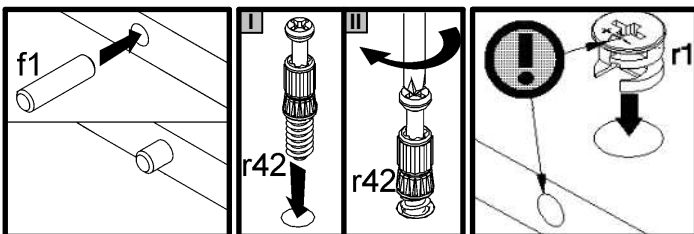
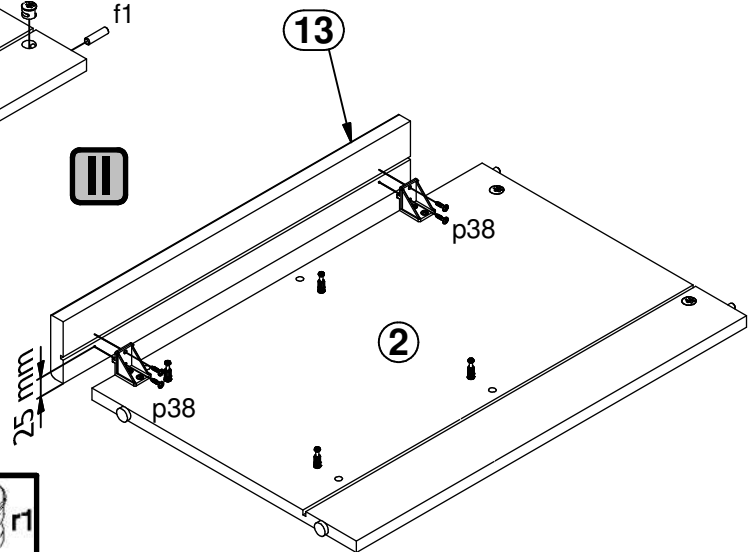
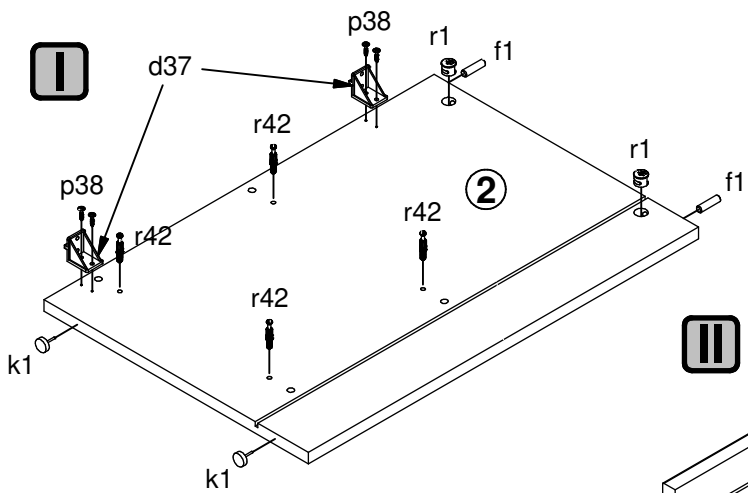
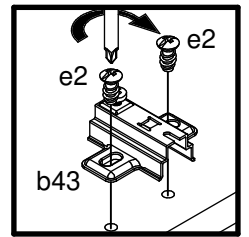
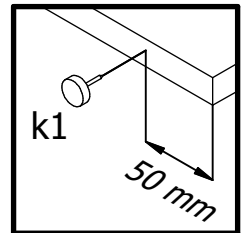
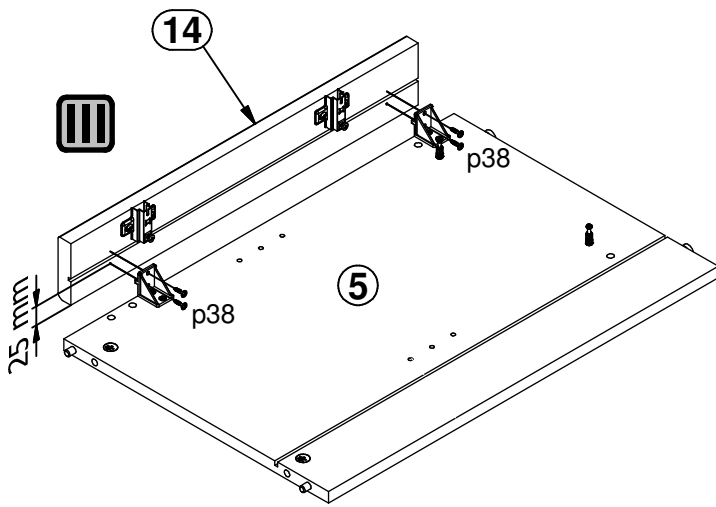
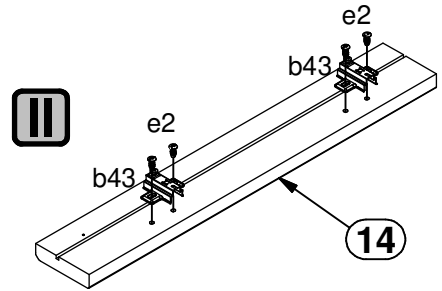
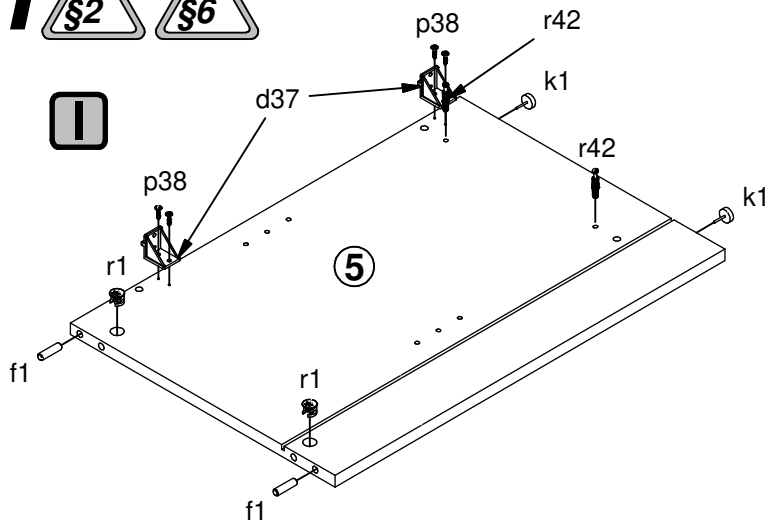


A	B	C	D	
1	S440-0031	430	512	1/2
2	S440-1068	584	396	1/2
3	S440-1069	509	316	1/2
4	S440-1070	215	150	2/2
5	S440-1071	584	396	1/2
6	S440-2019	1560	396	2/2
7	S440-3024	565	310	1/2
8	S440-3047	1529	316	2/2
9	S440-3048	948	315	2/2
10	S440-4047	566	60	1/2
11	S440-5015	100	60	1/2
12	S440-5035	1562	80	2/2
13	S440-5041	520	80	2/2
14	S440-5071	520	80	2/2
15	S440-9312	1539	527	2/2

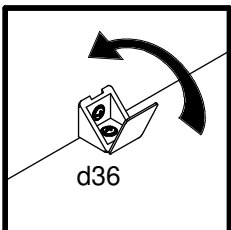
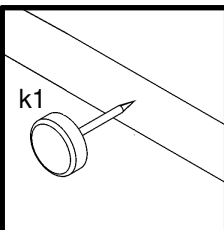
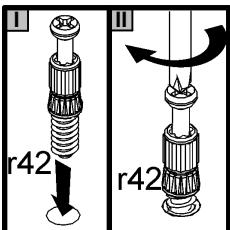
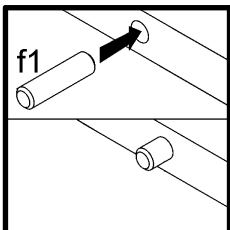
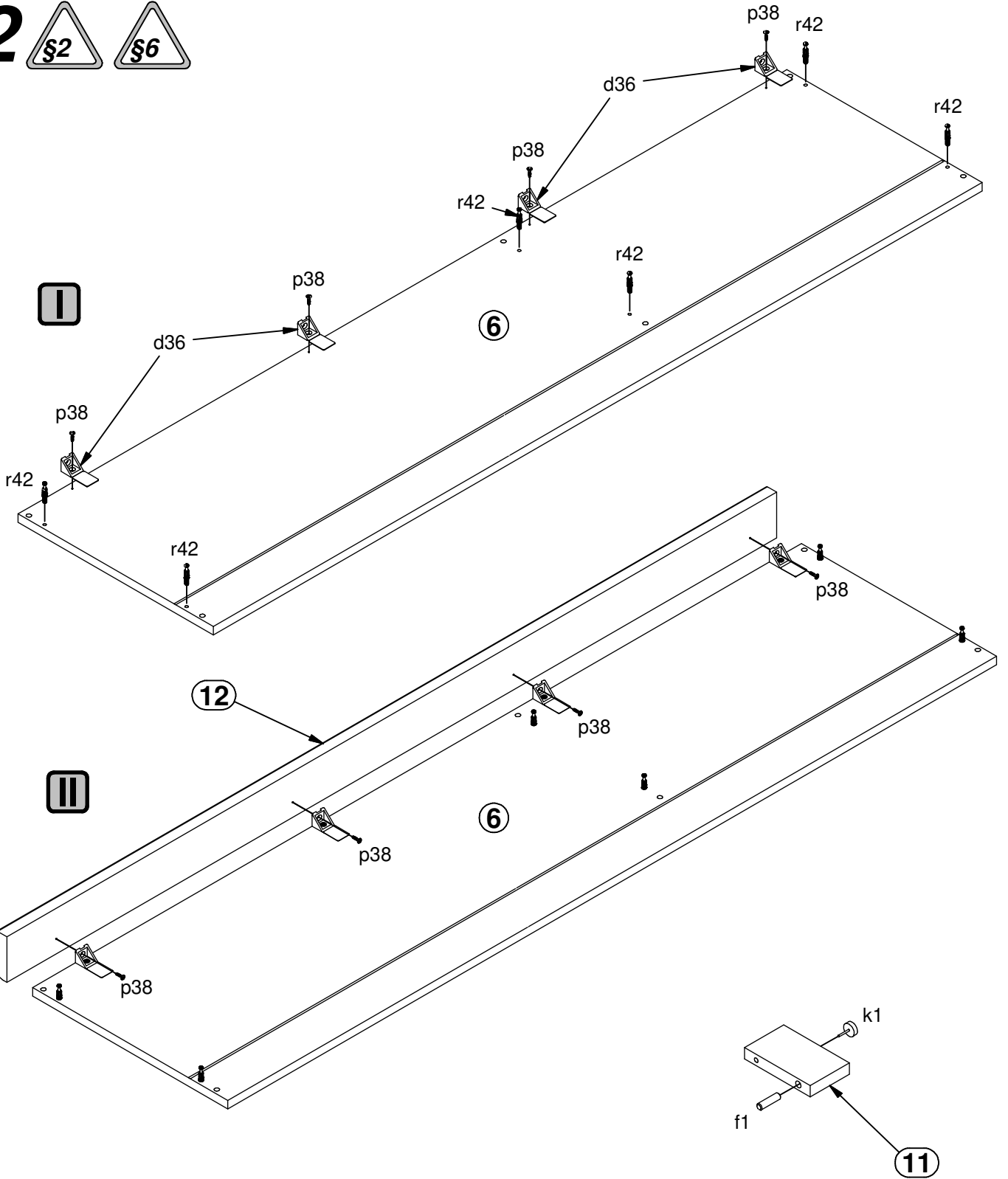



2x a132	1x a133	2x b43	4x ∅5x17 mm d1	4x d36	4x d37	4x ∅7x50 mm e1	4x ∅6.3x13 mm e2	21x ∅8x30 mm f1
5x k1	6x l2	1x n26	25x ∅3.5x16 mm p38	4x ∅3.5x15 mm p51	10x ∅2.9x16 mm p55	15x ∅15x12 mm #16 r1	15x ∅16 r42	2x ∅16 s2
1x 4 mm z1								

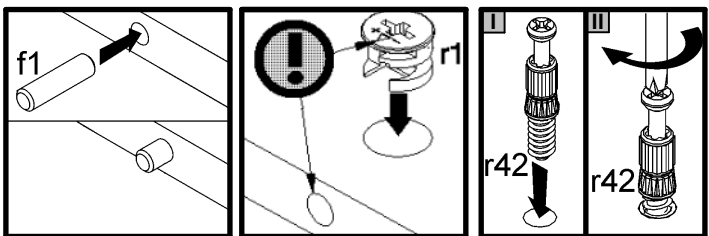
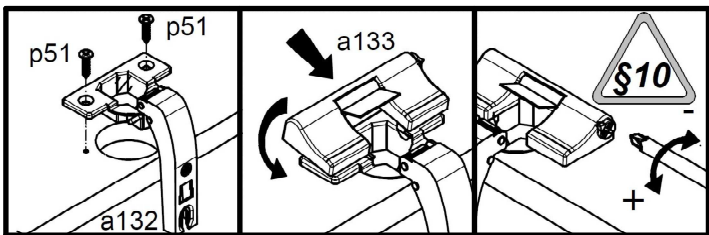
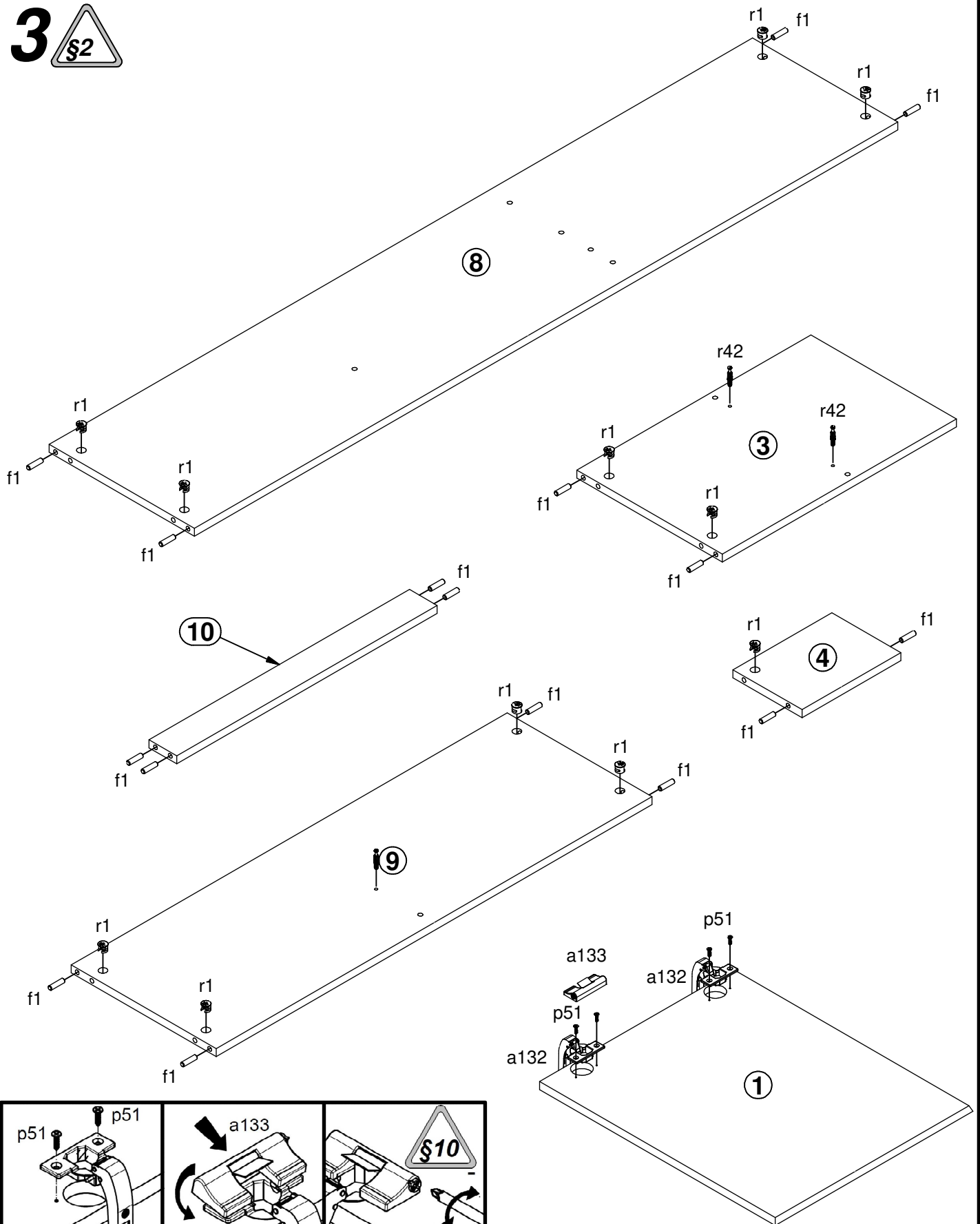
1  



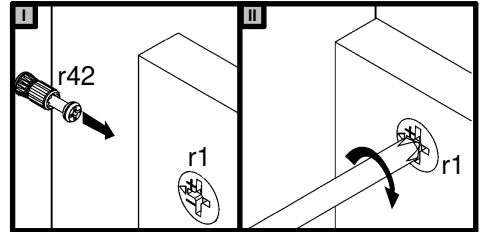
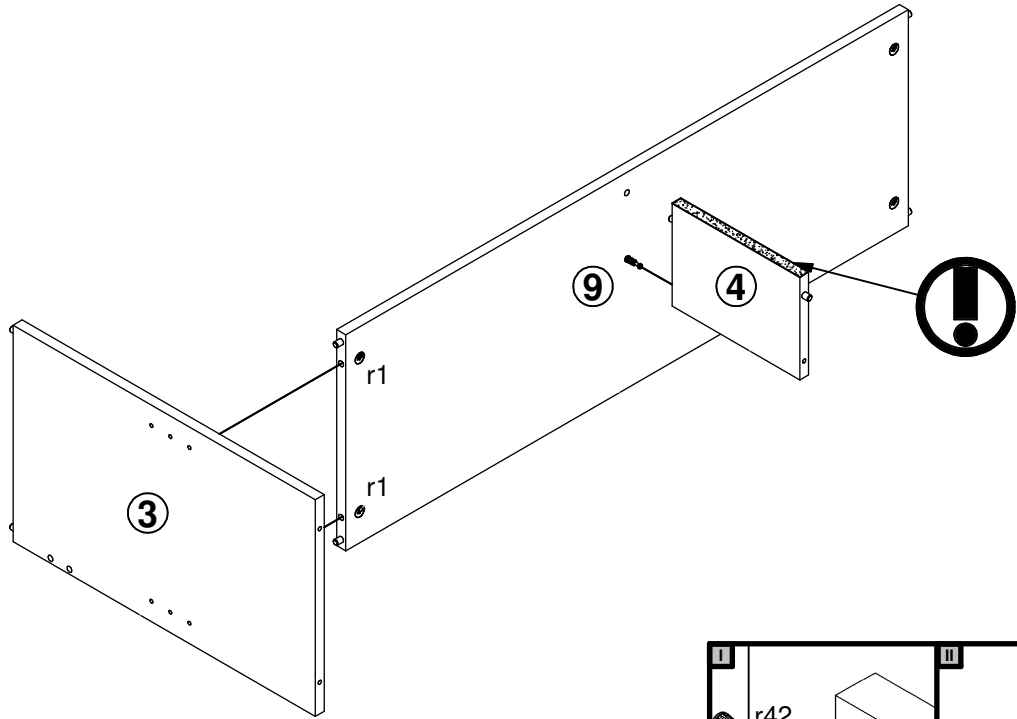
2



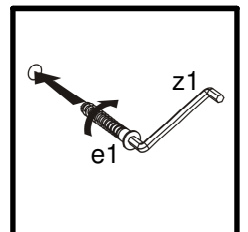
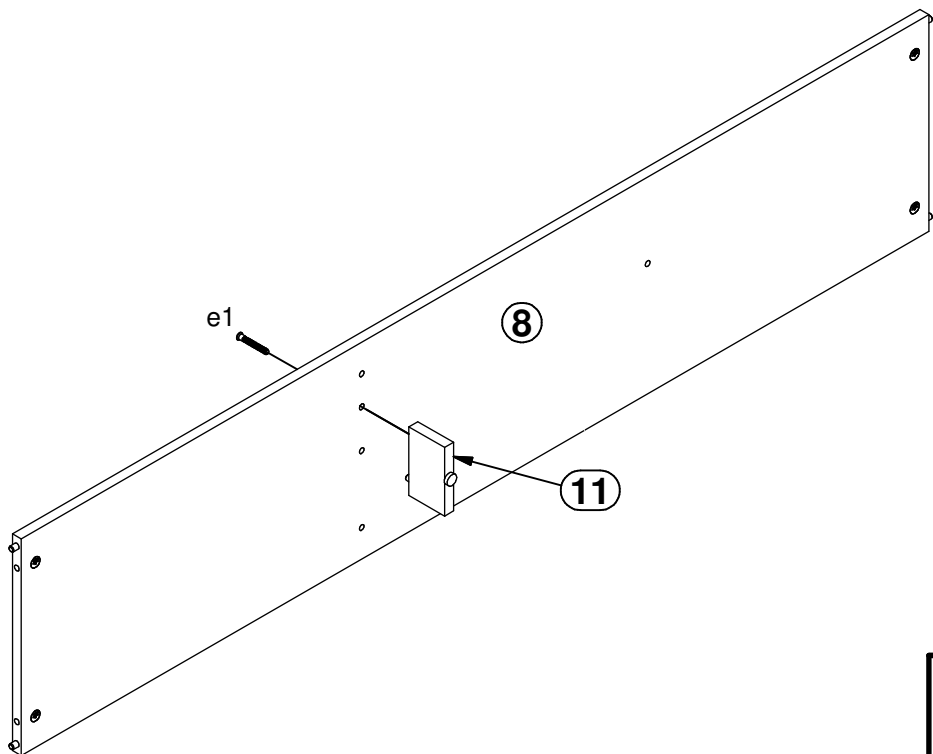
3 



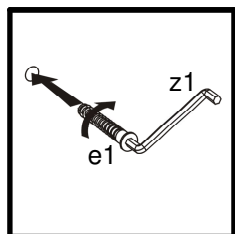
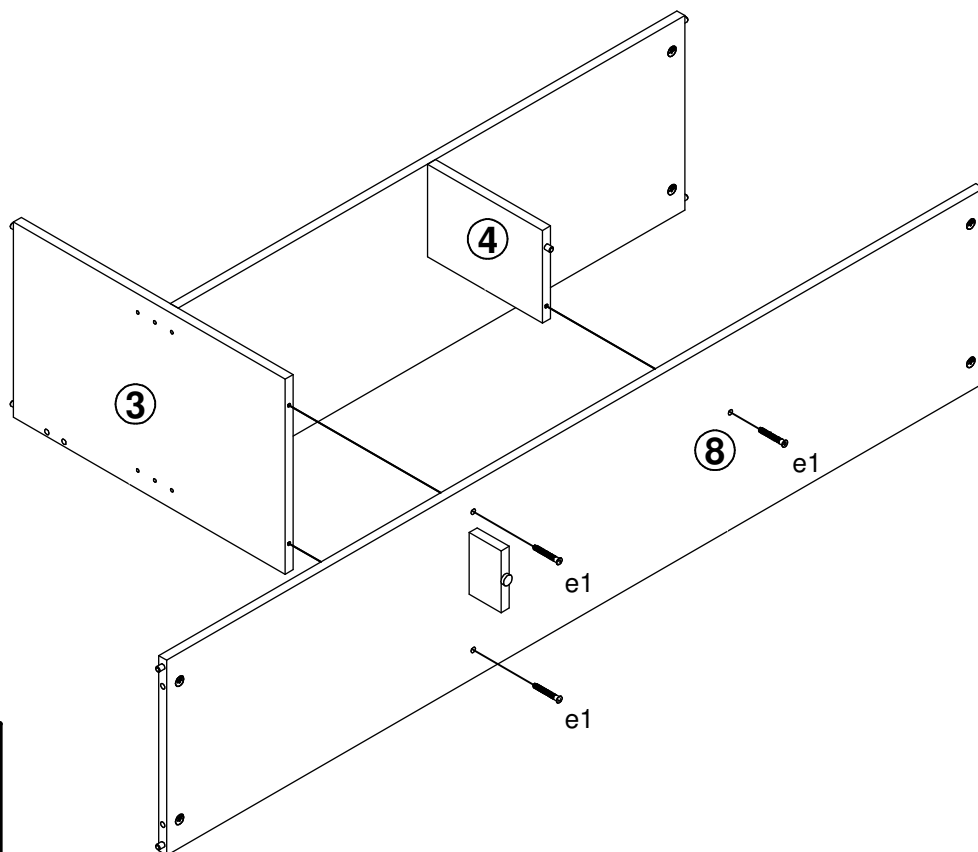
4 



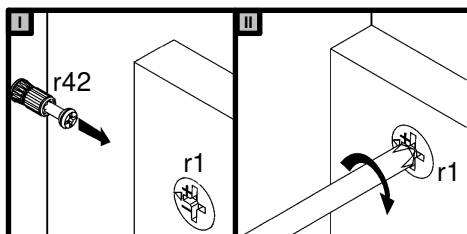
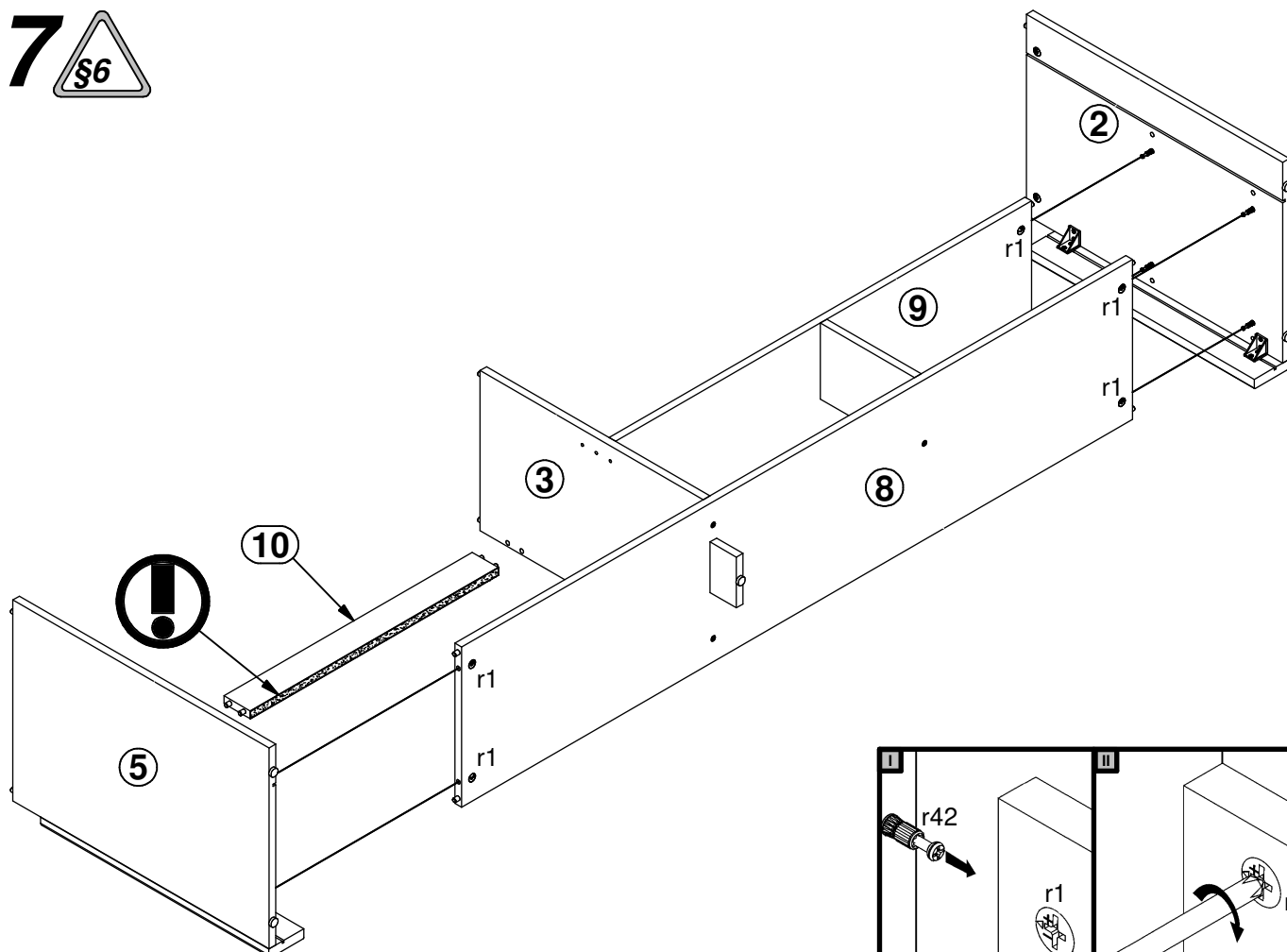
5 



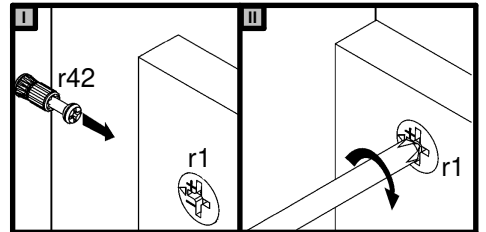
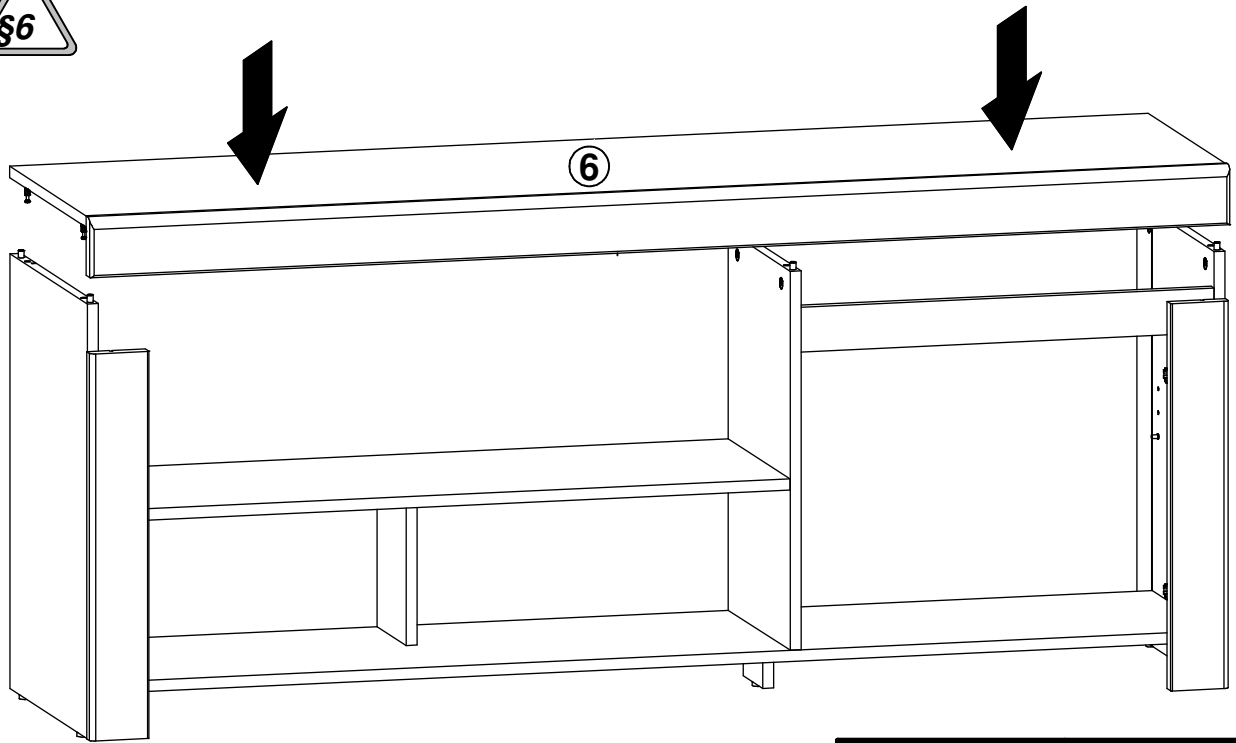
6



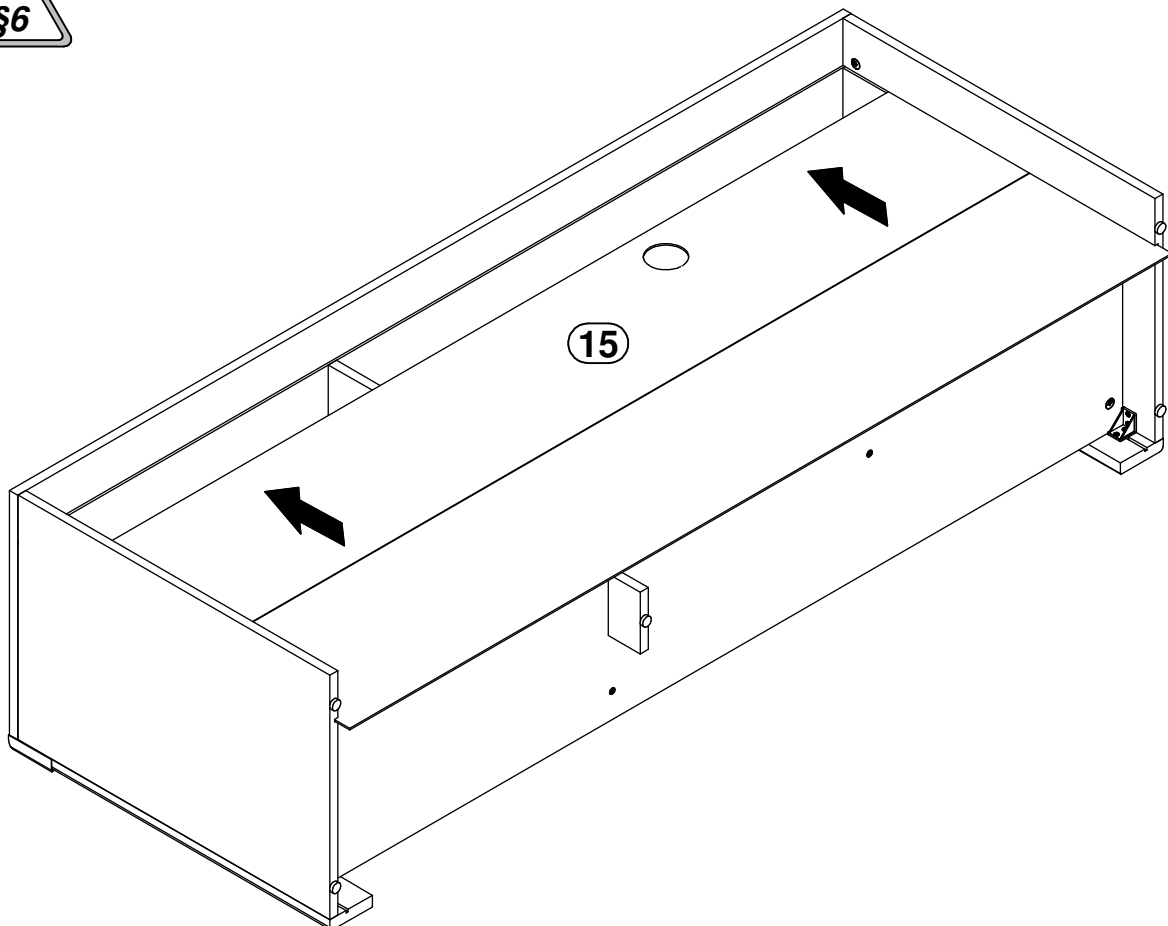
7



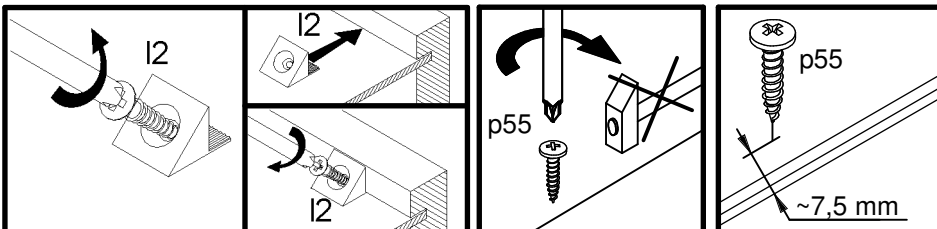
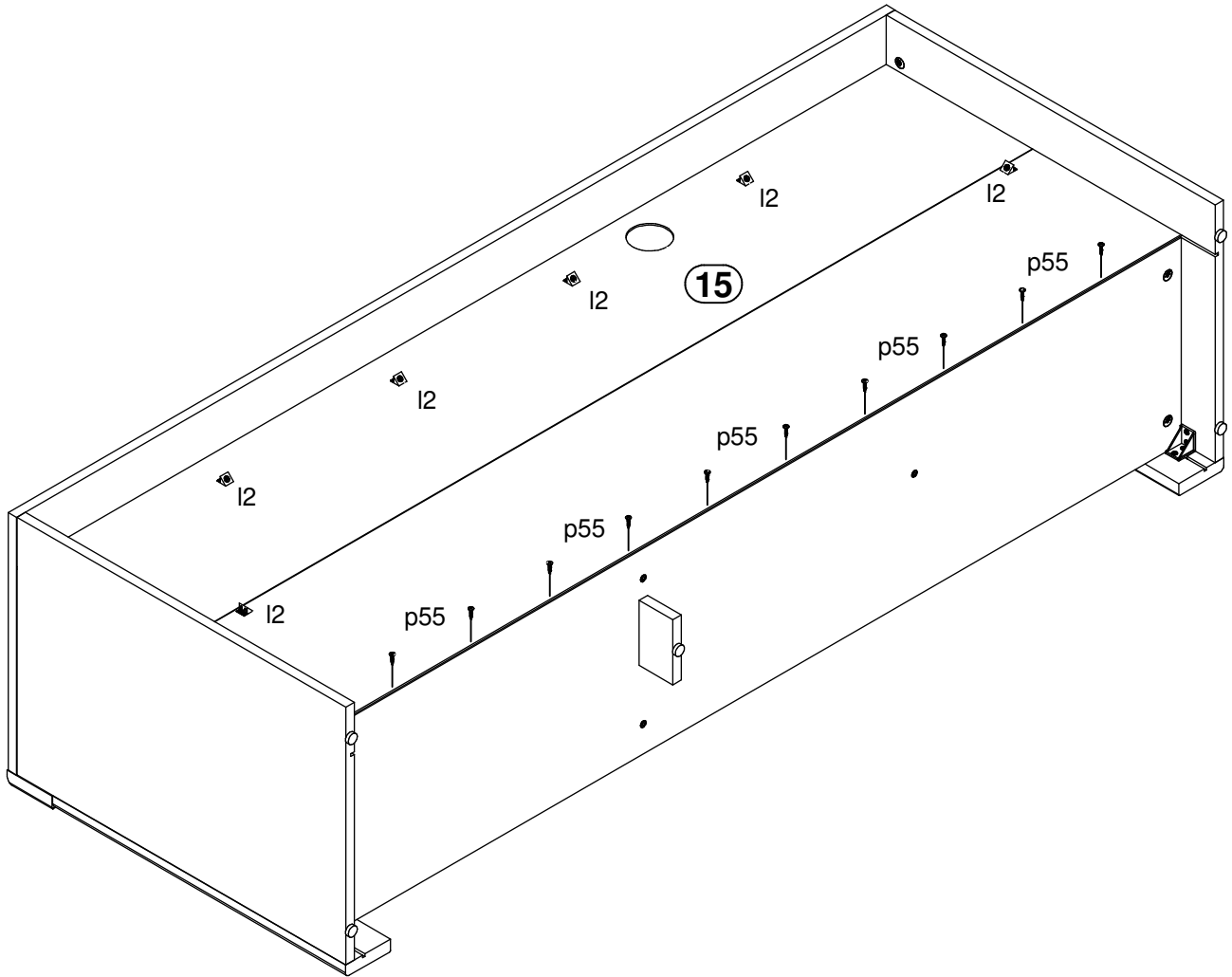
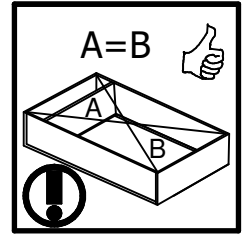
8 



9 



10



11

