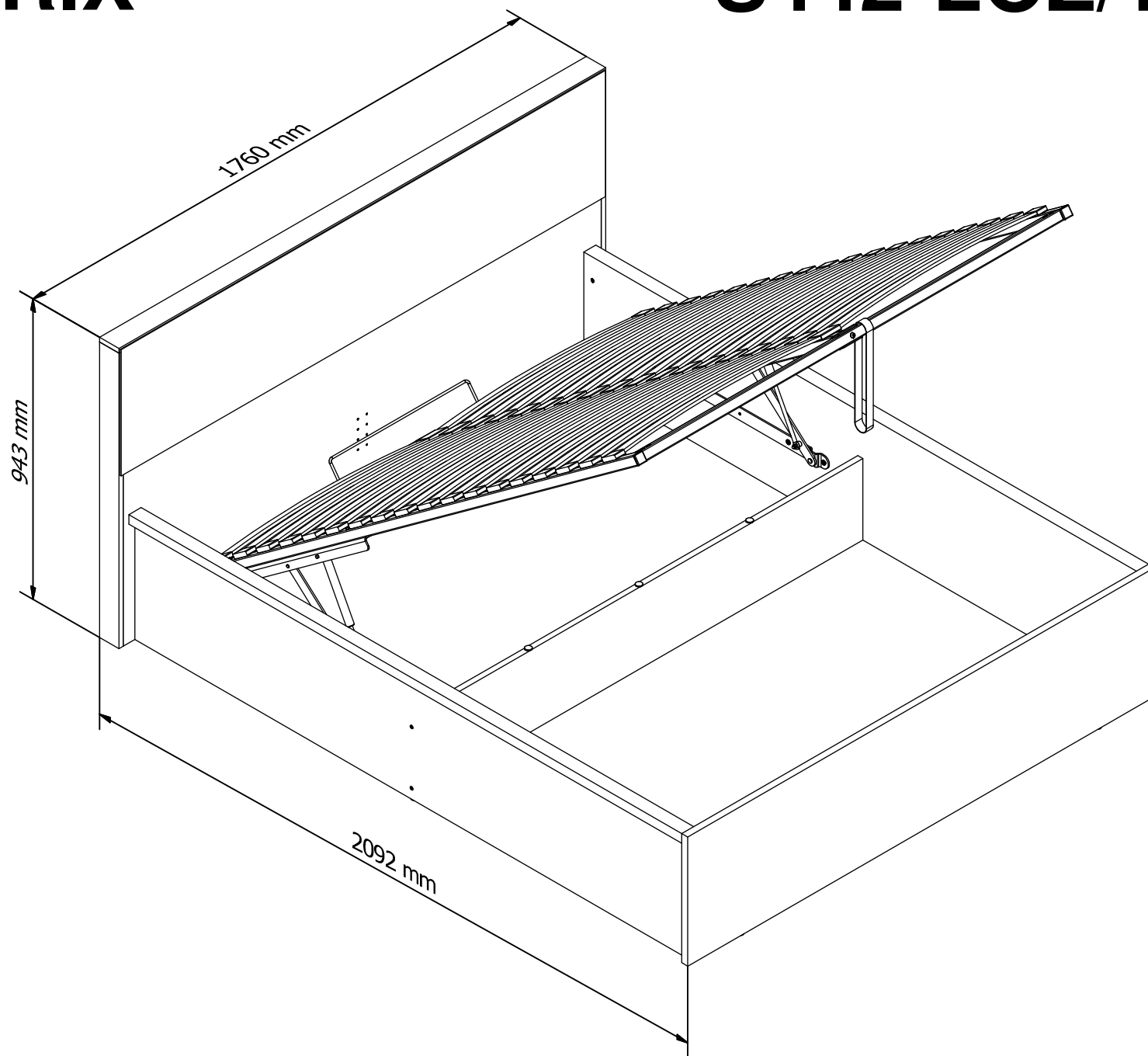
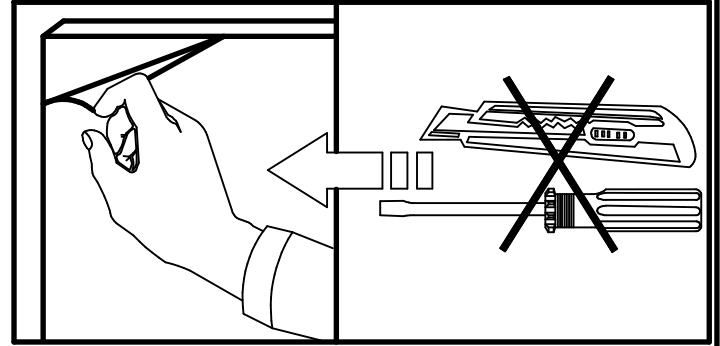
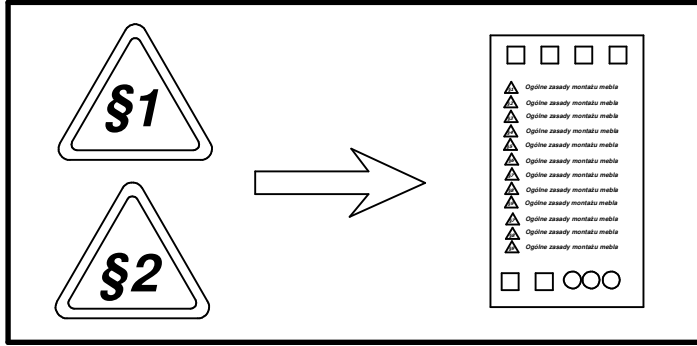
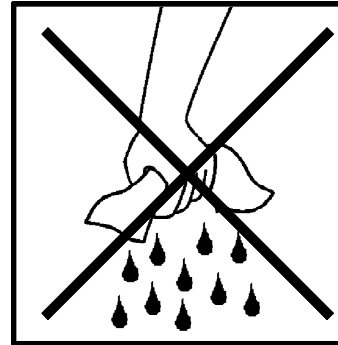
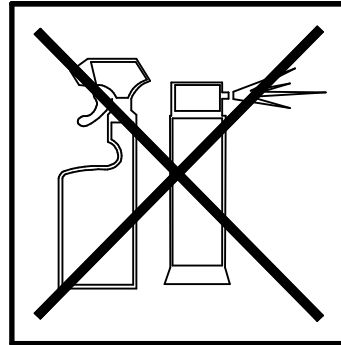
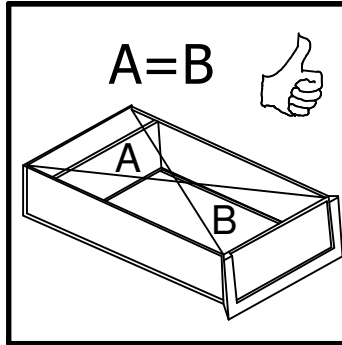
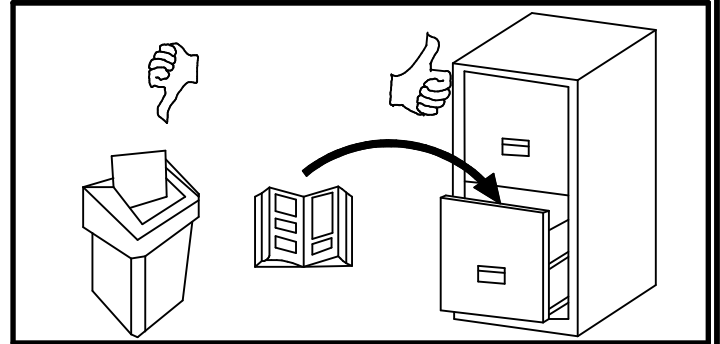
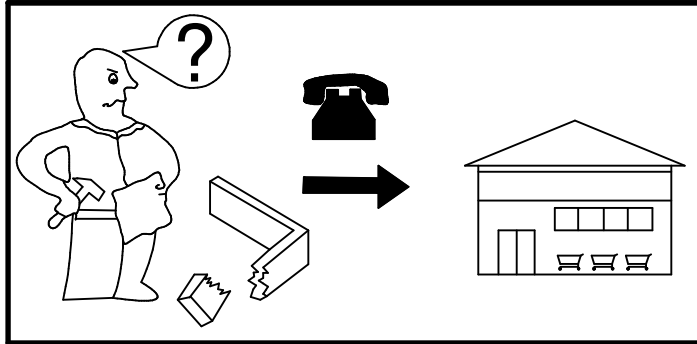
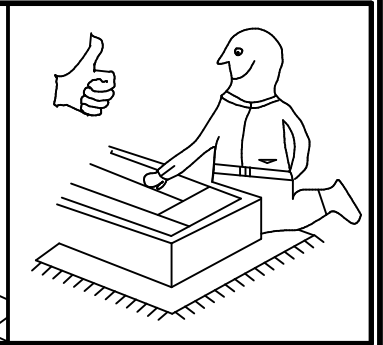
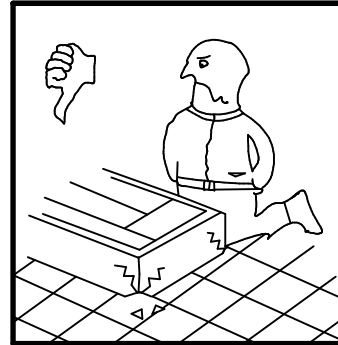
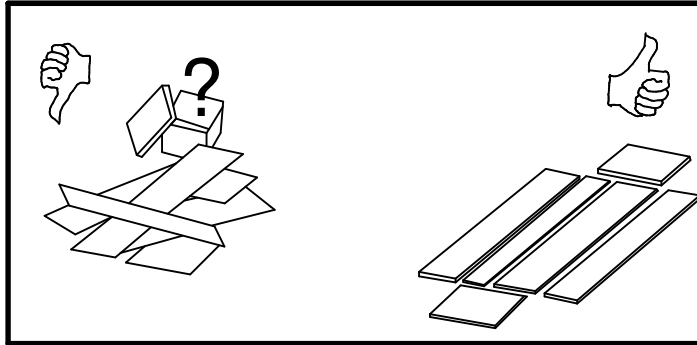
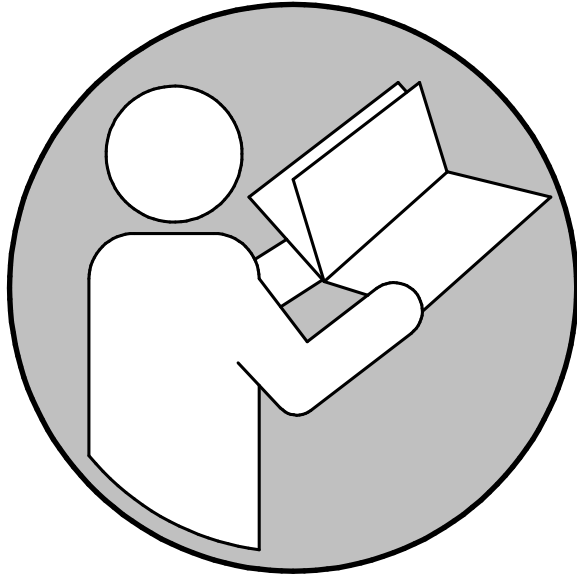
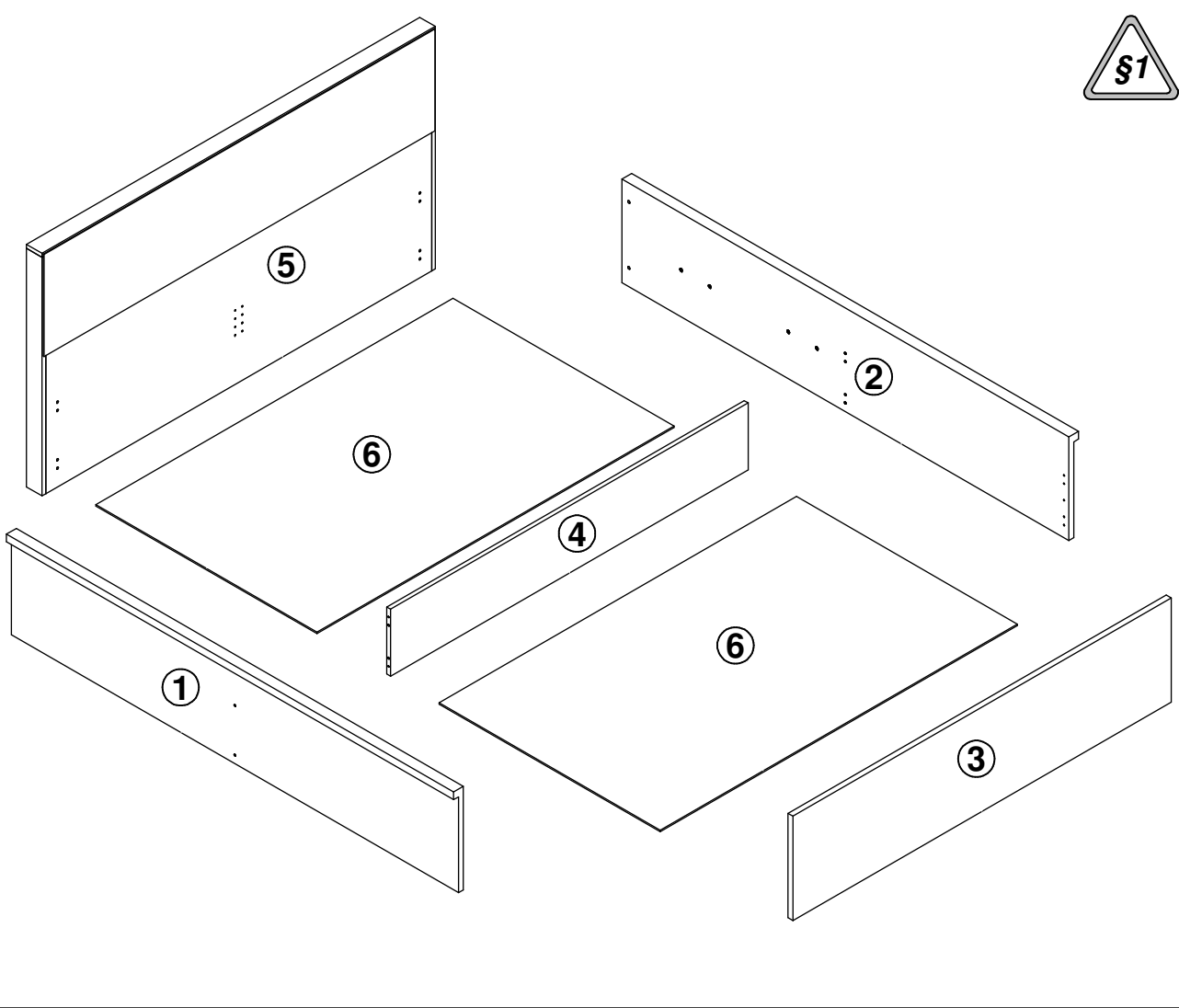
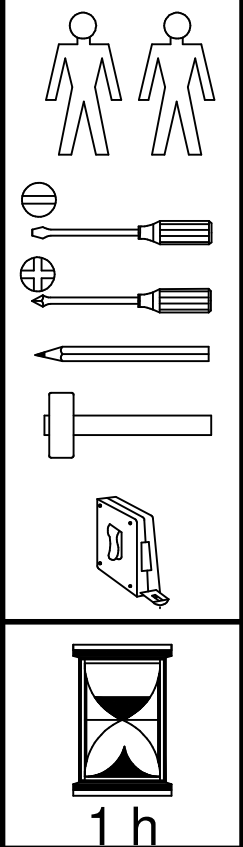


# TETRIX

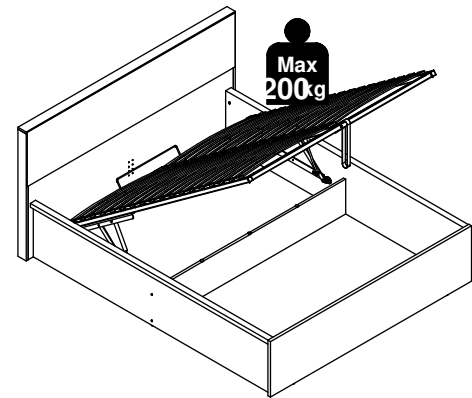
# S442-LOZ/160/B/T



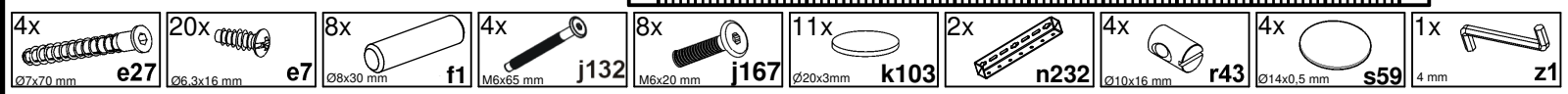




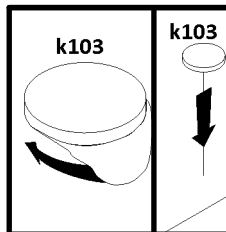
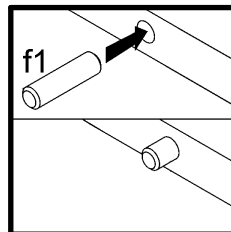
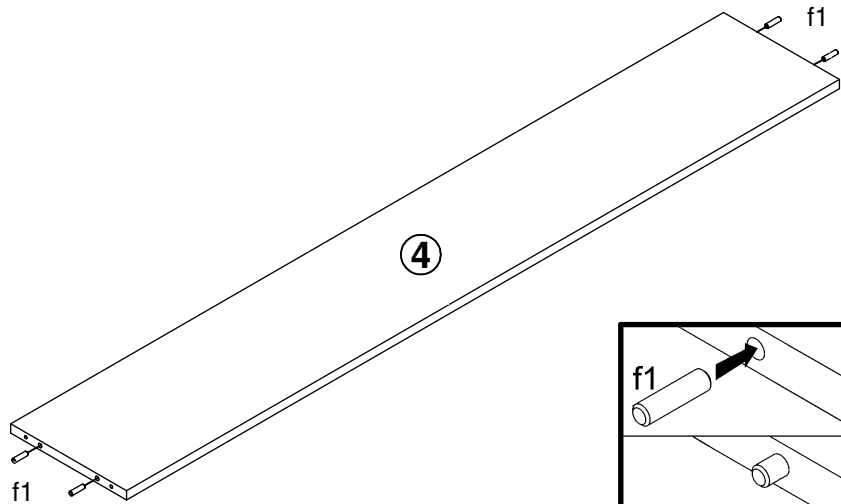
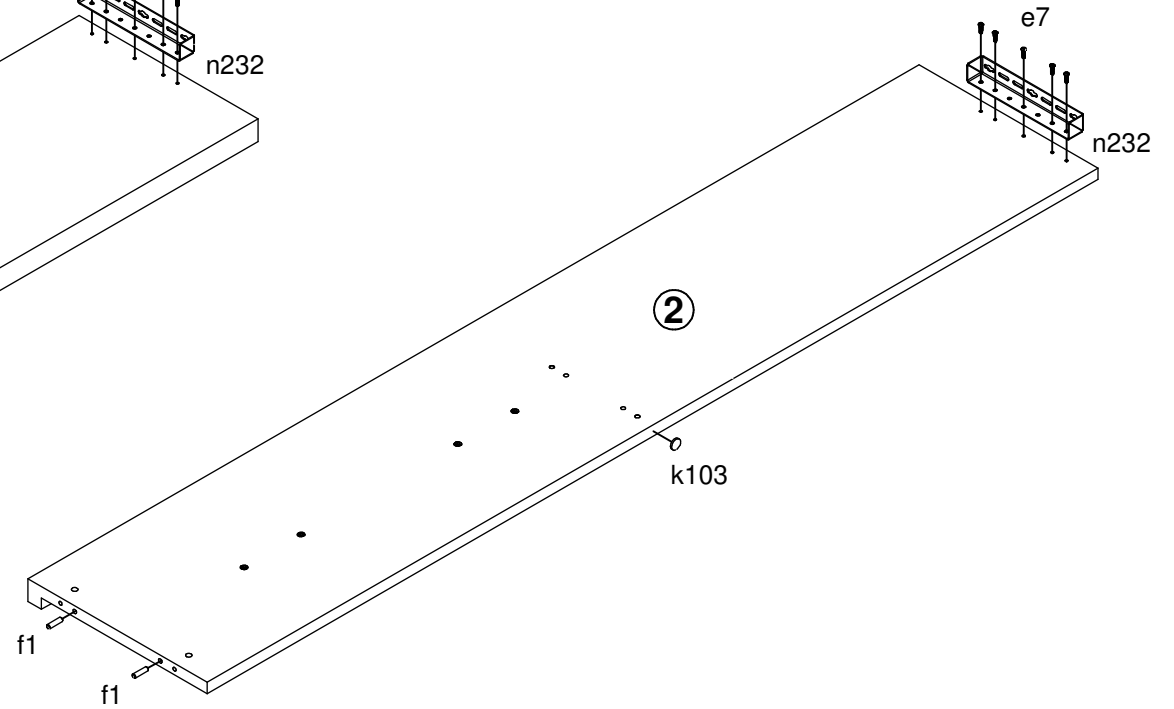
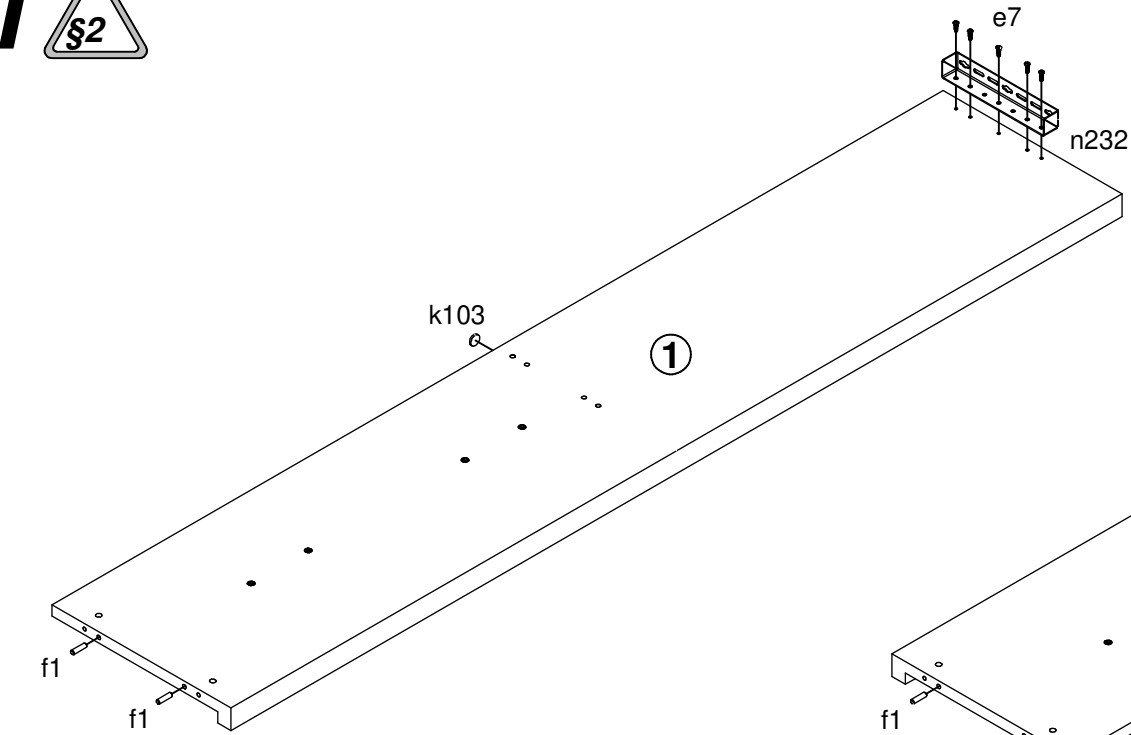
A	B	C (mm)			D
1	S442-1001/A	2000	402	44	2/4
2	S442-1002/A	2000	402	44	2/4
3	S442-4002/A	1692	404	22	3/4
4	S442-4004	1600	260	18	3/4
5	S442-5102	1760	940	74	1/4
6	S442-9001	1598	989	6	4/4







D
2/4

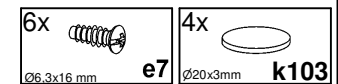
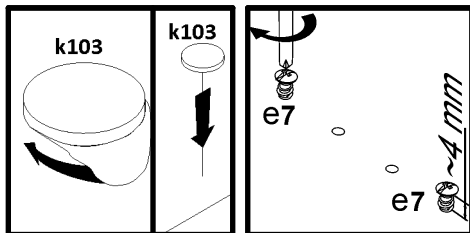
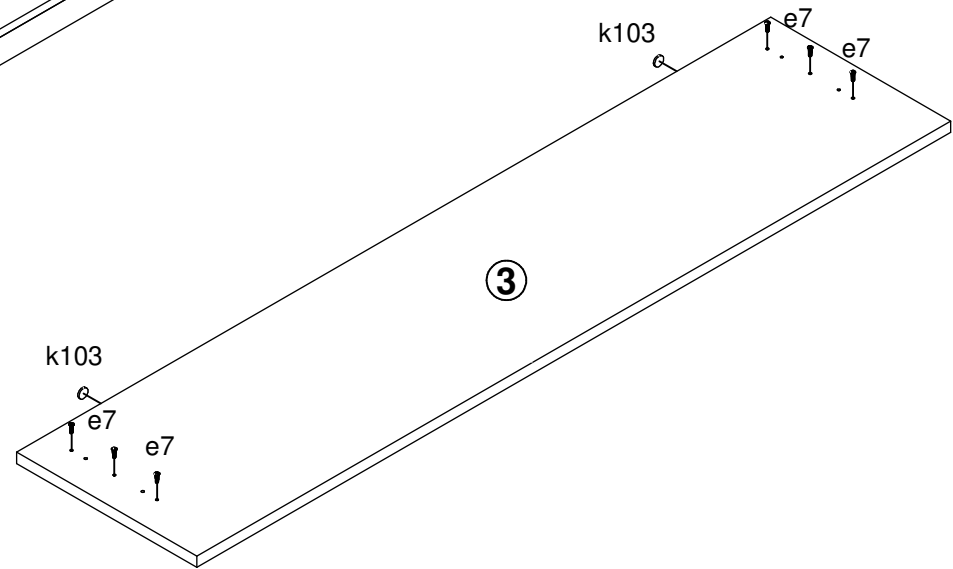
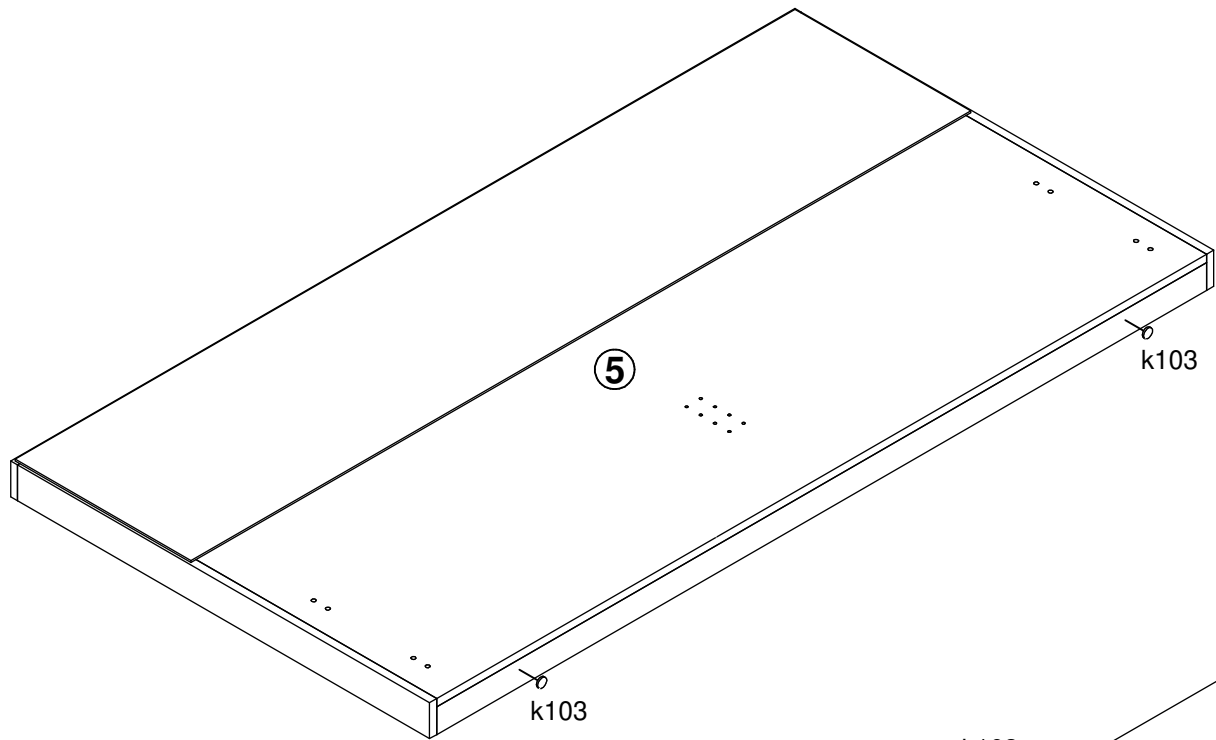


**1** 

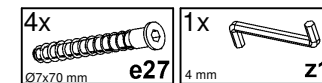
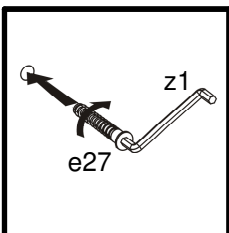
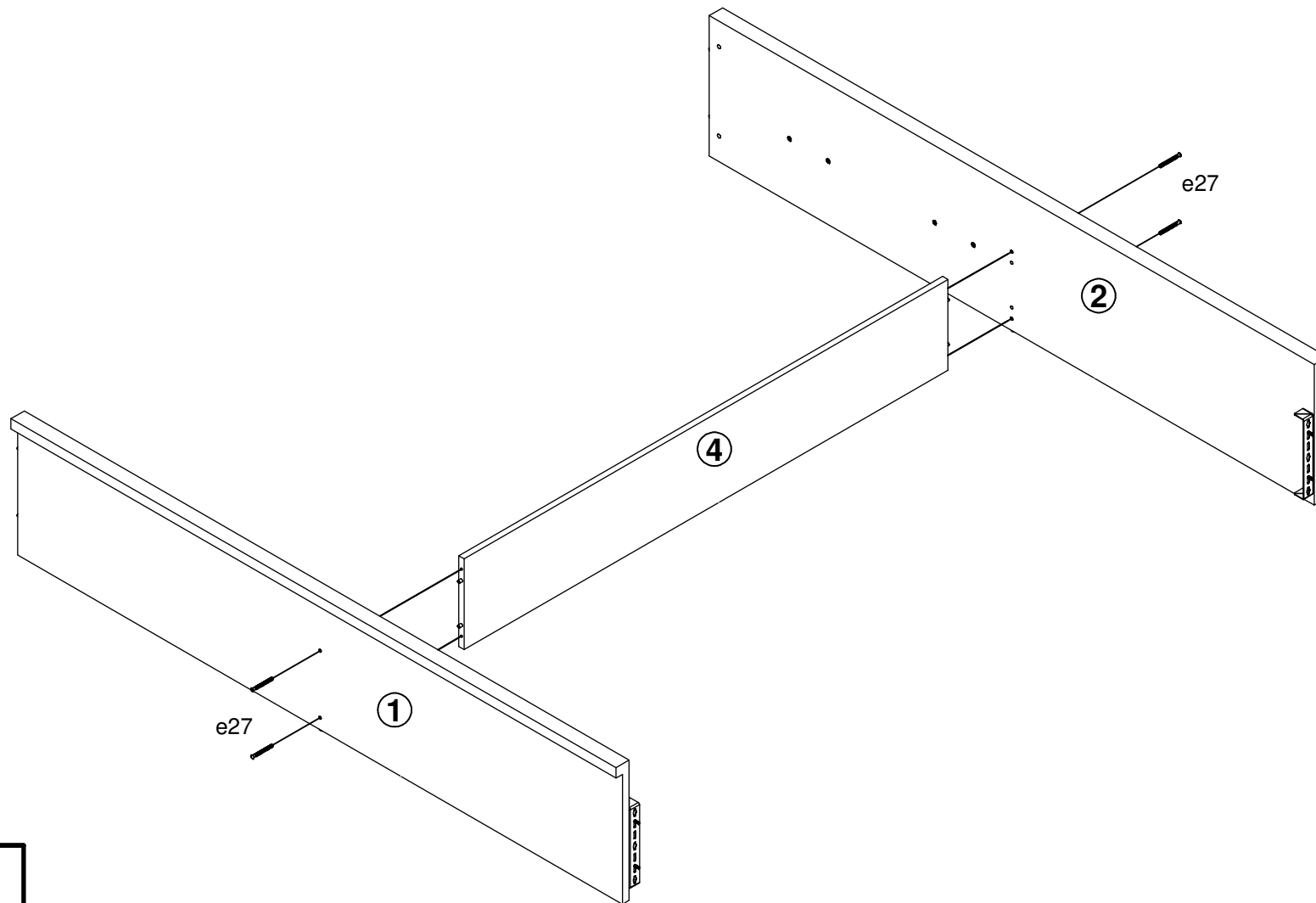


- |  |   |  |   |
|--|---|--|---|
| 10x  e7<br>Ø6.3x16 mm | 8x  f1<br>Ø8x30 mm | 2x  k103<br>Ø20x3mm | 2x  n232 |
|--|---|--|---|

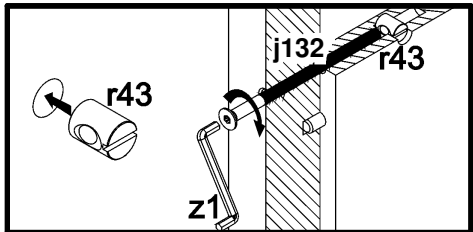
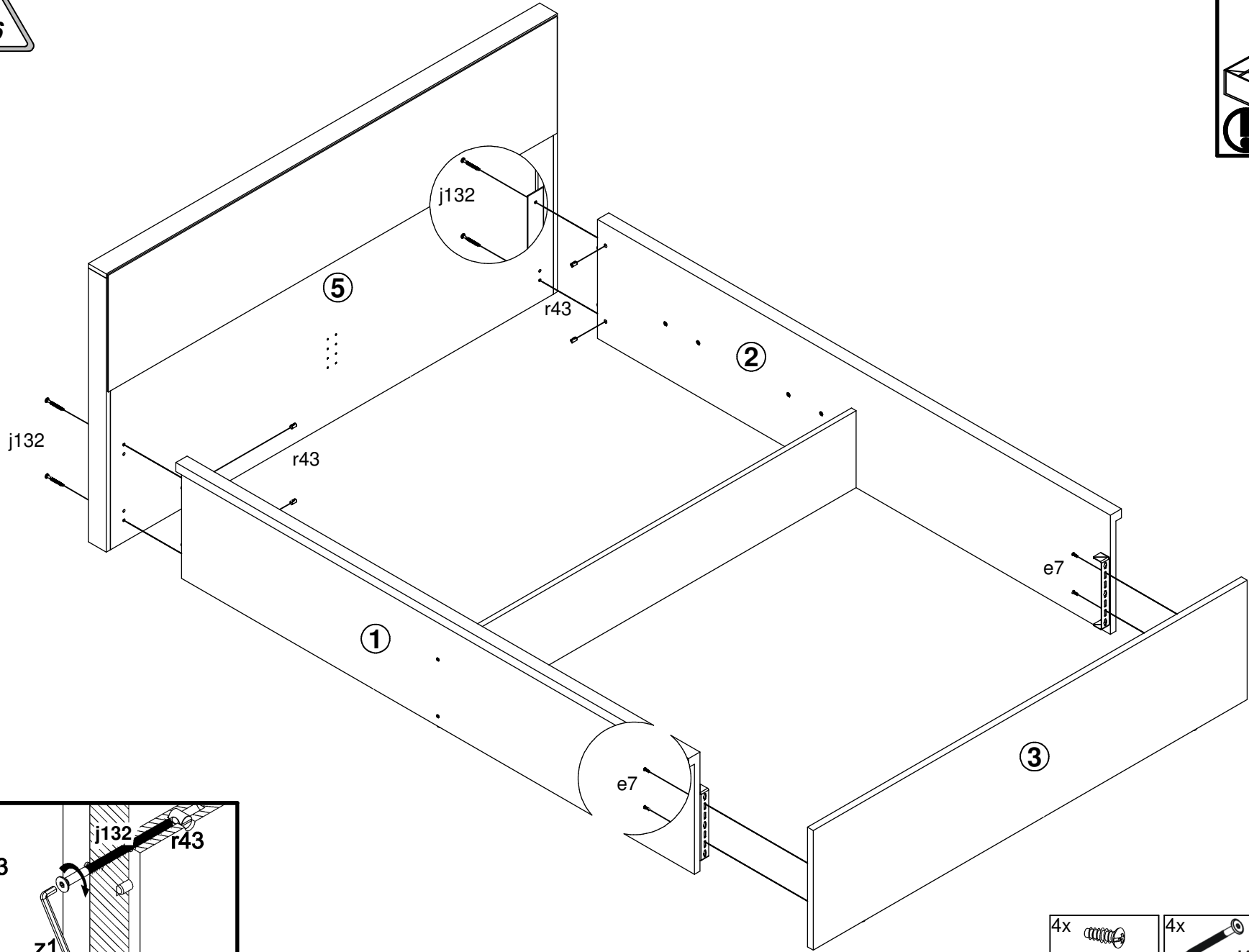
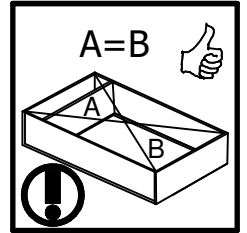
2 





**3** 

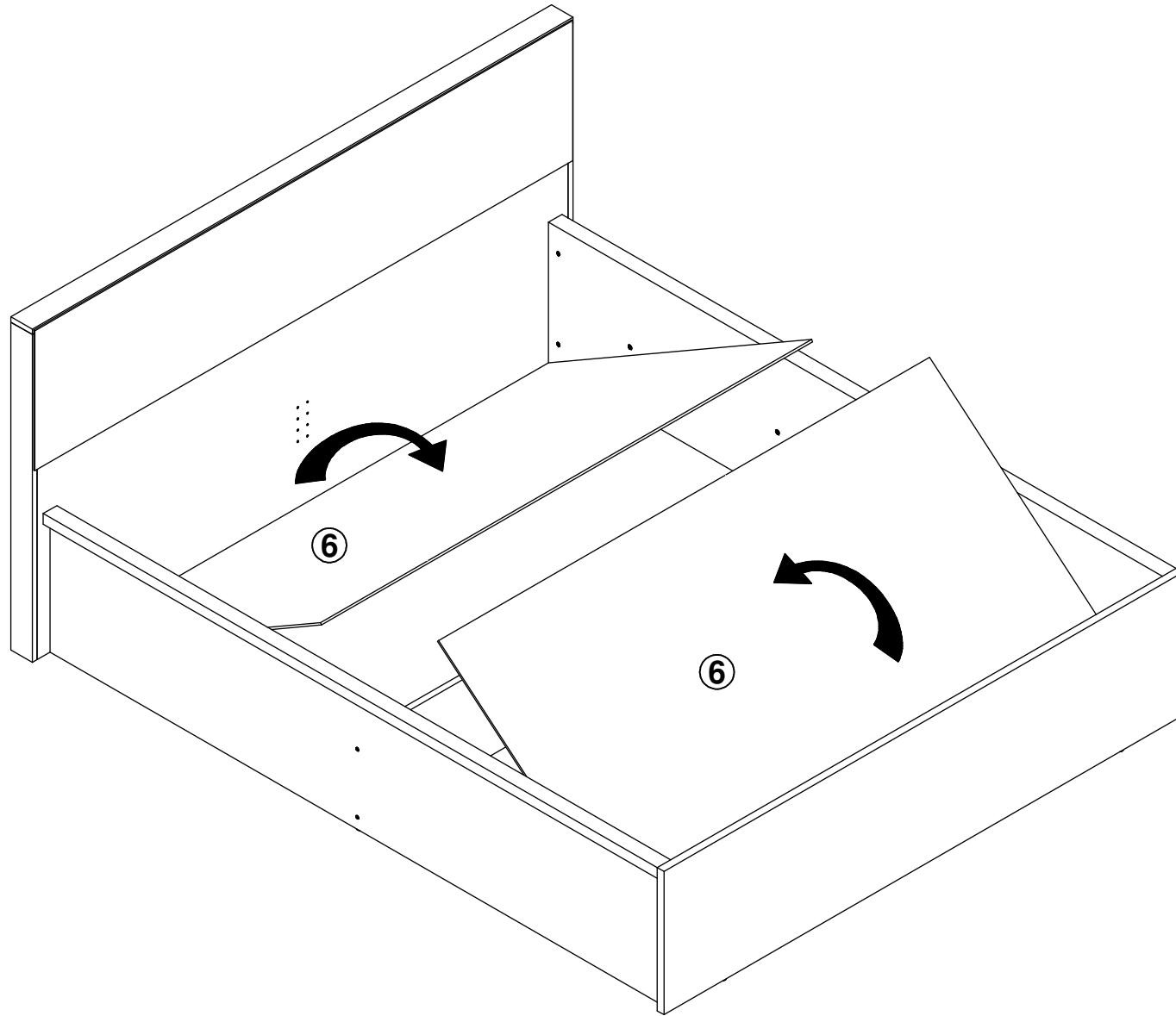


4 



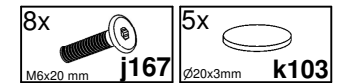
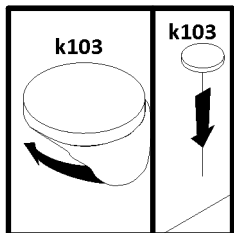
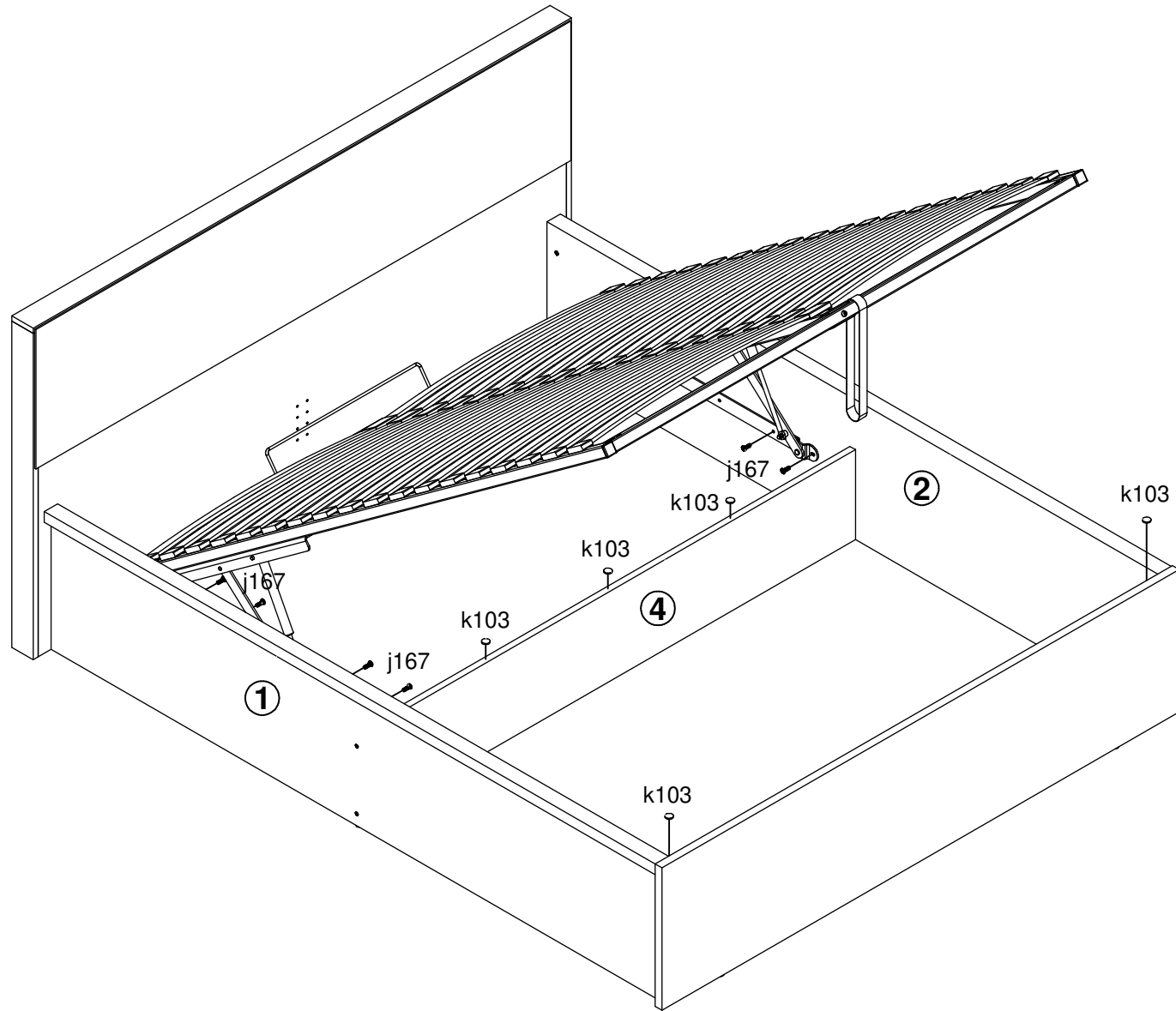
- 4x  e7 Ø6.3x16 mm
- 4x  j132 M6x65 mm
- 4x  r43 Ø10x16 mm

**5** 





6 



7

