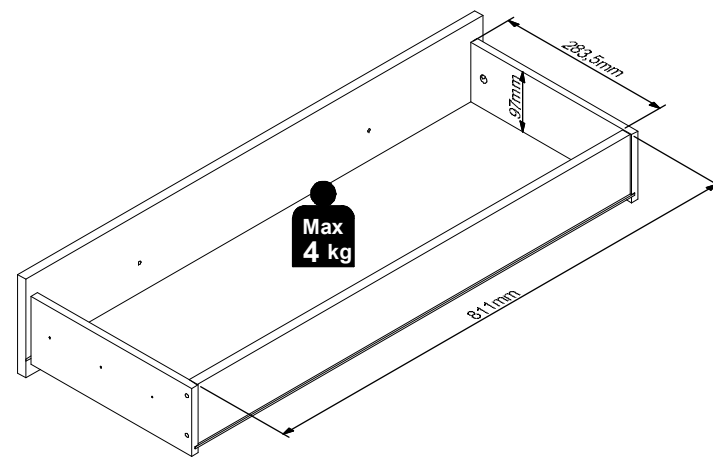
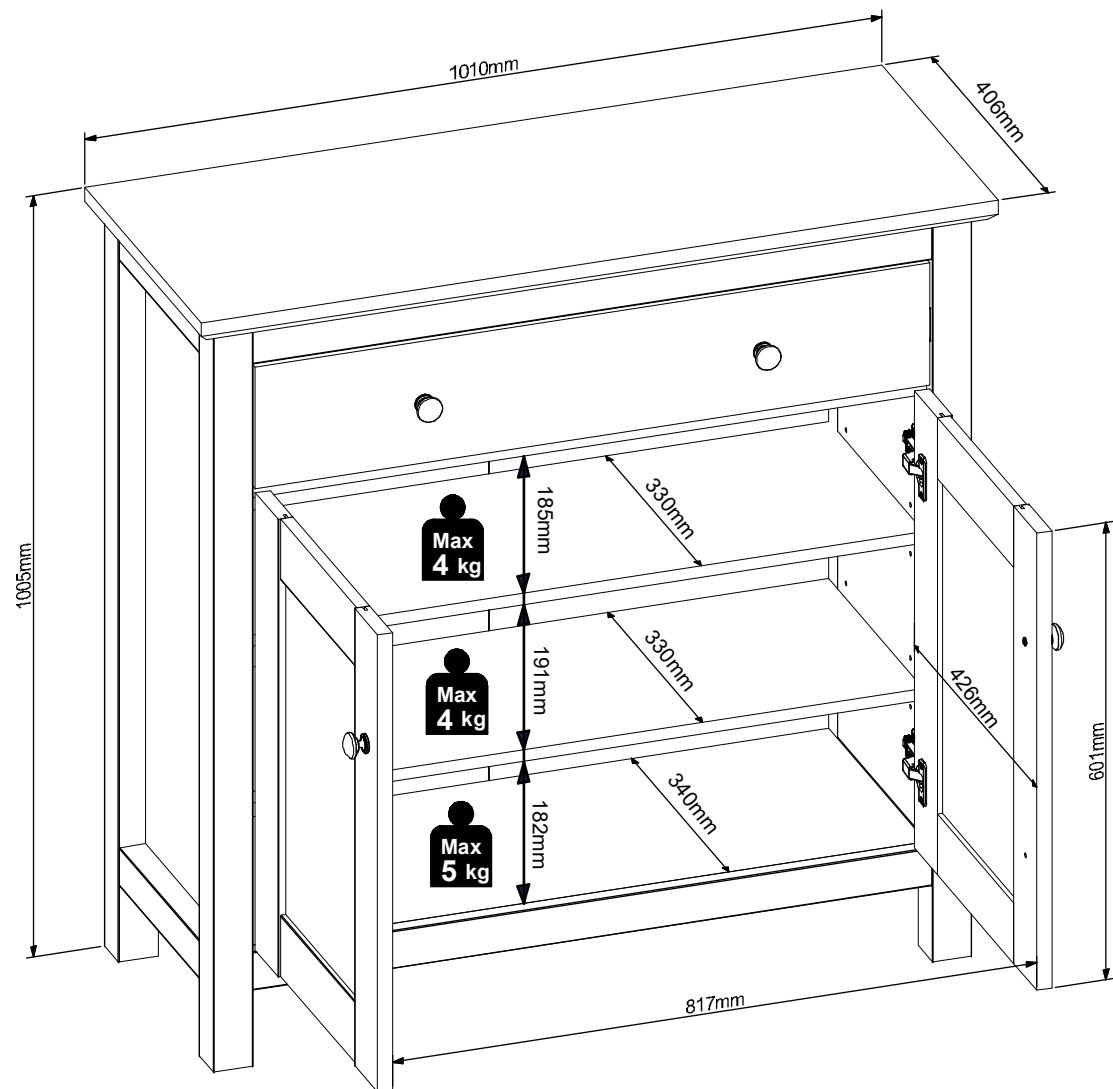


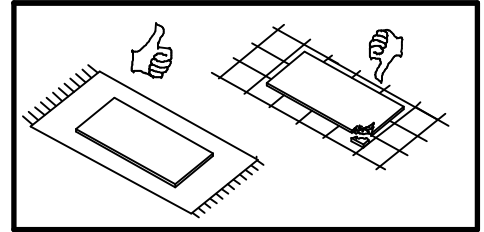
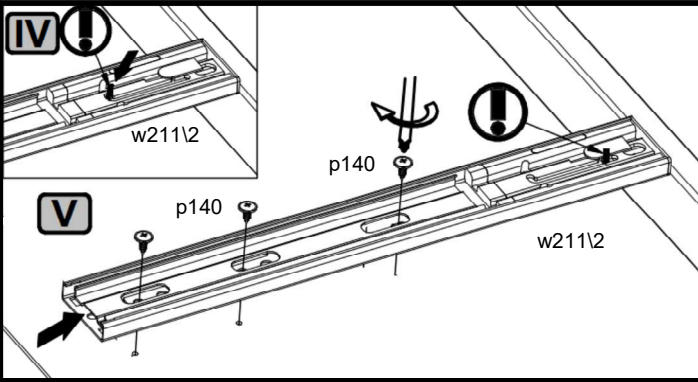
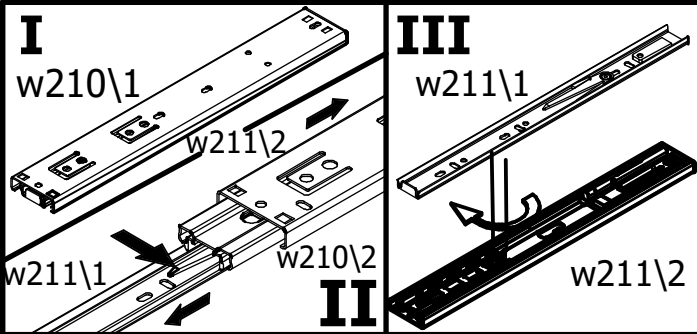
A	B	C1	C2	C3	D
1	M253-0001	601	426	19	2/2
2	M253-0002	855	160	15	2/2
3	M253-1001	972	381	50	1/2
4	M253-1002	972	381	50	1/2
5	M253-2001	1010	406	28	1/2
6	M253-3001	861	340	15	2/2
7	M253-3002	860	330	15	2/2
8	M253-4001	861	60	15	1/2
9	M253-5201	861	50	19	1/2
10	M253-5403	811	97	15	1/2
11	M253-9301	841	871	2,5	2/2
12	WKP2-5003	300	110	12	1/2
13	WKP2-5004	300	110	12	1/2
14	WSP-9647	822	308	2,5	1/2

4x KIT: 435 a203	4x b90	4x c475
8x Ø5x17 mm d1	6x d41\2	14x Ø8x30 mm f1
4x Ø6,5x40 mm f25	2x M4x20 mm j1	2x M4x25 mm j8
4x k1	6x l2	42x Ø3,5x16 mm p38
9x Ø3,5x15 mm p51	13x Ø3,5x12 mm p140	10x Ø15x12 mm #16 r1
2x Ø12x10,5 mm #12 r15	12x 20/11 r42	1x 300 mm t25
1x L-300mm w211\2	1x L-300mm w211\1	

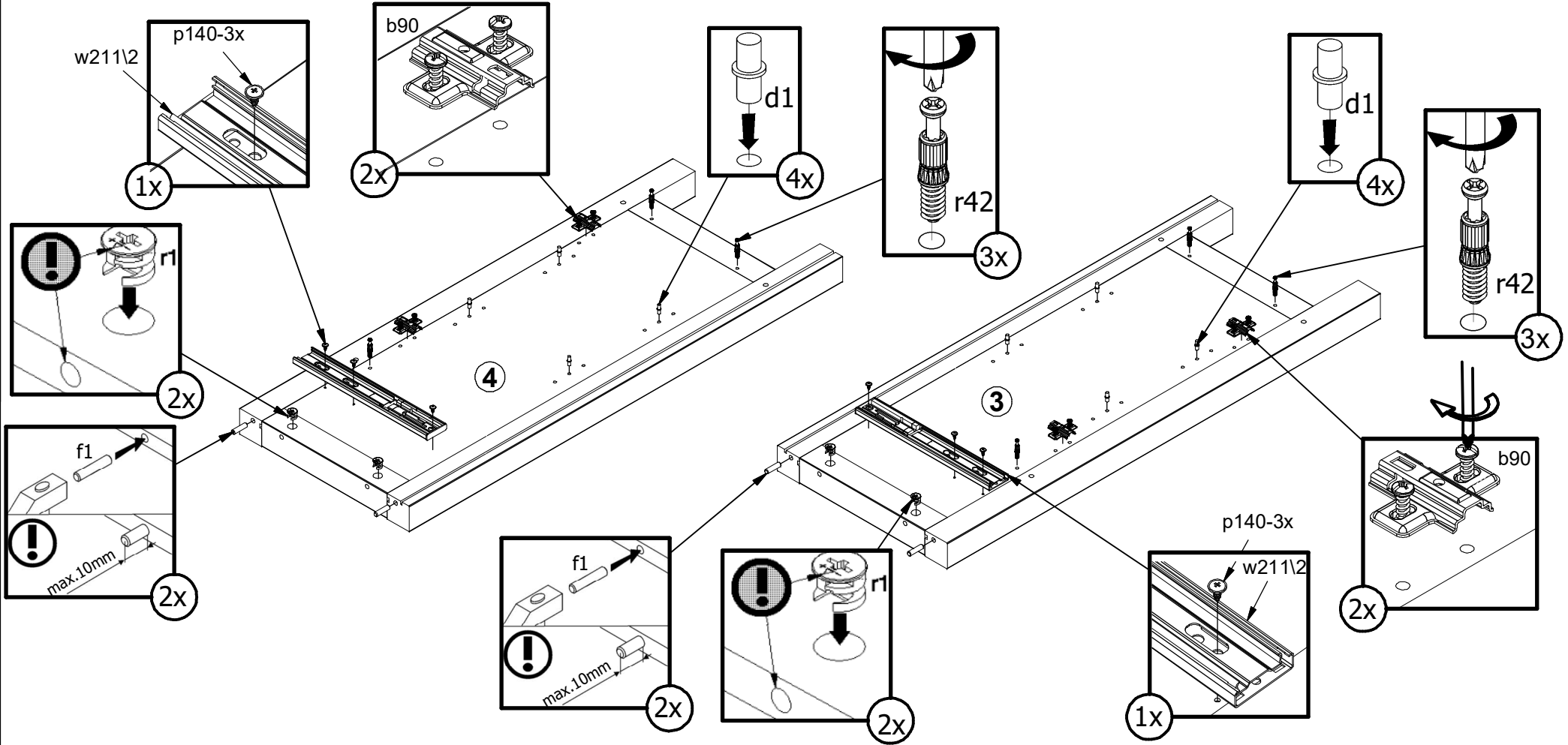
1x Ø10x50 mm f35	1x Ø5x60 mm p17	2x Ø3,5x16 mm p38	1x 88x21x15/1,5 n14\2
------------------------	-----------------------	-------------------------	-----------------------------

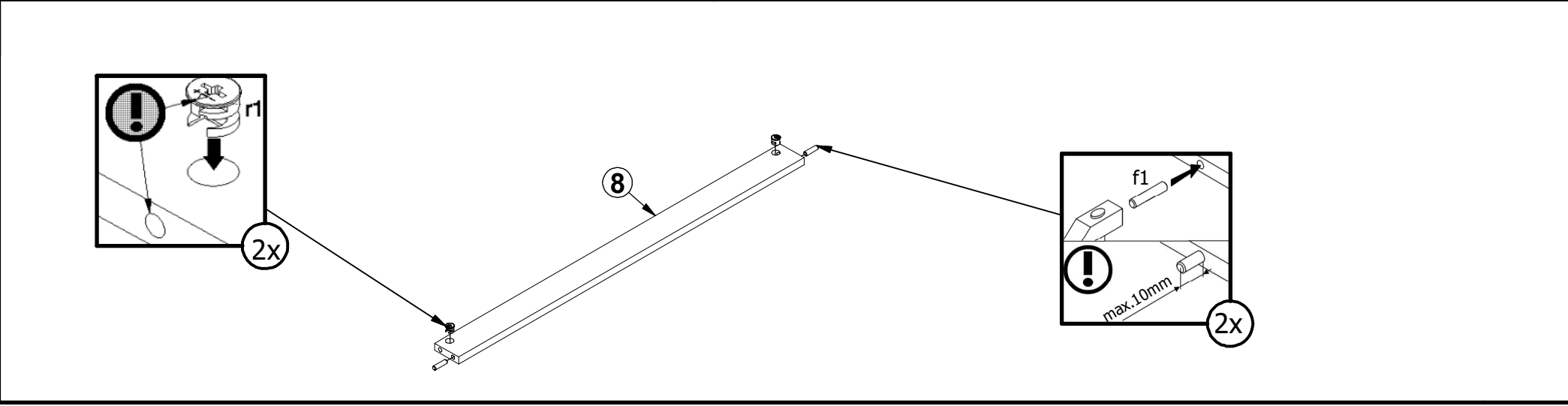
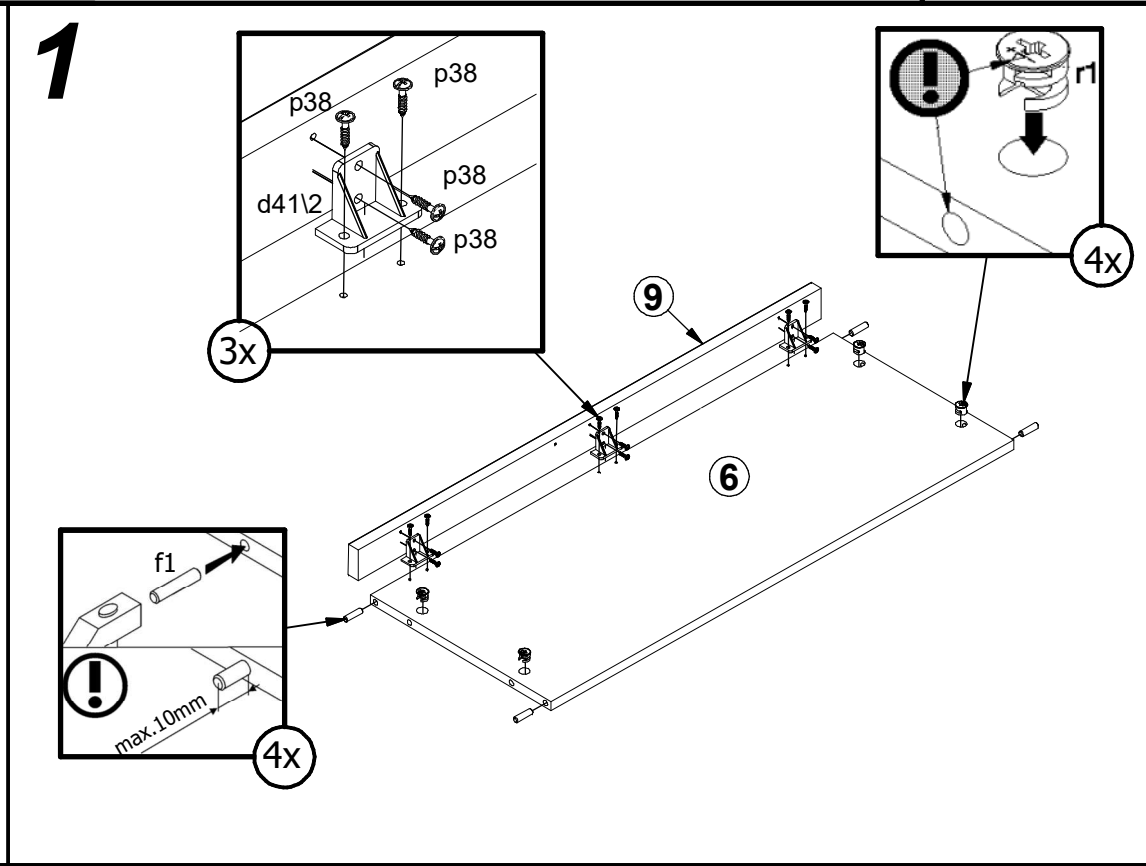
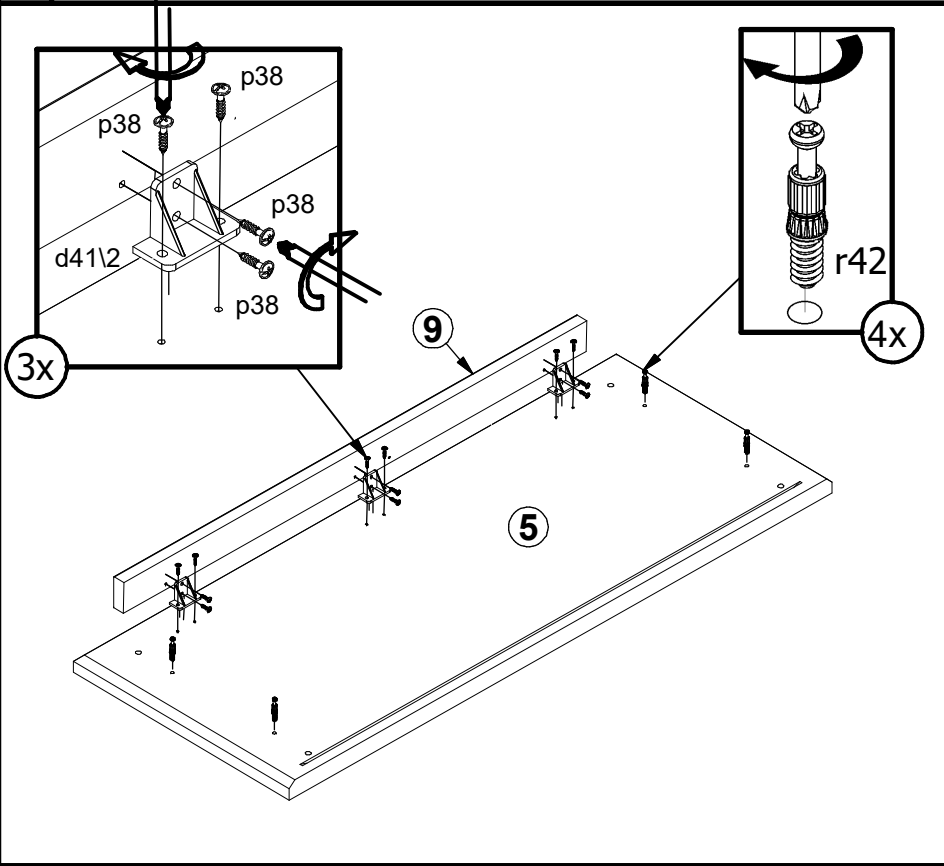




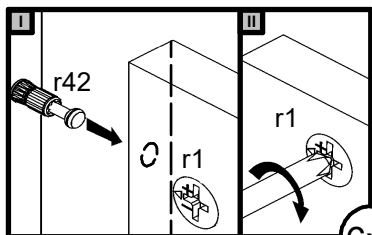


**1** **§1**

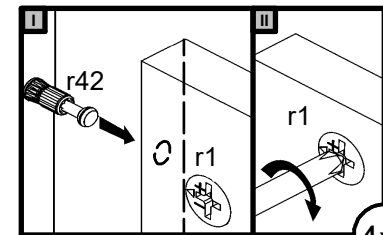




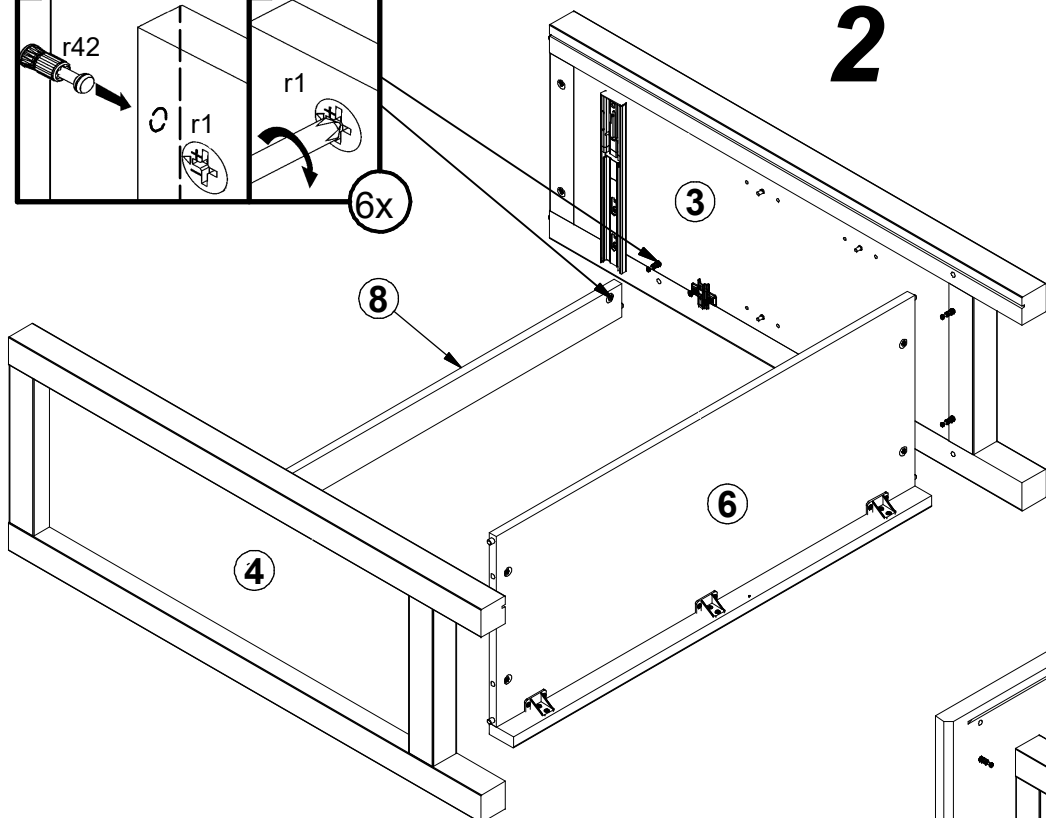
2



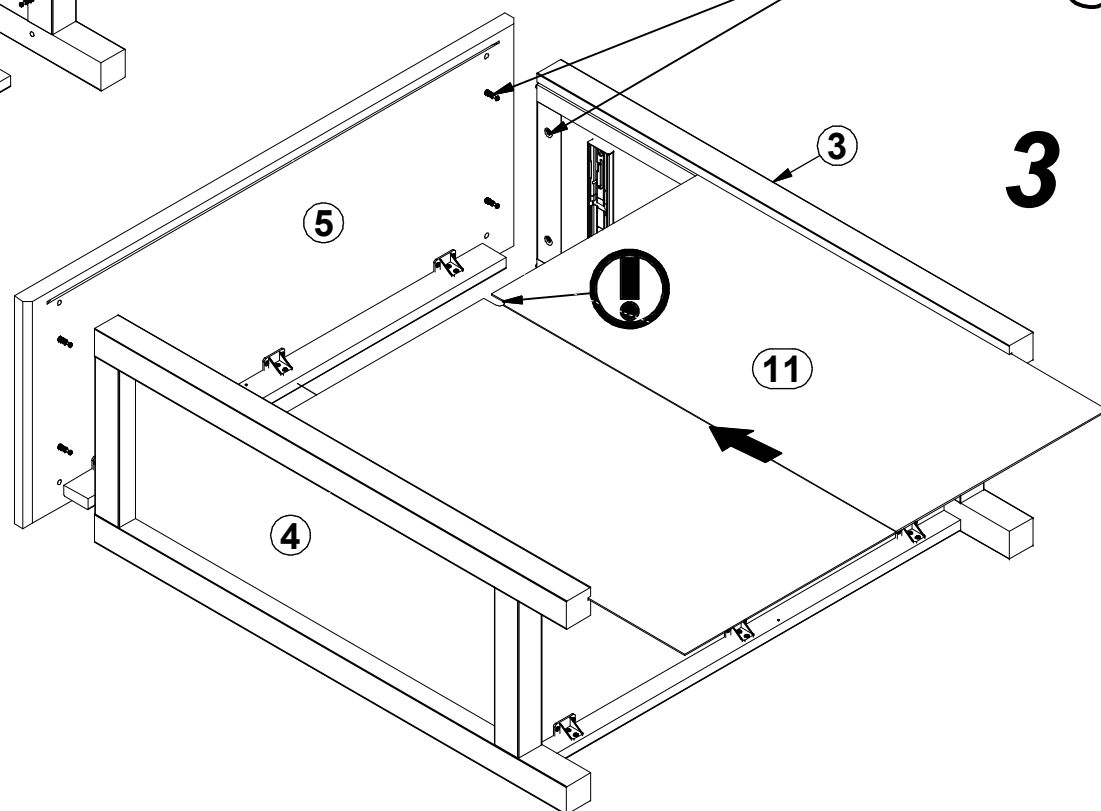
6x



4x



3

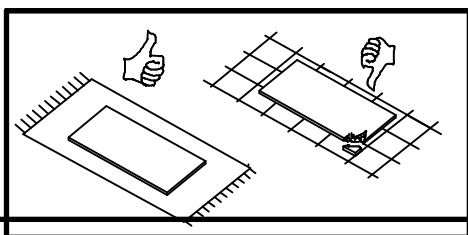


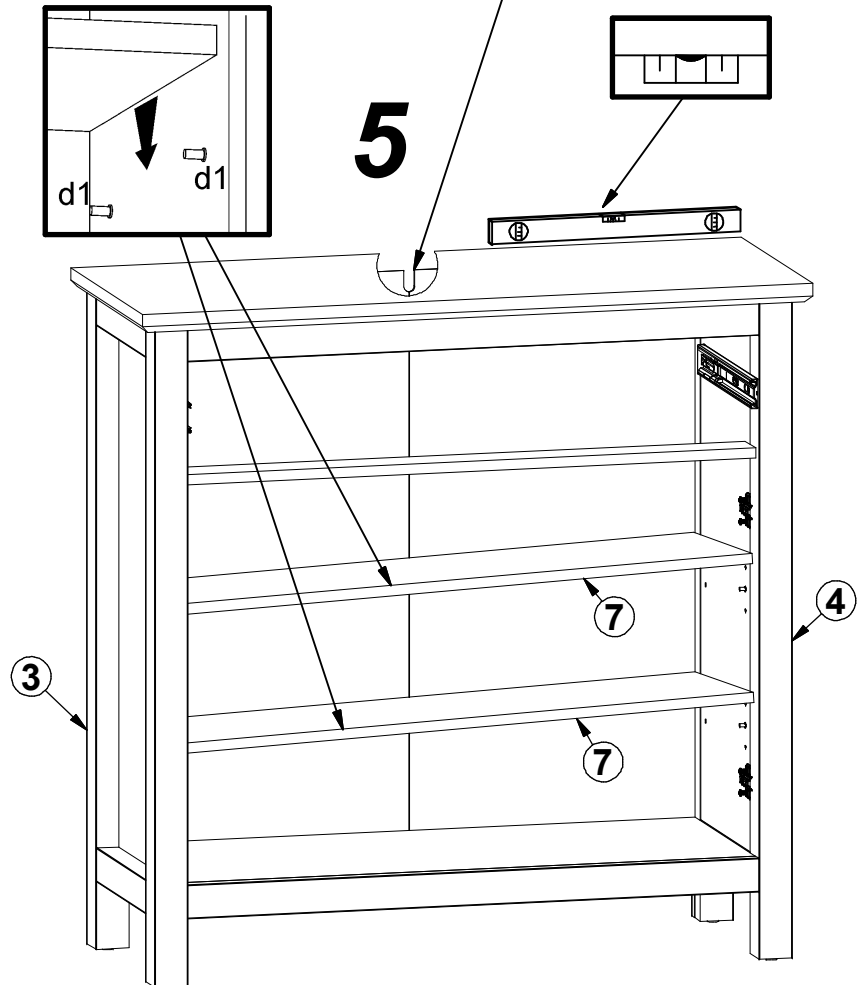
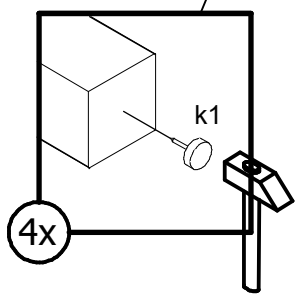
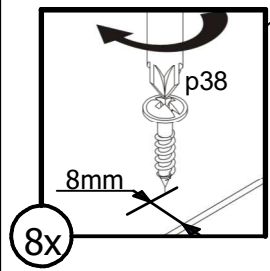
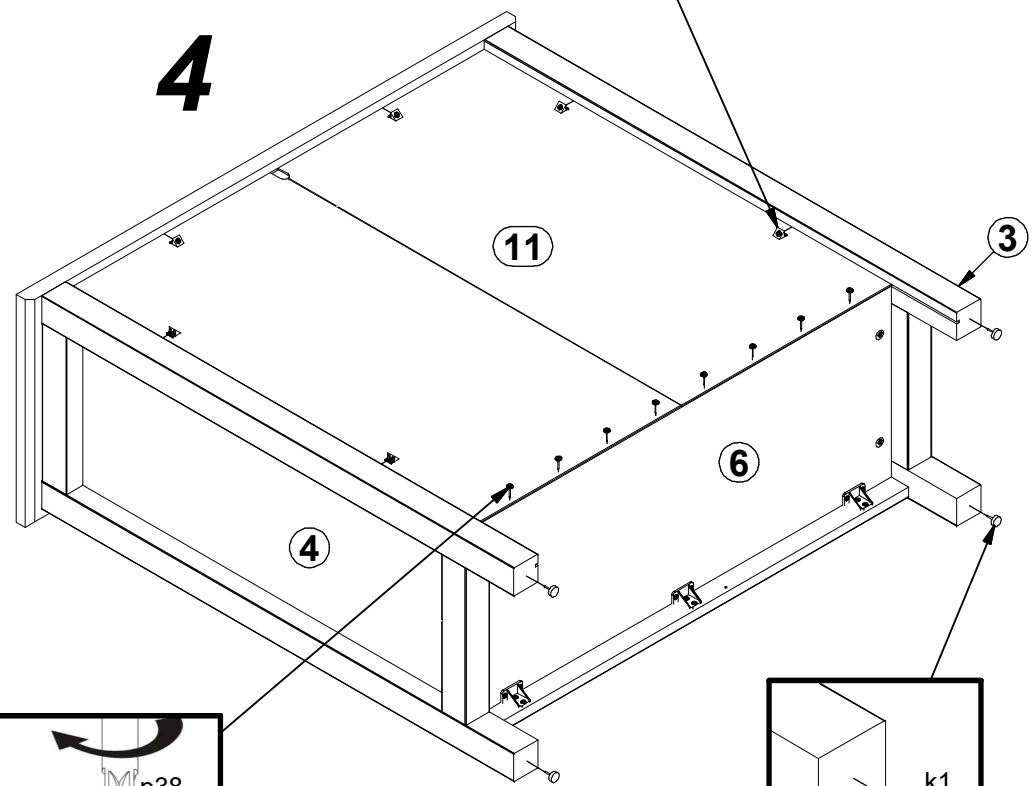
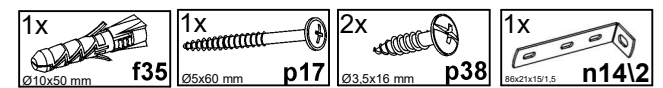
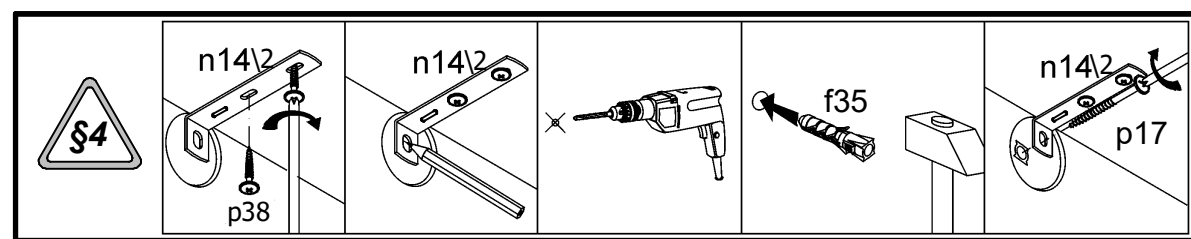
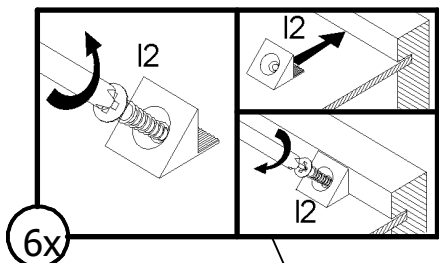
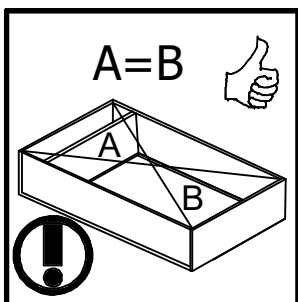
11

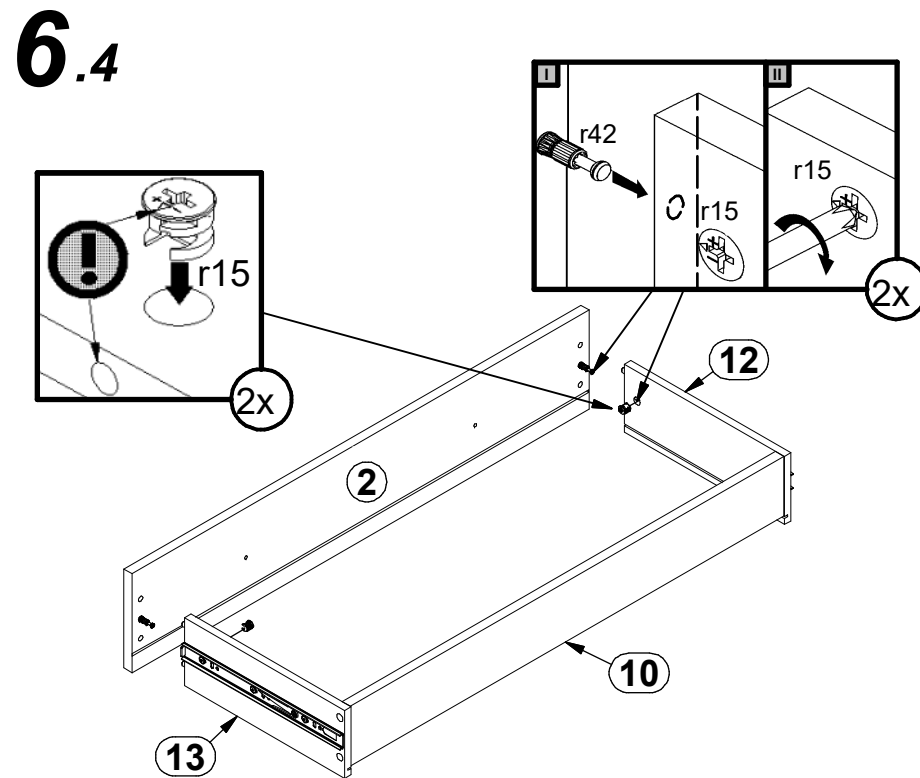
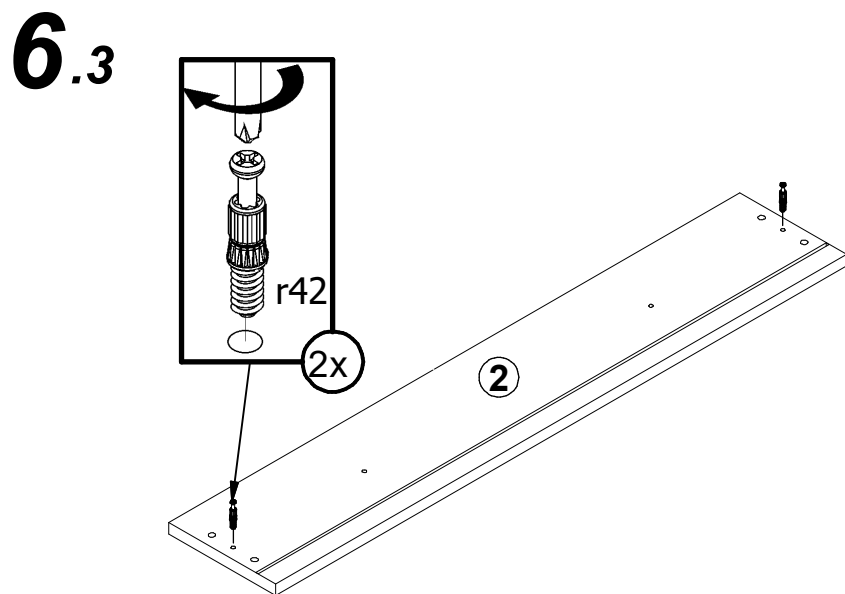
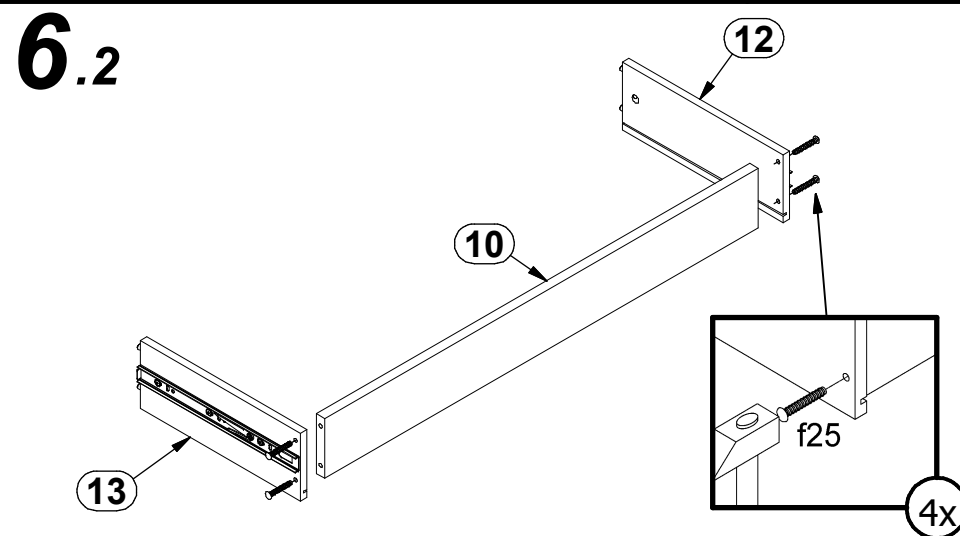
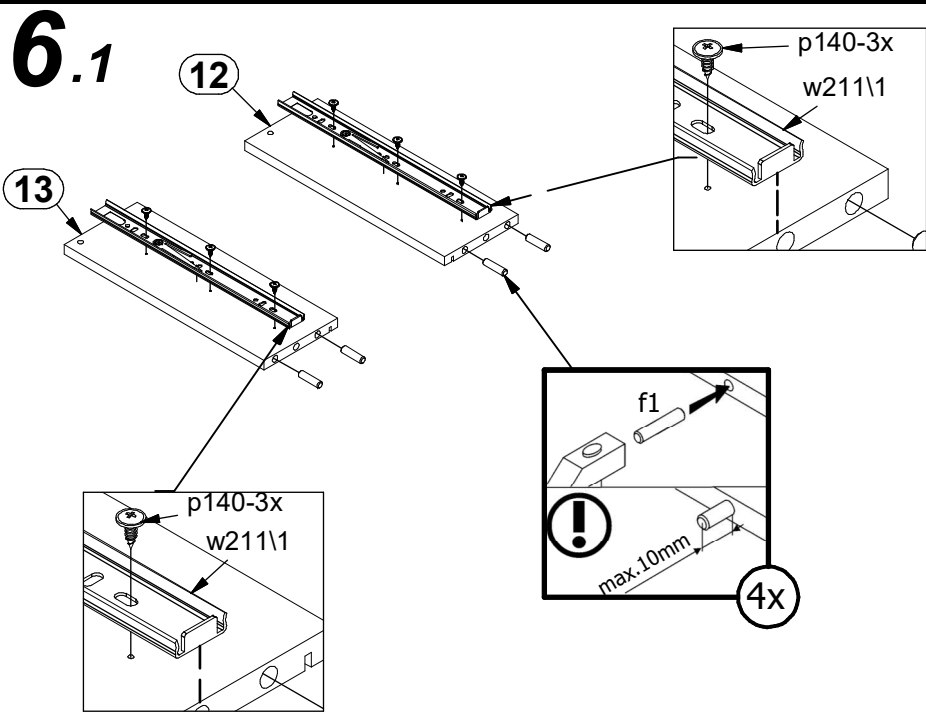
4

5

3

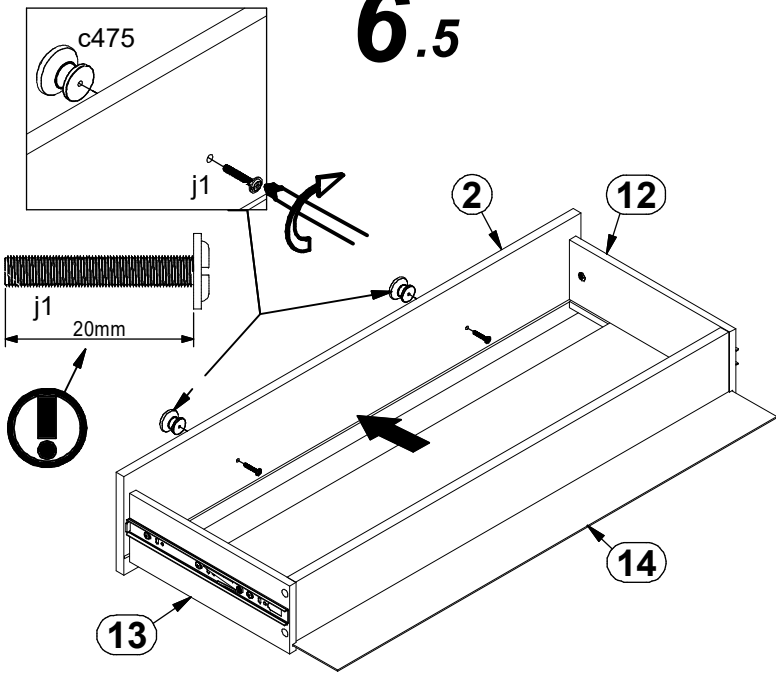




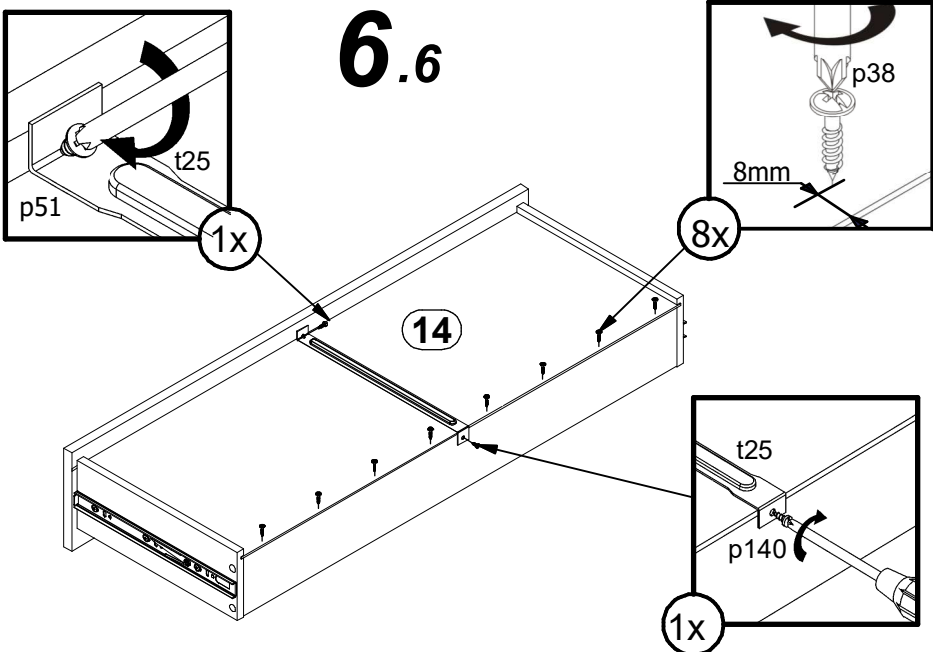




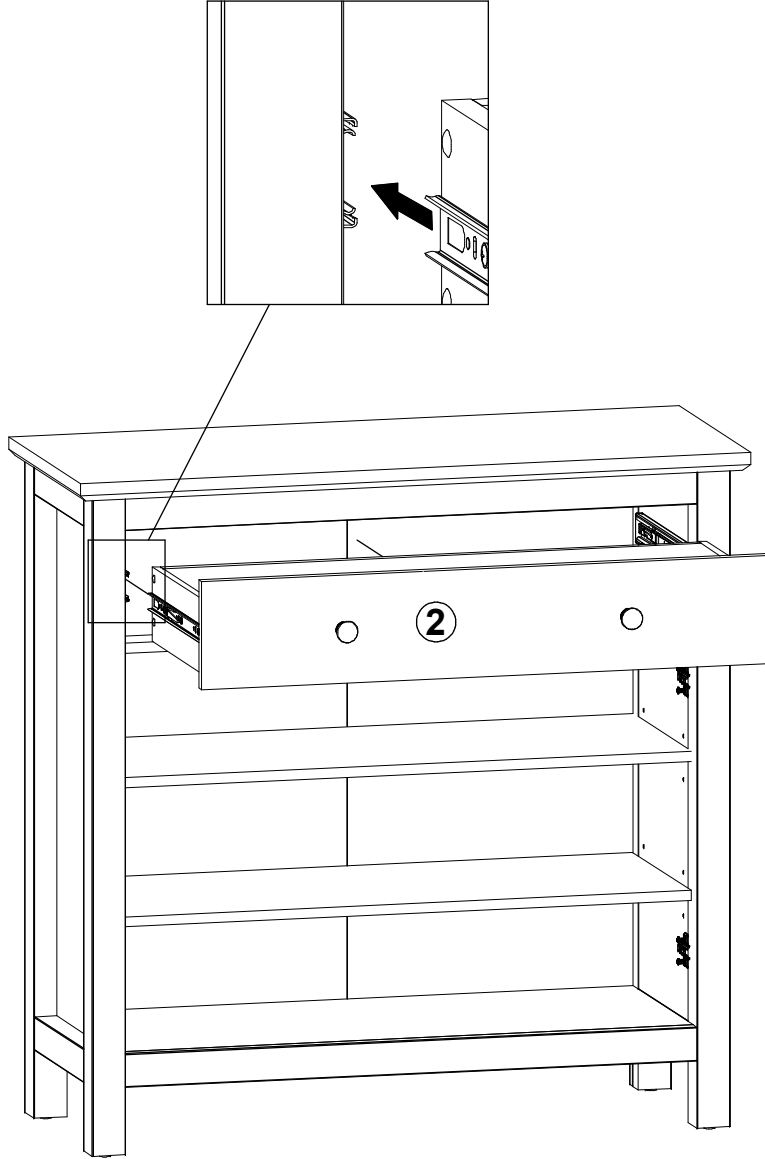
# 6.5

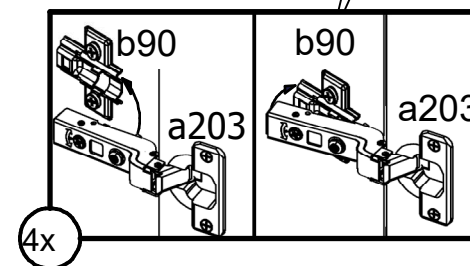
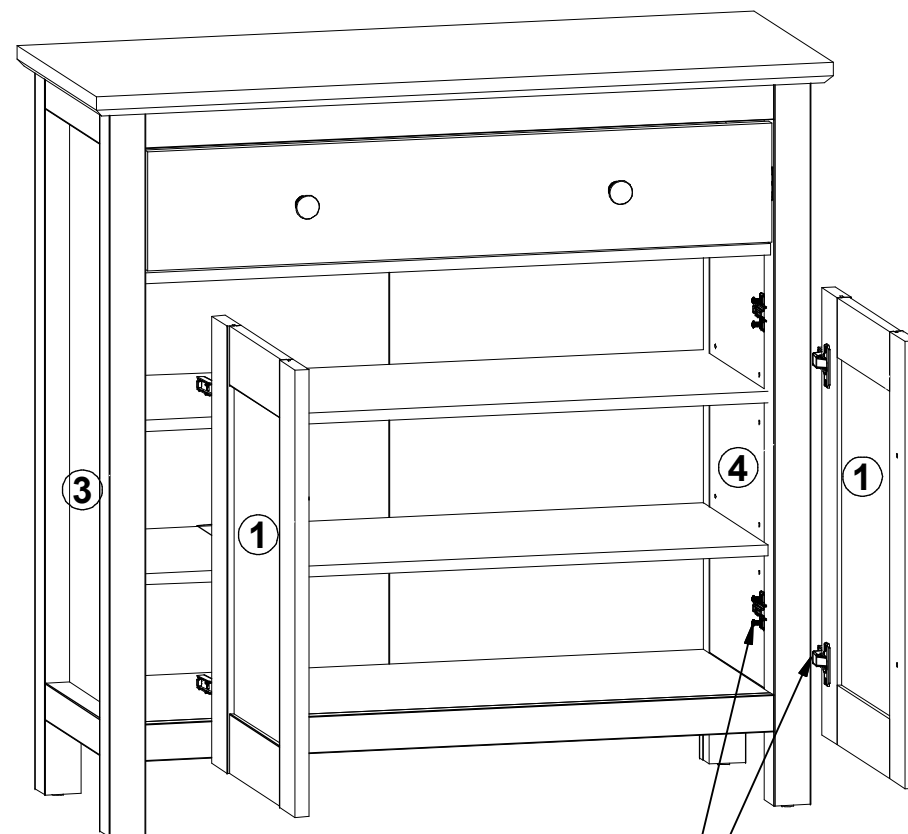
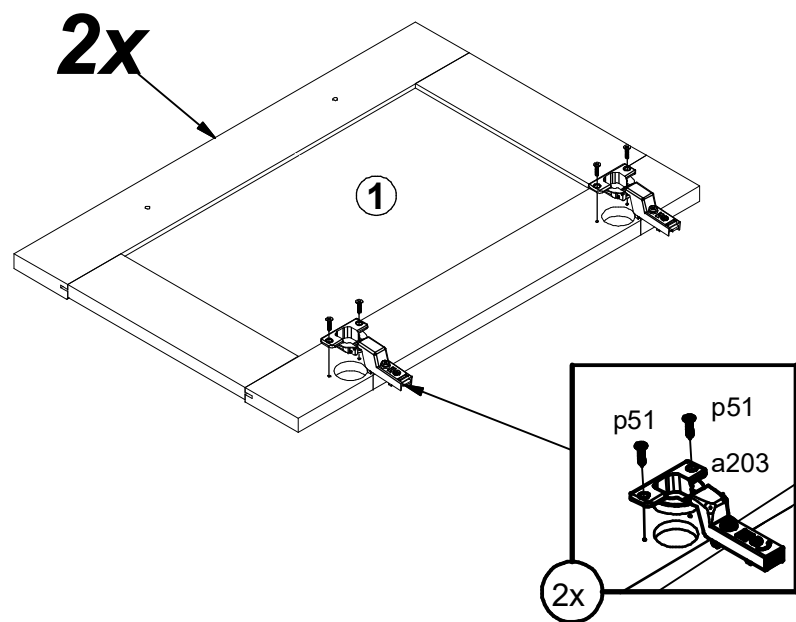


# 6.6



# 7







9

