

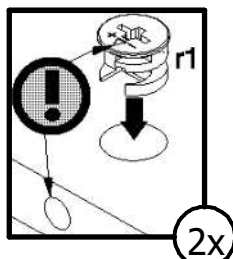
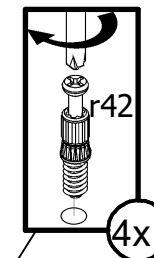
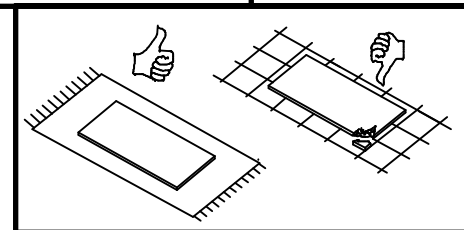
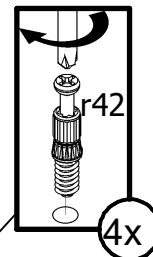
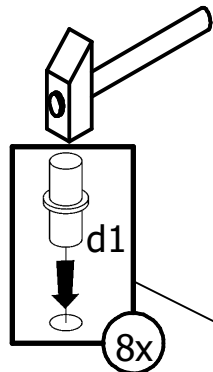
A	B	C1	C2	C3	D
1	M253-0006	1766	505	19	1/2
2	M253-1006	1972	381	50	2/2
3	M253-1007	1972	381	50	2/2
4	M253-2002	660	406	28	1/2
5	M253-3003	511	340	15	1/2
6	M253-3007	511	339	15	1/2
7	M253-5202	511	50	19	1/2
8	M253-9303	1841	521	2,5	2/2
9	M253-3004	510	330	15	1/2

3x K16, #35 a203	3x b90	1x c475
16x d1 Ø5x17 mm	4x d41\2	12x f1 Ø8x30 mm
1x j8 M4x25 mm	4x k1	11x l2
1x g76\1 L-28x60	2x j53 M4x25 mm	24x p38 Ø3,5x16 mm
6x p51 Ø3,5x15 mm	12x r42 20/11	12x r1 Ø15x12 mm #16
8x s2 Ø16		

1x f35 Ø10x50 mm	1x p17 Ø5x60 mm	2x p38 Ø3,5x16 mm	1x n14\2 88x21x15/1,5
------------------------	-----------------------	-------------------------	-----------------------------

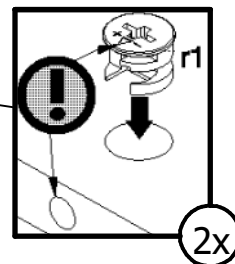
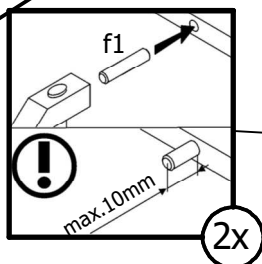
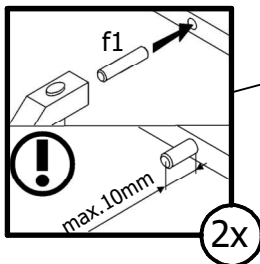
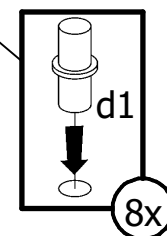


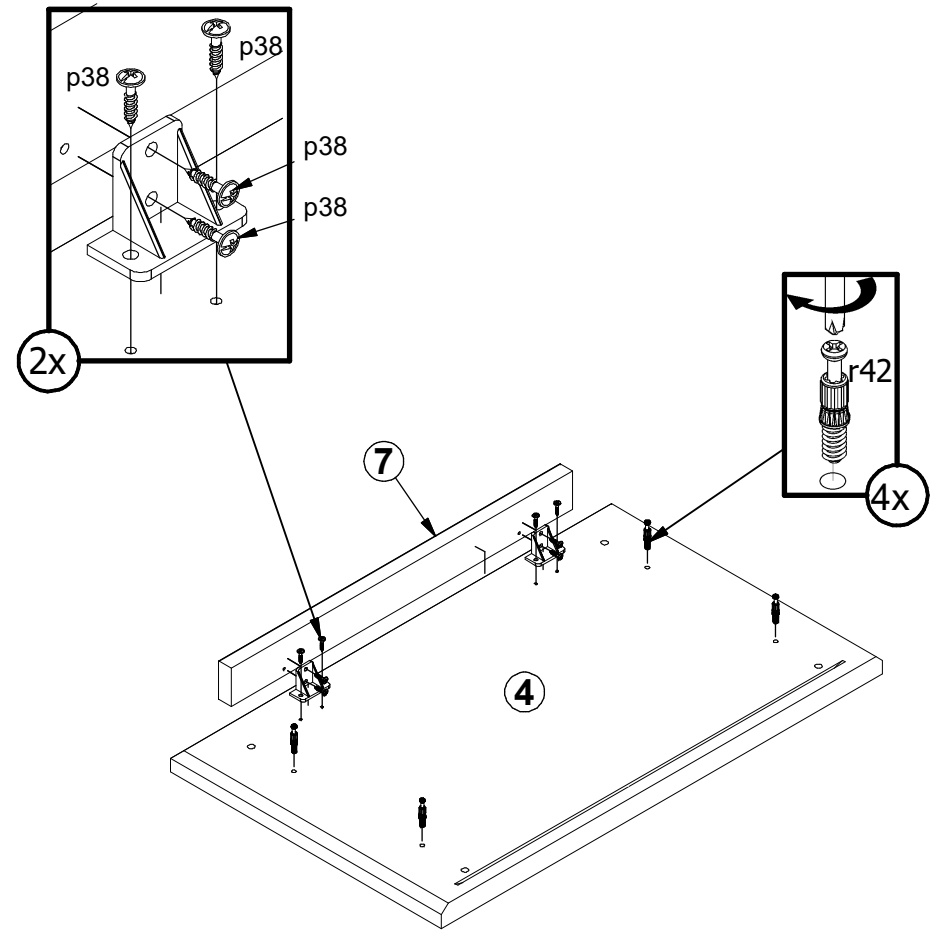
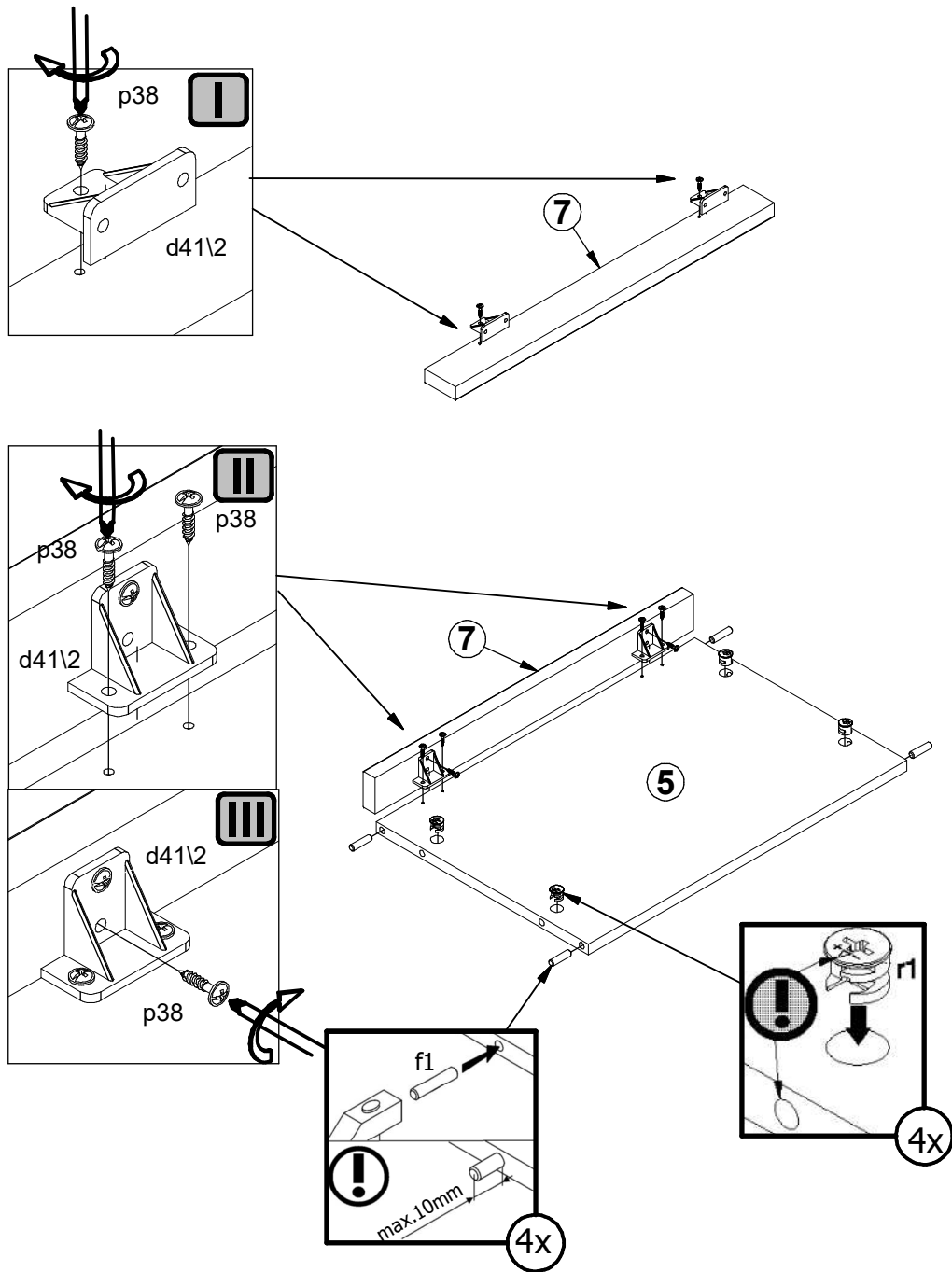
1 §1

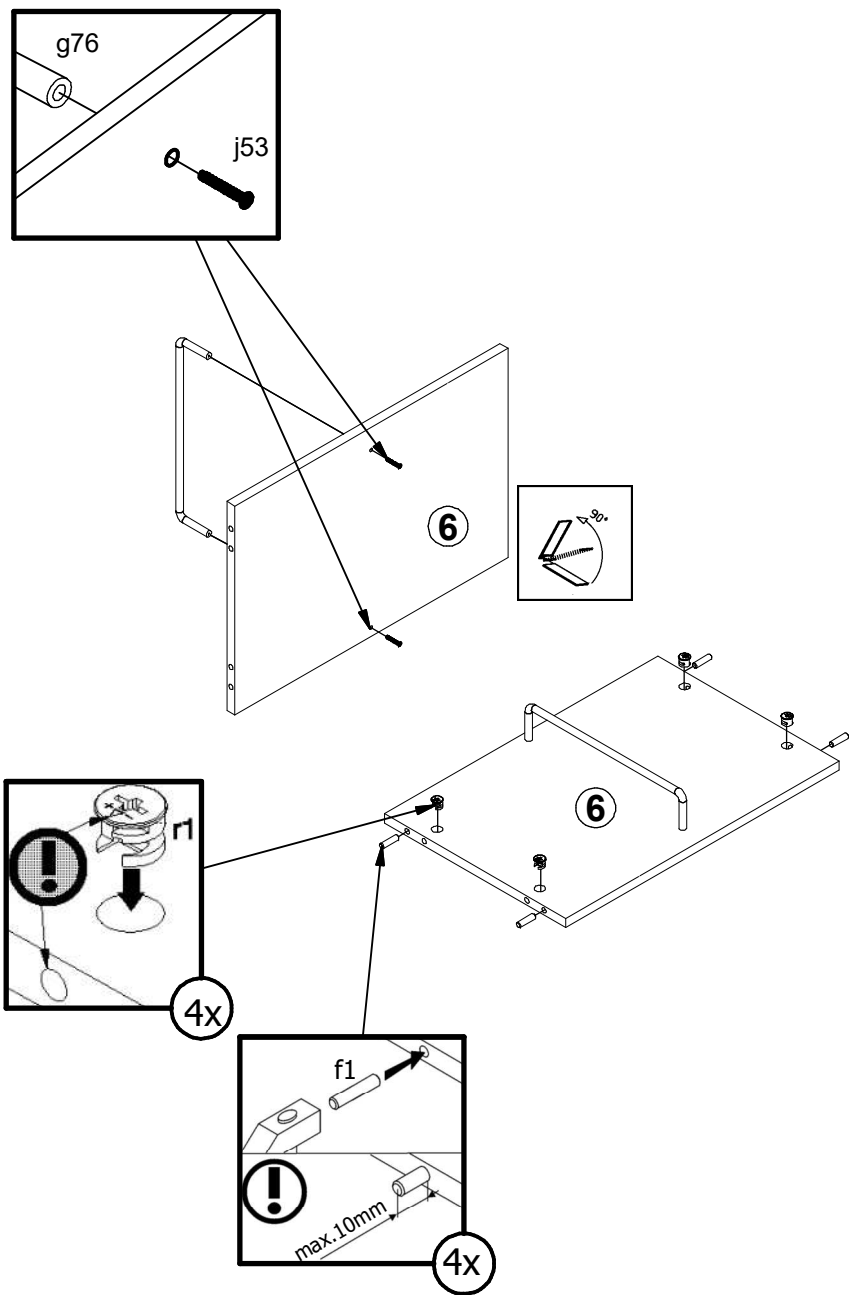


3

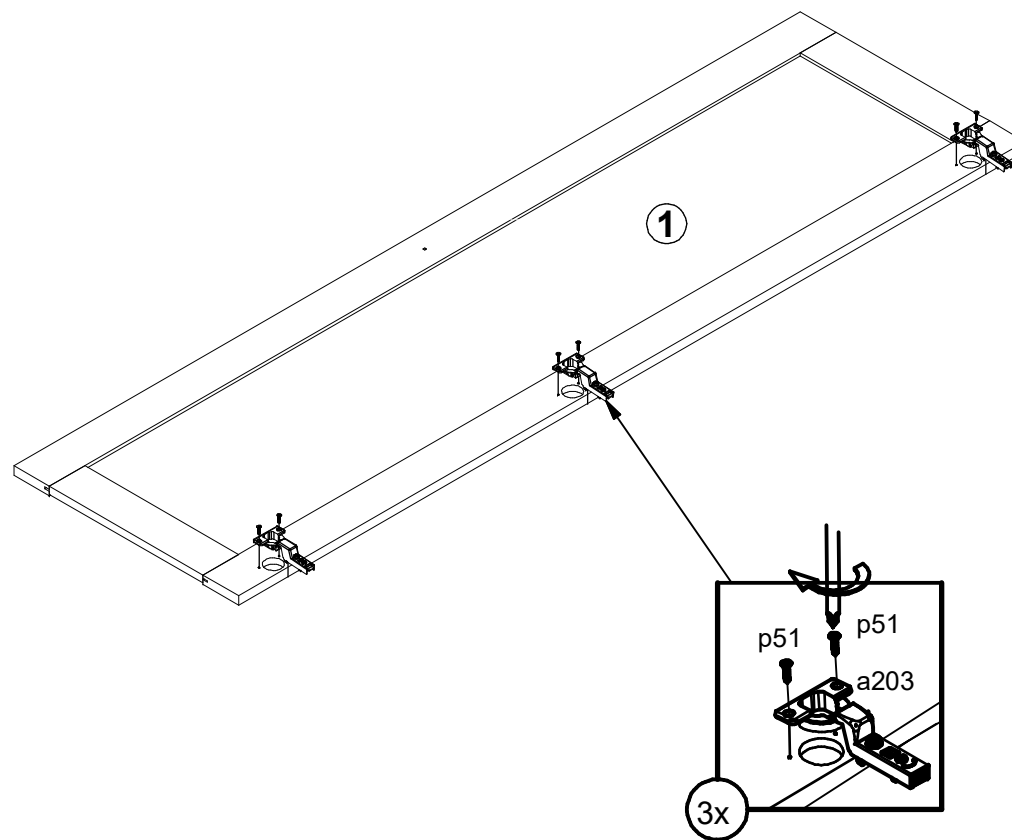
2

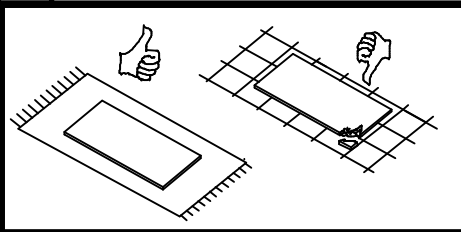




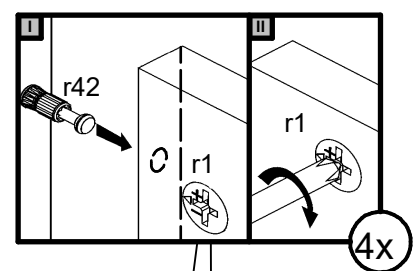


1

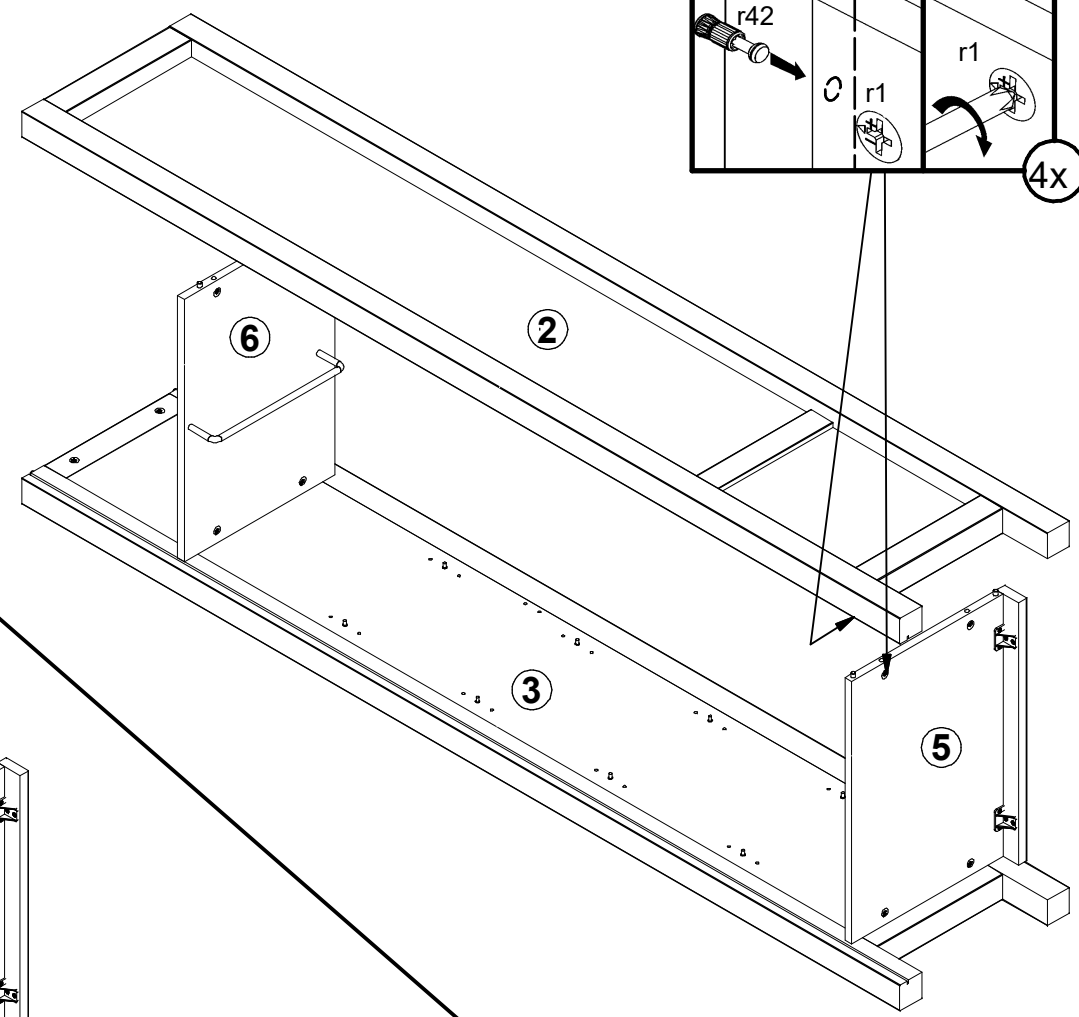
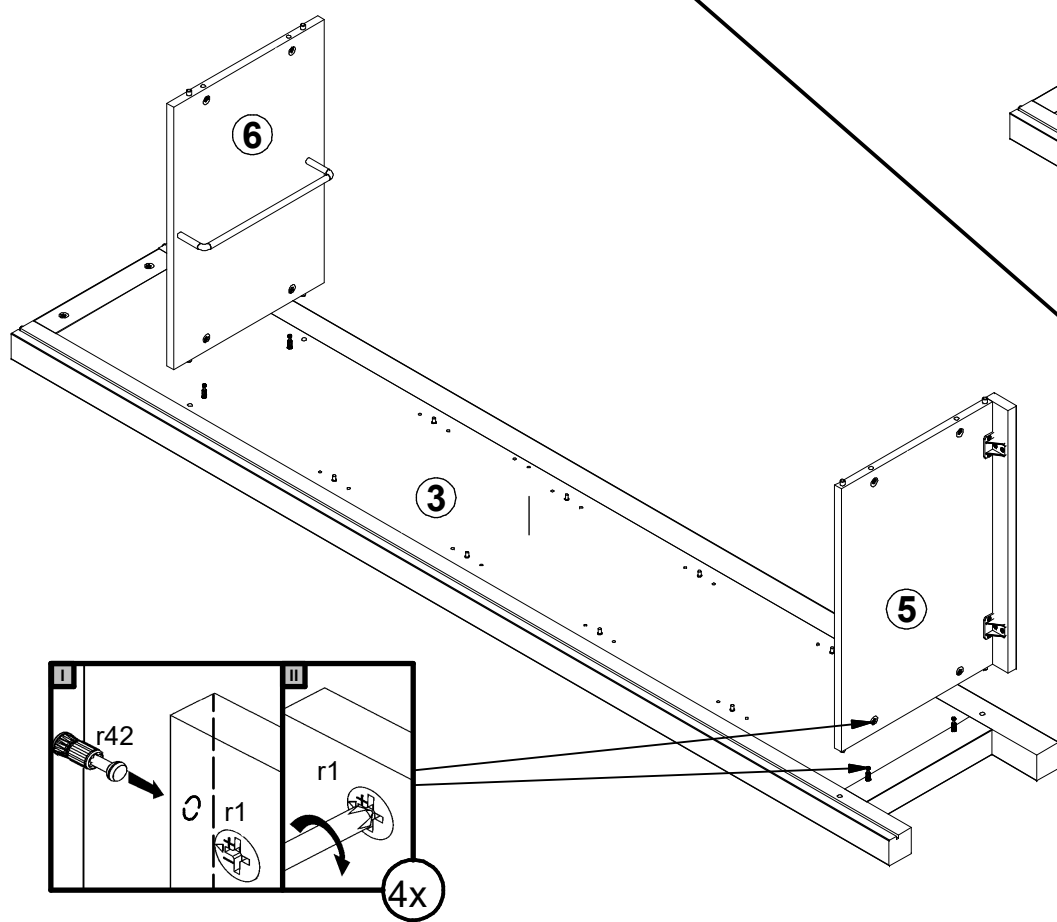


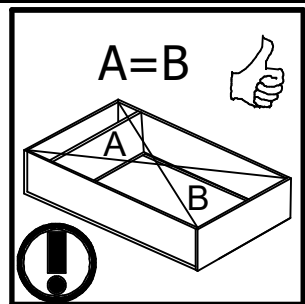


3



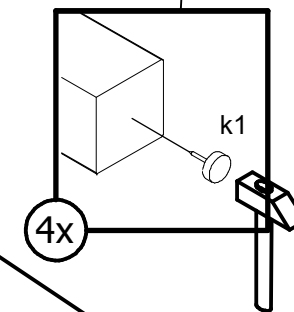
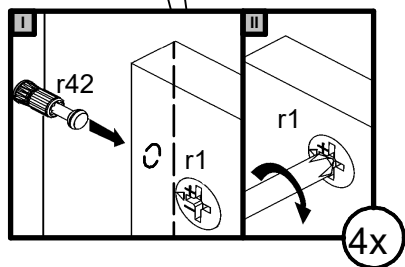
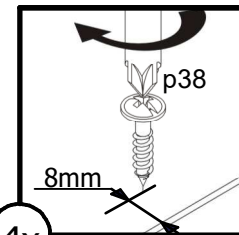
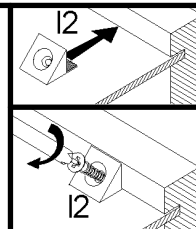
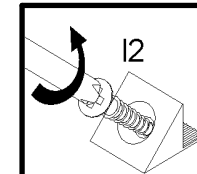
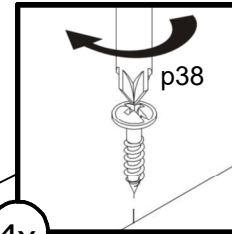
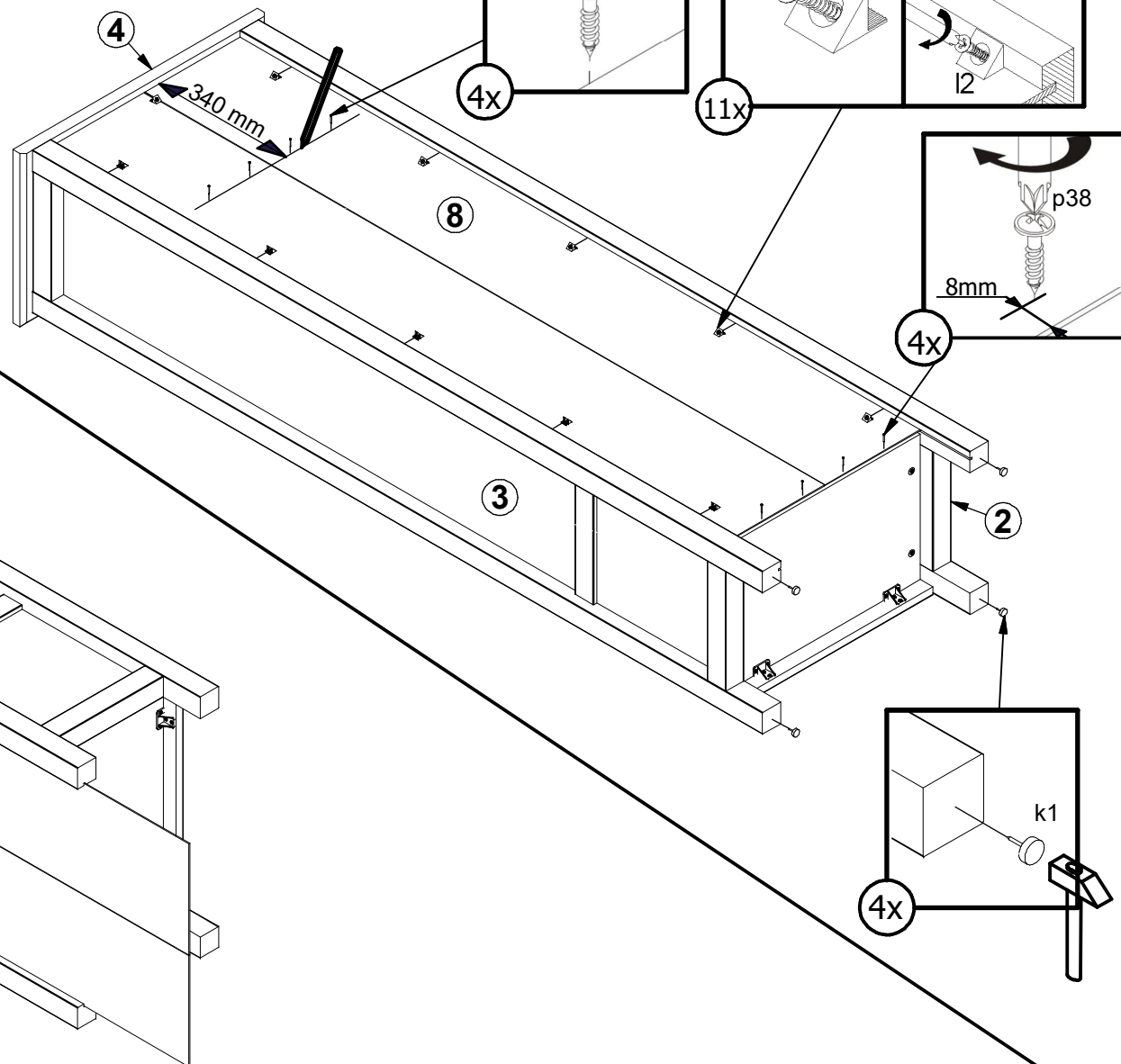
2



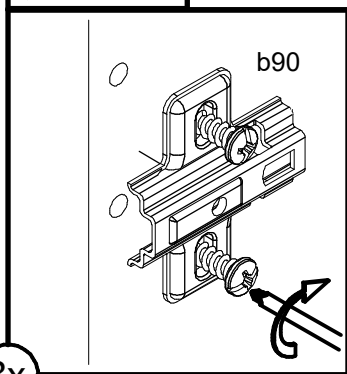
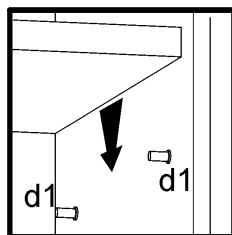
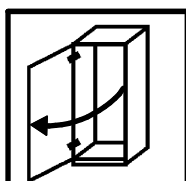
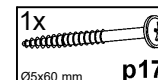
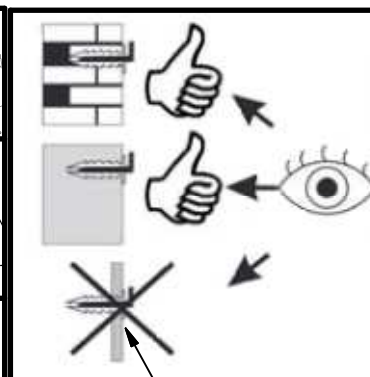
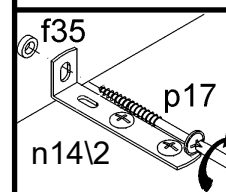
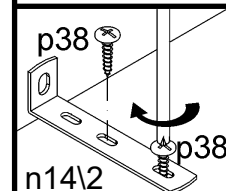
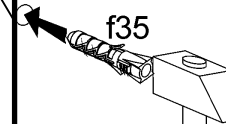
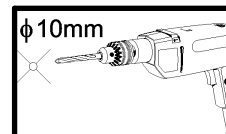
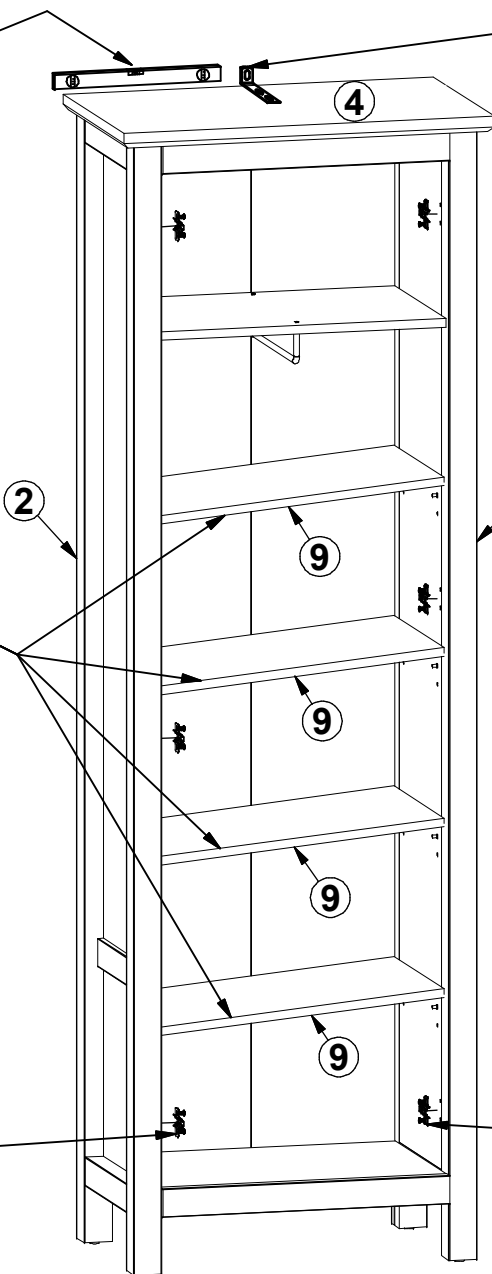
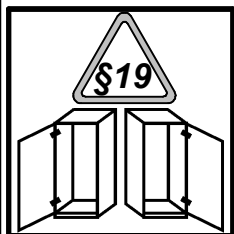


5

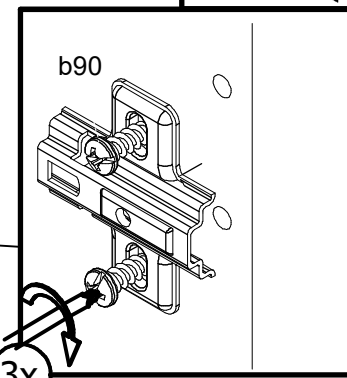
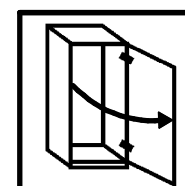
4



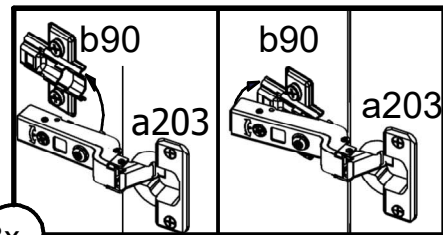
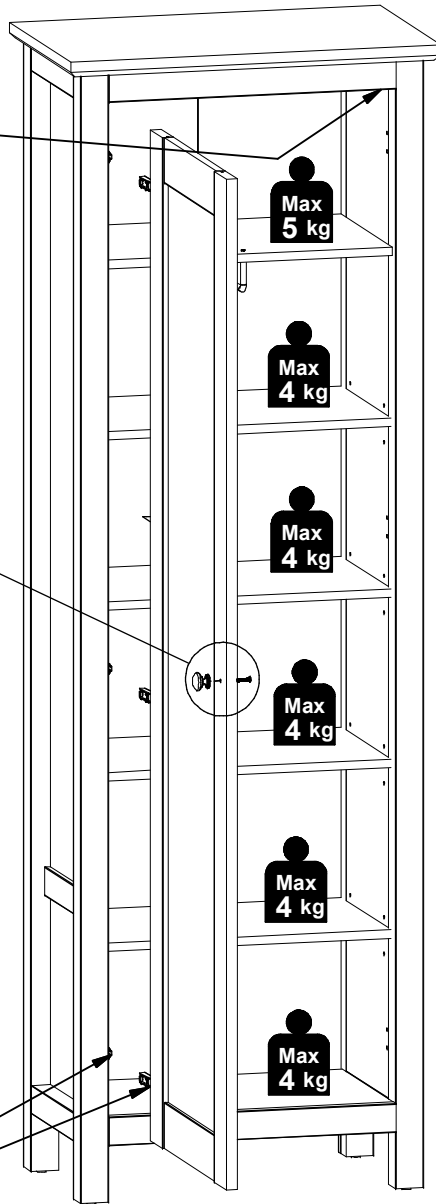
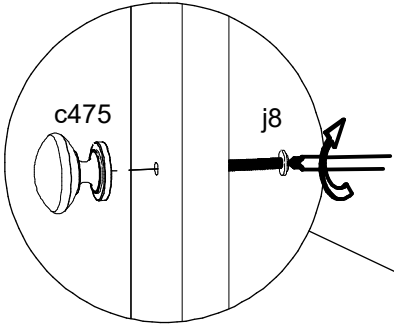
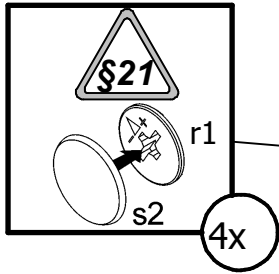
6



3x



3x



3x

7

