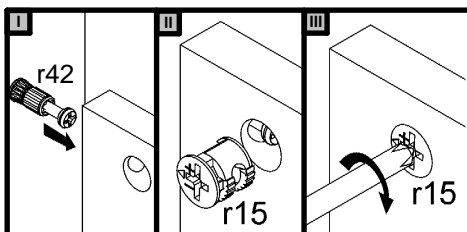
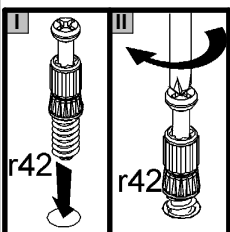
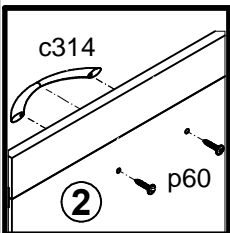
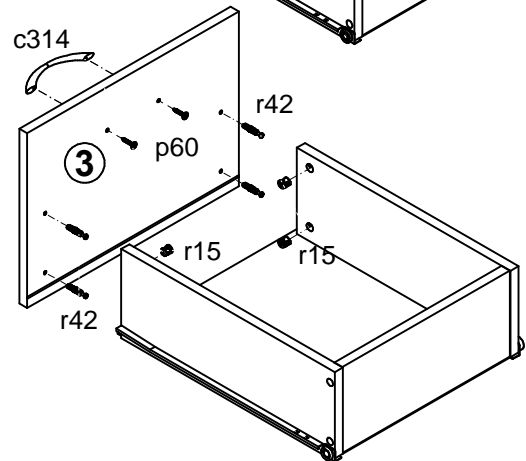
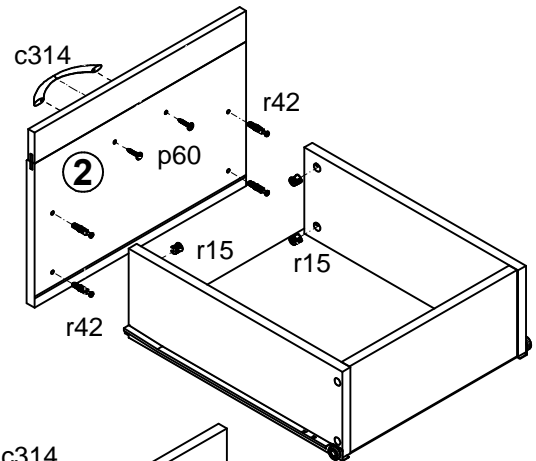
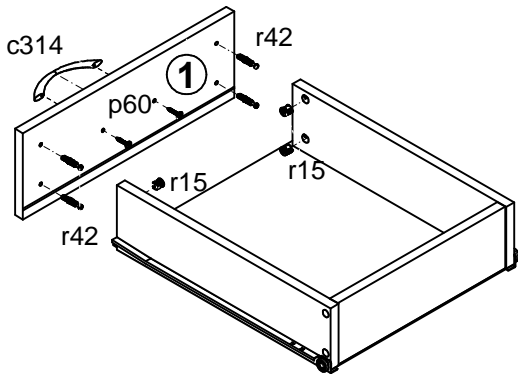
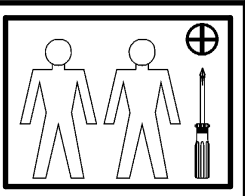
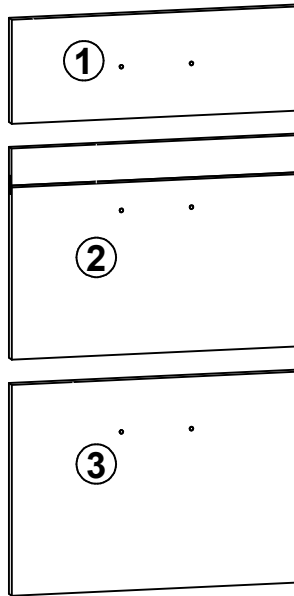
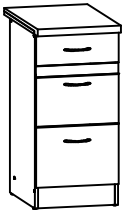


Junona Line

K22-D3S/40/82

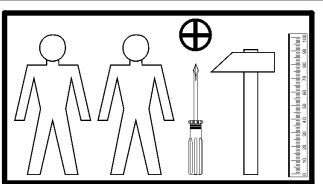
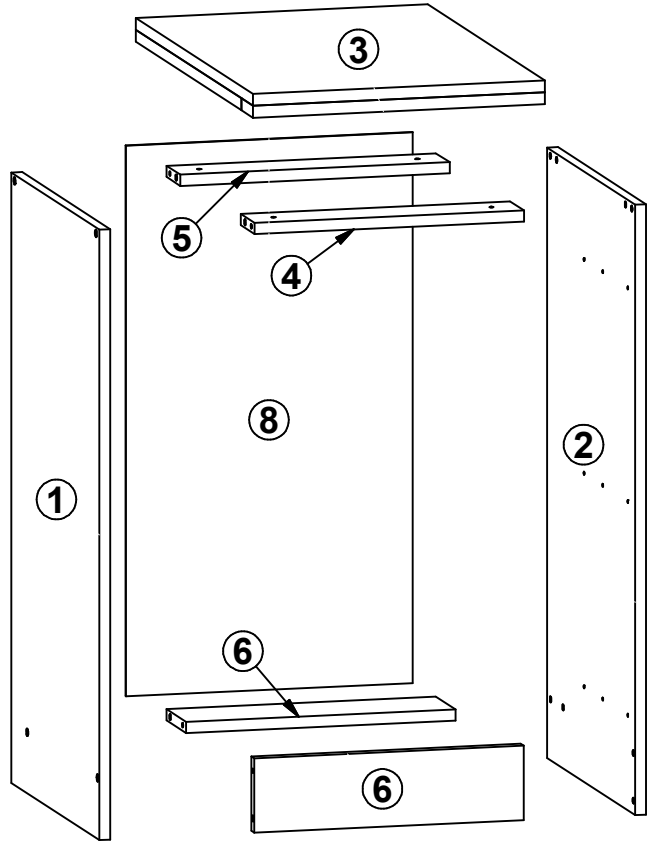
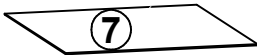
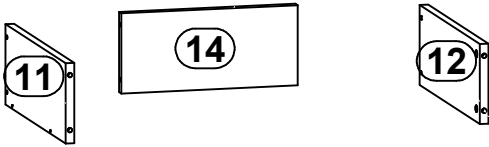
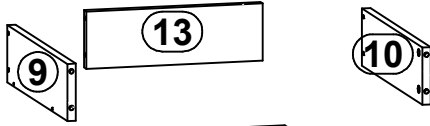
A	B	C	D
1	K22-032	396	140
2	K22-033	396	284
3	K22-034	396	284



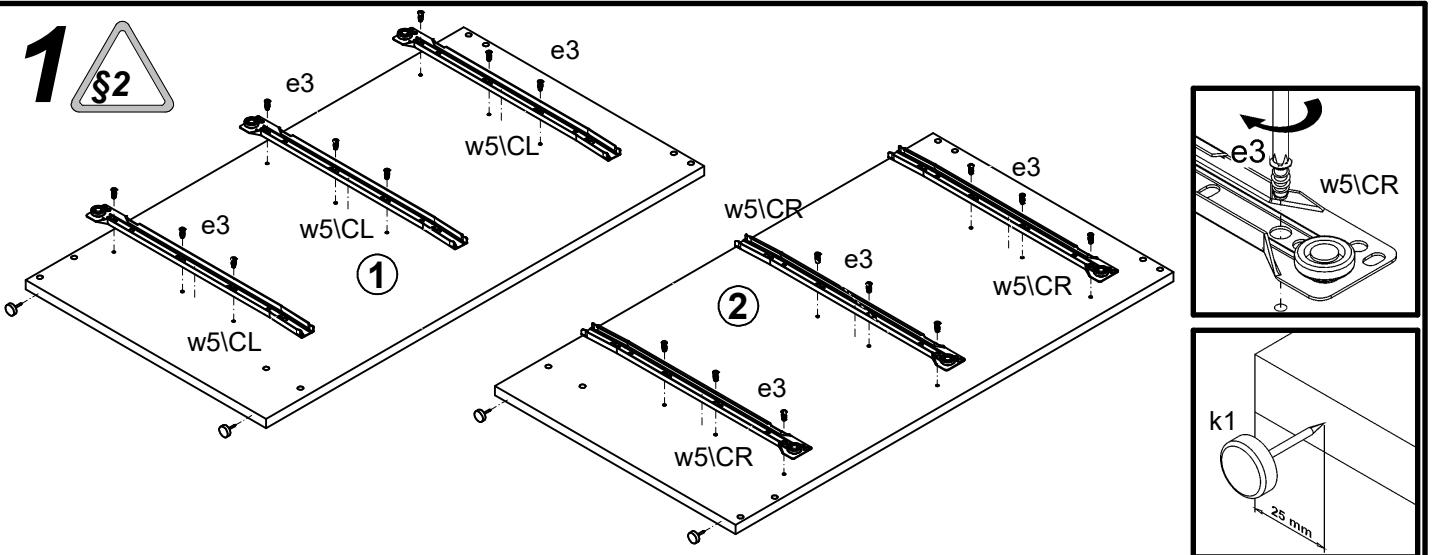
Junona Line

K22-D3S/40/82

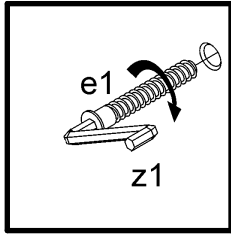
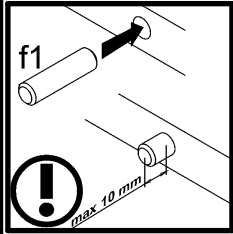
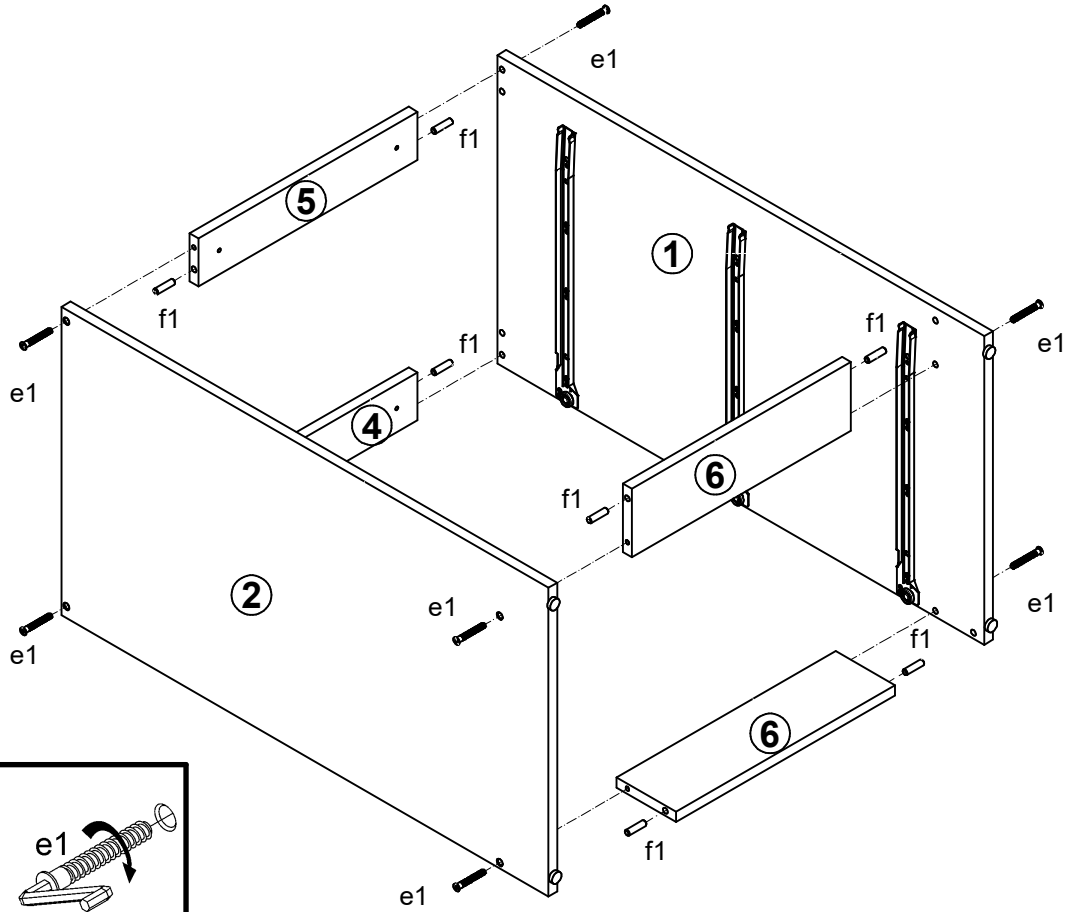
A	B	C		D	A	B	C		D
1	K22-121	820	450	1/3	10	K24-502	400	100	1/3
2	K22-122	820	450	1/3	11	K24-503	400	140	1/3
3	K22-203	400,	600,	2/3	12	K24-504	400	140	1/3
4	K22-411	369,	70,	1/3	13	ZS3-5527	314	100	1/3
5	K22-412	369,	70,	1/3	14	ZS3-5532	314	140	1/3
6	K22-421	369	100	1/3					
7	K22-922	406,	342,	1/3					
8	K22-923	740	393	1/3					
9	K24-501	400	100	1/3					



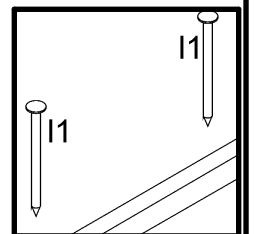
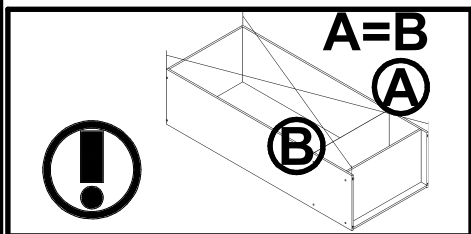
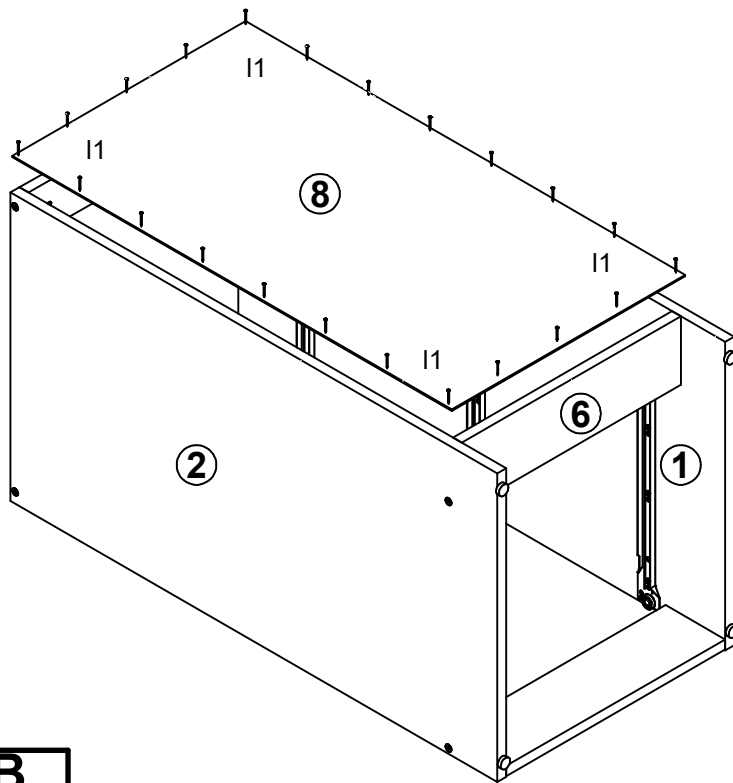
3x c314	8x Ø7x50 mm e1	12x Ø5x9 mm e19	18x Ø6x13 mm e3	8x Ø8x30 mm f1	12x Ø6,5x40 mm f25	4x k1	25x l1	4x Ø4x30 mm p21
9x Ø3,5x16 mm p38	6x Ø4x22 mm p60	12x Ø12x10,5 mm #12 r15	12x r42	3x 400 mm w5\CL	3x 400 mm w5\CR	3x 400 mm w5\DL	3x 400 mm w5\DR	1x z1
4x s1								



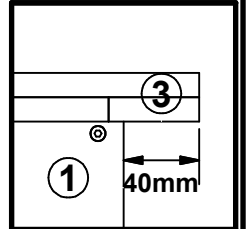
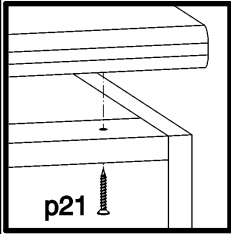
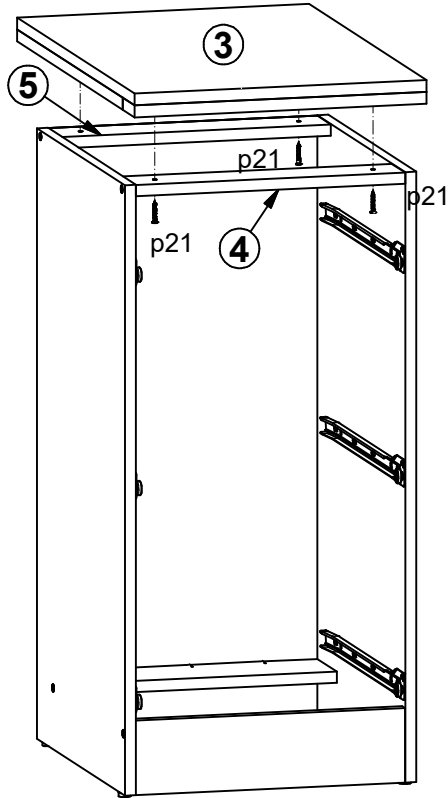
2



3

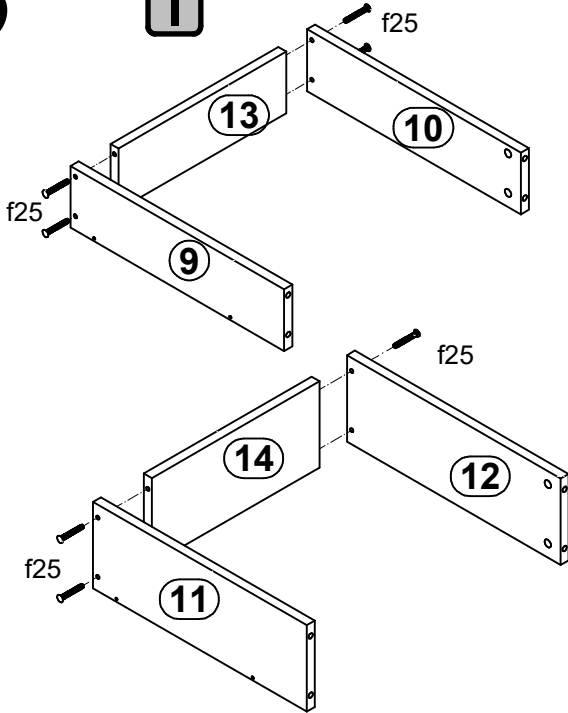


4



5

I



II

