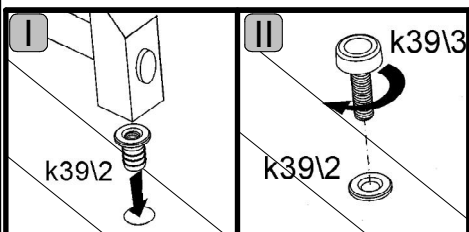
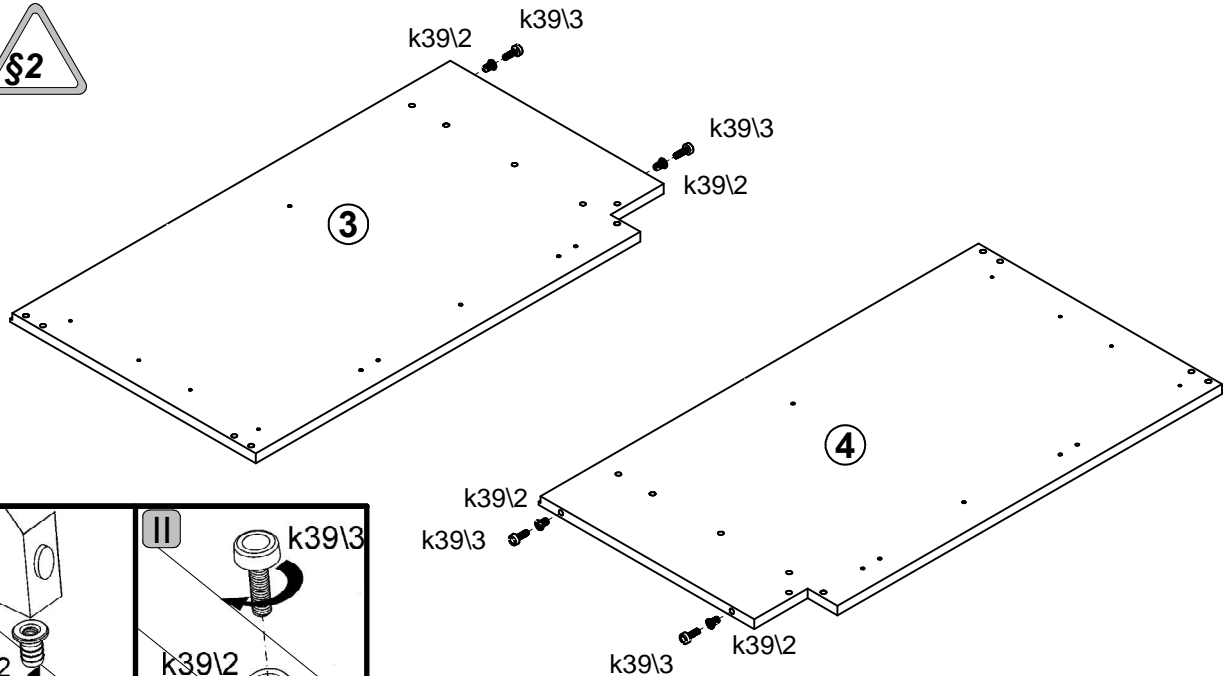
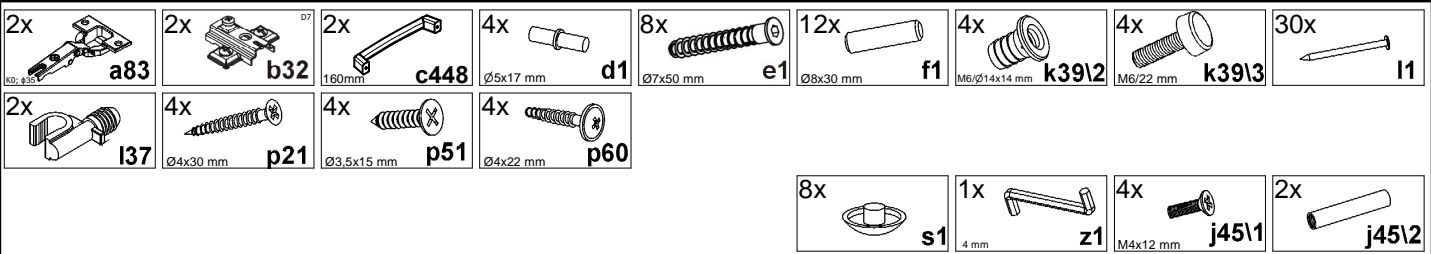
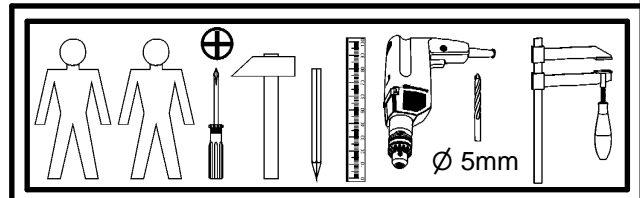
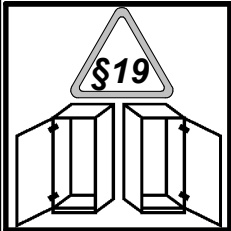
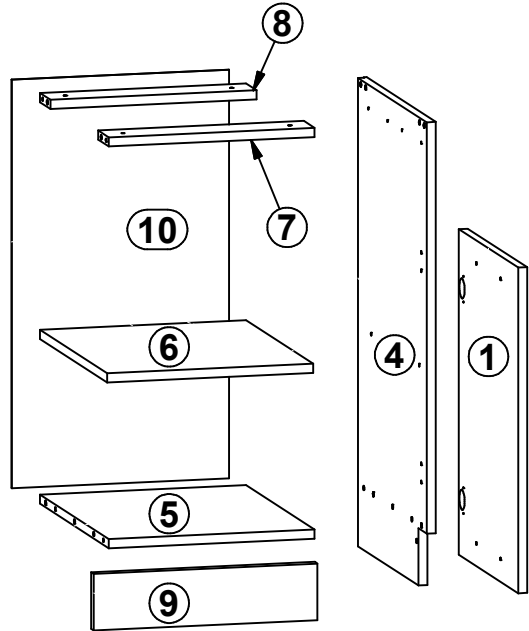
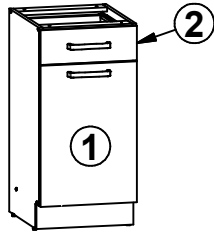
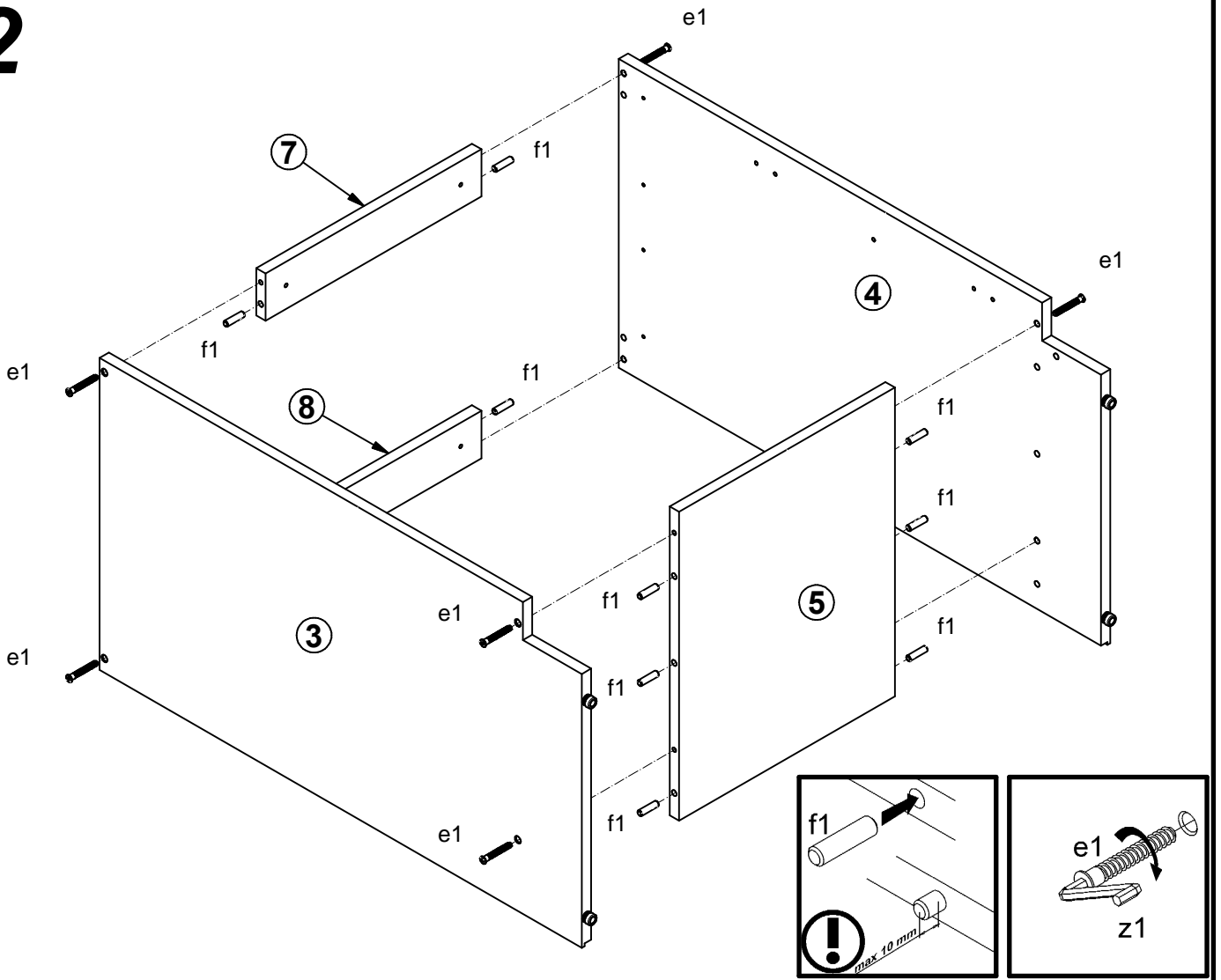


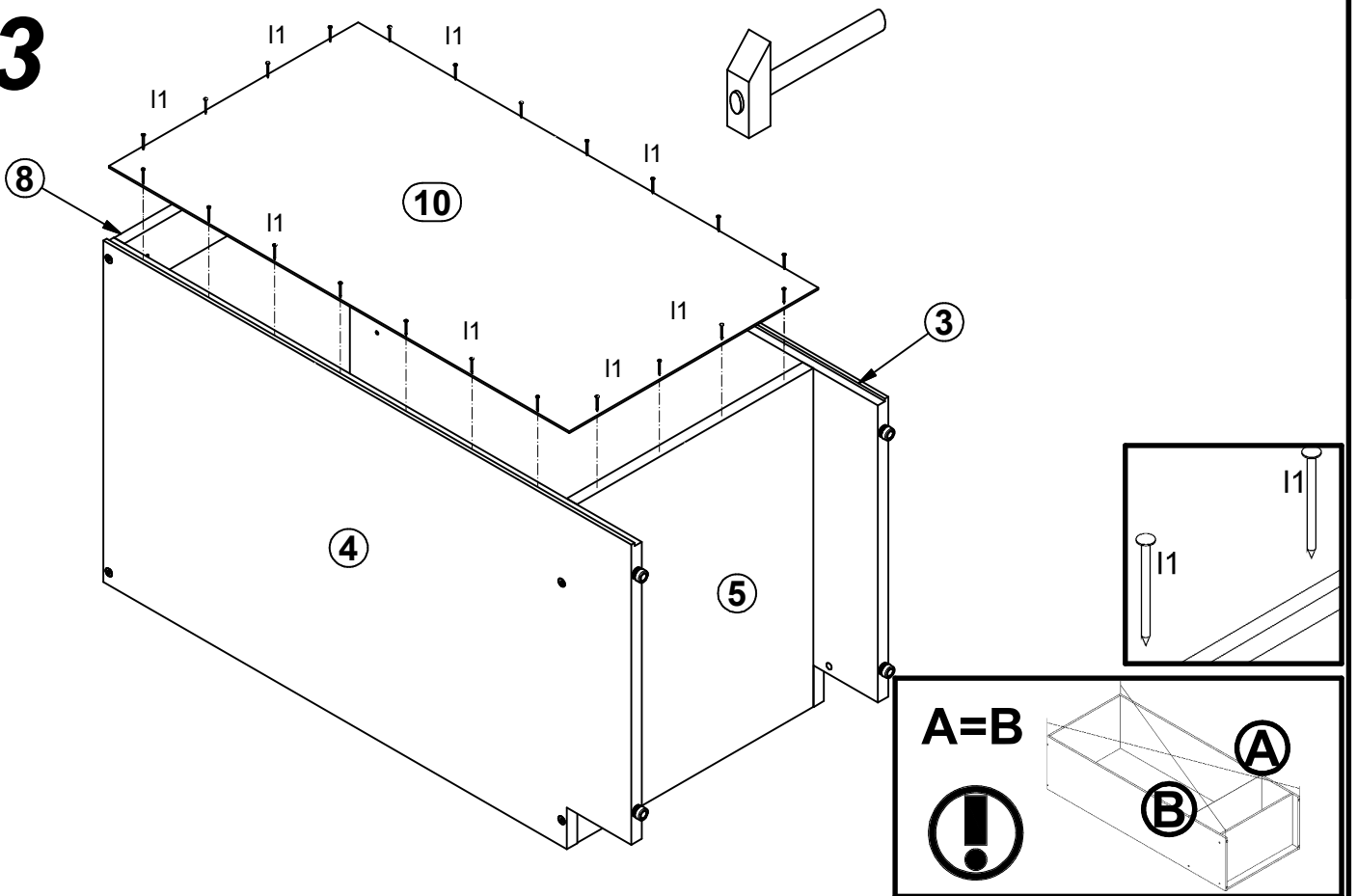
A	B	C	D
1	K30-0002	396	570
2	K30-0003	396	140
3	K30-1007	820	460
4	K30-1008	820	460
5	K30-3015	367	456
6	K30-3016	367	446
7	K30-4005	367	70
8	K30-4006	367	70
9	K30-4007	399	99
10	K30-9007	715	387



2

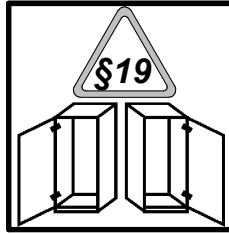


3

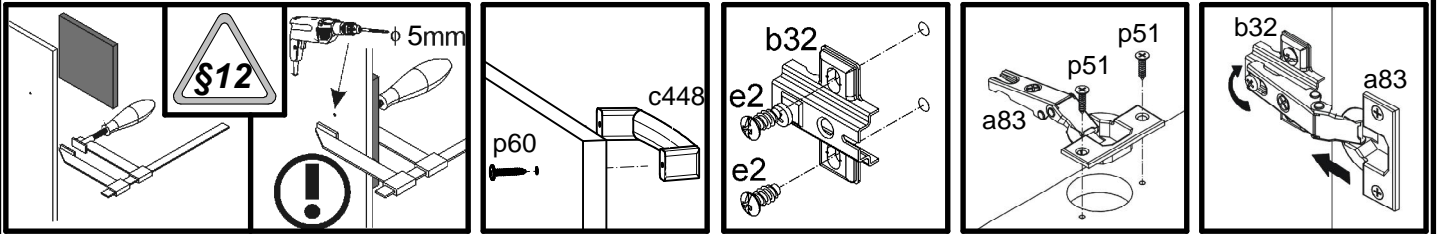
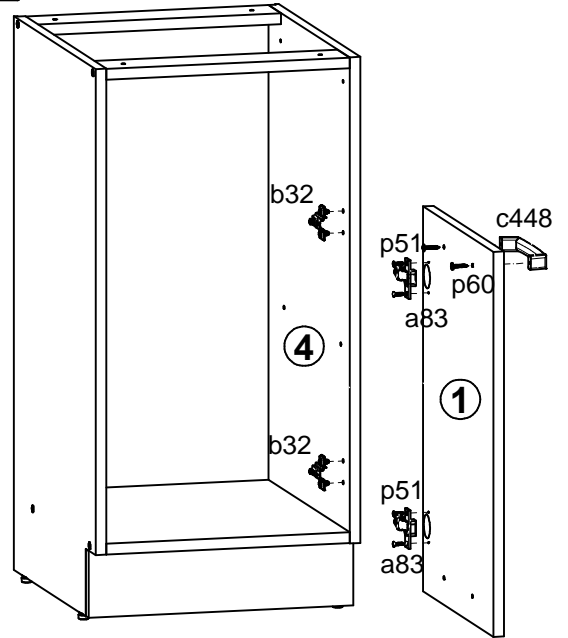
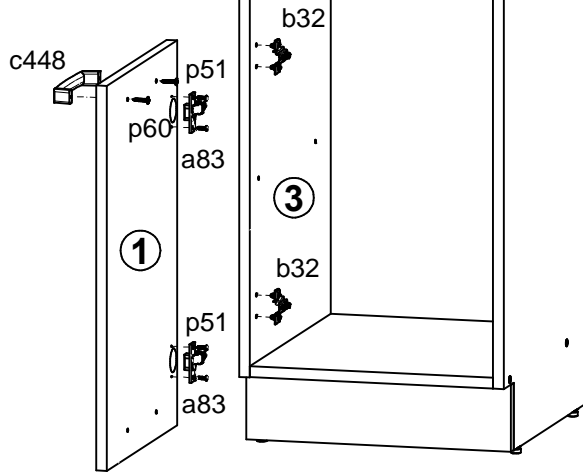


4

L

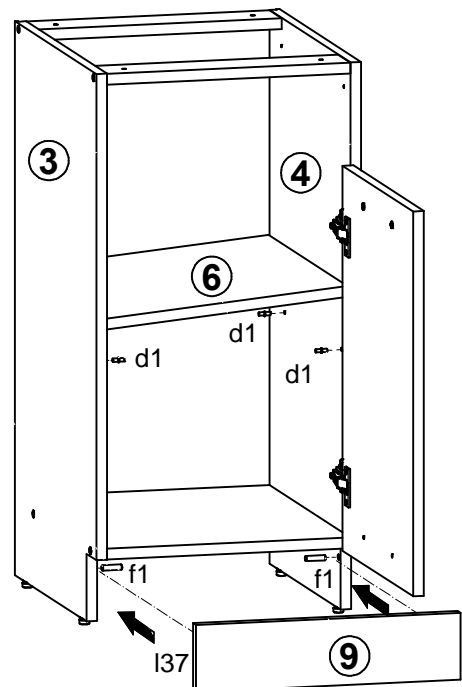
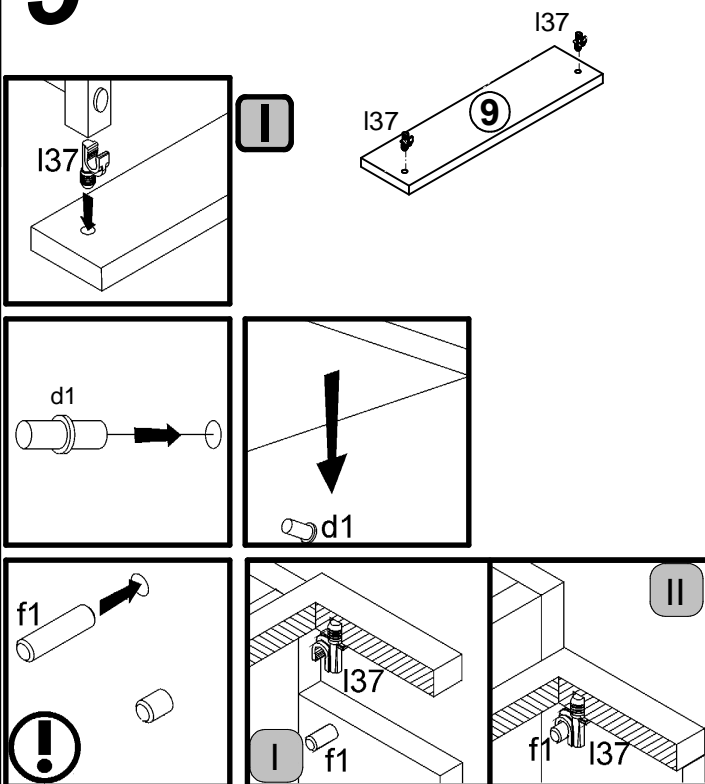


R



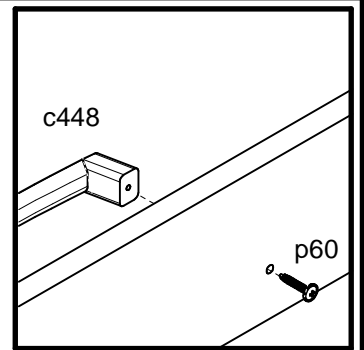
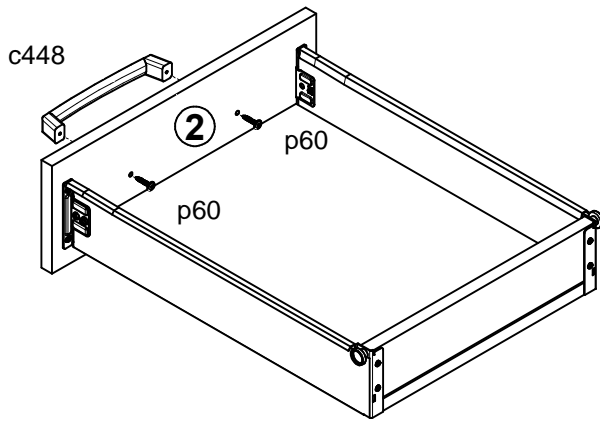
5

II

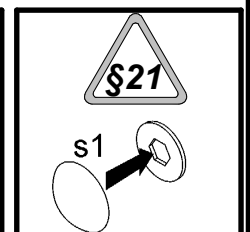
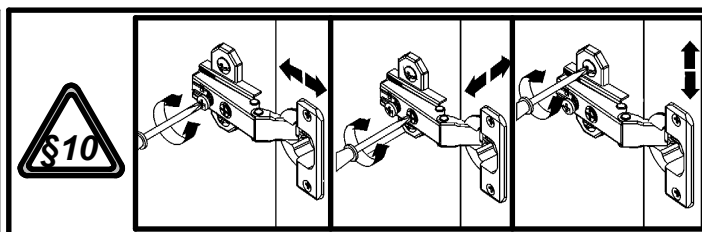
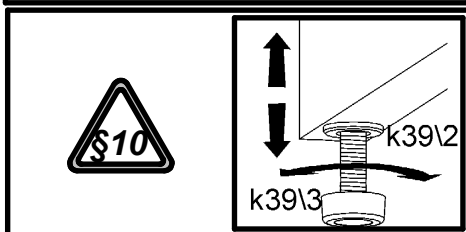
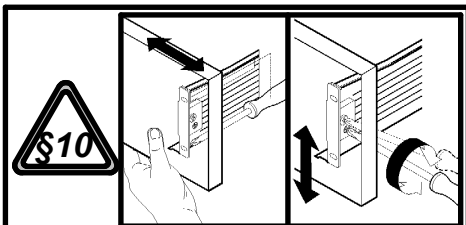
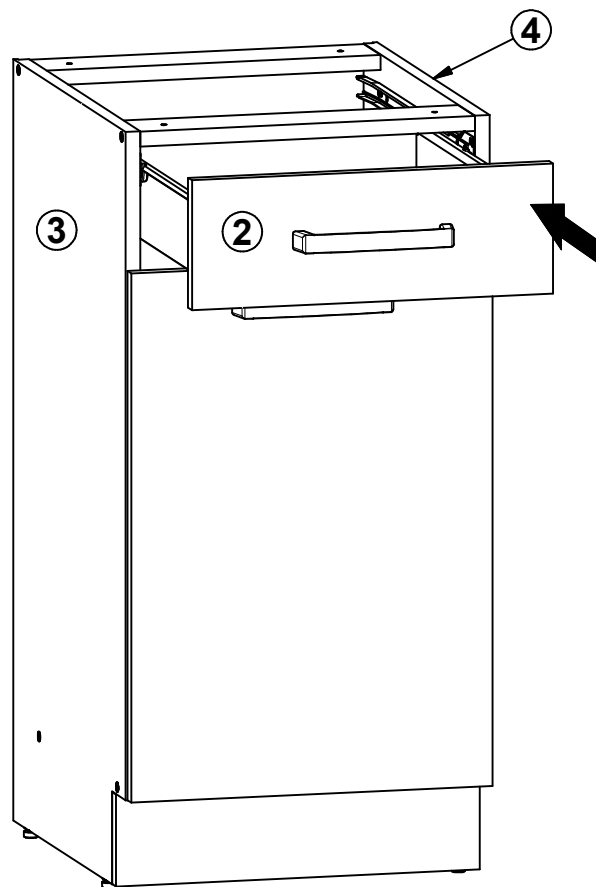


6

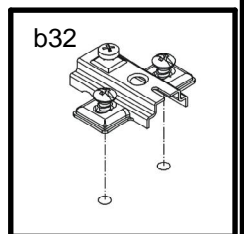
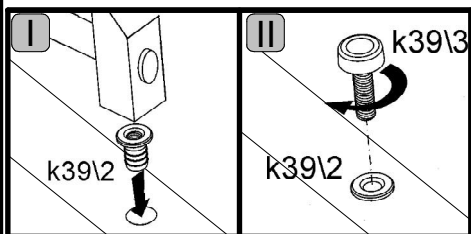
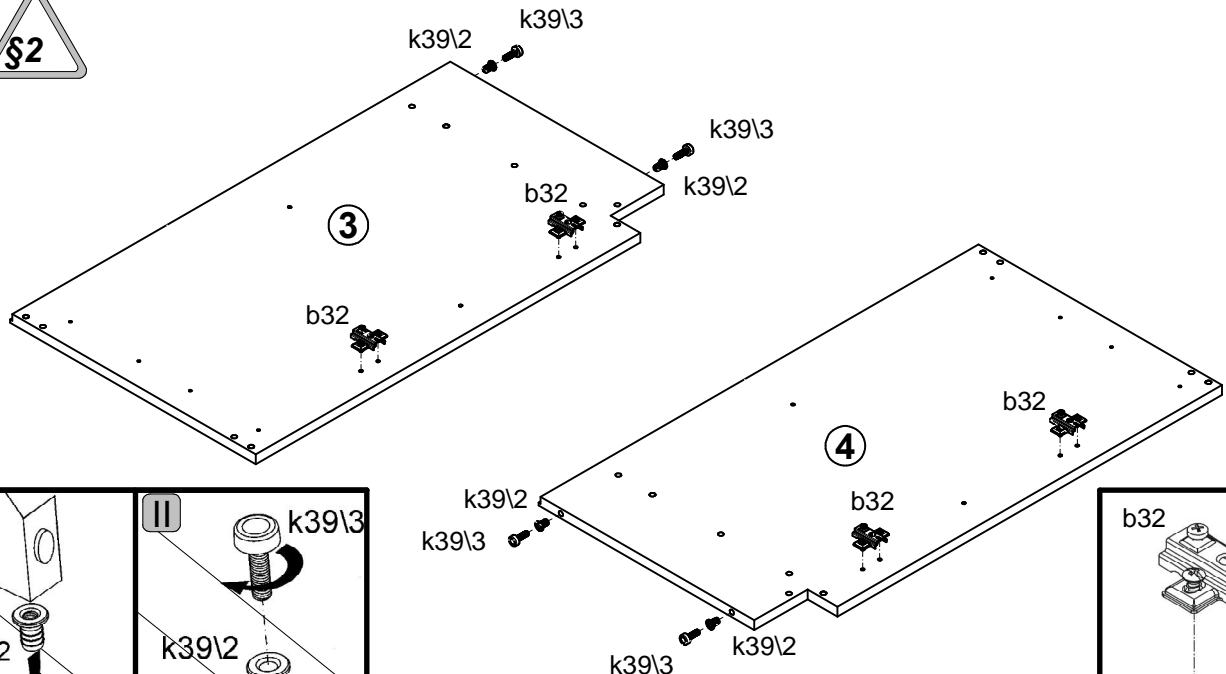
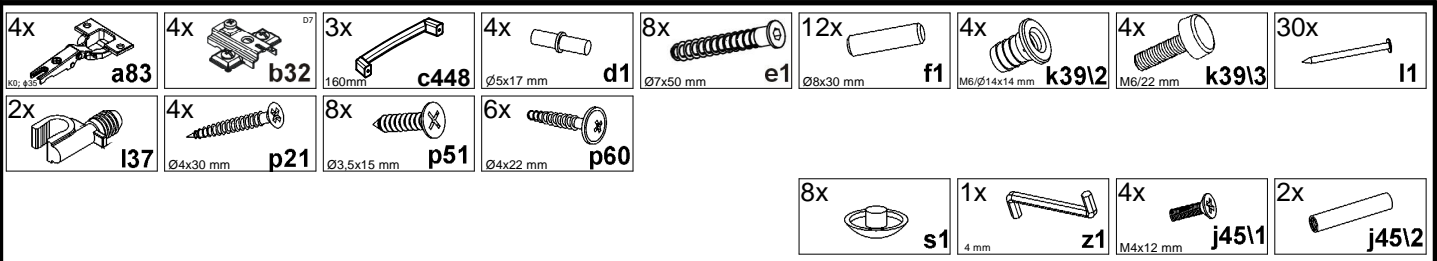
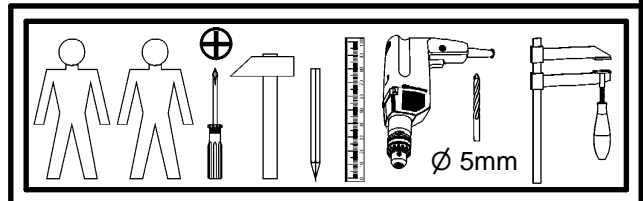
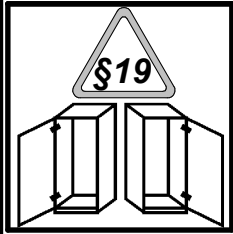
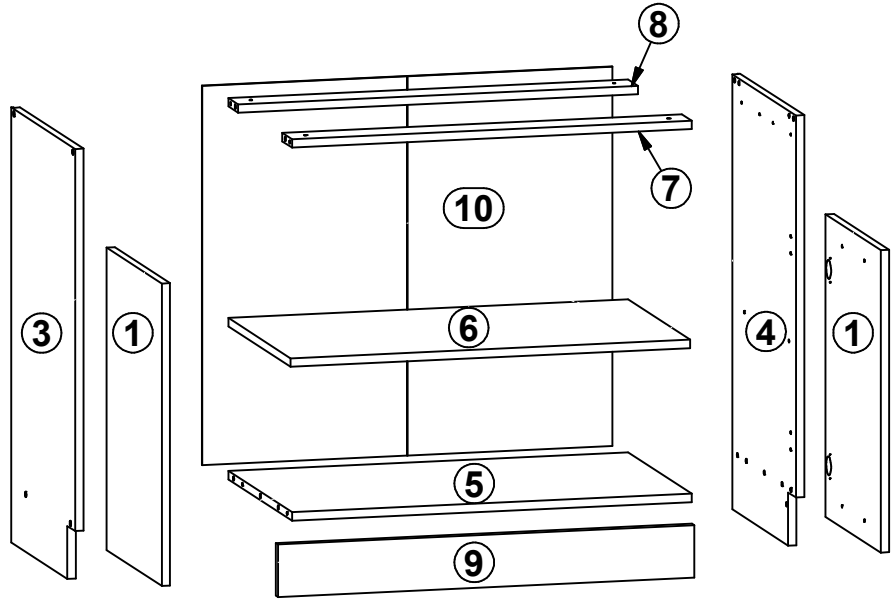
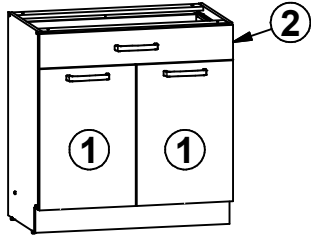
I



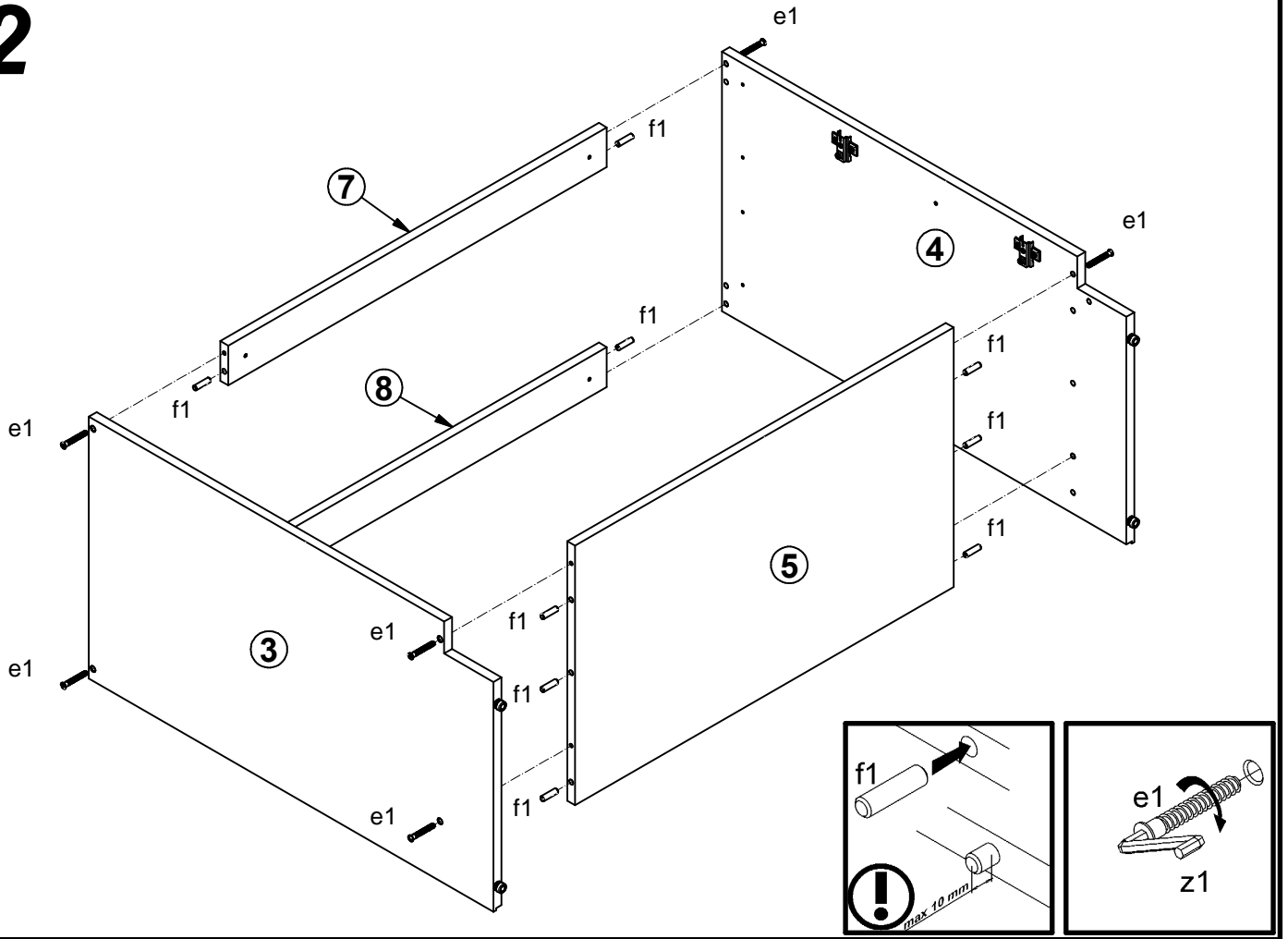
III



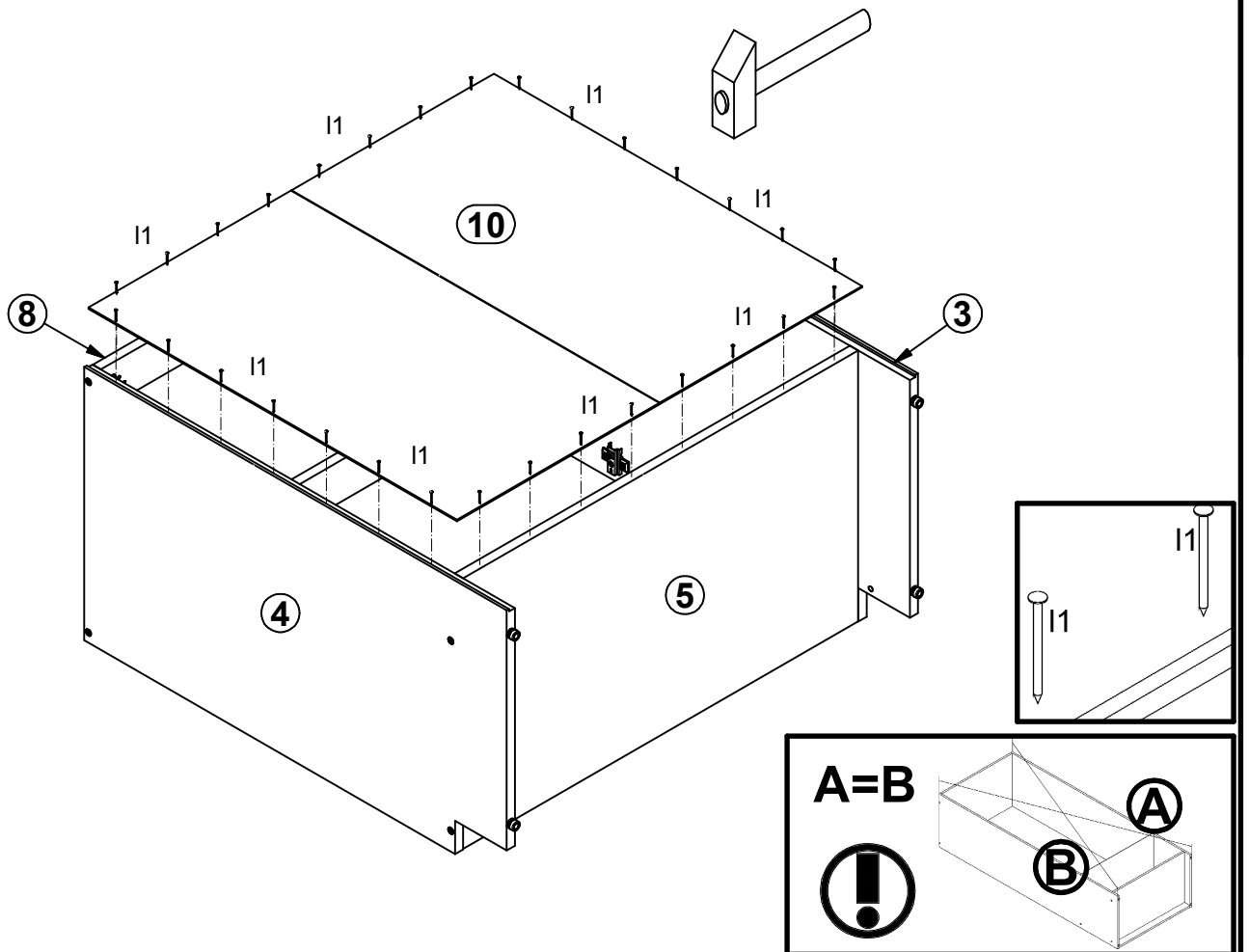
A	B	C	D
1	K30-0002	396	570
2	K30-0018	796	140
3	K30-1007	820	460
4	K30-1008	820	460
5	K30-3019	767	456
6	K30-3020	767	446
7	K30-4008	767	70
8	K30-4009	767	70
9	K30-4010	799	99
10	K30-9008	715	787



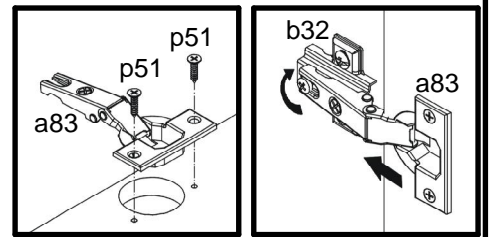
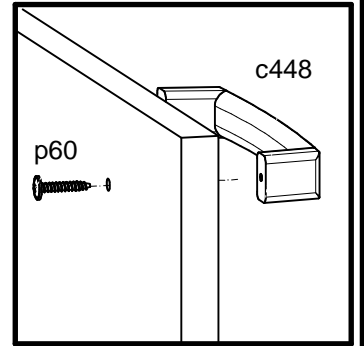
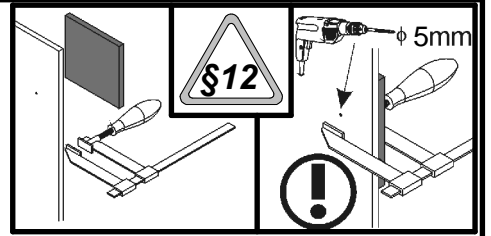
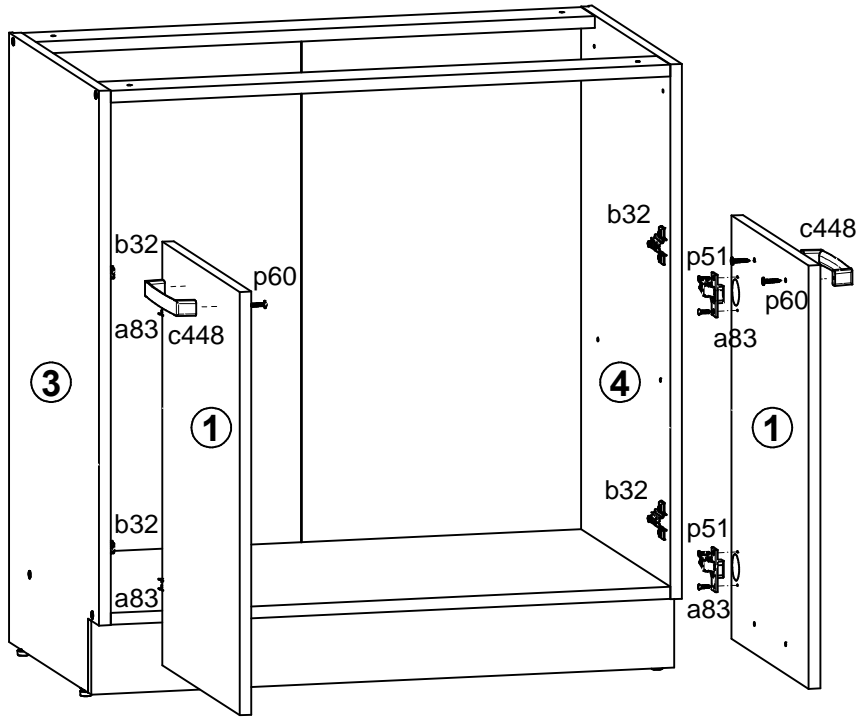
2



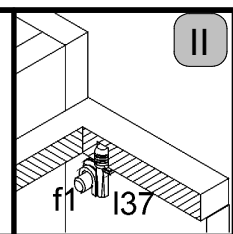
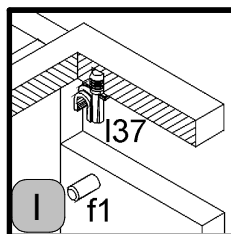
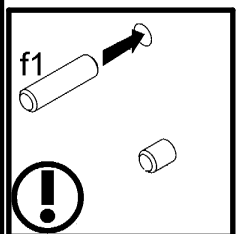
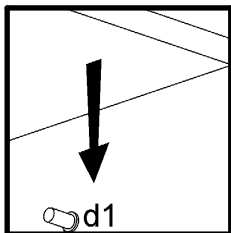
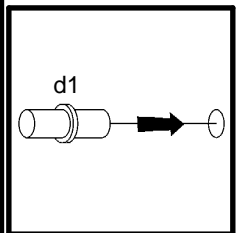
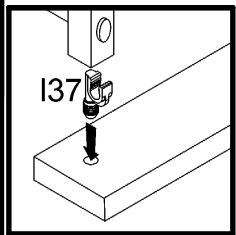
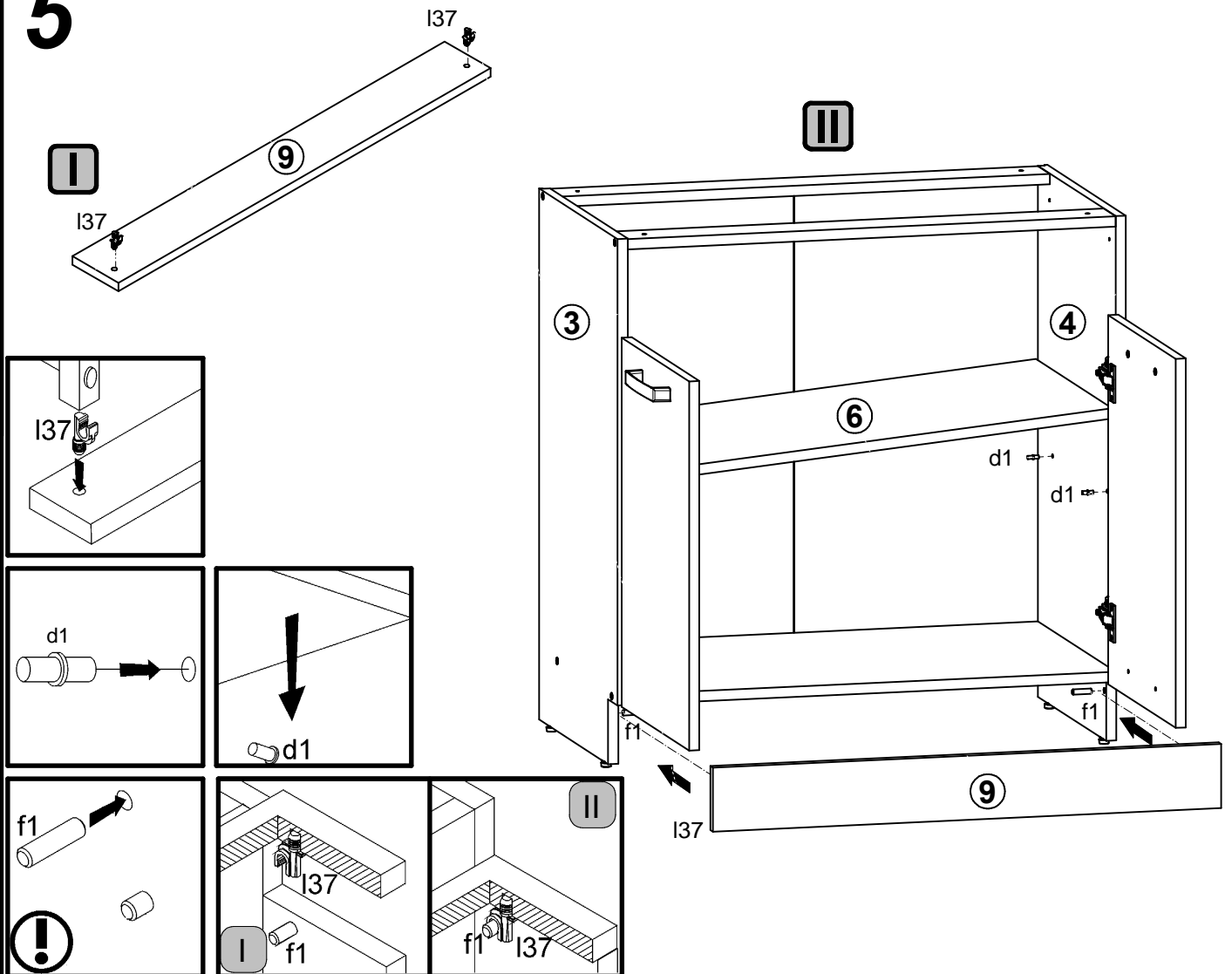
3



4

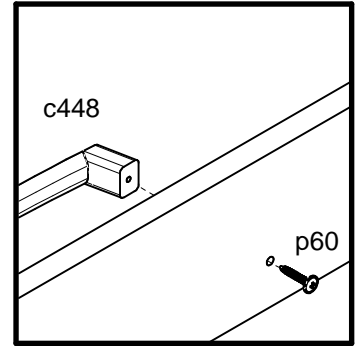
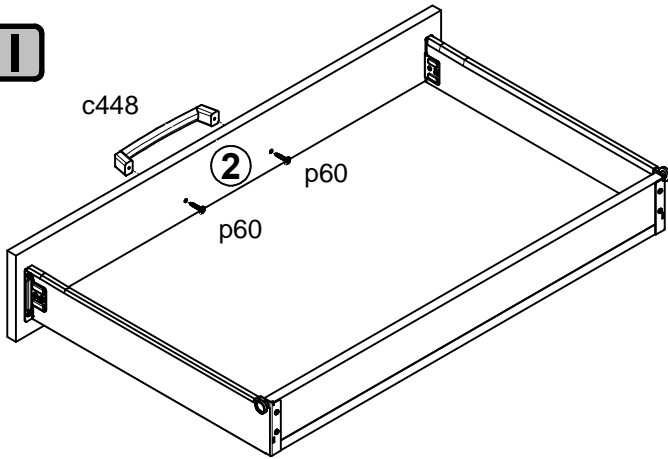


5

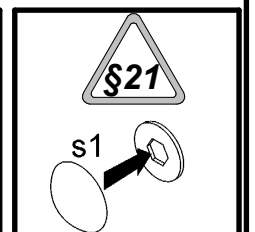
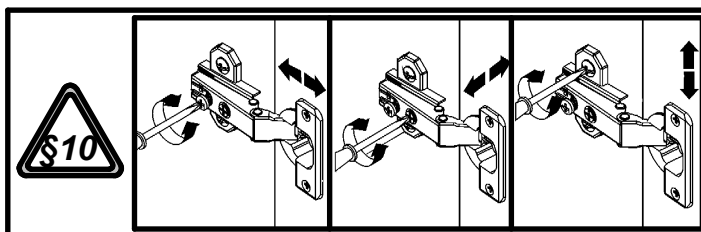
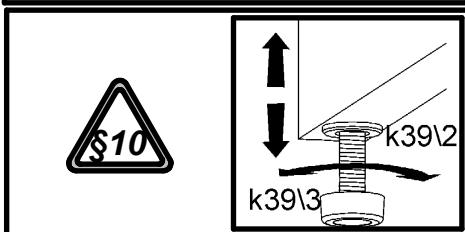
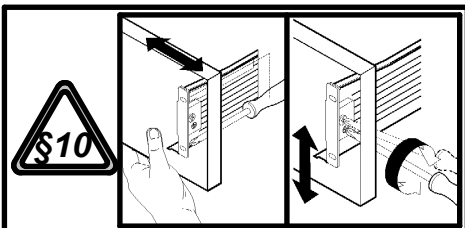
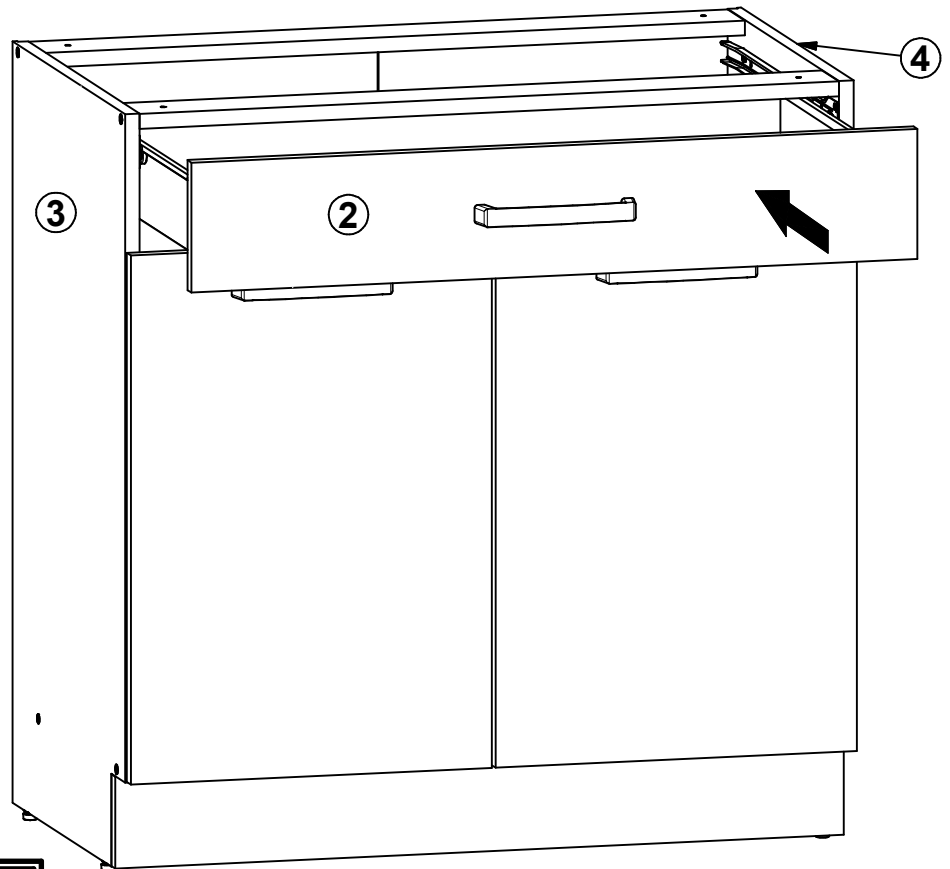


6

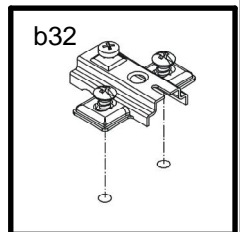
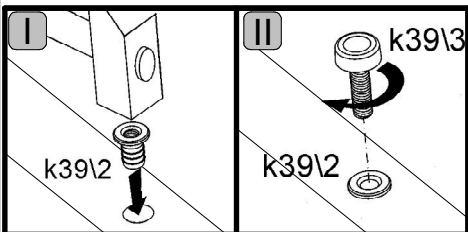
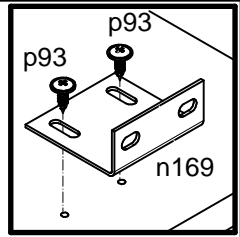
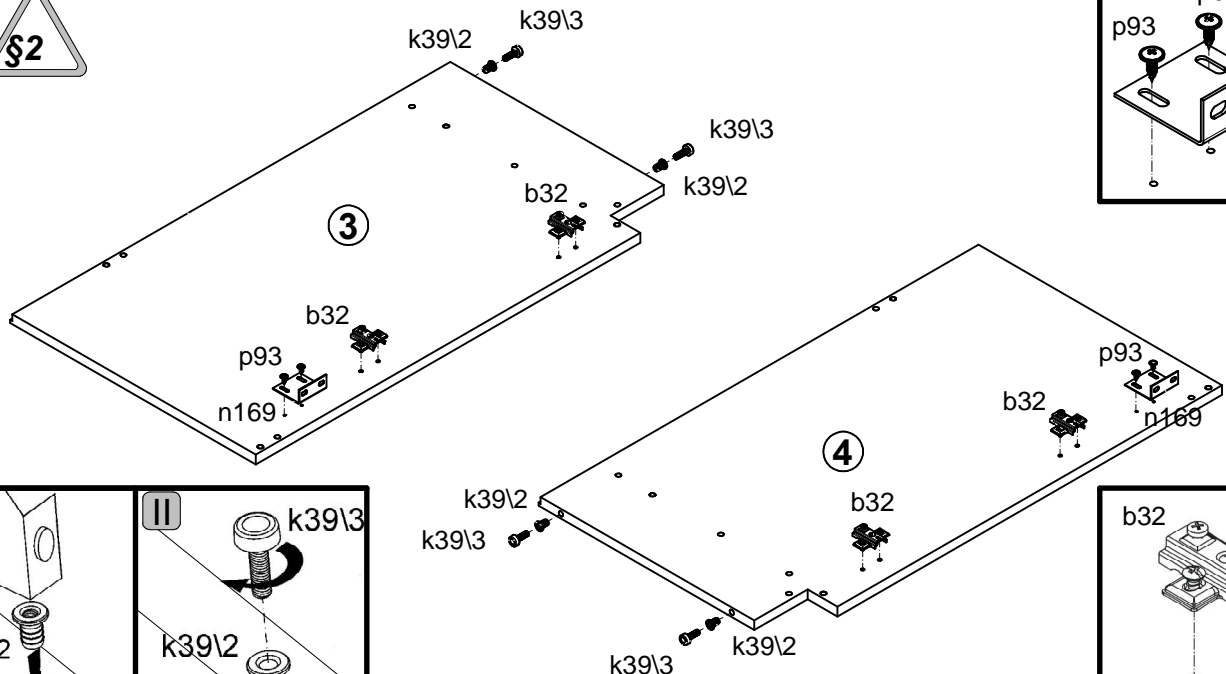
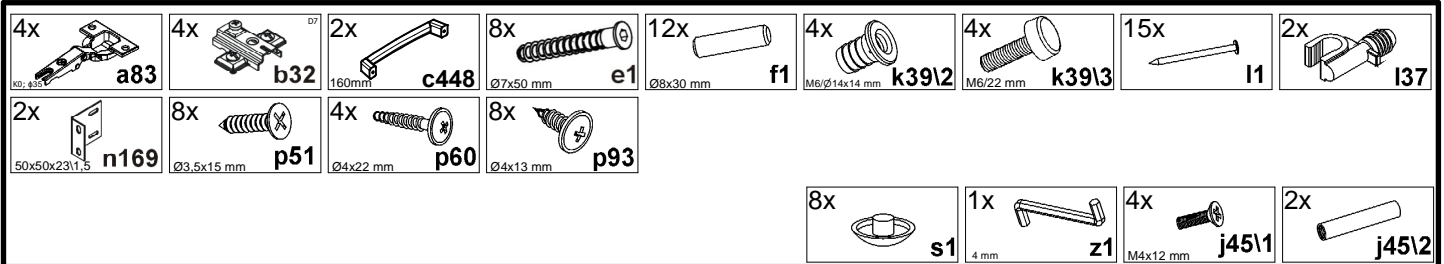
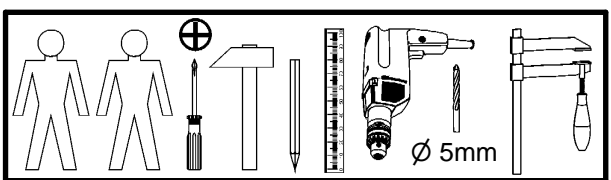
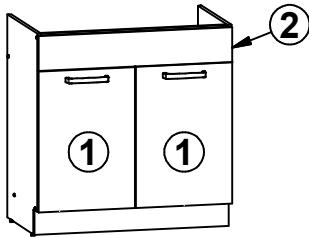
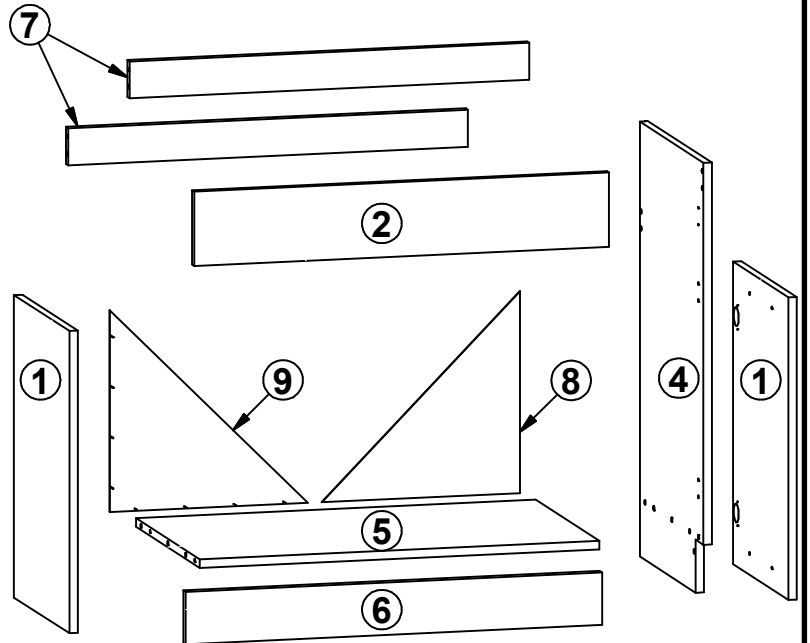
I



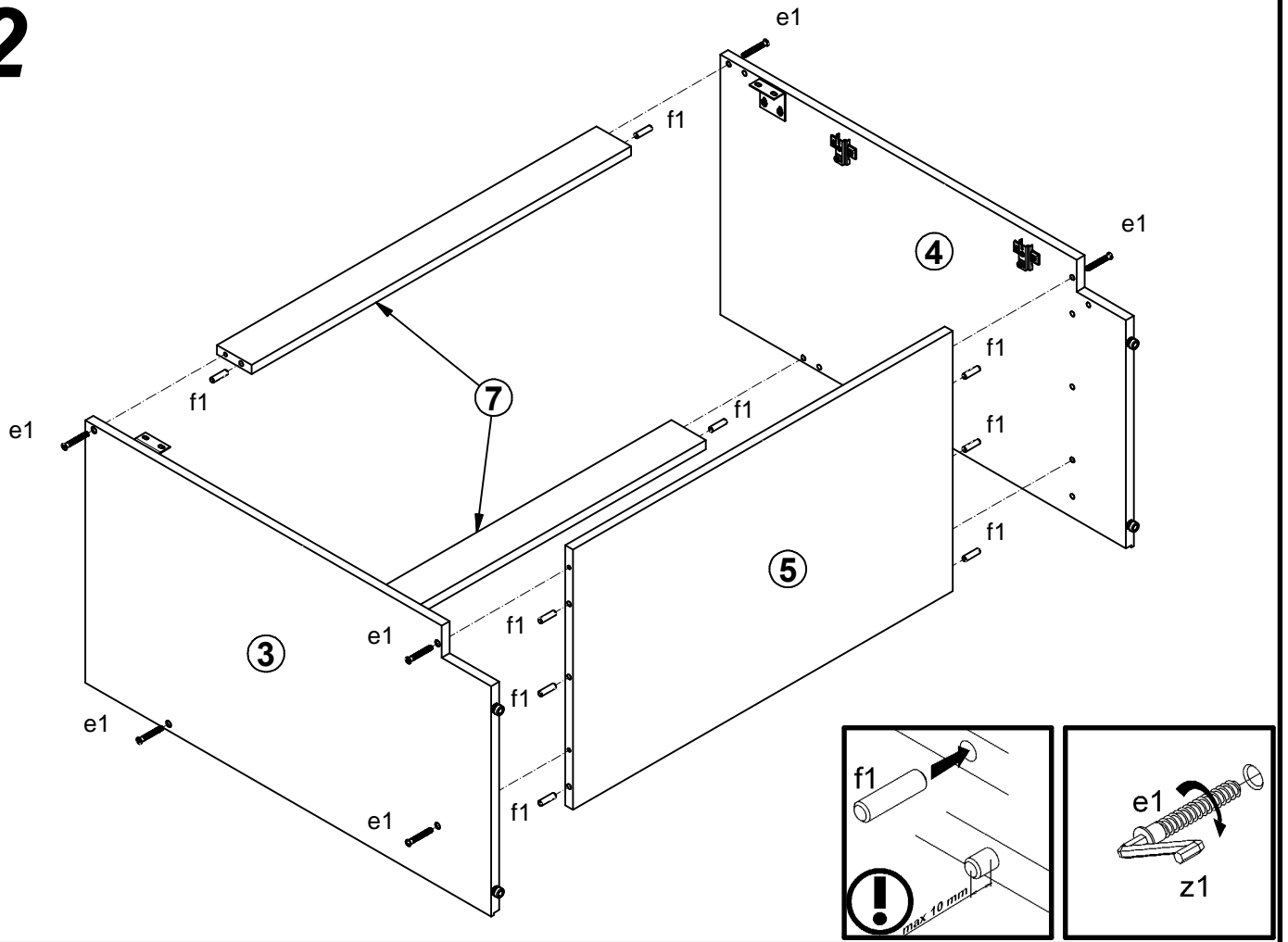
II



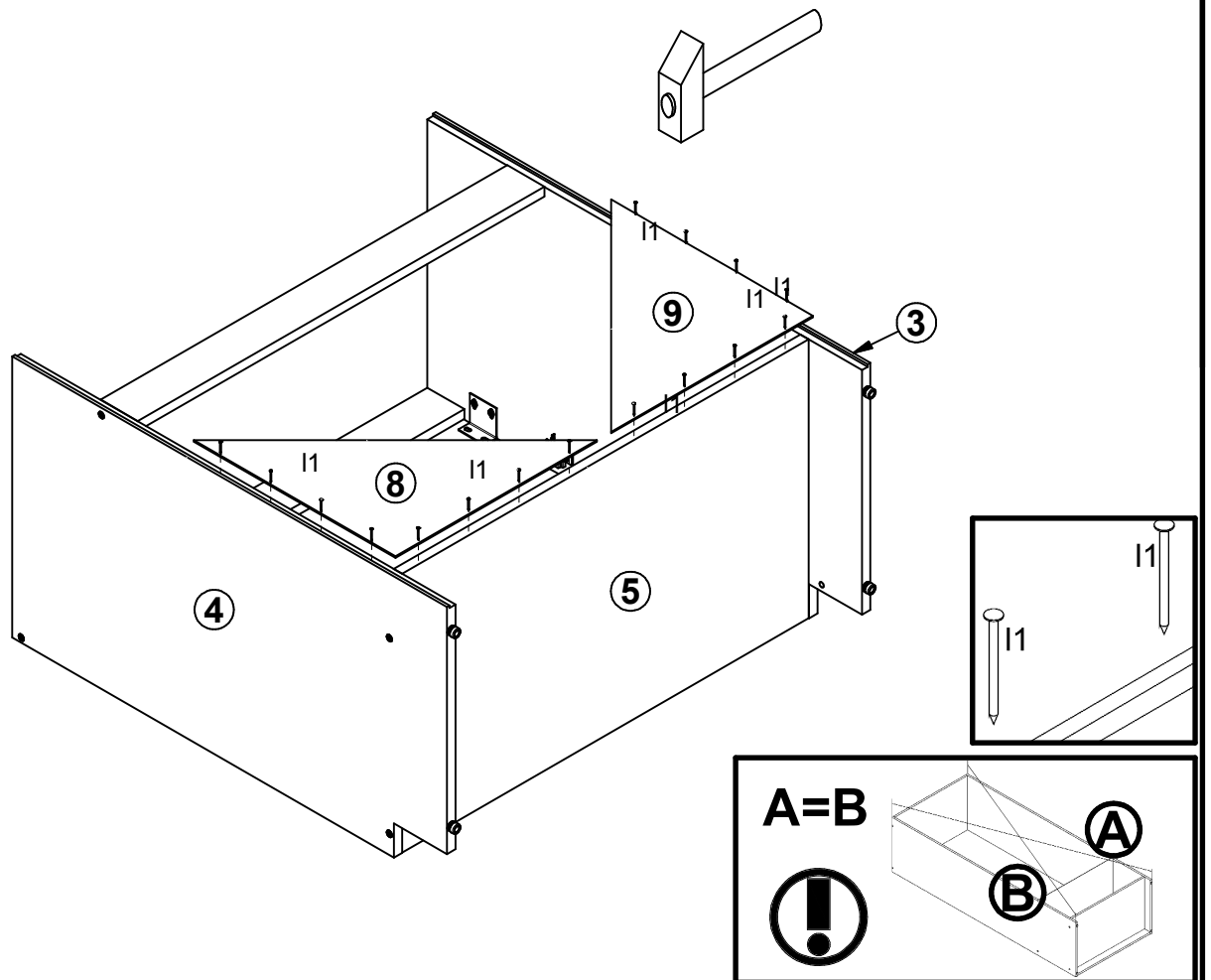
A	B	C	D	
1	K30-0002	396	570	2/3
2	K30-0005	796	140	3/3
3	K30-1011	820	460	1/3
4	K30-1012	820	460	1/3
5	K30-3019	767	456	1/3
6	K30-4010	799	99	1/3
7	K30-4012	767	70	1/3
8	K30-9010	380	380	1/3
9	K30-9017	380	380	1/3



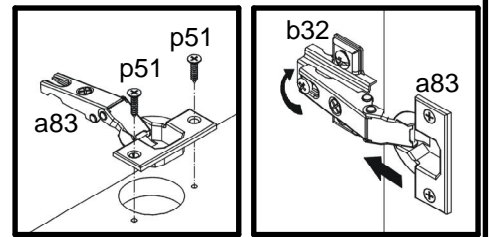
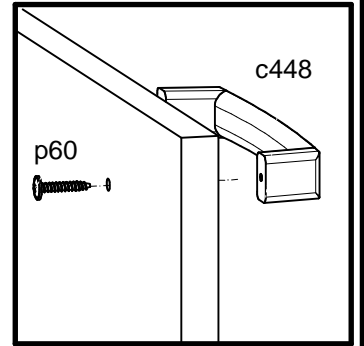
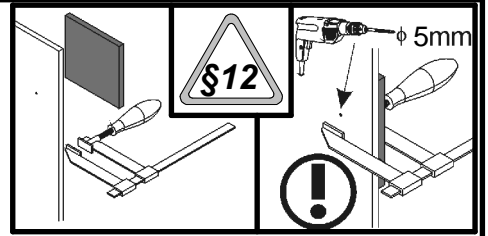
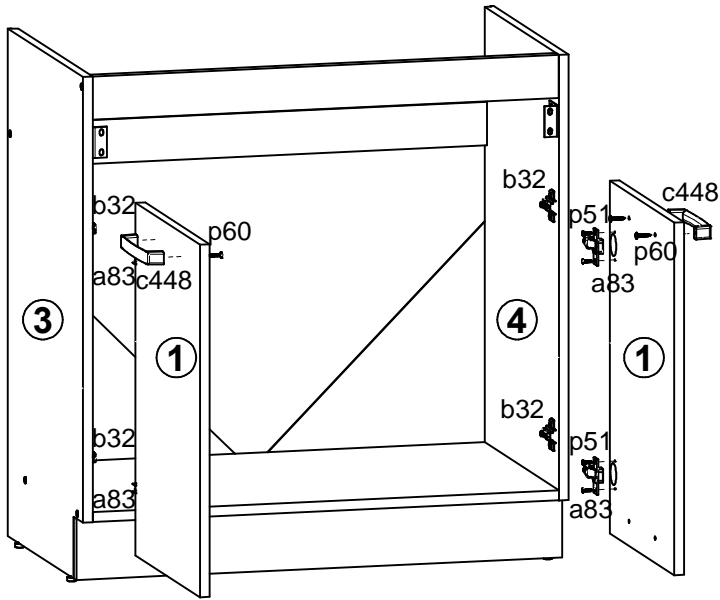
2



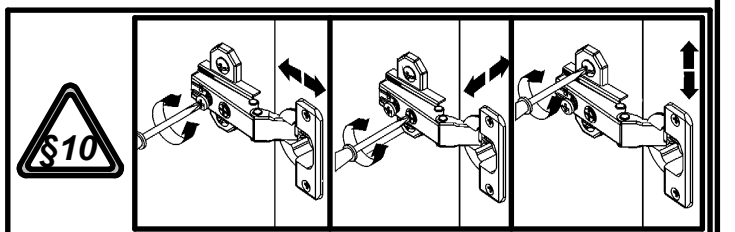
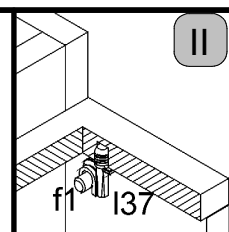
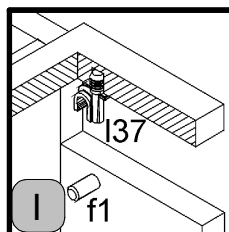
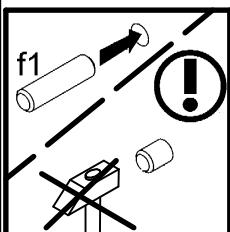
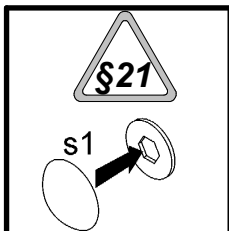
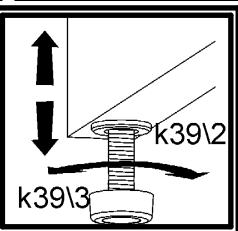
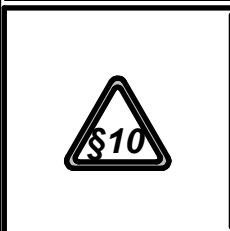
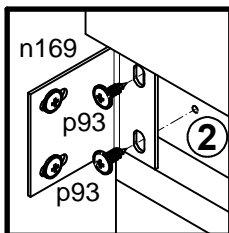
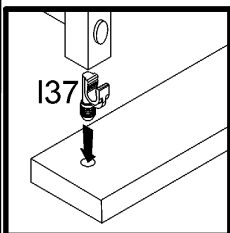
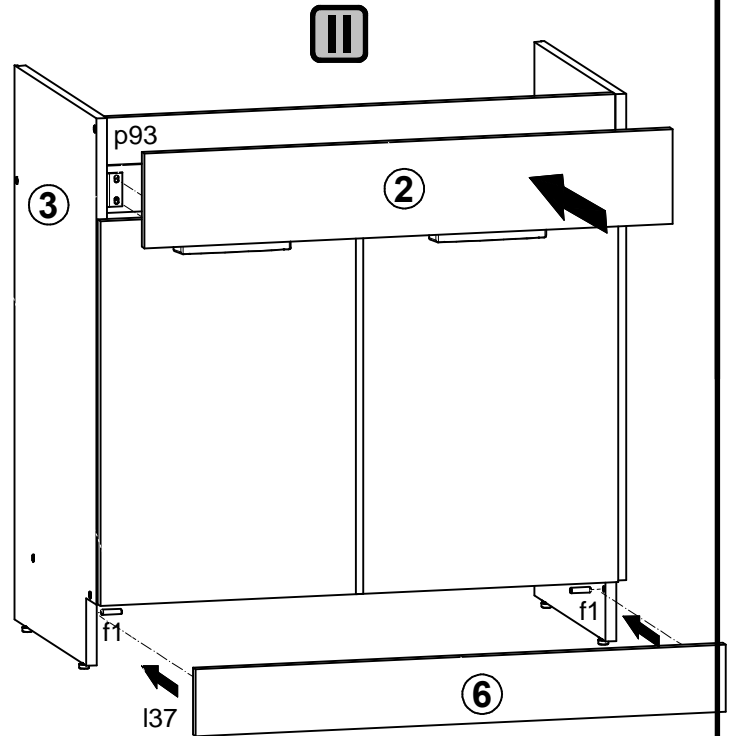
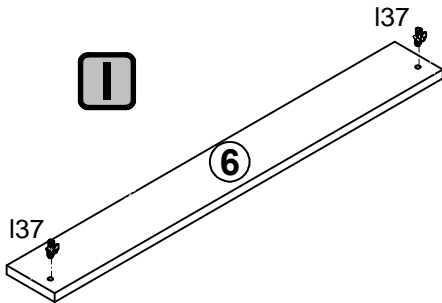
3



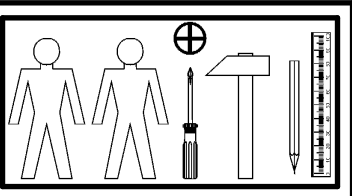
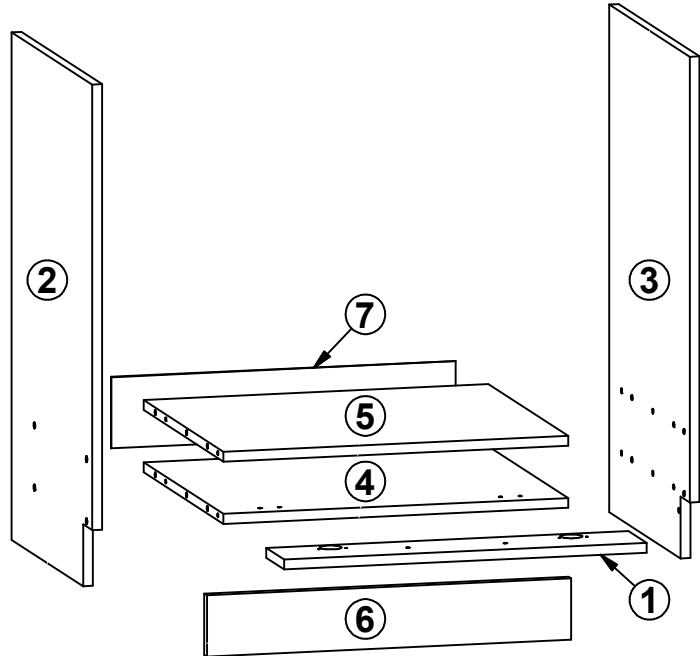
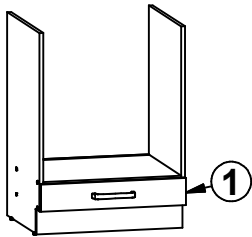
4



5

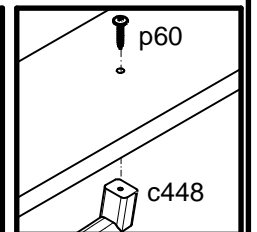
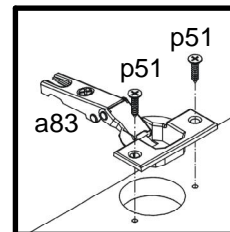
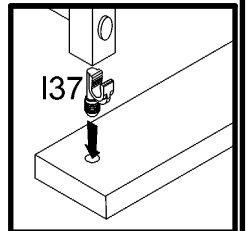
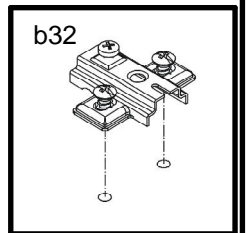
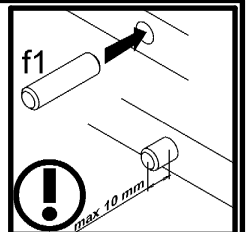
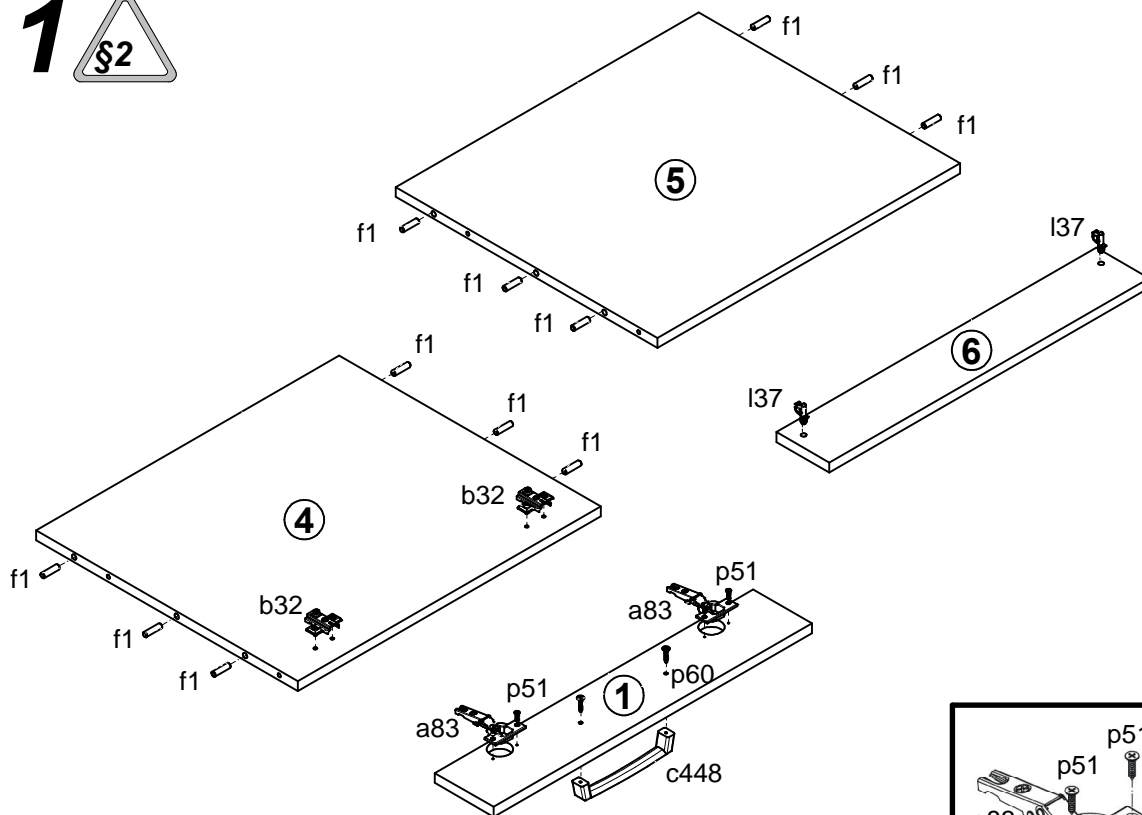


A	B	C	D
1	K30-0004	596	110
2	K30-1009	820	495
3	K30-1010	820	495
4	K30-3023	567	490
5	K30-3031	567	490
6	K30-4002	599	99
7	K30-9009	115	566

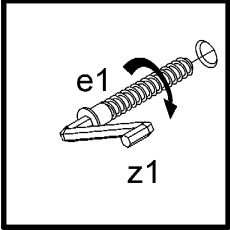
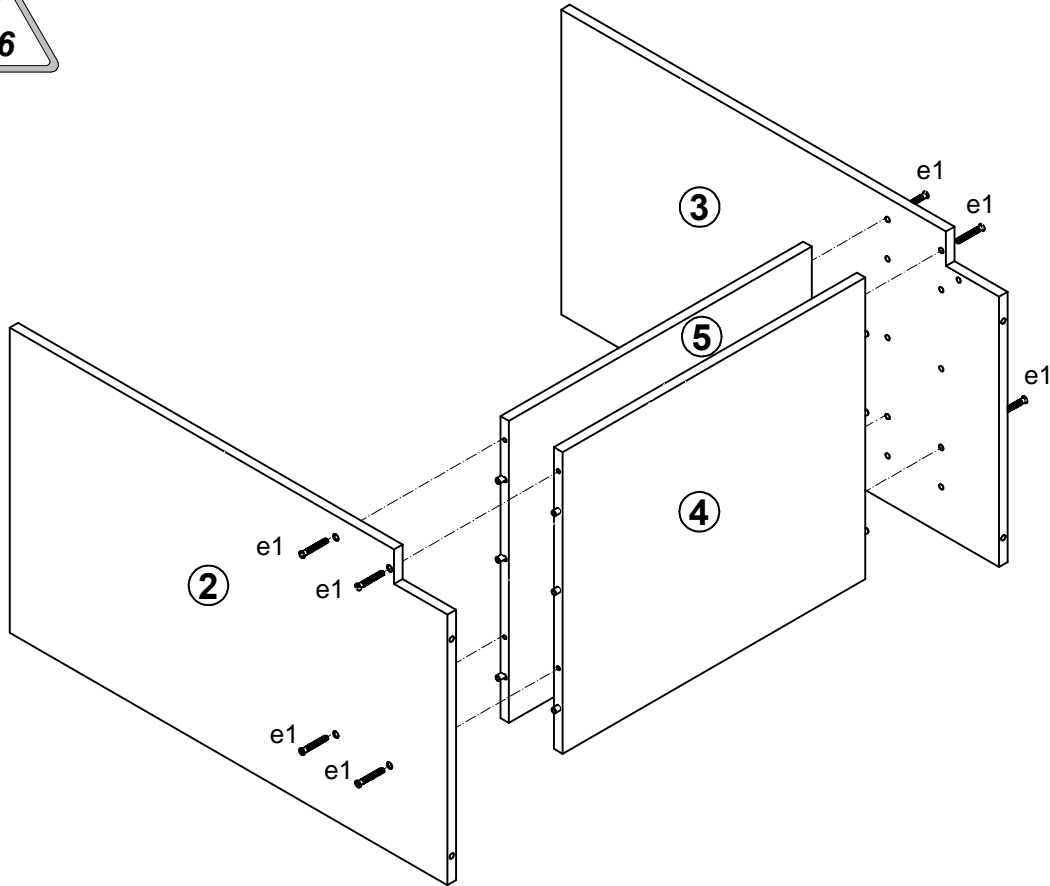


2x K30-832 a83	2x b32	1x 160mm c448	8x Ø7x50 mm e1	14x Ø8x30 mm f1	4x M6/Ø14x14 mm k39/2	4x M6/22 mm k39/3	15x l1	2x l37
4x 86x21x15/1.5 n14/2	8x Ø3.5x13 mm p27	4x Ø3.5x16 mm p38	4x Ø3.5x15 mm p51	2x Ø4x22 mm p60	8x s1	1x 4 mm z1	4x M4x12 mm j45/1	2x j45/2

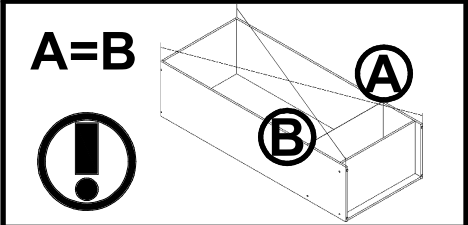
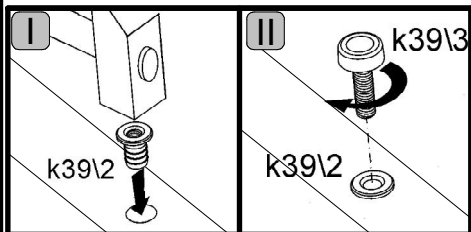
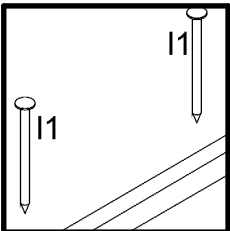
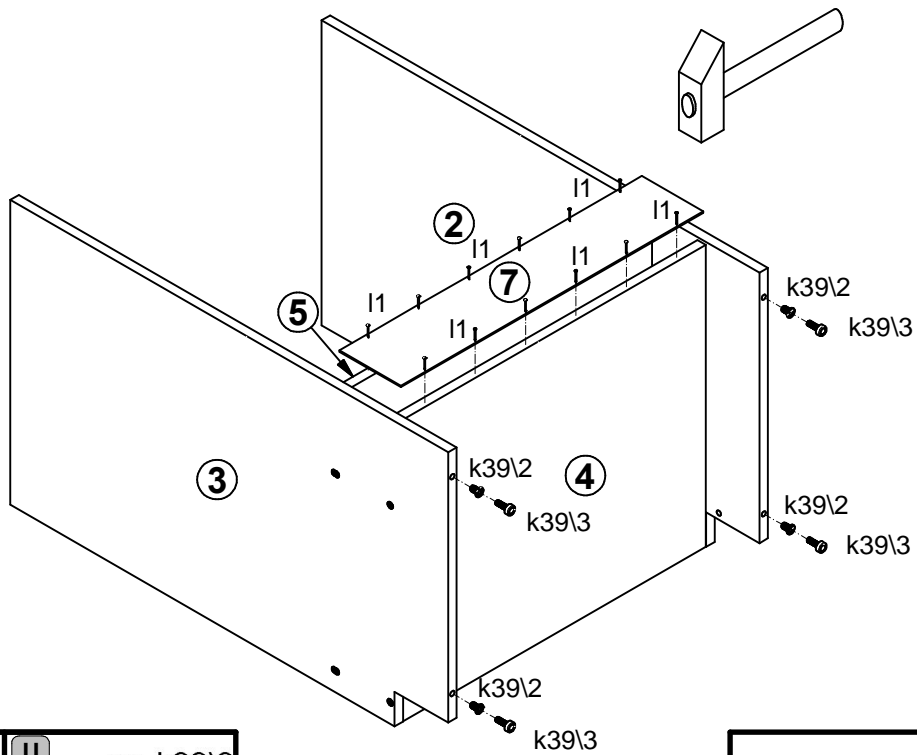
1 §2



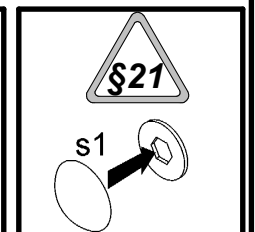
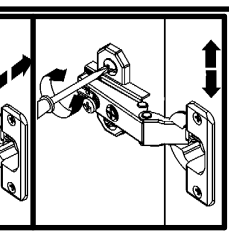
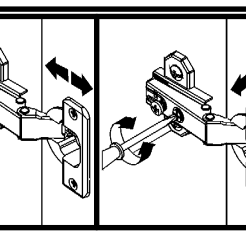
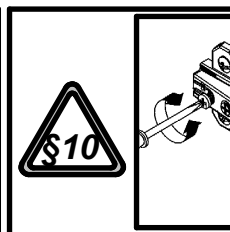
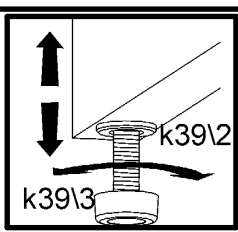
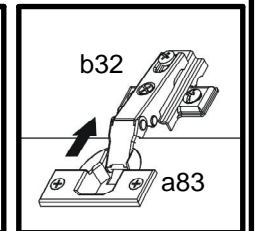
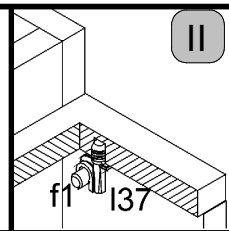
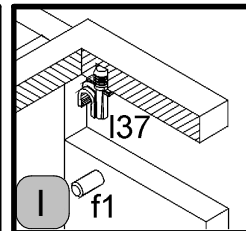
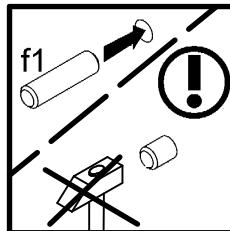
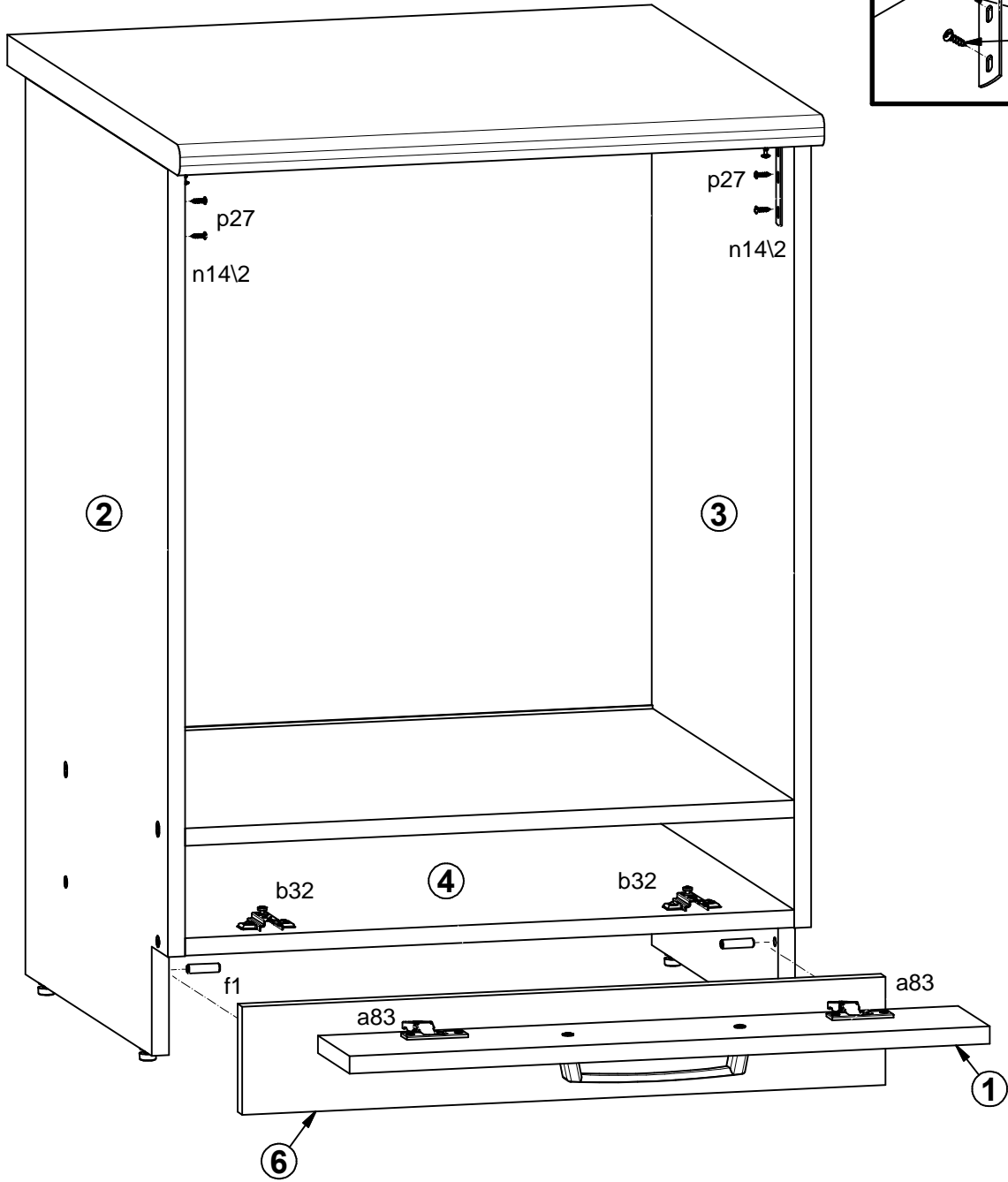
2



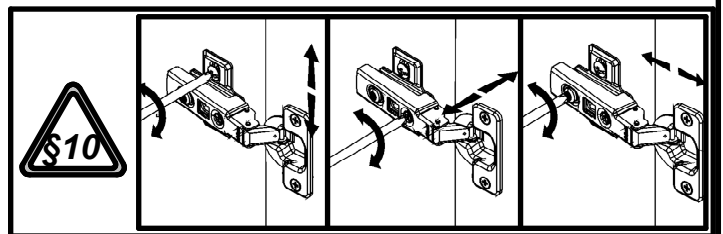
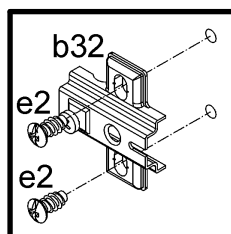
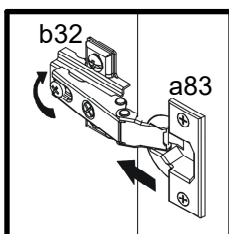
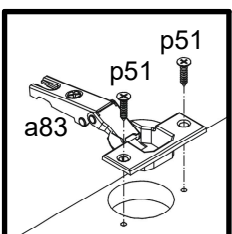
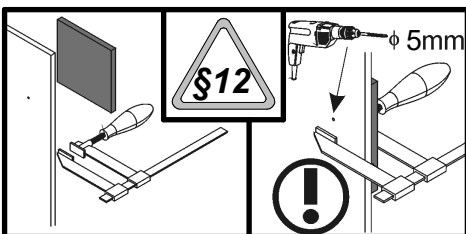
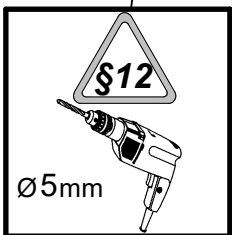
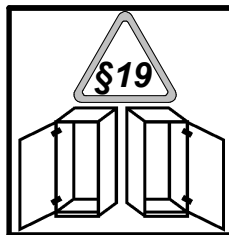
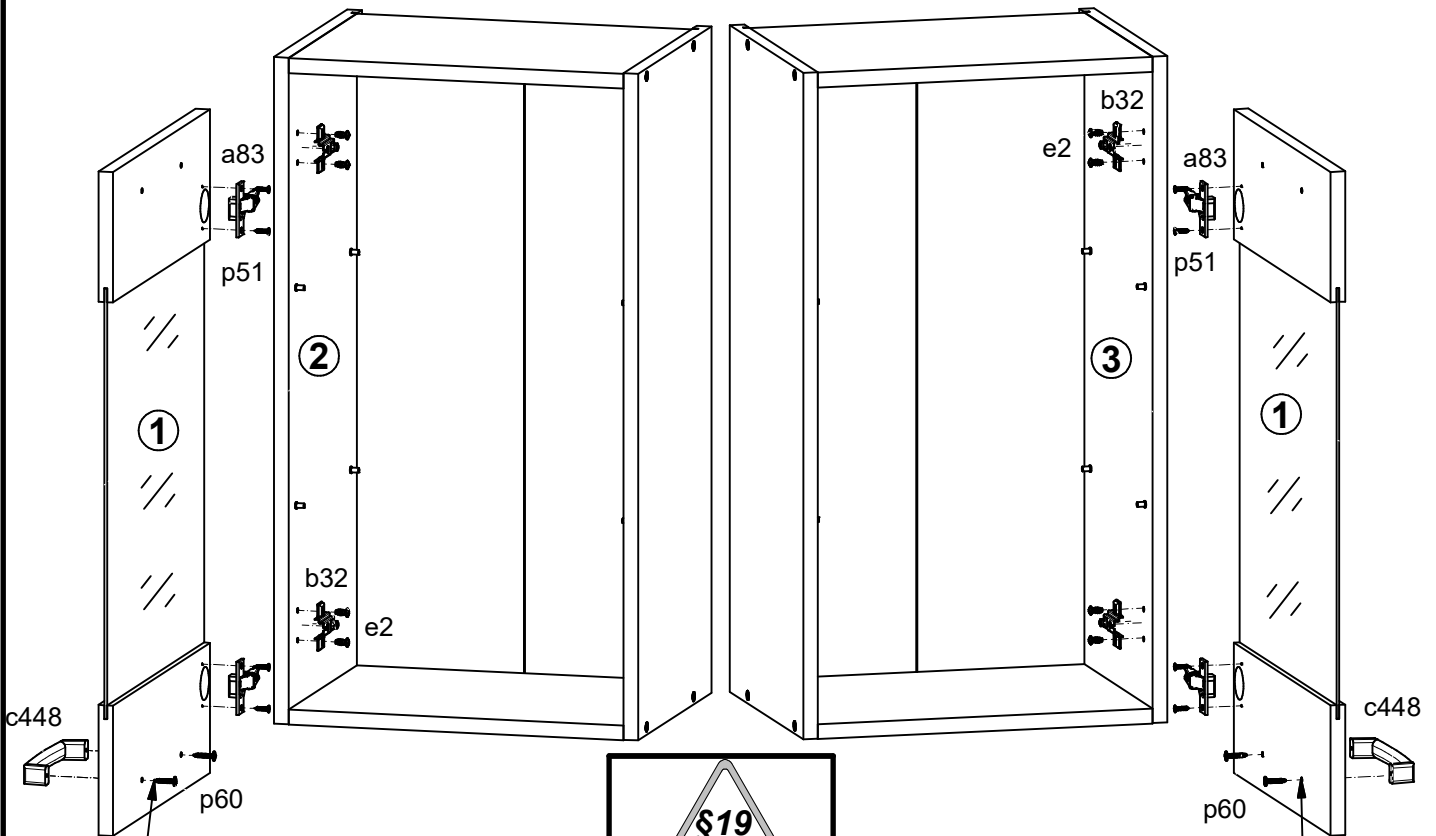
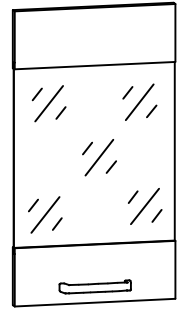
3



4



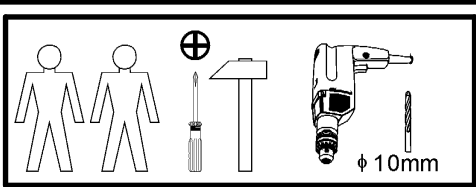
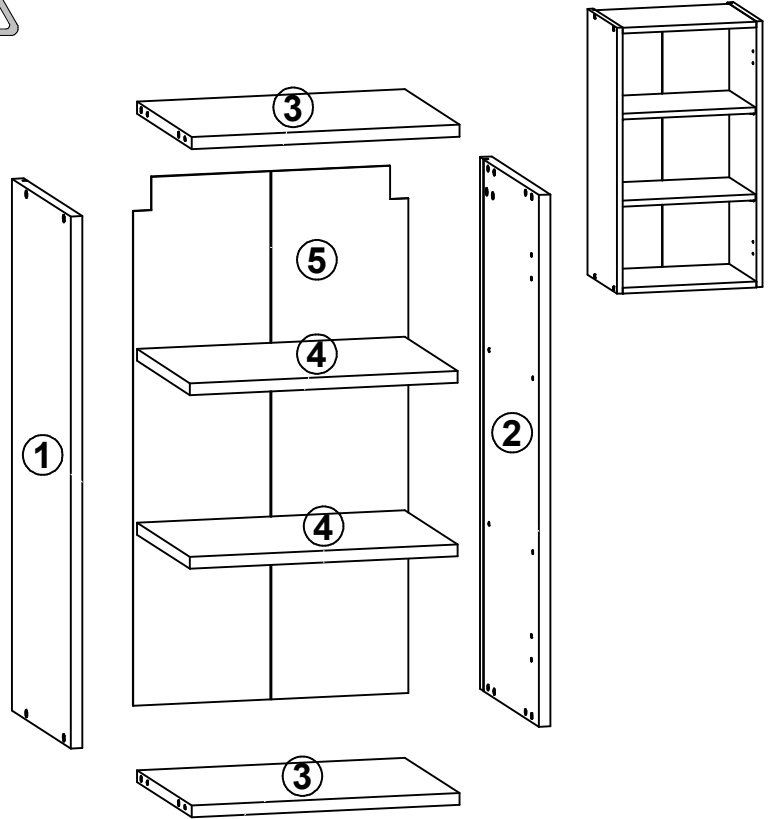
A	B	C	D
1	K30-0001	713	396
			2/2



SEMI LINE

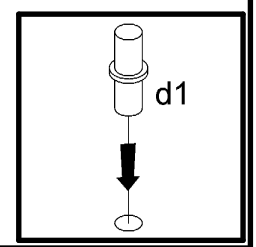
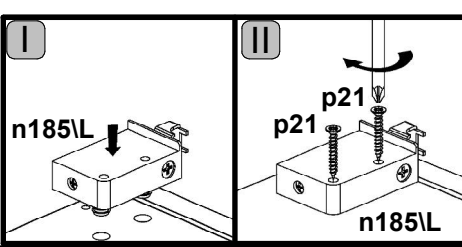
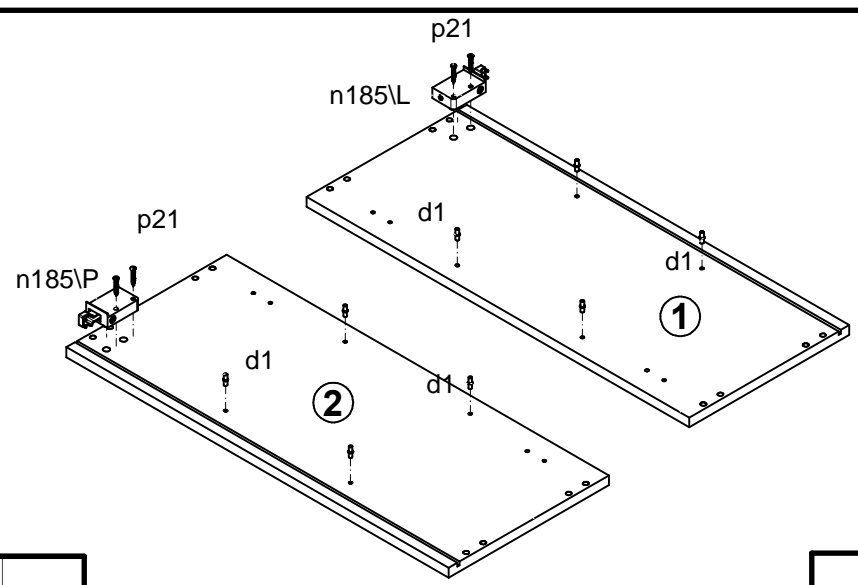
K30-G-40/72

A	B	C	D	
1	K30-1001	716	300	1/2
2	K30-1002	716	300	1/2
3	K30-3001	367	280	1/2
4	K30-3002	367	270	1/2
5	K30-9001	711	377	1/2



2x a83	2x b32	1x c448 160mm	8x d1 Ø5x17 mm	8x e1 Ø7x50 mm	4x j45\2	8x f1 Ø8x30 mm	2x f35 Ø10x50 mm	15x l1
2x p127 Ø6x60 mm	4x p21 Ø4x30 mm	4x p51 Ø3.5x15 mm	2x p60 Ø4x22 mm	1x z1 4 mm	8x s1	1x n185\L	1x n185\P	4x j45\1 M4x12 mm

1 §2



SEMI LINE K30-G-80_72-LV_PV

A	B	C	D	
1	K30-1001	716	300	1/2
2	K30-1002	716	300	1/2
3	K30-3005	767	280	1/2
4	K30-3006	767	270	1/2
5	K30-9003	711	777	1/2

