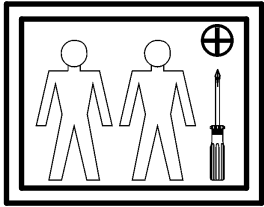
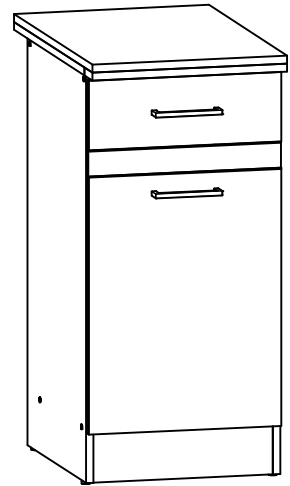
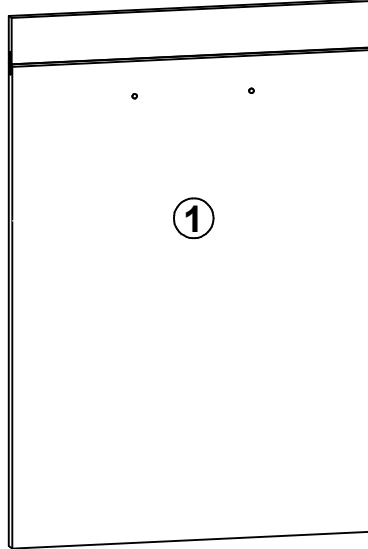
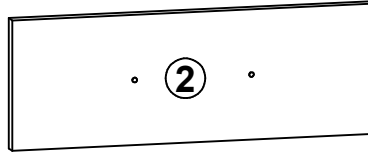
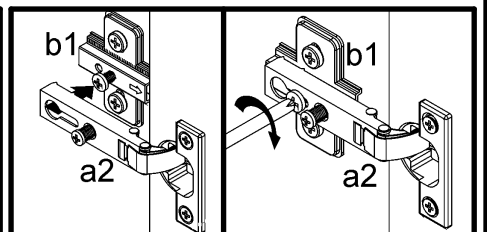
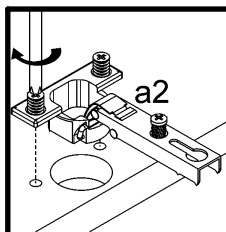
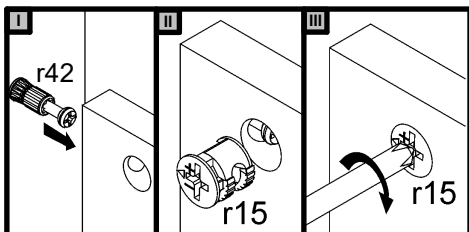
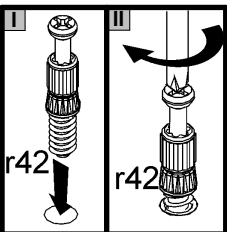
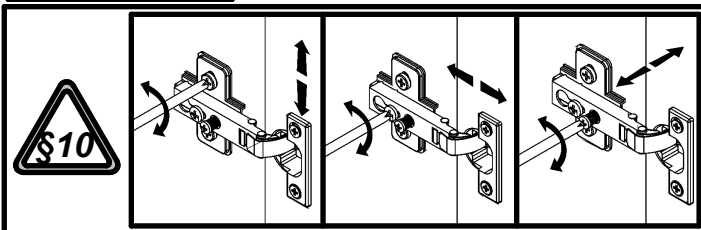
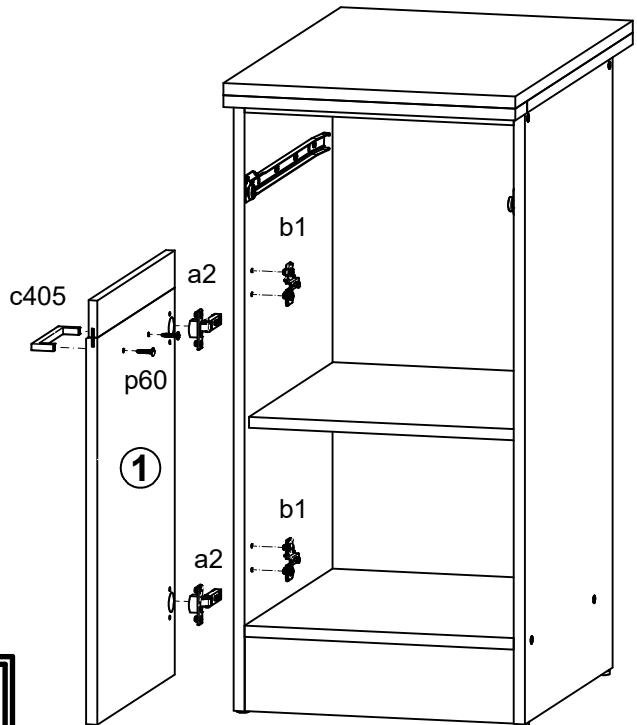
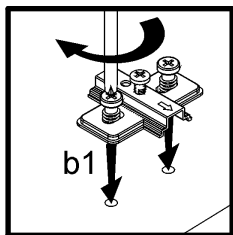
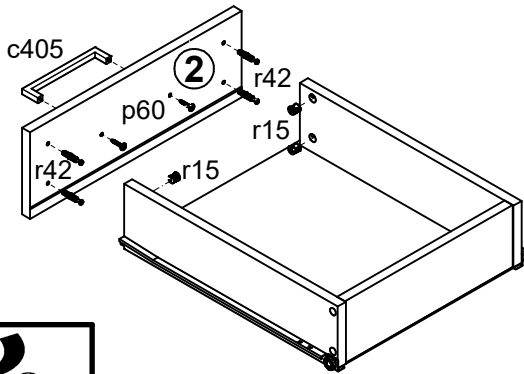


| A | B | C | D |
|---|---------|-----|---------|
| 1 | K24-024 | 396 | 570 3/3 |
| 2 | K24-032 | 396 | 140 3/3 |



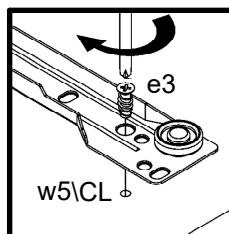
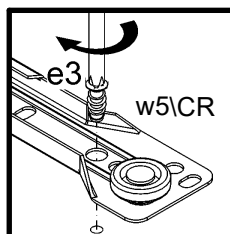
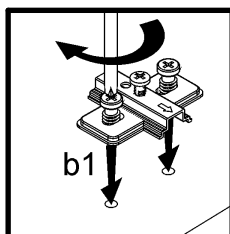
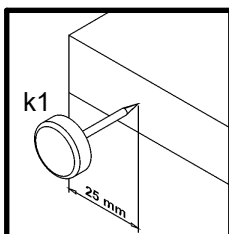
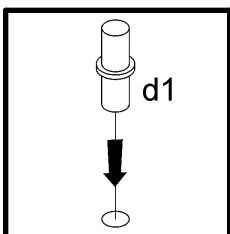
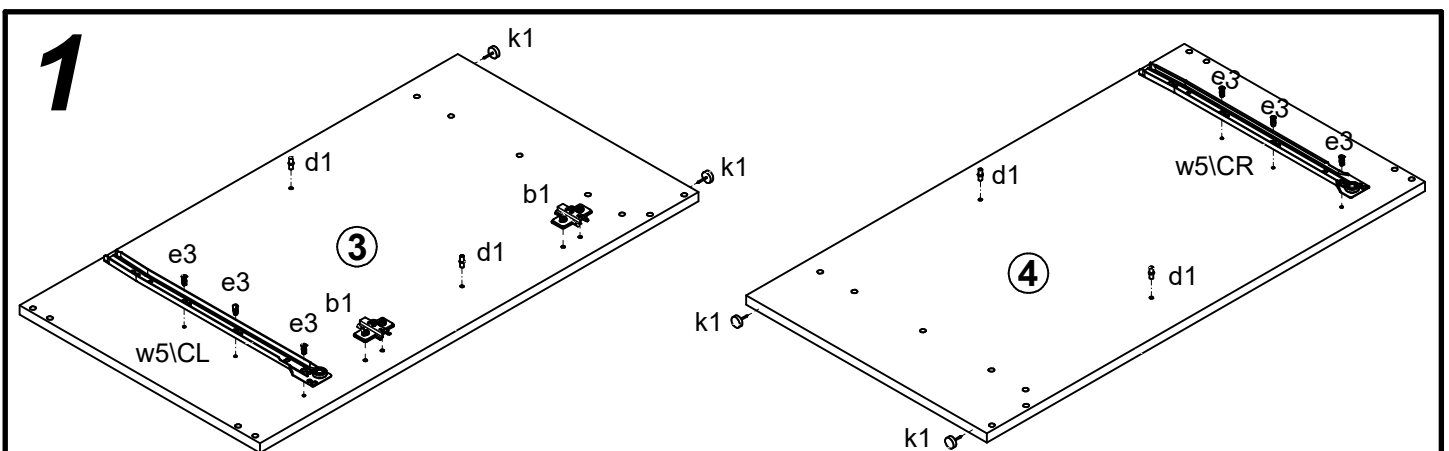
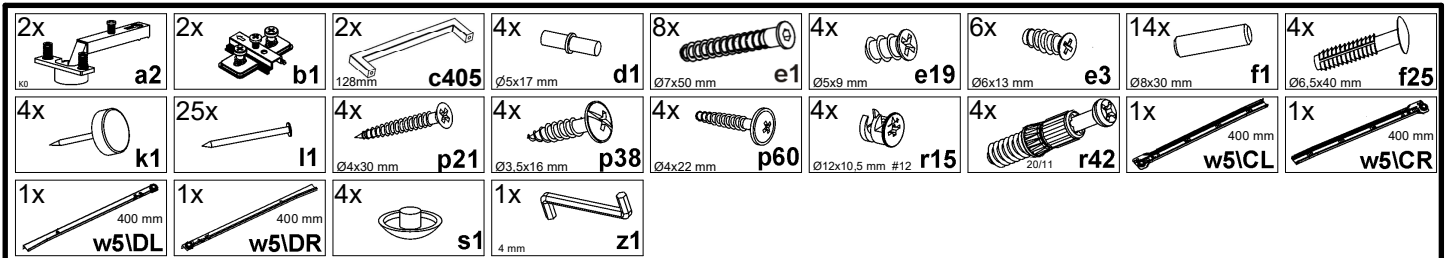
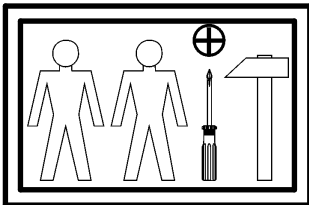
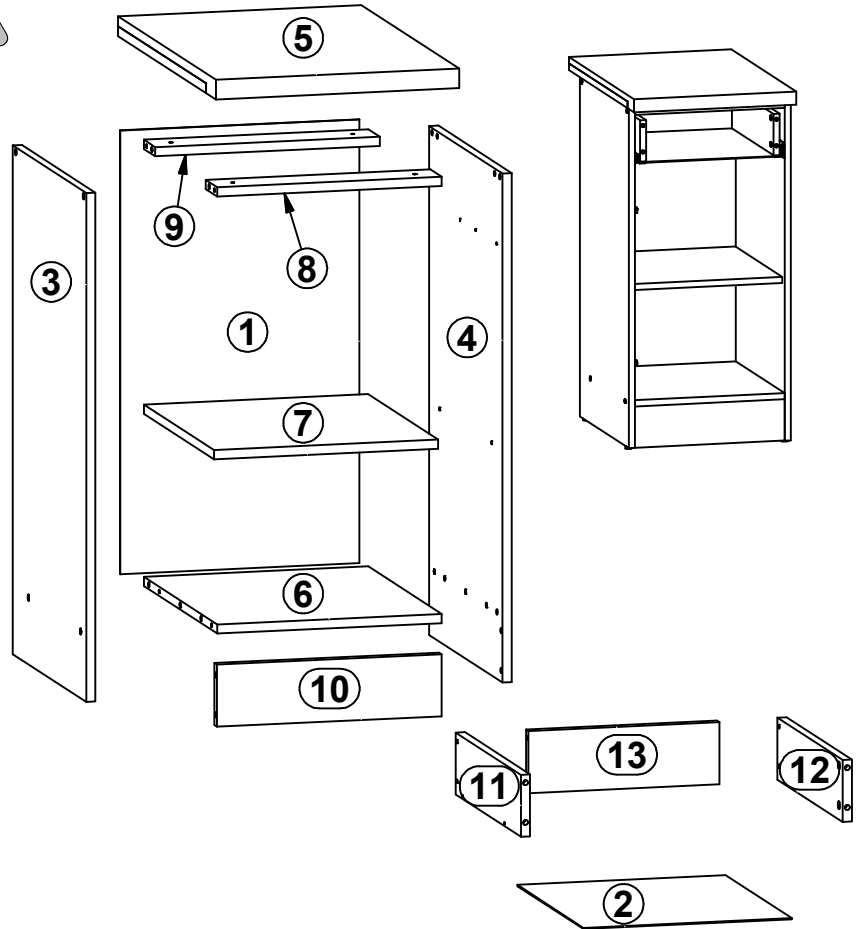
1



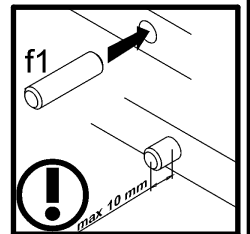
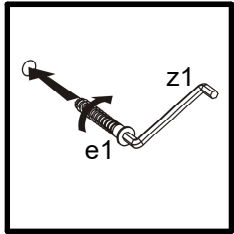
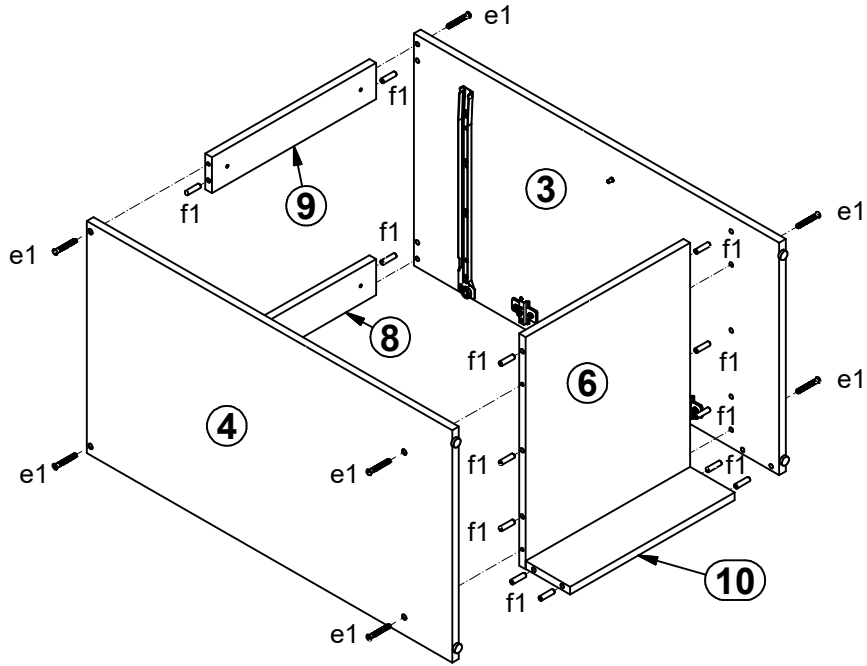
Junona Line K24-D1D1S/40/82

Moduł A , A + A1

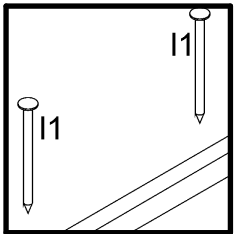
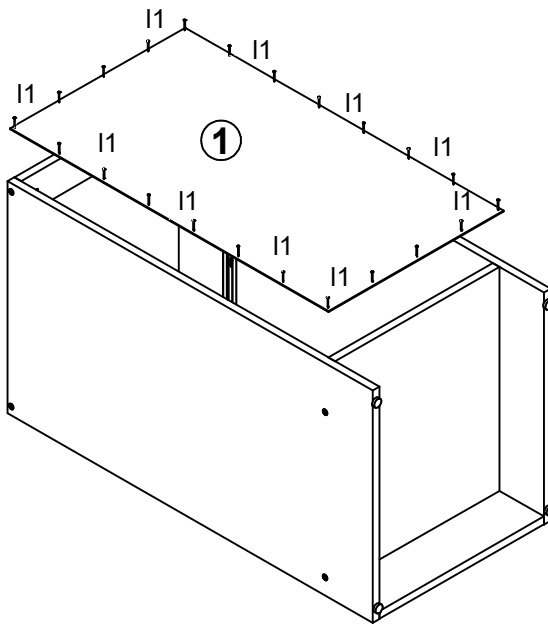
| A | B | C | D |
|------------------|----------|-----|-----|
| Moduł A , A + A1 | | | |
| 1 | K22-906 | 715 | 393 |
| 2 | K22-922 | 406 | 342 |
| 3 | K24-103 | 820 | 450 |
| 4 | K24-104 | 820 | 450 |
| 6 | K24-307 | 369 | 450 |
| 7 | K24-308 | 368 | 430 |
| 8 | K24-411 | 369 | 70 |
| 9 | K24-412 | 369 | 70 |
| 10 | K24-413 | 369 | 100 |
| 11 | K24-501 | 400 | 100 |
| 12 | K24-502 | 400 | 100 |
| 13 | ZS3-5527 | 314 | 100 |
| Moduł A + A1 | | | |
| 5 | K24-203 | 400 | 600 |



2

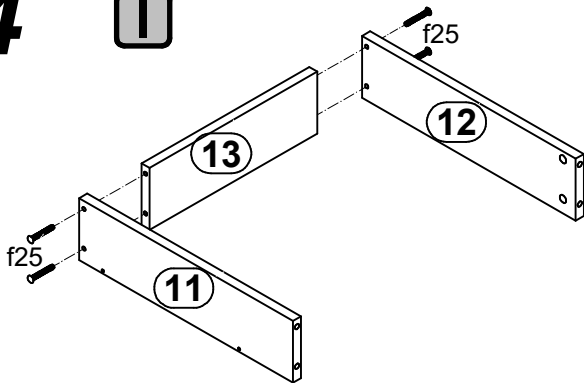


3

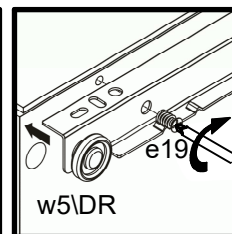
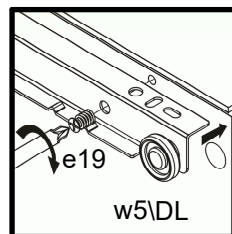
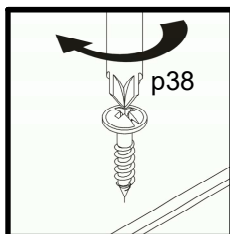
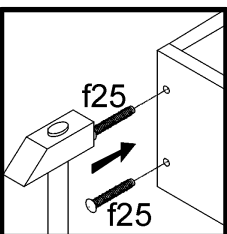
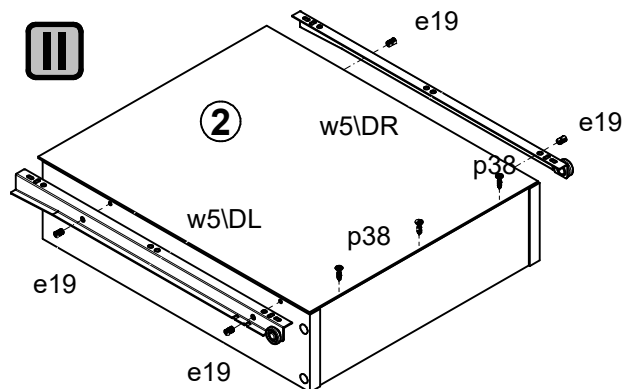


4

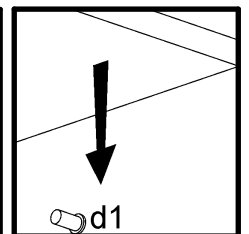
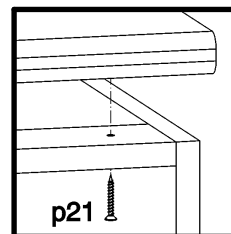
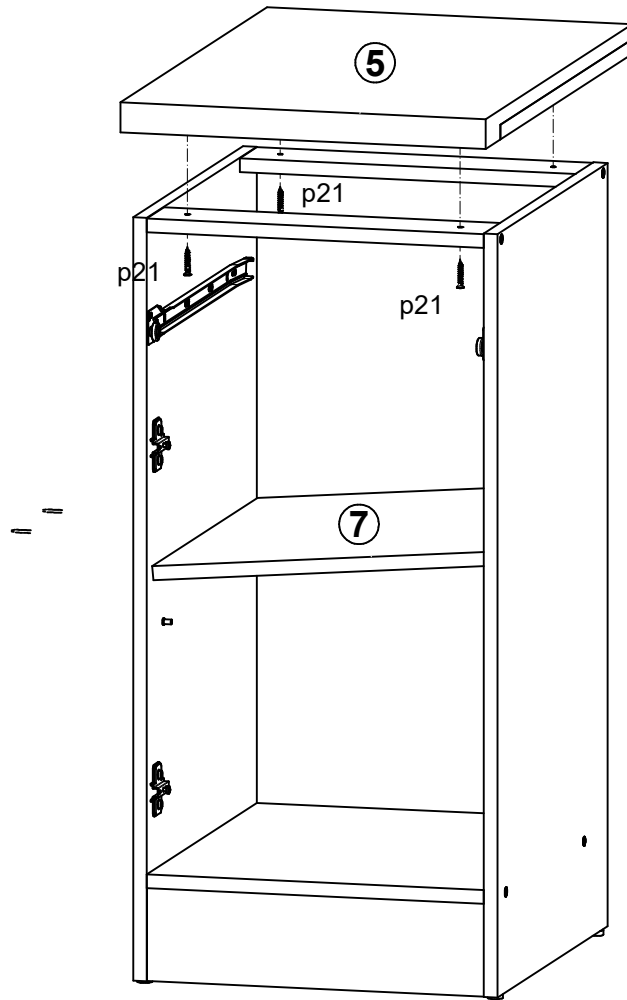
I



II

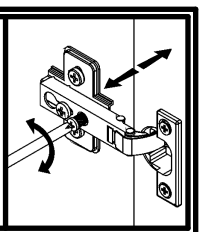
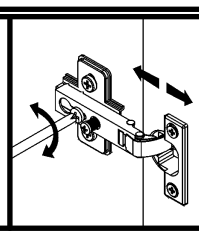
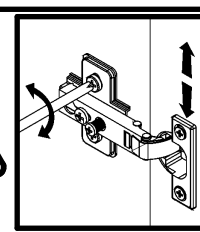
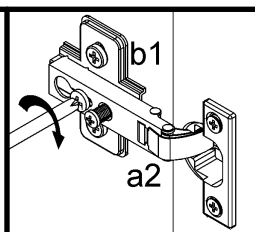
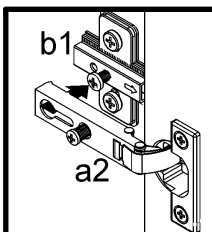
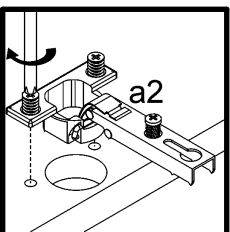
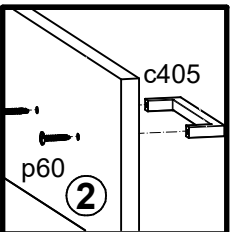
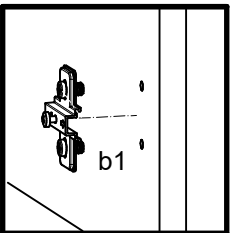
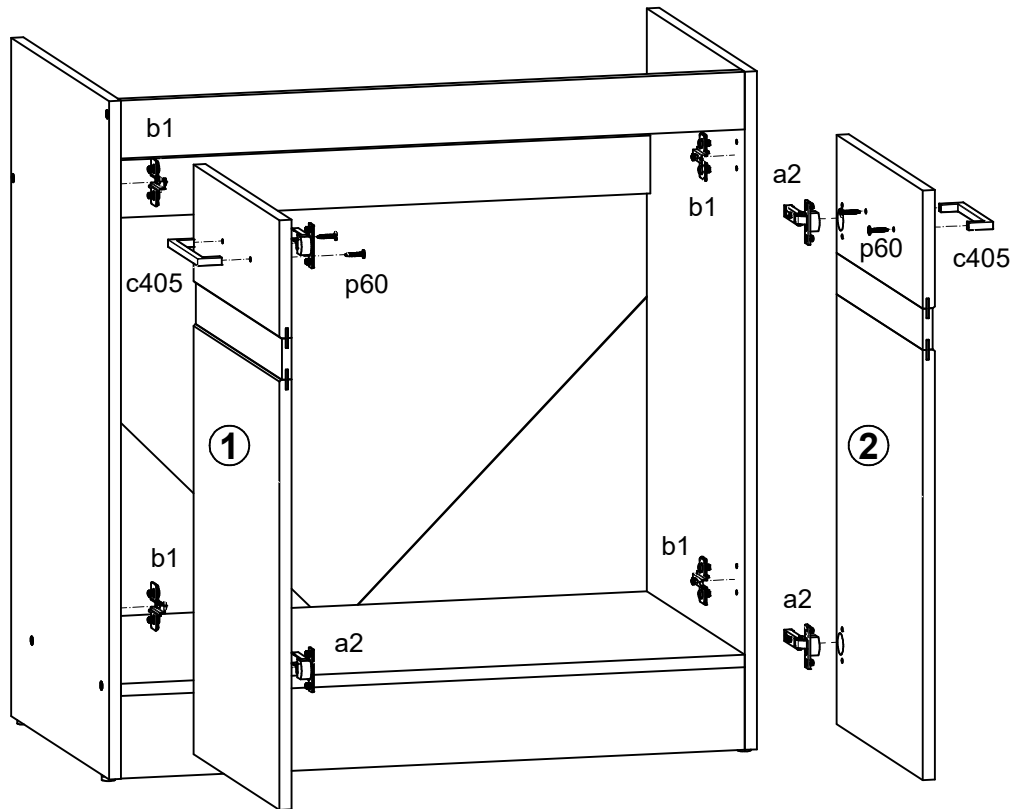
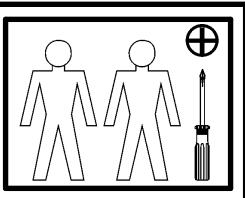
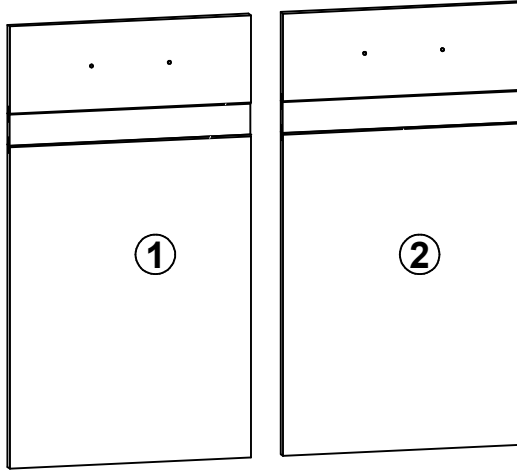
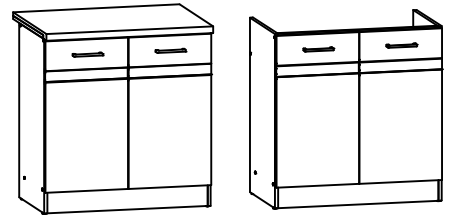


5



Junona Line K24-DK2D/80/82-frn K24-D2D/80/82-frn Moduł A,A+A1,G,G+A1

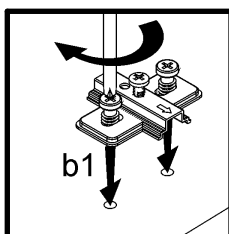
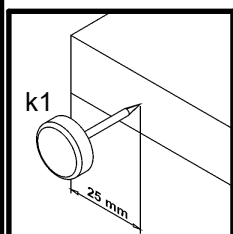
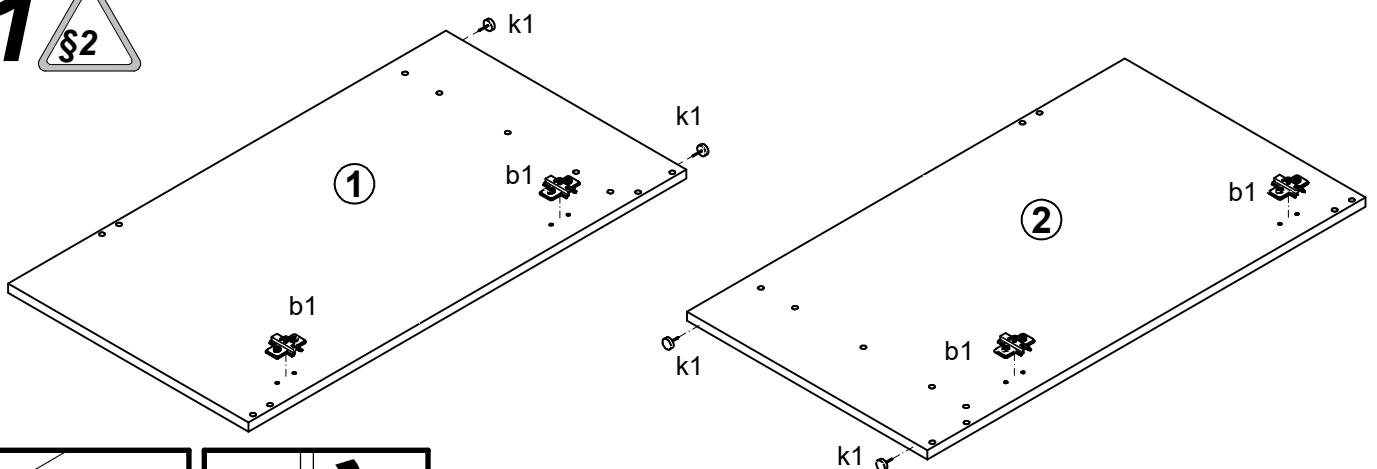
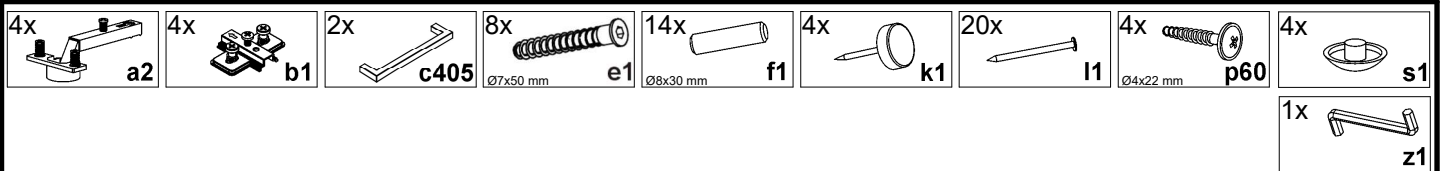
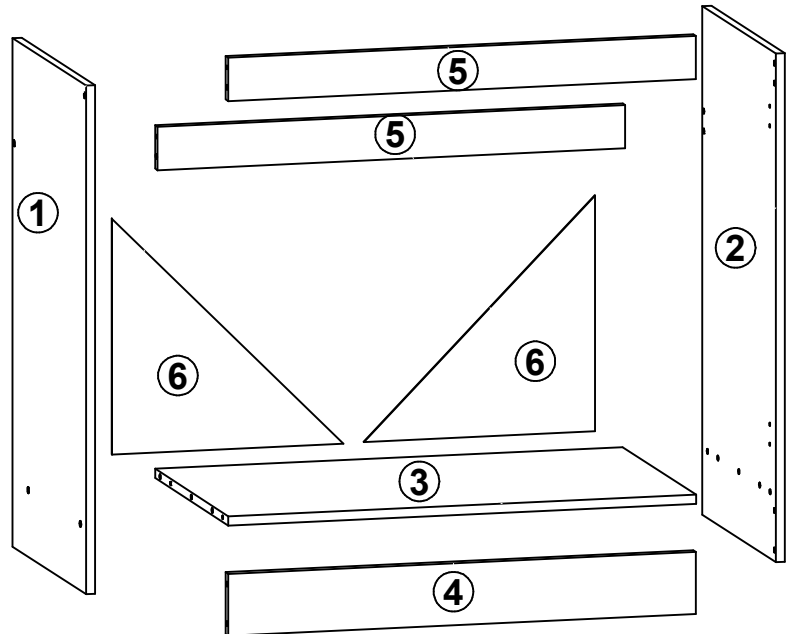
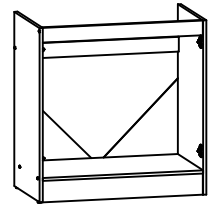
| A | B | C | D |
|---------------------|---------|-----|---------|
| K24-DK2D/80/82-frn | | | |
| K24-D2D/80/82-frn | | | |
| 1 | K24-020 | 396 | 713 2/2 |
| 2 | K24-021 | 396 | 713 2/2 |
| Moduł A,A+A1,G,G+A1 | | | |
| 1 | K24-020 | 396 | 713 3/3 |
| 2 | K24-021 | 396 | 713 3/3 |



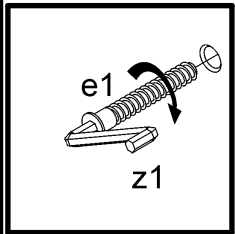
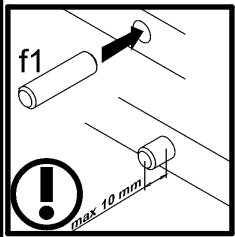
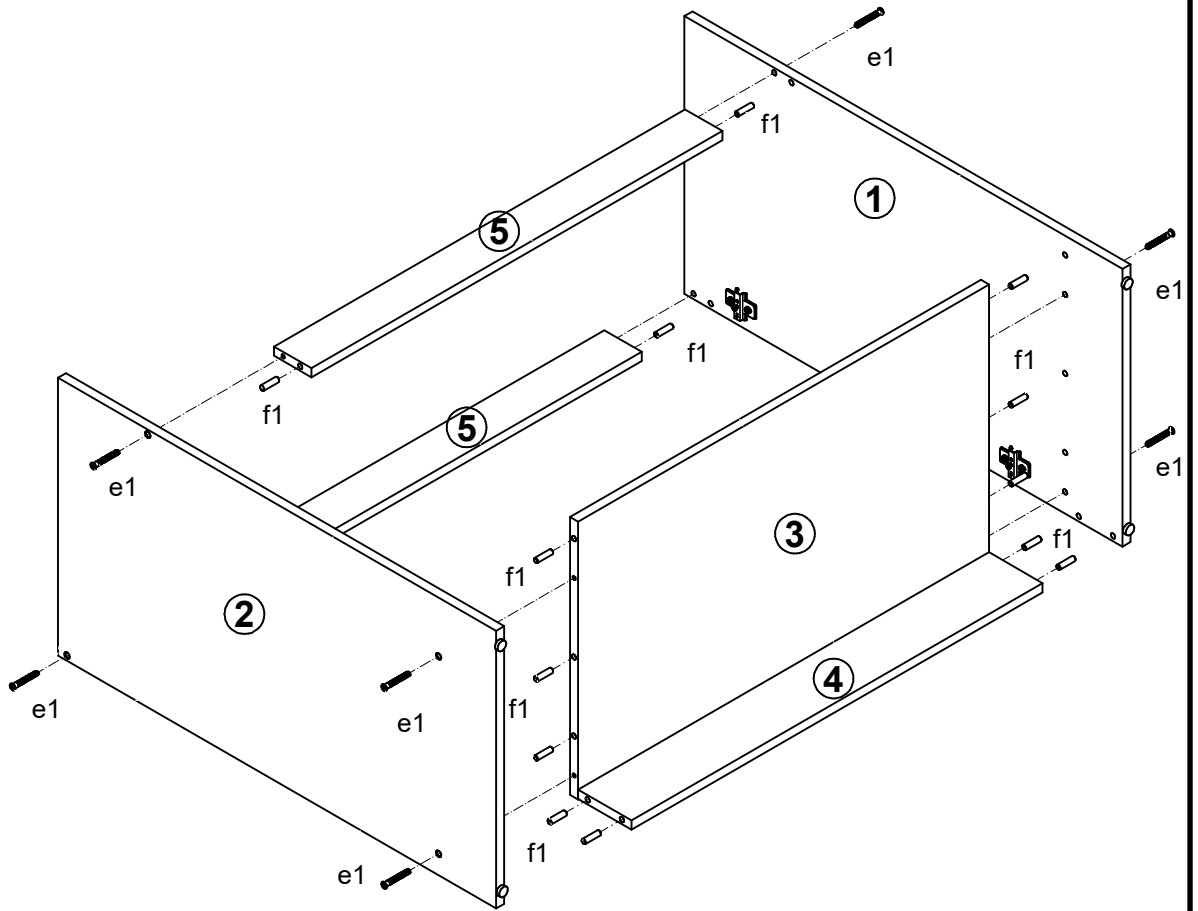
Junona Line K24-DK2D/80/82

Moduł A , A + A1

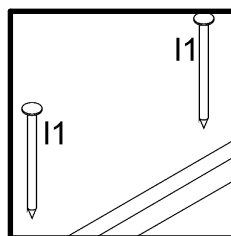
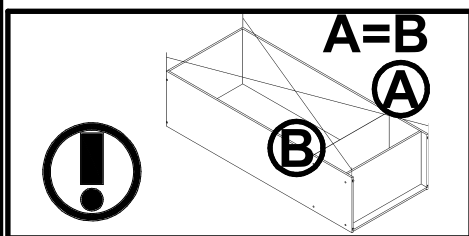
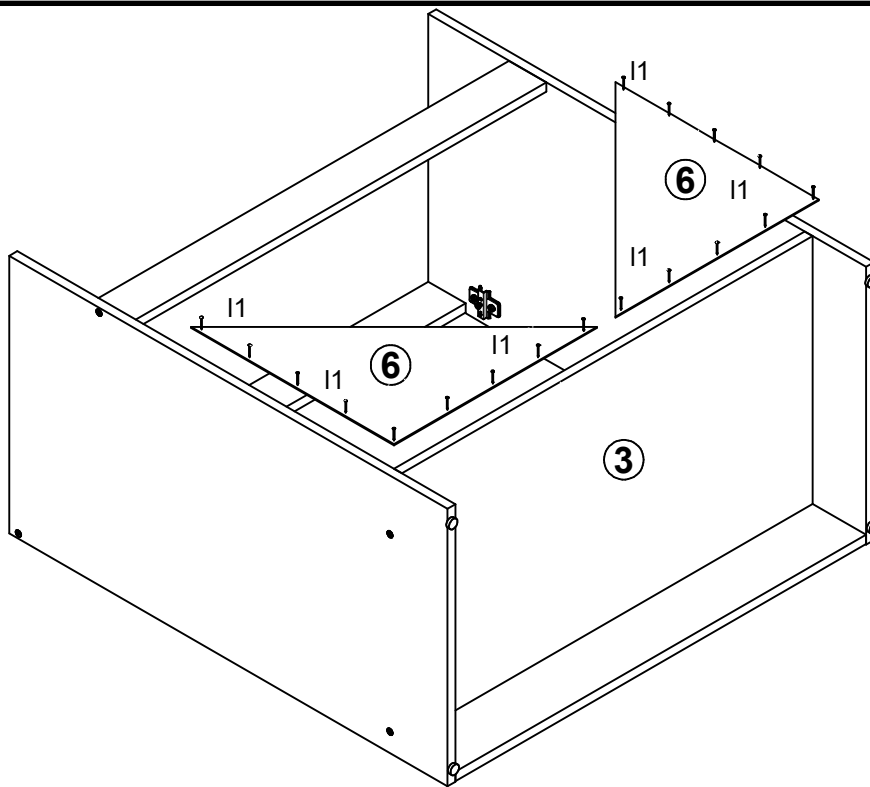
| A | B | C | D | |
|-------------------------|---------|-----|-----|-----|
| K24-DK2D/80/82 | | | | |
| 1 | K24-116 | 820 | 450 | 1/2 |
| 2 | K24-117 | 820 | 450 | 1/2 |
| 3 | K24-327 | 769 | 450 | 1/2 |
| 4 | K24-417 | 769 | 100 | 1/2 |
| 5 | K24-418 | 769 | 70 | 1/2 |
| 6 | K22-918 | 380 | 380 | 1/2 |
| Moduł A , A + A1 | | | | |
| 1 | K24-116 | 820 | 450 | 1/3 |
| 2 | K24-117 | 820 | 450 | 1/3 |
| 3 | K24-327 | 769 | 450 | 2/3 |
| 4 | K24-417 | 769 | 100 | 2/3 |
| 5 | K24-418 | 769 | 70 | 2/3 |
| 6 | K22-918 | 380 | 380 | 1/3 |



2 



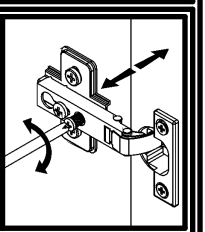
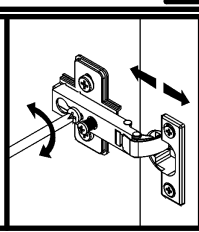
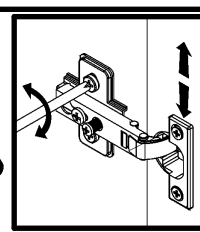
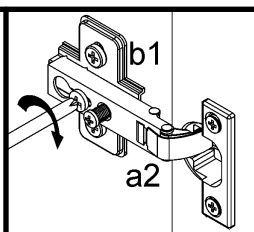
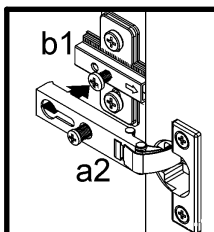
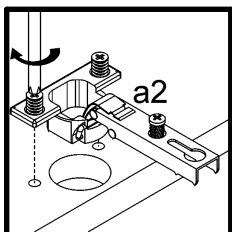
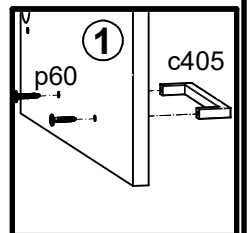
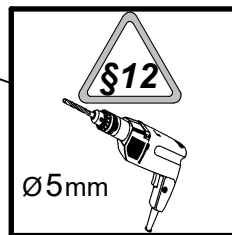
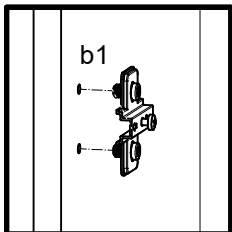
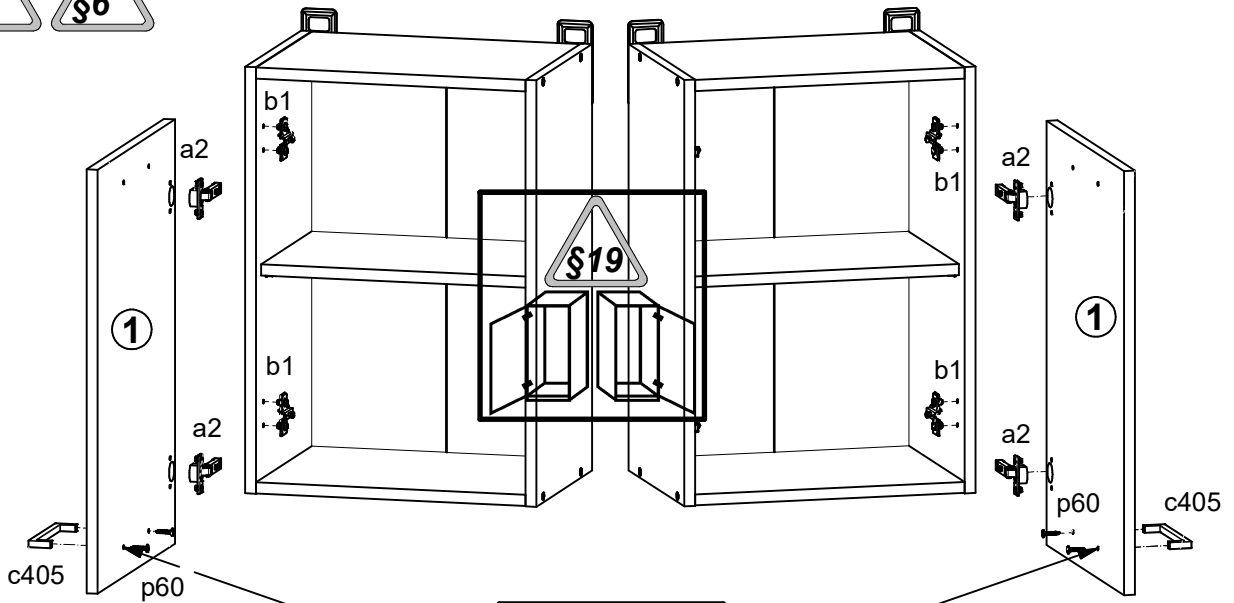
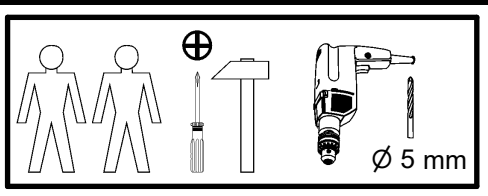
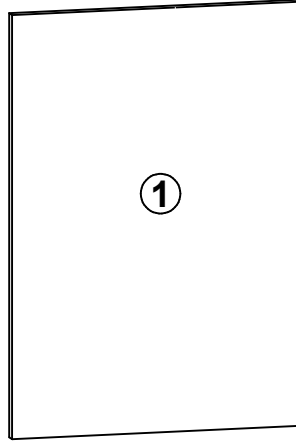
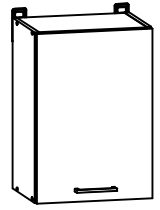
3



Junona Line

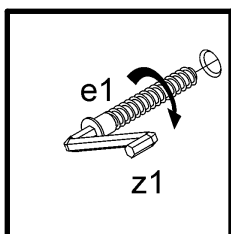
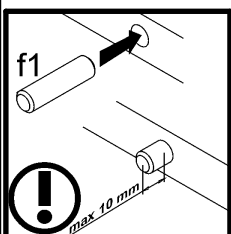
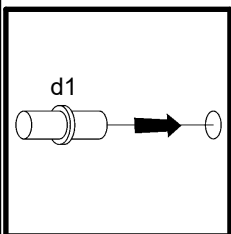
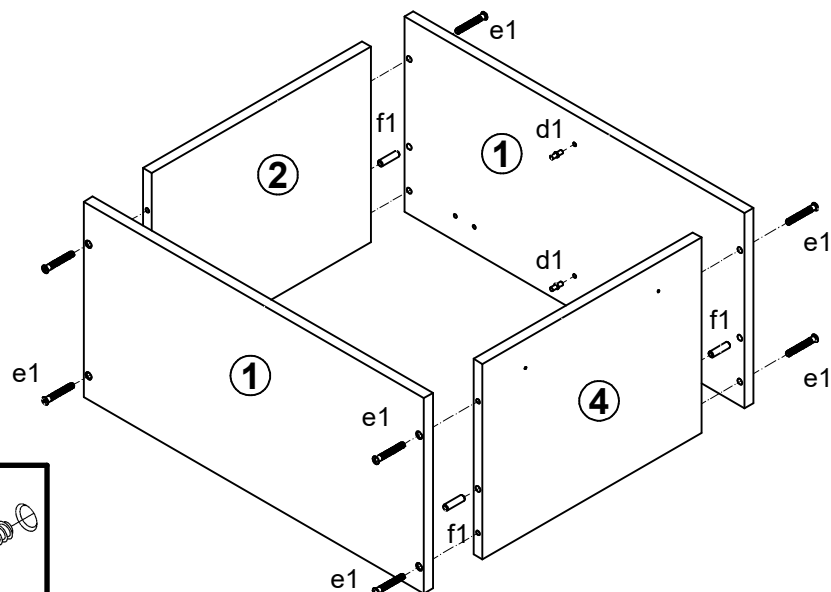
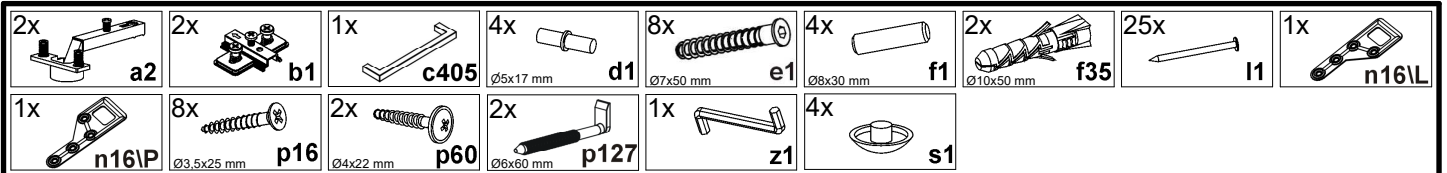
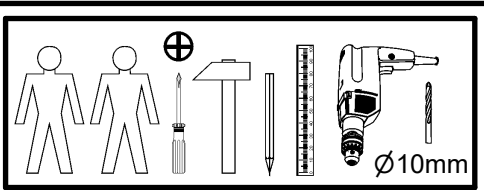
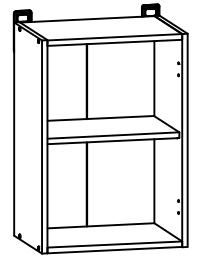
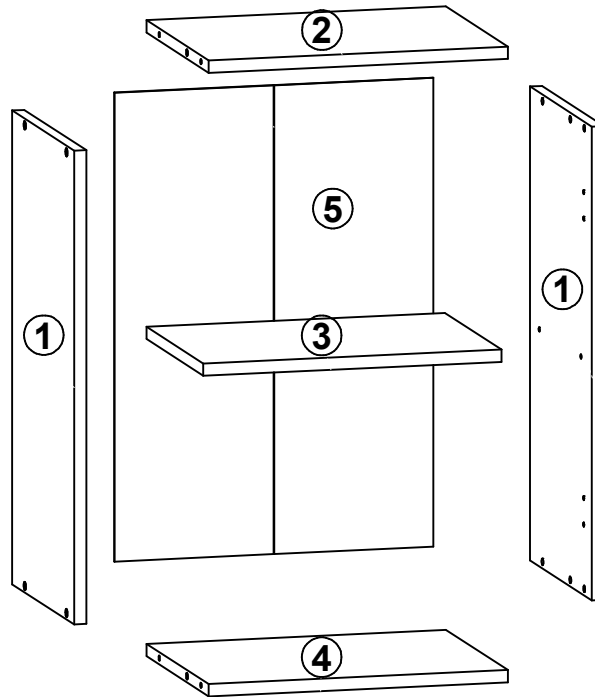
K24-G1D/40/57-LP Moduł A,A+A1,G,G+A1

| A | B | C | D |
|---------------------|---------|-----|-----|
| K24-G1D/40/57-LP | | | |
| 1 | K24-029 | 396 | 570 |
| Moduł A,A+A1,G,G+A1 | | | |
| 1 | K24-029 | 396 | 570 |
| | | | 3/3 |

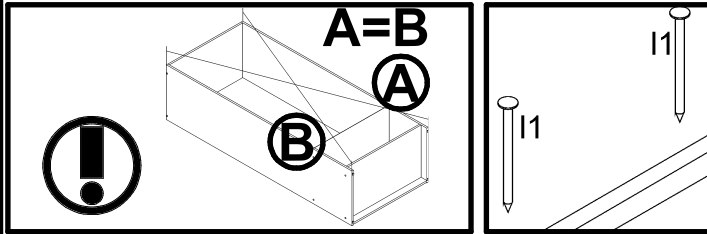
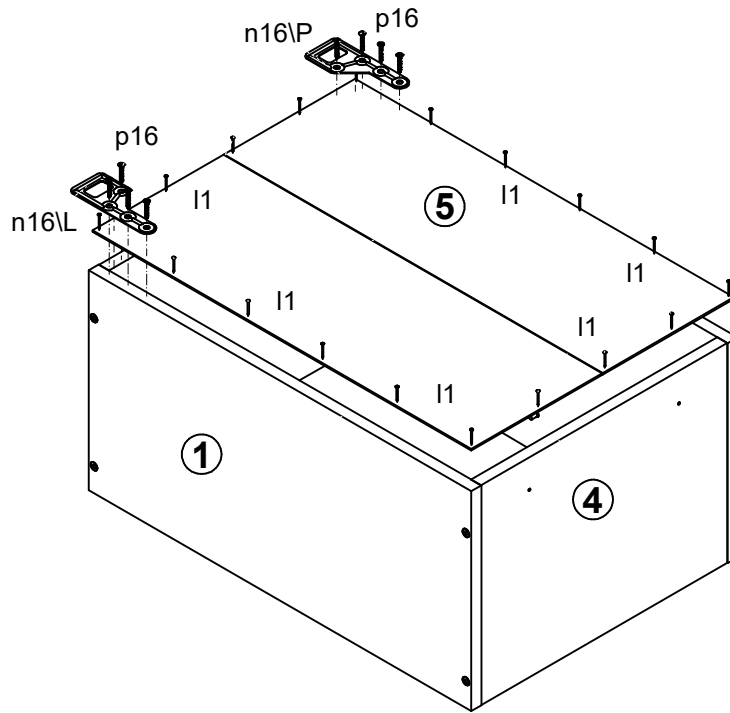


Junona Line K24-G1D/40/57-LP Moduł A , A + A1

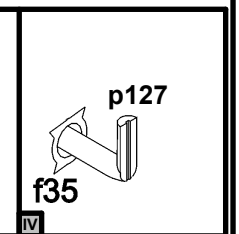
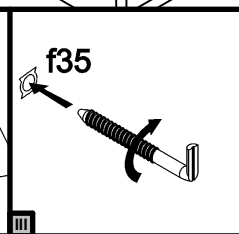
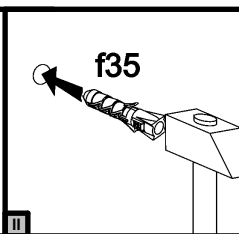
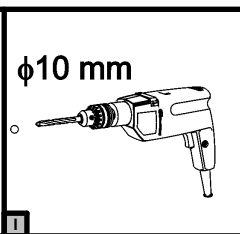
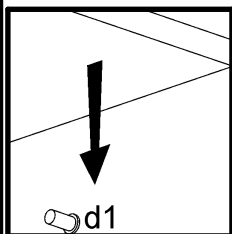
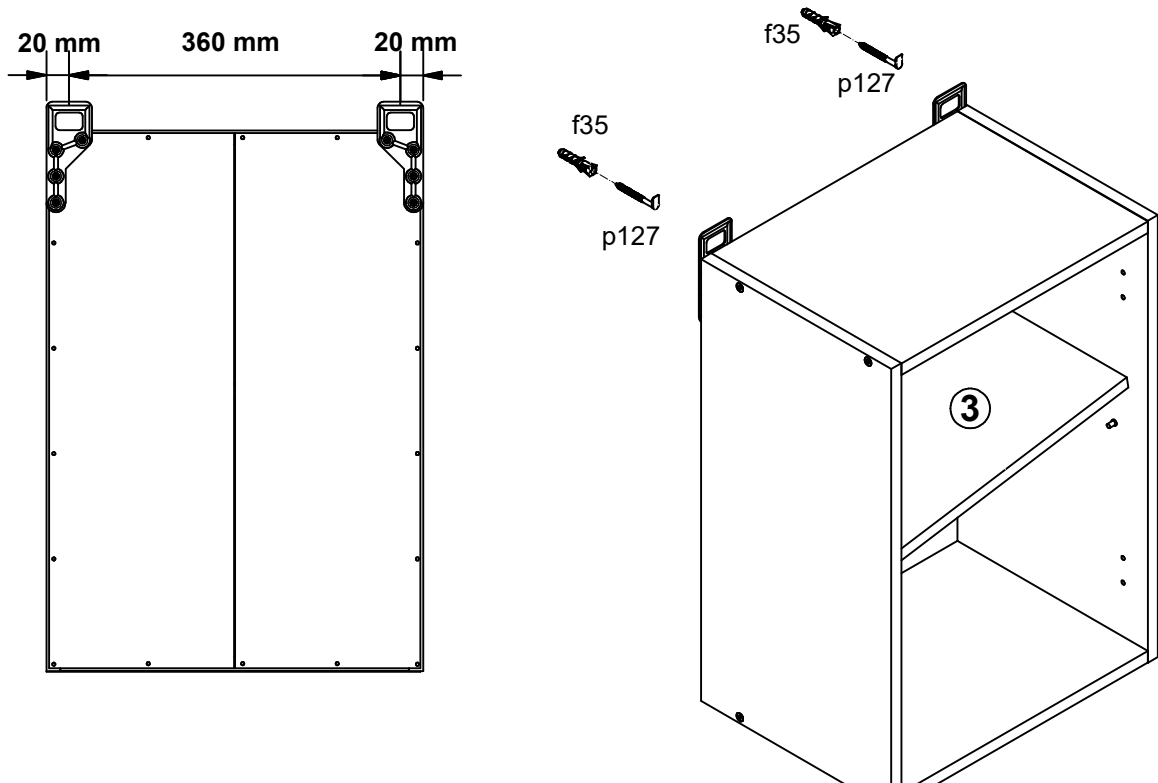
| A | B | C | D |
|-------------------------|---------|-----|---------|
| K24-G1D/40/57-LP | | | |
| 1 | K24-101 | 573 | 285 1/2 |
| 2 | K24-311 | 369 | 285 1/2 |
| 3 | K24-312 | 368 | 260 1/2 |
| 4 | K24-323 | 369 | 285 1/2 |
| 5 | K22-908 | 567 | 393 1/2 |
| Moduł A , A + A1 | | | |
| 1 | K24-101 | 573 | 285 2/3 |
| 2 | K24-311 | 369 | 285 2/3 |
| 3 | K24-312 | 368 | 260 2/3 |
| 4 | K24-323 | 369 | 285 2/3 |
| 5 | K22-908 | 567 | 393 2/3 |



2 §6

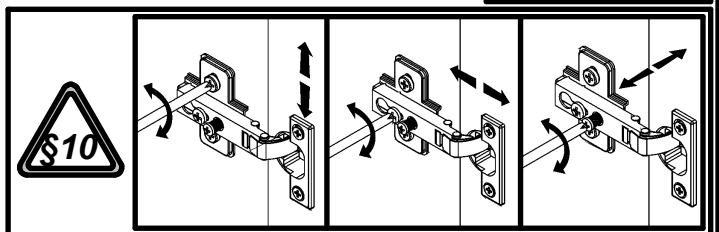
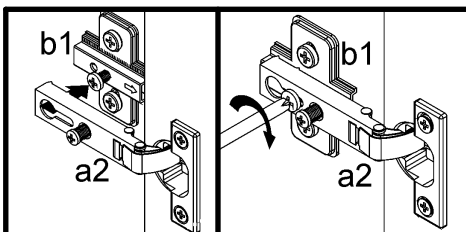
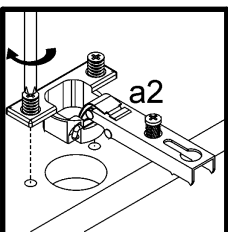
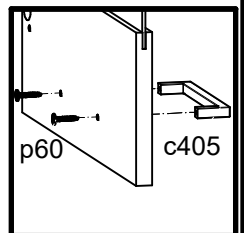
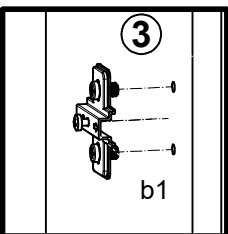
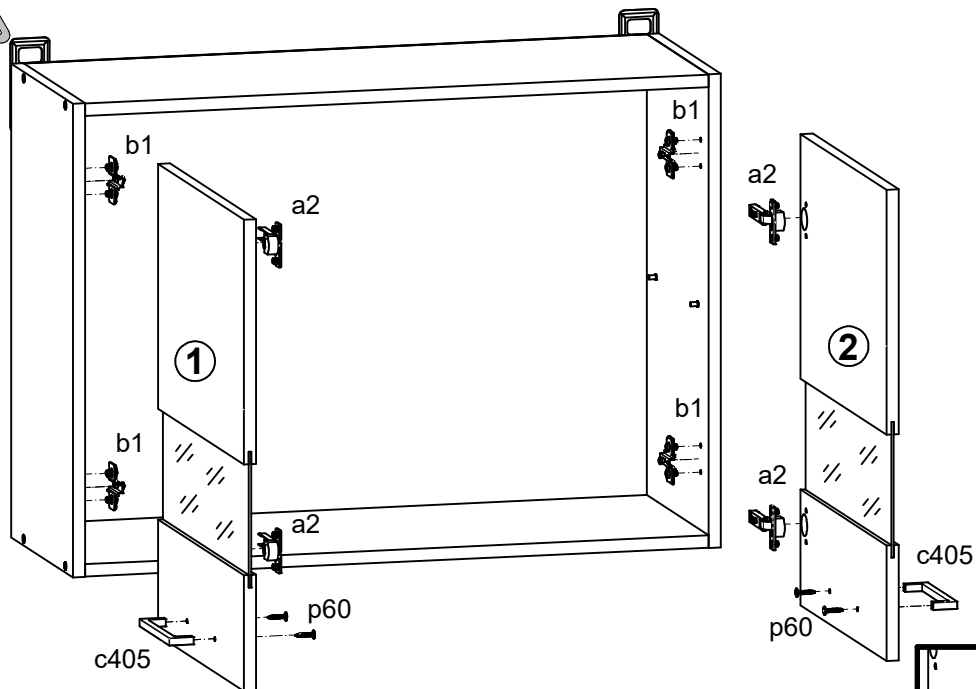
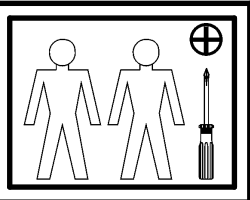
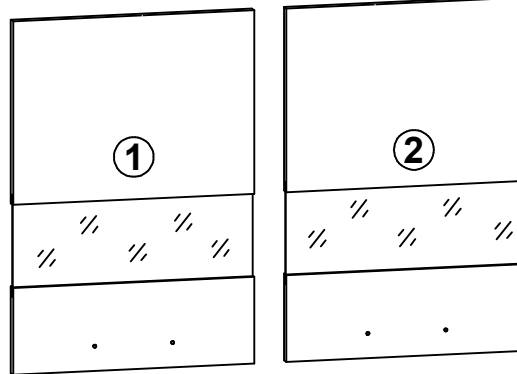
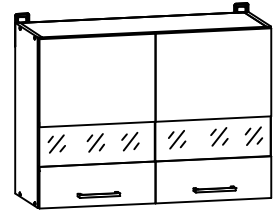


3



Junona Line K24-G2W/80/57-frn Moduł A , A + A1

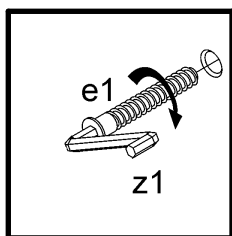
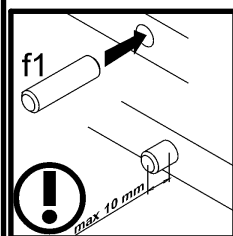
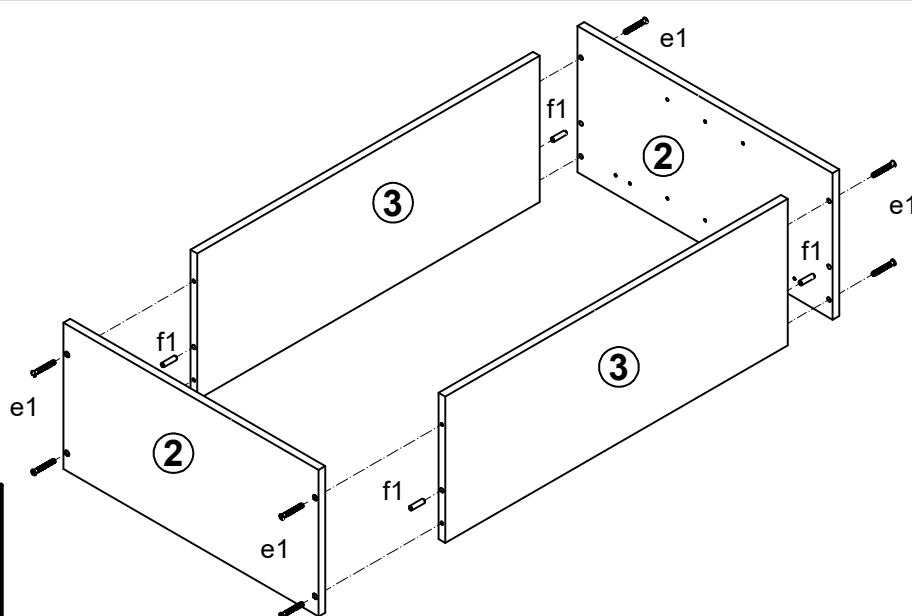
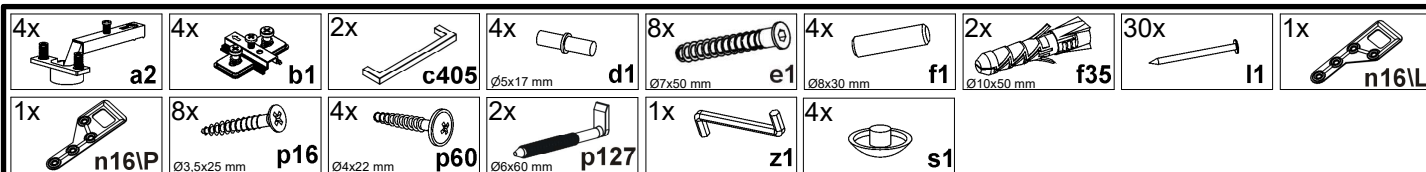
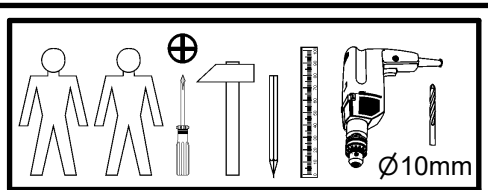
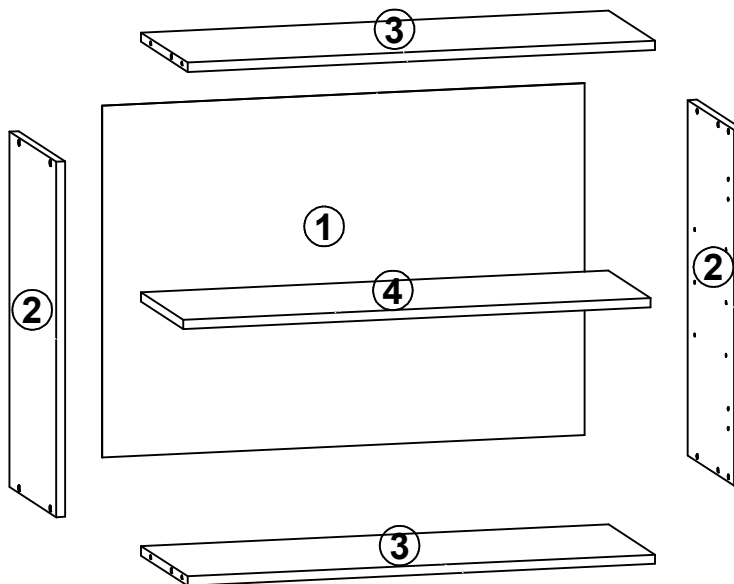
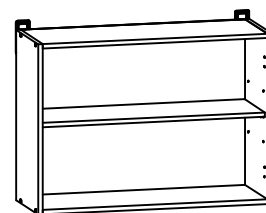
| A | B | C | D |
|-------------------|---------|-----|---------|
| K24-G2W/80/57-frn | | | |
| 1 | K24-017 | 396 | 570 2/2 |
| 2 | K24-018 | 396 | 570 2/2 |
| Moduł A , A + A1 | | | |
| 1 | K24-017 | 396 | 570 3/3 |
| 2 | K24-018 | 396 | 570 3/3 |



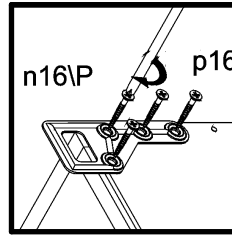
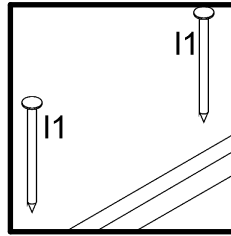
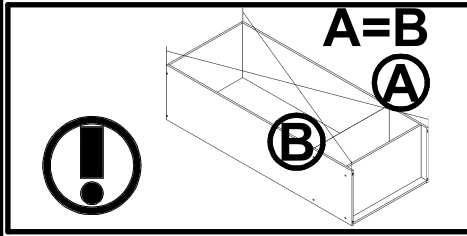
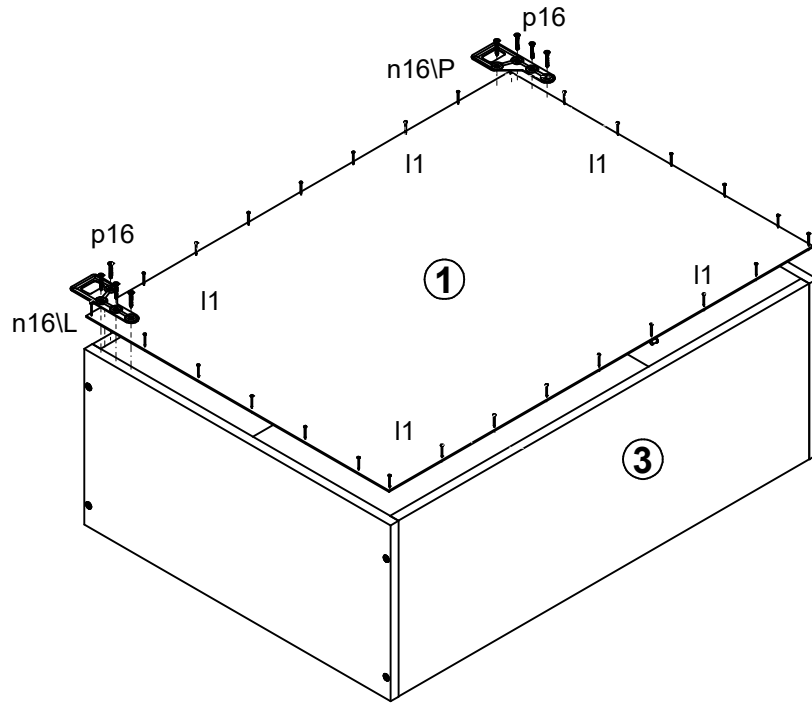
Junona Line

K24-G2W/80/57 Moduł A , A + A1

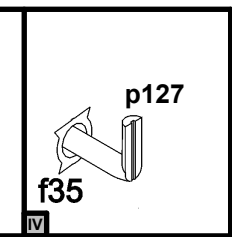
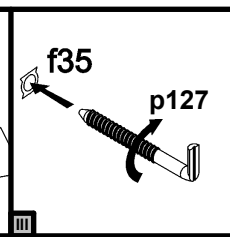
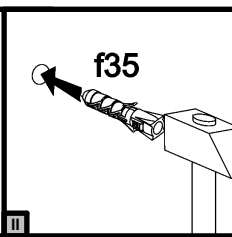
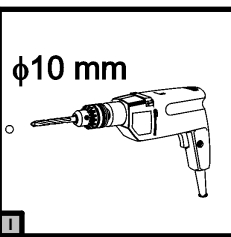
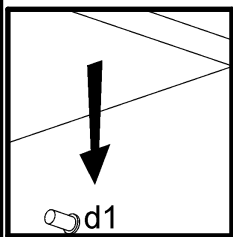
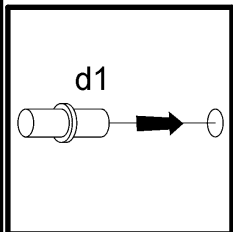
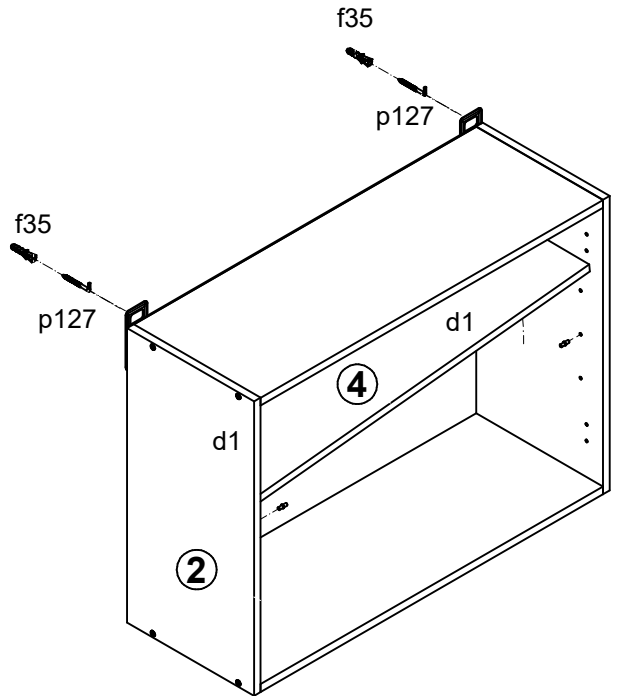
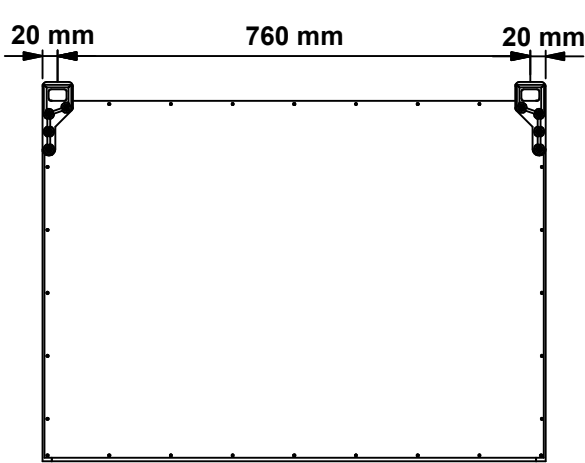
| A | B | C | D |
|-------------------------|---------|-----|---------|
| K24-G2W/80/57 | | | |
| 1 | K22-919 | 567 | 793 1/2 |
| 2 | K24-120 | 573 | 285 1/2 |
| 3 | K24-328 | 769 | 285 1/2 |
| 4 | K24-329 | 768 | 260 1/2 |
| Moduł A , A + A1 | | | |
| 1 | K22-919 | 567 | 793 2/3 |
| 2 | K24-120 | 573 | 285 2/3 |
| 3 | K24-328 | 769 | 285 2/3 |
| 4 | K24-329 | 768 | 260 2/3 |



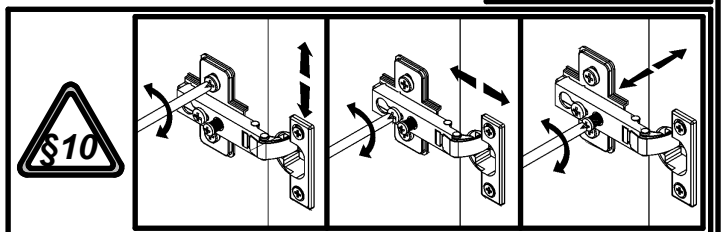
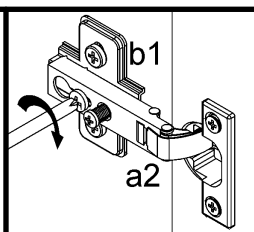
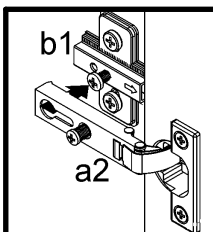
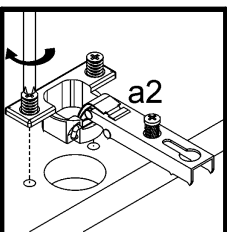
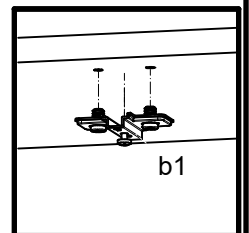
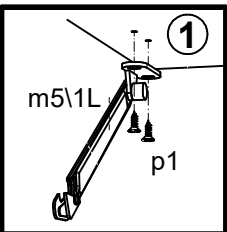
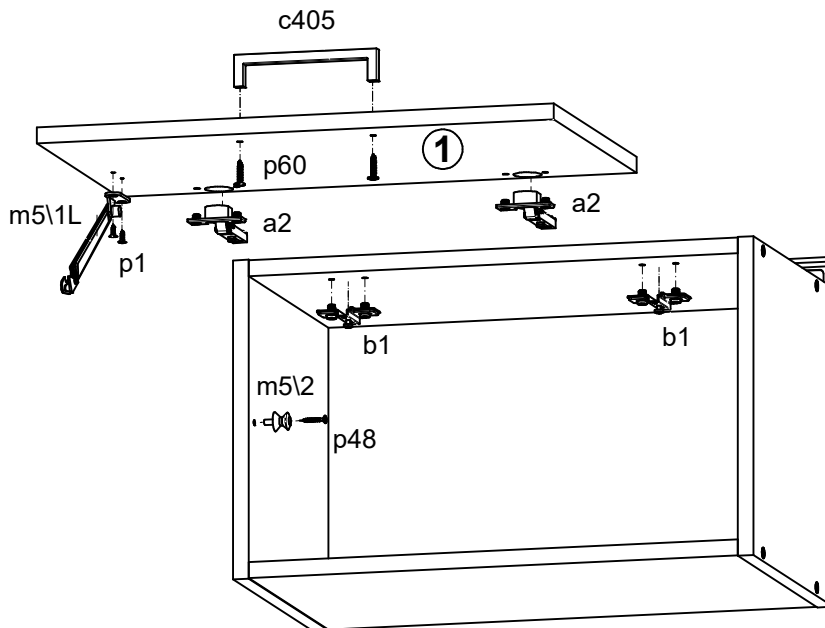
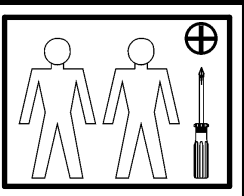
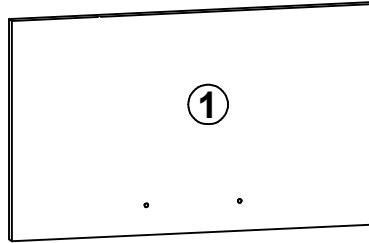
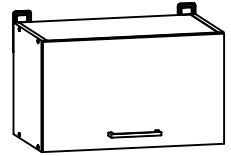
2 §6



3



| A | B | C | D |
|---|---------|-----|-----|
| 1 | K24-035 | 496 | 296 |
| | | | 2/2 |

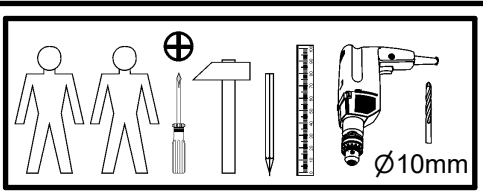
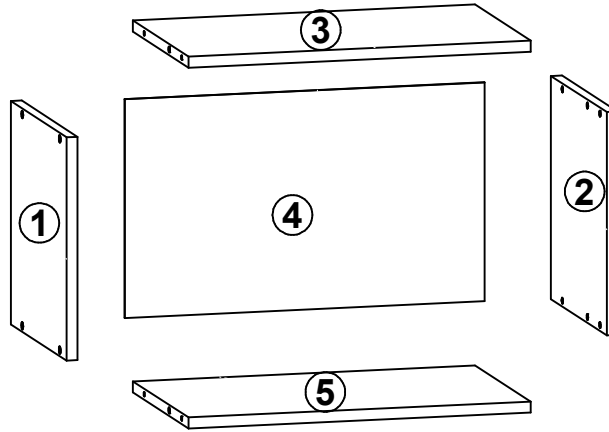
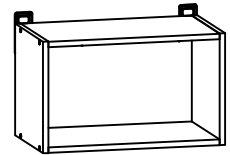


Junona Line

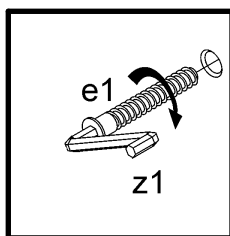
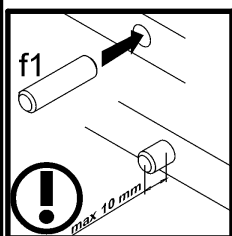
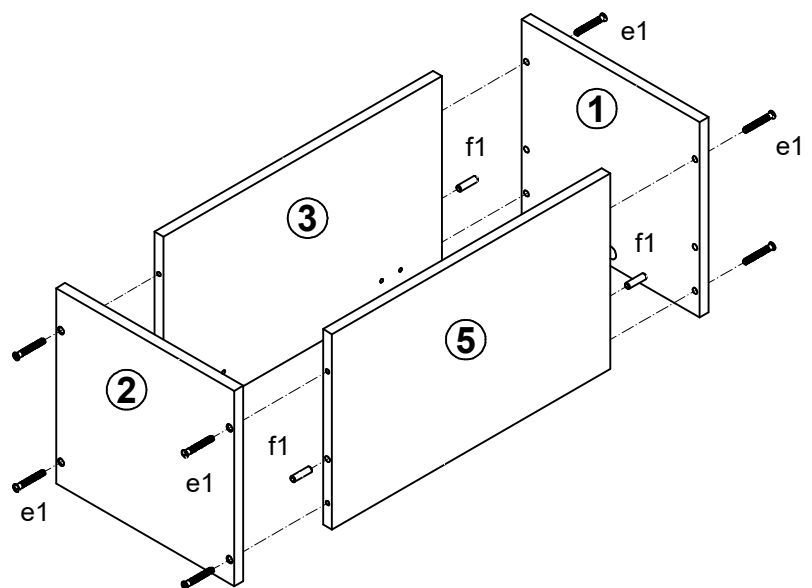
K24-GO/50/30

Moduł C50

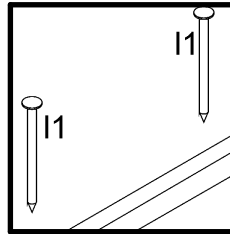
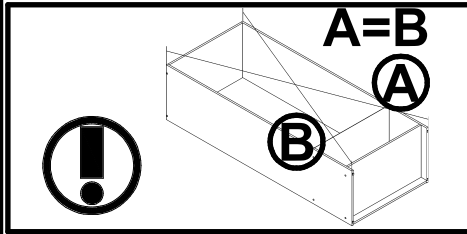
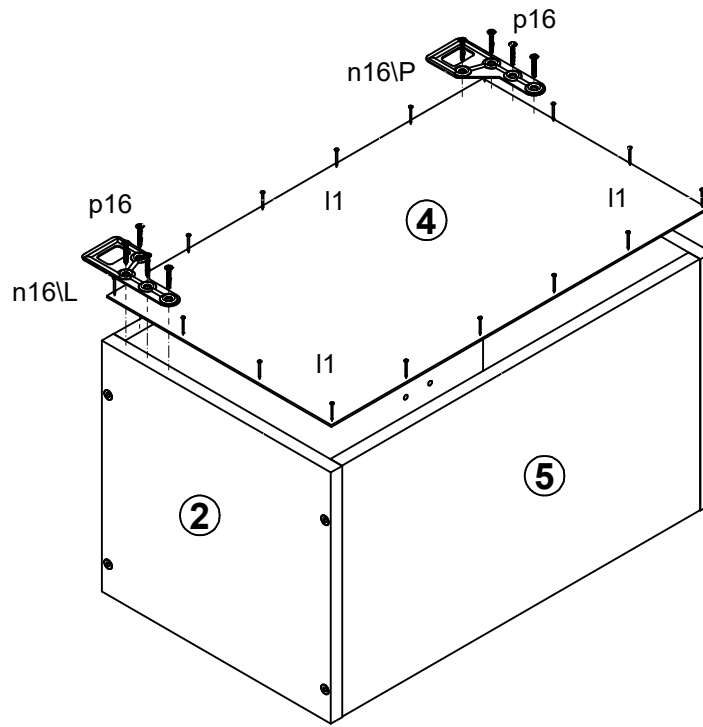
| A | B | C | D |
|---|---------|-----|-----|
| 4 | K22-924 | 493 | 294 |
| 1 | K24-118 | 300 | 285 |
| 2 | K24-119 | 300 | 285 |
| 5 | K24-314 | 469 | 285 |
| 3 | K24-335 | 469 | 285 |



| | | | | | | | | |
|--------|--------|----------------------|----------------------|--------------------|---------------------|--------------------|--------|--------|
| 2x | 2x | 1x | 8x Ø7x50 mm | 4x Ø8x30 mm | 2x Ø10x50 mm | 20x | 1x | 1x |
| 1x | 1x | 2x Ø3,5x13 mm | 8x Ø3,5x25 mm | 2x Ø4x22 mm | 2x Ø6x60 mm | 1x Ø3x25 mm | 1x | 4x |



2 



3

