

Junona Line

K24-D1D/50/82 L/P-frn

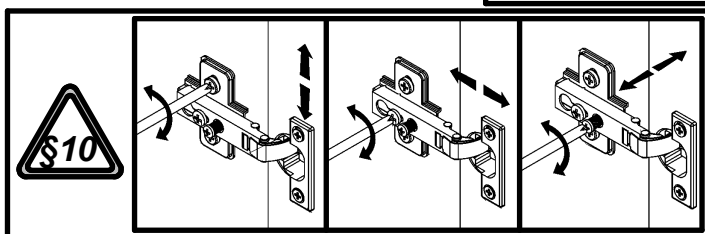
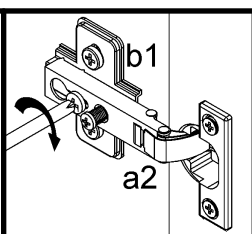
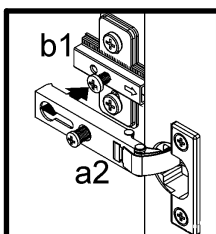
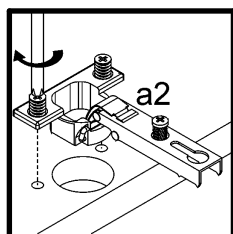
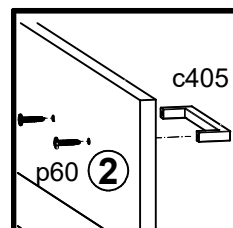
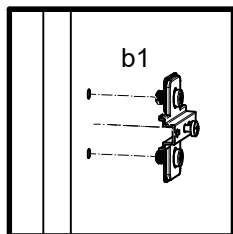
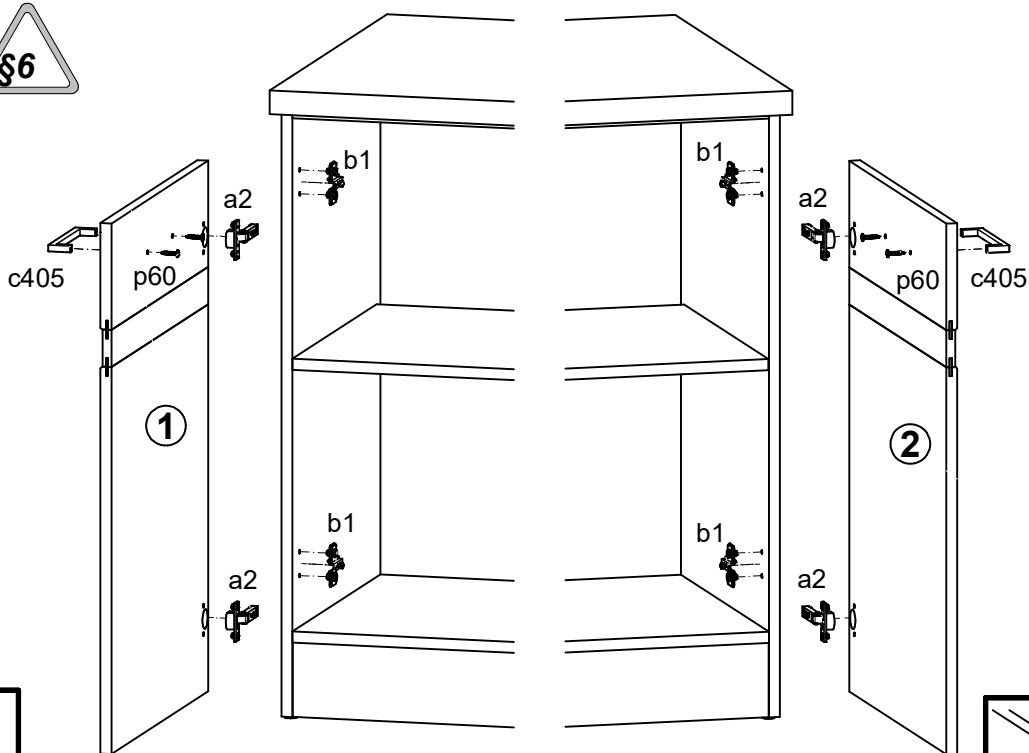
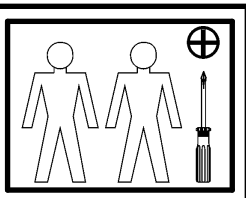
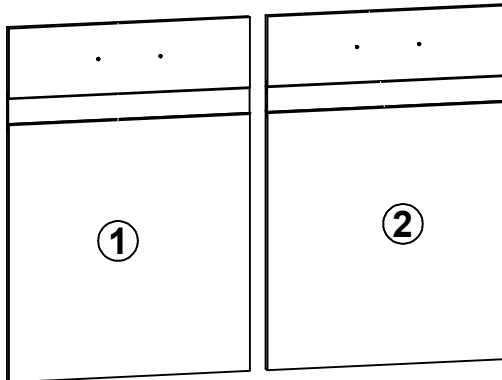
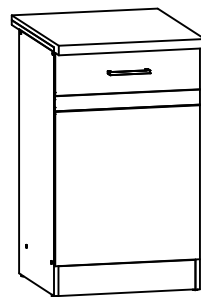
K24-D1D_50_82L-frn



| A | B | C | D |
|---|---------|------|----------|
| 1 | K24-022 | 496, | 713, 3/3 |

K24-D1D_50_82P-frn

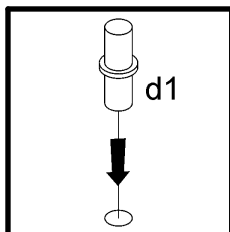
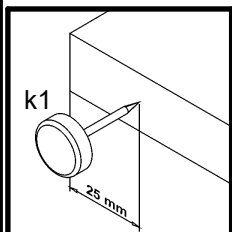
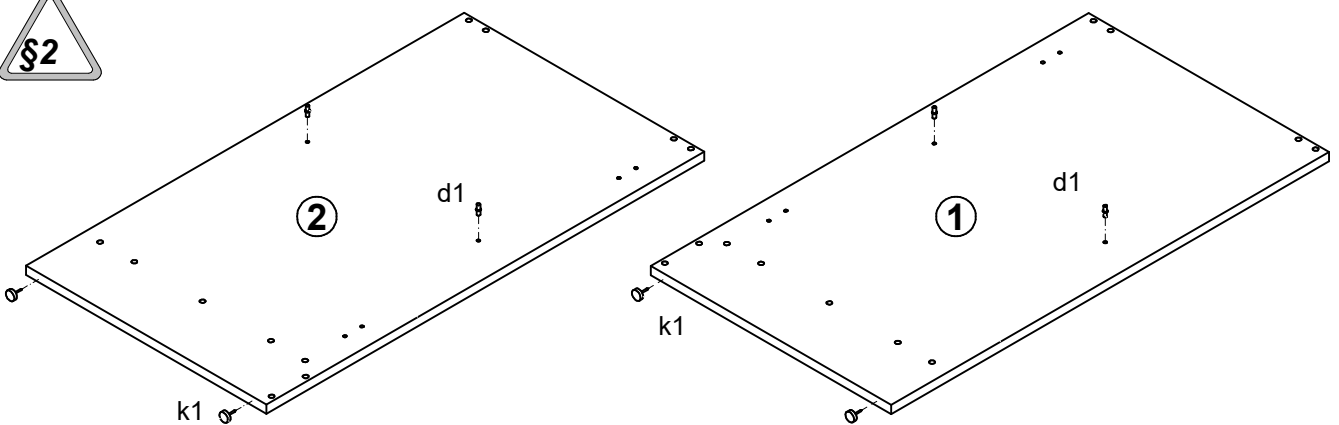
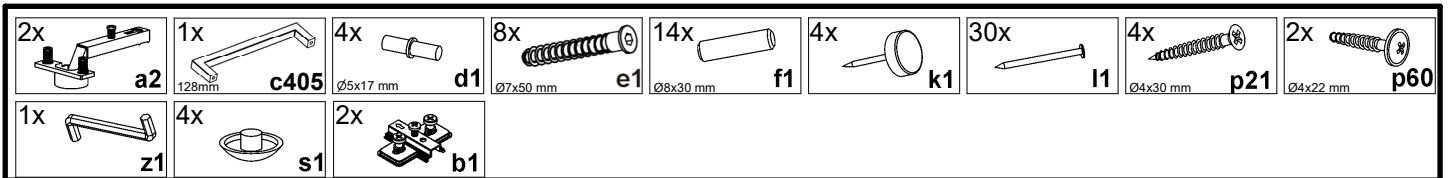
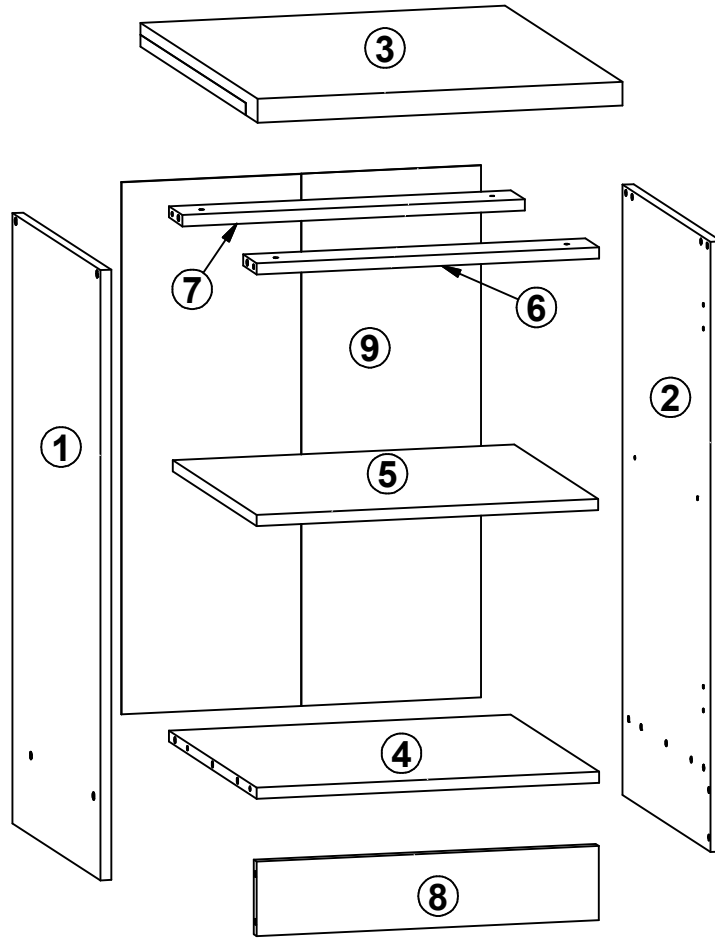
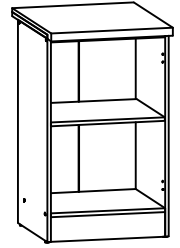
| A | B | C | D |
|---|---------|------|----------|
| 2 | K24-023 | 496, | 713, 3/3 |



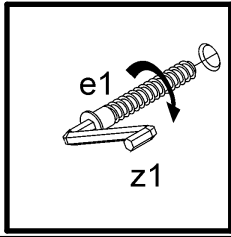
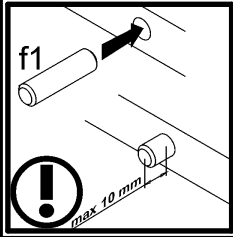
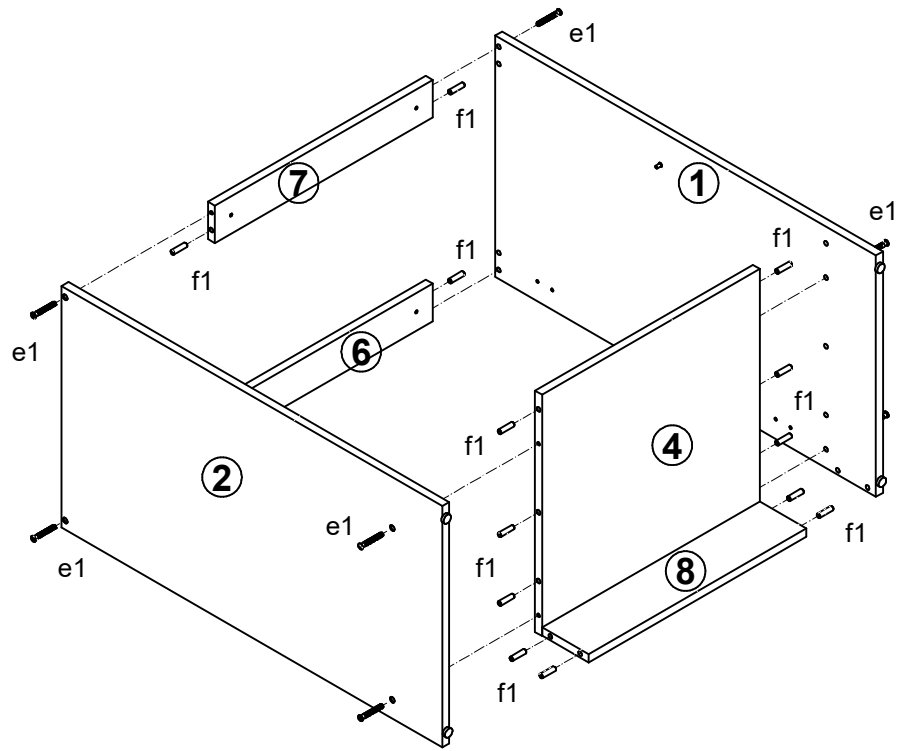
Junona Line

K24-D1D/50/82 L/P

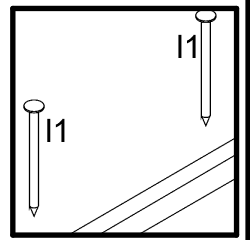
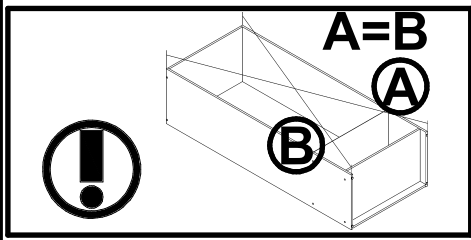
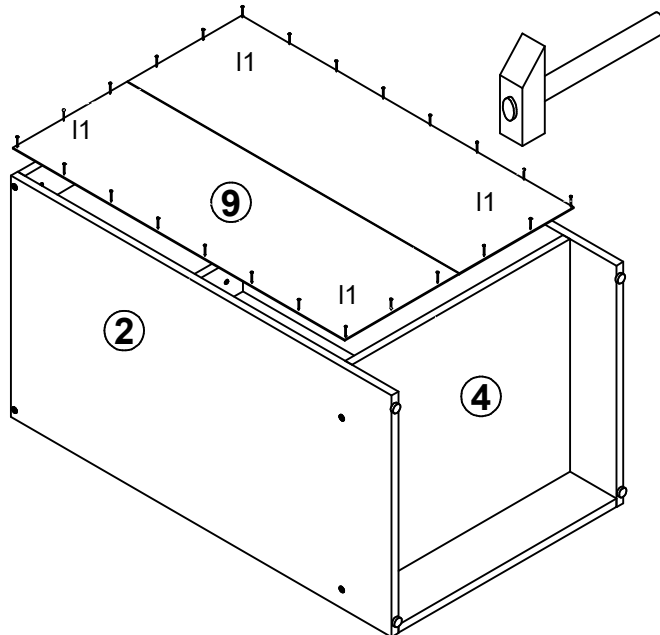
| A | B | C | D |
|---|---------|-----|-----|
| 1 | K24-107 | 820 | 450 |
| 2 | K24-108 | 820 | 450 |
| 3 | K24-201 | 500 | 600 |
| 4 | K24-303 | 469 | 450 |
| 5 | K24-304 | 468 | 430 |
| 6 | K24-402 | 469 | 70 |
| 7 | K24-403 | 469 | 70 |
| 8 | K24-404 | 469 | 100 |
| 9 | K22-916 | 715 | 493 |



2



3



4

