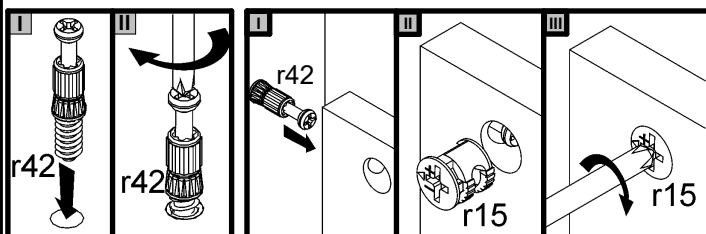
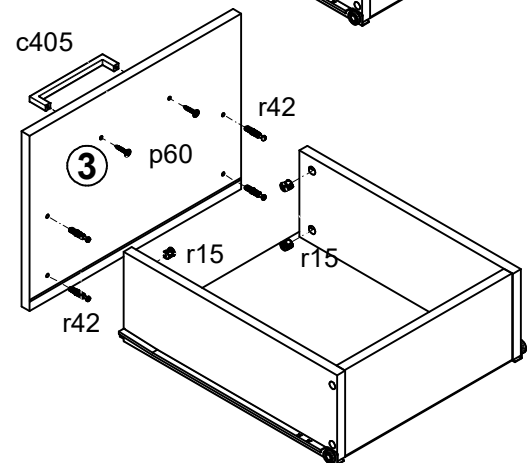
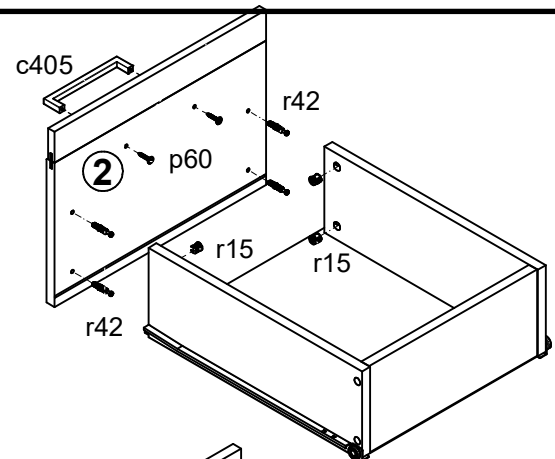
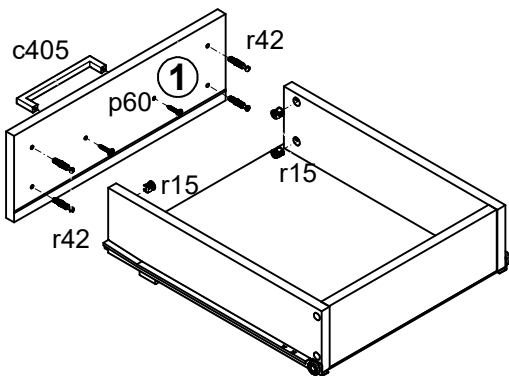
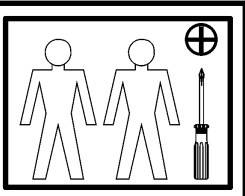
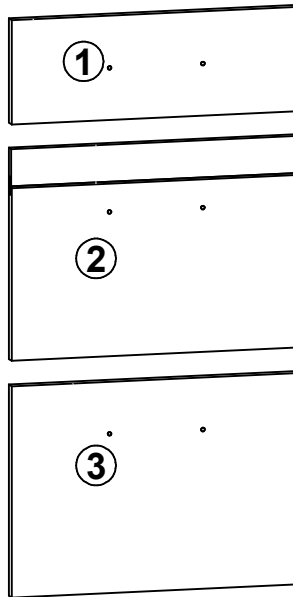
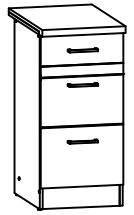


Junona Line

K24-D3S/40/82

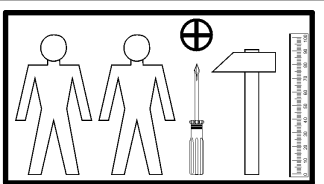
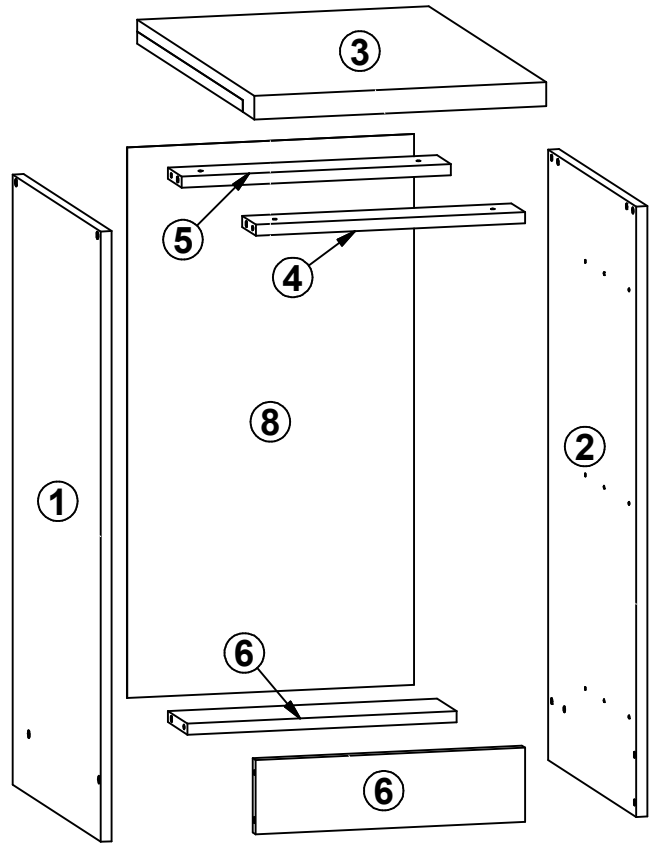
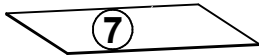
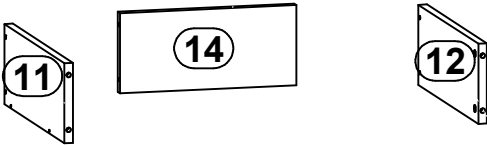
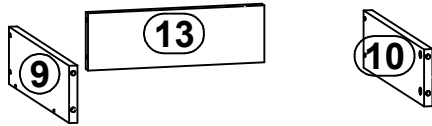
A	B	C	D
1	K24-032	396	140
2	K24-033	396,	284,
3	K24-034	396	284



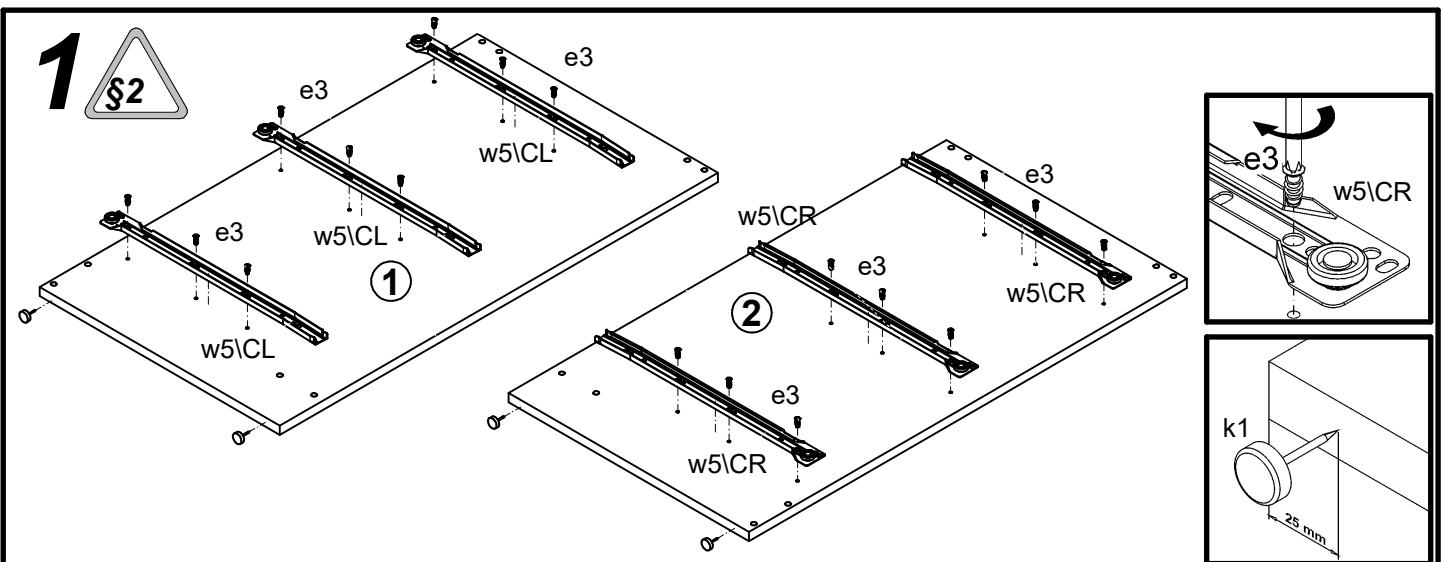
Junona Line

K24-D3S/40/82

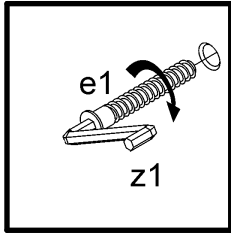
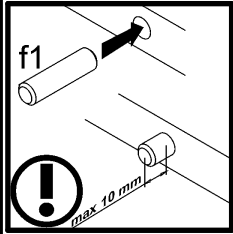
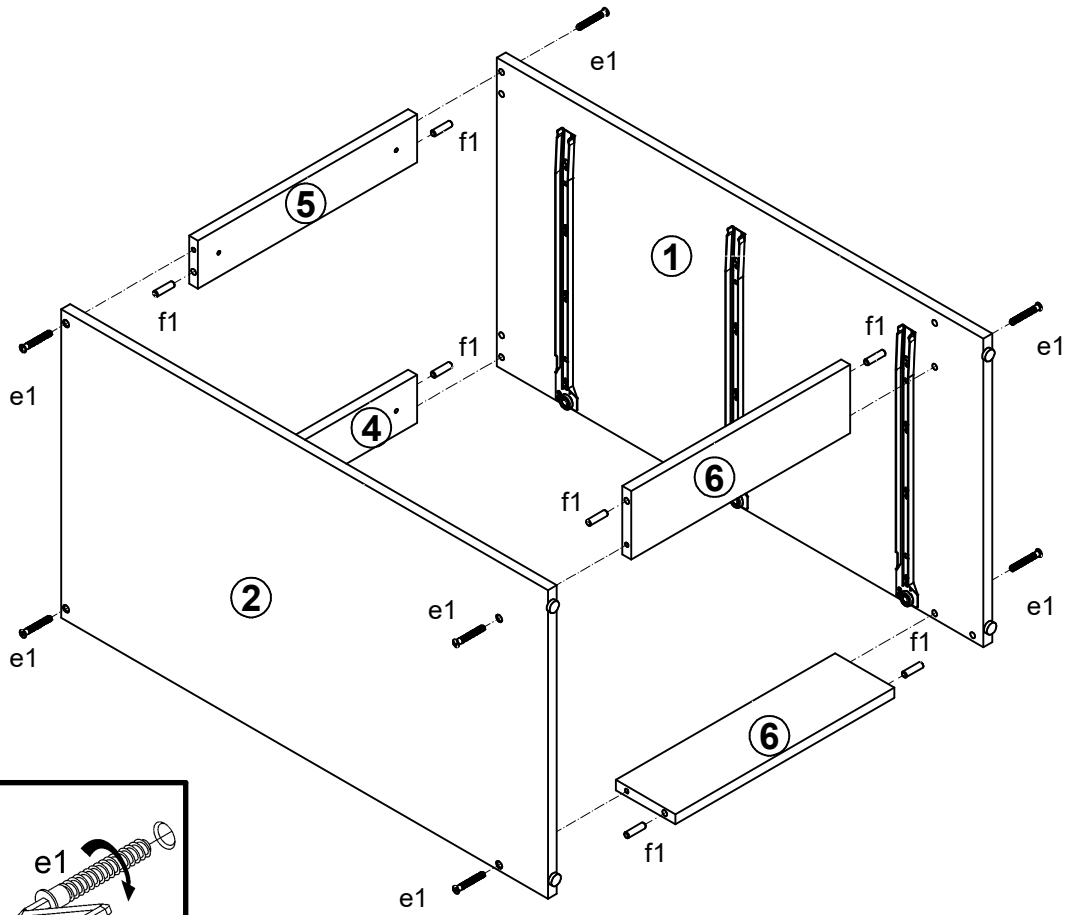
A	B	C	D	A	B	C	D		
1	K24-121	820	450	1/3	10	ZS3-520	400	100	1/3
2	K24-122	820	450	1/3	11	ZS3-527	400	140	1/3
3	K24-203	400	600	2/3	12	ZS3-528	400	140	1/3
4	K24-411	369	70	1/3	13	ZS3-5527	314	100	1/3
5	K24-412	369	70	1/3	14	ZS3-5532	314	140	1/3
6	K24-421	369	100	1/3					
7	K22-922	406	342	1/3					
8	K22-923	740	393	1/3					
9	ZS3-519	400	100	1/3					



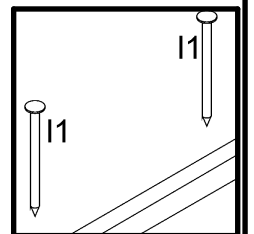
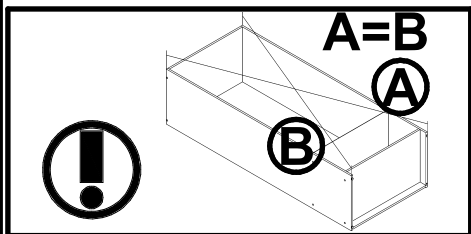
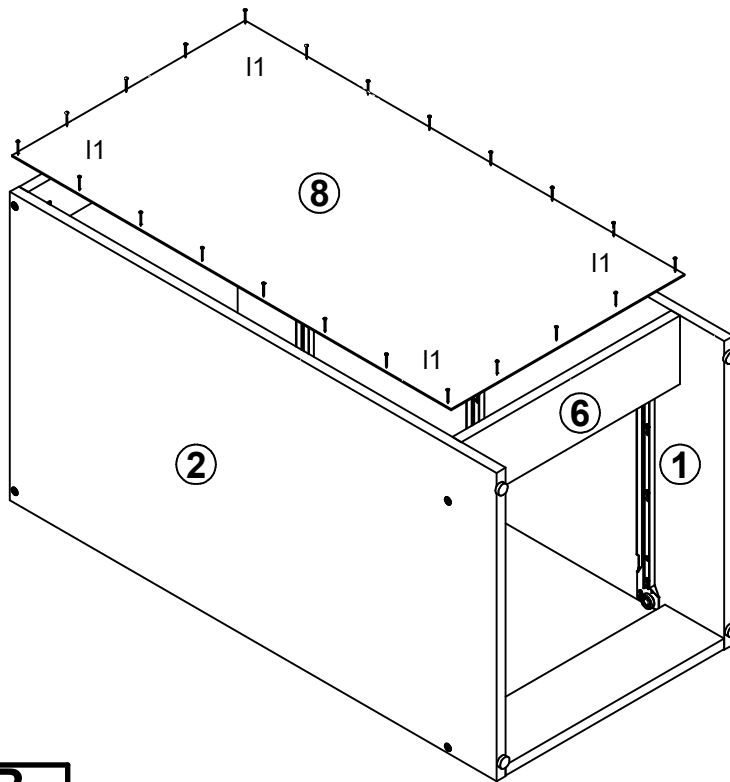
3x 128mm c405	8x Ø7x50 mm e1	12x Ø5x9 mm e19	18x Ø6x13 mm e3	8x Ø8x30 mm f1	12x Ø6,5x40 mm f25	4x k1	25x l1	4x Ø4x30 mm p21
9x Ø3,5x16 mm p38	6x Ø4x22 mm p60	12x Ø12x10,5 mm #12 r15	12x r42	3x 400 mm w5\CL	3x 400 mm w5\CR	3x 400 mm w5\DL	3x 400 mm w5\DR	1x z1
4x s1								



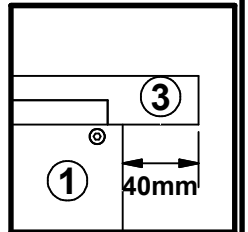
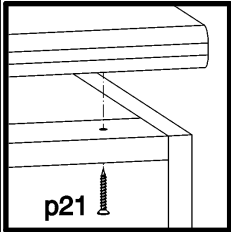
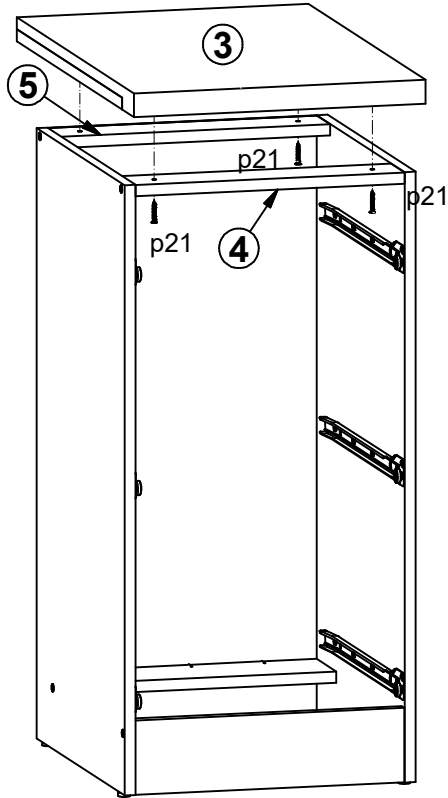
2



3

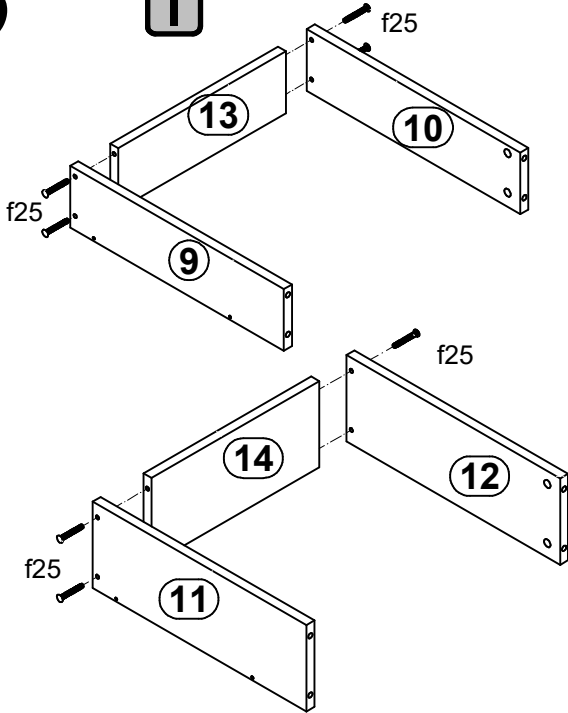


4



5

I



II

