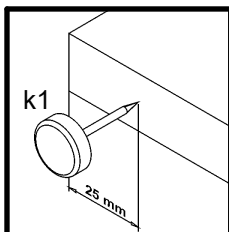
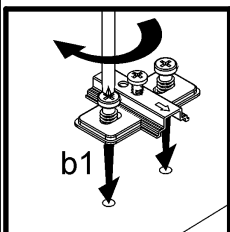
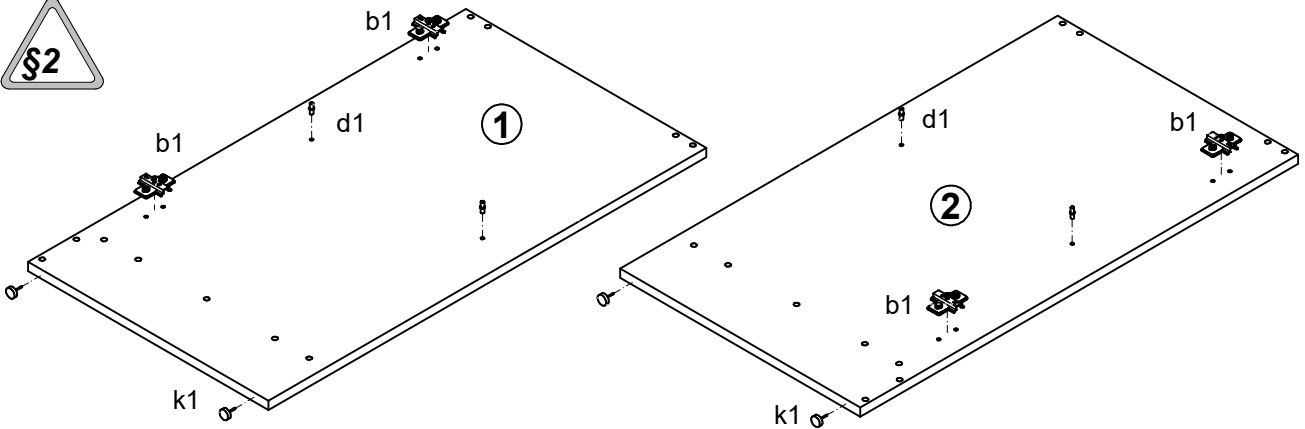
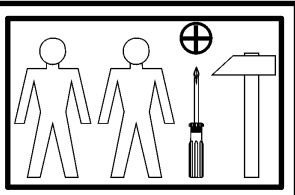
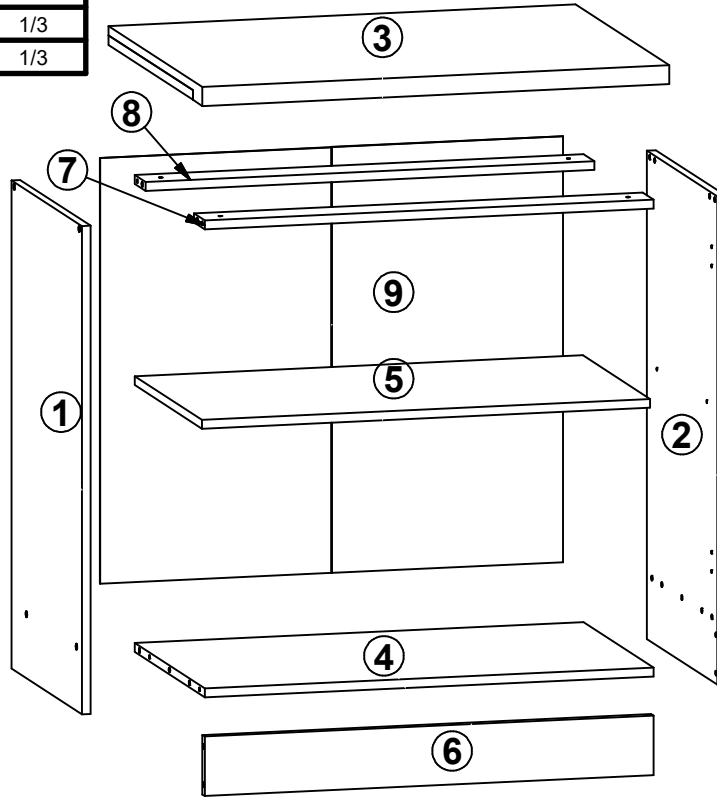
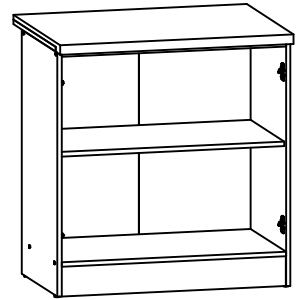


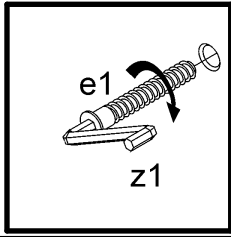
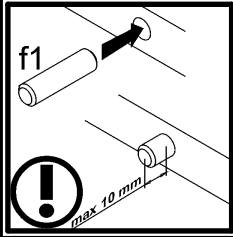
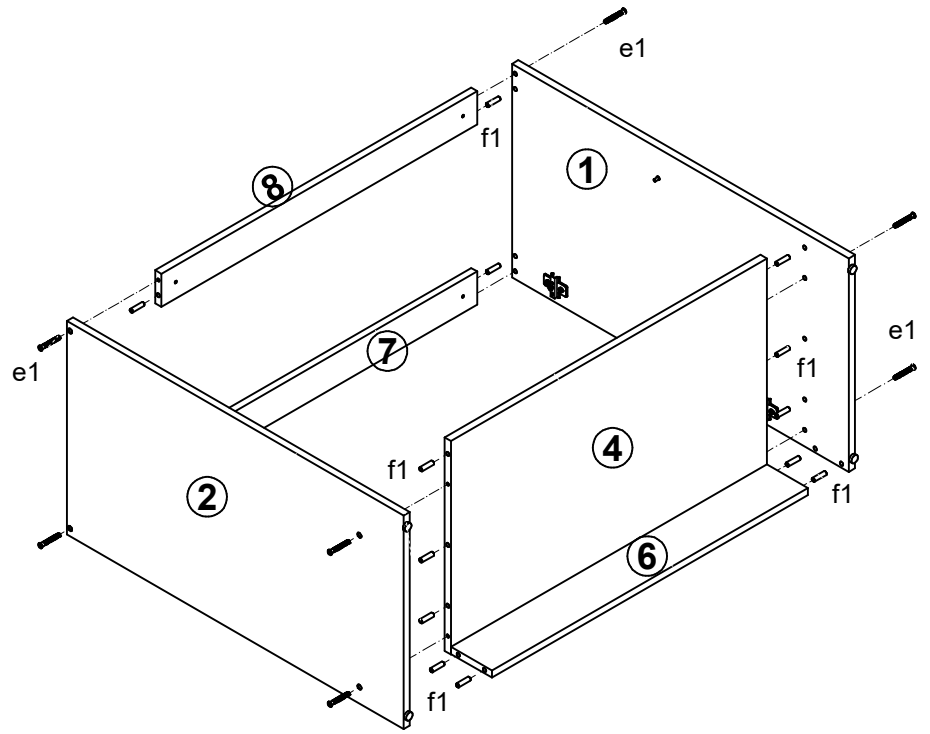
# Junona Line

K24-D2D/80/82

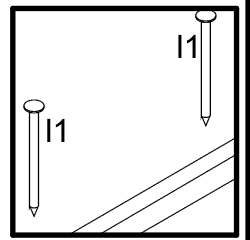
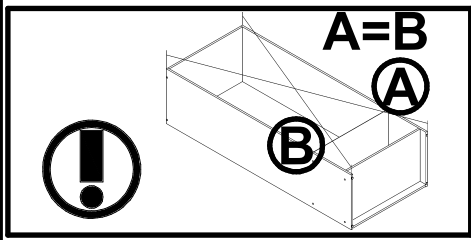
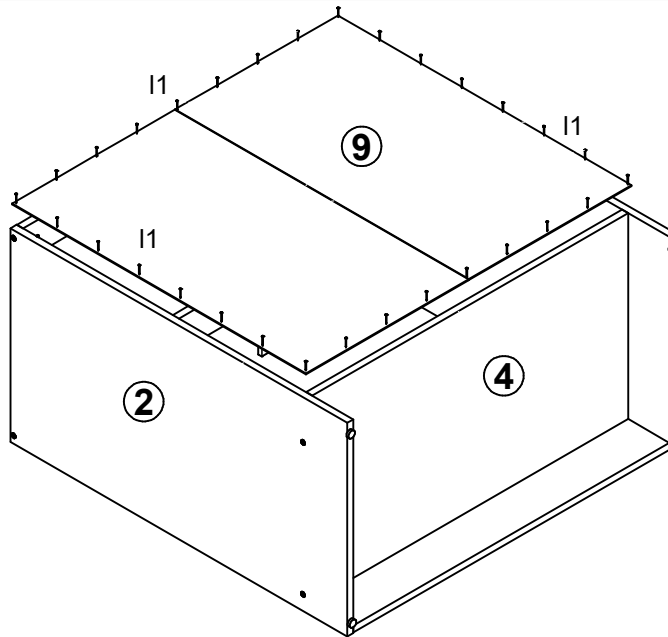
A	B	C	D
1	K24-107	820	450 1/3
2	K24-108	820	450 1/3
3	K24-205	800	600 2/3
4	K24-327	769	450 1/3
5	K24-333	768	430 1/3
6	K24-417	769	100 1/3
7	K24-419	769	70 1/3
8	K24-420	769	70 1/3
9	K22-921	715	793 1/3



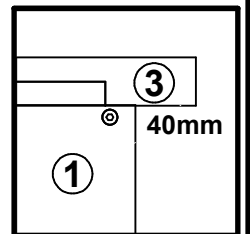
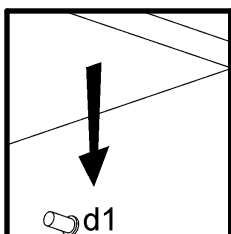
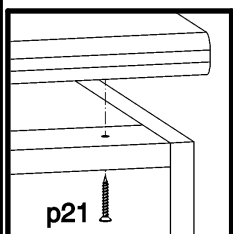
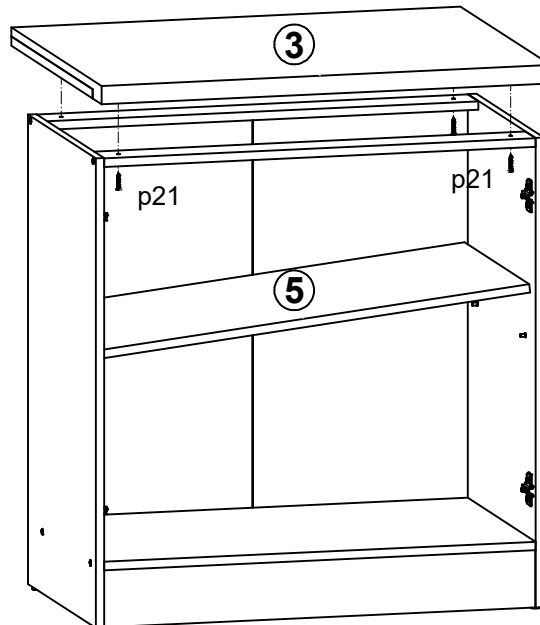
**2** 



**3**



**4**



# Junona Line K24-DK2D/80/82-frn K24-D2D/80/82-frn Moduł A , A + A1

A	B	C	D
K24-DK2D/80/82-frn			
K24-D2D/80/82-frn			
1	K24-020	396	713 2/2
2	K24-021	396, 713,	2/2
Moduł A , A + A1			
1	K24-020	396	713 3/3
2	K24-021	396, 713,	3/3

