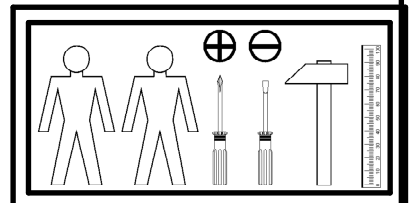
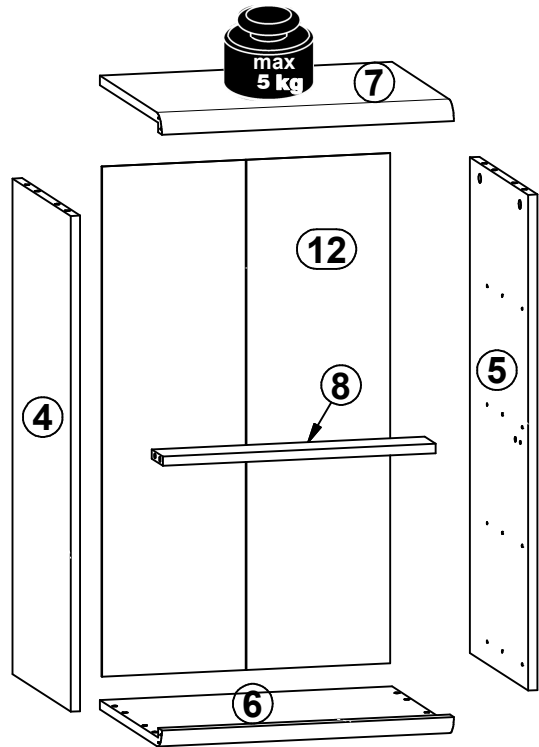
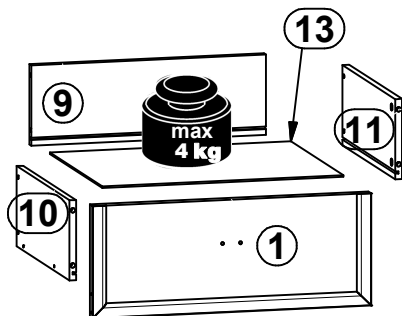
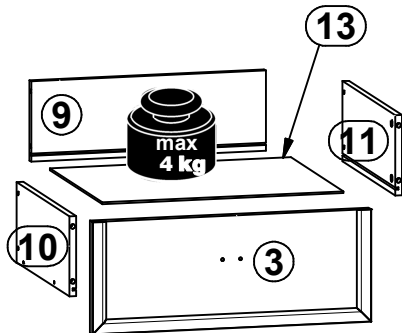
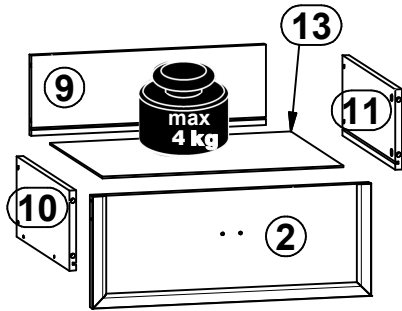
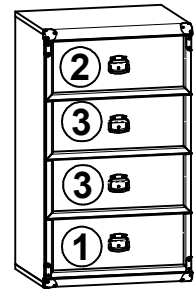
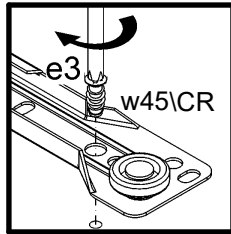
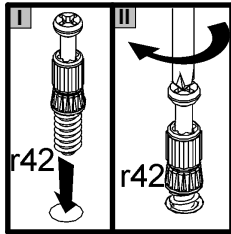
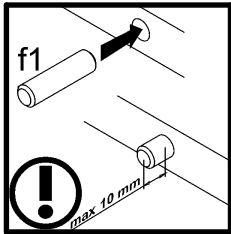
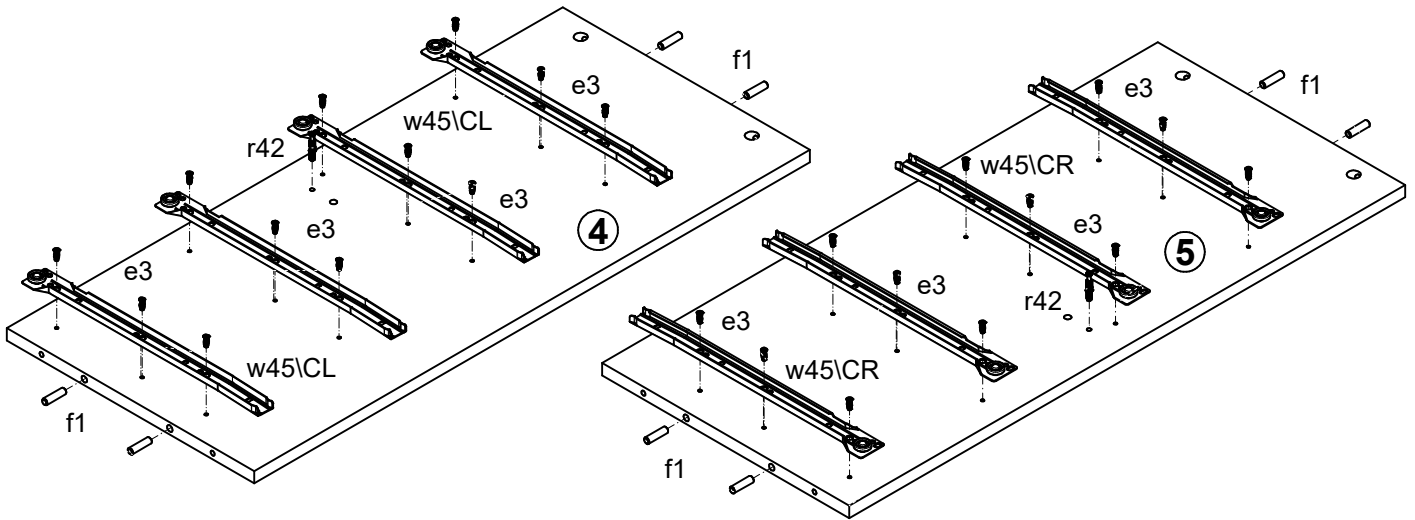


A	B	C	D	
1	S31-011	496	196	3/3
2	S31-007	496	196	3/3
3	S31-012	496	196	3/3
4	S31-109 A	832	370	1/3
5	S31-110 A	832	370	1/3
6	S31-204	500	395	2/3
7	S31-203	500	395	2/3
8	S31-430	467	70	1/3
9	S31-506	418	140	1/3
10	S31-504	350	140	1/3
11	S31-505	350	140	1/3
12	S31-908	856	493	1/3
13	S31-903	429	348	1/3

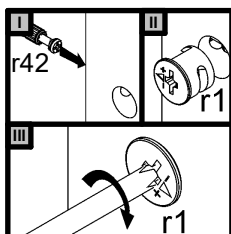
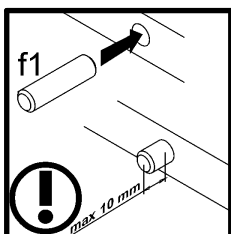
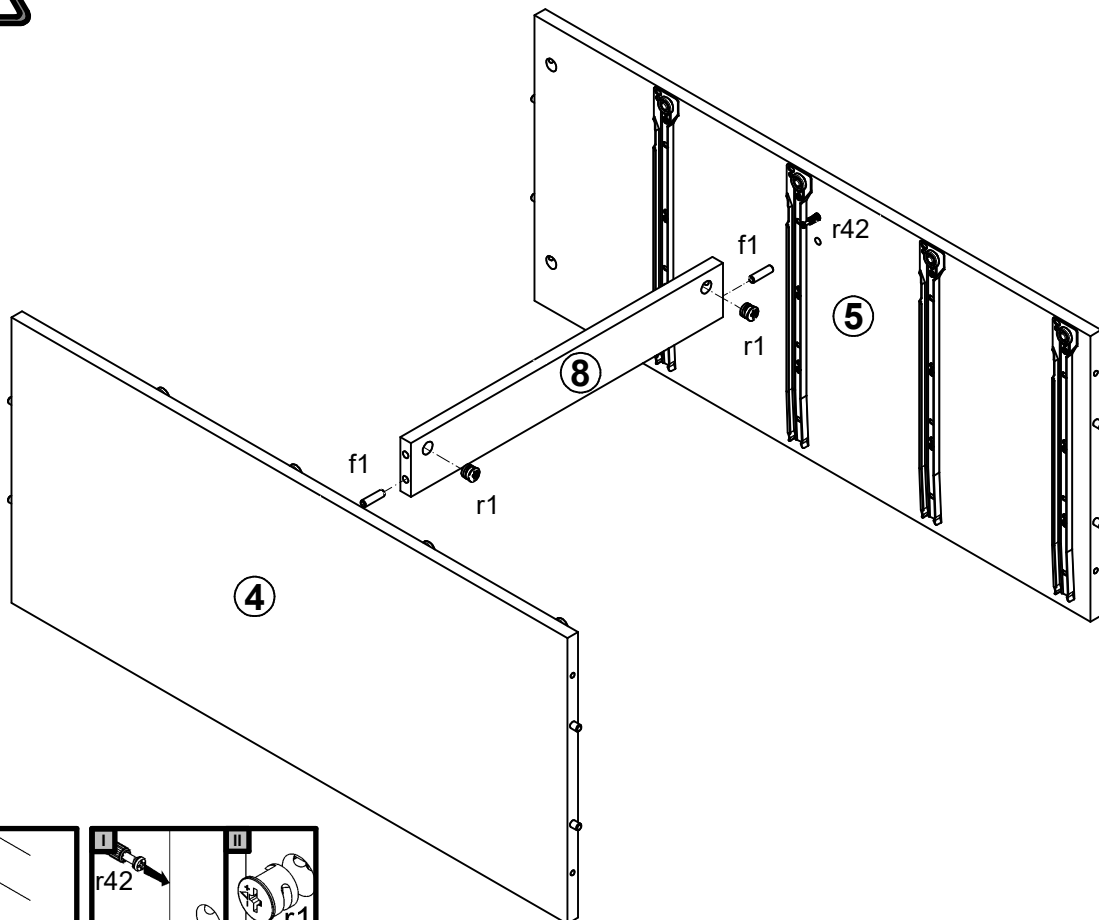


4x  c158	4x  e1 Ø7x50 mm	24x  e3 Ø6x13 mm	16x  e19 Ø5x9 mm	10x  f1 Ø8x30 mm	16x  f25 Ø6,5x40 mm	8x  j30 M4x22 mm	4x  k22 Ø15	30x  l1
4x  I27	2x  I28/L	2x  I28/P	16x  p83 Ø3x12 mm	6x  r1 Ø15x12 mm #16	16x  r15 Ø12x10,5 mm #12	22x  r42 20#11	4x  w45/CL 350 mm	4x  w45/CR 350 mm
4x  w45/DL 350 mm	4x  w45/DR 350 mm	2x  s2 Ø16	1x  z1 4 mm			1x  n26/l1	1x  p38 Ø3,5x16 mm	

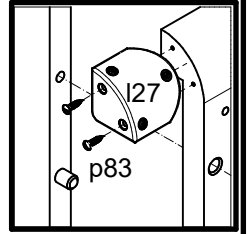
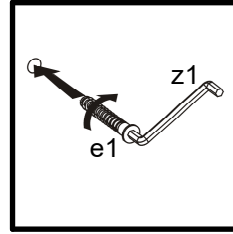
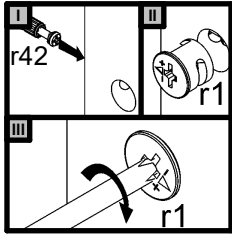
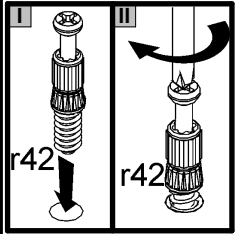
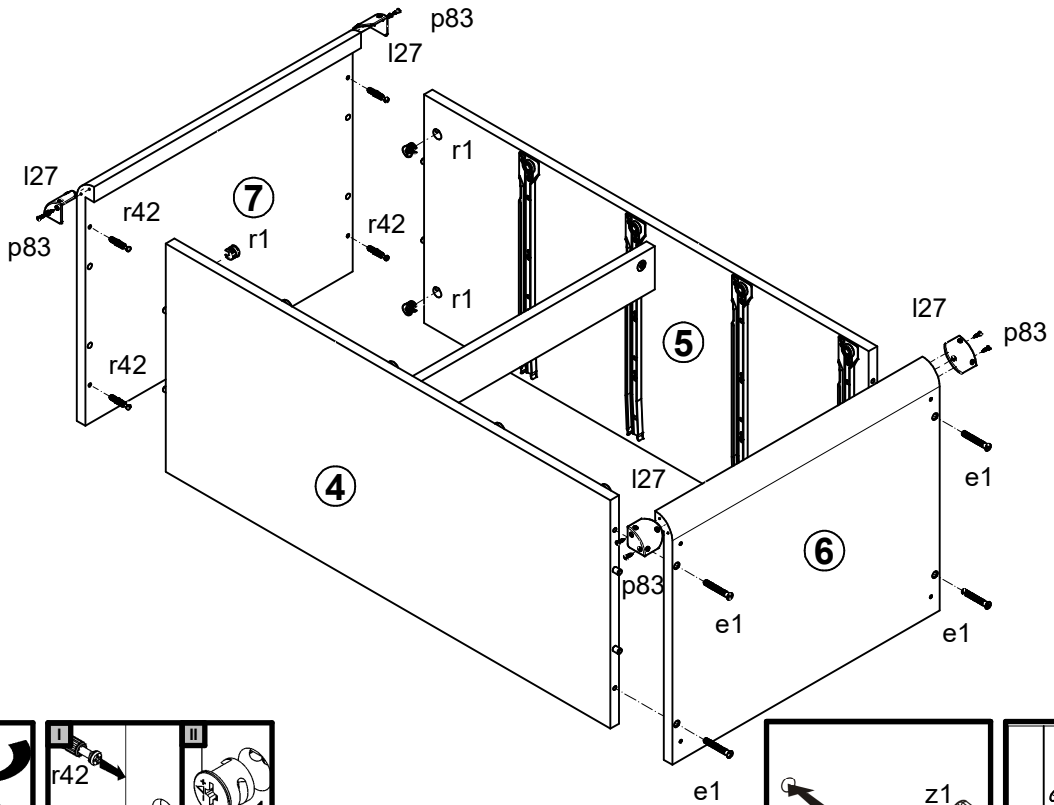
# 1



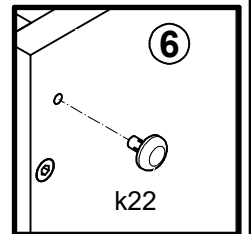
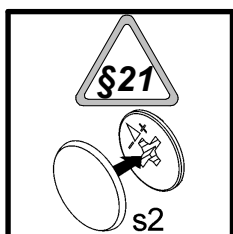
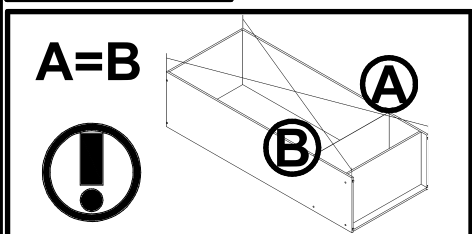
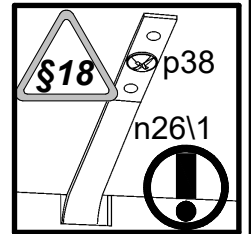
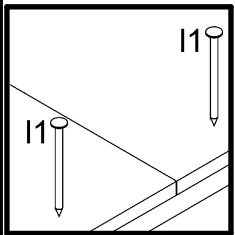
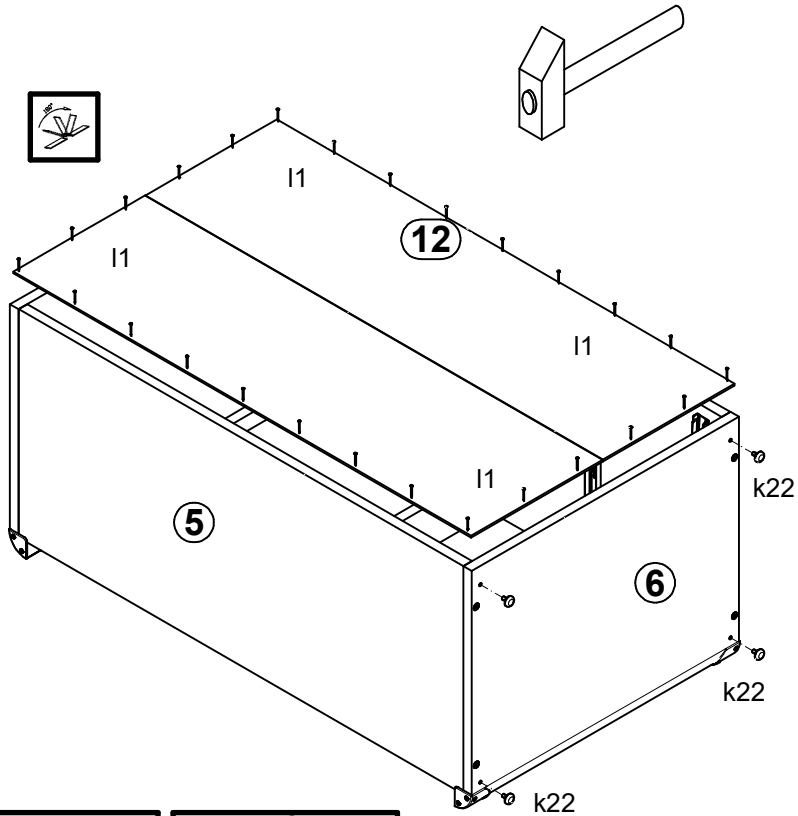
# 2



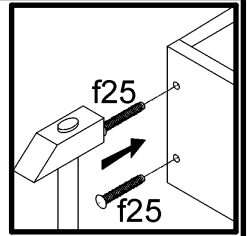
# 3



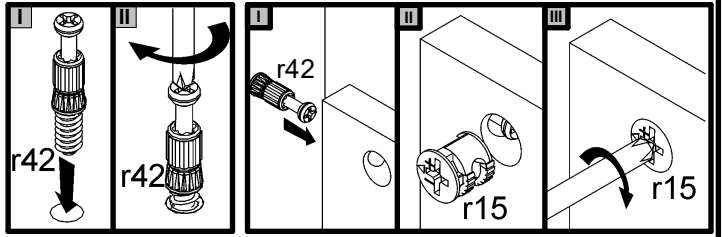
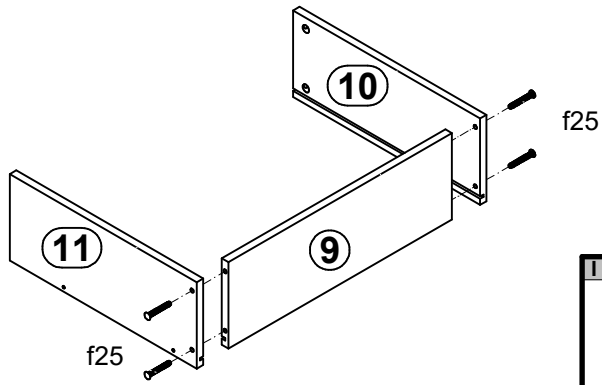
# 4



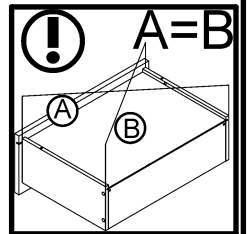
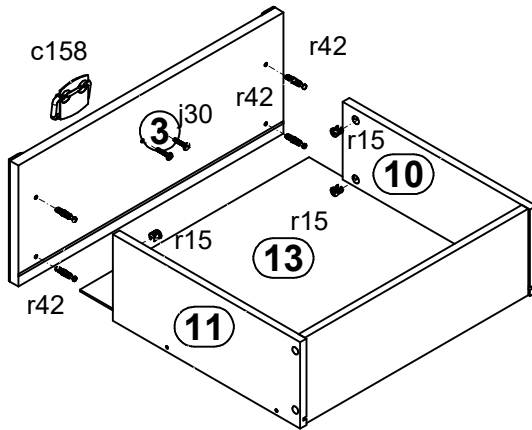
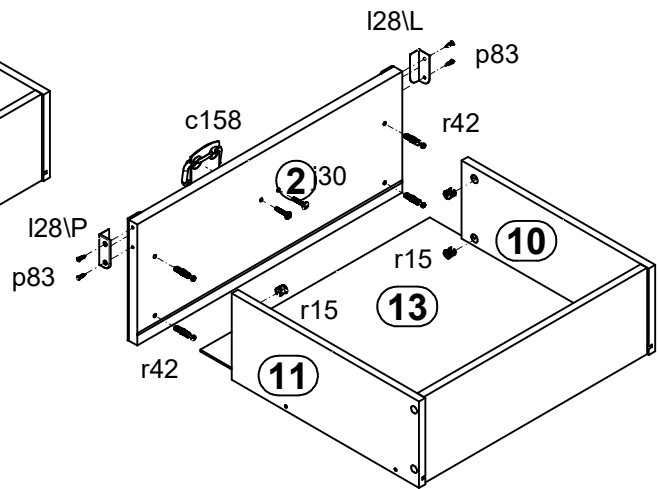
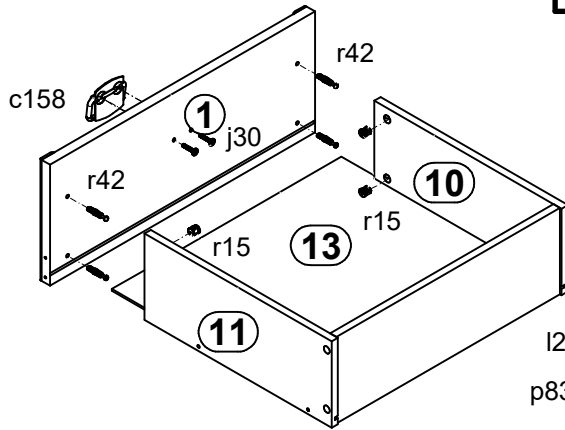
# 5



I



II



III

