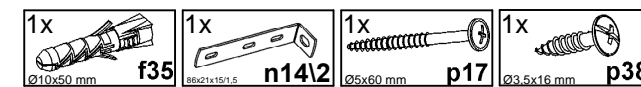
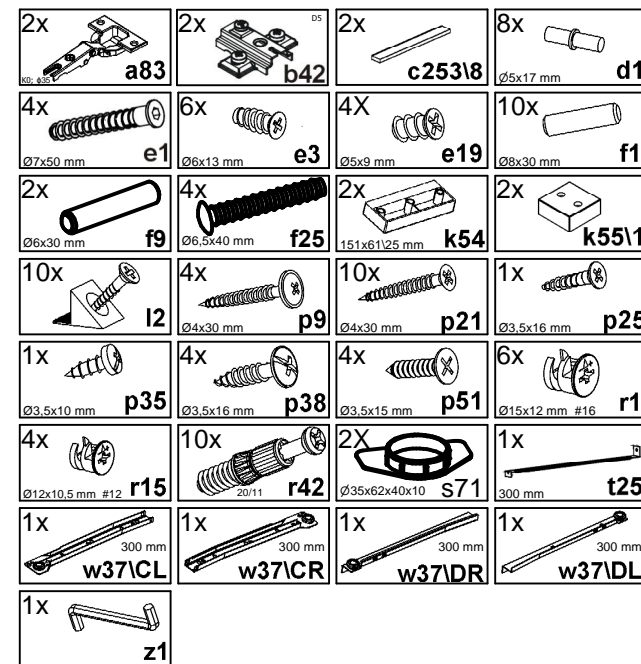
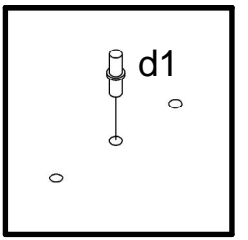
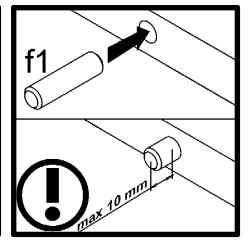
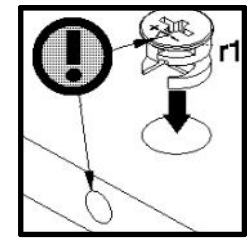
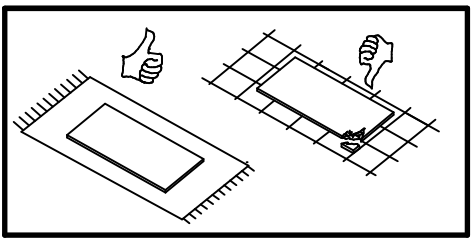
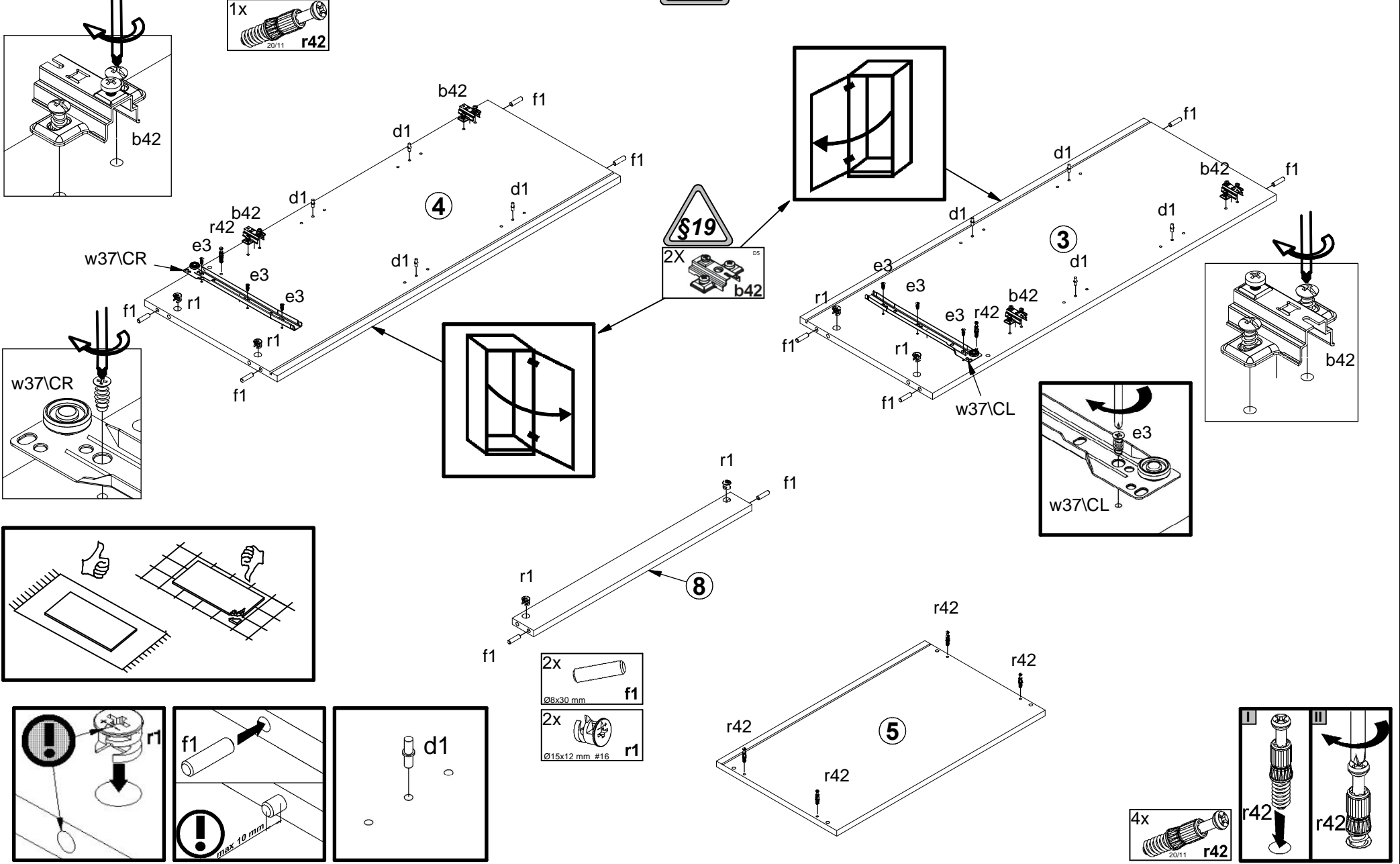


A	B	C1	C2	C3	D
1	M247-0002	803	636	16	2/2
2	M247-0003	180,	636,	16,	2/2
3	M247-1003	960	370	15	1/2
4	M247-1004	960	370	15	1/2
5	M247-2001	640	370	15	1/2
6	M247-2002	640	370	15	1/2
7	M247-3002	608	350	15	1/2
8	M247-4001	609	60	15	1/2
9	M247-9302	970	619,	2,5	1/2
10	WSP-9284	582	308	2,5	1/2
11	ZS7-5026	560	110	15	1/2
12	ZS7-523	300	110	12	1/2
13	ZS7-524	300	110	12	1/2

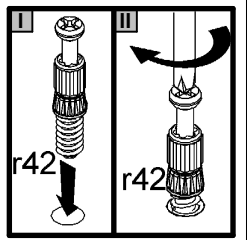


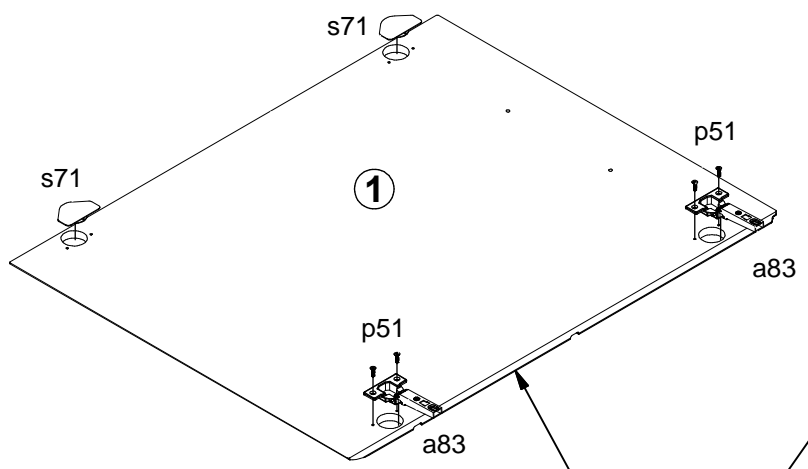
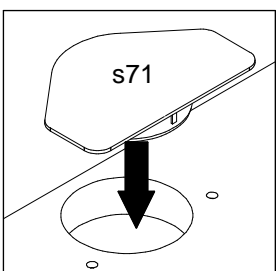
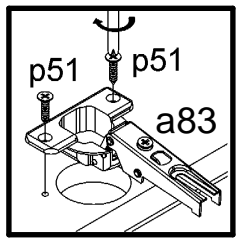
- 4x $\varnothing 8 \times 30$ mm f1
- 2x $\varnothing 15 \times 12$ mm #16 r1
- 4x $\varnothing 5 \times 17$ mm d1
- 1x 300 mm w37\CR
- 3x $\varnothing 6 \times 13$ mm e3
- 1x 20/11 r42
- 1x 20/11 r42
- 1x 300 mm w37\CL
- 4x $\varnothing 8 \times 30$ mm f1
- 2x $\varnothing 15 \times 12$ mm #16 r1
- 4x $\varnothing 5 \times 17$ mm d1





- 2x $\varnothing 8 \times 30$ mm f1
- 2x $\varnothing 15 \times 12$ mm #16 r1


- 4x 20/11 r42




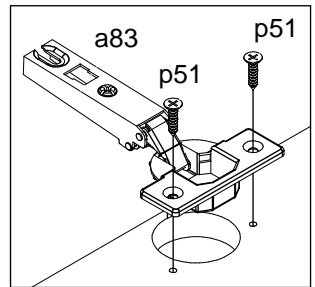
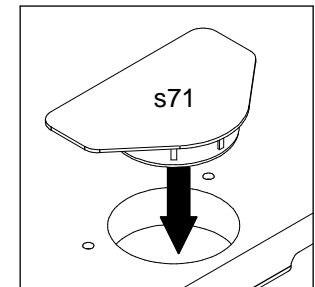
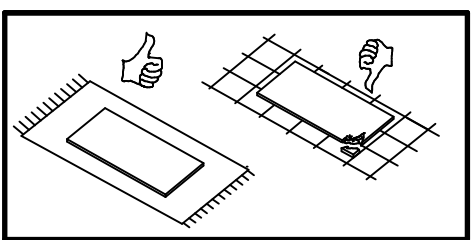
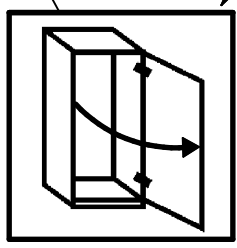
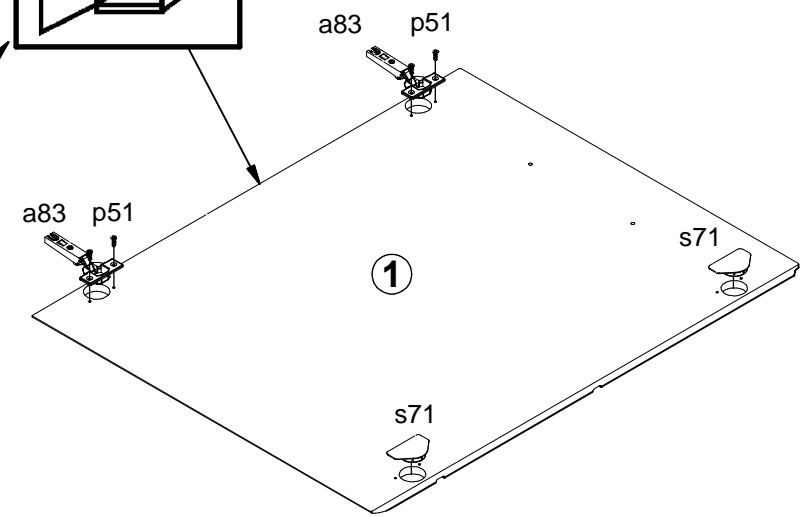
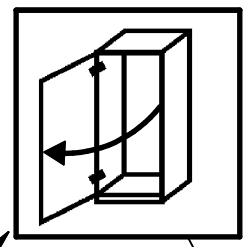




 2X  s71
 Ø35x62x40x10

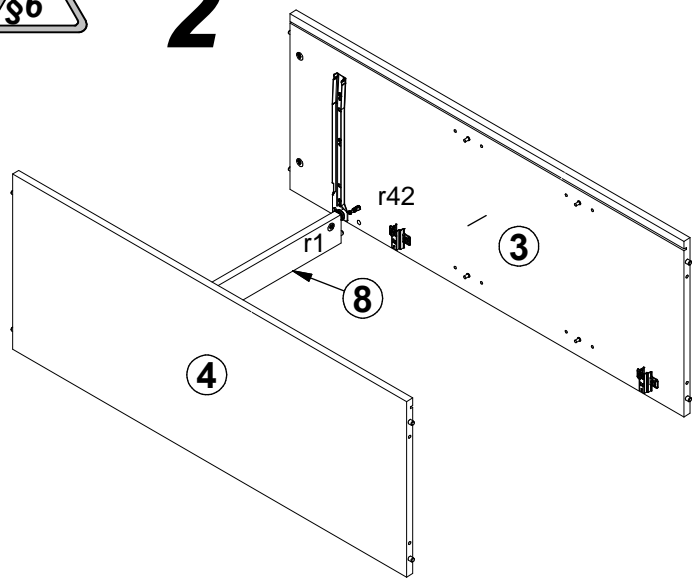
4X  p51
 Ø3,5x15 mm

2X  a83
 K0:455

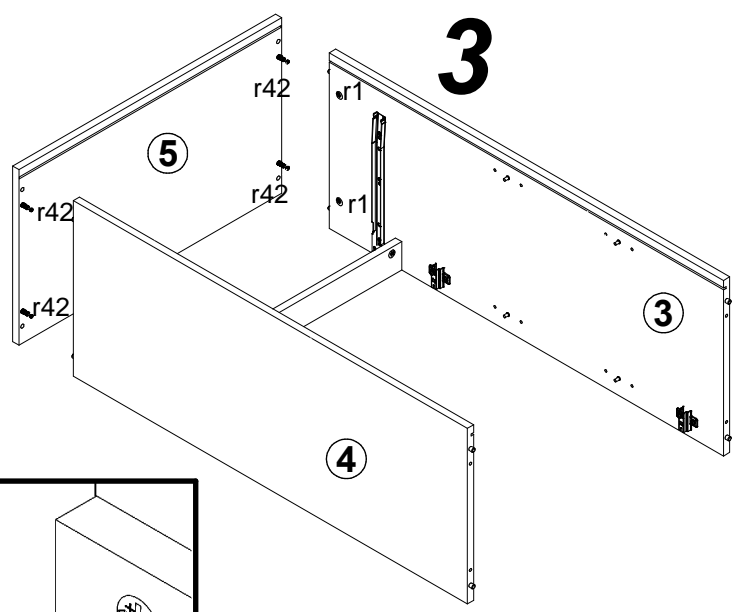




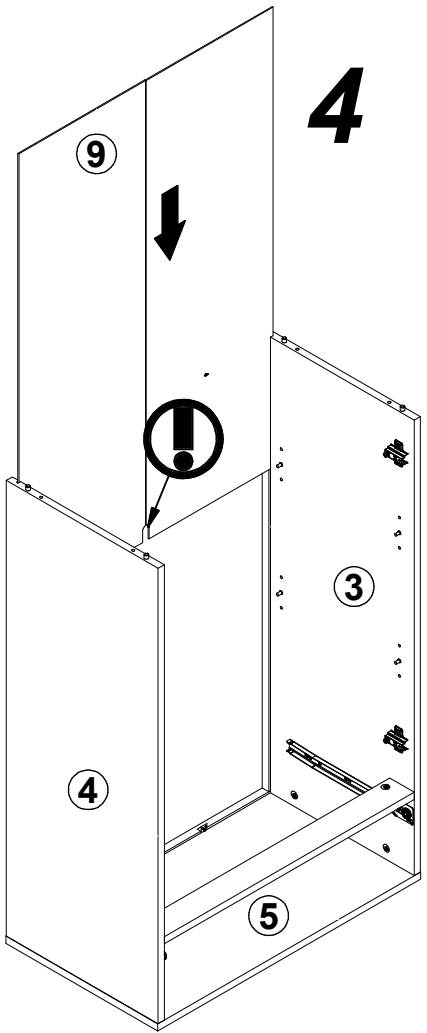
2



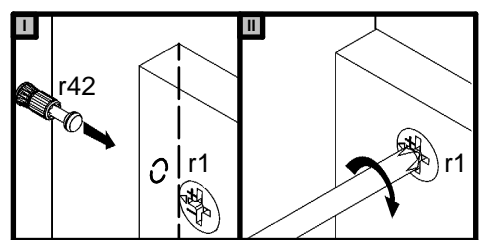
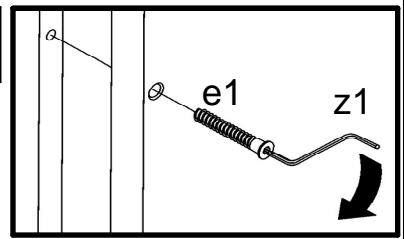
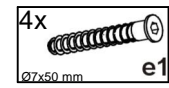
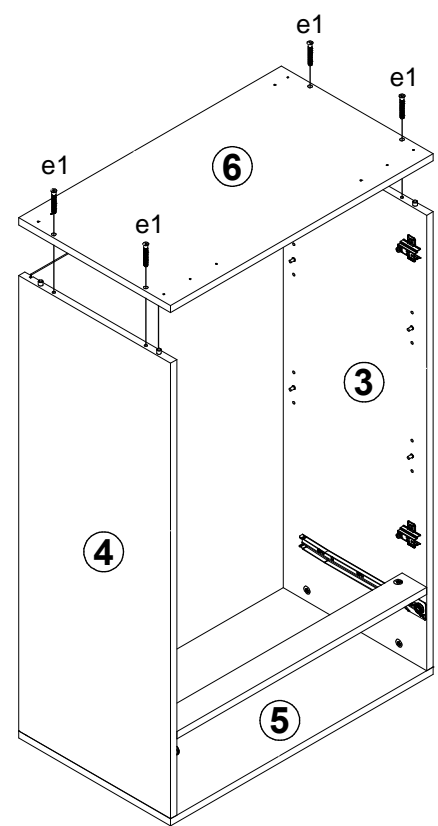
3

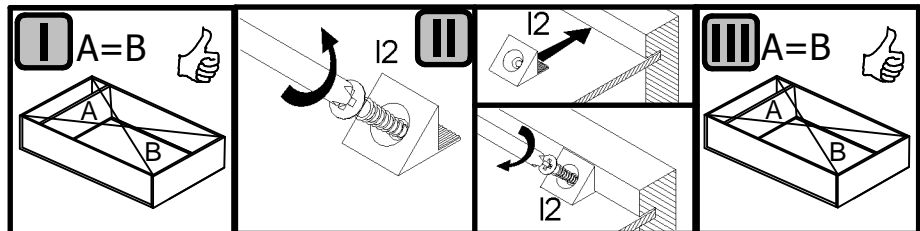
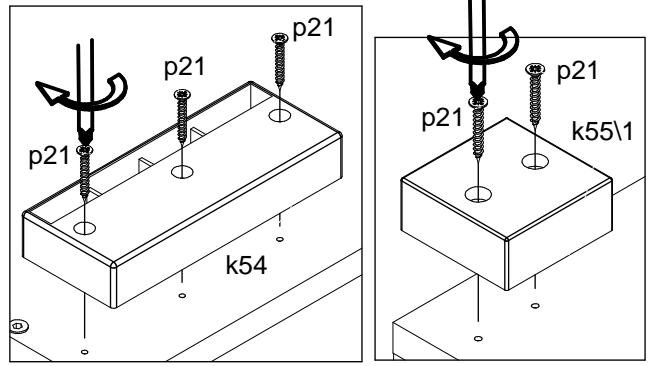


4

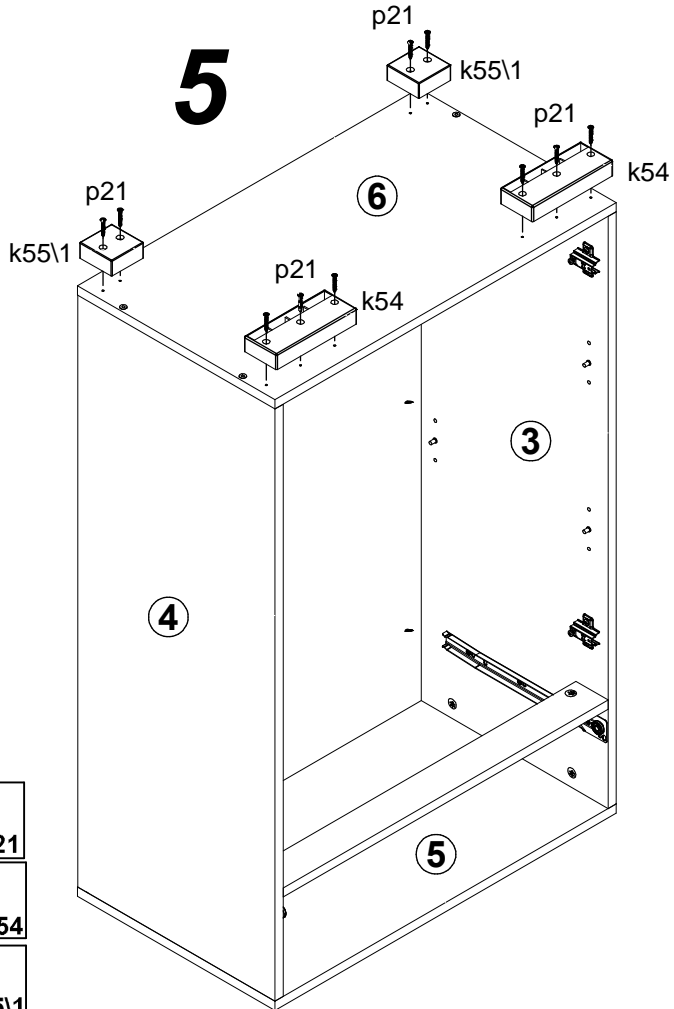


5

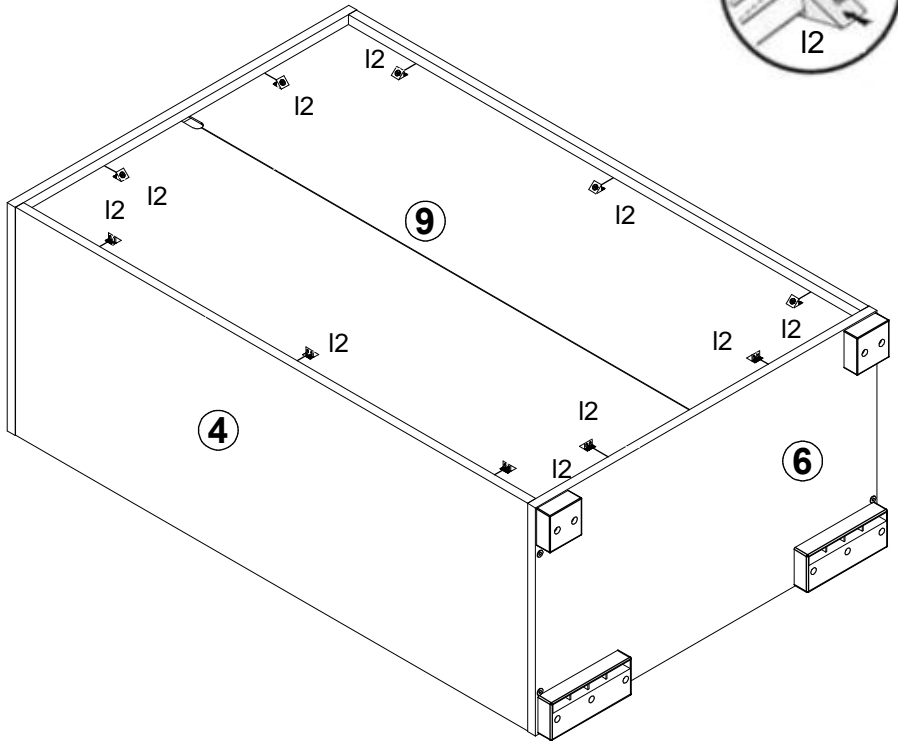







5

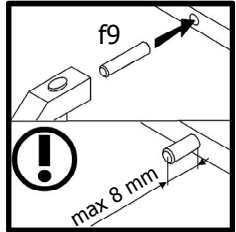
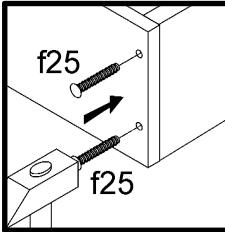


6

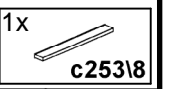
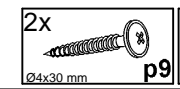
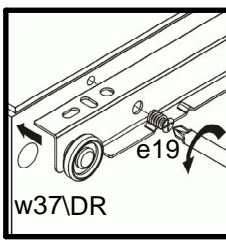
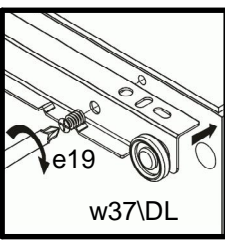
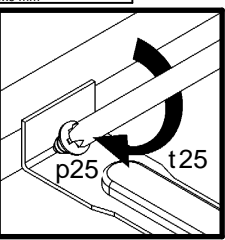
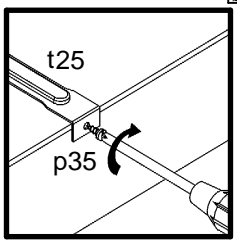
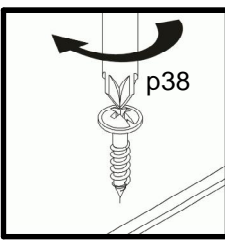
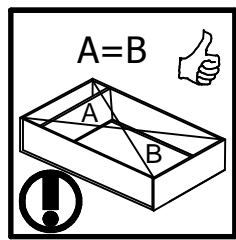
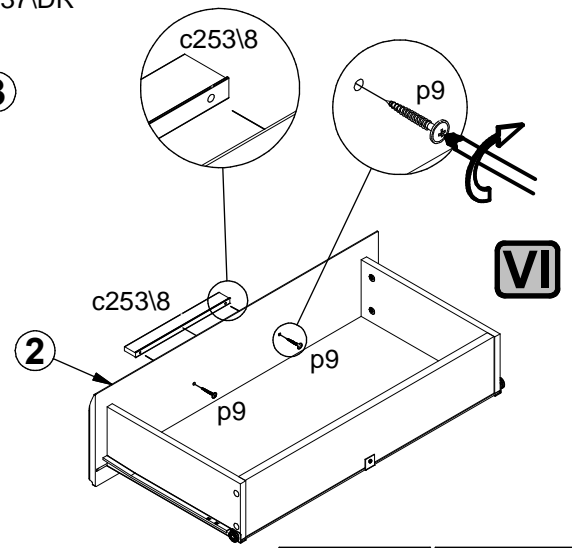
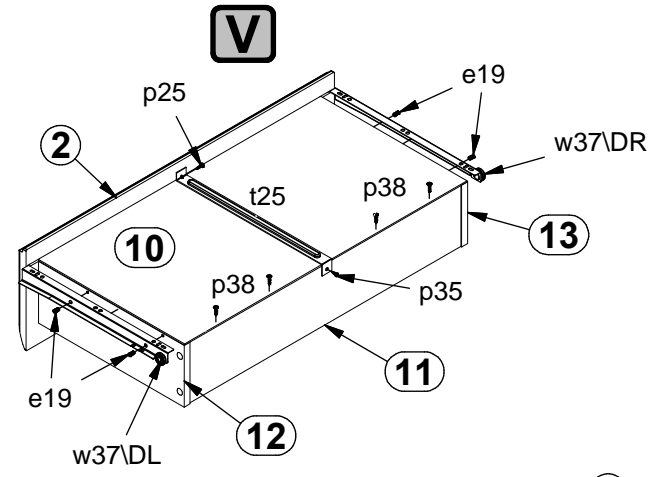
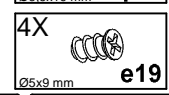
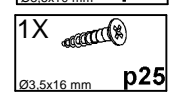
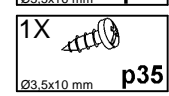
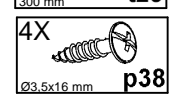
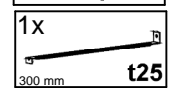
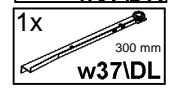
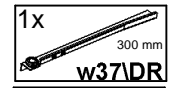
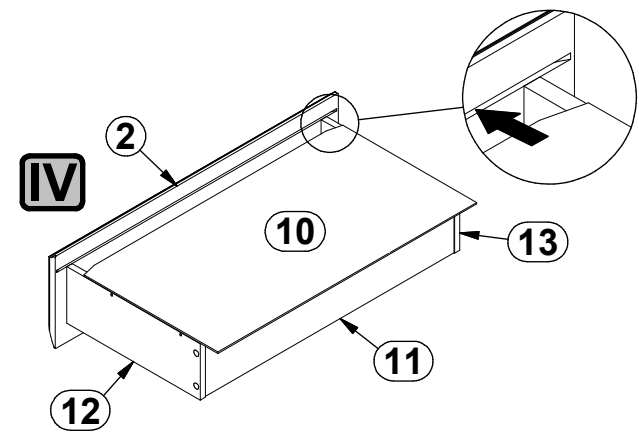
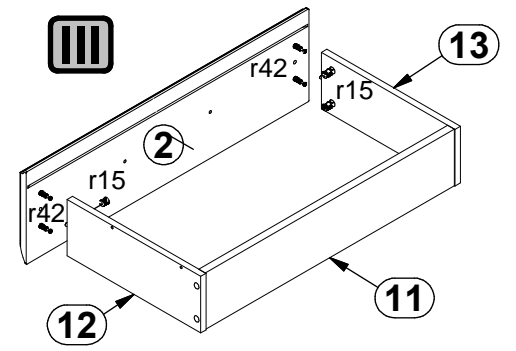
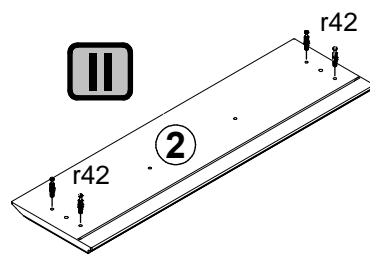
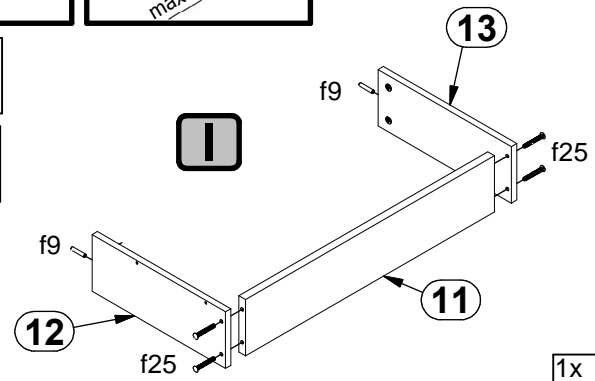
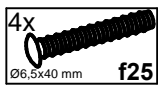
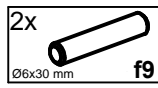
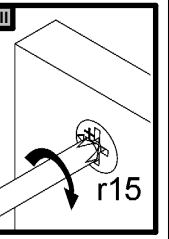
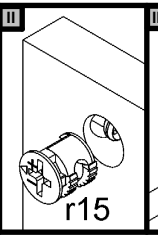
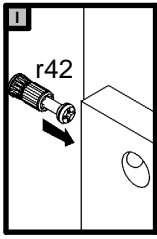
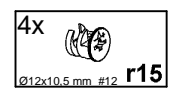
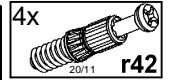
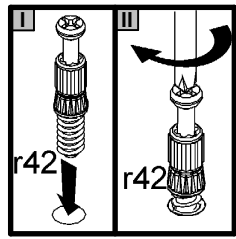


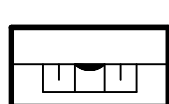
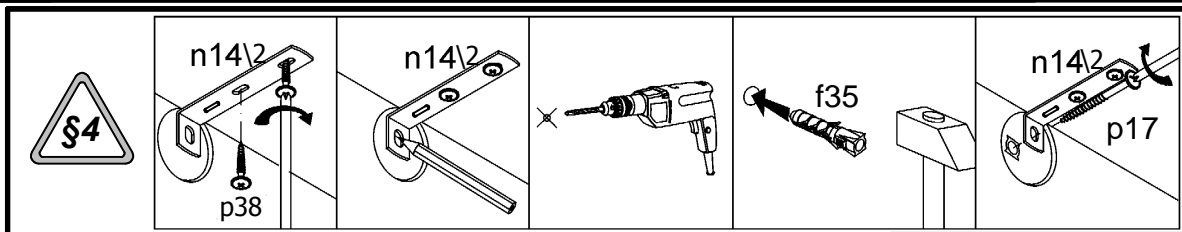
- 10x  $\varnothing 4 \times 30 \text{ mm}$ p21
- 2x  151x61x25 mm k54
- 2x  k55\1

A M247-KOM1D1S/10/6

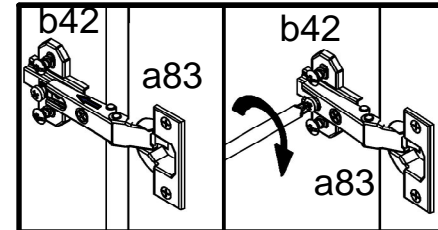
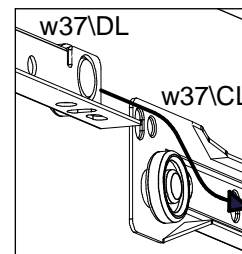
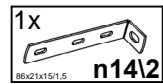
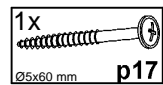
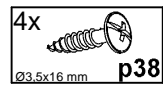
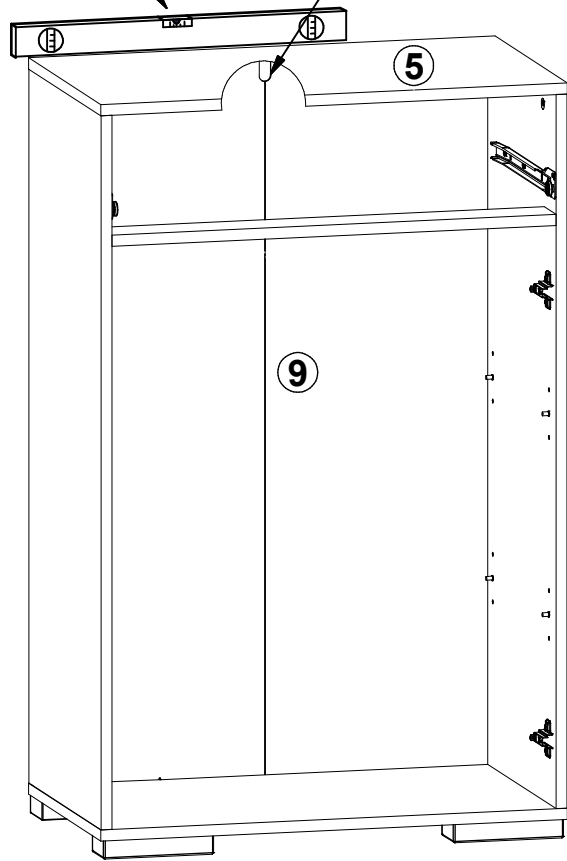
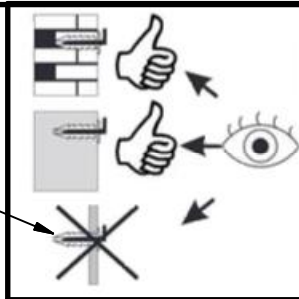


7

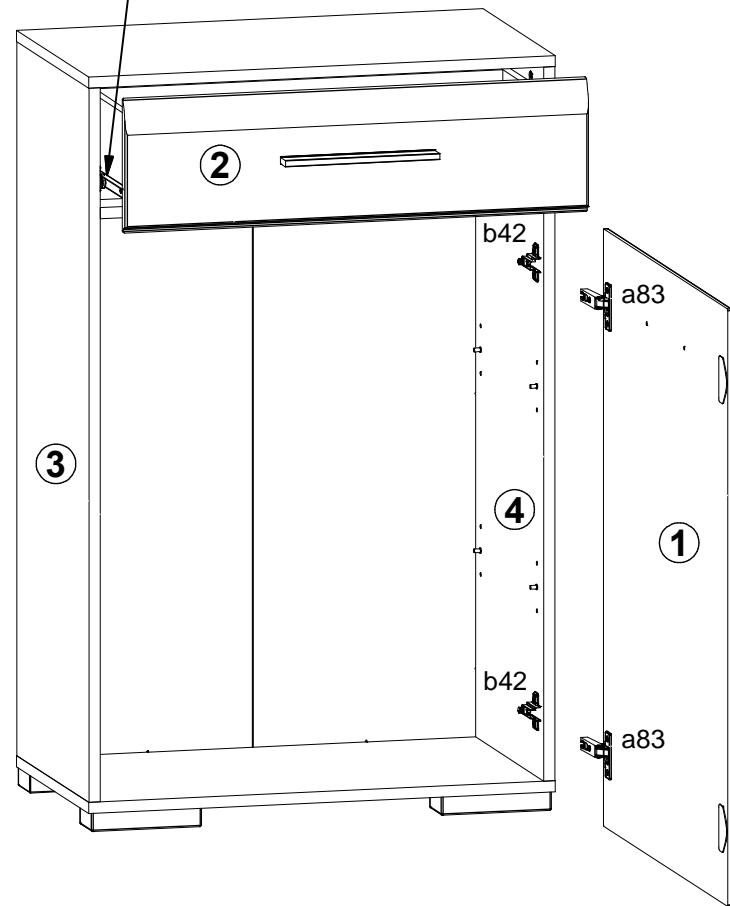




8



9



10

