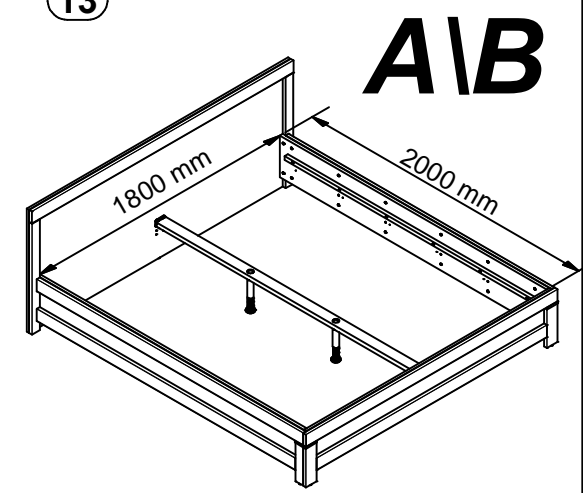
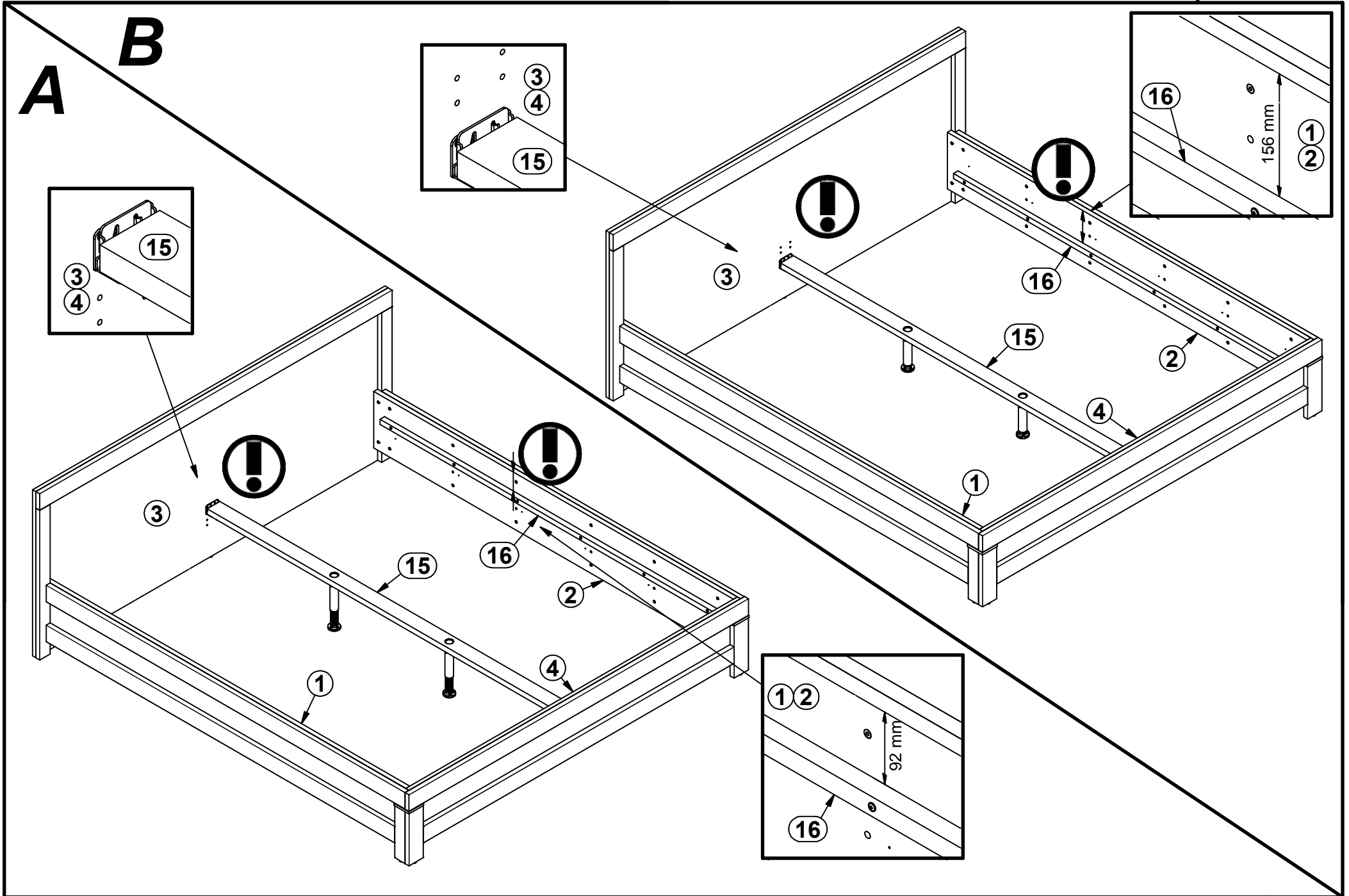


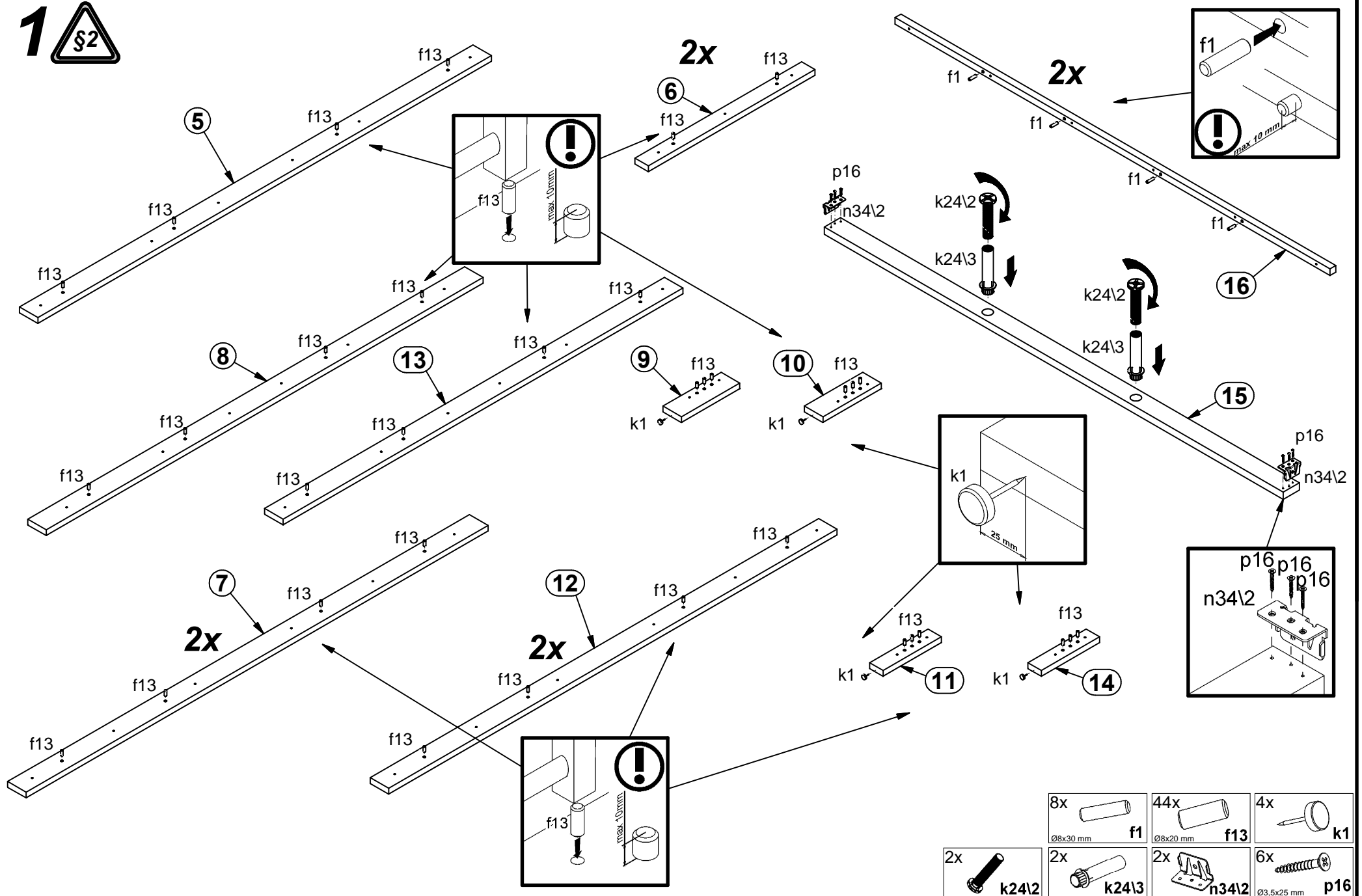
| A  | B         | C (mm) |      | D   |
|----|-----------|--------|------|-----|
| 1  | S228-136  | 2000   | 272  | 1/2 |
| 2  | S228-141  | 2000   | 272  | 1/2 |
| 3  | S228-417  | 800    | 1960 | 2/2 |
| 4  | S228-418  | 272    | 1844 | 2/2 |
| 5  | S228-5591 | 1960   | 80   | 2/2 |
| 6  | S228-5563 | 720    | 58,  | 2/2 |
| 7  | S228-5564 | 1996   | 80   | 1/2 |
| 8  | S228-5592 | 1888   | 80   | 2/2 |
| 9  | S228-5566 | 252    | 80   | 2/2 |
| 10 | S228-5567 | 252    | 80   | 2/2 |
| 11 | S228-5568 | 252    | 58,  | 2/2 |
| 12 | S228-5569 | 1938   | 80   | 1/2 |
| 13 | S228-5593 | 1728   | 80   | 2/2 |
| 14 | S228-5578 | 252    | 58   | 2/2 |
| 15 | ZZ1-745   | 1983   | 70   | 1/2 |
| 16 | ZZ1-747   | 1880   | 25   | 1/2 |

cm

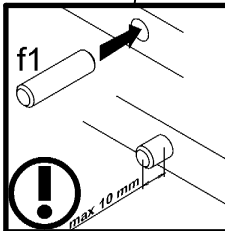
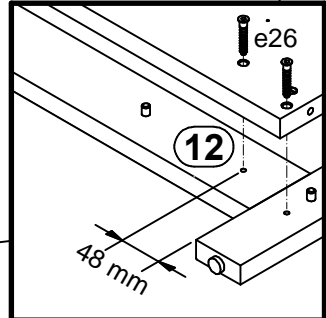
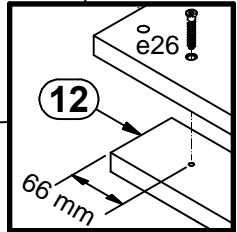
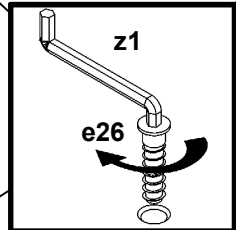
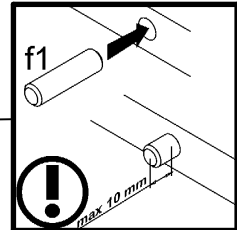
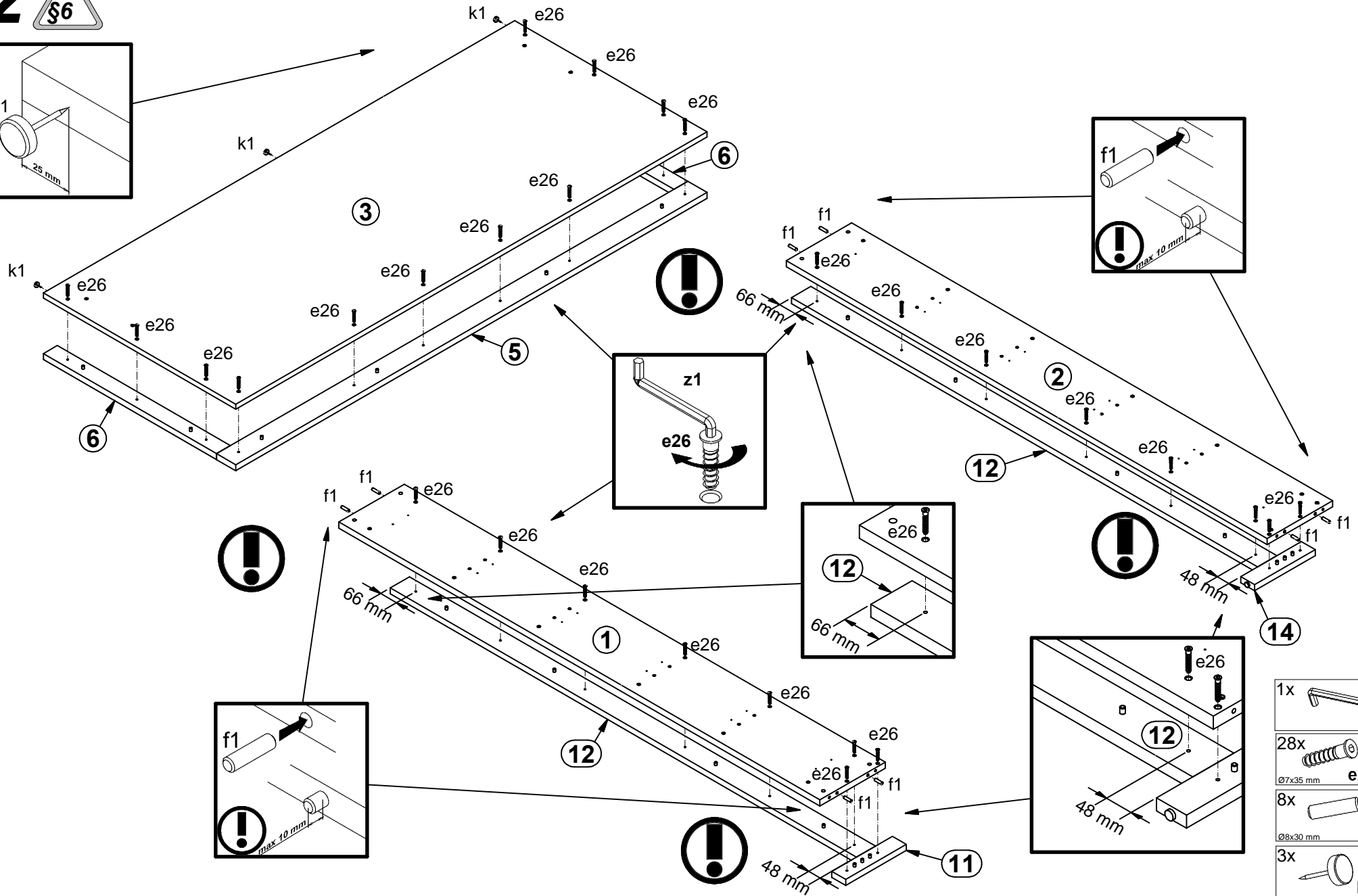
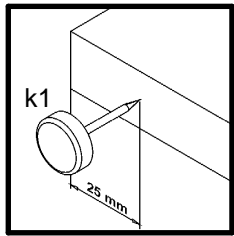
|                                |                               |                                |                               |
|--------------------------------|-------------------------------|--------------------------------|-------------------------------|
| 8x<br>Ø6x13 mm<br><b>e3</b>    | 56x<br>Ø7x35 mm<br><b>e26</b> | 16x<br>Ø8x30 mm<br><b>f1</b>   | 44x<br>Ø8x20 mm<br><b>f13</b> |
| 7x<br><b>k1</b>                | 2x<br><b>k24\2</b>            | 2x<br><b>k24\3</b>             | 2x<br><b>k101</b>             |
| 4x<br>Ø3.5x20 mm<br><b>p79</b> | 8x<br>M6x50 mm<br><b>r5\2</b> | 8x<br>Ø10x16 mm<br><b>r43</b>  | 1x<br><b>z1</b>               |
| 2x<br><b>n34\1</b>             | 2x<br><b>n34\2</b>            | 6x<br>Ø4x35 mm<br><b>p6</b>    | 12x<br>Ø4x40 mm<br><b>p10</b> |
|                                |                               | 6x<br>Ø3.5x25 mm<br><b>p16</b> |                               |



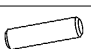





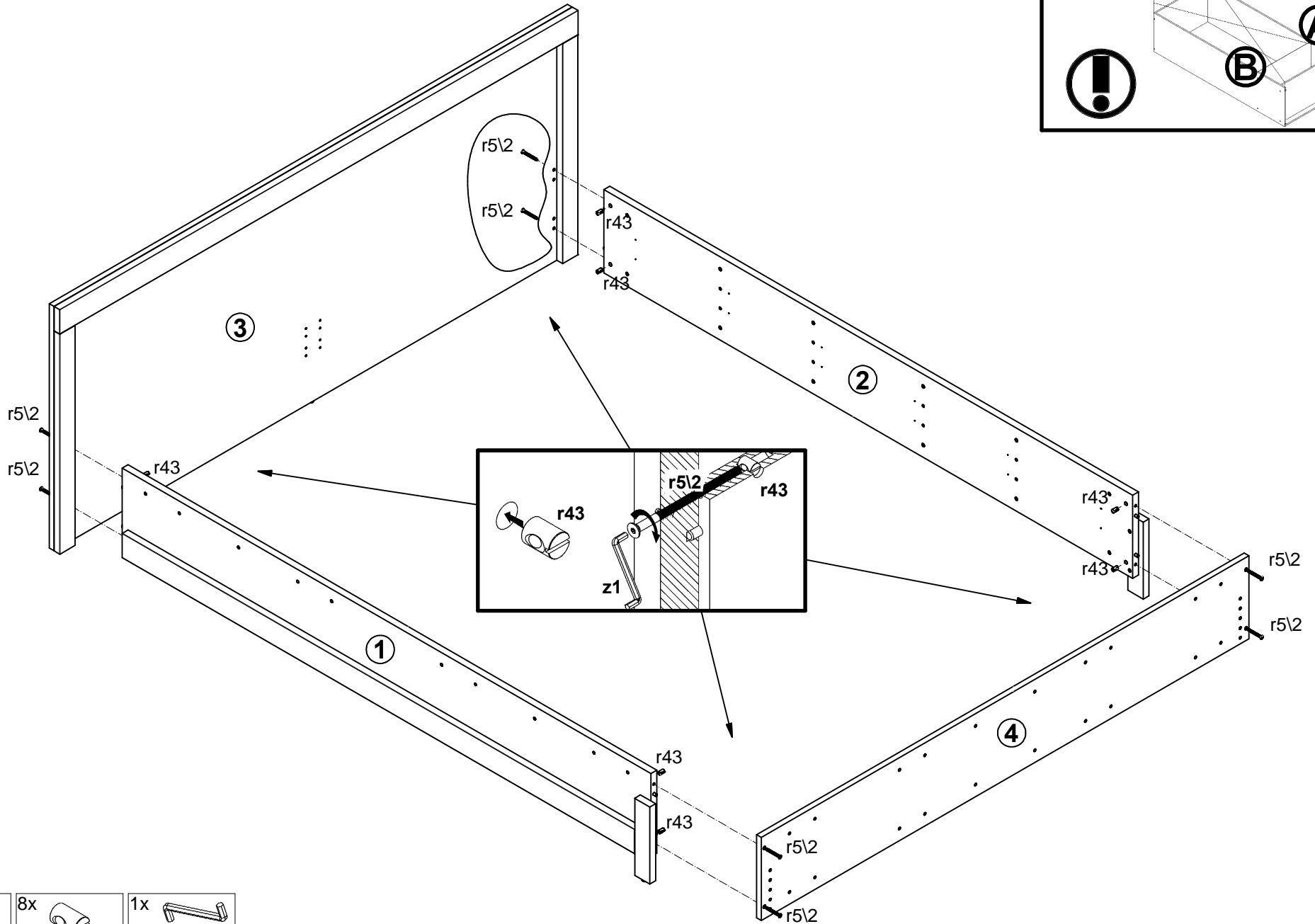
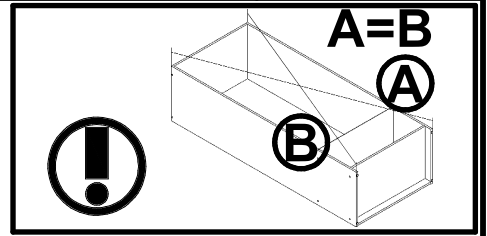


**2** 

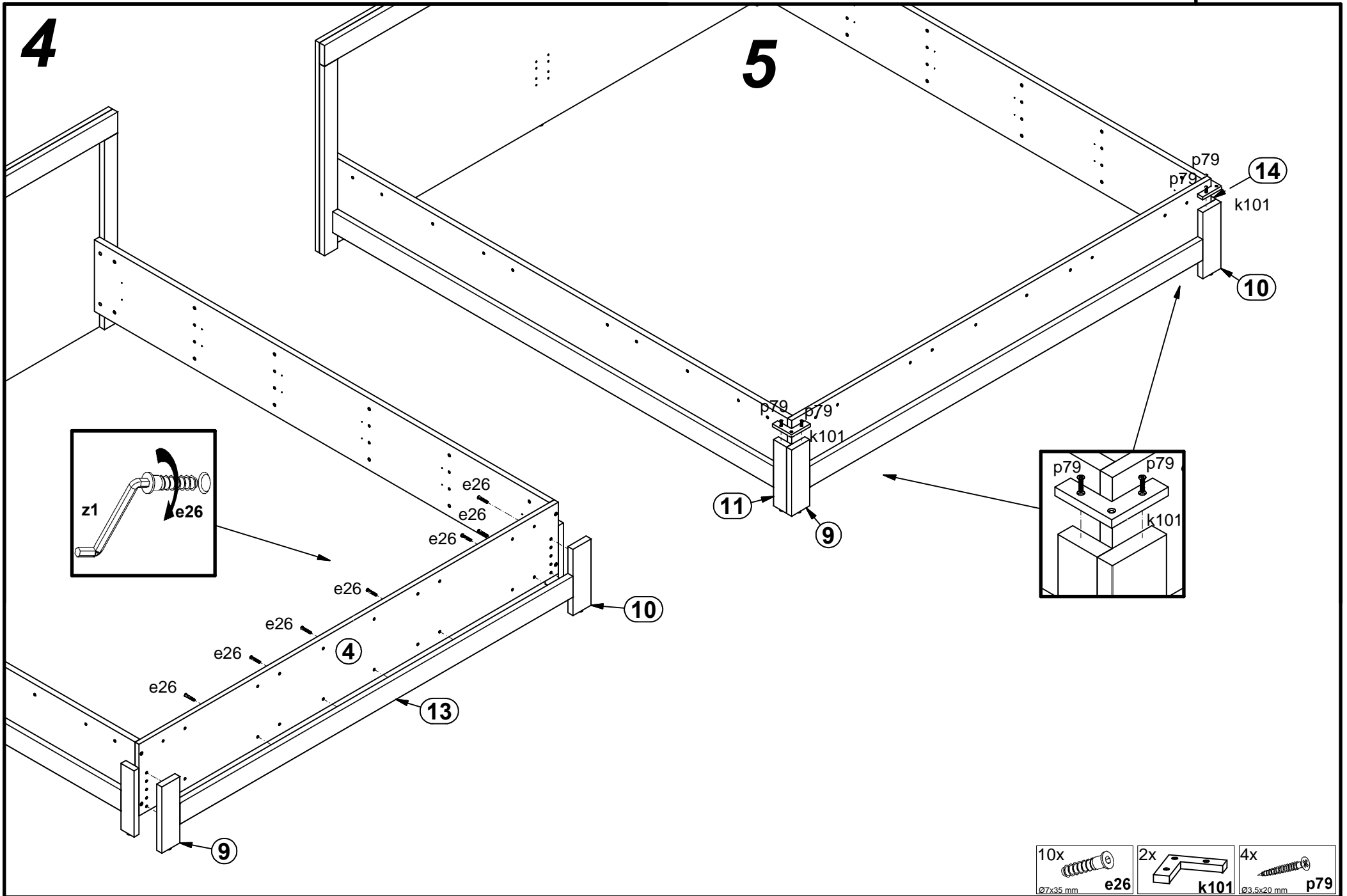


- 1x  z1
- 28x  e26  
Ø7x35 mm
- 8x  f1  
Ø8x30 mm
- 3x  k1

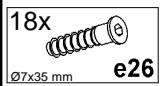
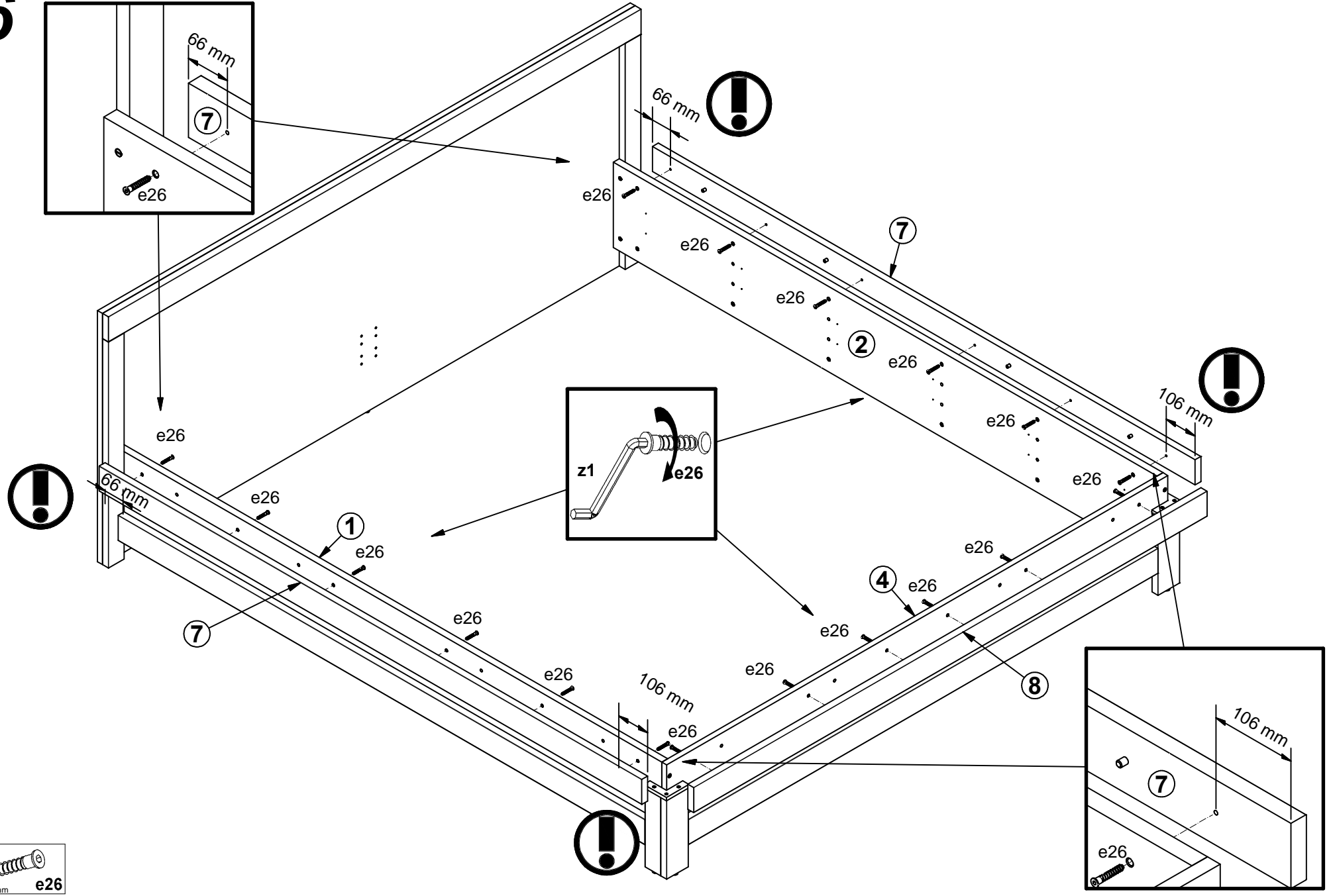
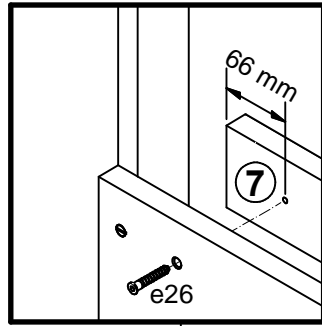
3



- 8x M6x50 mm r5\2
- 8x Ø10x16 mm r43
- 1x z1

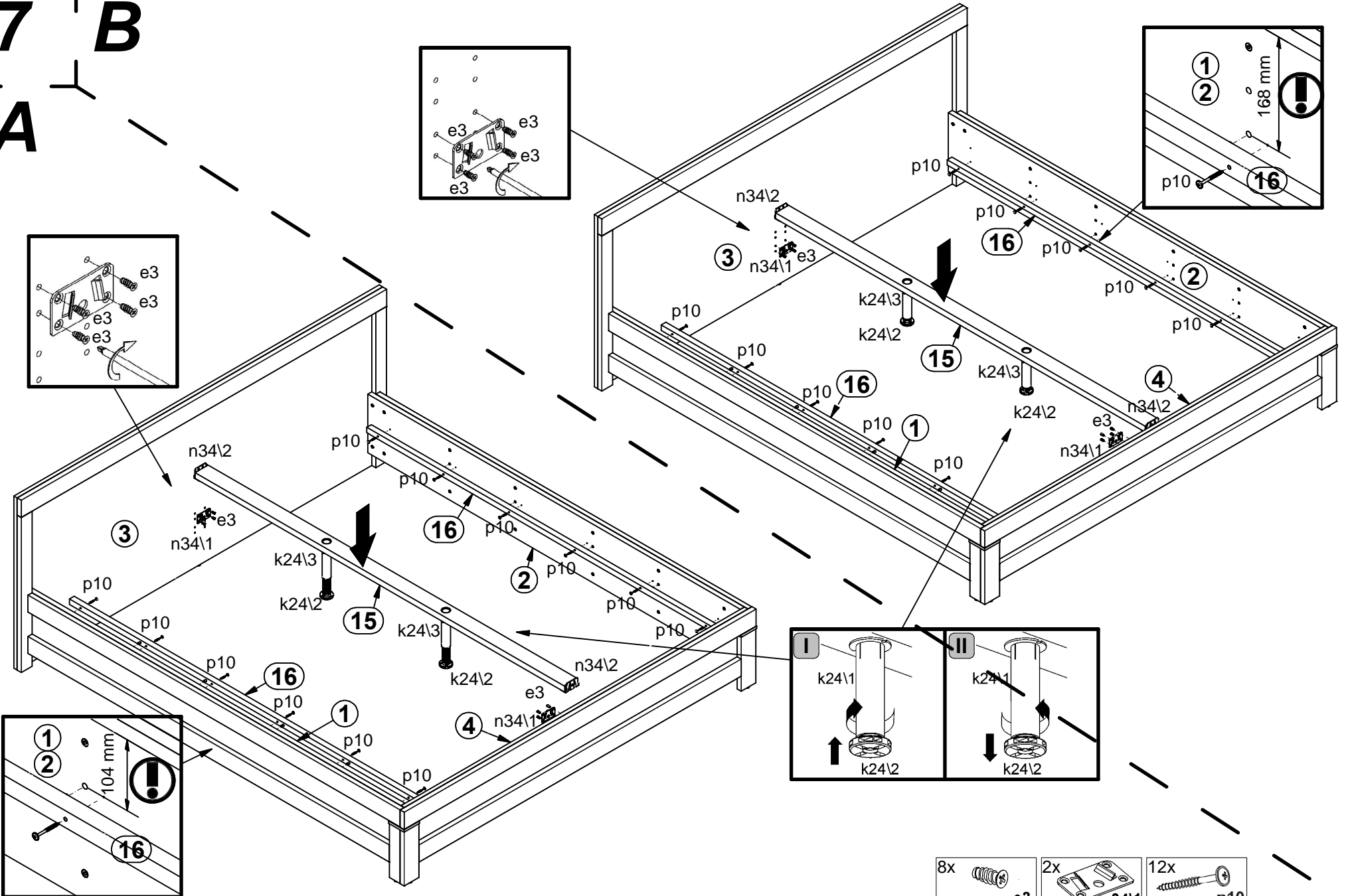
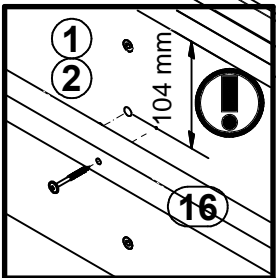
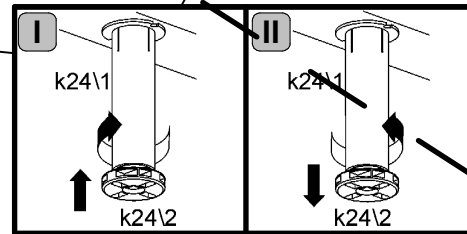
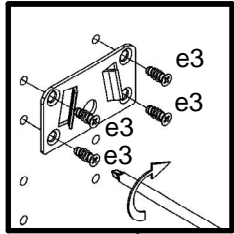
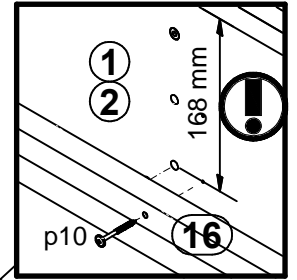
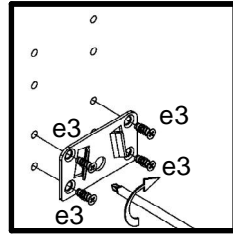


6





7 B  
A



- 8x  
Ø6x13 mm  
e3
- 2x  
n34/1
- 12x  
Ø4x40 mm  
p10

# 8

