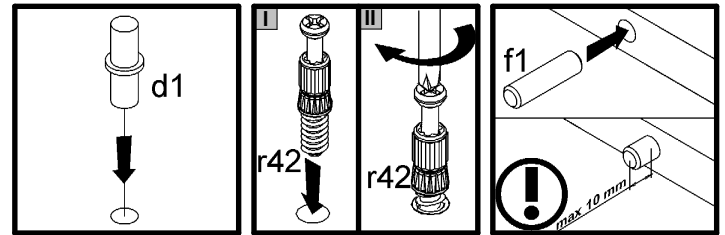
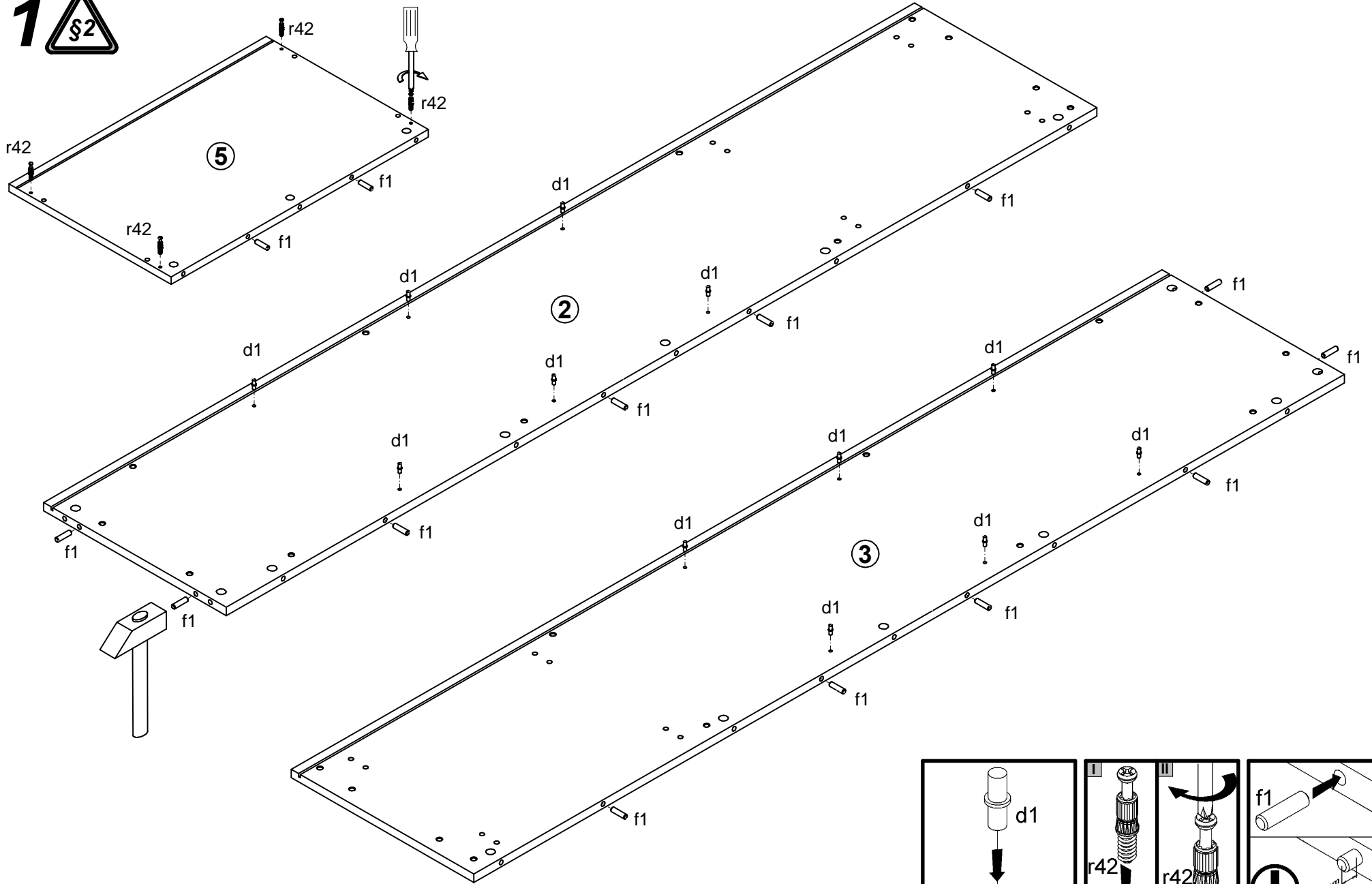
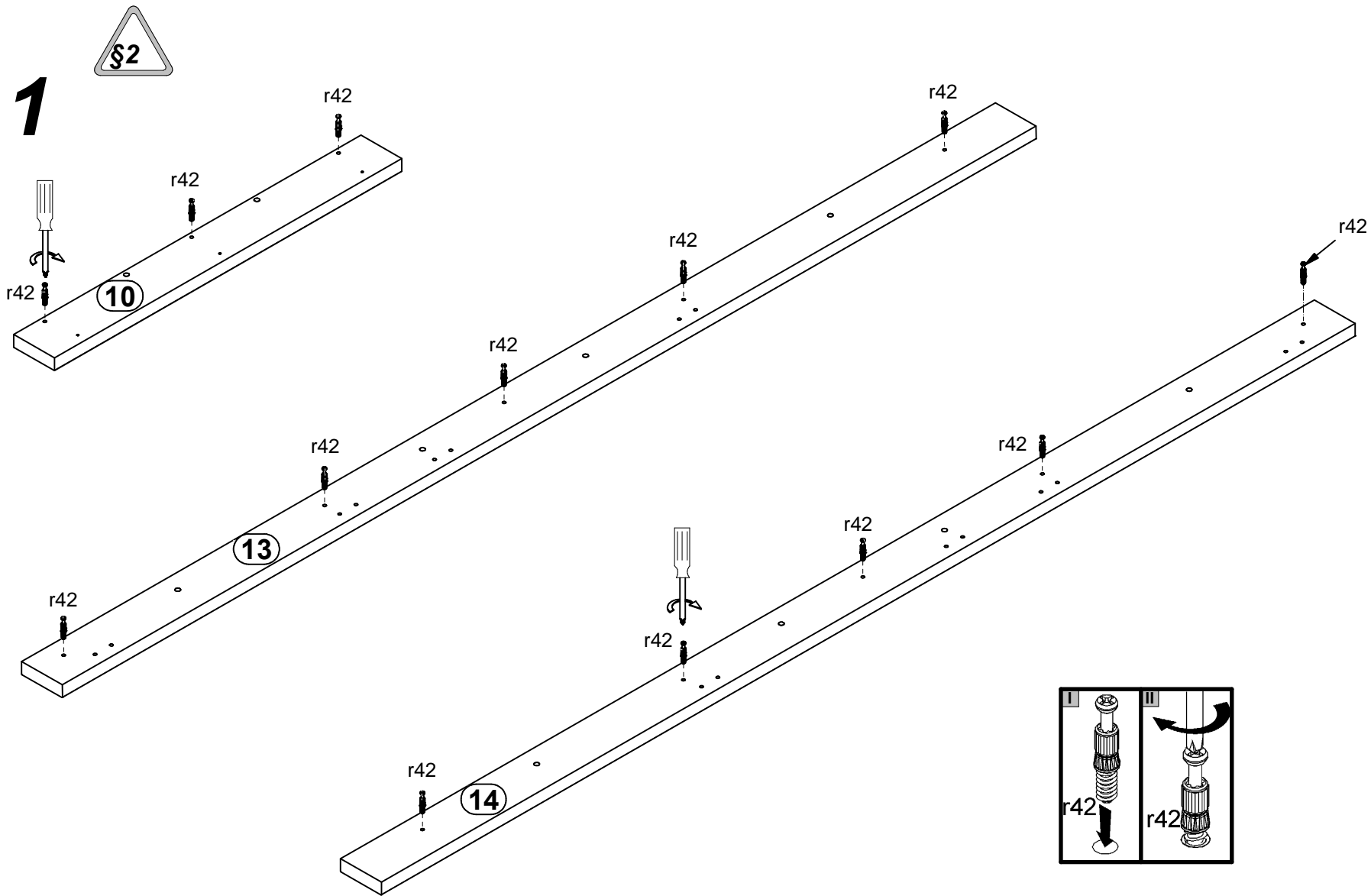


| A  | B         | C (mm) |     | D   |
|----|-----------|--------|-----|-----|
| 1  | S228-001  | 514    | 192 | 1/2 |
| 2  | S228-101  | 1914   | 401 | 2/2 |
| 3  | S228-102  | 1914   | 401 | 2/2 |
| 4  | S228-103  | 388    | 381 | 1/2 |
| 5  | S228-201  | 636    | 401 | 1/2 |
| 6  | S228-301  | 604    | 381 | 1/2 |
| 7  | S228-302  | 604    | 381 | 1/2 |
| 8  | S228-303  | 603    | 376 | 2/2 |
| 9  | S228-401  | 522    | 60  | 1/2 |
| 10 | S228-5501 | 681    | 80  | 1/2 |
| 11 | S228-5502 | 520    | 80  | 1/2 |
| 12 | S228-5503 | 602    | 40  | 1/2 |
| 13 | S228-5504 | 1910   | 80  | 2/2 |
| 14 | S228-5505 | 1910   | 80  | 2/2 |
| 15 | S228-5506 | 401    | 80  | 1/2 |
| 16 | S228-5507 | 1920   | 58  | 2/2 |
| 17 | S228-5508 | 285    | 80  | 1/2 |
| 18 | S228-5509 | 1910   | 58  | 2/2 |
| 19 | S228-901  | 1840   | 614 | 2/2 |
| 20 | WSP-945   | 492    | 358 | 1/2 |
| 21 | WSQ4-505  | 350    | 140 | 1/2 |
| 22 | WSQ4-506  | 350    | 140 | 1/2 |
| 23 | WTQ-5050  | 482    | 127 | 1/2 |

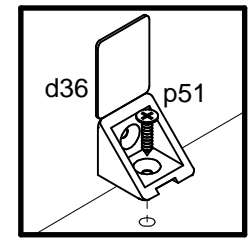
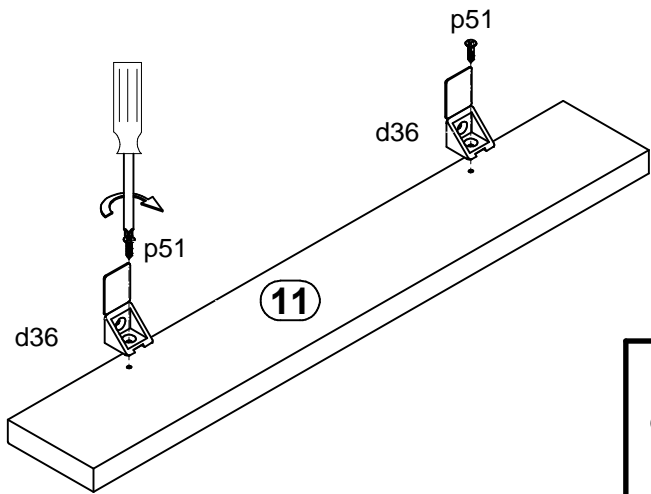
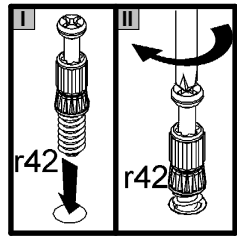
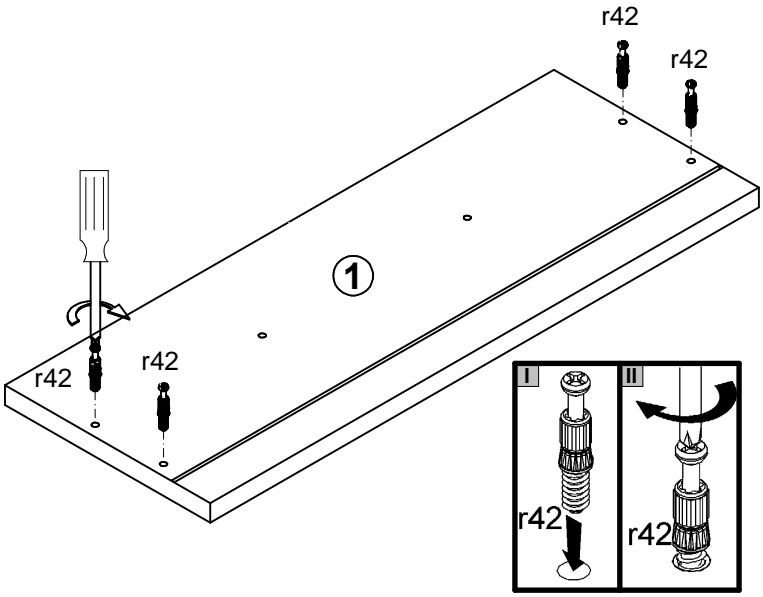
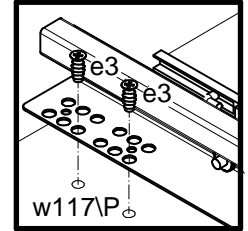
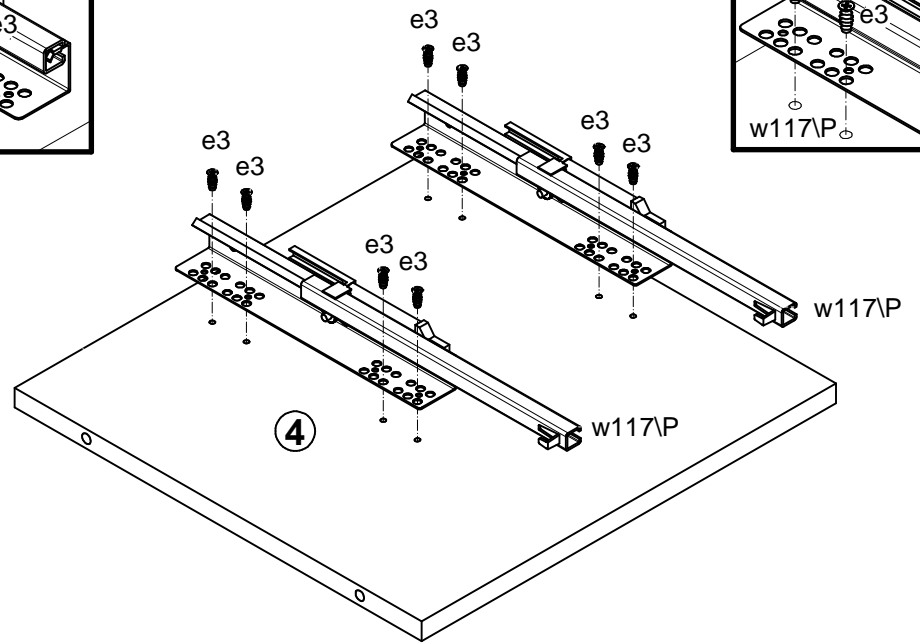
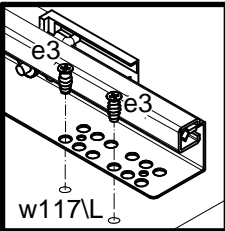
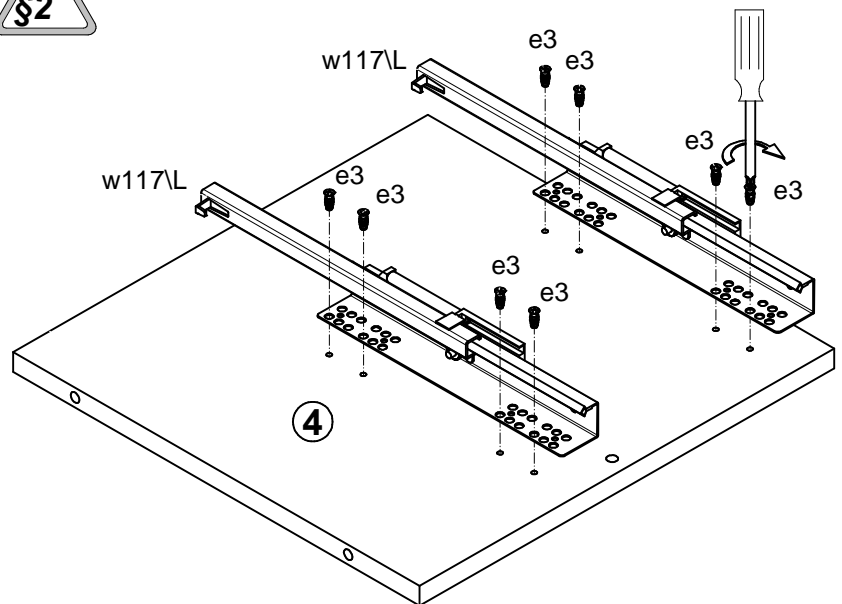


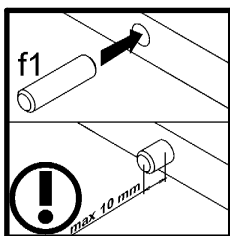
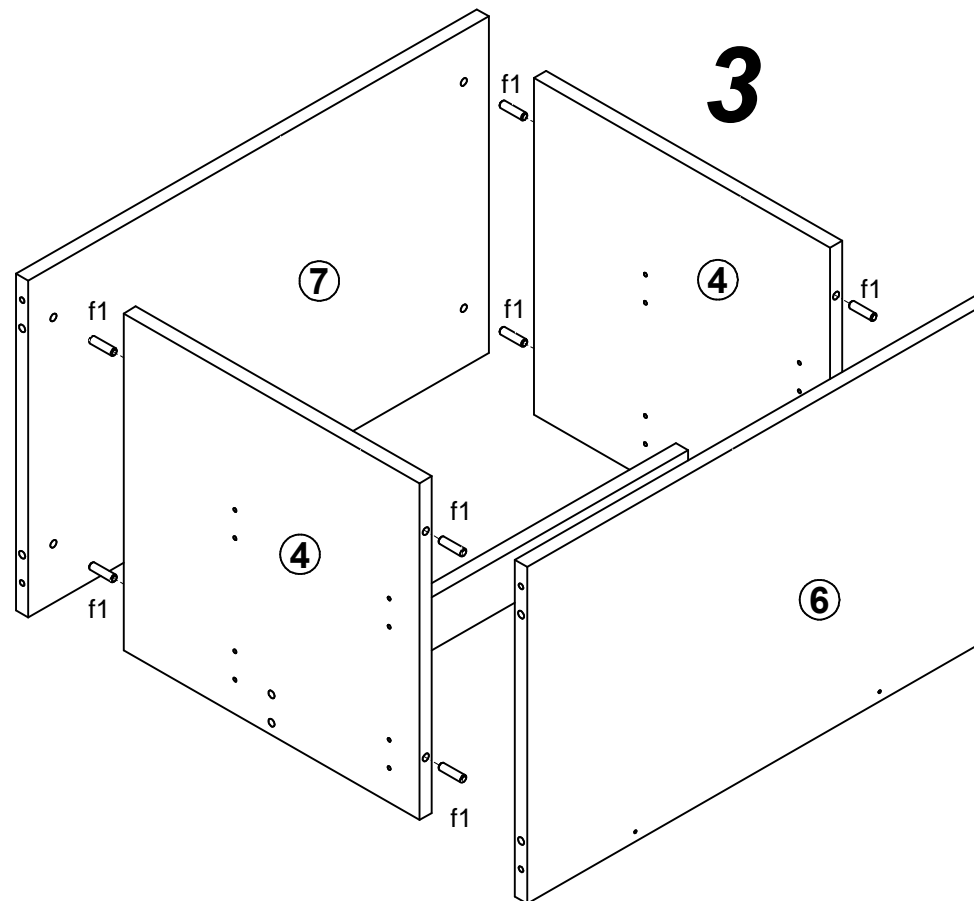
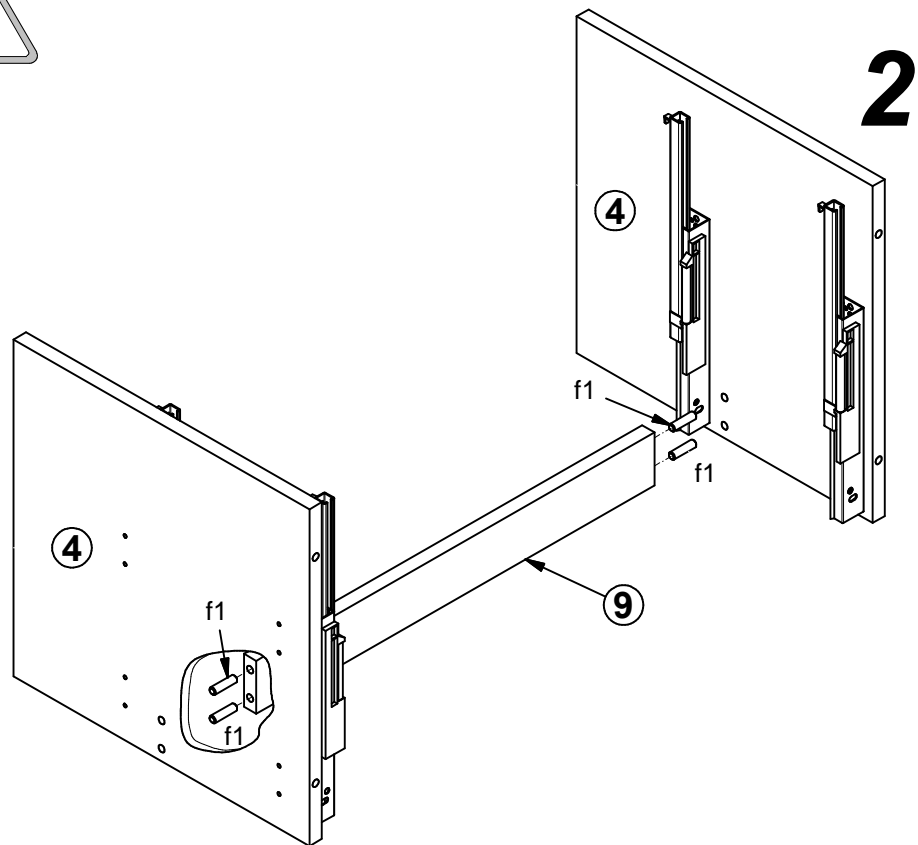
|                       |                       |                     |                      |                       |                         |                         |                           |                         |                         |                            |                              |                     |
|-----------------------|-----------------------|---------------------|----------------------|-----------------------|-------------------------|-------------------------|---------------------------|-------------------------|-------------------------|----------------------------|------------------------------|---------------------|
| 2x<br>192mm<br>c280\1 | 12x<br>Ø5x17 mm<br>d1 | 2x<br>d36           | 8x<br>Ø7x50 mm<br>e1 | 16x<br>Ø6x13 mm<br>e3 | 24x<br>Ø7x28 mm<br>e22  | 34x<br>Ø8x30 mm<br>f1   | 16x<br>Ø8x20 mm<br>f13    | 8x<br>Ø6.5x40 mm<br>f25 | 4x<br>M4x22 mm<br>j30   | 6x<br>k1                   | 2x<br>83x83x11<br>k101       | 12x<br>l1           |
| 17x<br>i2             | 3x<br>Ø75\1<br>o75\1  | 1x<br>o80\3         | 1x<br>5W<br>o75\2    | 3x<br>Ø4x30 mm<br>p9  | 2x<br>Ø3.5x16 mm<br>p25 | 2x<br>Ø3.5x10 mm<br>p35 | 12x<br>Ø3.5x16 mm<br>p38  | 4x<br>Ø3.5x15 mm<br>p51 | 4x<br>Ø3.5x20 mm<br>p79 | 17x<br>Ø15x12 mm #16<br>r1 | 8x<br>Ø12x10.5 mm #12<br>r15 | 25x<br>20/11<br>r42 |
| 16x<br>s1             | 12x<br>Ø16<br>s2      | 2x<br>350 mm<br>t35 | 2x<br>350 mm W117L   | 2x<br>350 mm W117P    | 1x<br>z1                | 1x<br>Ø10x50 mm<br>f35  | 1x<br>81x21x15/1.5<br>n14 | 1x<br>Ø5x60 mm<br>p17   | 2x<br>Ø3.5x16 mm<br>p38 |                            |                              |                     |



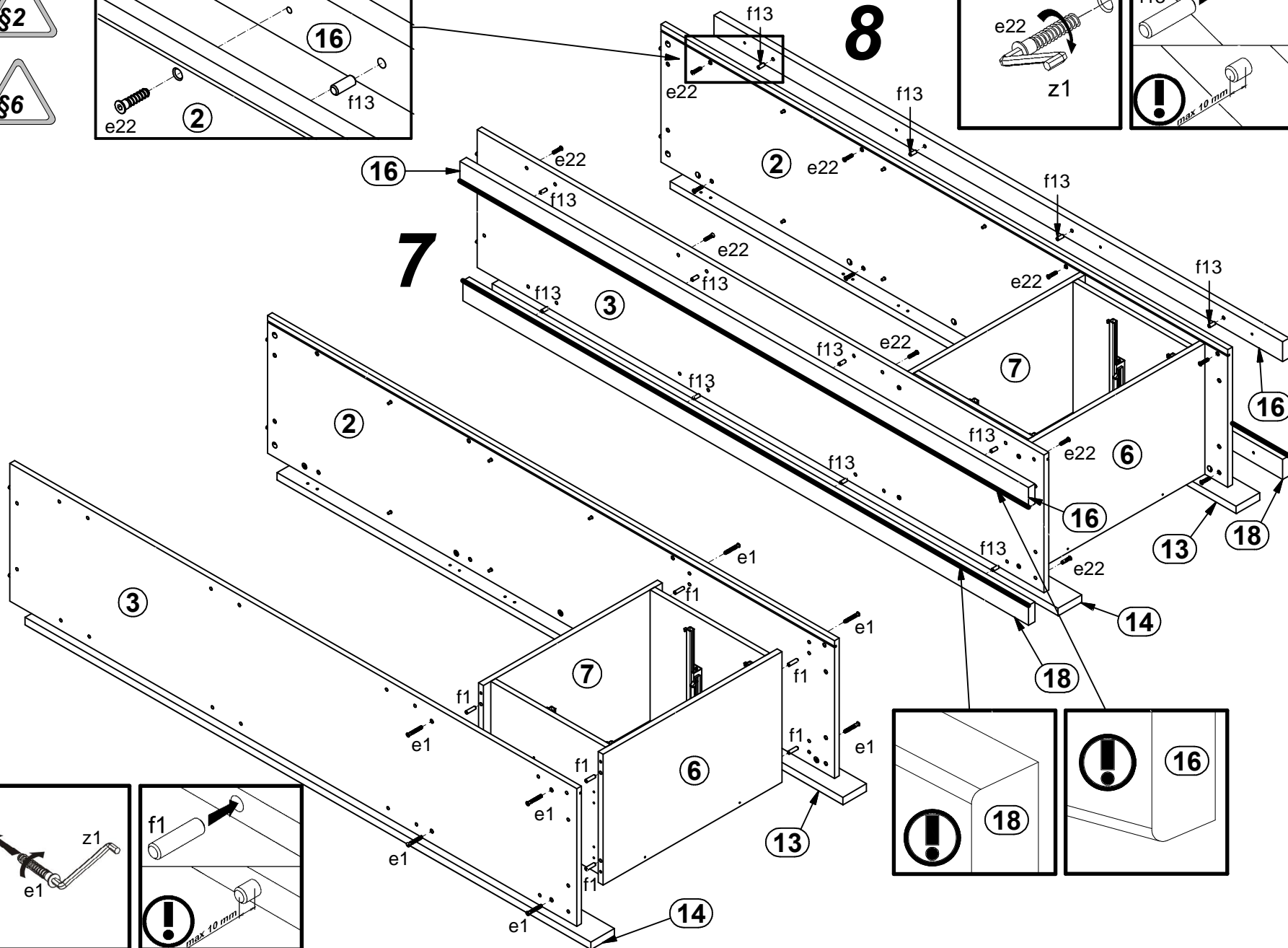
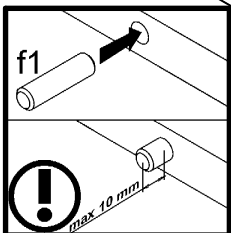
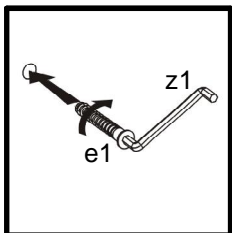
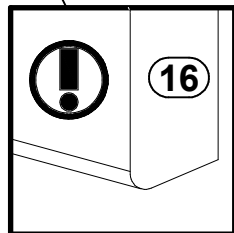
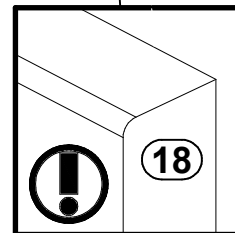
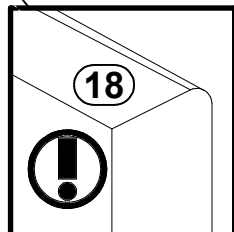
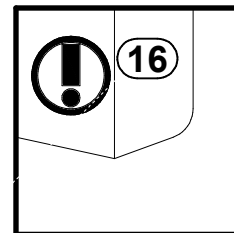
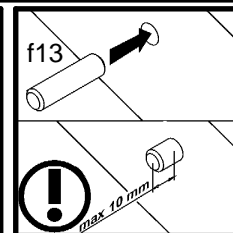
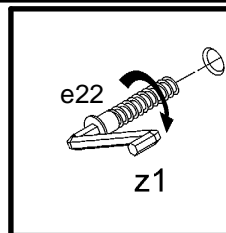
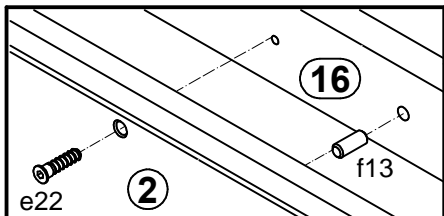


1









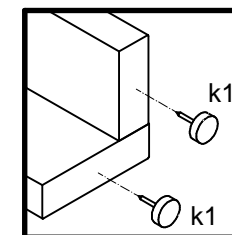
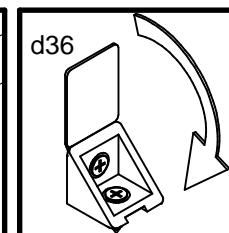
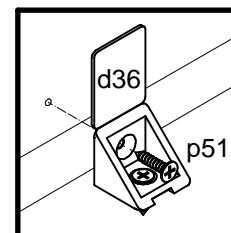
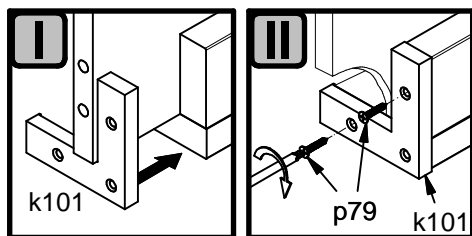
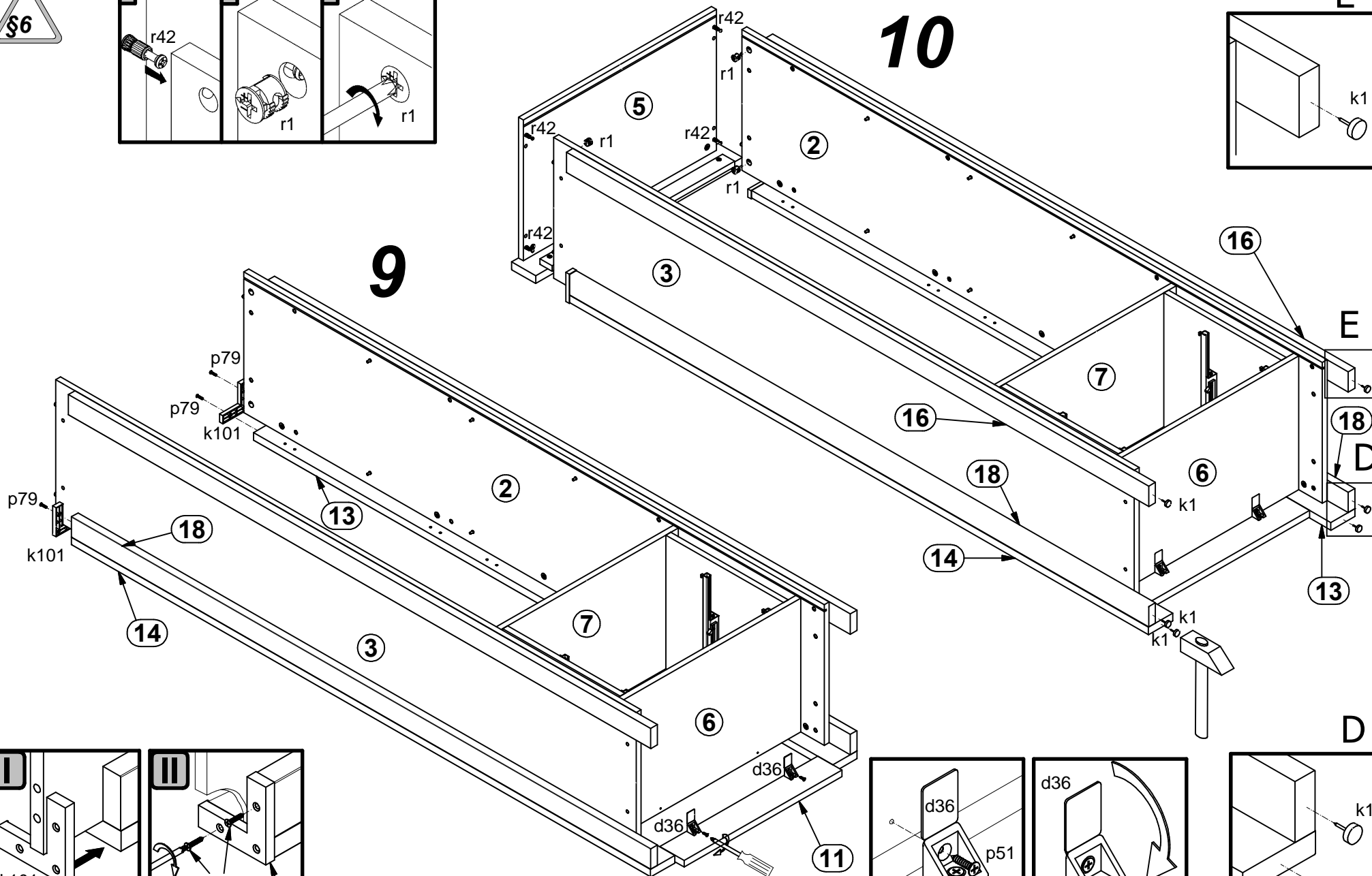
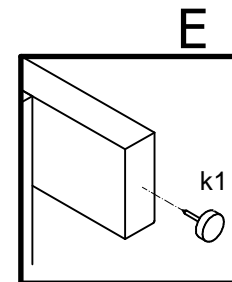
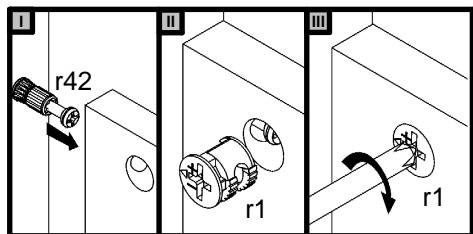


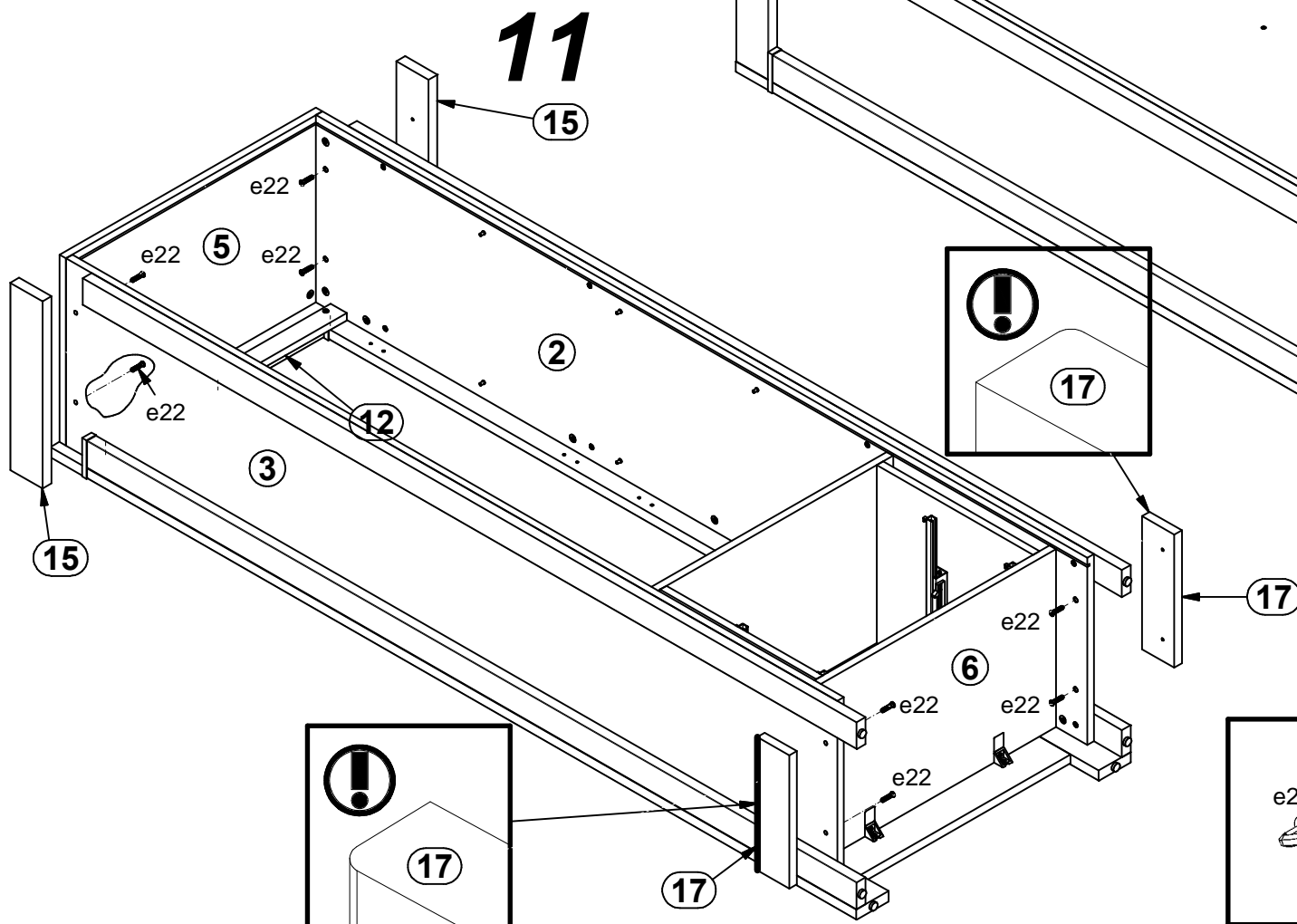
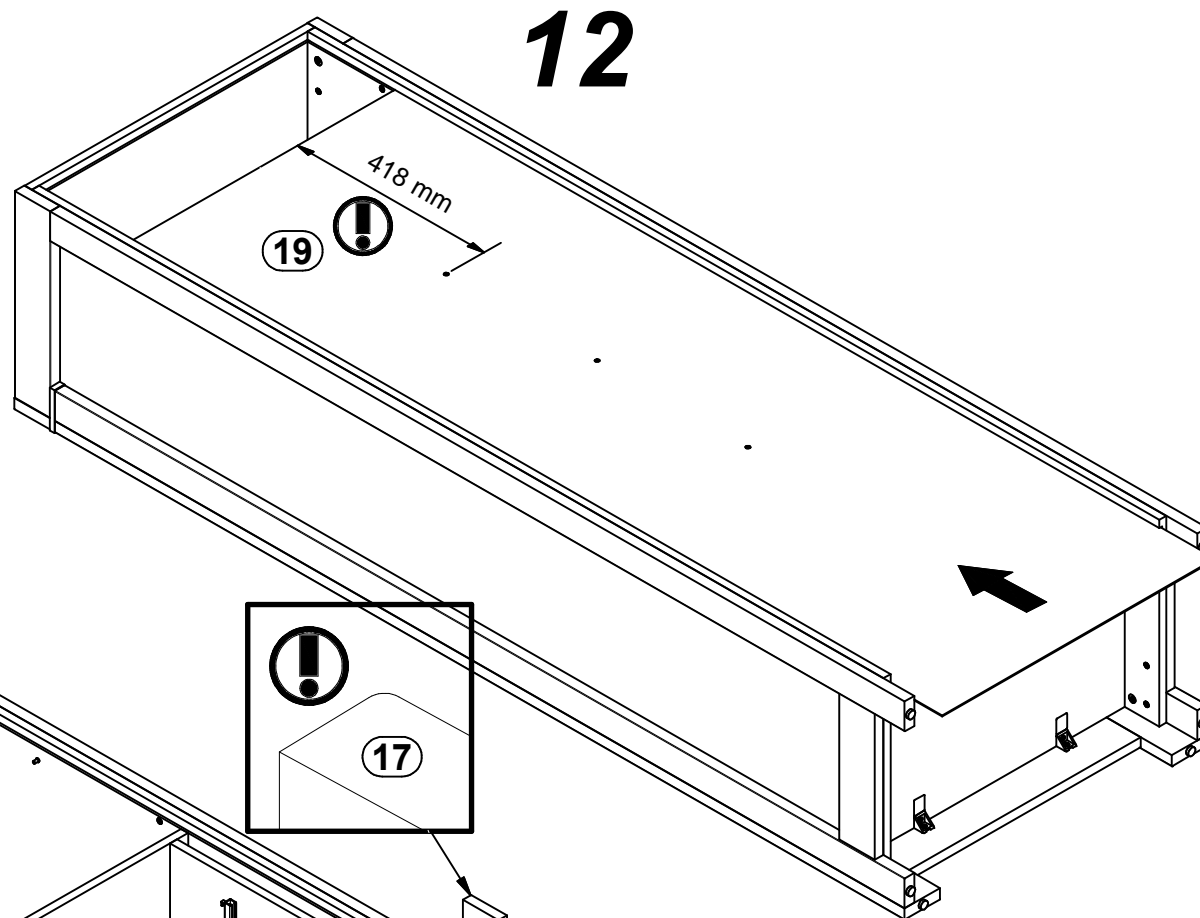
A

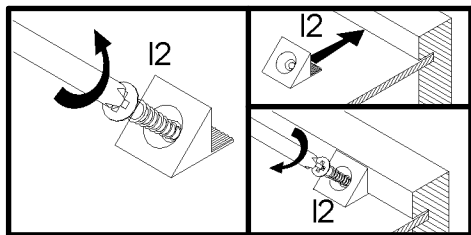
S228-REG2S/20/7

10 90 CC 02

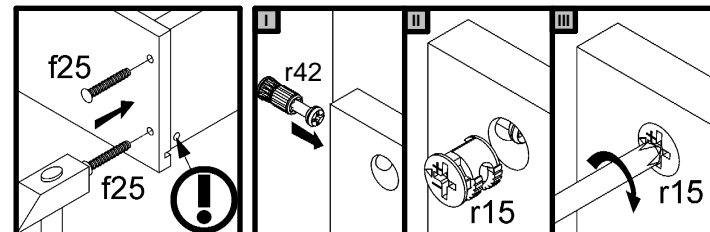
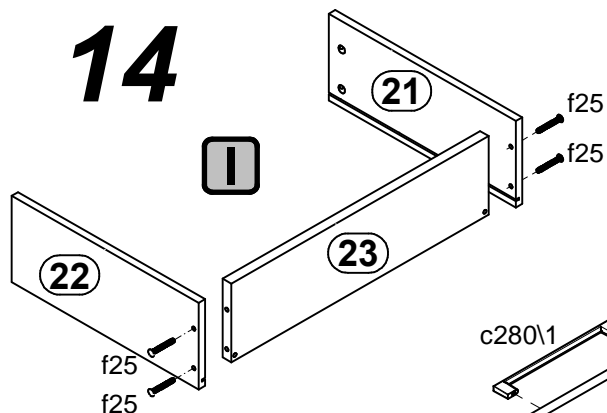
9 / 12



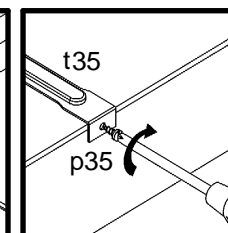
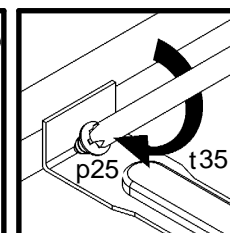
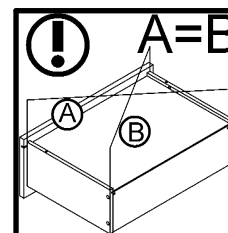
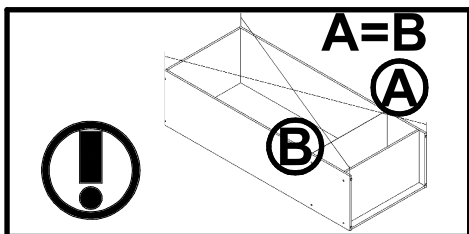
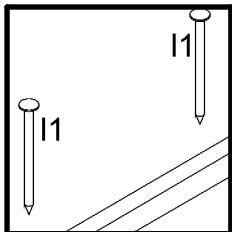
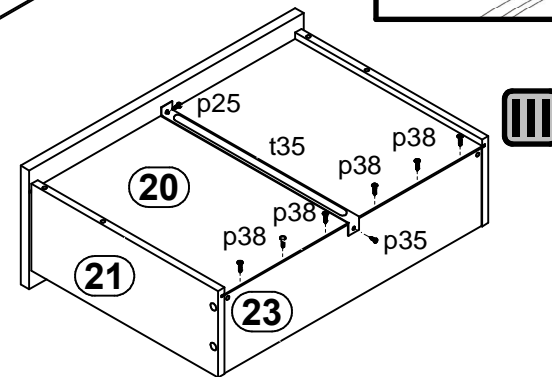
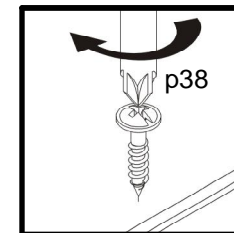
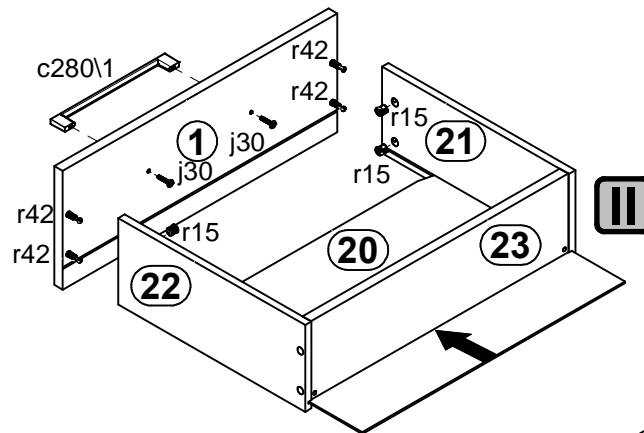
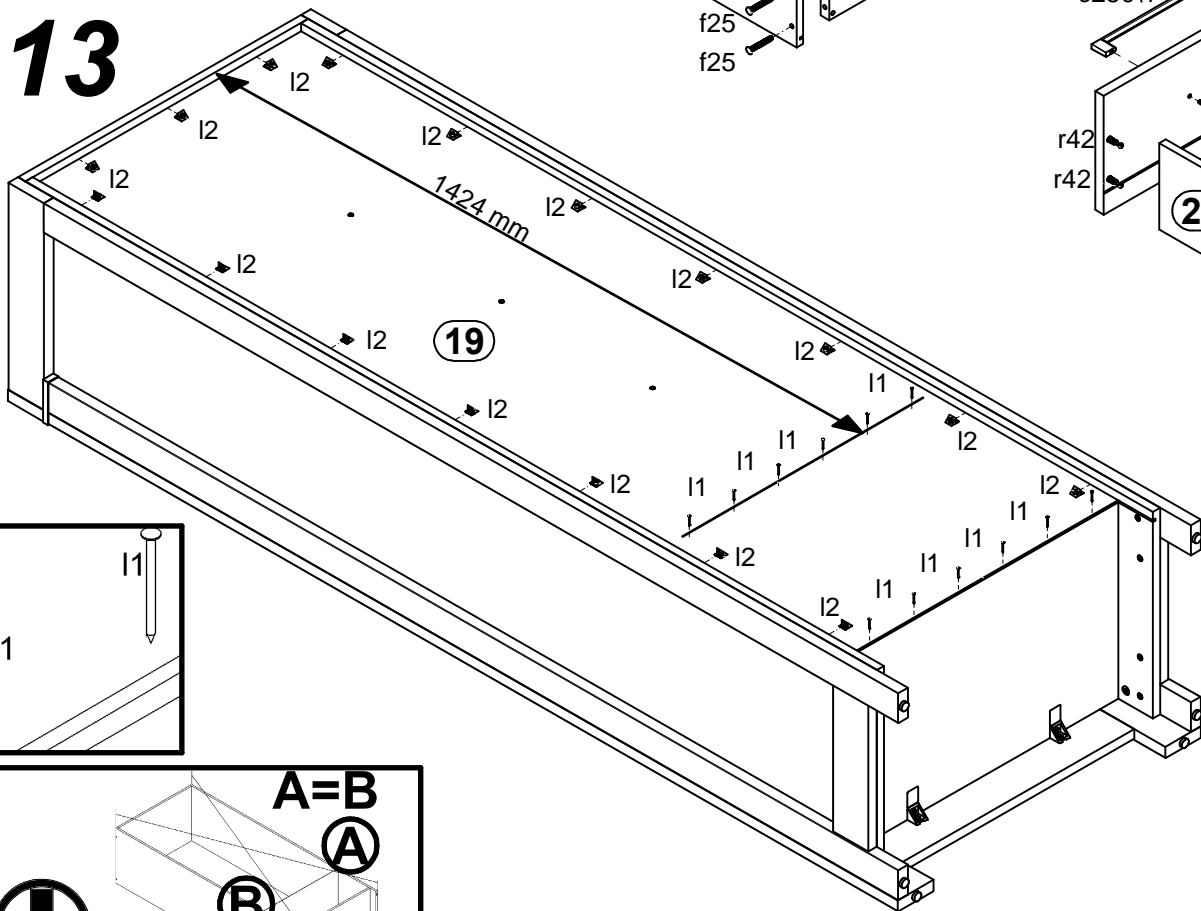


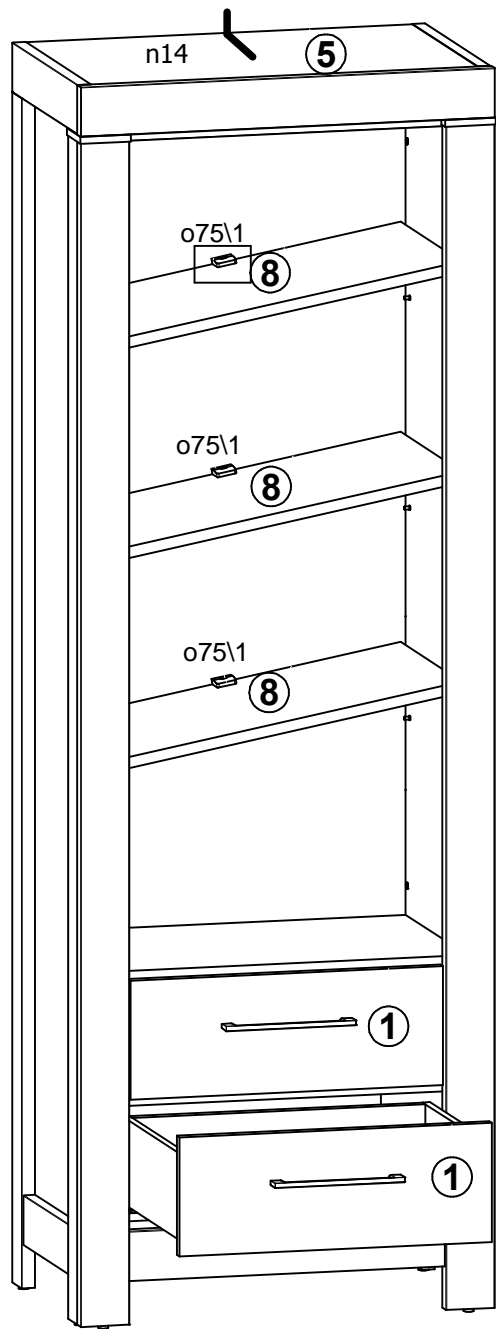


14



13





13 §6

