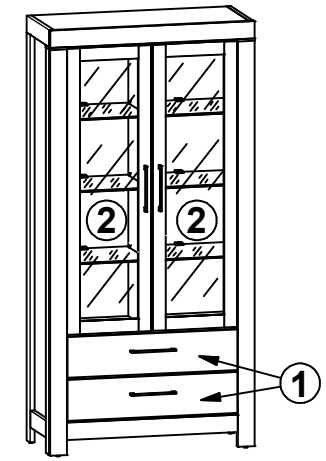
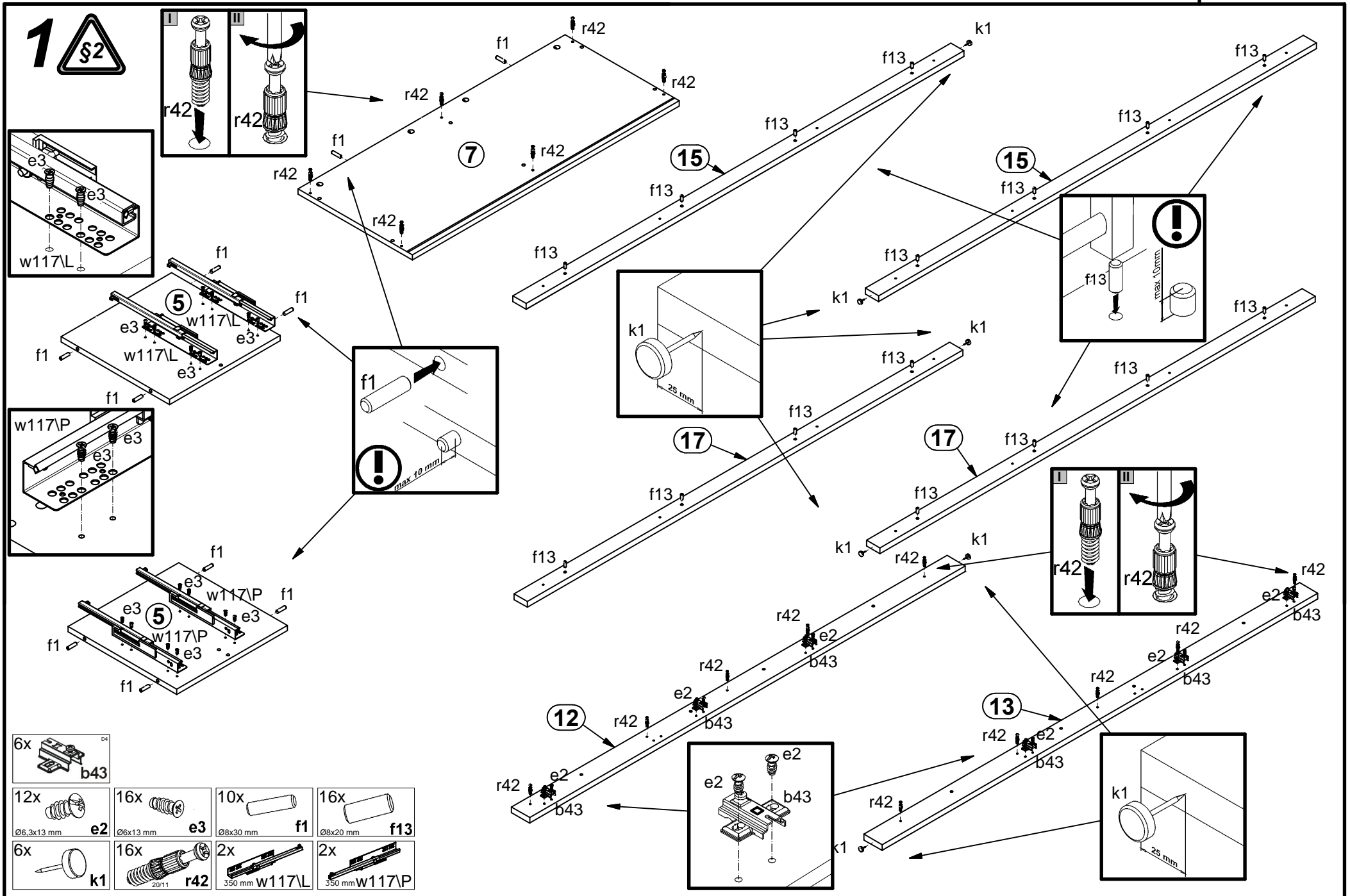


A	B	C (mm)		D
1	S228-014	814	192	2/3
2	S228-015	1346	402	3/3
3	S228-101	1914	401	1/3
4	S228-102	1914	401	1/3
5	S228-103	388	381	2/3
6	S228-129	1416,5	381	3/3
7	S228-210	936	401	3/3
8	S228-327	904	381	2/3
9	S228-328	904	381	2/3
10	S228-329	437	371	3/3
11	S228-410	822	60	2/3
12	S228-5504	1910	80	1/3
13	S228-5505	1910	80	1/3
14	S228-5506	401	80	1/3
15	S228-5507	1920	58	1/3
16	S228-5508	285	80	1/3
17	S228-5509	1910	58	1/3
18	S228-5554	981	80	1/3
19	S228-5555	820	80	1/3
20	S228-5556	902	40	2/3
21	S228-9908	1840	913	1/3
22	WSP-977	792	358	2/3
23	WSQ4-505	350	140	2/3
24	WSQ4-506	350	140	2/3
25	WTQ-5127	782	127	2/3

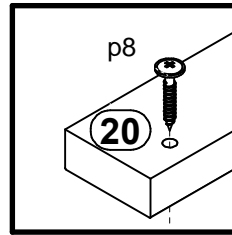
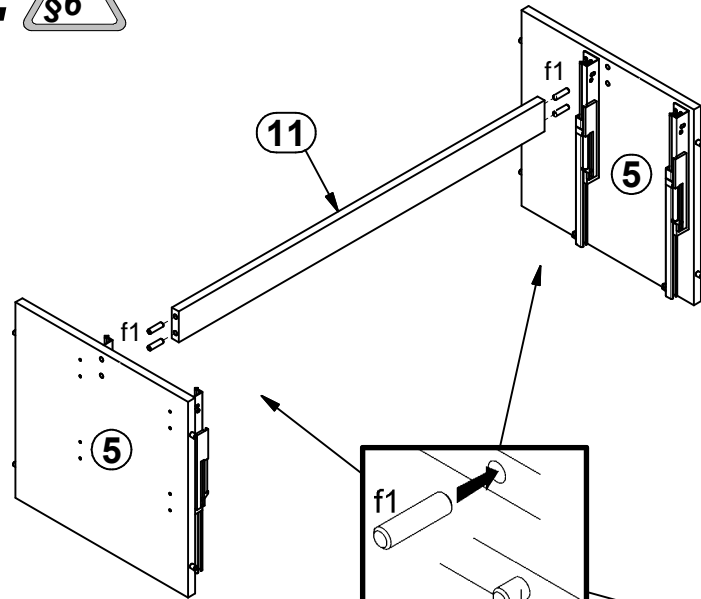
cm 0 1 2 3 4 5 6 7 8 9 10

6x a132	4x a133	6x b43	4x c280\1					
24x d33	4x d36	10x e1	12x e2	16x e3	24x e22	38x f1	16x f13	8x f25
1x f35	8x j30	6x k1	2x k101	16x l1	14x l2	20x r1	28x r42	20x p51
1x n14\2	4x n108	4x o21	1x o80\3	1x o80\4	6x o85\1	4x p8	1x p17	2x p25
2x p35	14x p38	4x p55	4x p79	8x r15	2x t35	2x W117\L	2x W117\P	1x z1
								16x s1
								16x s2

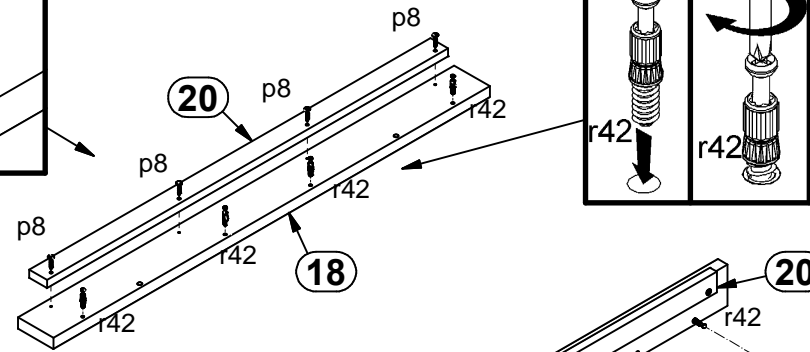




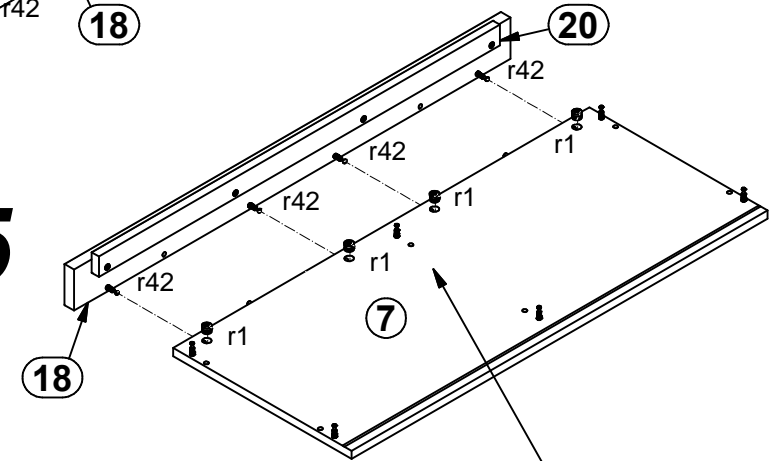
2 



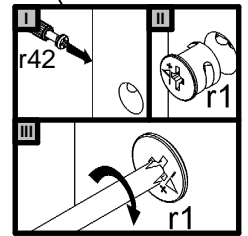
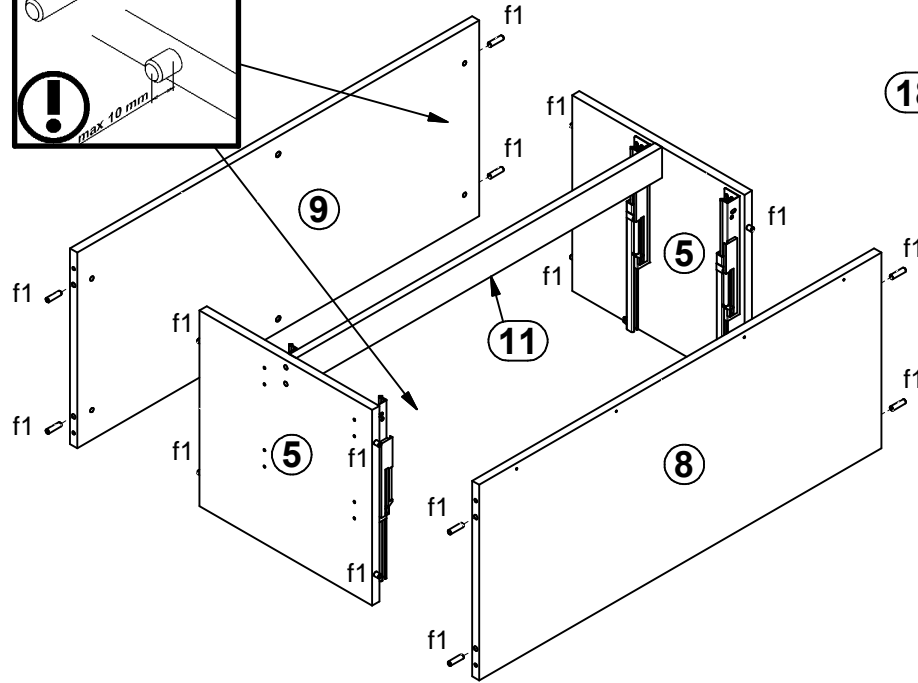
4







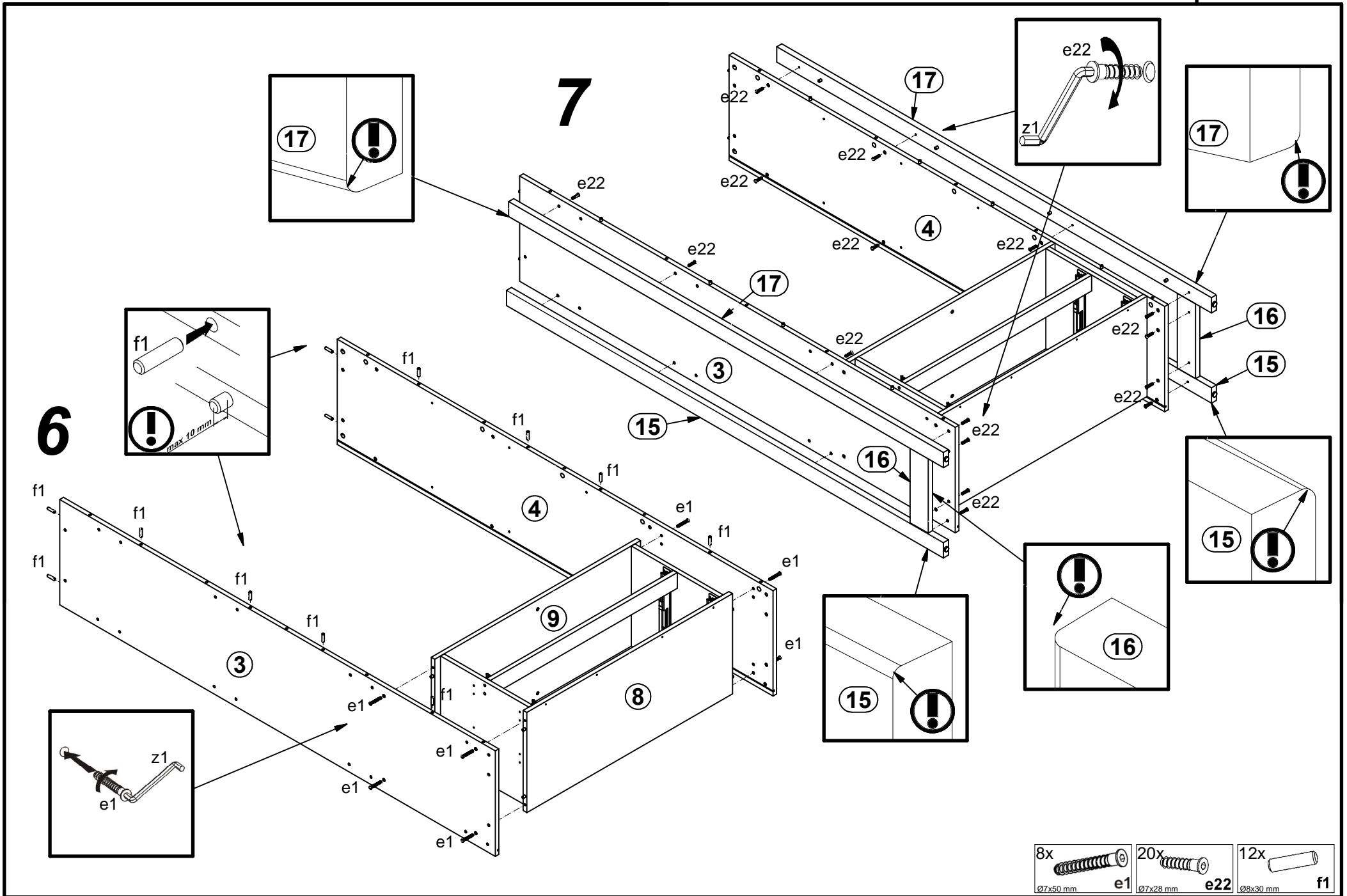
5



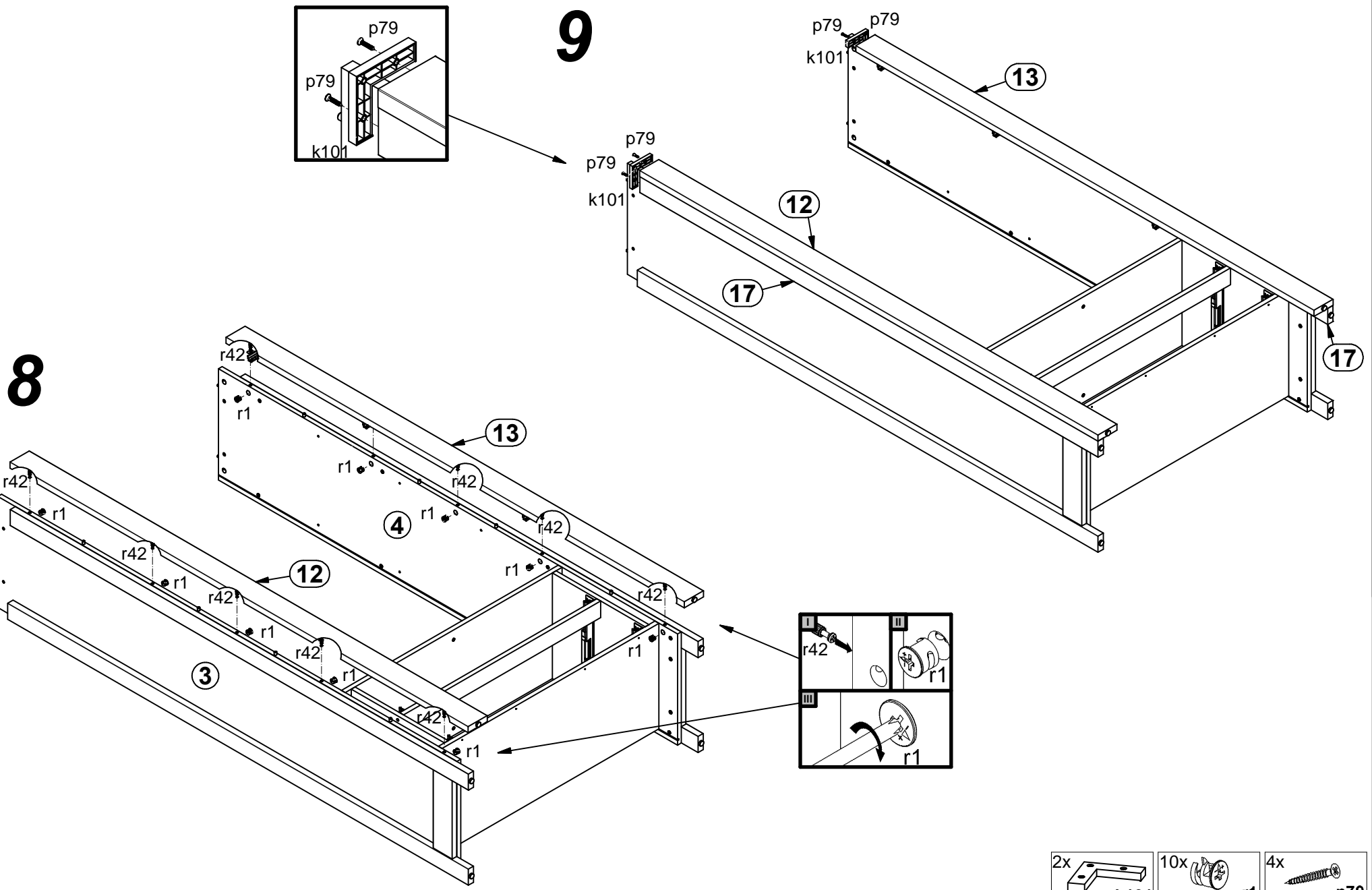
3



12x  f1 Ø8x30 mm	4x  r1 Ø15x12 mm #16	4x  p8 Ø4x25 mm	4x  r42 20/11
--	--	---	---

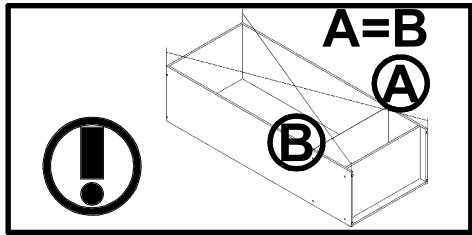
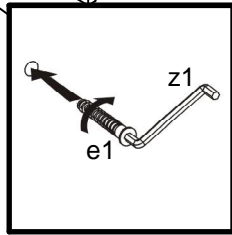
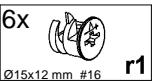
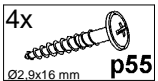
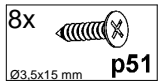
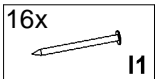
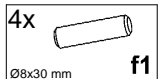
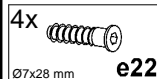
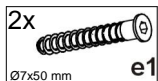
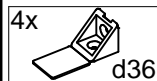
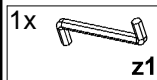
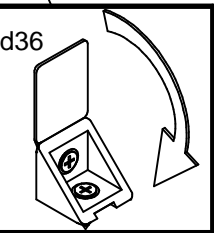
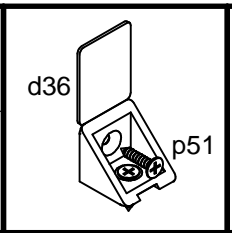
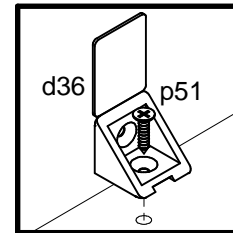
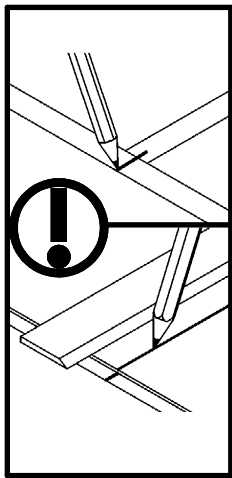
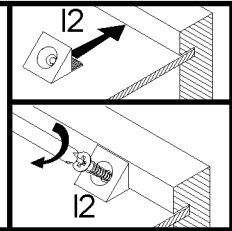
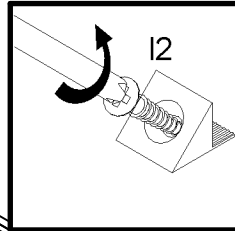
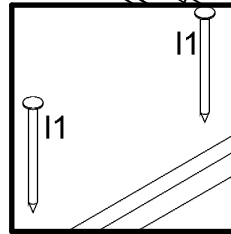
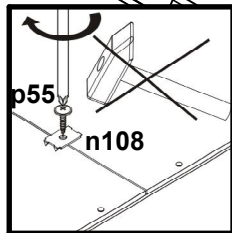
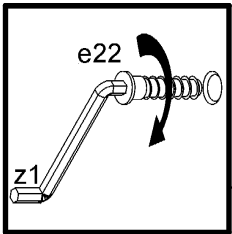
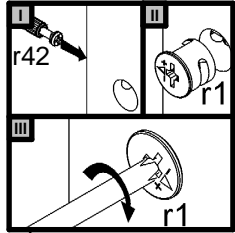
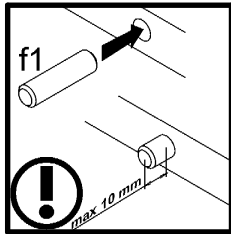
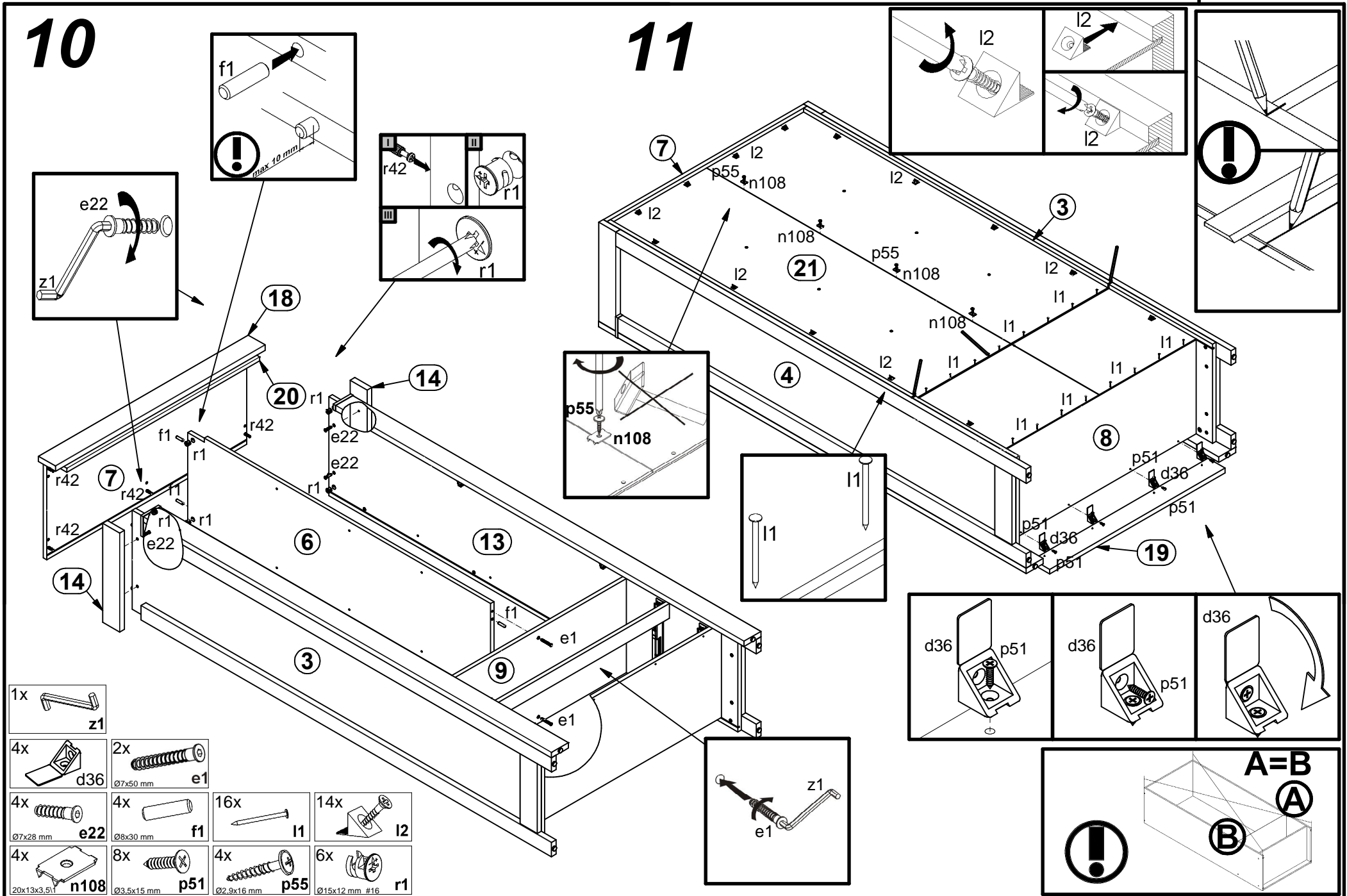


8x Ø7x50 mm e1	20x Ø7x28 mm e22	12x Ø8x30 mm f1
----------------------	------------------------	-----------------------

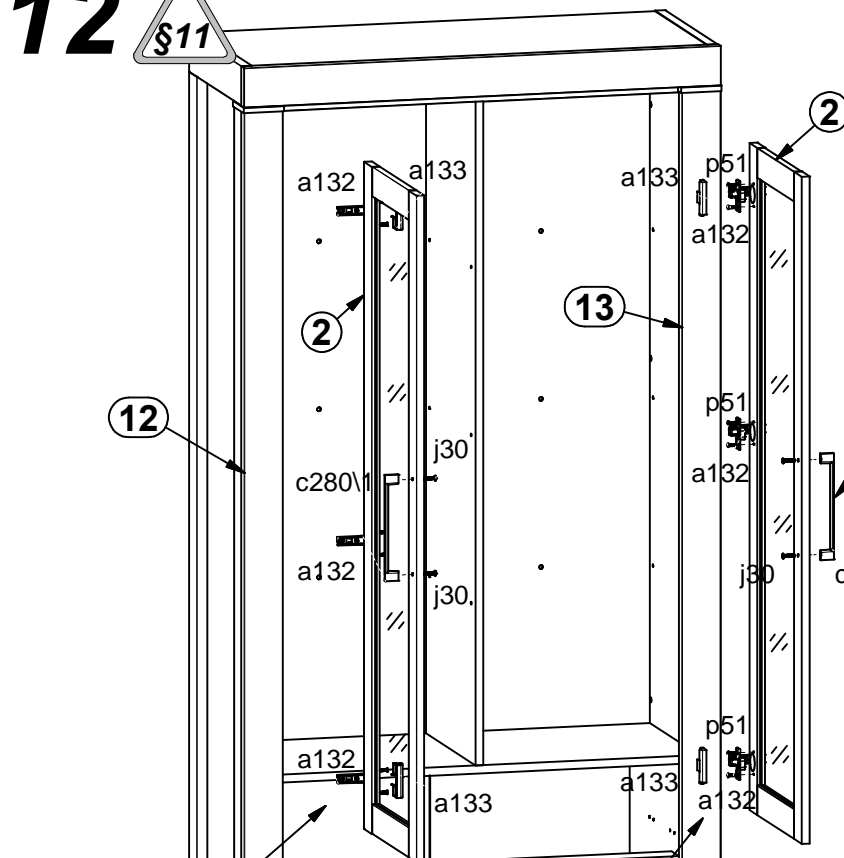


10

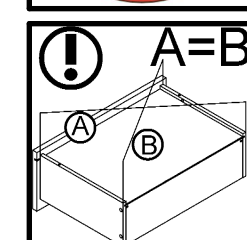
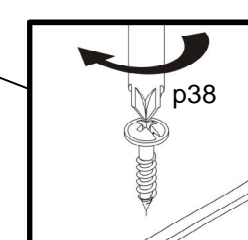
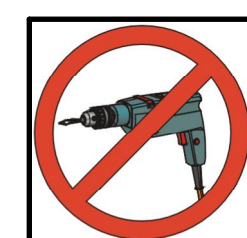
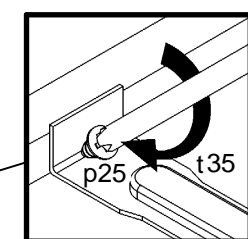
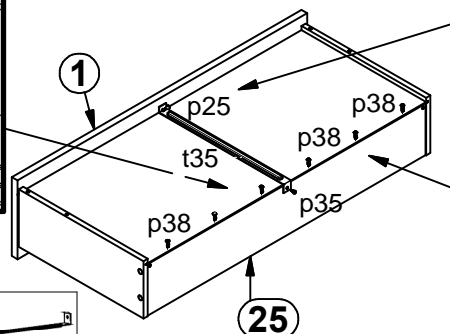
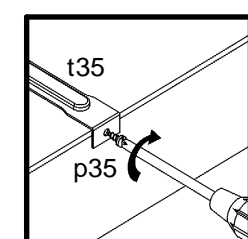
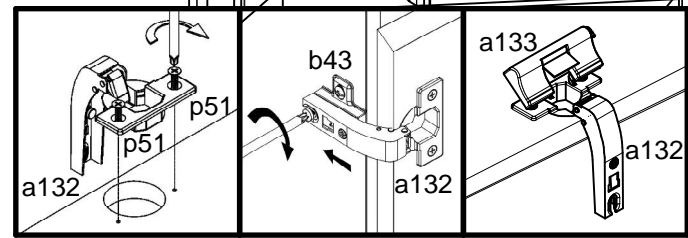
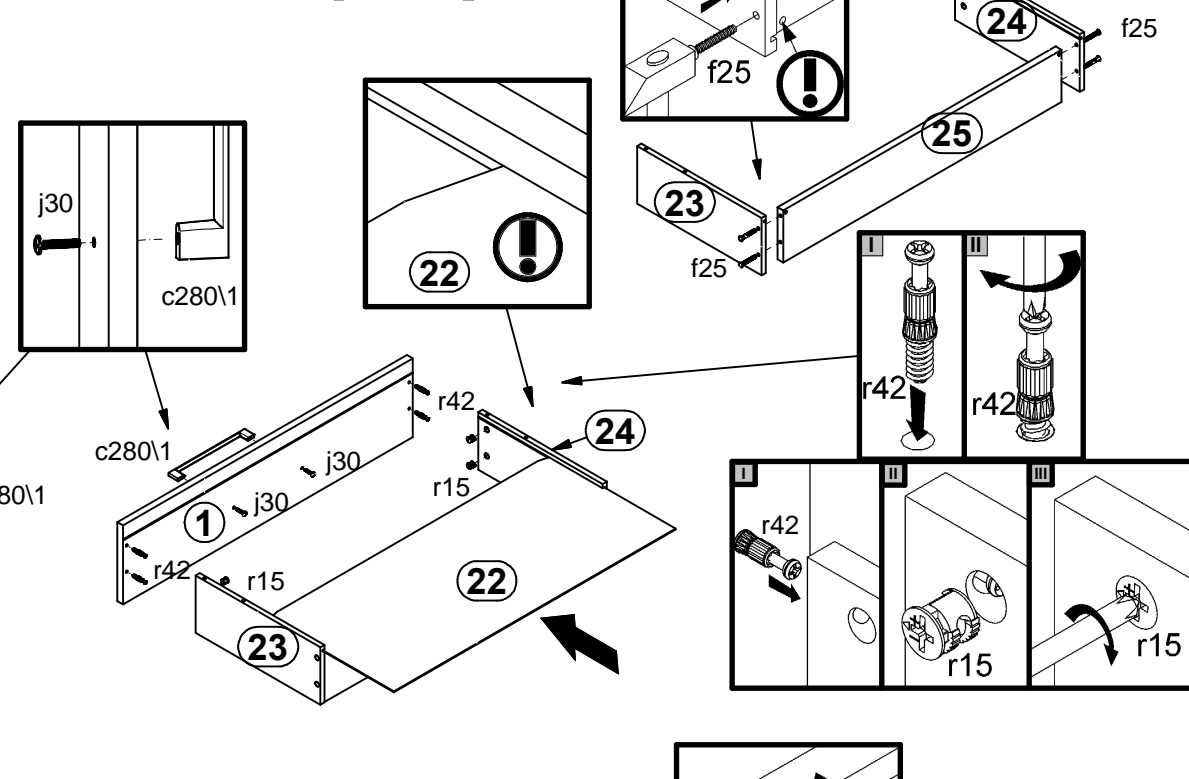
11



12



13 (2x)



- | | | | | |
|----------------|----------------|------------------|----------------|---------------|
| 6x

a132 | 4x

a133 | 4x

c280\1 | 8x

f25 | 8x

j30 |
| 2x

p25 | 2x

p35 | 12x

p38 | 12x

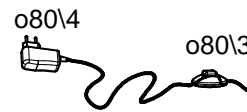
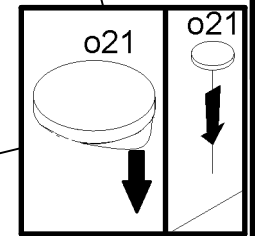
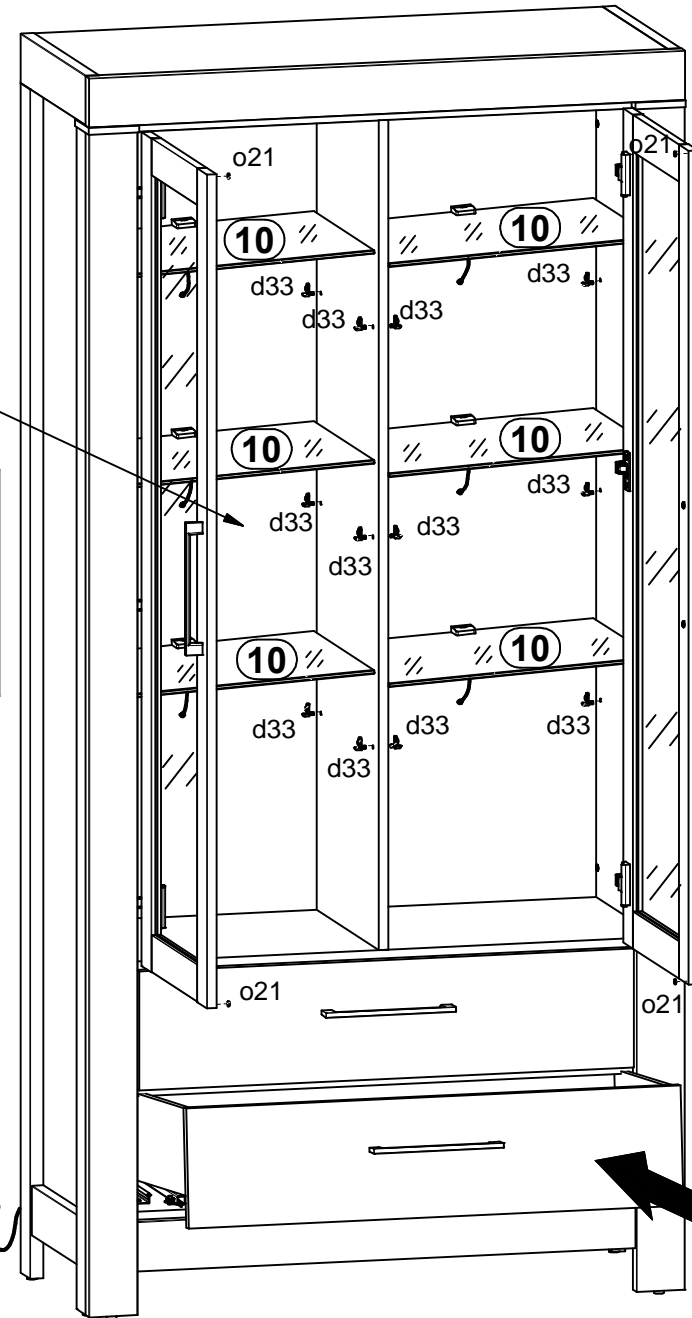
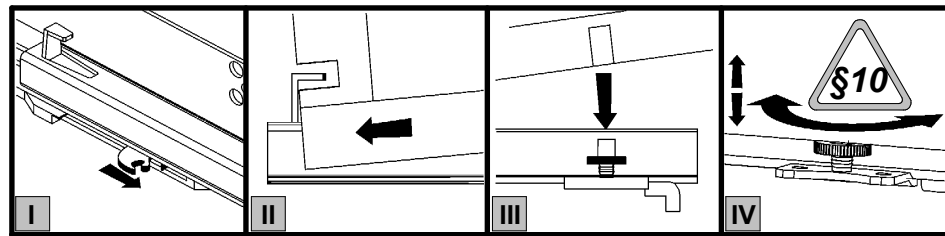
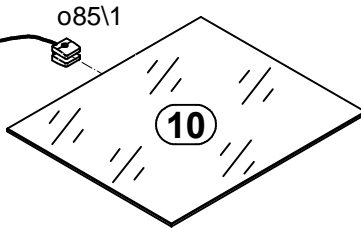
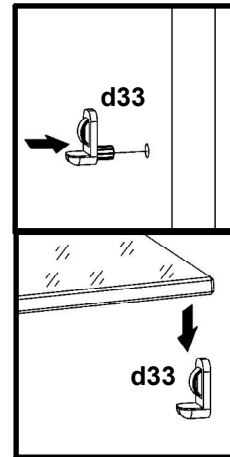
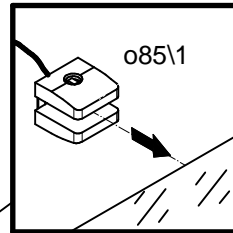
p51 | 8x

r15 |
| | | | 8x

r42 | 2x

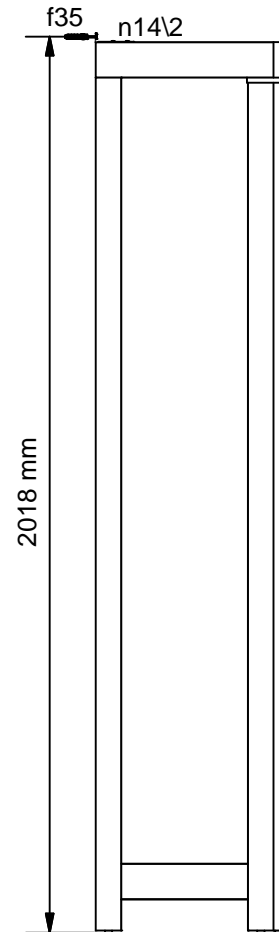
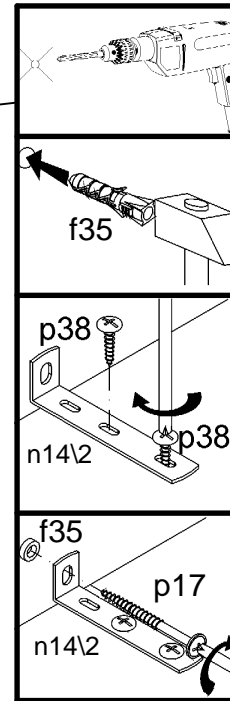
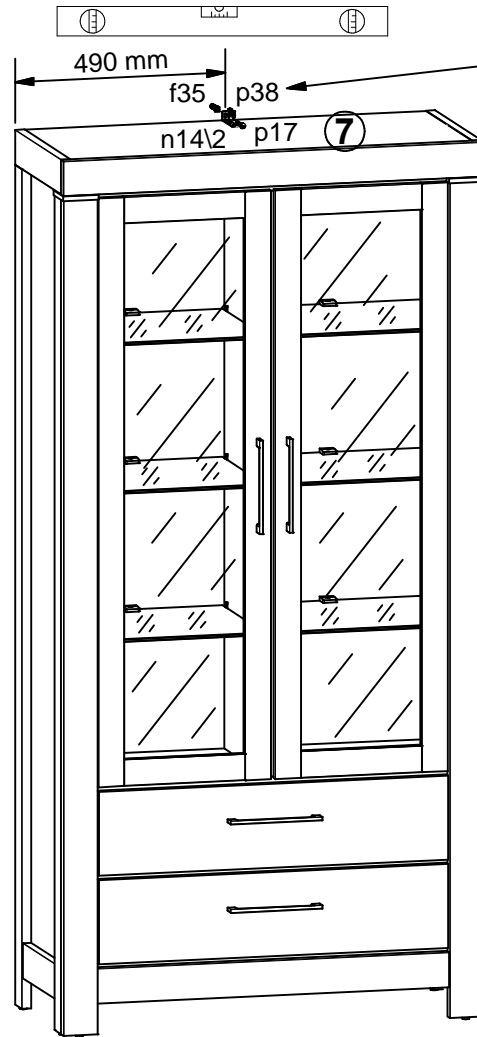
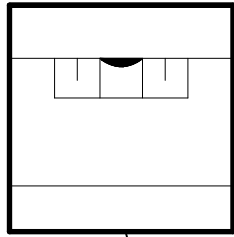
t35 |

14



- 24x d33
- 4x silikon o21
- 1x o803
- 1x 9W o804
- 6x o851

15



- 1x f35
Ø10x50 mm
- 1x n14/2
86x21x15/1.5
- 1x p17
Ø5x60 mm
- 2x p38
Ø3.5x16 mm

