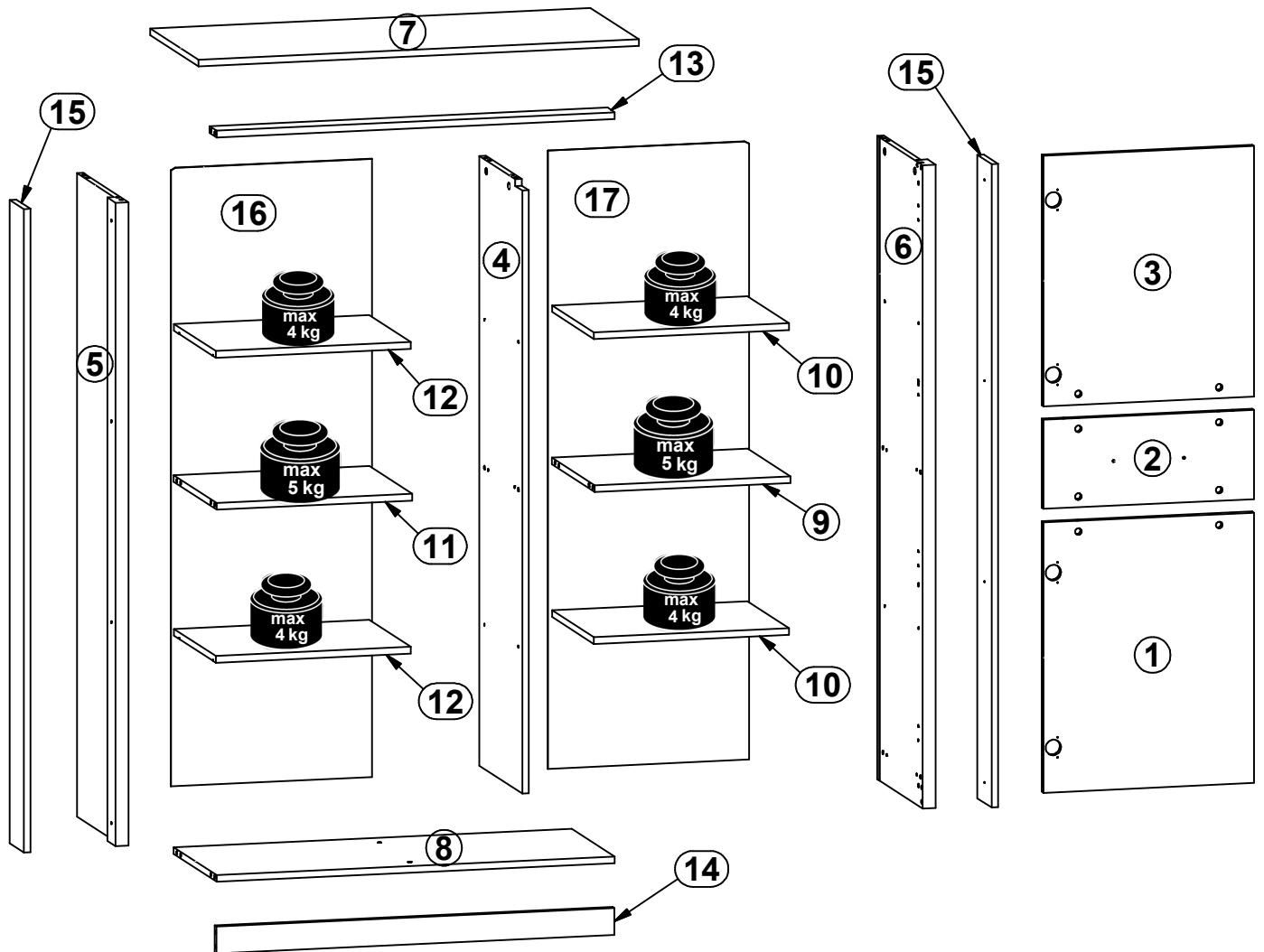
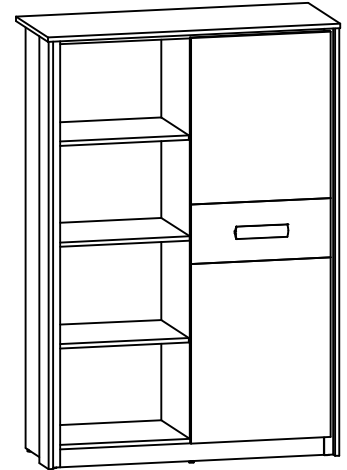
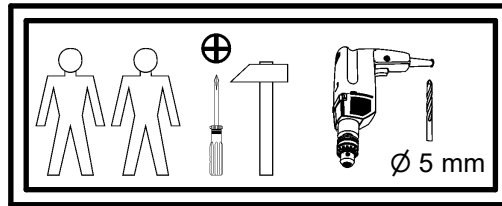
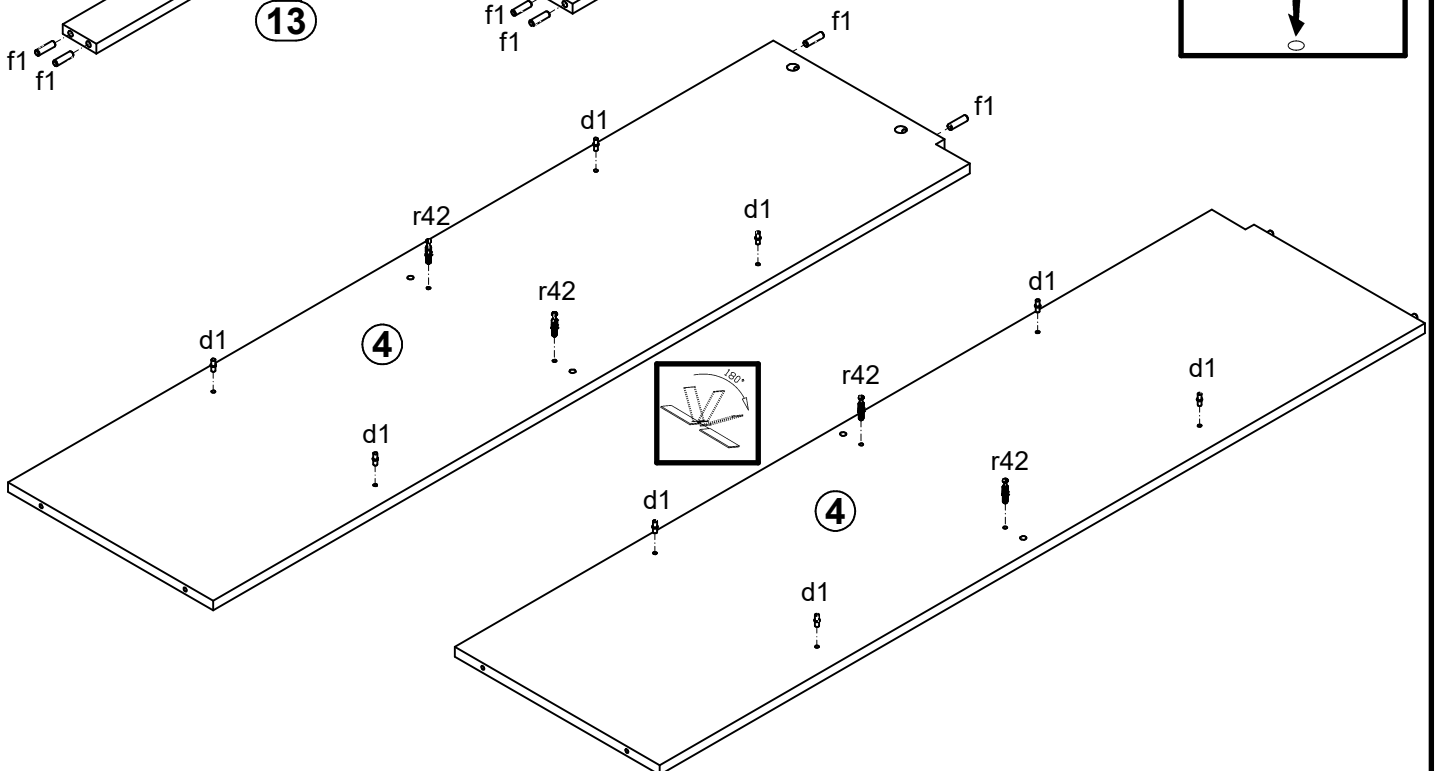
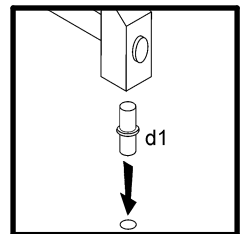
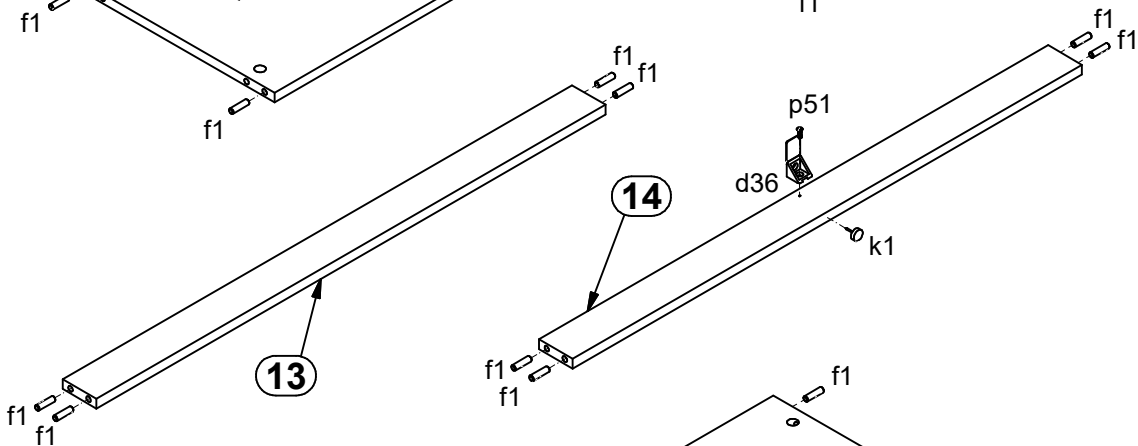
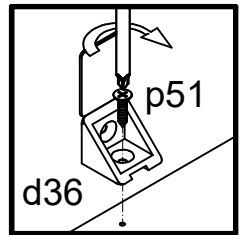
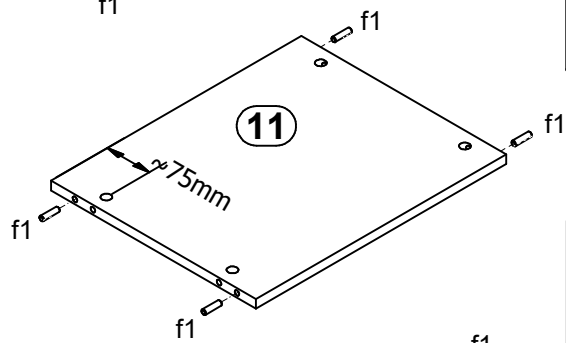
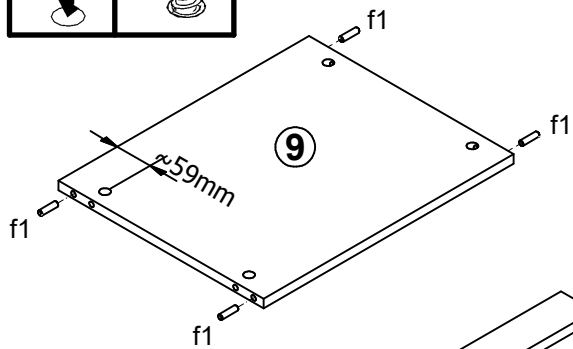
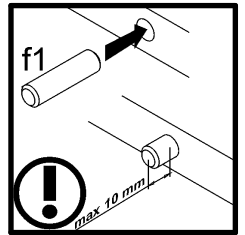
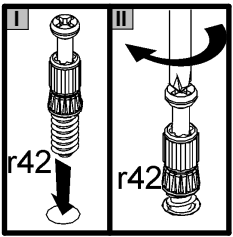
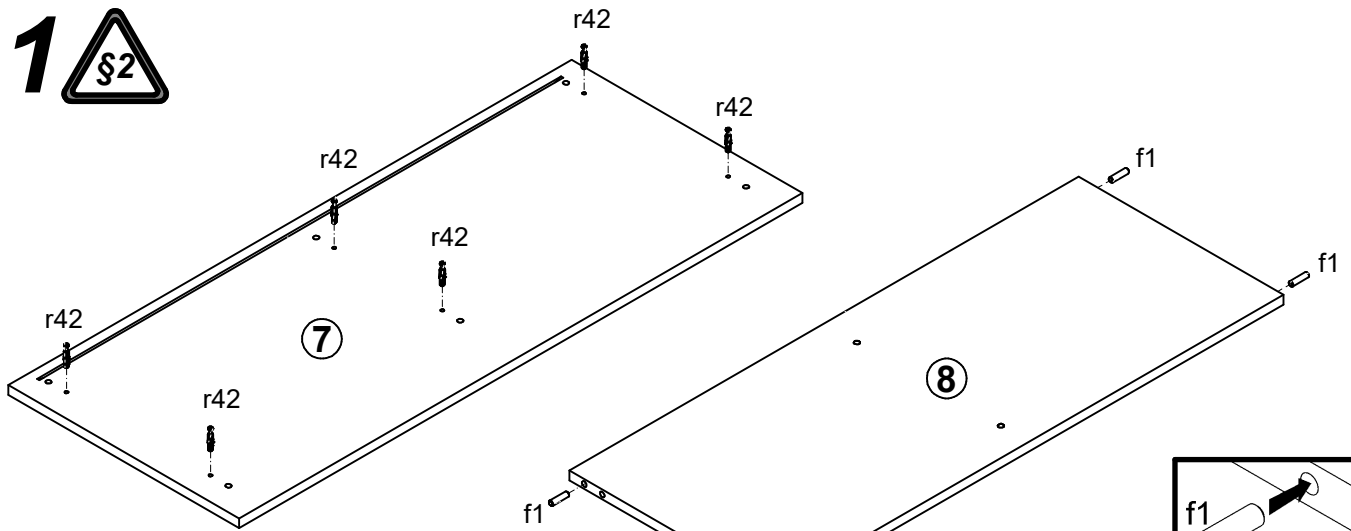


A	B	C	D	
1	S491-0007	478	603	2/2
2	S491-0008	478	199	2/2
3	S491-0009	478	559	2/2
4	S491-1004	1360	364	1/2
5	S491-1005	1435	384	2/2
6	S491-1006	1435	384	2/2
7	S491-2001	1001	410	1/2
8	S491-3001	905	364	1/2
9	S491-3002	445	364	1/2
10	S491-3003	444	354	1/2
11	S492-3004	445	364	1/2
12	S491-3005	444	354	1/2
13	S491-4001	905	60	1/2
14	S491-4002	905	60	1/2
15	S491-5001	1435	120	2/2
16	S491-9001	1379	457	2/2
17	S491-9004	1379	457	2/2

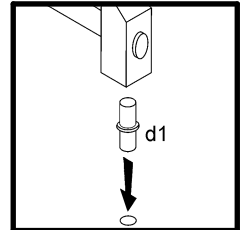
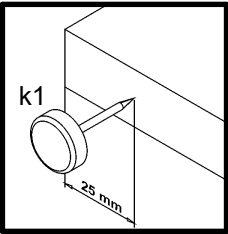
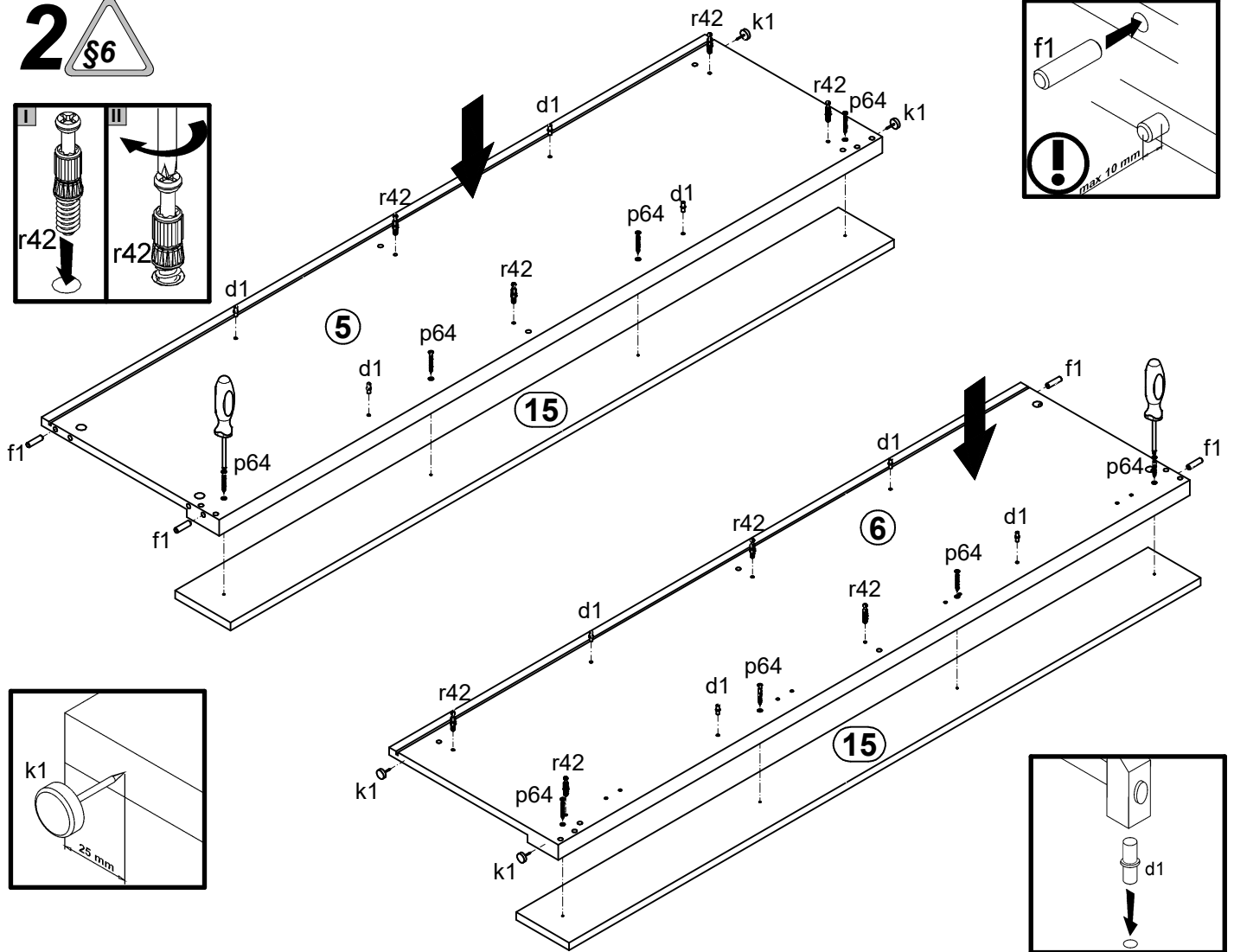
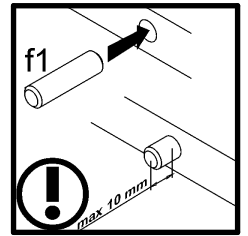
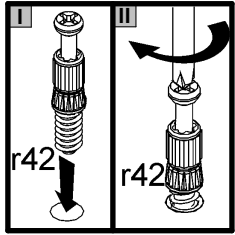


2x Ø35 hamulec <b>a204</b>	2x Ø35 <b>a211</b>	4x Ø4 <b>b92</b>	1x 160mm <b>c506</b>	16x Ø5x17 mm <b>d1</b>	1x <b>d36</b>	2x Ø7x50 mm <b>e1</b>	32x Ø8x30 mm <b>f1</b>	5x <b>k1</b>
8x <b>i2</b>	7x 22x9,5x20,7 mm <b>n108</b>	10x Ø3,5x15 mm <b>p51</b>	19x Ø2,9x16 mm <b>p55</b>	2x Ø4x22 mm <b>p60</b>	8x Ø4x40 mm <b>p64</b>	26x Ø15x12 mm #16 <b>r1</b>	18x 20/11 <b>r42</b>	4x 40 mm <b>r51</b>
5x Ø14x0,5 mm <b>s59</b>	14x Ø 20mm <b>s68</b>	1x 4 mm <b>z1</b>				1x <b>n26</b>	1x Ø3,5x16 mm <b>p38</b>	

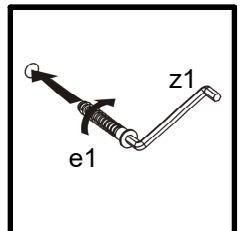
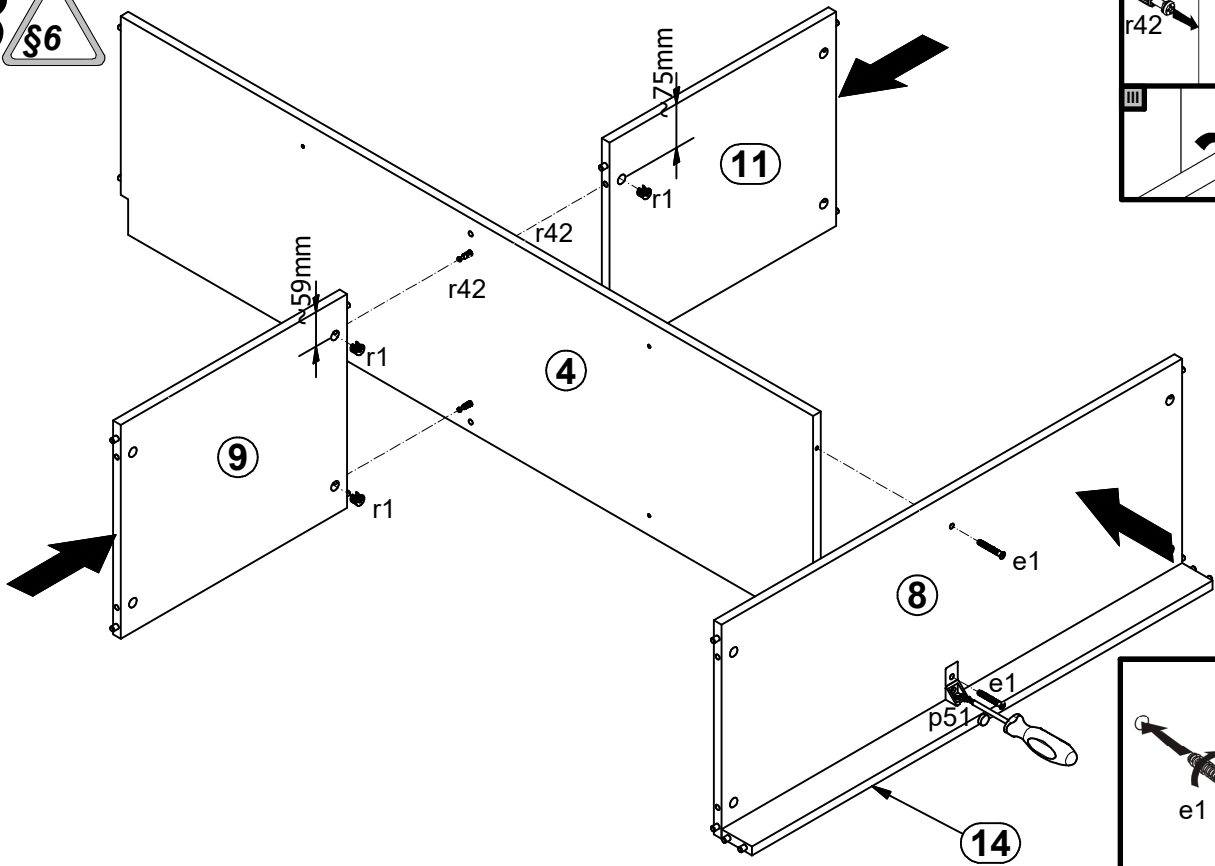
1 §2



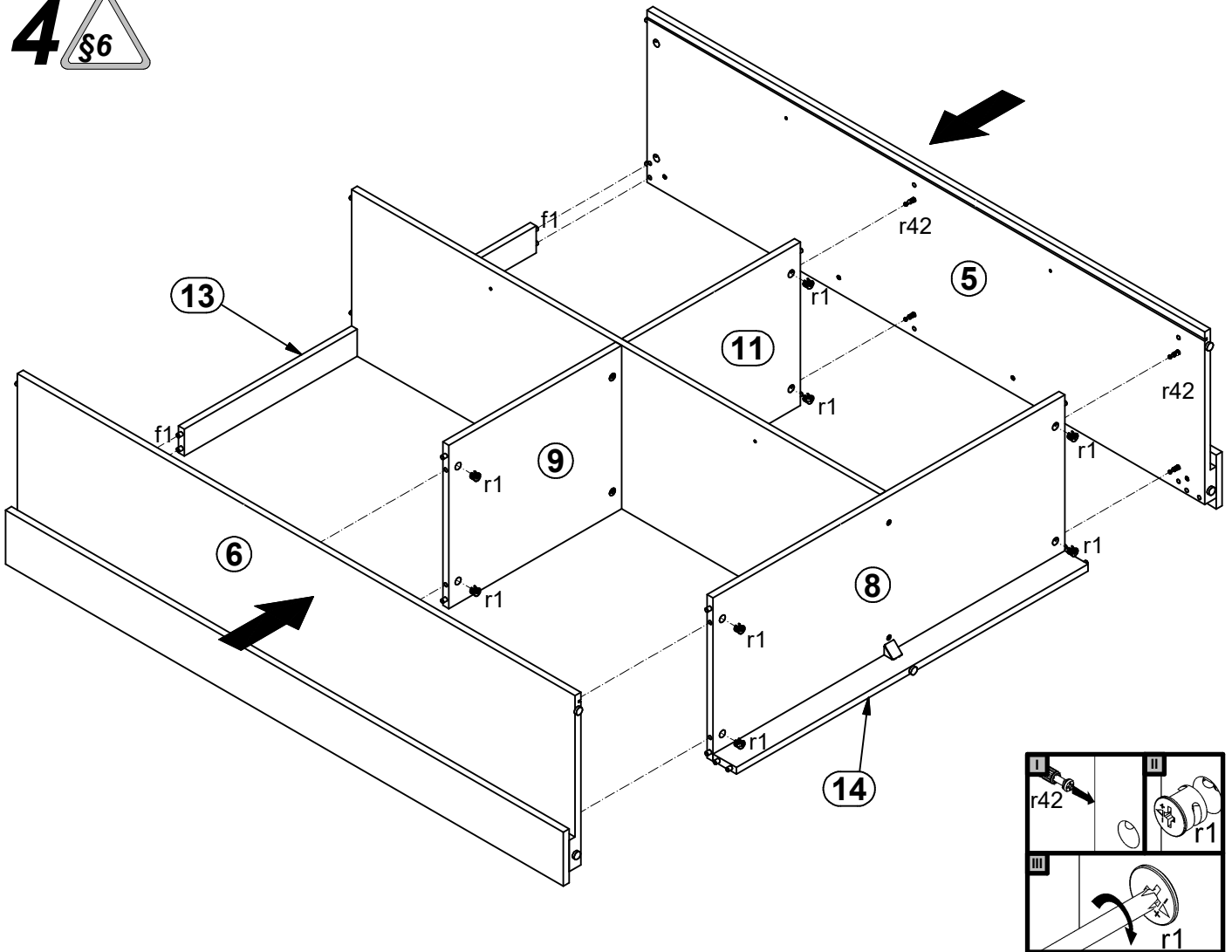
# 2



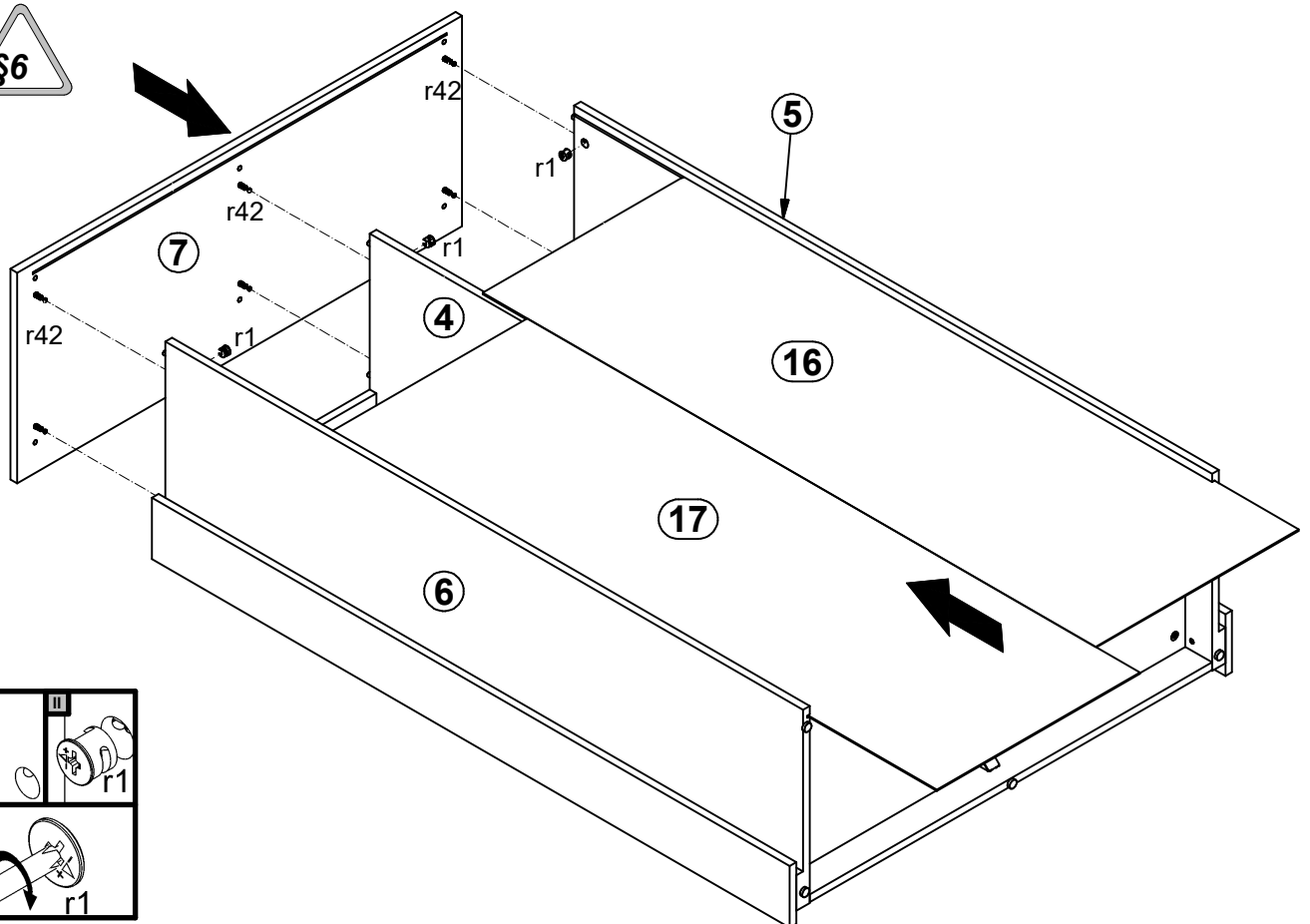
# 3

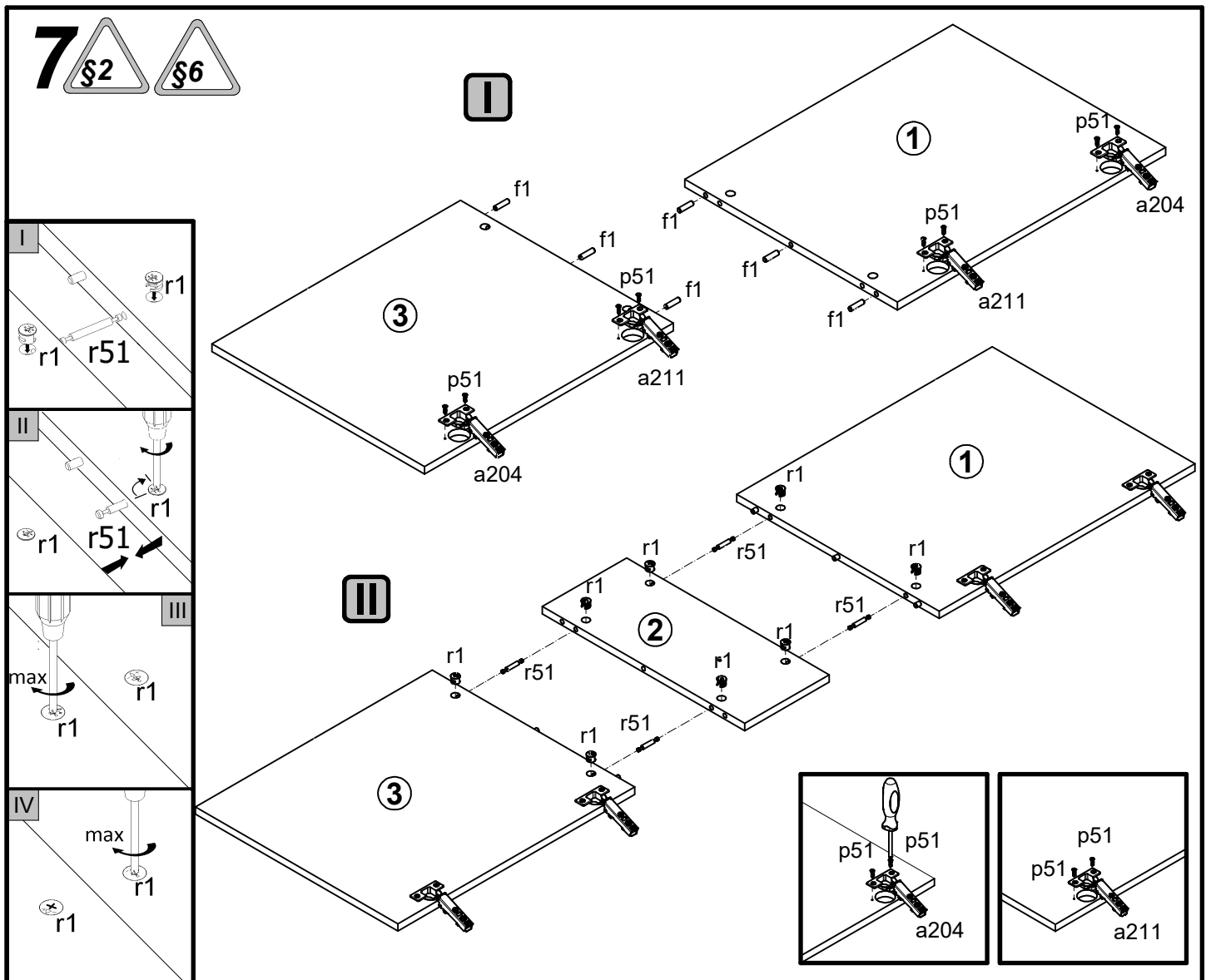
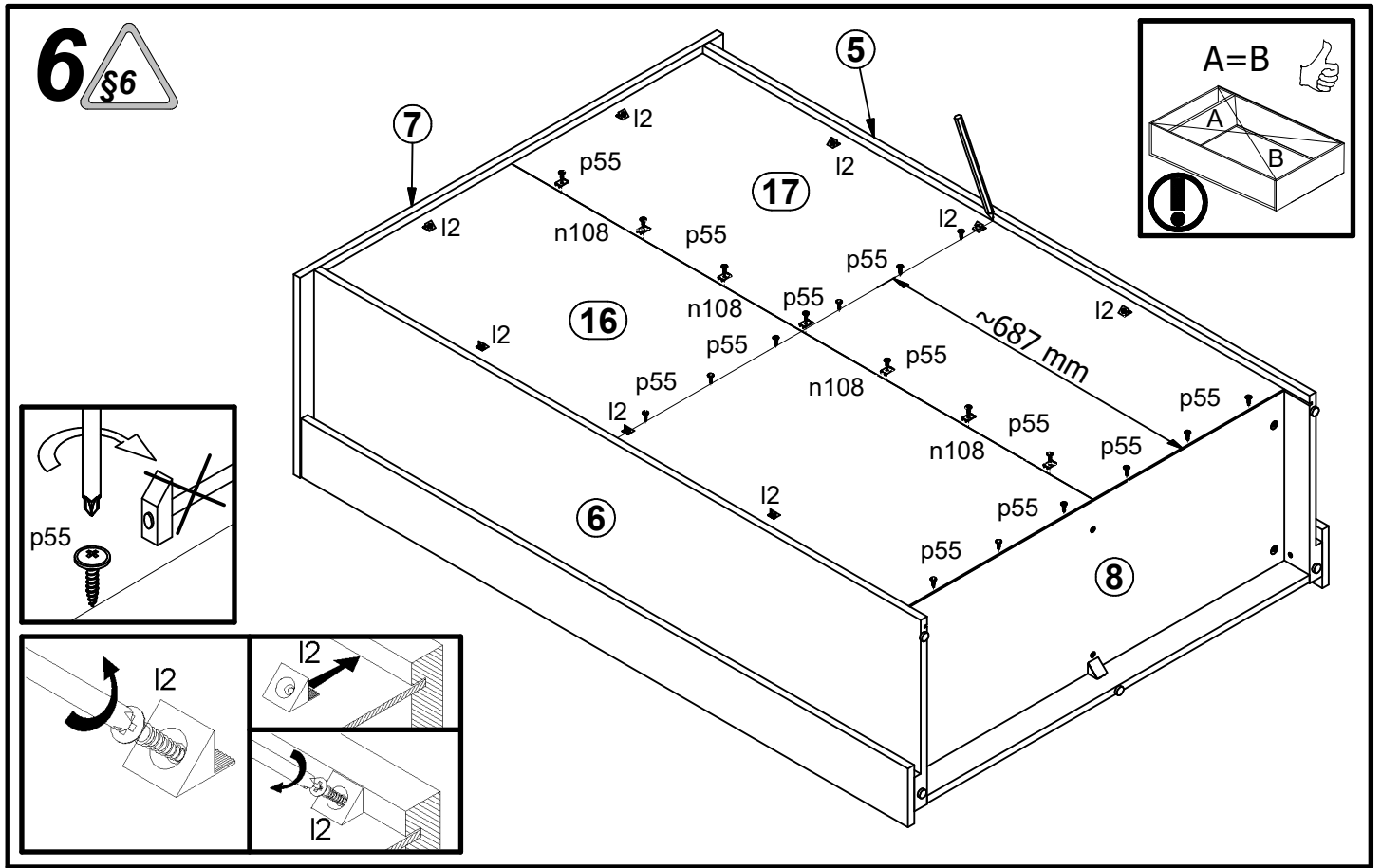


4 §6



5 §6





8 

