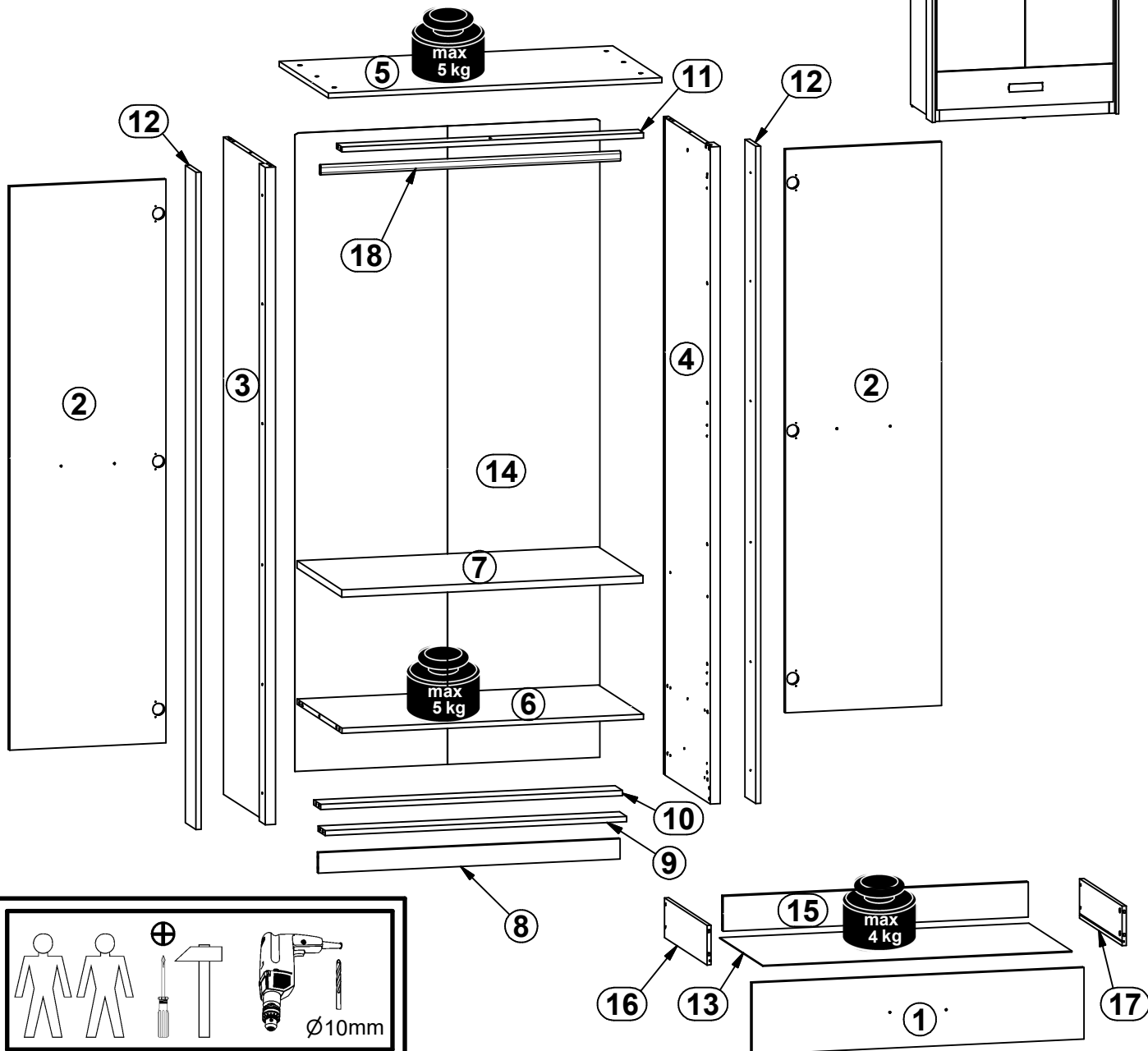
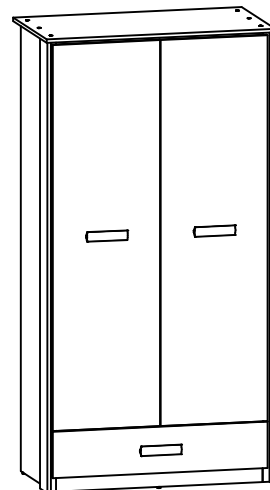
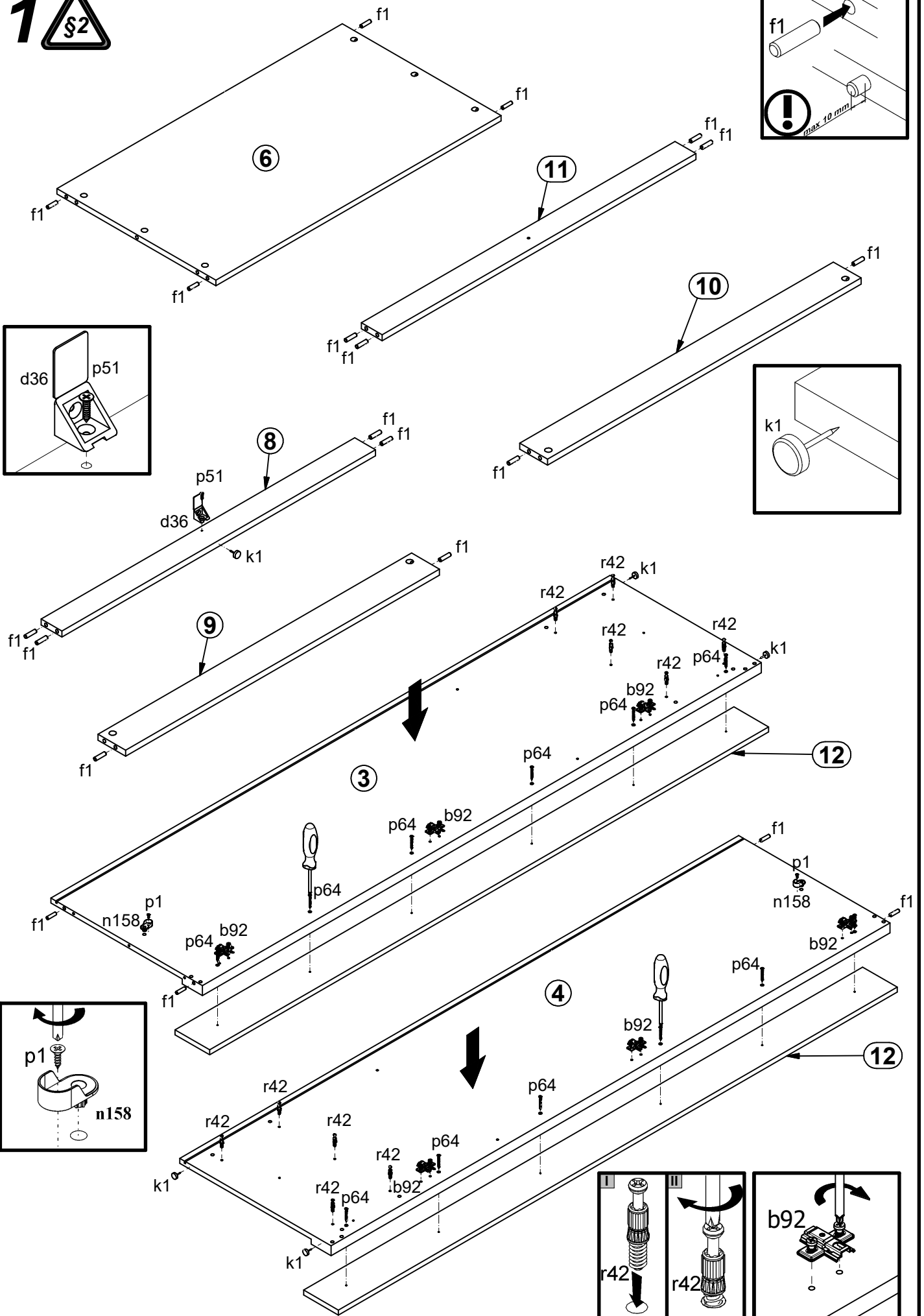
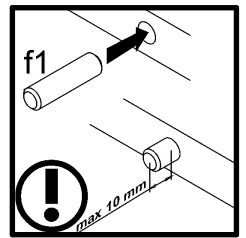


A	B	C	D	A	B	C	D
1	S491-0014	941	199	1/3	10	S491-4006	905 80 1/3
2	S491-0015	1659	469	3/3	11	S491-4010	905 60 1/3
3	S491-1011	1935	524	2/3	12	S491-5004	1935 120 2/3
4	S491-1012	1935	524	2/3	13	S491-9005	876 457 1/3
5	S491-2003	1001	550	1/3	14	S491-9301	1879 915 3/3
6	S491-3011	905	504	1/3	15	ZQ6-5301	865 97 1/3
7	S491-3012	904	500	1/3	16	ZQ6-537	450 110 1/3
8	S491-4002	905	60	1/3	17	ZQ6-538	450 110 1/3
9	S491-4005	905	80	1/3	18	dr-900	900 30 1/3

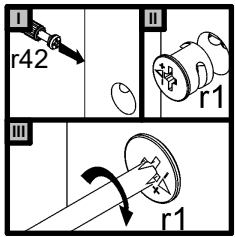
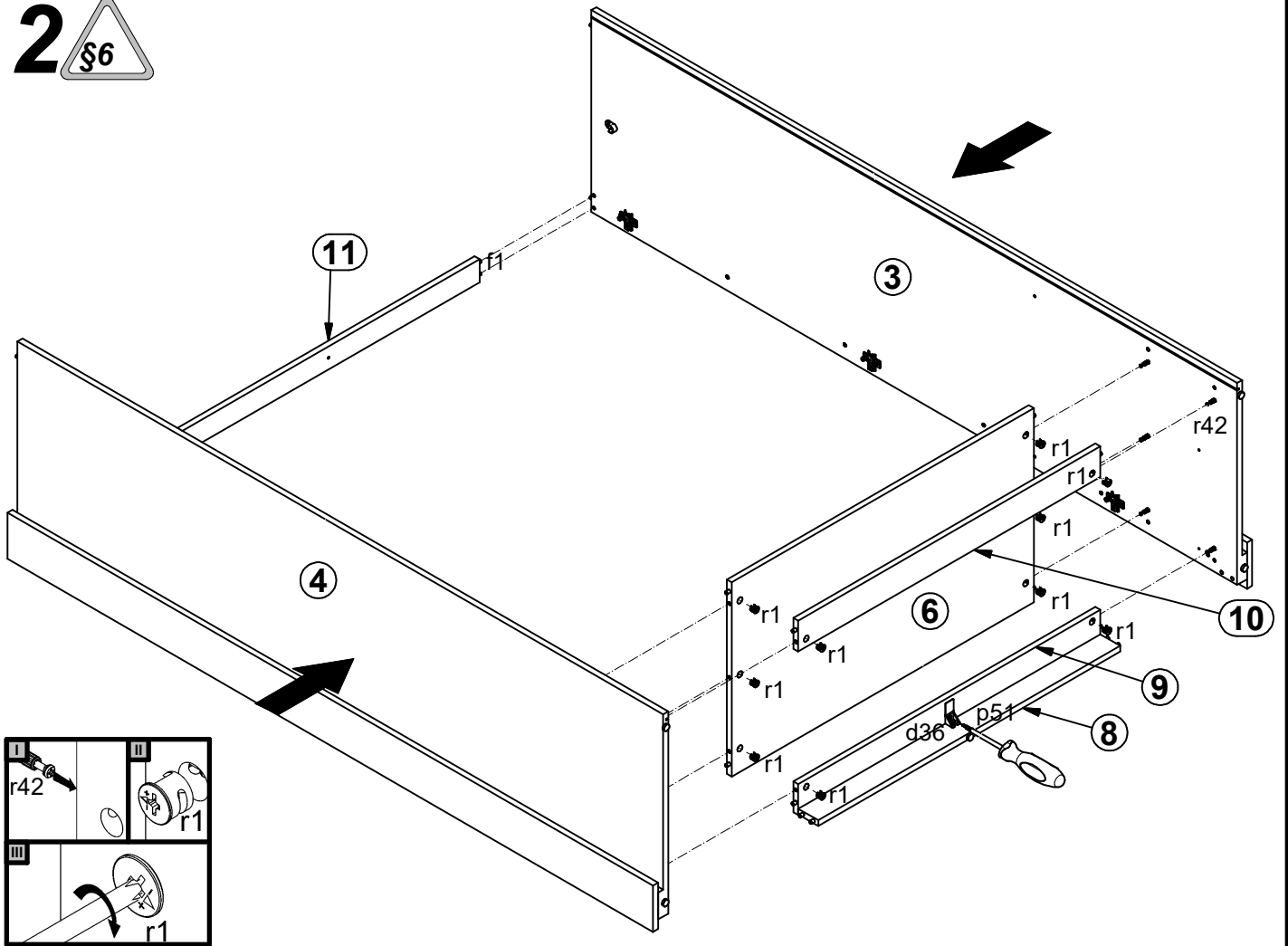


4x Ø35 a204	2x Ø35 a211	6x b92	3x 160mm c506	4x Ø5x17 mm d1	1x d36	6x Ø7x50 mm e1	4x Ø6x13 mm e3	20x Ø8x30 mm f1
4x Ø6,5x40 mm f25	5x k1	12x l2	2x n158	2x Ø3,5x13 mm p1	1x Ø3,5x10 mm p35	1x Ø4x25 mm p36	15x Ø3,5x15 mm p51	18x Ø2,9x16 mm p55
6x Ø4x22 mm p60	12x Ø4x40 mm p64	10x Ø15x12 mm #16 r1	4x Ø12x10,5 mm #12 r15	14x 20/11 r42	1x 450 mm t38	1x L=450 mm w196\L	1x L=450 mm w196\P	13x Ø14x0,5 mm s59
1x 4 mm z1					1x 86x21x15/1,5 n14\2	2x Ø3,5x15 mm p51	1x Ø10x50 mm f35	1x Ø5x60 mm p17

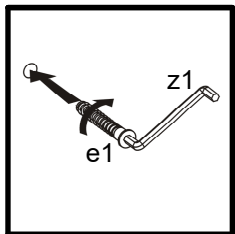
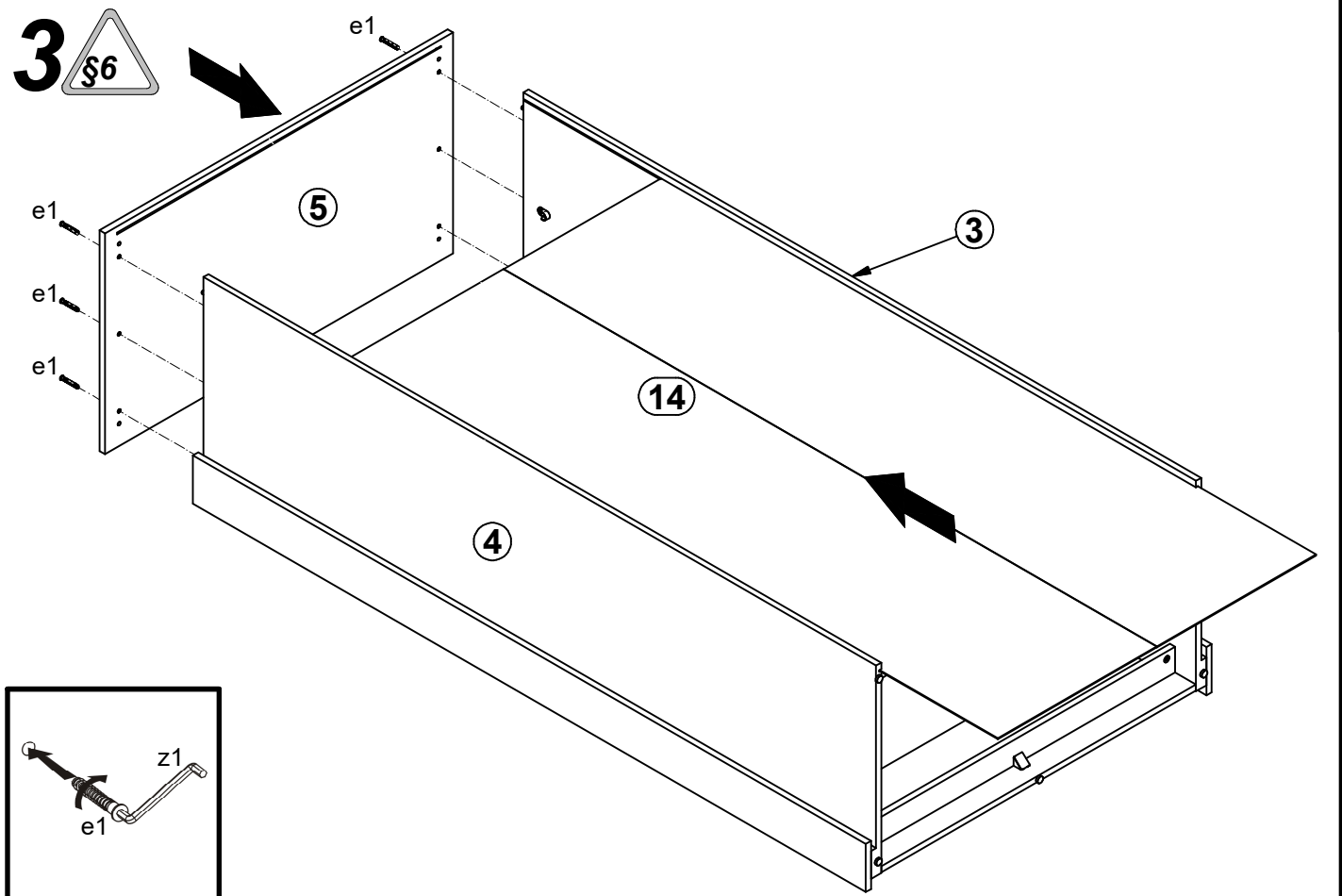
1 



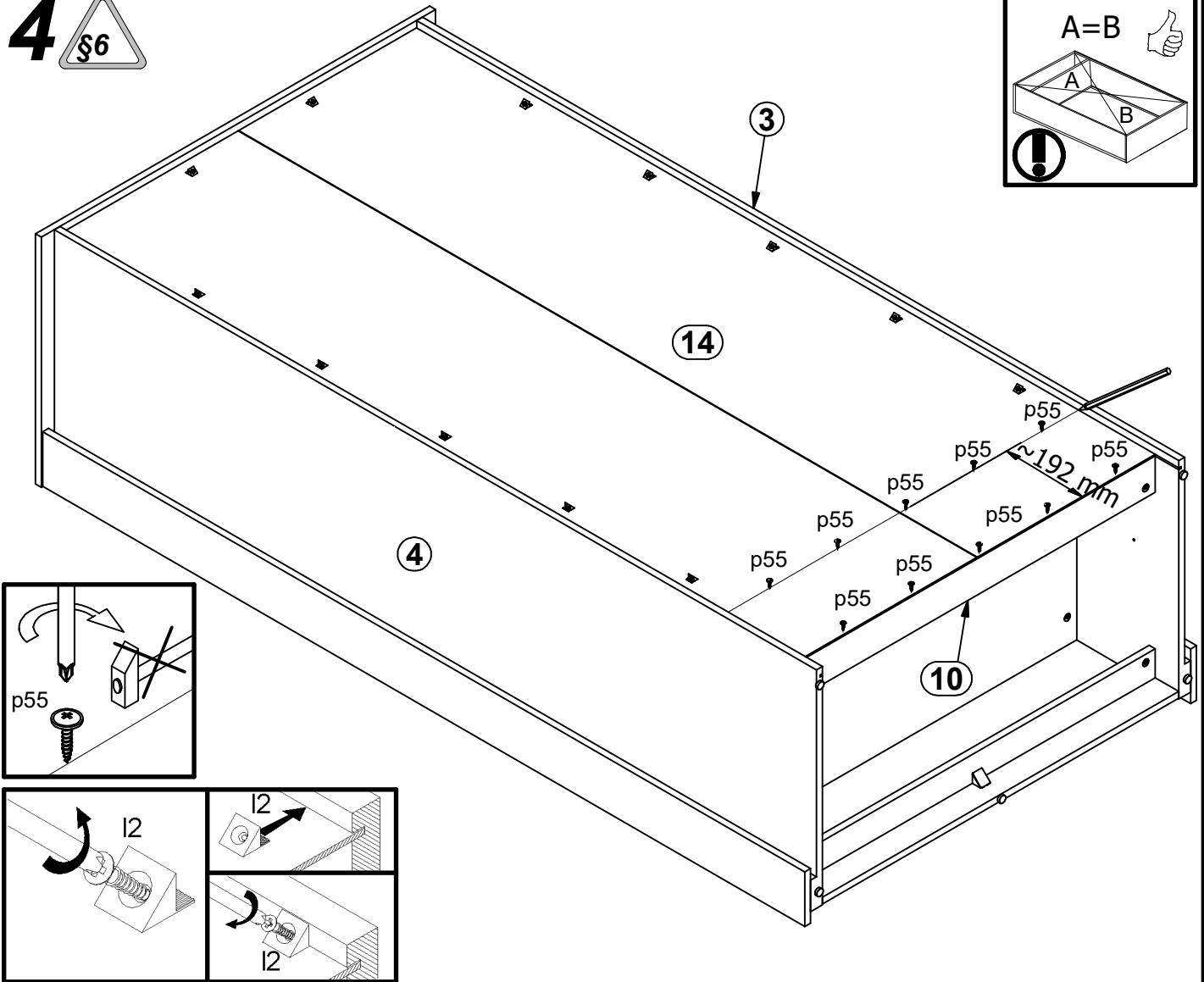
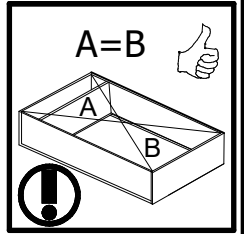
# 2



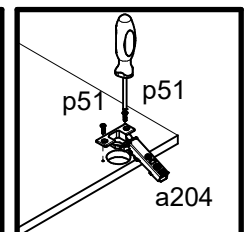
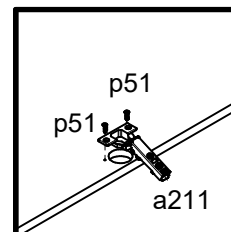
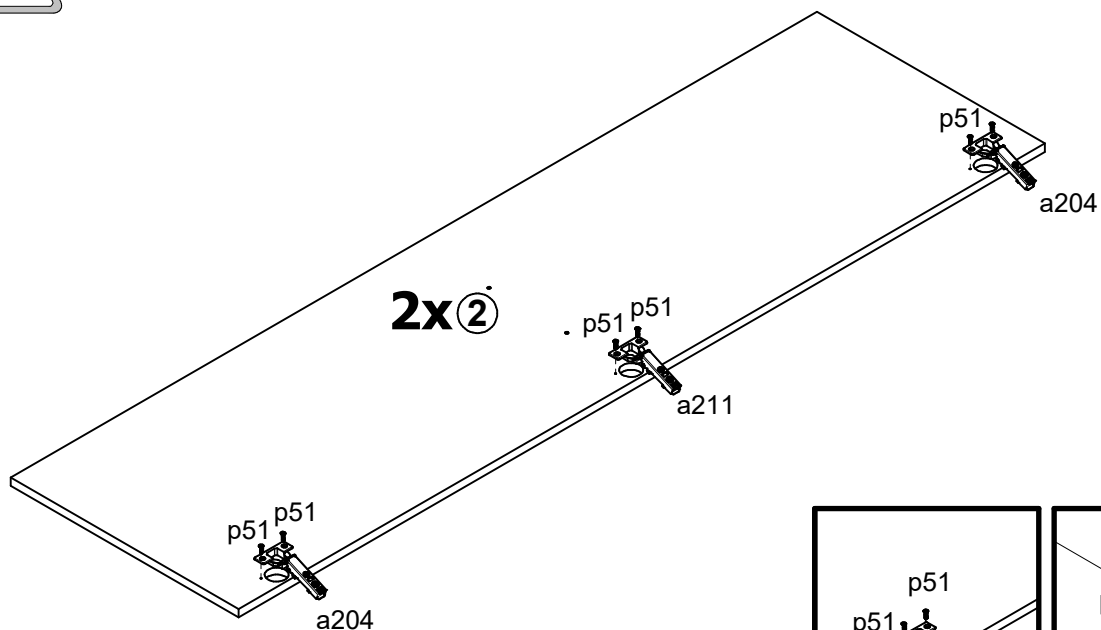
# 3



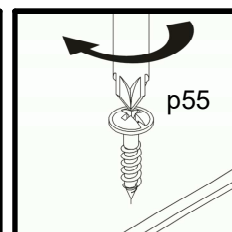
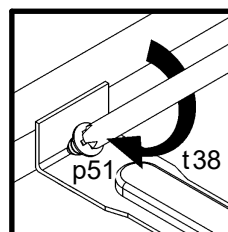
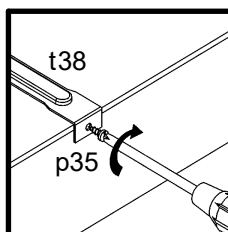
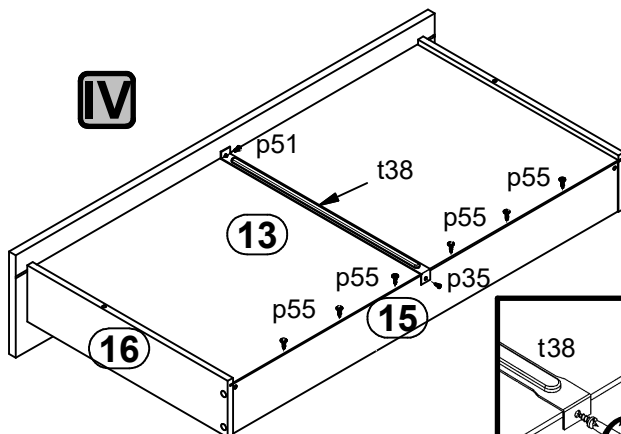
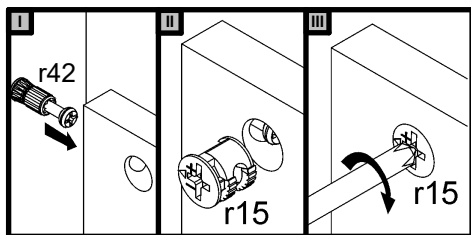
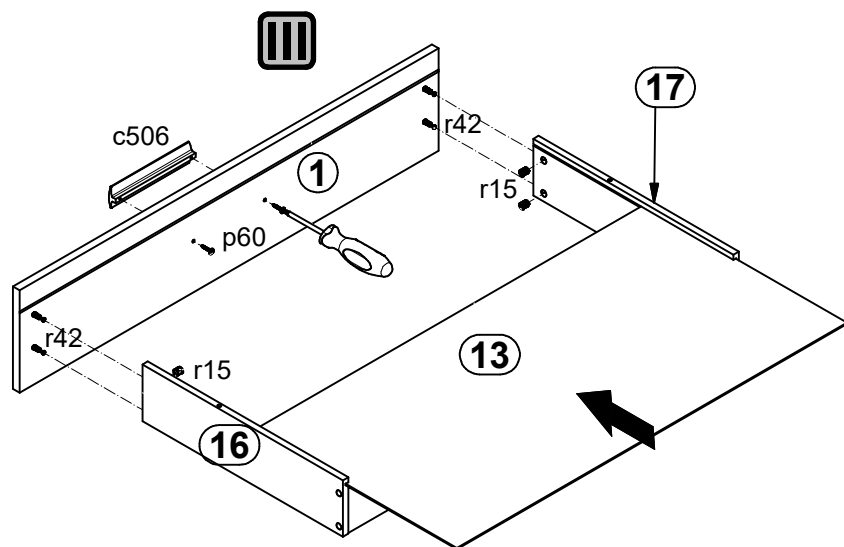
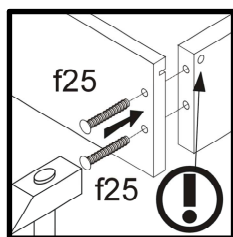
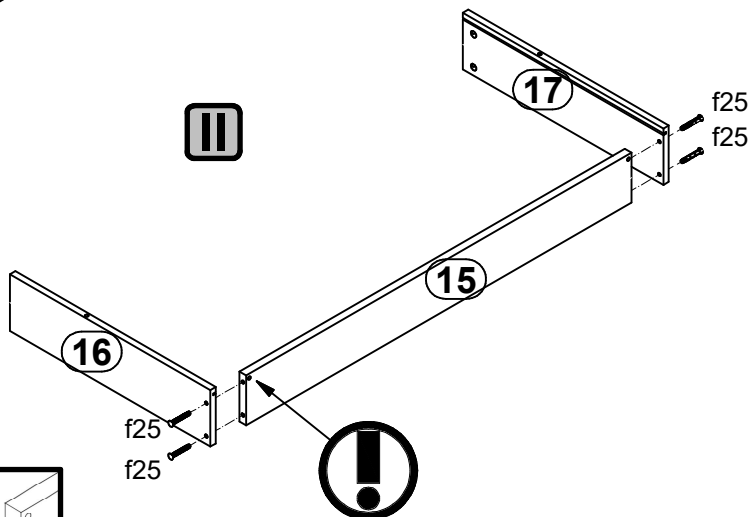
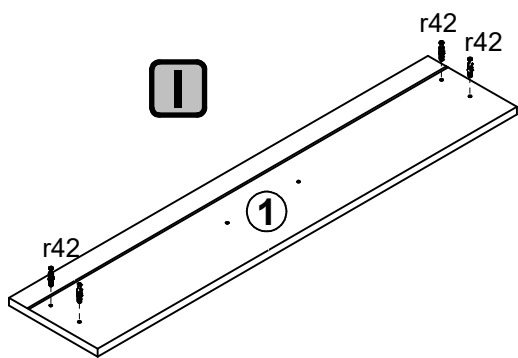
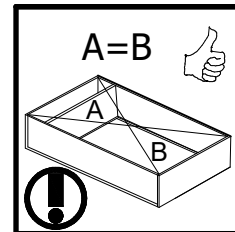
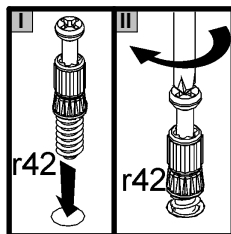
4 §6



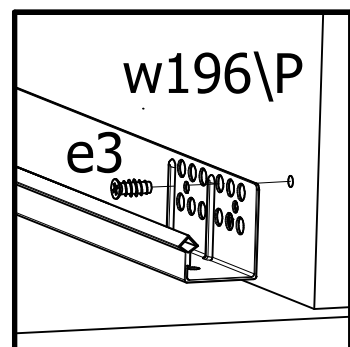
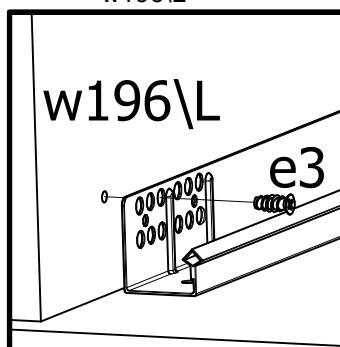
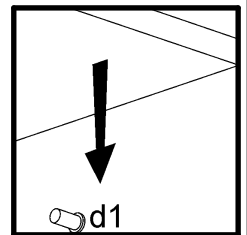
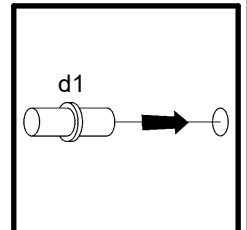
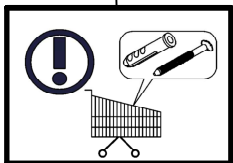
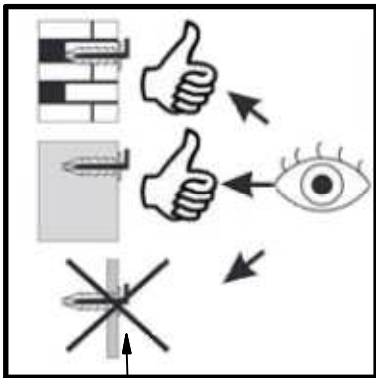
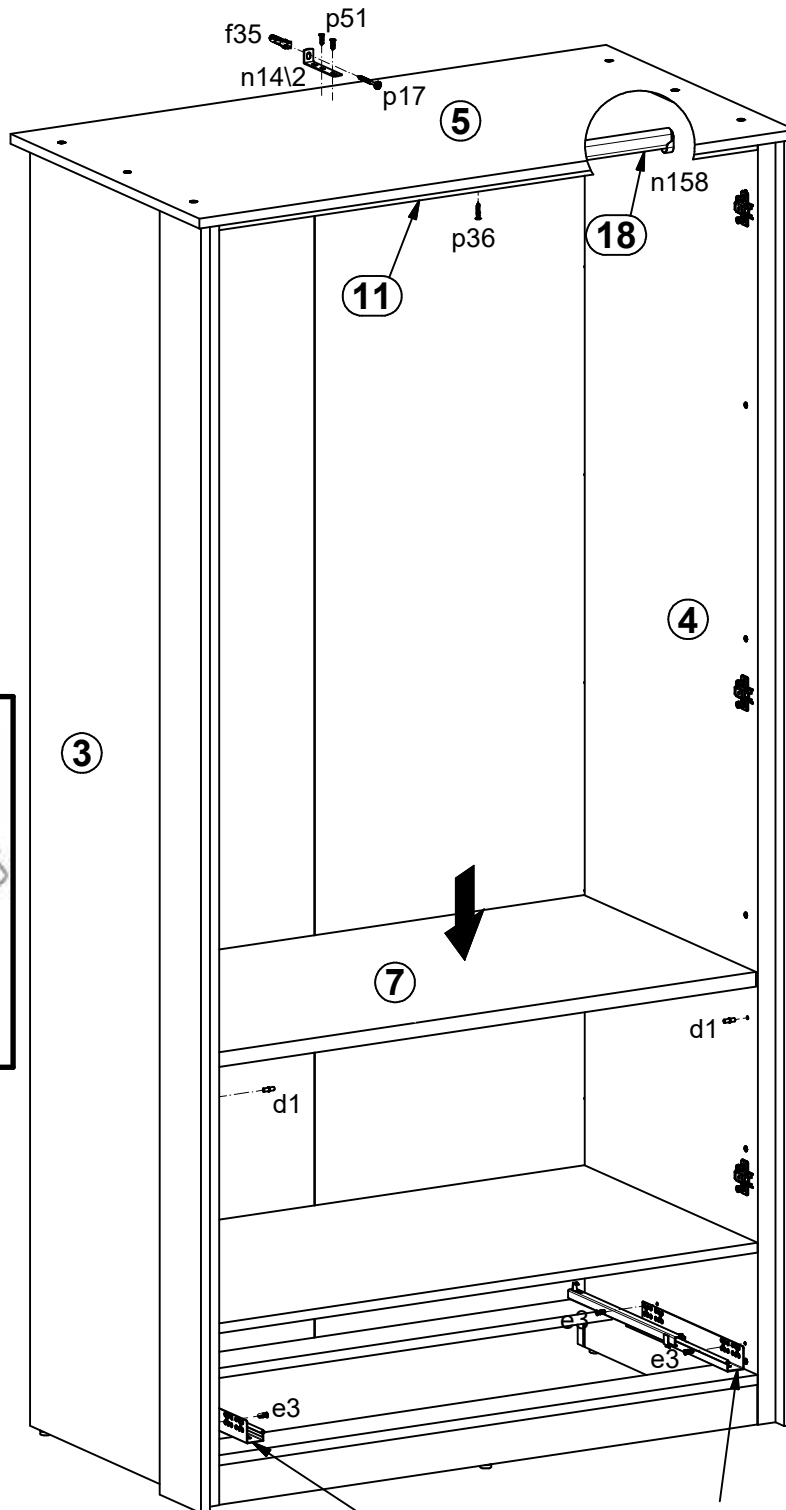
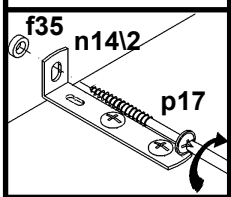
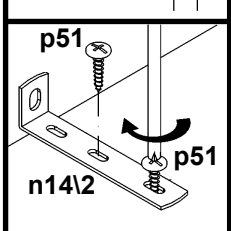
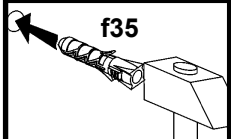
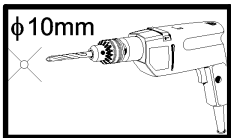
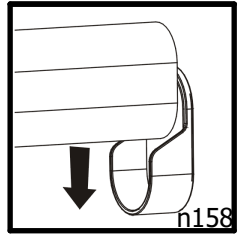
5 §2



6 §2 §6



# 7 §6



8 §6

§21  
s59

