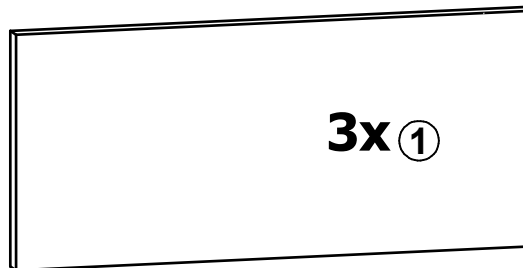
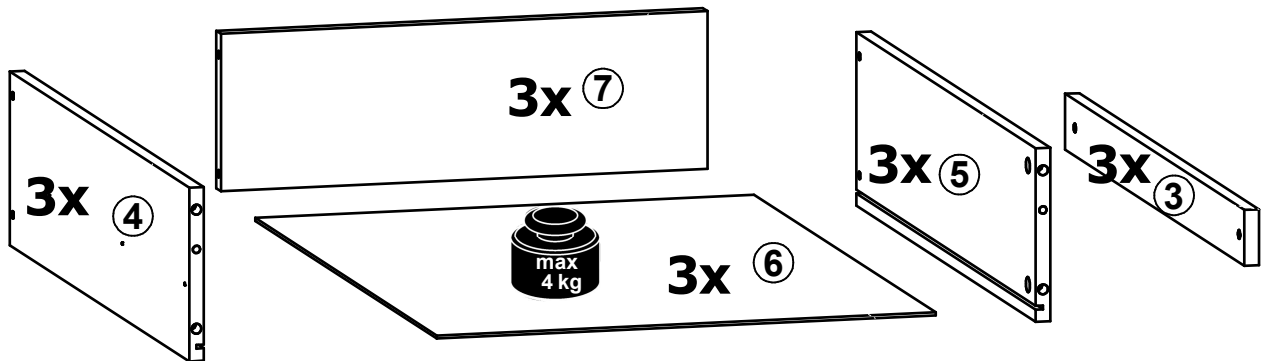
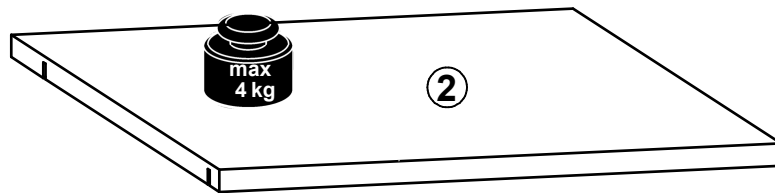
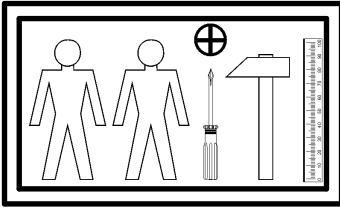
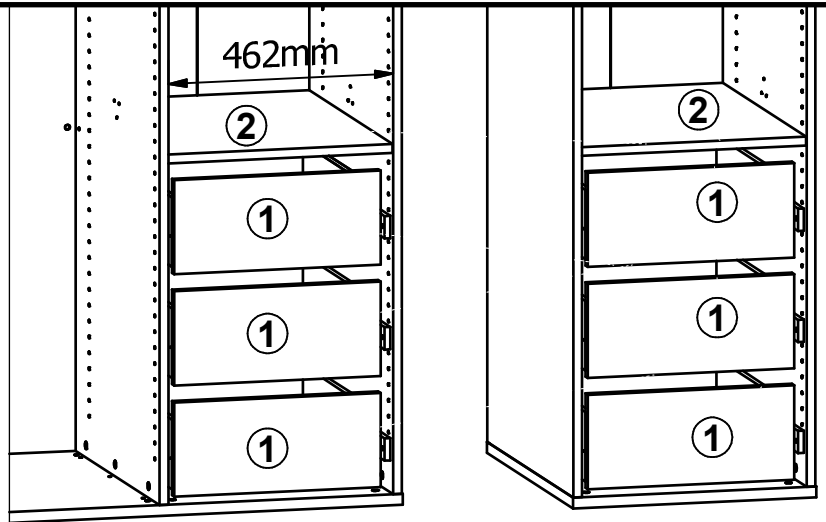


A

FLEX

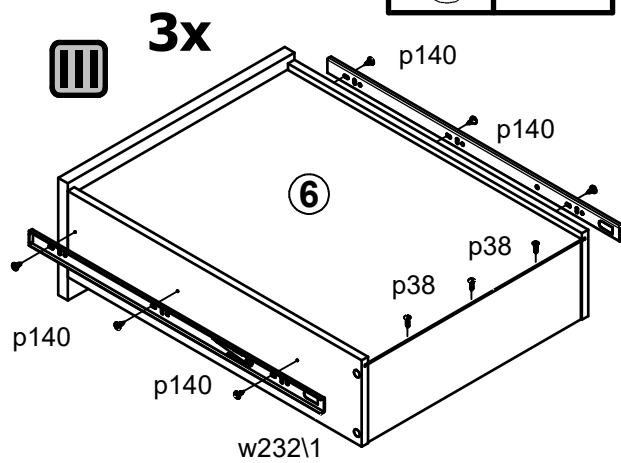
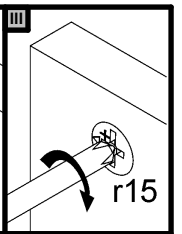
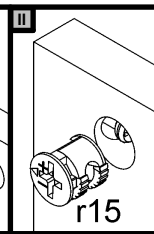
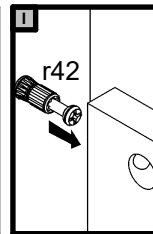
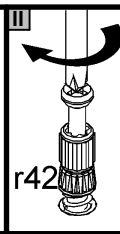
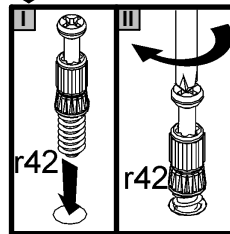
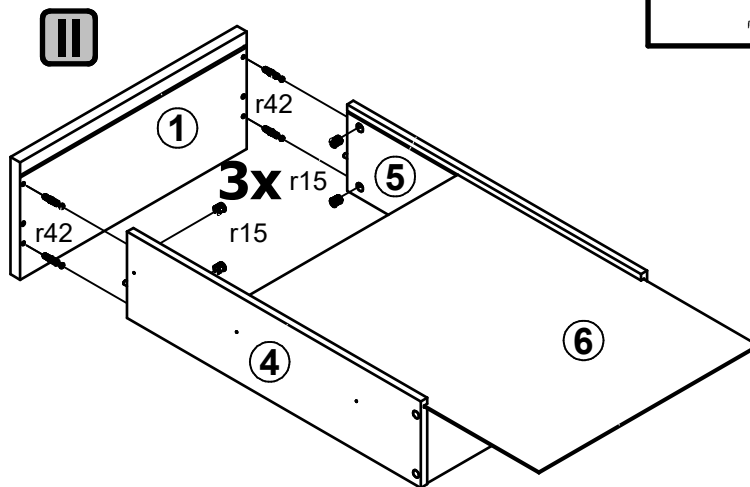
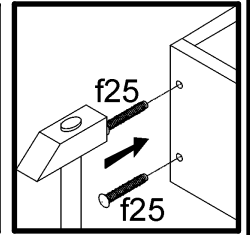
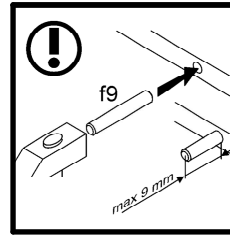
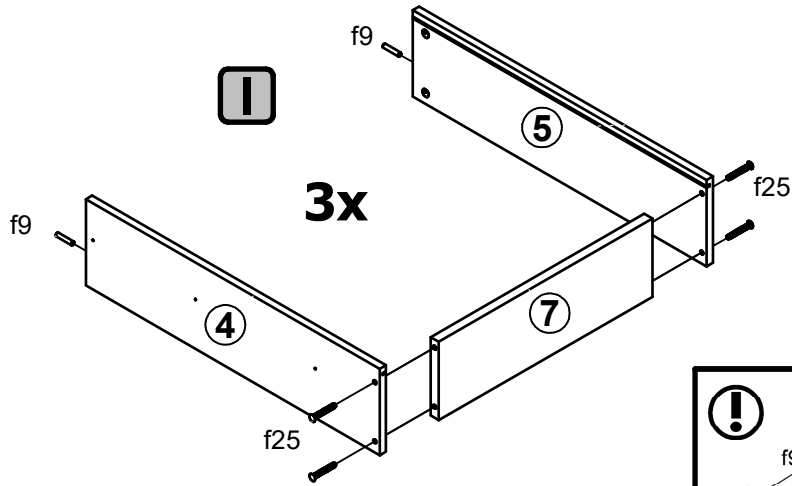
F57-SZU3S/46/66

A	B	C	D
1	F57-0137	424	190 1/1
2	F57-3081	462	638 1/1
3	F57-4008	550	45 1/1
4	F57-5014	550	140 1/1
5	F57-5015	550	140 1/1
6	F57-9032	410	557 1/1
7	ZK3-5054	400	127 1/1



6x Ø6x28 mm e25	6x Ø6x13 mm e3	12x Ø6.5x40 mm f25	6x Ø6x30 mm f9	18x Ø3.5x12 mm p140	9x Ø3.5x16 mm p38	12x Ø12x10.5 mm #12 r15	4x Ø20x12 mm #16 r36	4x 6,7/7,8 r37	
12x 20/11 r42	6x w232/1	6x L-550 mm w232/2							

1 



w232\1

