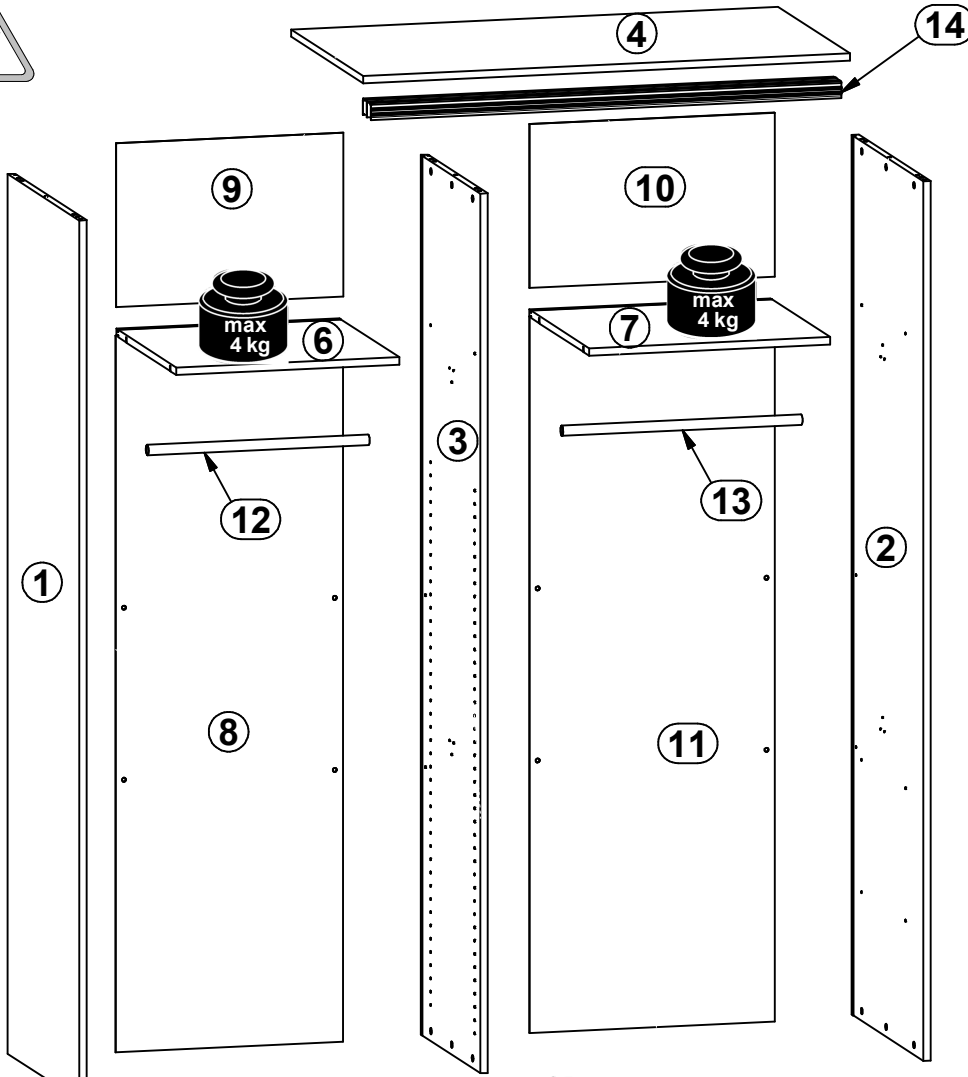
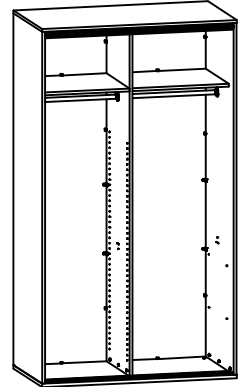
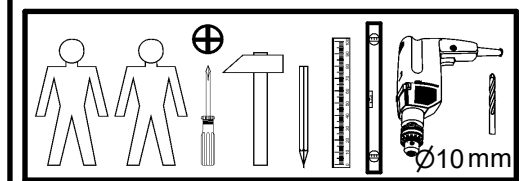


A	B	C	D	A	B	C	D		
1	F57-1007	2126	659	1/5	8	F57-9001	1732	560	5/5
2	F57-1008	2126	659	1/5	9	F57-9010	396	560	5/5
3	F57-1009	2126	550	2/5	10	F57-9011	396	604	5/5
4	F57-2001	1200	660	3/5	11	F57-9038	1732	604	5/5
5	F57-2002	1200	660	3/5	12	g47\19	545	0	4/5
6	F57-3001	550	549	4/5	13	g47\20	590	0	4/5
7	F57-3003	594	549	4/5					

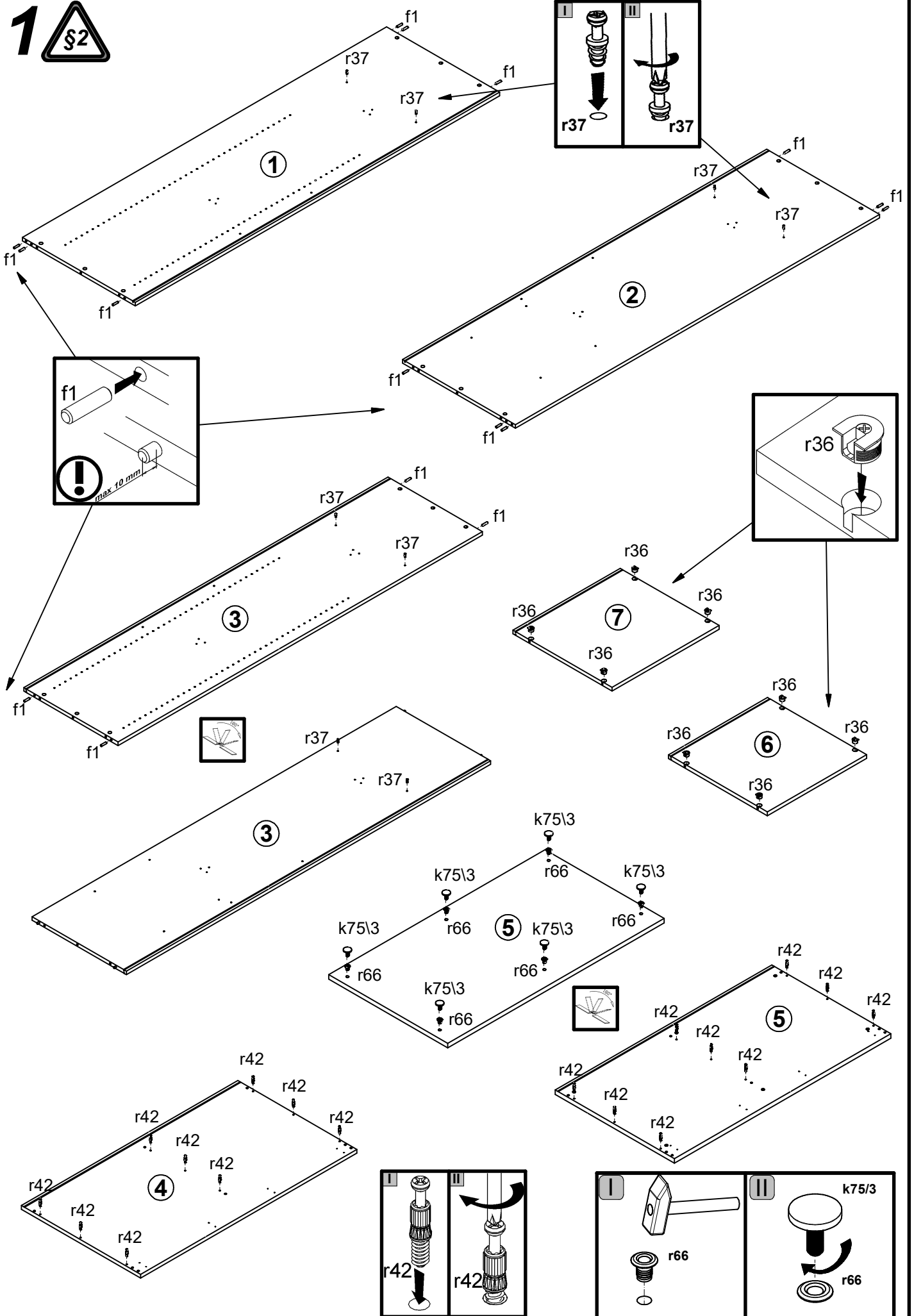


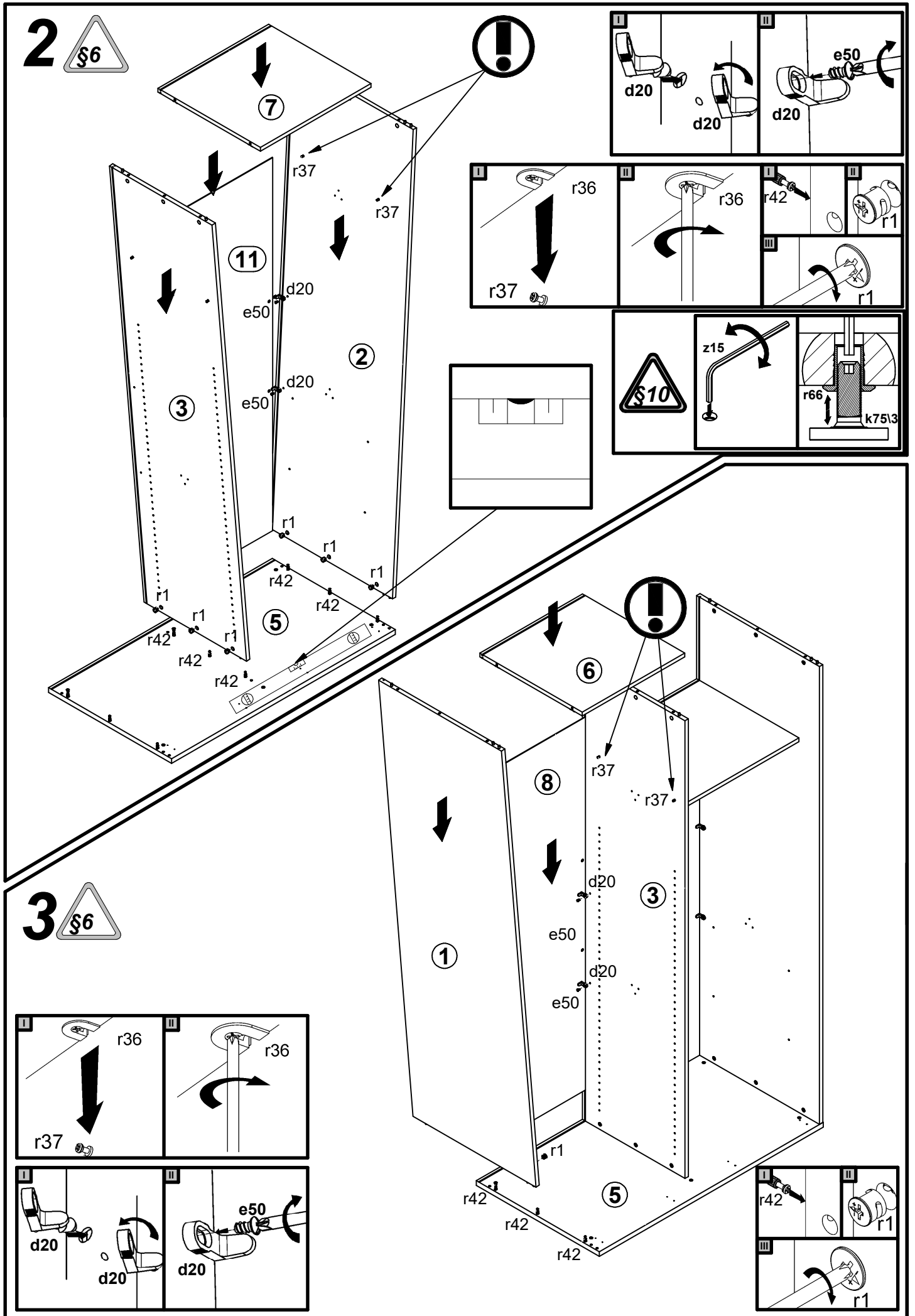
A	B	C	D	
14	w106_15	1160	76	1/1
15	w107\15	1160	53	1/1



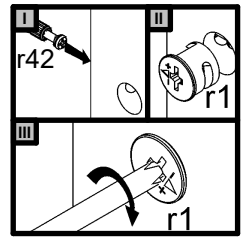
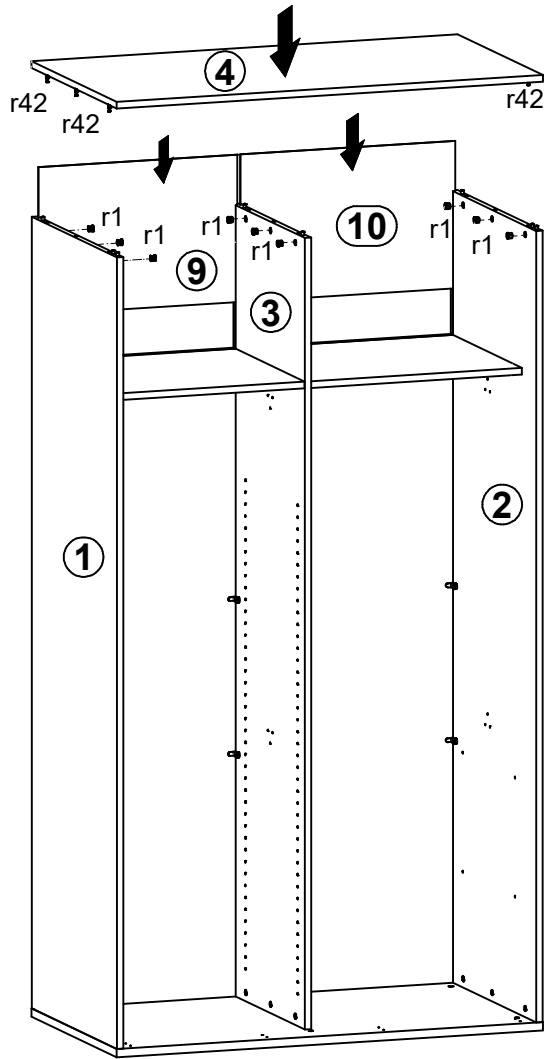
8x  d20	12x  Ø6x13 mm e3	8x  Ø6.3x10 mm e50	16x  Ø8x30 mm f1	4x  g46	6x  32 mm k75\3	20x  l2	16x  Ø3.5x15 mm p51	18x  Ø15x12 mm #16 r1
8x  Ø20x12 mm #16 r36	8x  6,7/7,8 r37	18x  20/11 r42	6x  Ø12xM10x17mm r66	18x  Ø16 s2	6x  Ø12x4 mm s41	1x  4 mm z15	1x  3 mm z22	
					2x  86x21x15/1,5 n14\2	4x  Ø3,5x16 mm p38	2x  Ø5x60 mm p17	2x  Ø10x50 mm f35

1 

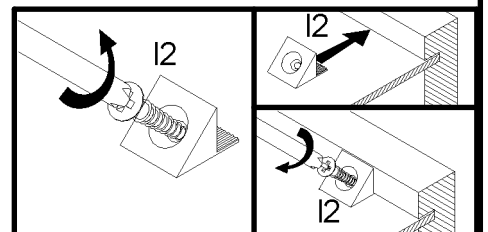
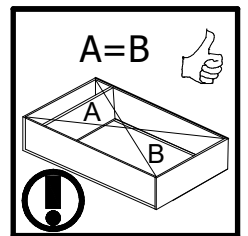
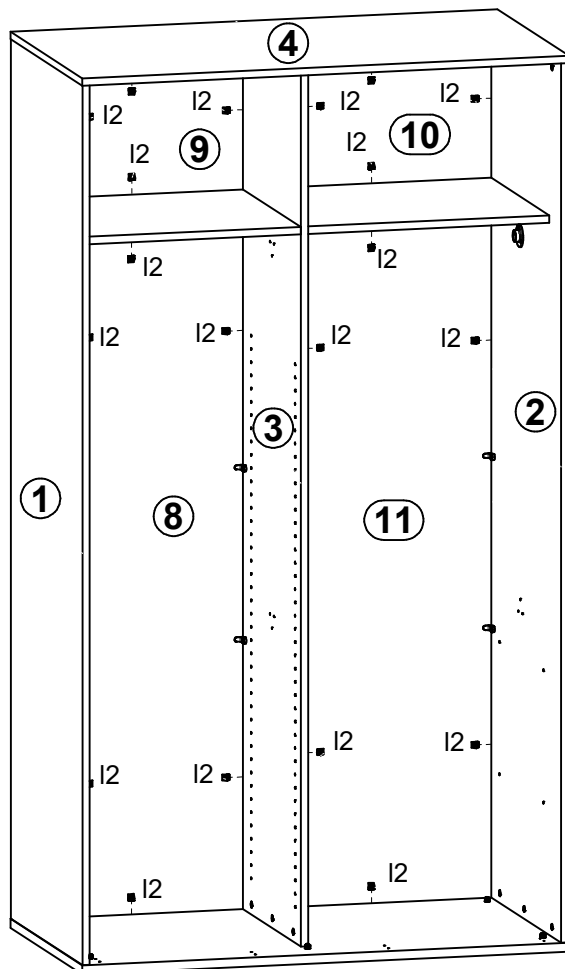




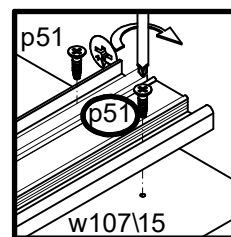
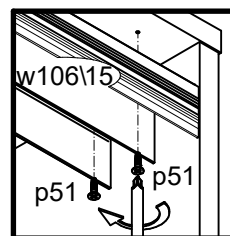
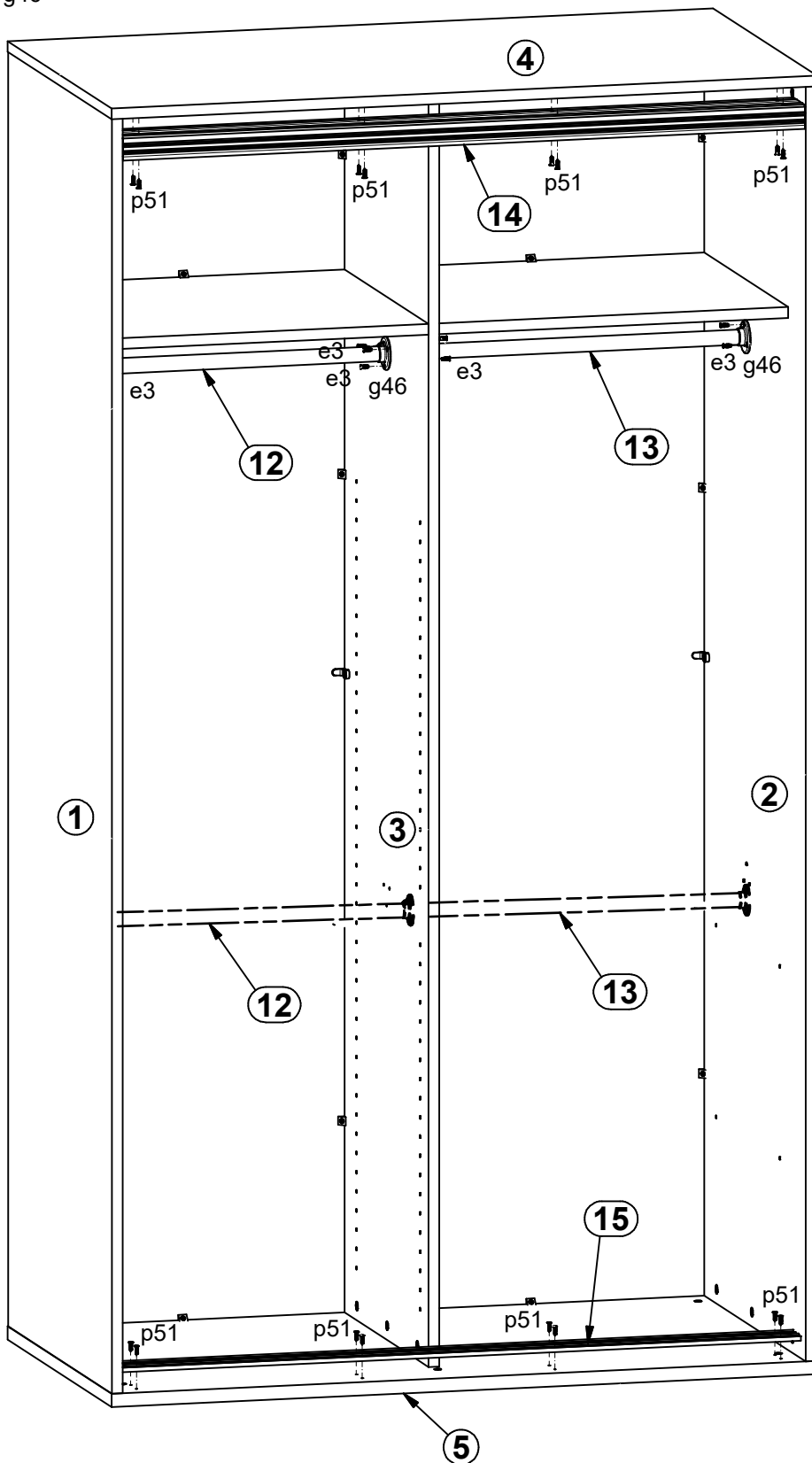
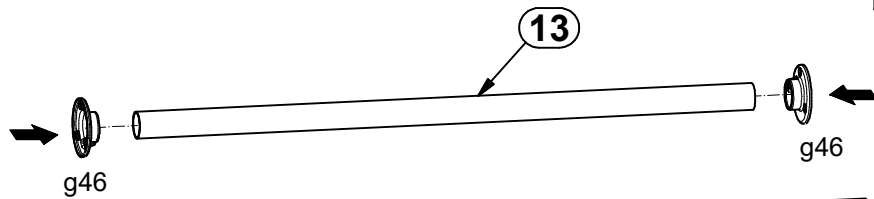
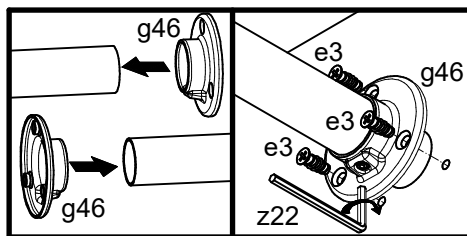
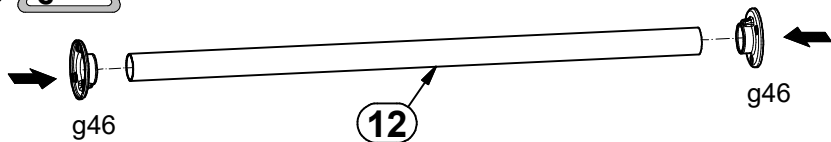
**4** §6



**5** §6



# 6



7 §6

