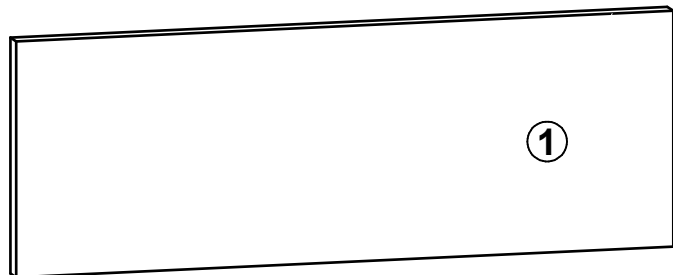
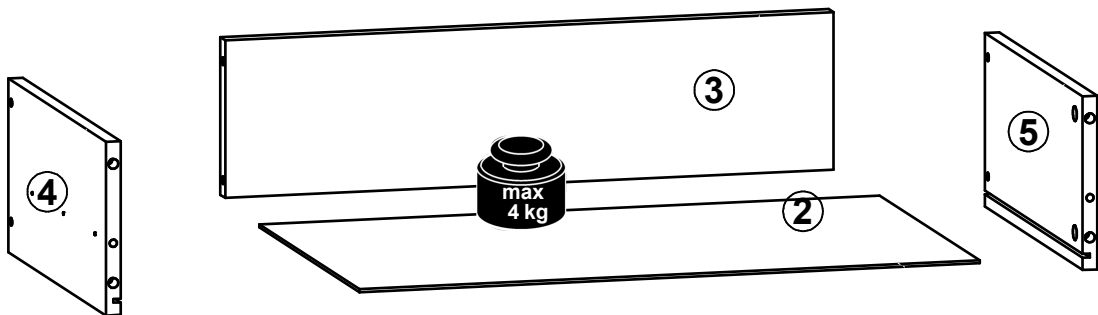
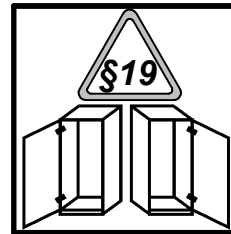
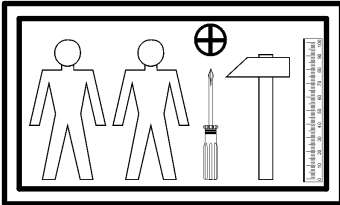
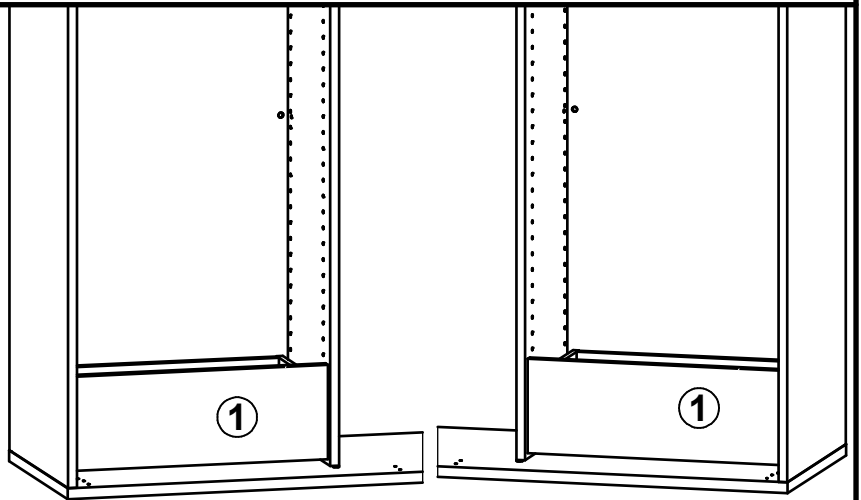


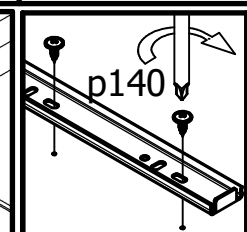
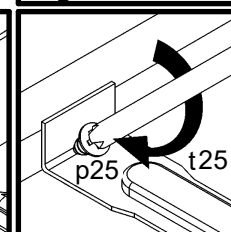
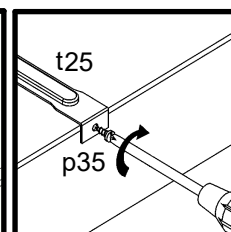
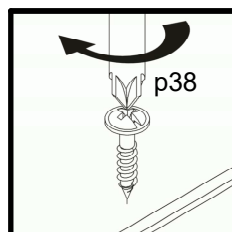
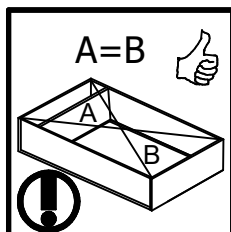
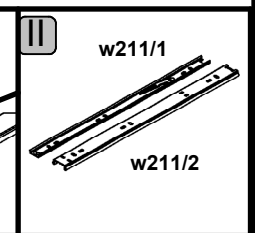
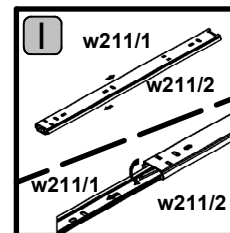
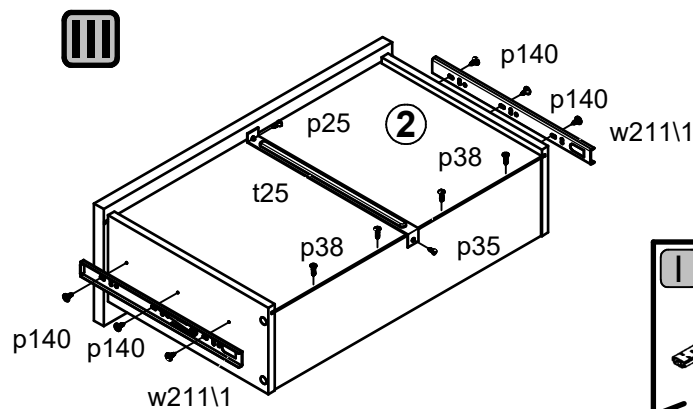
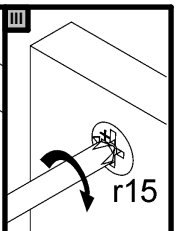
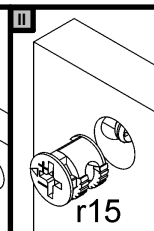
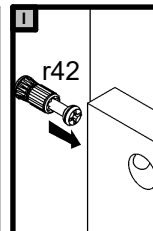
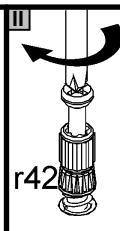
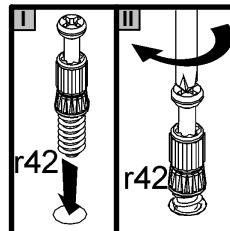
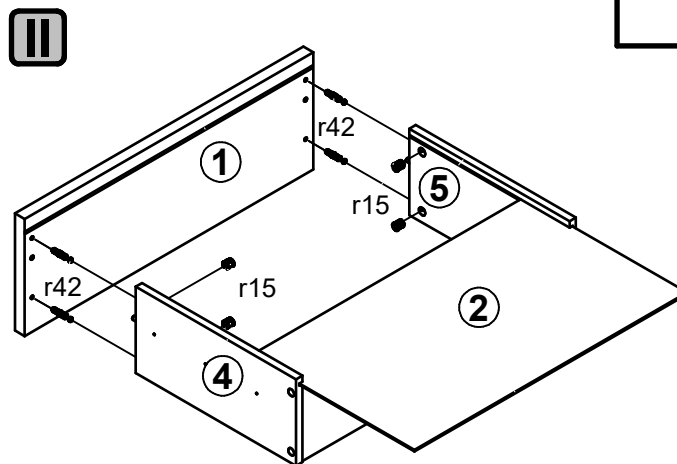
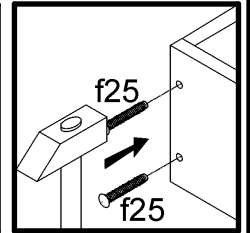
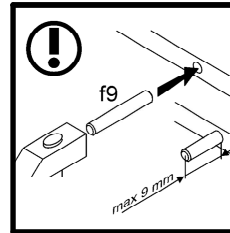
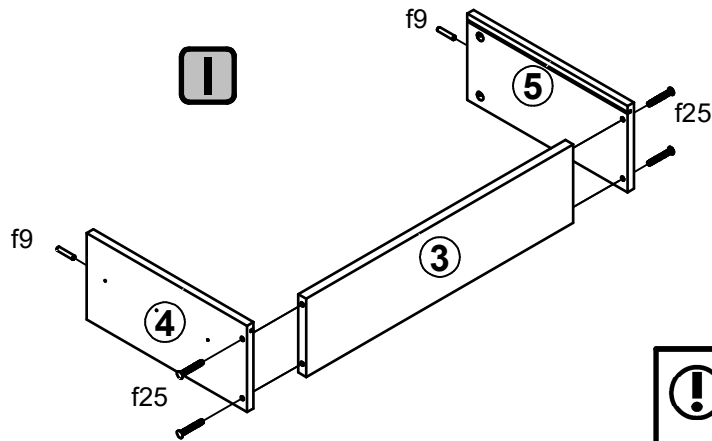
A**FLEX****F57-SZU1S/55/45**

A	B	C	D	
1	F57-0051	540	190	1/1
2	F57-9029	510	307	1/1
3	ZK3-5052	500	127	1/1
4	ZK4-511	300	140	1/1
5	ZK4-512	300	140	1/1

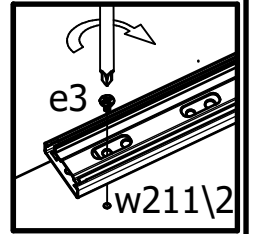
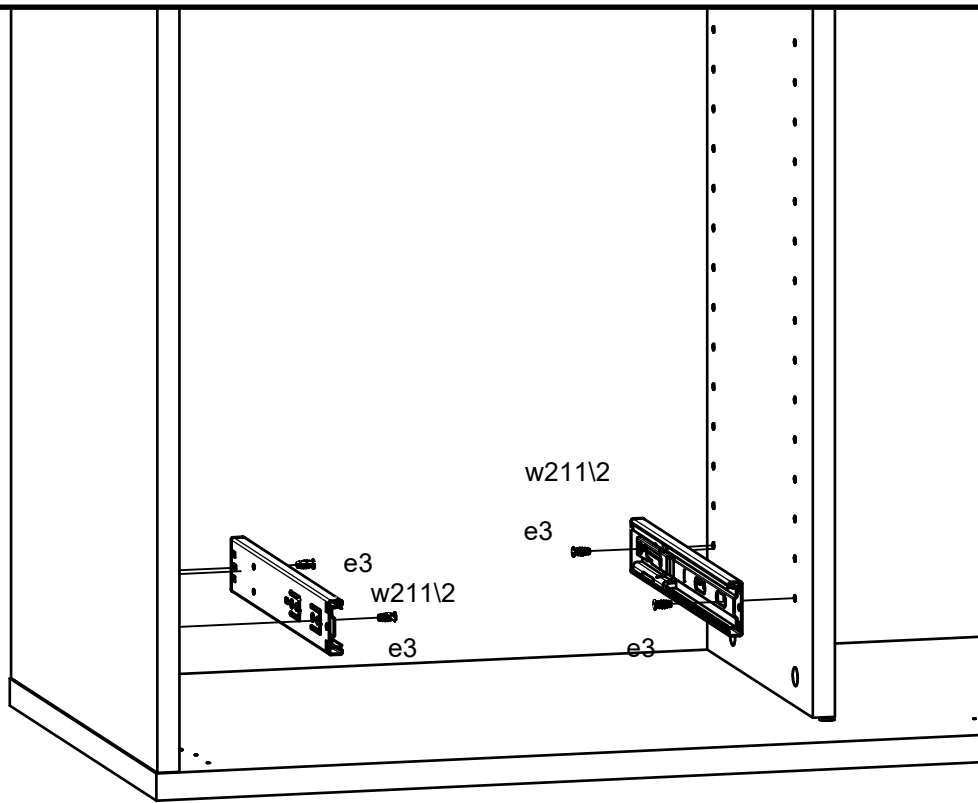


4x Ø6x13 mm e3	4x Ø6.5x40 mm f25	2x Ø6x30 mm f9	6x Ø3.5x12 mm p140	1x Ø3.5x16 mm p25	1x Ø3.5x10 mm p35	4x Ø3.5x16 mm p38	4x Ø12x10.5 mm #12 r15	4x 20/11 r42
1x 300 mm t25	2x L-300 mm w211\2	2x L-300 mm w211\1						

1 



2



3

