

A

FLEX

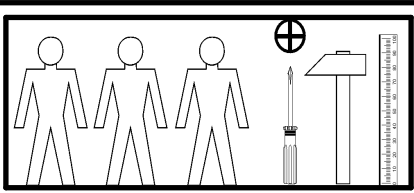
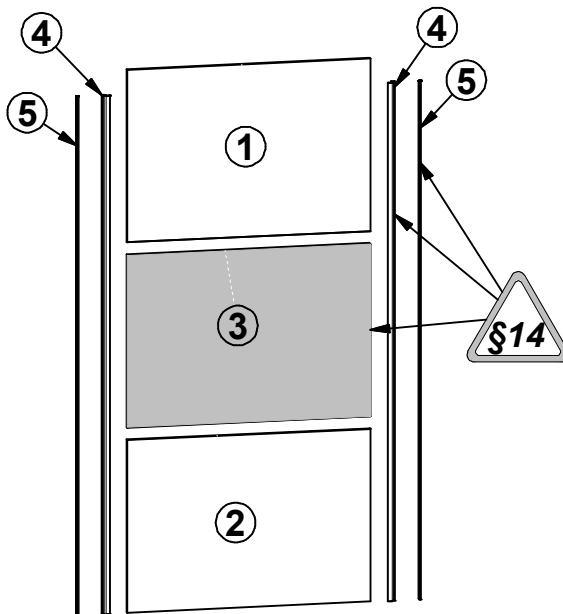
F57-FRN-200/218/Z

A	B	C	D
1	F57-0031	998	696
2	F57-0033	998	696



3		998	696	1/1
---	--	-----	-----	-----

4	w108\3	2090	-	1/2
5	Eg-sp_2090	2090	-	2/2



2x M5x8 mm j80	4x 90x50\1,5 mm n148	2x n153	2x n154\1	2x n154\2		2x 2090 mm w108\3
1x 2 mm z27	2x i56	16x Ø3,5x13 mm p27	16x Ø4x13 mm p93	10x Ø2,5x13 mm p15		2x EG-sp_2090

1

2

