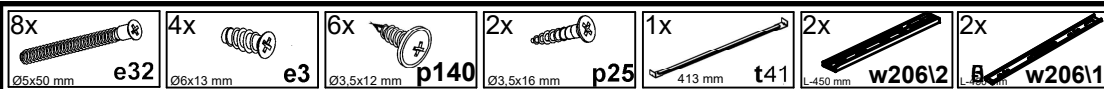
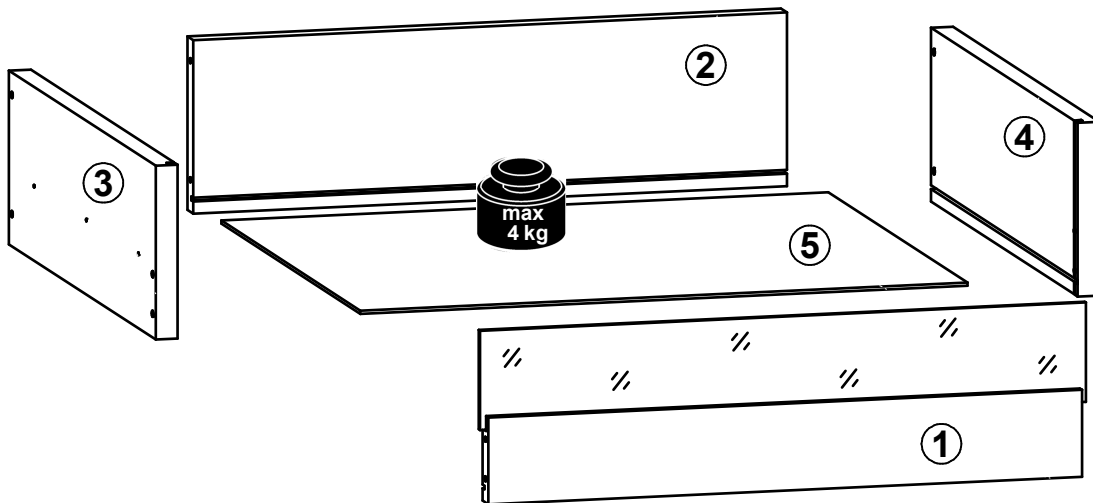
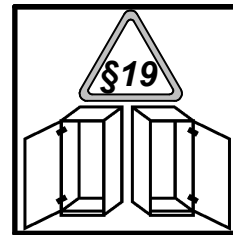
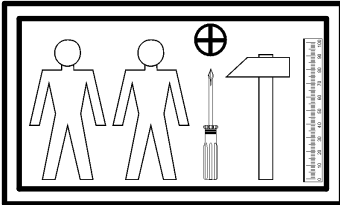
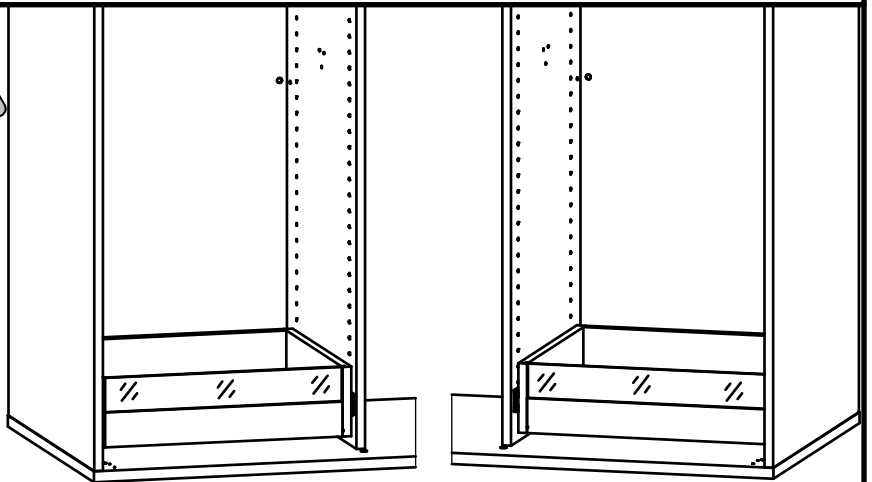
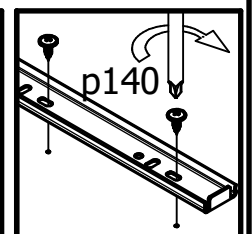
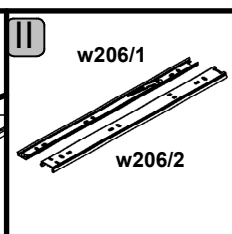
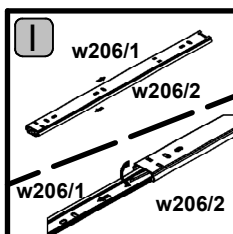
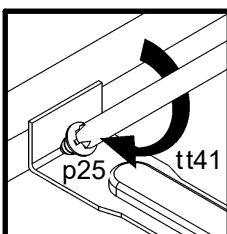
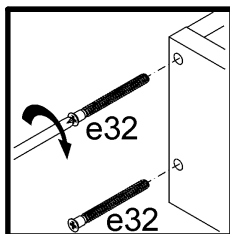
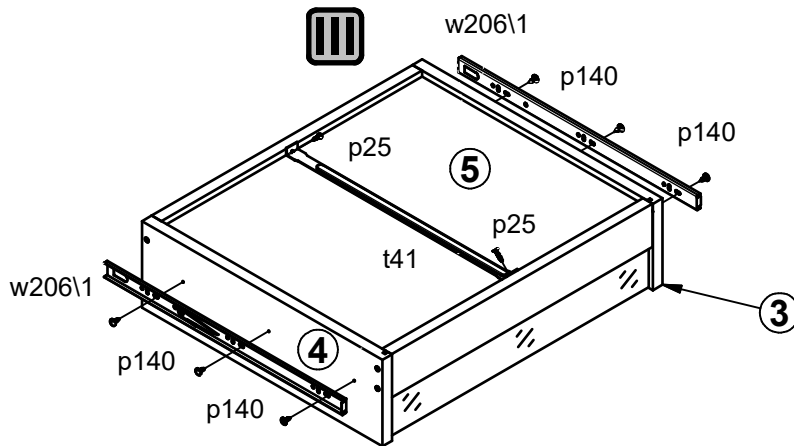
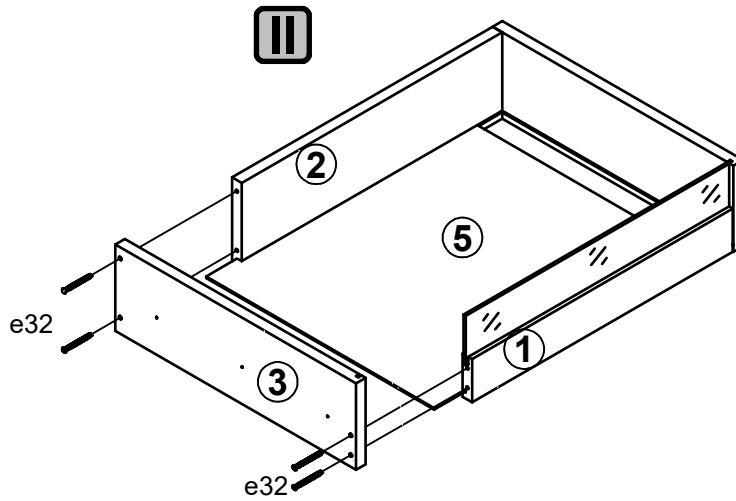
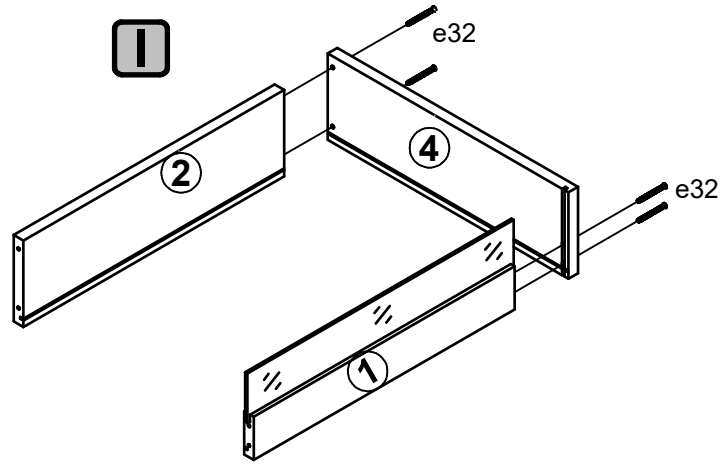


A**FLEX****F57-SZU1SG**

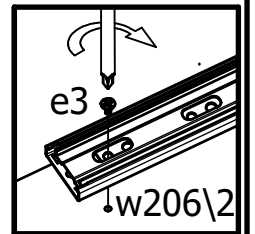
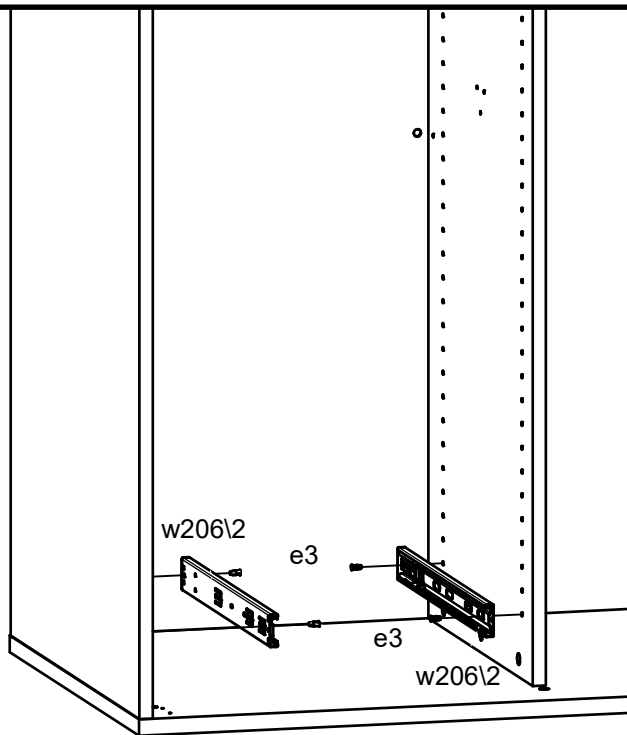
A	B	C	D
1	F57-0048	498	139
2	F57-5010	488,	140,
3	F57-5011	450,	140,
4	F57-5012	450,	140,
5	F57-9024	499	427



1 



2



3

