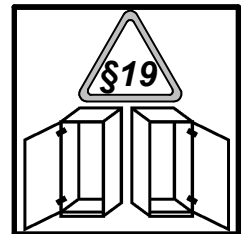
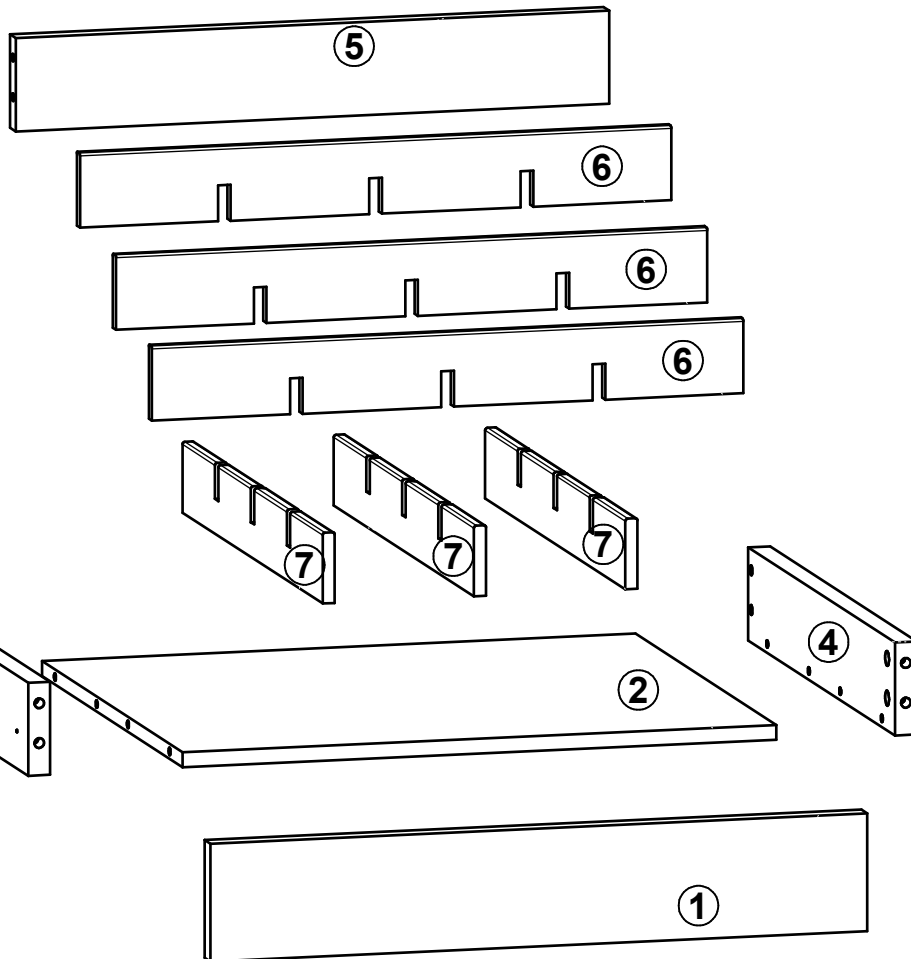
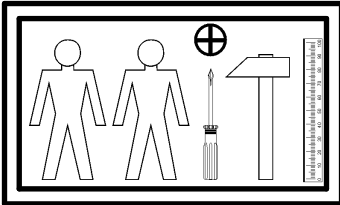
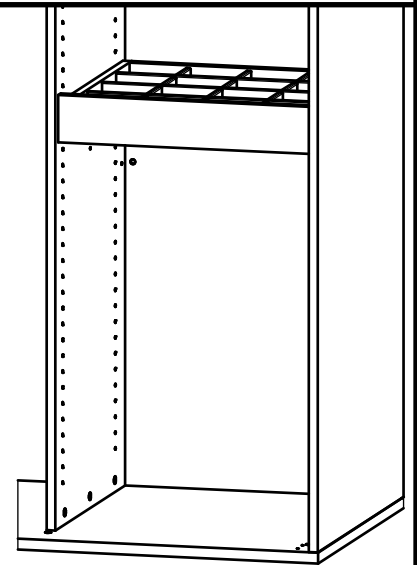
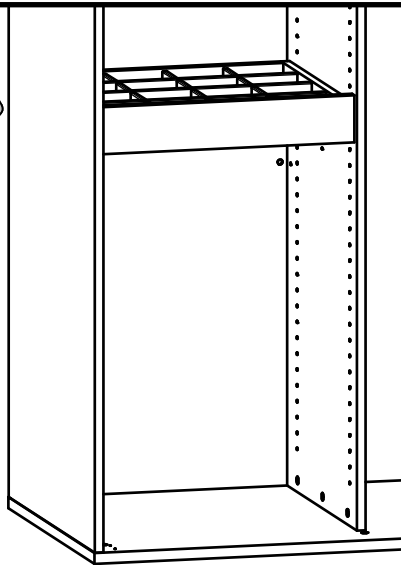


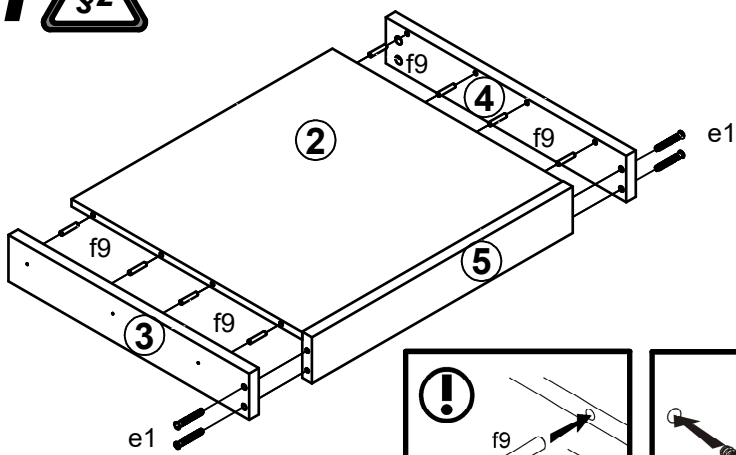
A**FLEX****F57-SZU1SH**

A	B	C	D
1	F57-0046	540,	95,
2	F57-4013	488	432
3	F57-5004	450,	75,
4	F57-5005	450,	75,
5	F57-5006	488,	75,
6	F57-5007	486,	60,
7	F57-5008	430,	57,

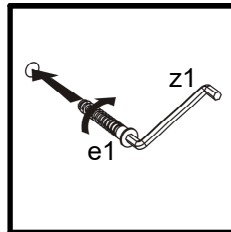
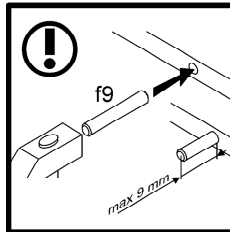
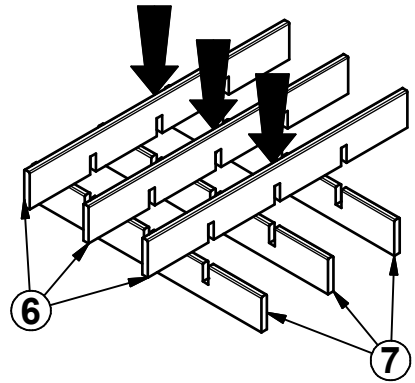


4x Ø7x50 mm e1	4x Ø6x13 mm e3	8x Ø6x30 mm f9	6x Ø3,5x12 mm p140	4x Ø12x10,5 mm #12 r15	4x 20/11 r42	2x L450 mm w206\2	2x L225 mm w206\1	1x 4 mm z1
----------------------	----------------------	----------------------	--------------------------	------------------------------	--------------------	-------------------------	-------------------------	------------------

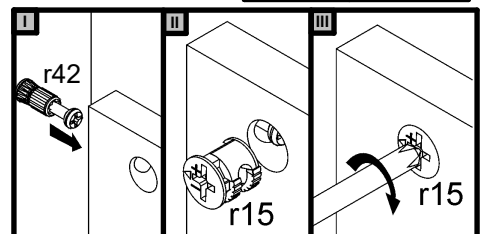
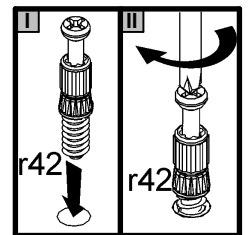
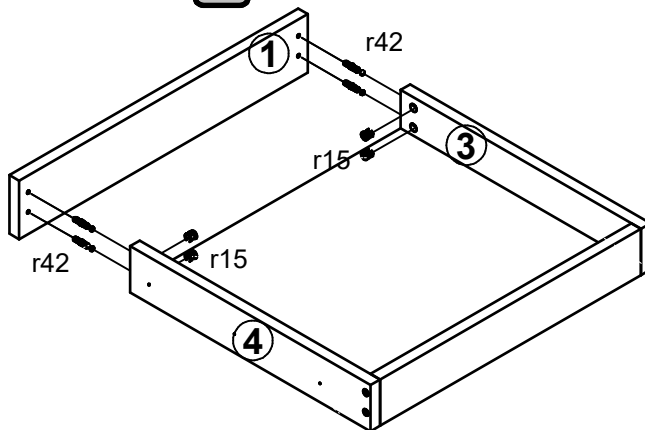
1 



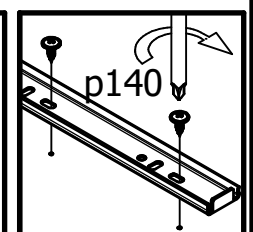
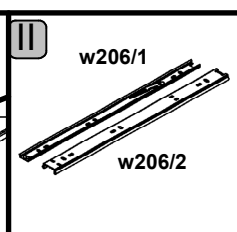
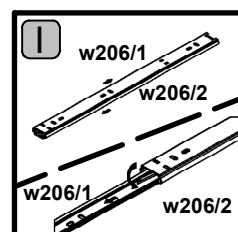
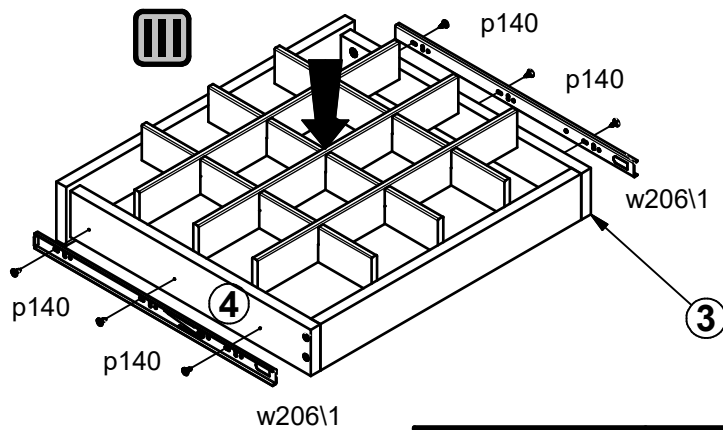
I



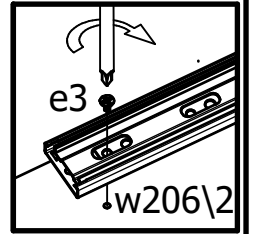
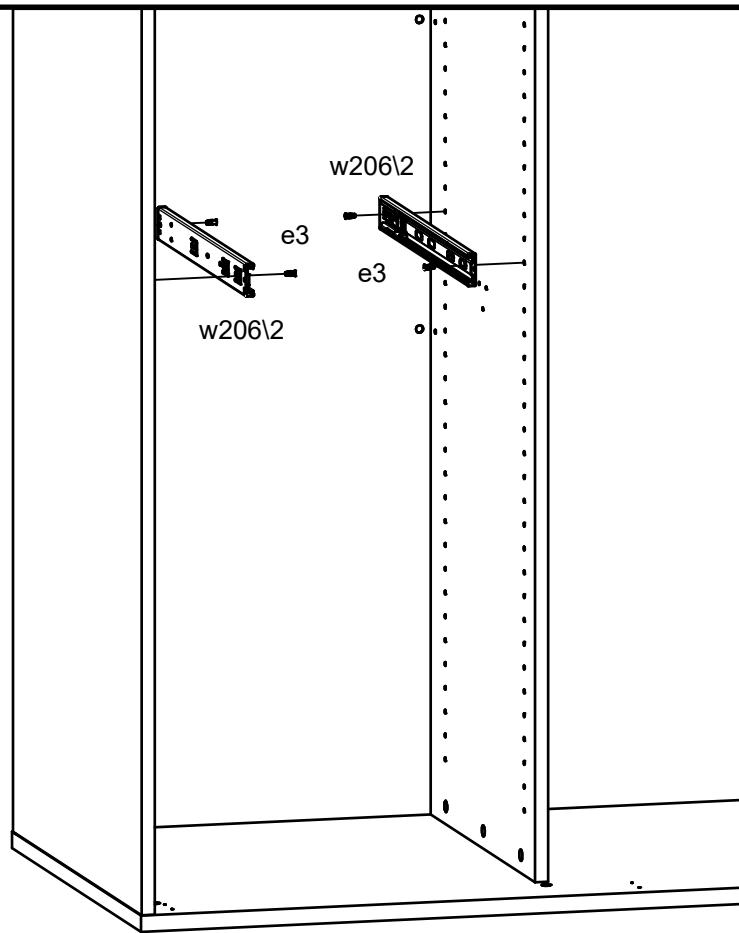
II



III



2



3

