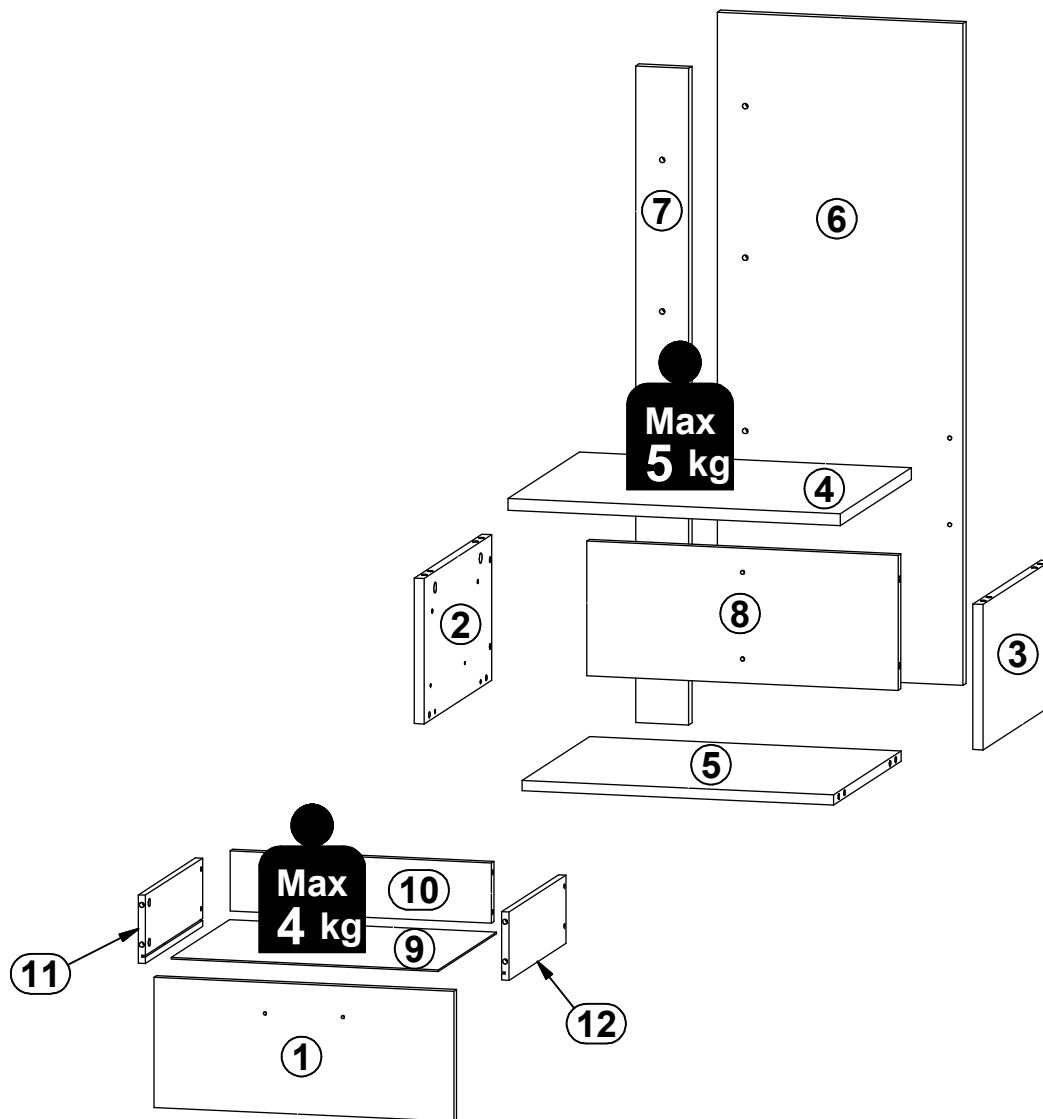
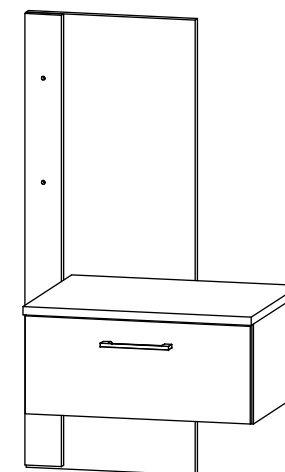


Ø 5 mm

60 min

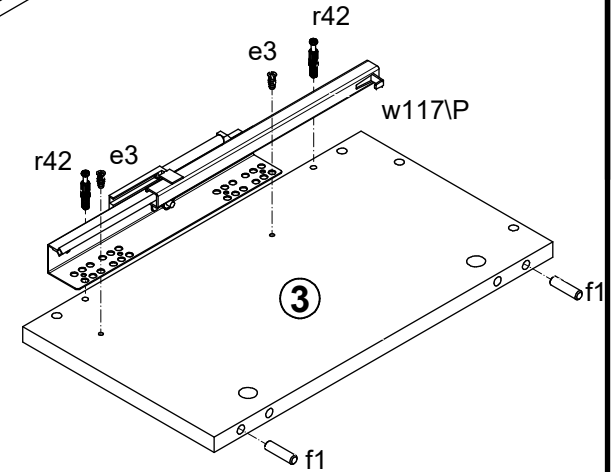
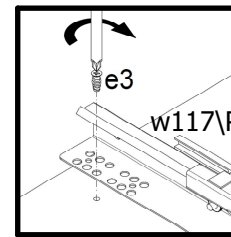
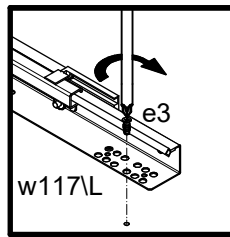
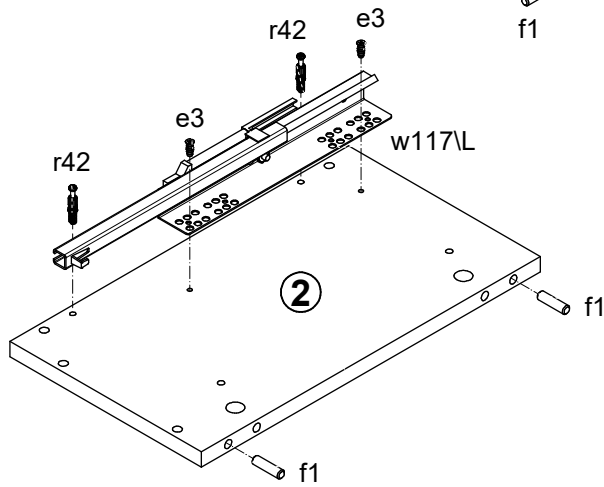
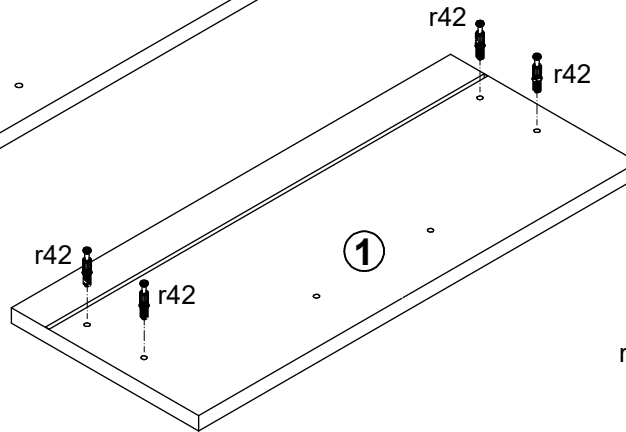
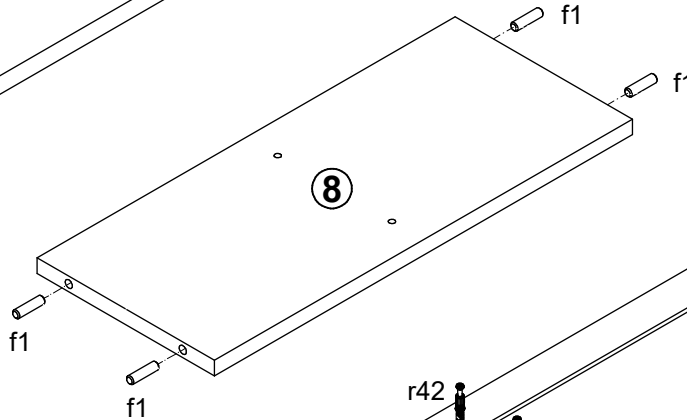
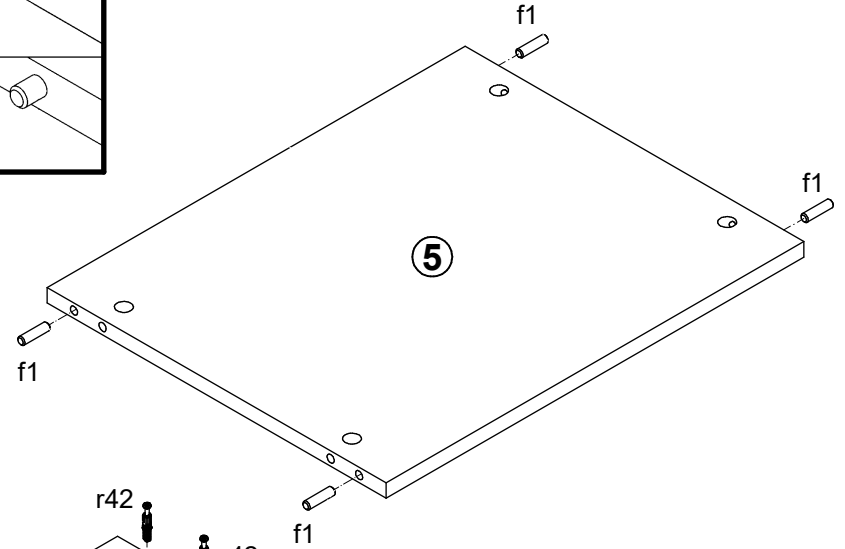
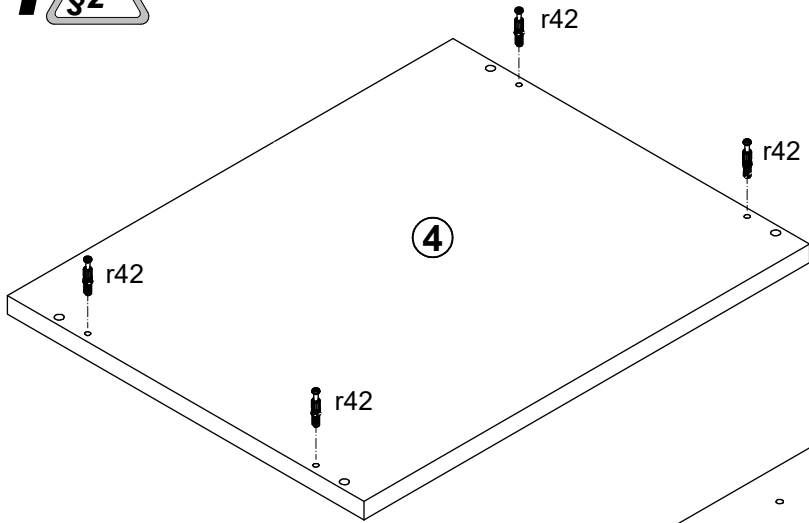
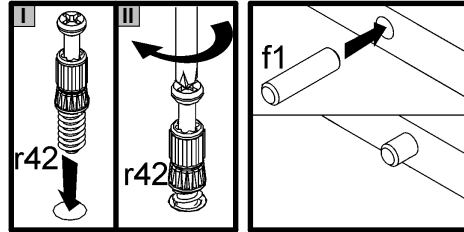


A	B	C (mm)			D
1	L139-0001	493	210	15	1/1
2	L139-1005	215	380	15	1/1
3	L139-1006	215	380	15	1/1
4	L139-2001	500	400	18	1/1
5	L139-3001	469	380	15	1/1
6	L139-4004	370	978	18	1/1
7	L139-4009	970	80	18	1/1
8	L139-4010	469	199	15	1/1
9	L139-9002	439	357	2,5	1/1
10	ZQ6-5044	429	97	15	1/1
11	ZQ6-519	350	110	12	1/1
12	ZQ6-520	350	110	12	1/1



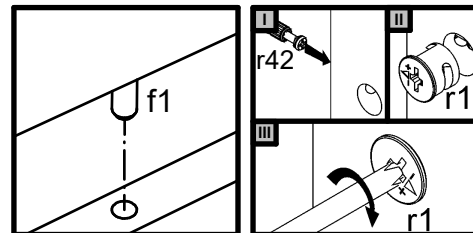
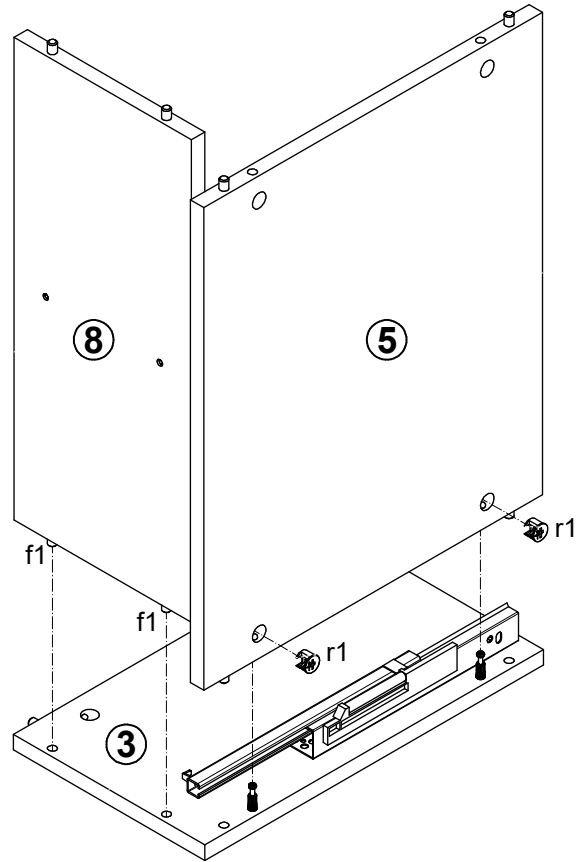
1x 128mm <b>c280</b>	4x Ø7x50 mm <b>e1</b>	4x Ø6x13 mm <b>e3</b>	12x Ø8x30 mm <b>f1</b>	cm 0 1 2 3 4 5 6 7 8 9 10	4x Ø6,5x40 mm <b>f25</b>	8x M4x14 mm <b>j29</b>	<b>D</b> 1/1
2x M4x22 mm <b>j30</b>	4x Ø5x23 mm <b>j45I2</b>	1x <b>o43I7</b>	1x 6W 12V <b>o70</b>	1x L=600 mm <b>o83I15</b>	6x Ø2,9x16 mm <b>p55</b>	8x Ø15x12 mm #16 <b>r1</b>	4x Ø12x10,5 mm #12 <b>r15</b>
						12x 20/11 <b>r42</b>	1x 350 mm <b>w117I</b>
							1x 350 mm <b>w117P</b>
							1x 4 mm <b>z1</b>


1 §2



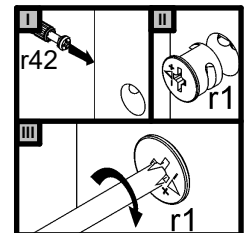
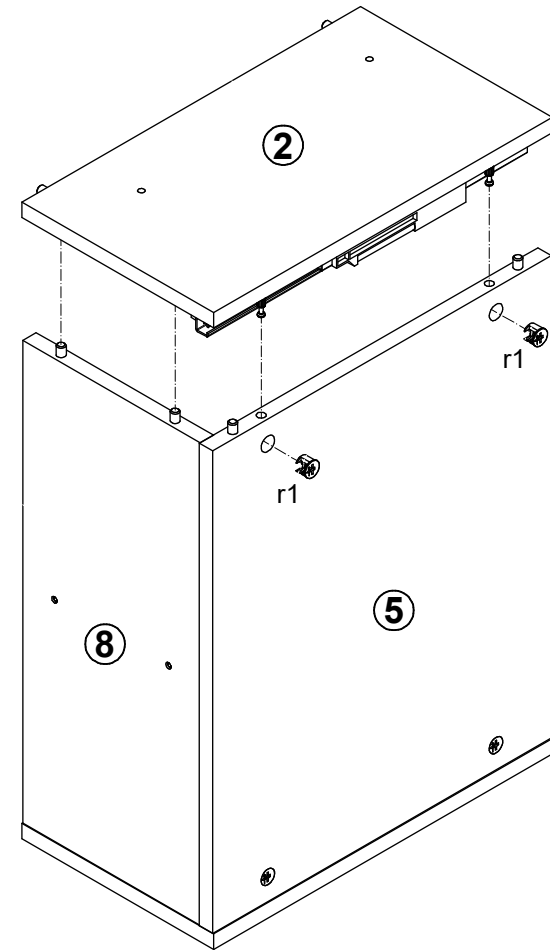
- 4x e3
- 12x f1
- 12x r42
- 1x w117/L
- 1x w117/P


**2** 



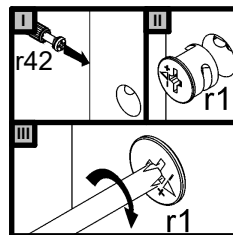
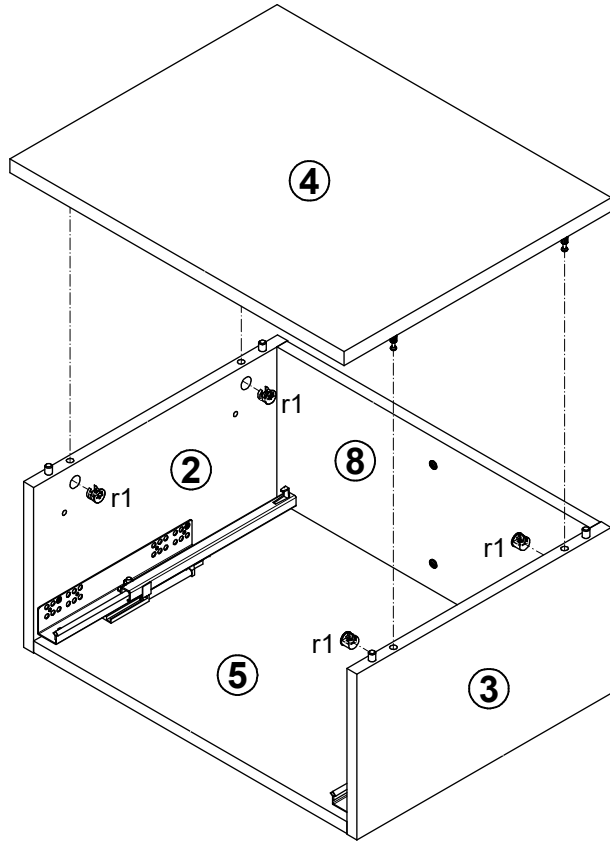
2x    
 Ø15x12 mm #16 r1

**3** 



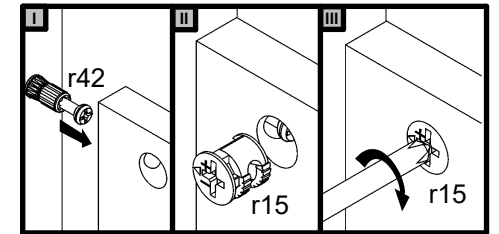
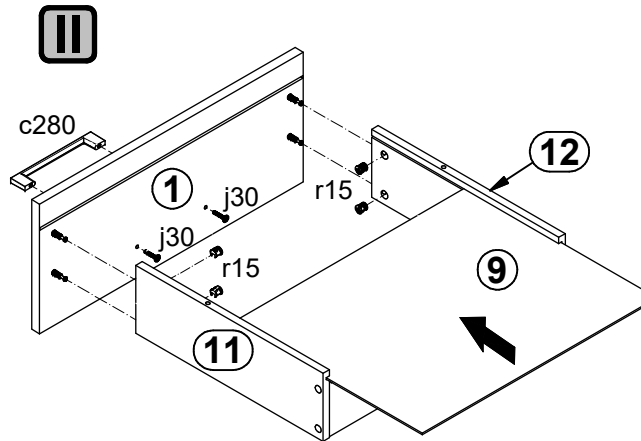
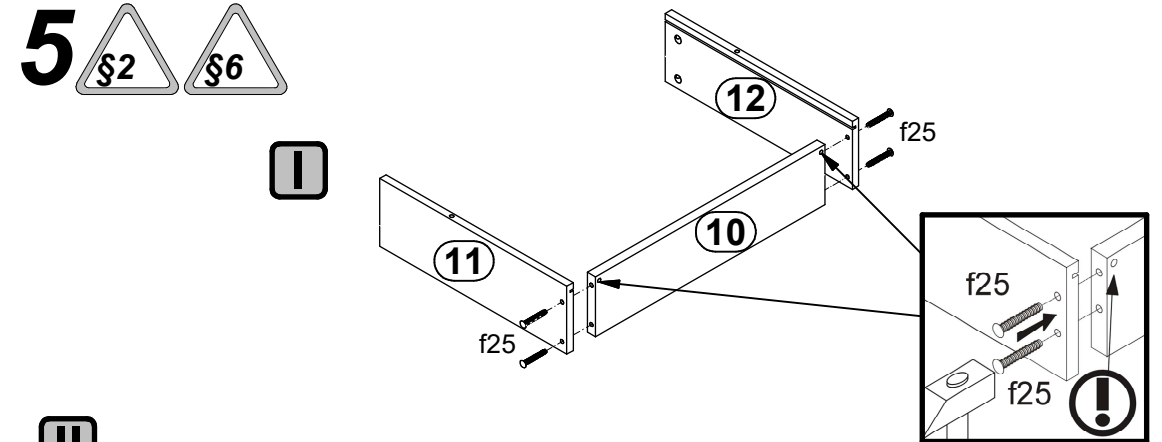
2x    
 Ø15x12 mm #16 r1

**4** §6



4x r1  
 Ø15x12 mm #16

**5** §2 §6



1x c280  
 128mm

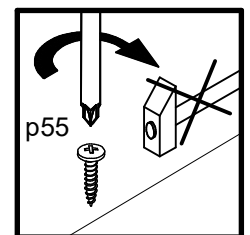
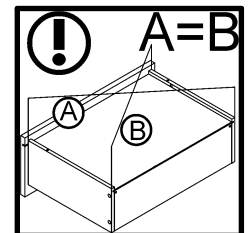
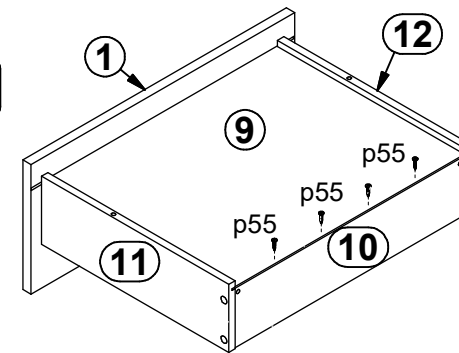
4x f25  
 Ø6,5x40 mm

2x j30  
 M4x22 mm

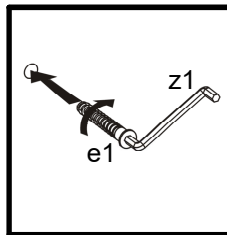
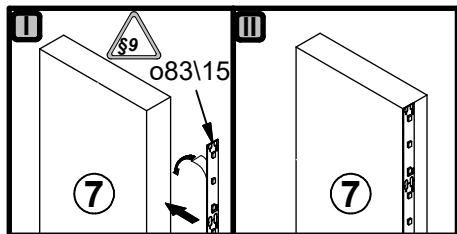
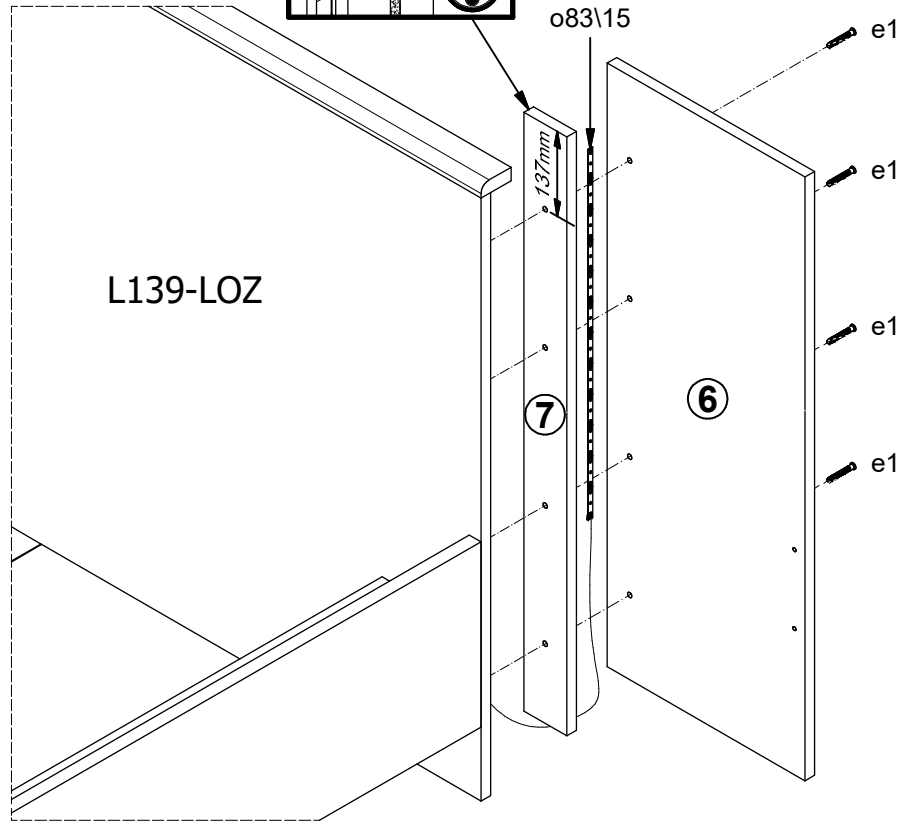
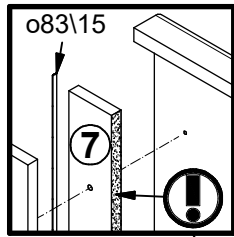
4x p55  
 Ø2,9x16 mm

4x r15  
 Ø12x10,5 mm #12

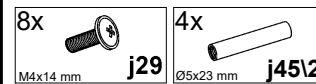
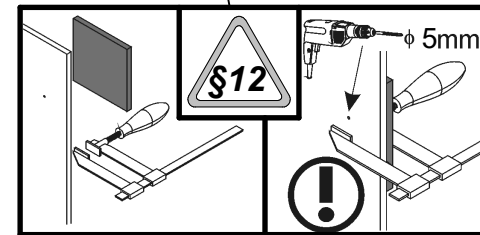
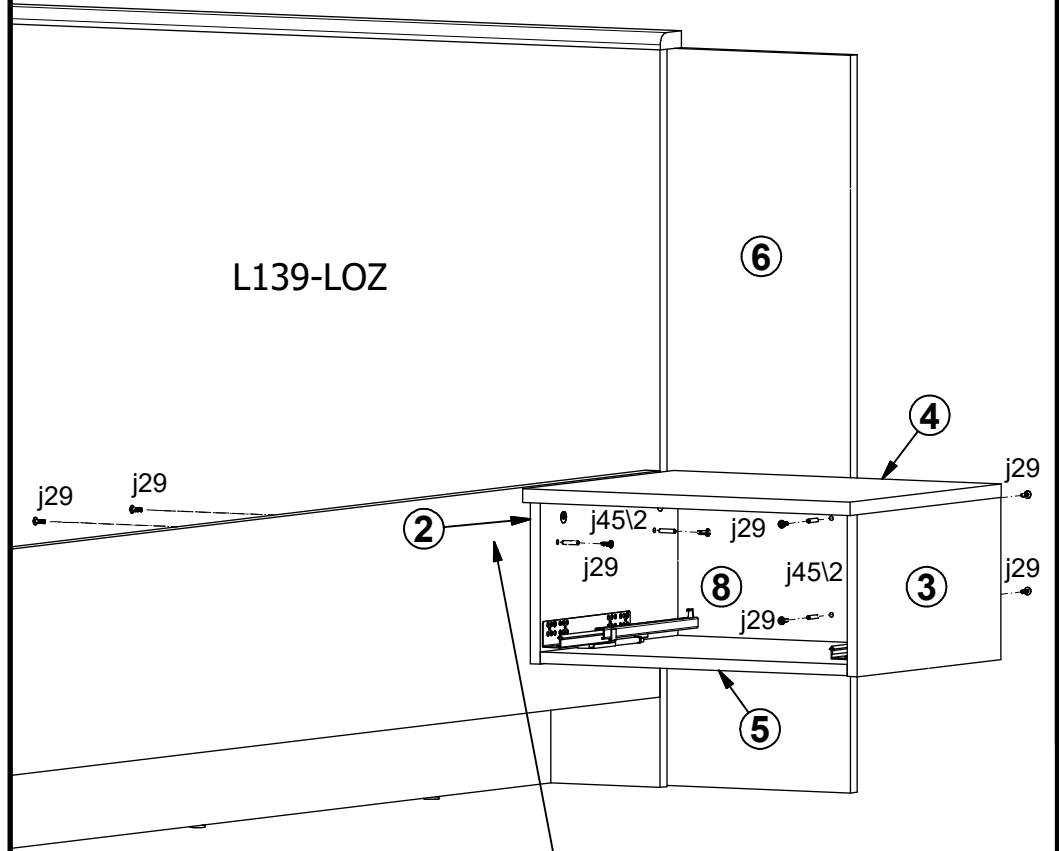
III



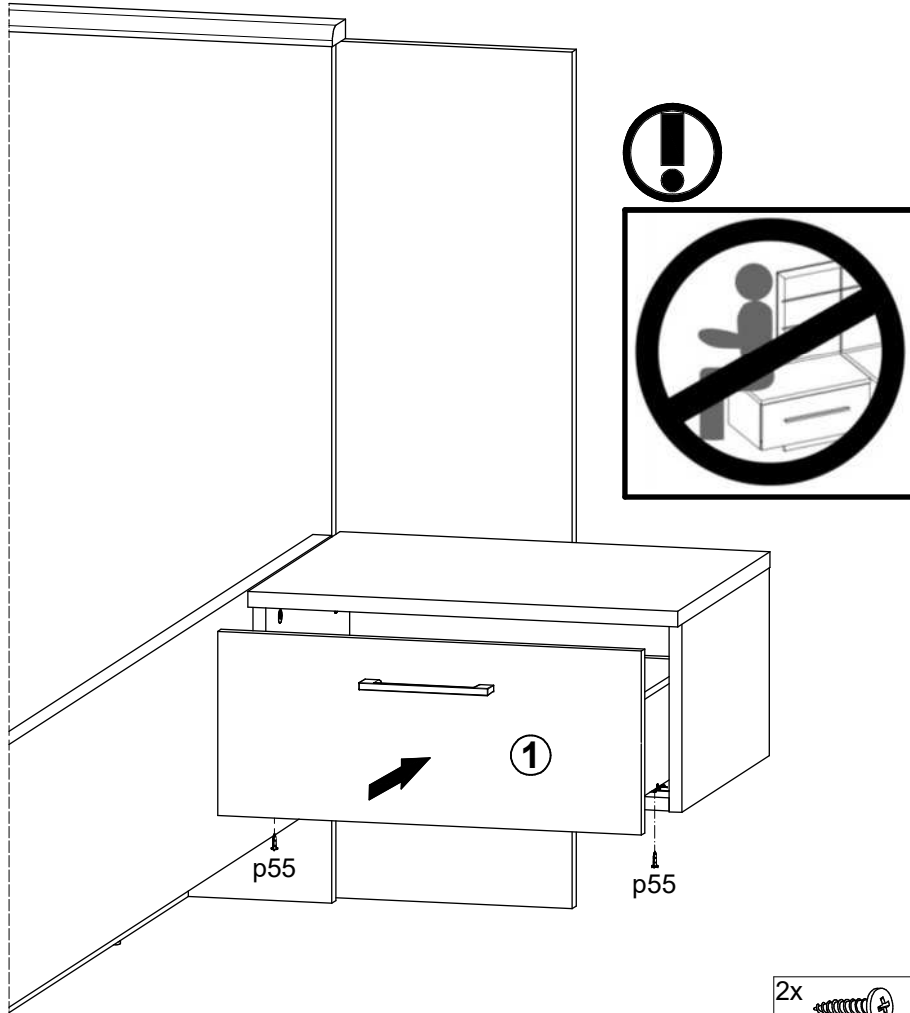
**6** §6



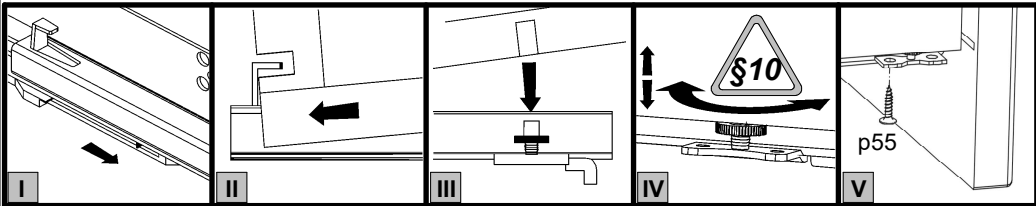
**7** §2 §6



8 §2 §6



2x p55  
Ø2,9x16 mm



9

