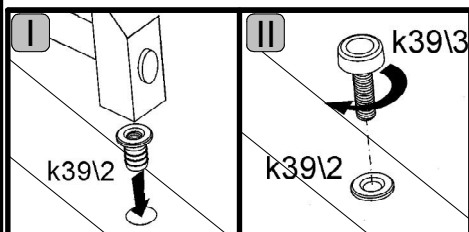
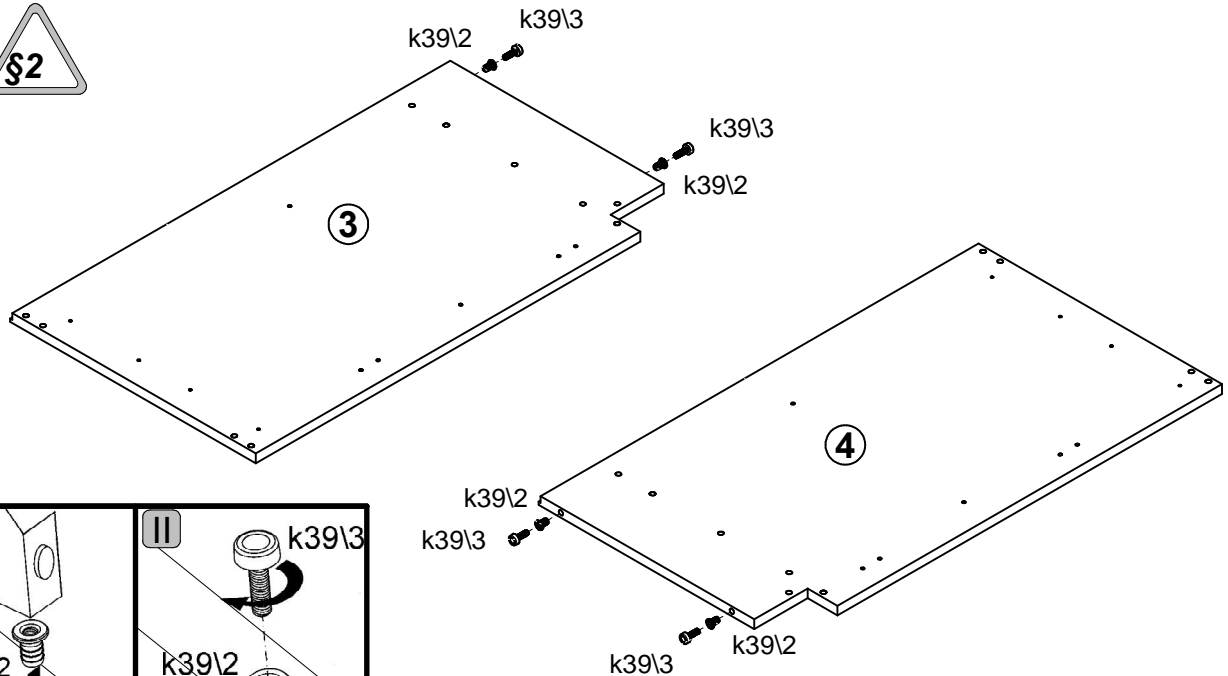
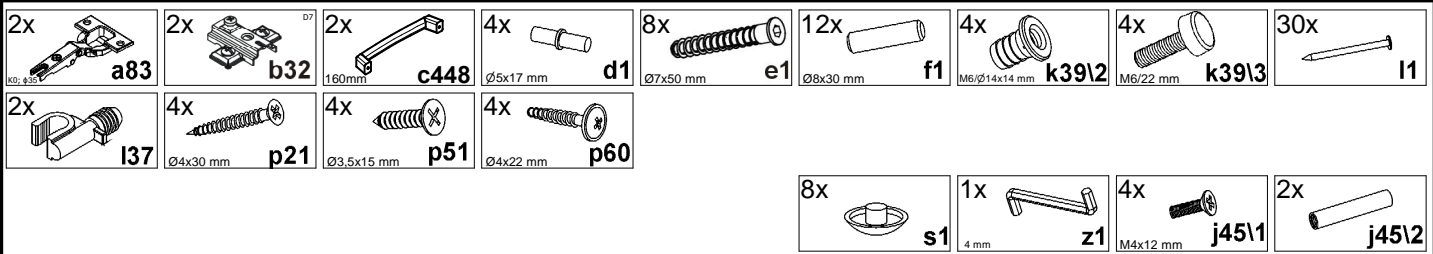
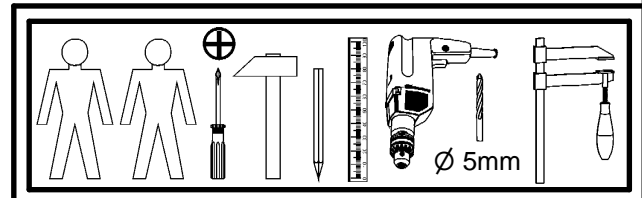
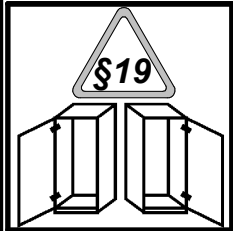
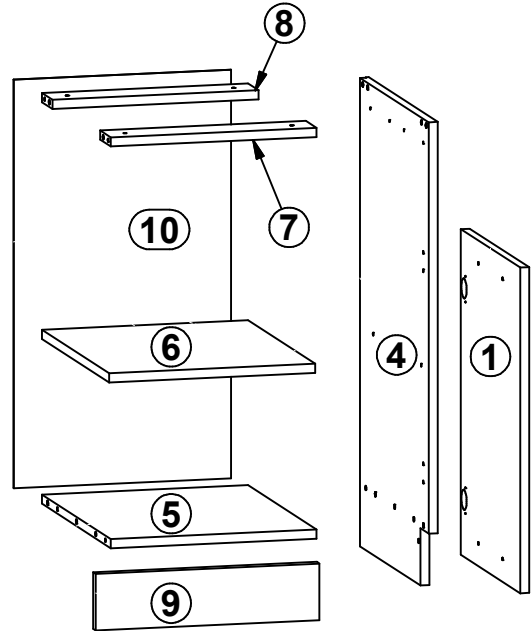
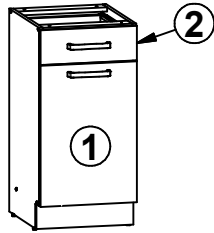
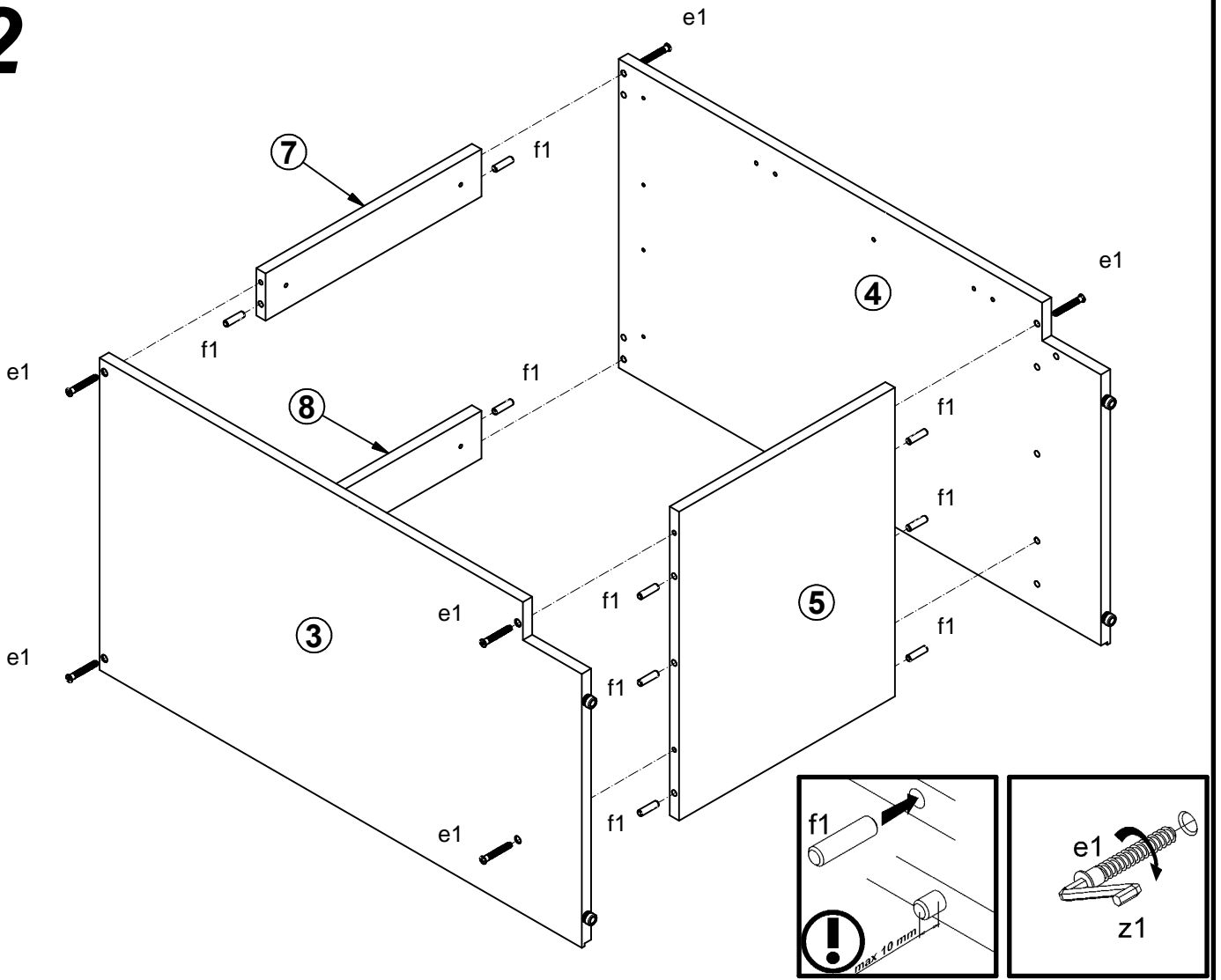


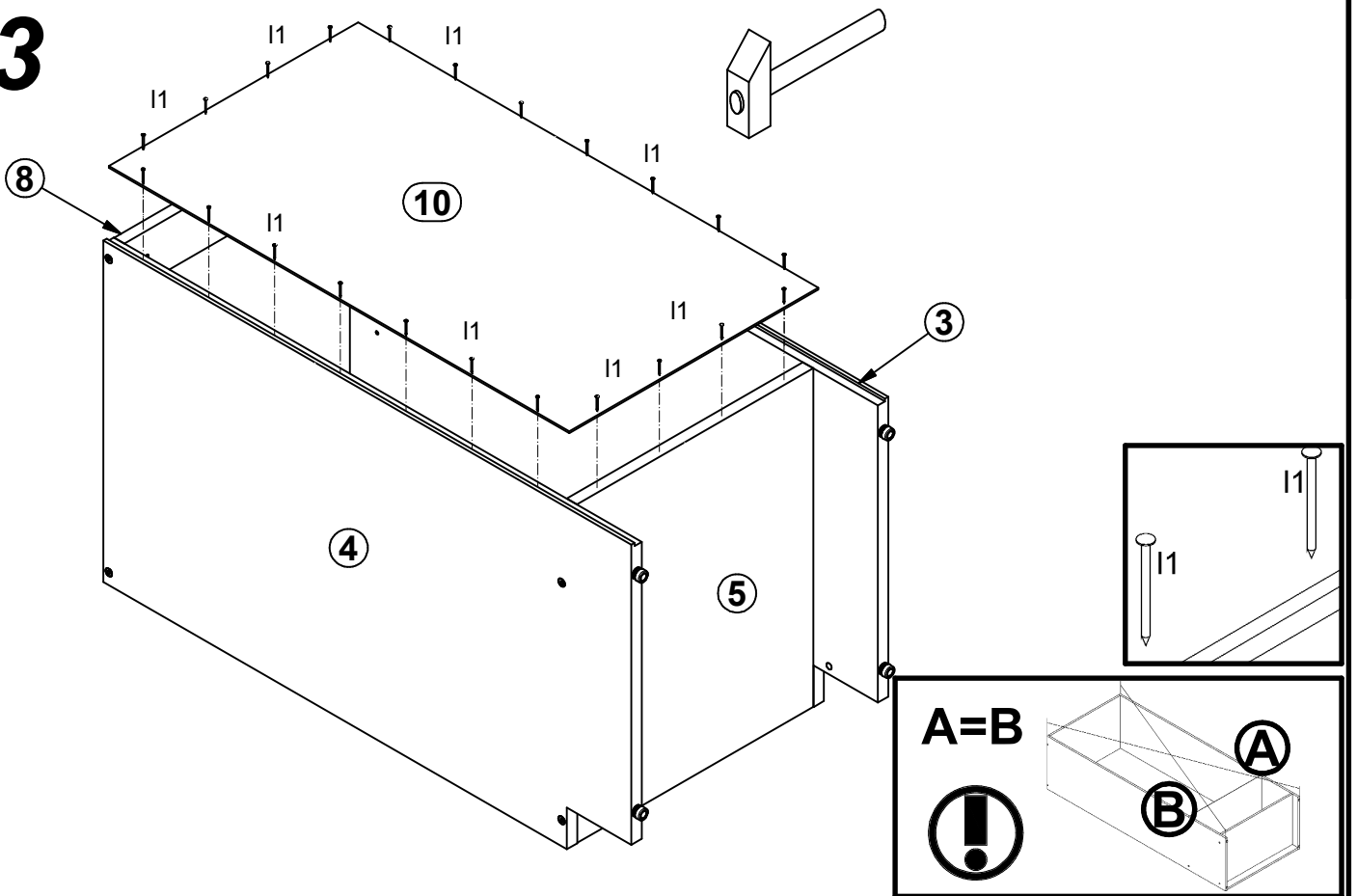
| A  | B        | C   | D   |
|----|----------|-----|-----|
| 1  | K30-0002 | 396 | 570 |
| 2  | K30-0003 | 396 | 140 |
| 3  | K30-1007 | 820 | 460 |
| 4  | K30-1008 | 820 | 460 |
| 5  | K30-3015 | 367 | 456 |
| 6  | K30-3016 | 367 | 446 |
| 7  | K30-4005 | 367 | 70  |
| 8  | K30-4006 | 367 | 70  |
| 9  | K30-4007 | 399 | 99  |
| 10 | K30-9007 | 715 | 387 |



# 2

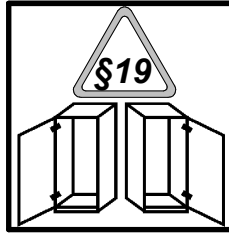


# 3

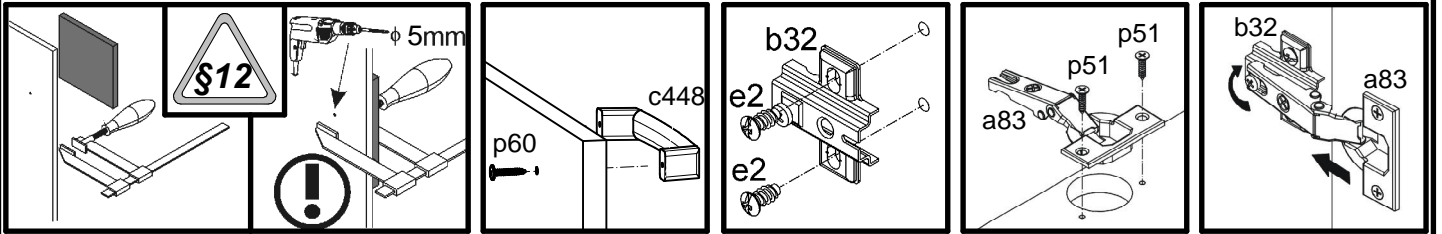
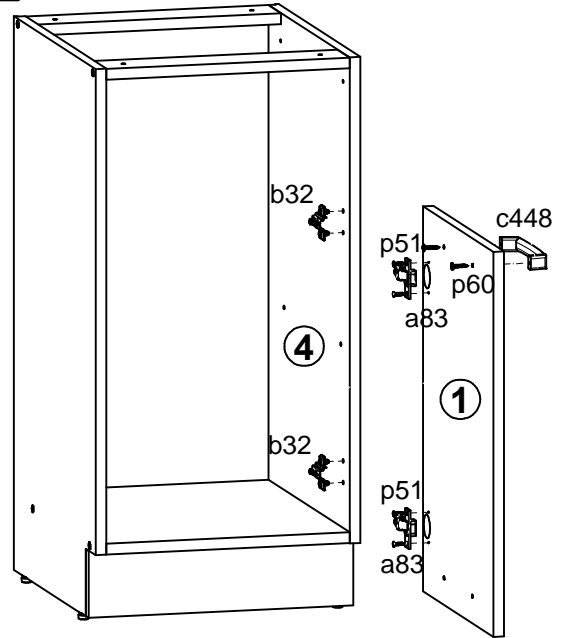
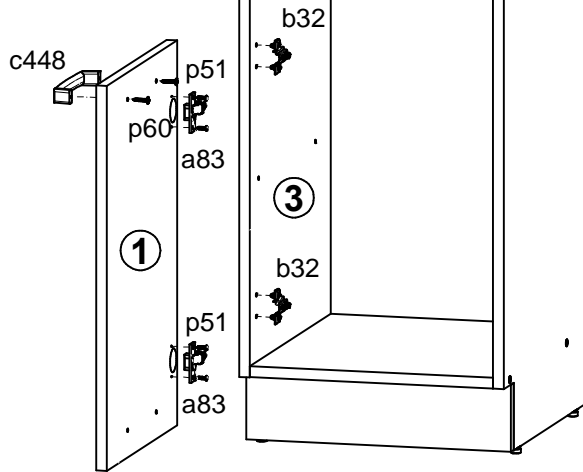


# 4

# L

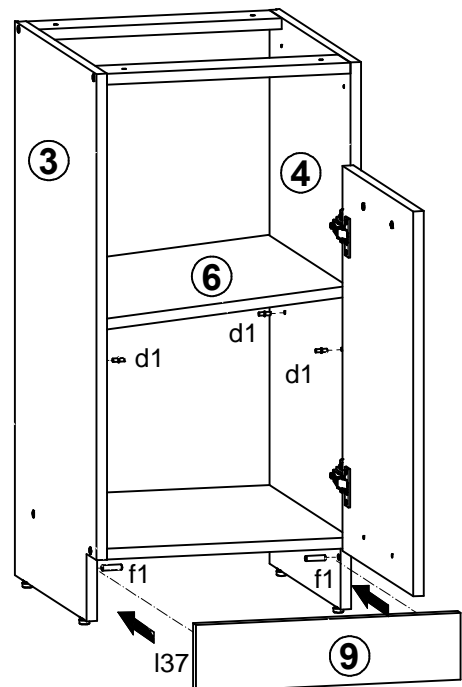
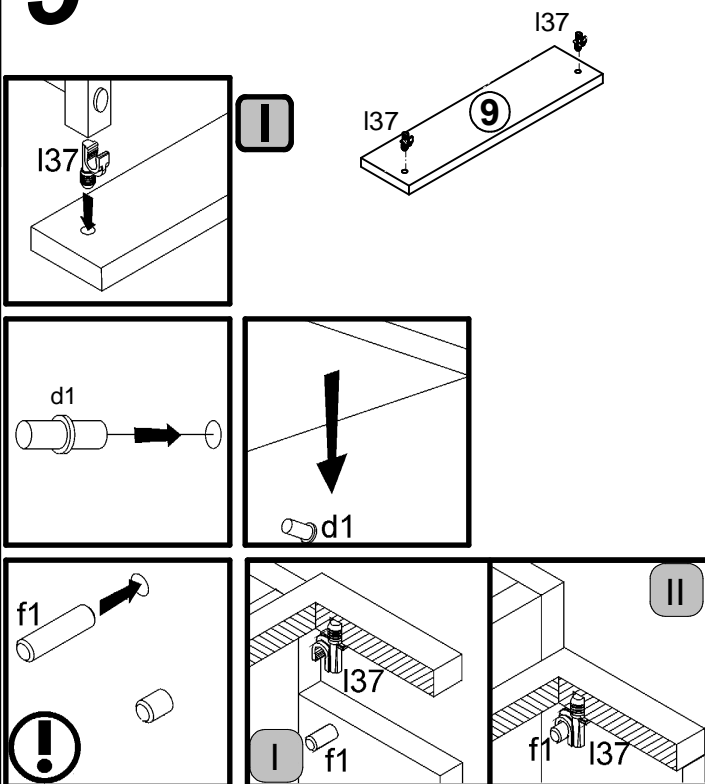


# R



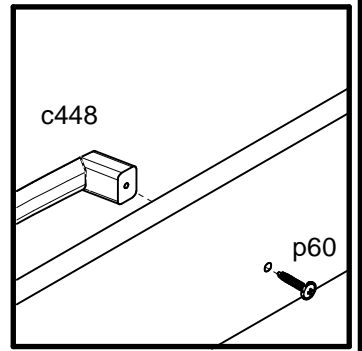
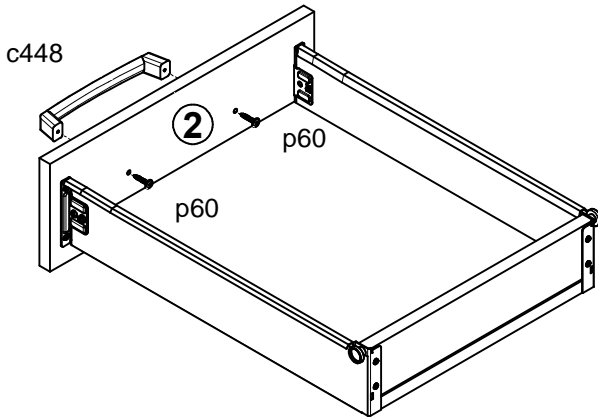
# 5

# II

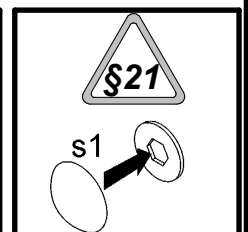
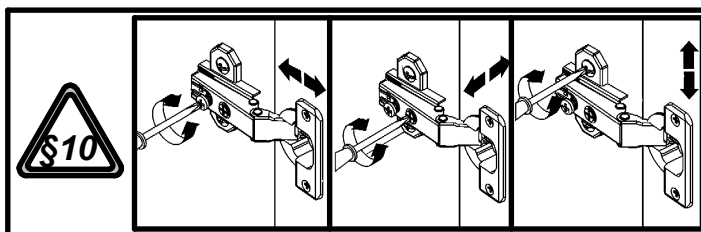
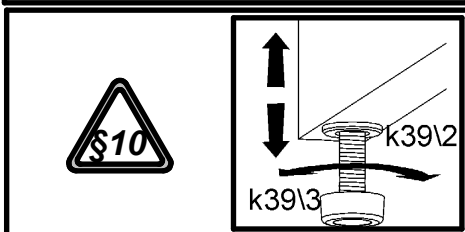
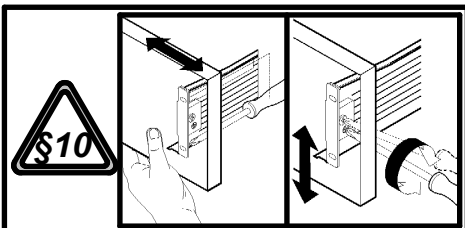
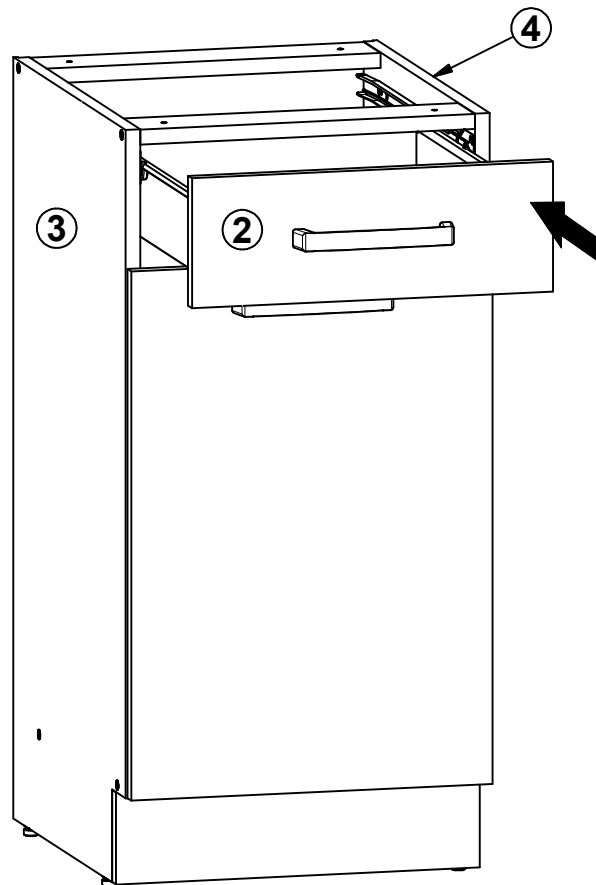


# 6

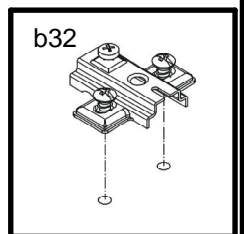
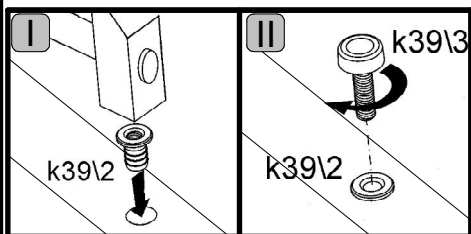
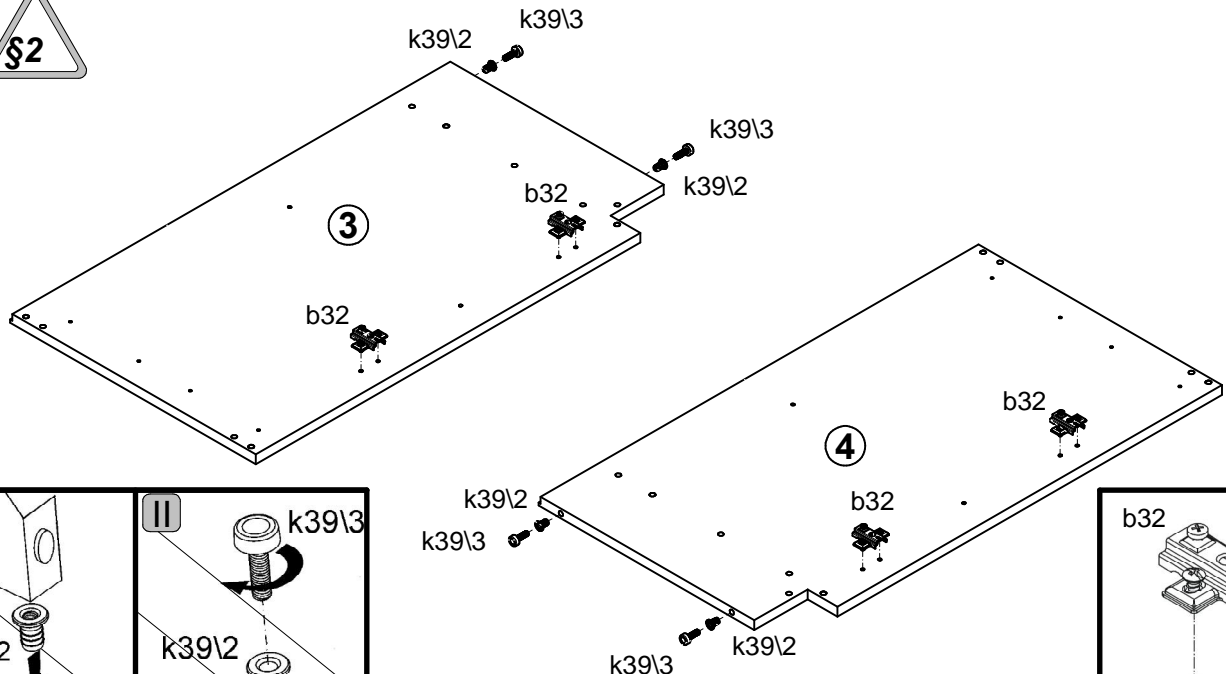
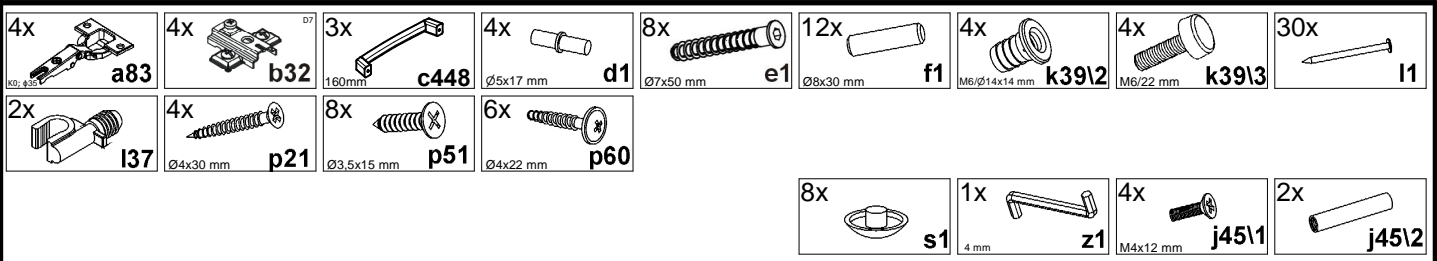
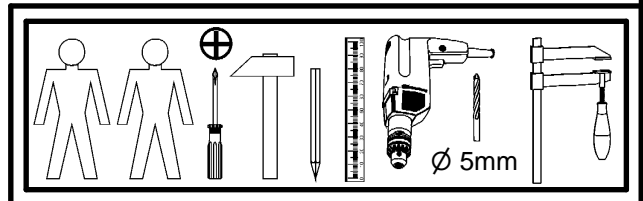
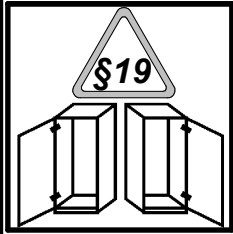
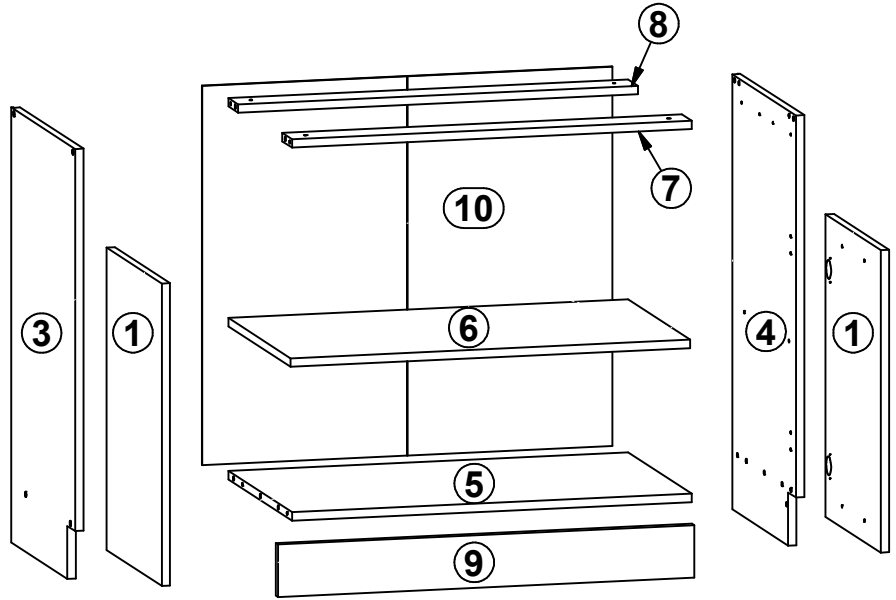
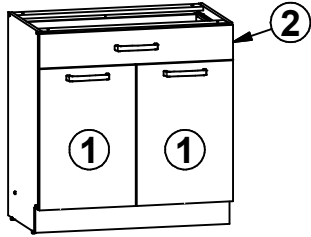
I



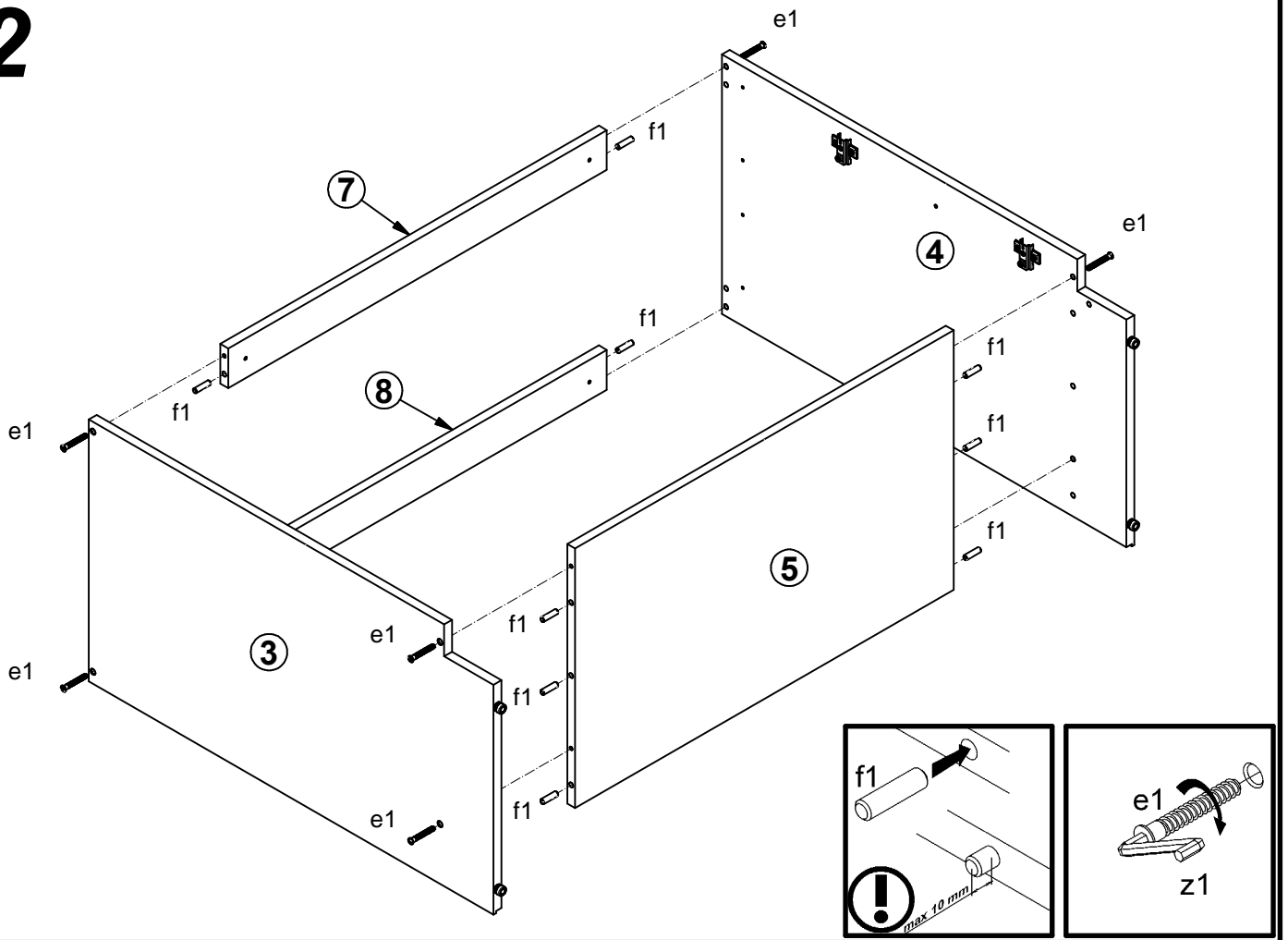
III



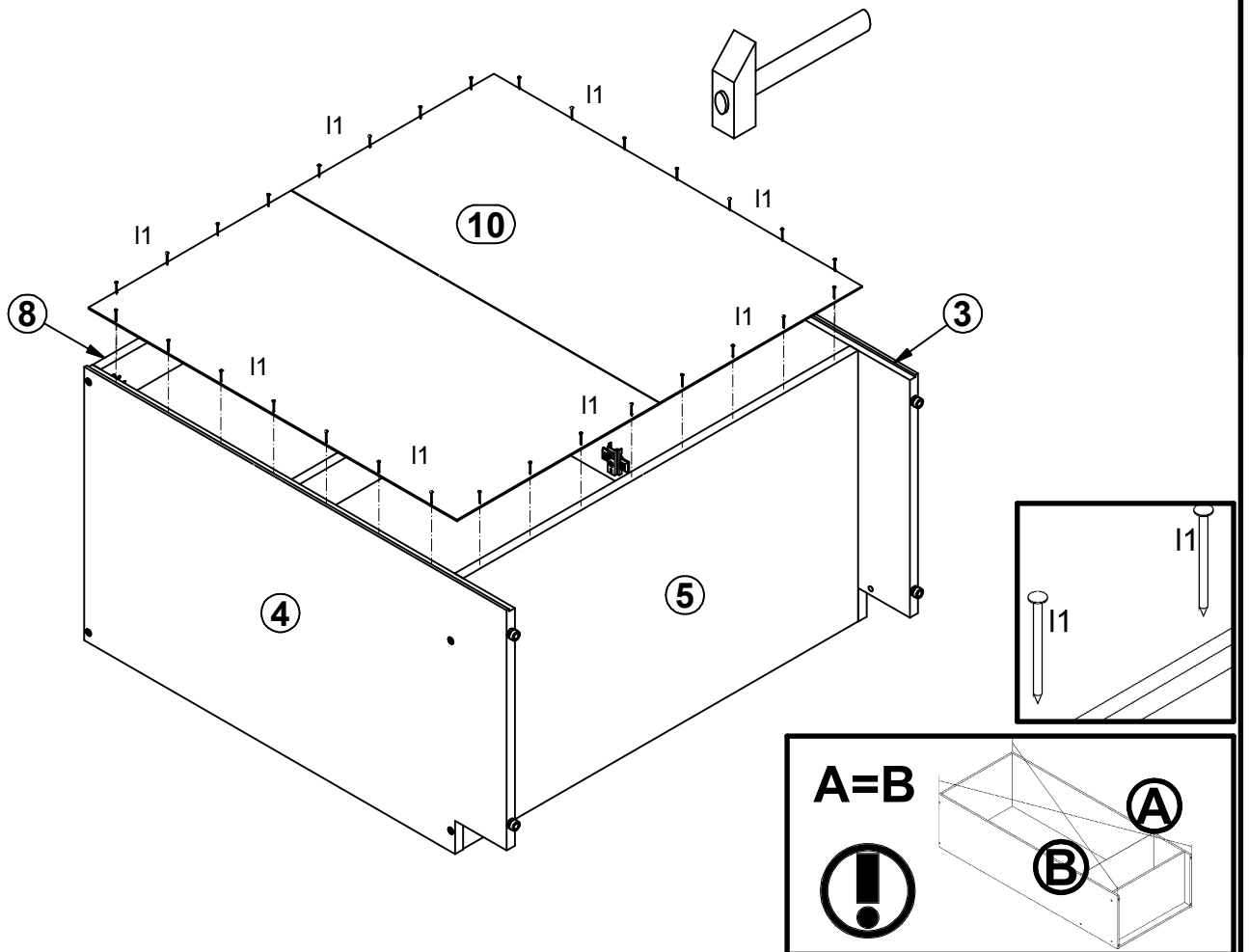
| A  | B        | C   | D   |     |
|----|----------|-----|-----|-----|
| 1  | K30-0002 | 396 | 570 | 4/5 |
| 2  | K30-0018 | 796 | 140 | 5/5 |
| 3  | K30-1007 | 820 | 460 | 1/5 |
| 4  | K30-1008 | 820 | 460 | 1/5 |
| 5  | K30-3019 | 767 | 456 | 1/5 |
| 6  | K30-3020 | 767 | 446 | 1/5 |
| 7  | K30-4008 | 767 | 70  | 1/5 |
| 8  | K30-4009 | 767 | 70  | 1/5 |
| 9  | K30-4010 | 799 | 99  | 1/5 |
| 10 | K30-9008 | 715 | 787 | 1/5 |



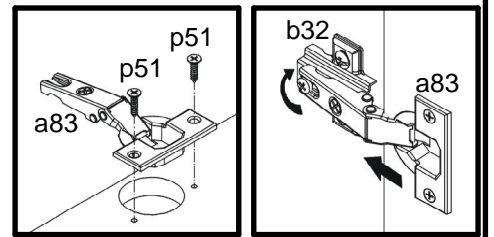
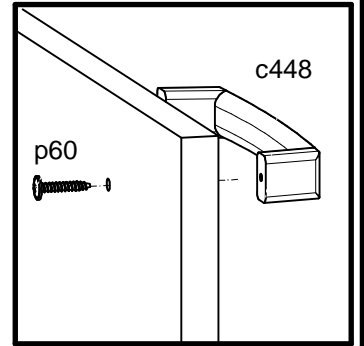
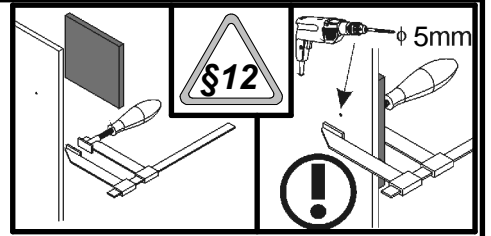
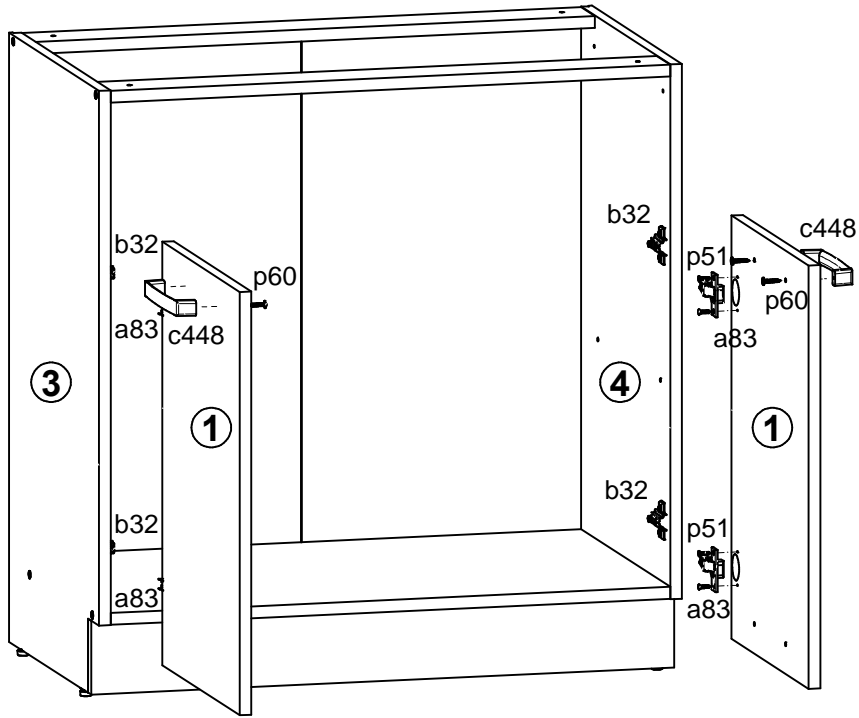
# 2



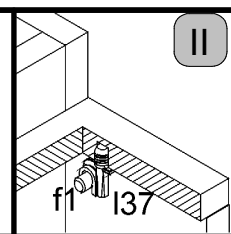
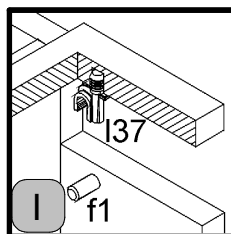
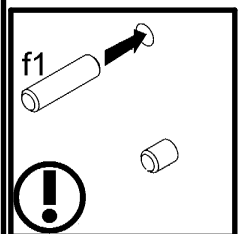
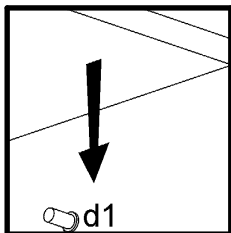
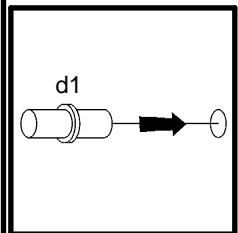
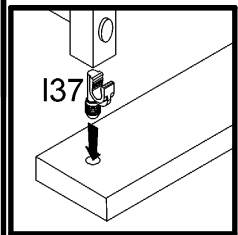
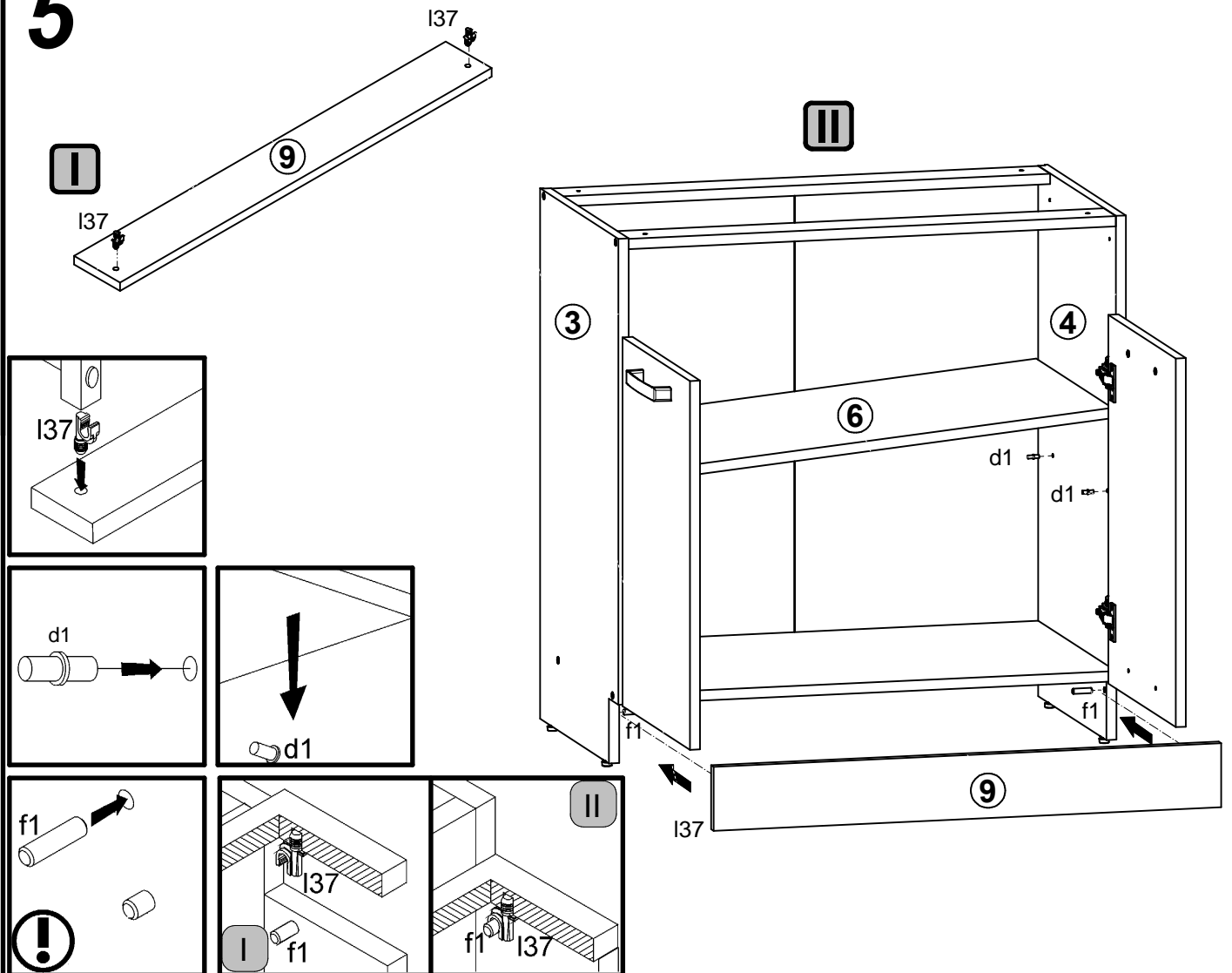
# 3



# 4

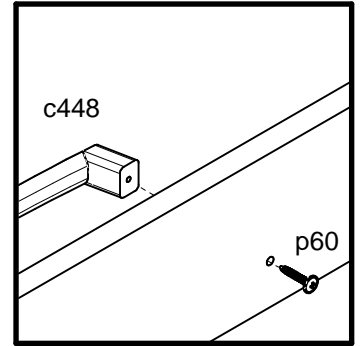
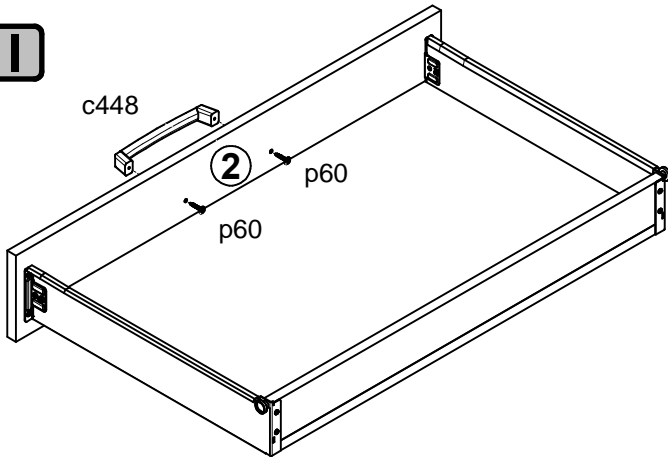


# 5

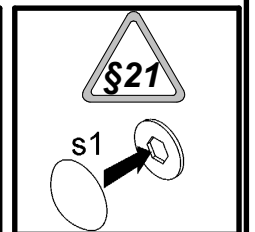
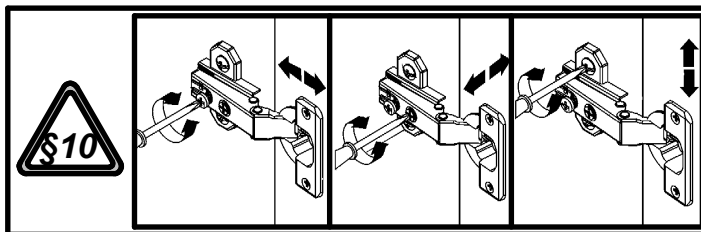
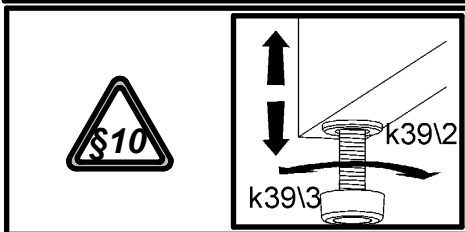
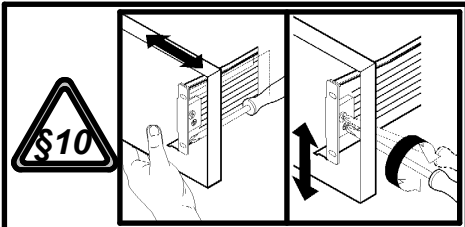
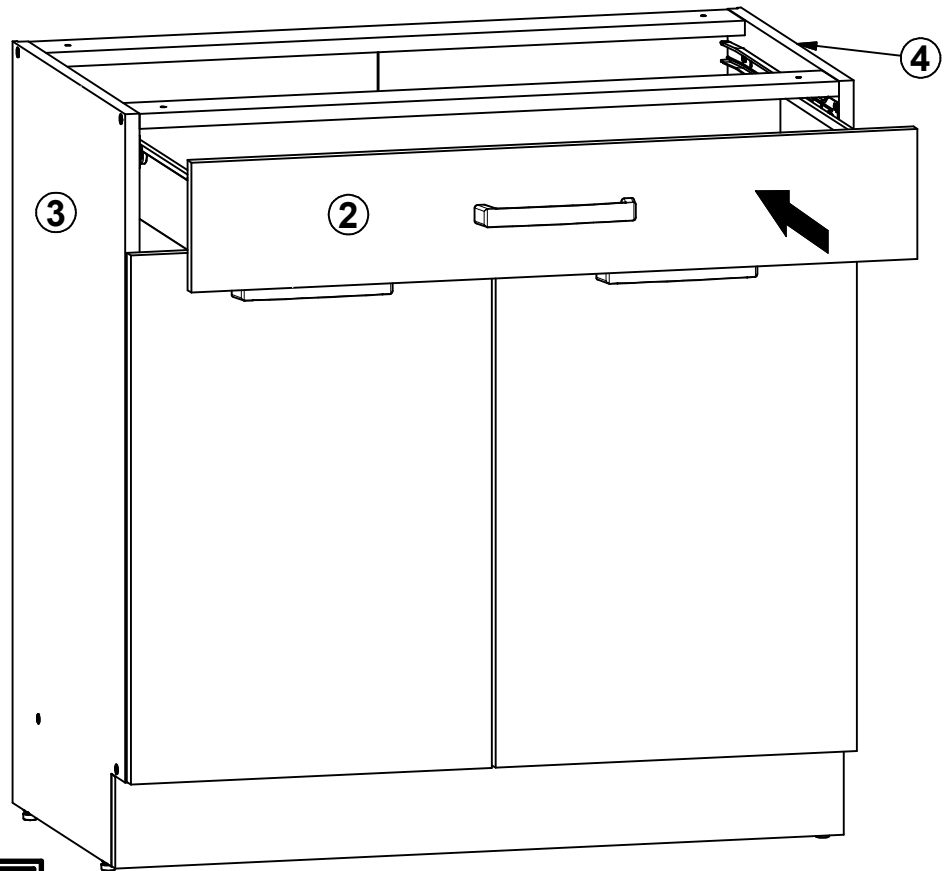


# 6

I

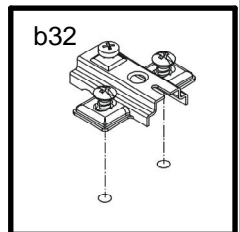
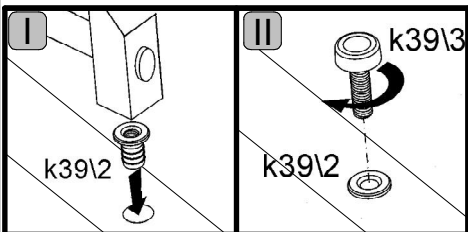
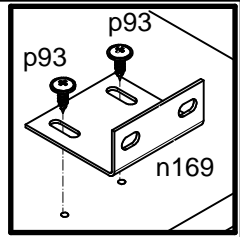
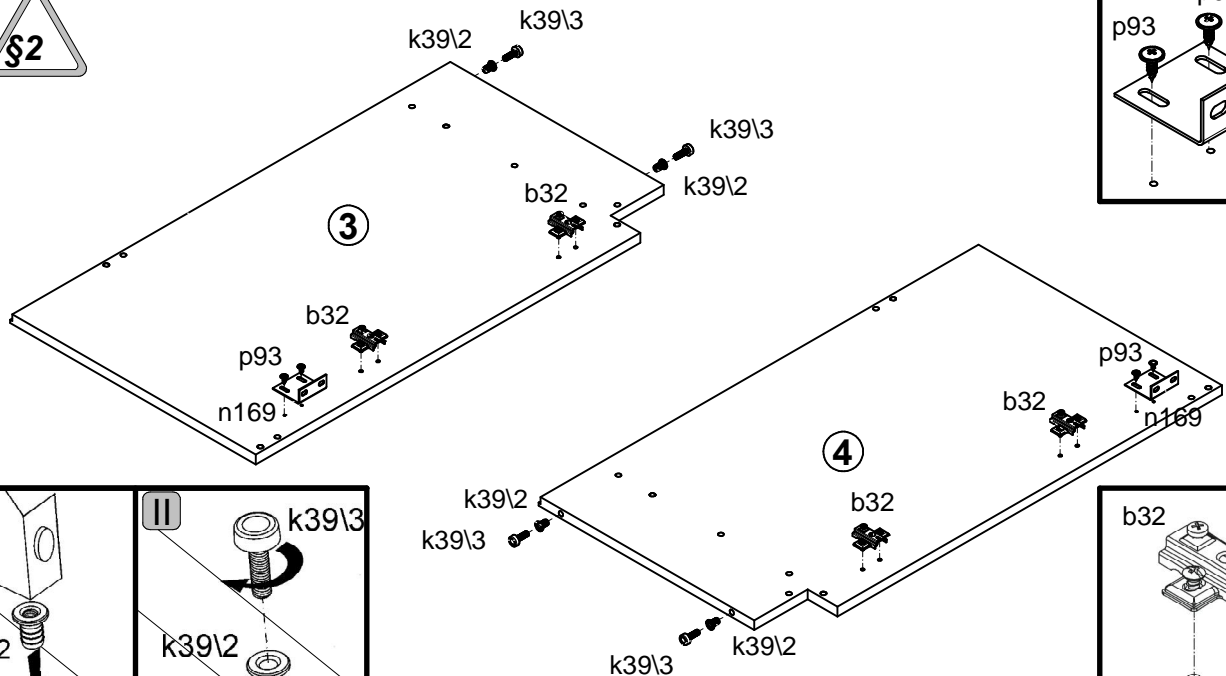
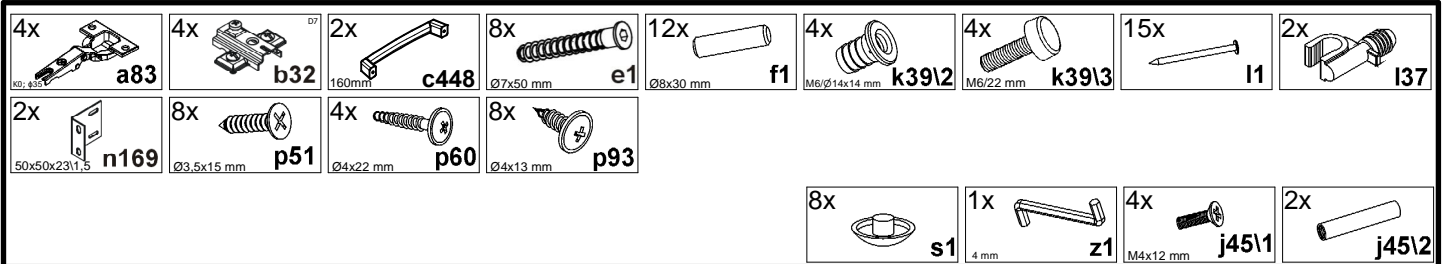
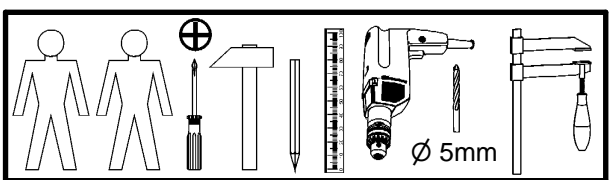
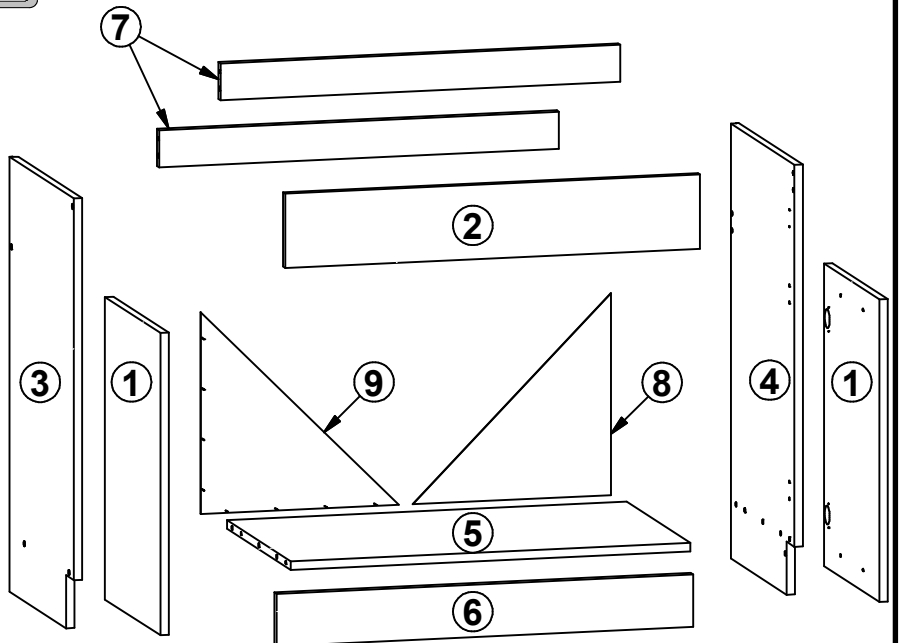
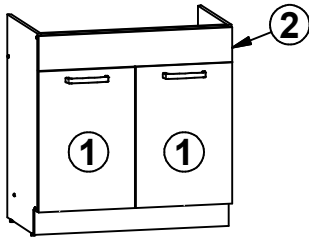


II

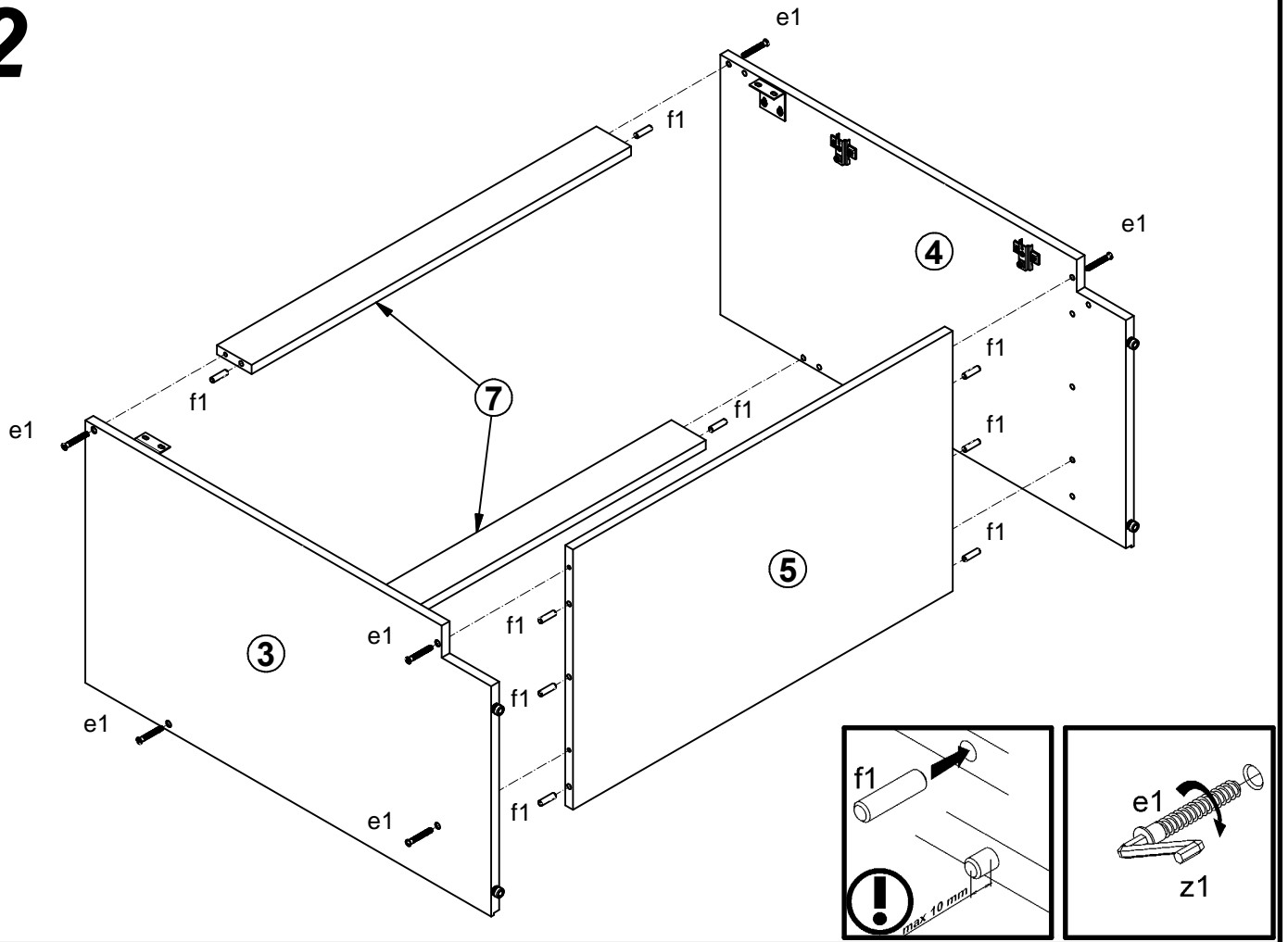




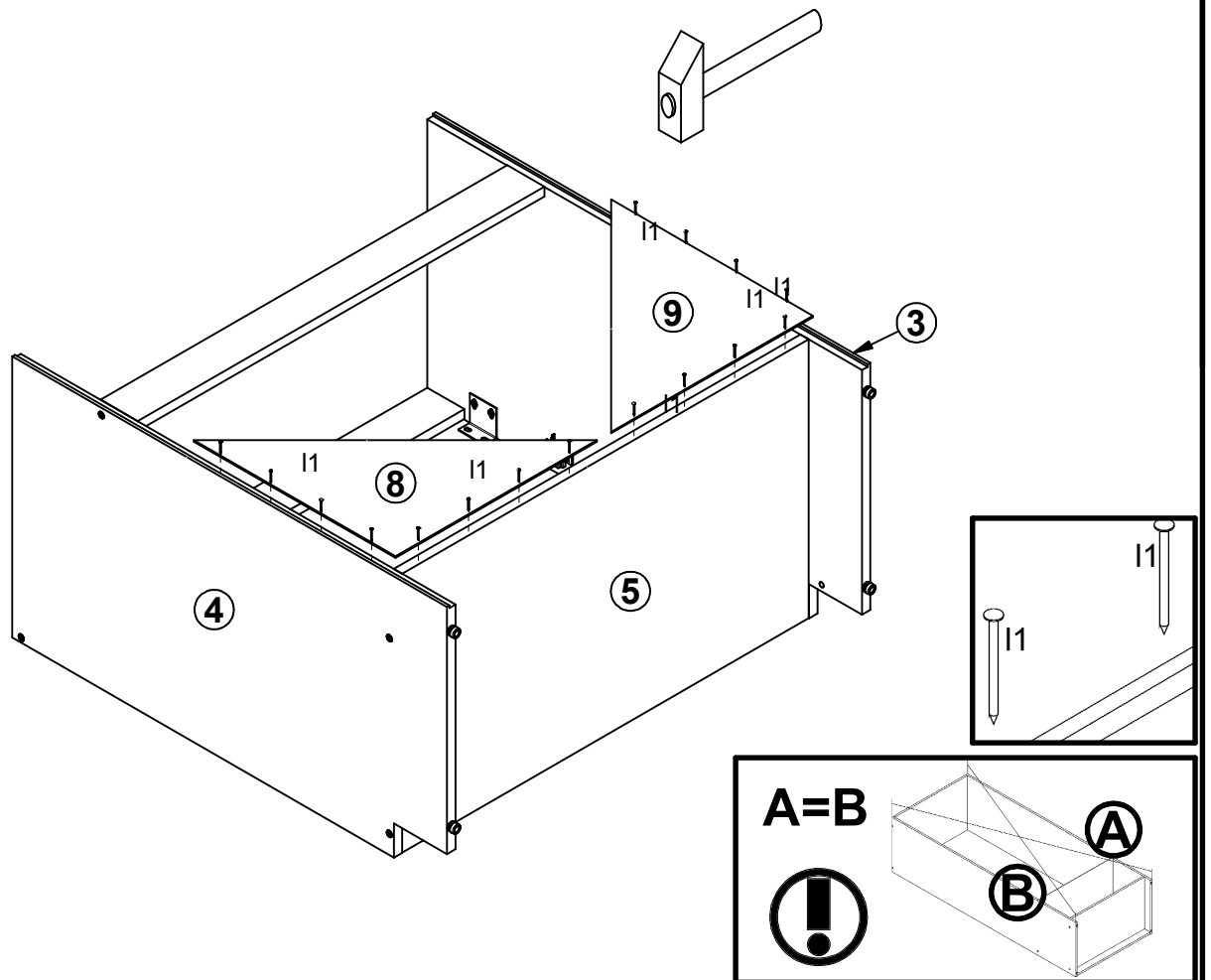
| A | B        | C   | D   |     |
|---|----------|-----|-----|-----|
| 1 | K30-0002 | 396 | 570 | 2/3 |
| 2 | K30-0005 | 796 | 140 | 3/3 |
| 3 | K30-1011 | 820 | 460 | 1/3 |
| 4 | K30-1012 | 820 | 460 | 1/3 |
| 5 | K30-3019 | 767 | 456 | 1/3 |
| 6 | K30-4010 | 799 | 99  | 1/3 |
| 7 | K30-4012 | 767 | 70  | 1/3 |
| 8 | K30-9010 | 380 | 380 | 1/3 |
| 9 | K30-9017 | 380 | 380 | 1/3 |



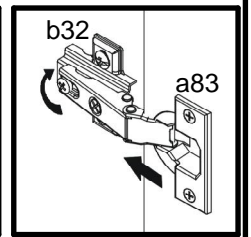
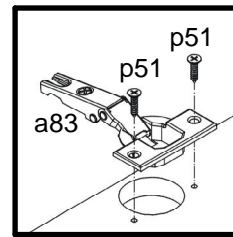
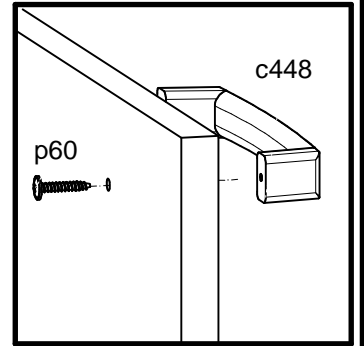
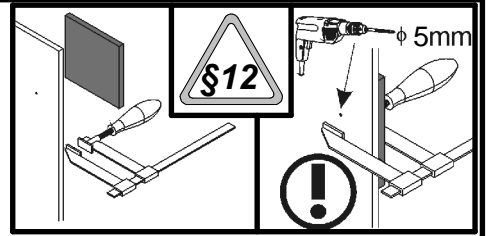
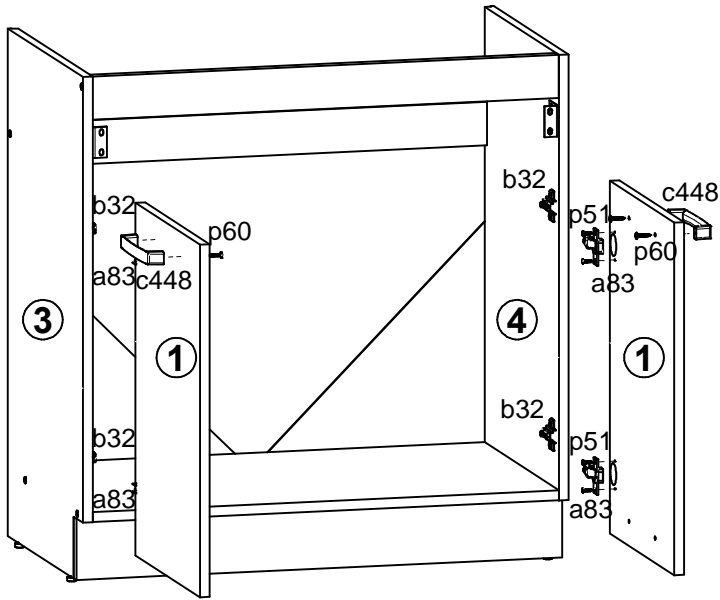
# 2



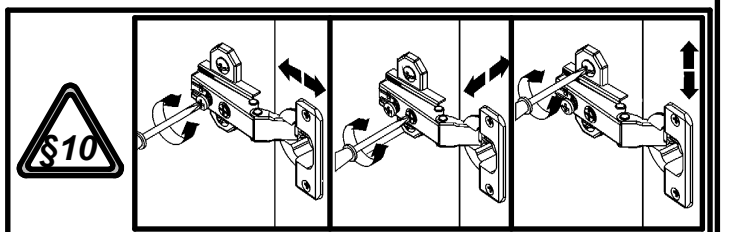
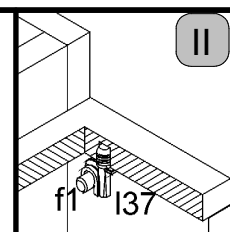
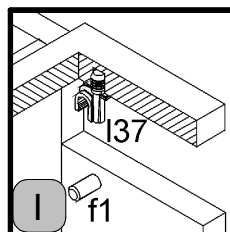
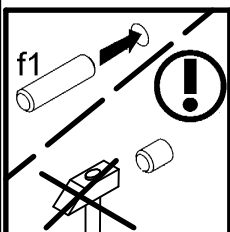
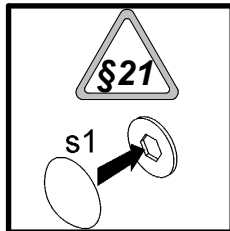
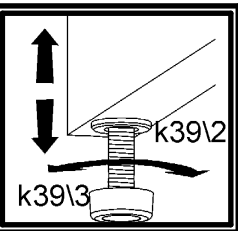
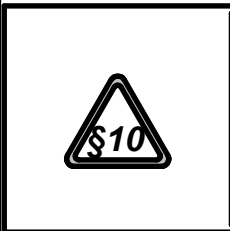
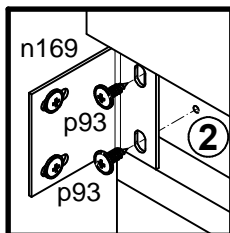
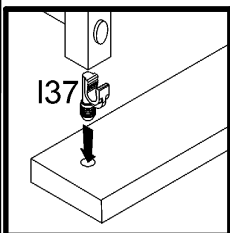
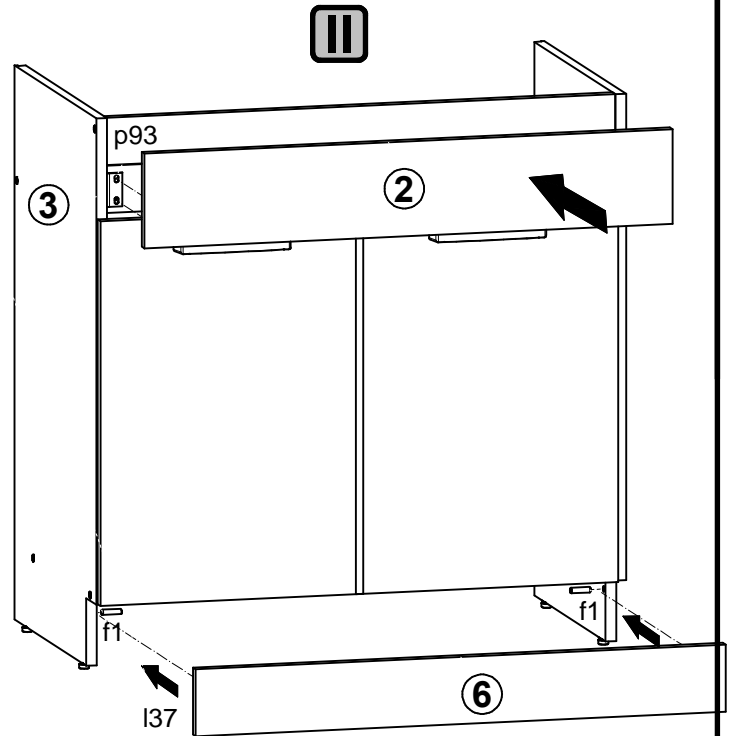
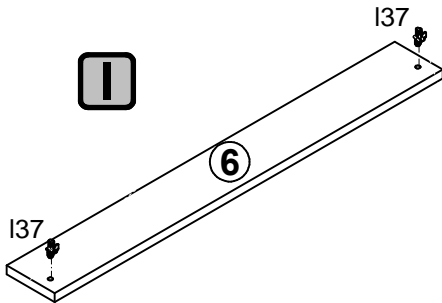
# 3



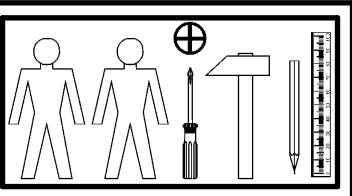
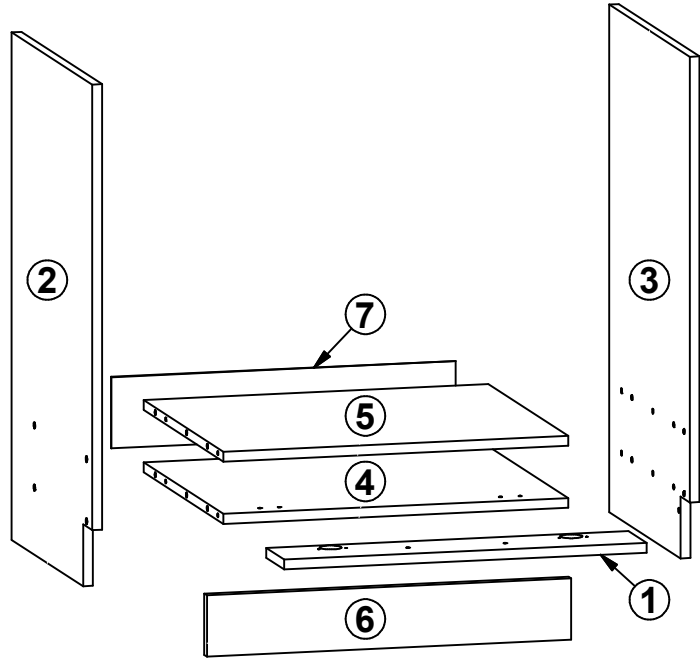
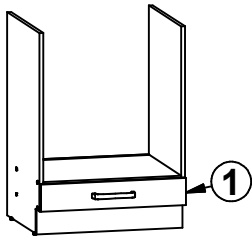
# 4



# 5

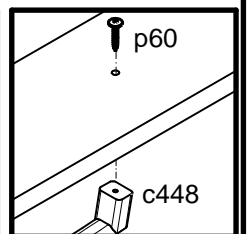
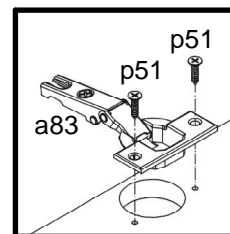
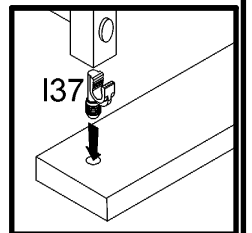
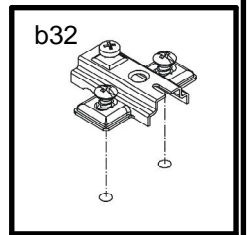
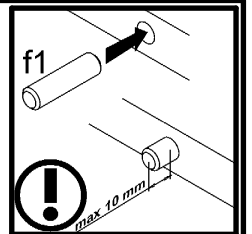
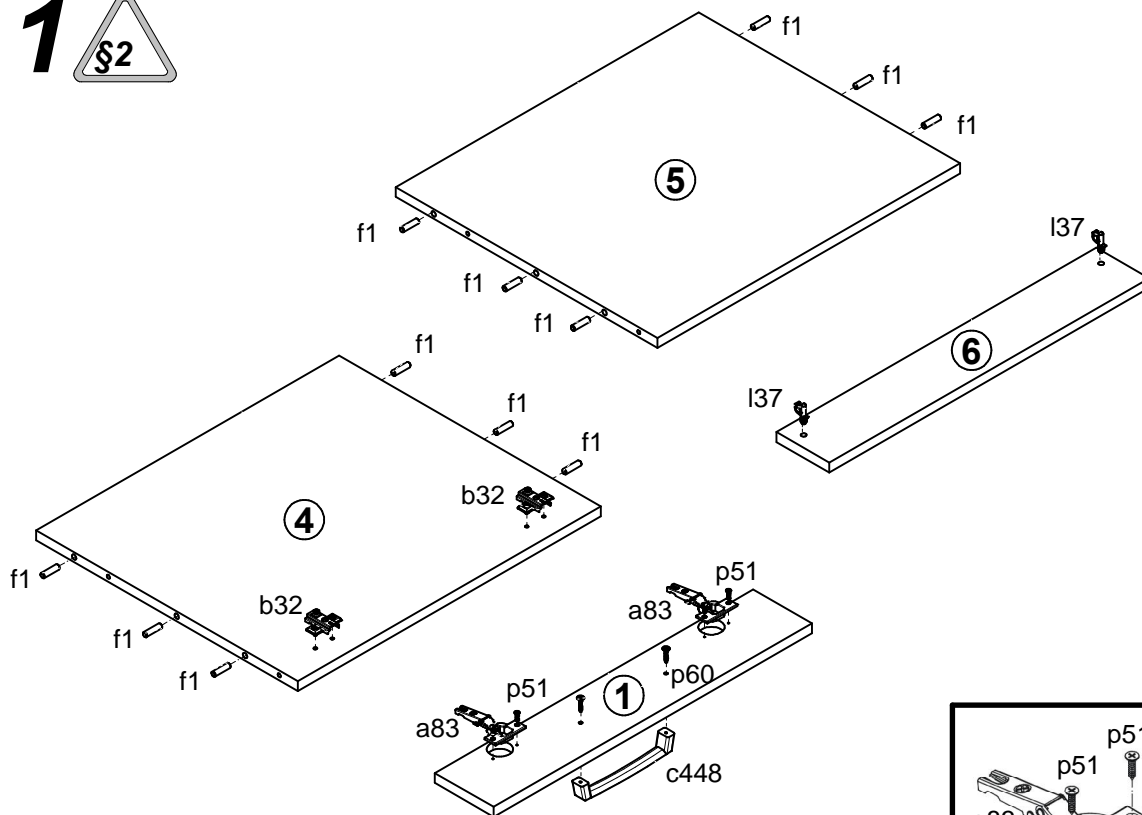


| A | B        | C   | D   |
|---|----------|-----|-----|
| 1 | K30-0004 | 596 | 110 |
| 2 | K30-1009 | 820 | 495 |
| 3 | K30-1010 | 820 | 495 |
| 4 | K30-3023 | 567 | 490 |
| 5 | K30-3031 | 567 | 490 |
| 6 | K30-4002 | 599 | 99  |
| 7 | K30-9009 | 115 | 566 |

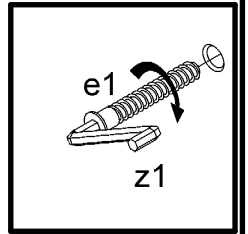
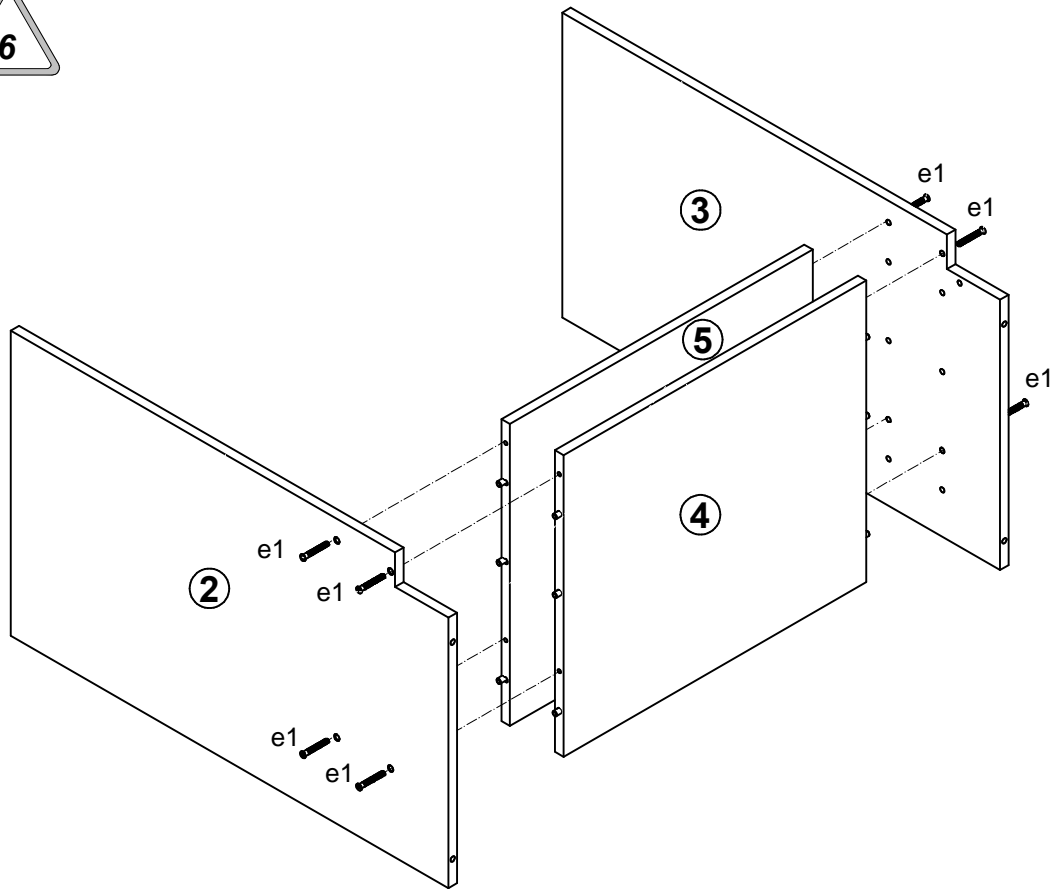


|                             |                         |                         |                         |                       |                             |                         |                         |             |
|-----------------------------|-------------------------|-------------------------|-------------------------|-----------------------|-----------------------------|-------------------------|-------------------------|-------------|
| 2x<br>K30-832<br>a83        | 2x<br>b32               | 1x<br>160mm<br>c448     | 8x<br>Ø7x50 mm<br>e1    | 14x<br>Ø8x30 mm<br>f1 | 4x<br>M6/Ø14x14 mm<br>k39/2 | 4x<br>M6/22 mm<br>k39/3 | 15x<br>l1               | 2x<br>l37   |
| 4x<br>86x21x15/1.5<br>n14/2 | 8x<br>Ø3.5x13 mm<br>p27 | 4x<br>Ø3.5x16 mm<br>p38 | 4x<br>Ø3.5x15 mm<br>p51 | 2x<br>Ø4x22 mm<br>p60 | 8x<br>s1                    | 1x<br>4 mm<br>z1        | 4x<br>M4x12 mm<br>j45/1 | 2x<br>j45/2 |

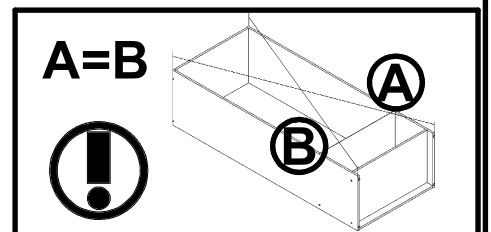
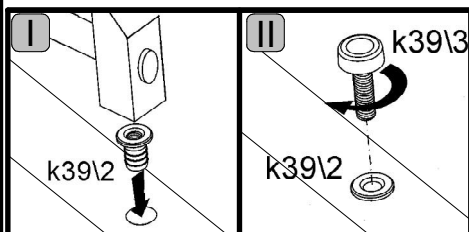
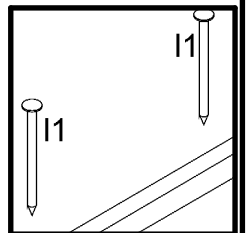
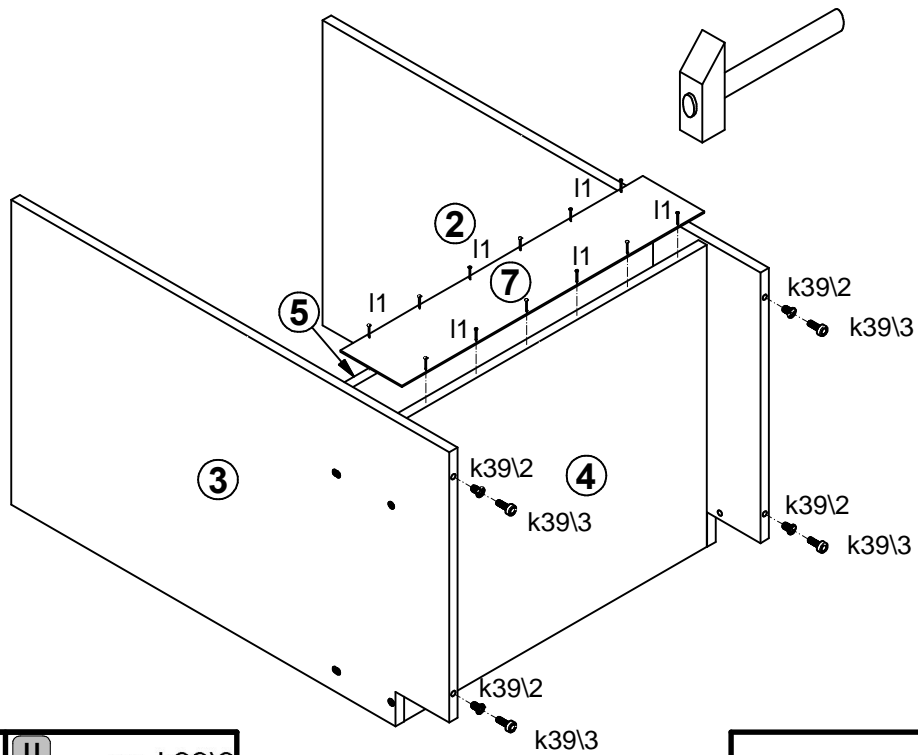
1 §2



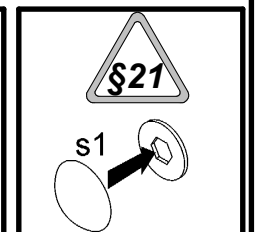
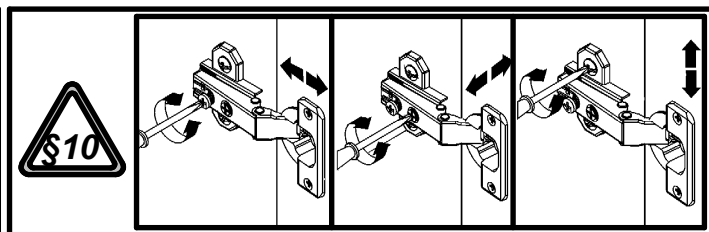
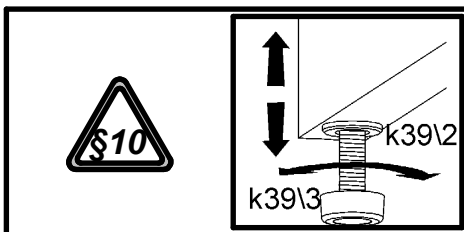
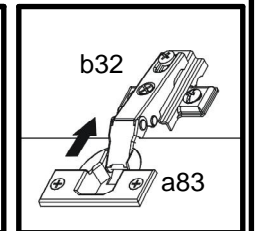
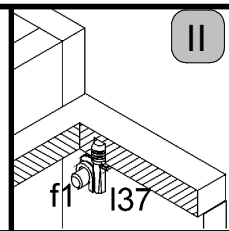
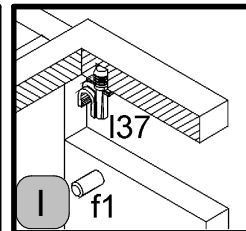
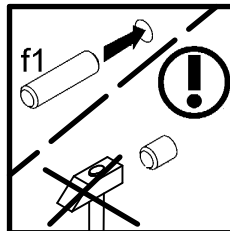
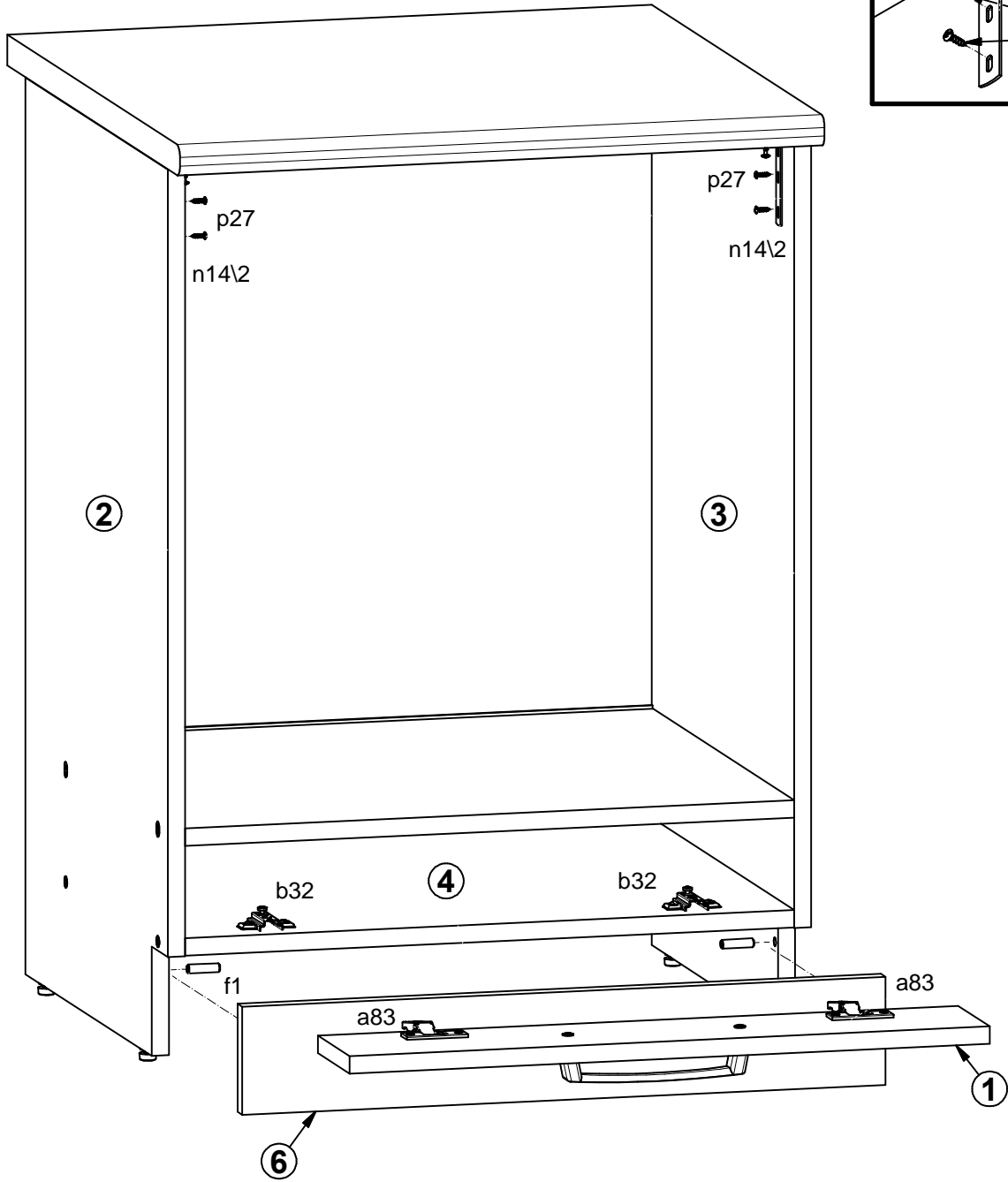
# 2



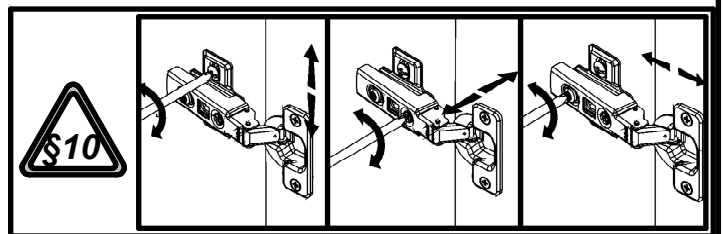
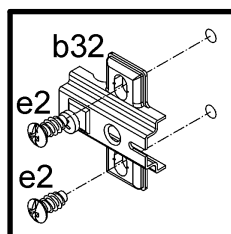
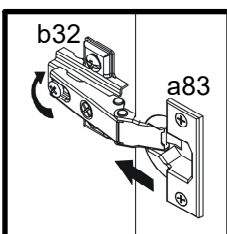
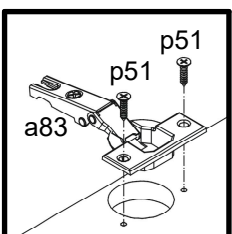
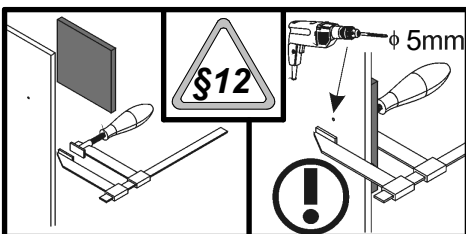
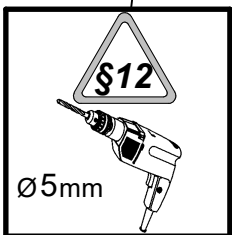
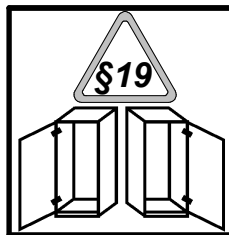
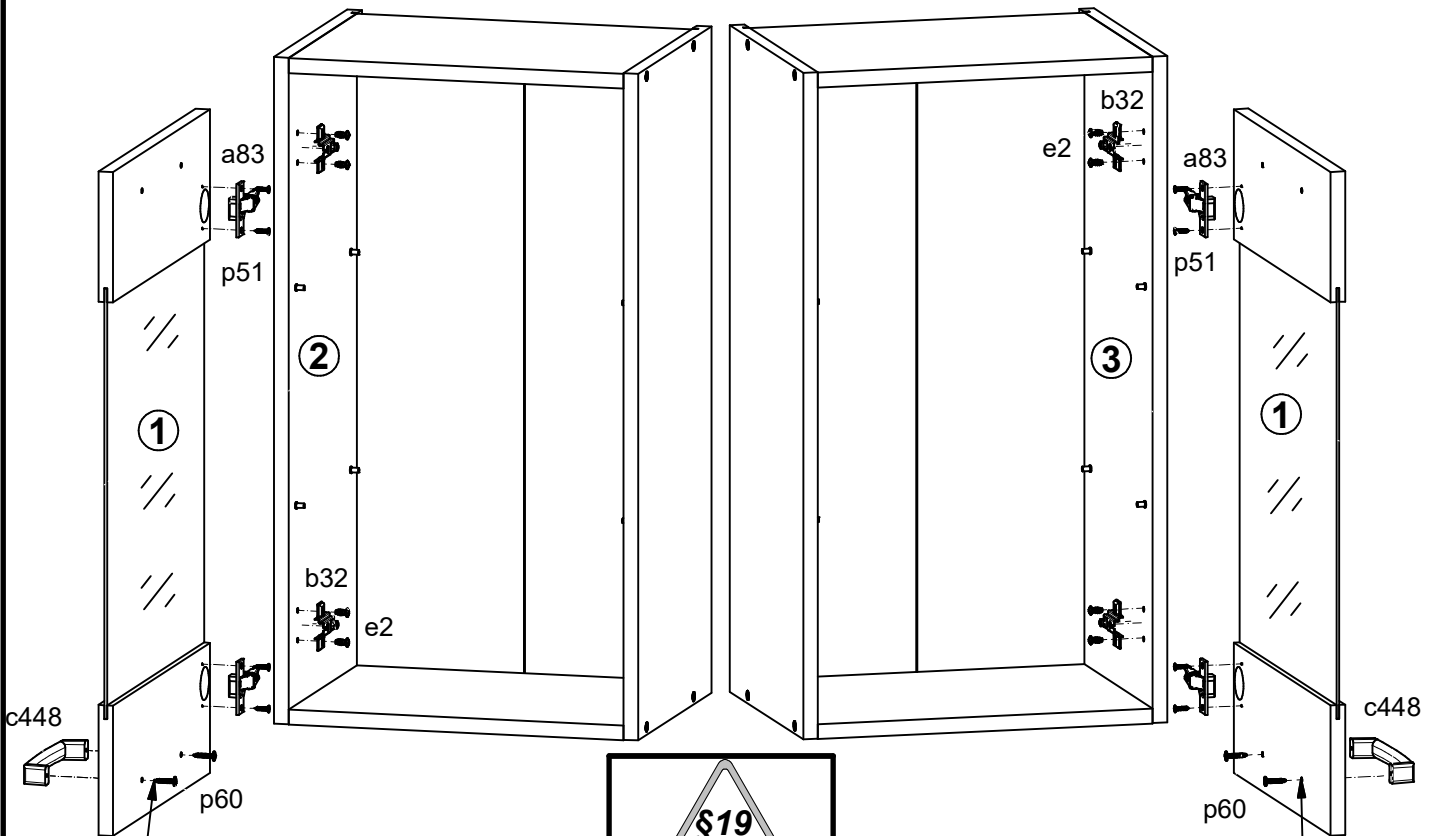
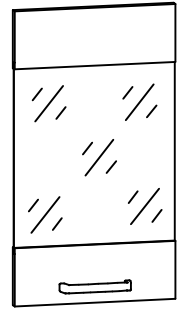
# 3



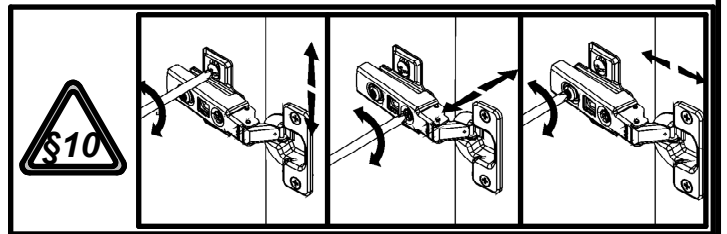
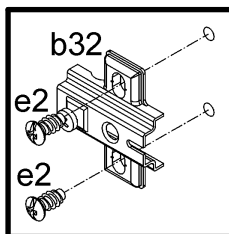
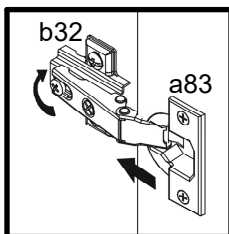
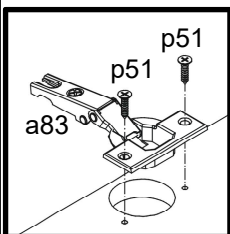
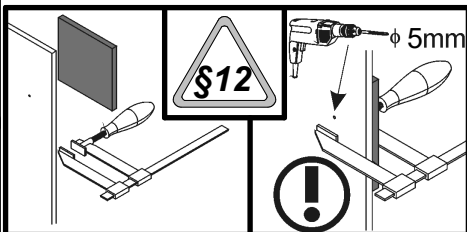
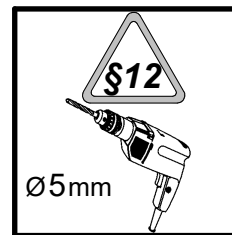
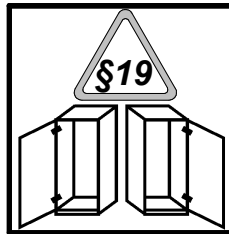
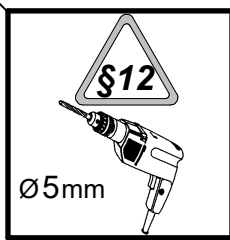
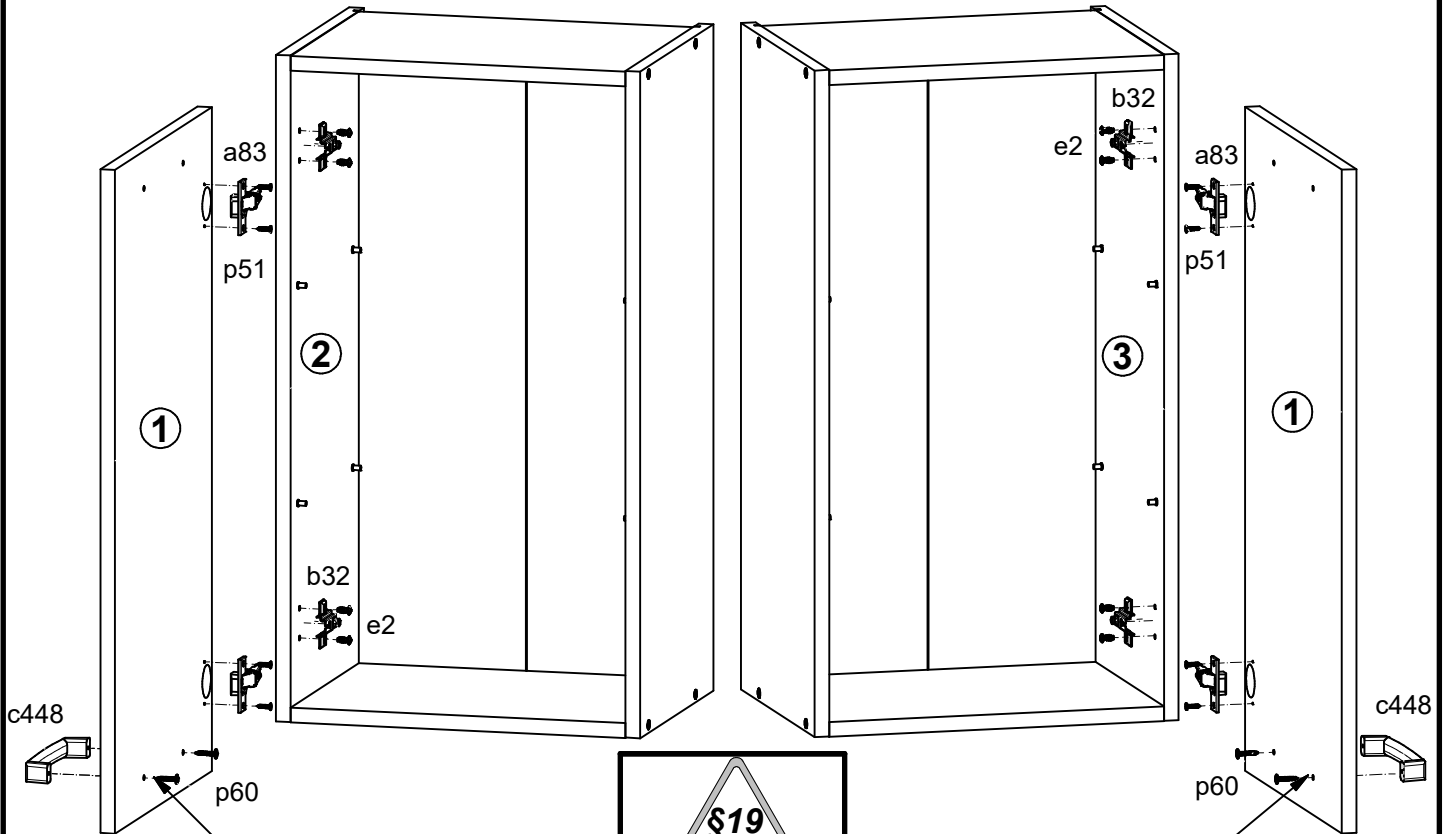
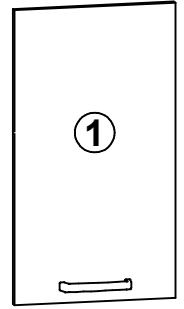
# 4



| A | B        | C   | D   |
|---|----------|-----|-----|
| 1 | K30-0001 | 713 | 396 |
|   |          |     | 2/2 |



| A | B        | C   | D   |
|---|----------|-----|-----|
| 1 | K30-0008 | 396 | 713 |
|   |          |     | 2/2 |

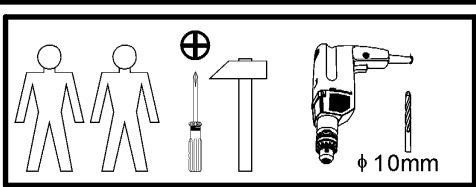
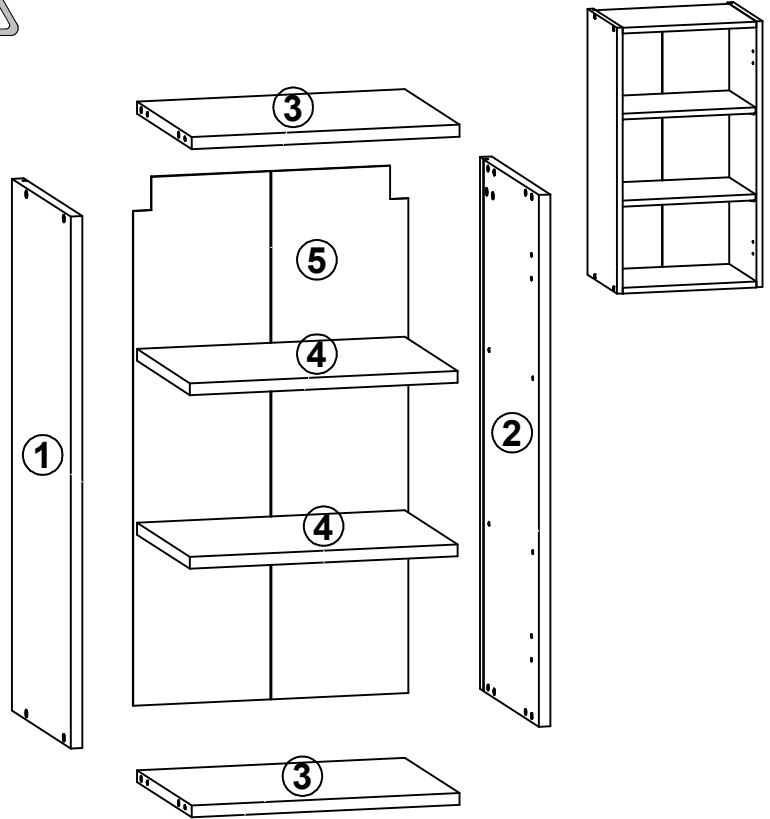




# SEMI LINE

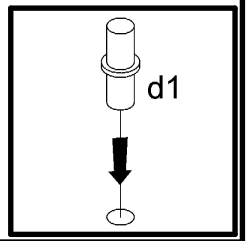
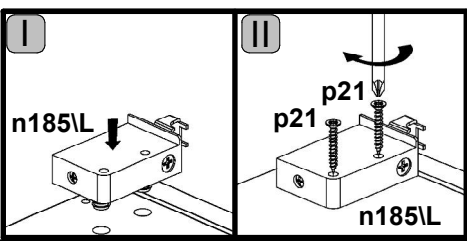
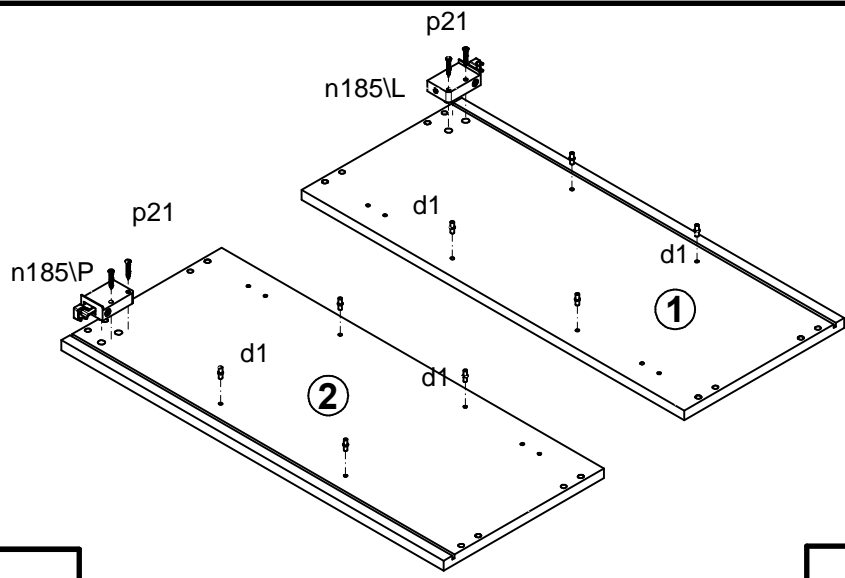
# K30-G-40/72

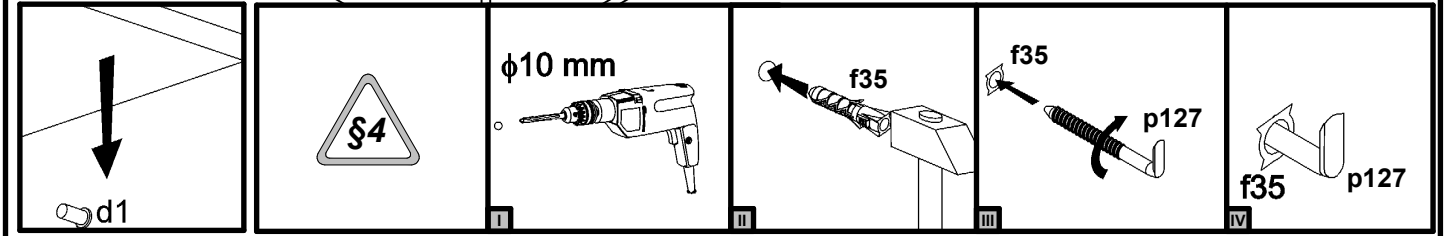
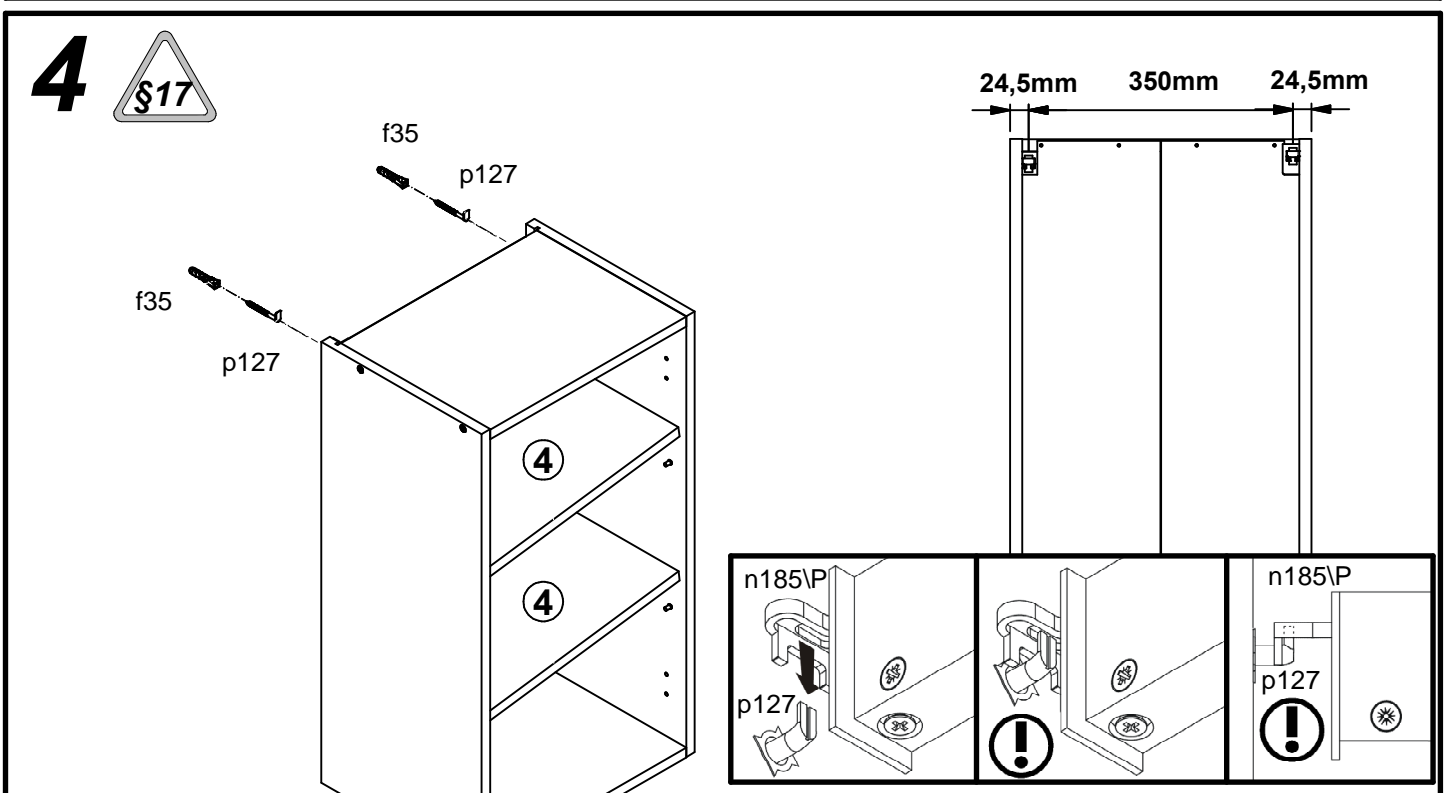
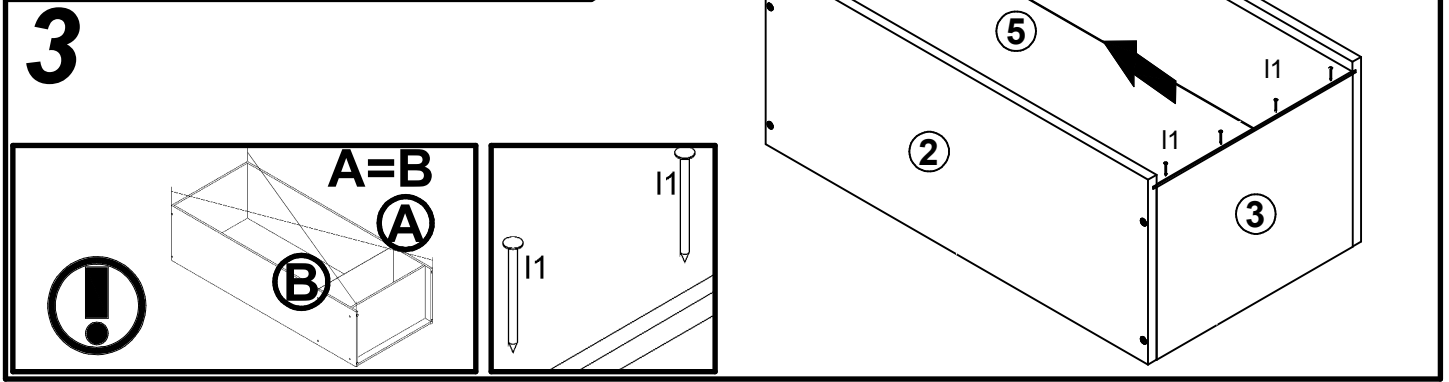
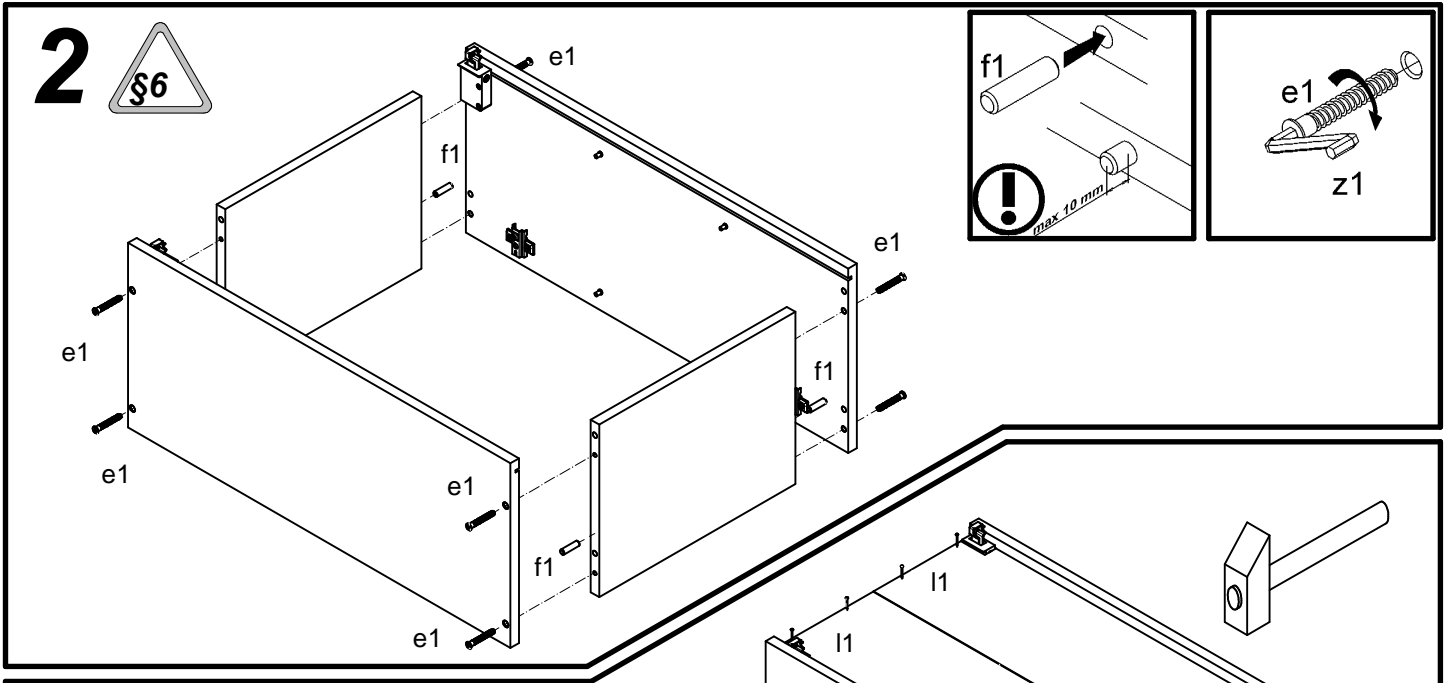
| A | B        | C   | D   |
|---|----------|-----|-----|
| 1 | K30-1001 | 716 | 300 |
| 2 | K30-1002 | 716 | 300 |
| 3 | K30-3001 | 367 | 280 |
| 4 | K30-3002 | 367 | 270 |
| 5 | K30-9001 | 711 | 377 |



- |                        |                       |                         |                       |                      |             |                      |                        |                         |
|------------------------|-----------------------|-------------------------|-----------------------|----------------------|-------------|----------------------|------------------------|-------------------------|
| 2x<br>a83              | 2x<br>b32             | 1x<br>c448<br>160mm     | 8x<br>d1<br>Ø5x17 mm  | 8x<br>e1<br>Ø7x50 mm | 4x<br>j45\2 | 8x<br>f1<br>Ø8x30 mm | 2x<br>f35<br>Ø10x50 mm | 15x<br>l1               |
| 2x<br>p127<br>Ø6x60 mm | 4x<br>p21<br>Ø4x30 mm | 4x<br>p51<br>Ø3.5x15 mm | 2x<br>p60<br>Ø4x22 mm | 1x<br>z1<br>4 mm     | 8x<br>s1    | 1x<br>n185\L         | 1x<br>n185\P           | 4x<br>j45\1<br>M4x12 mm |

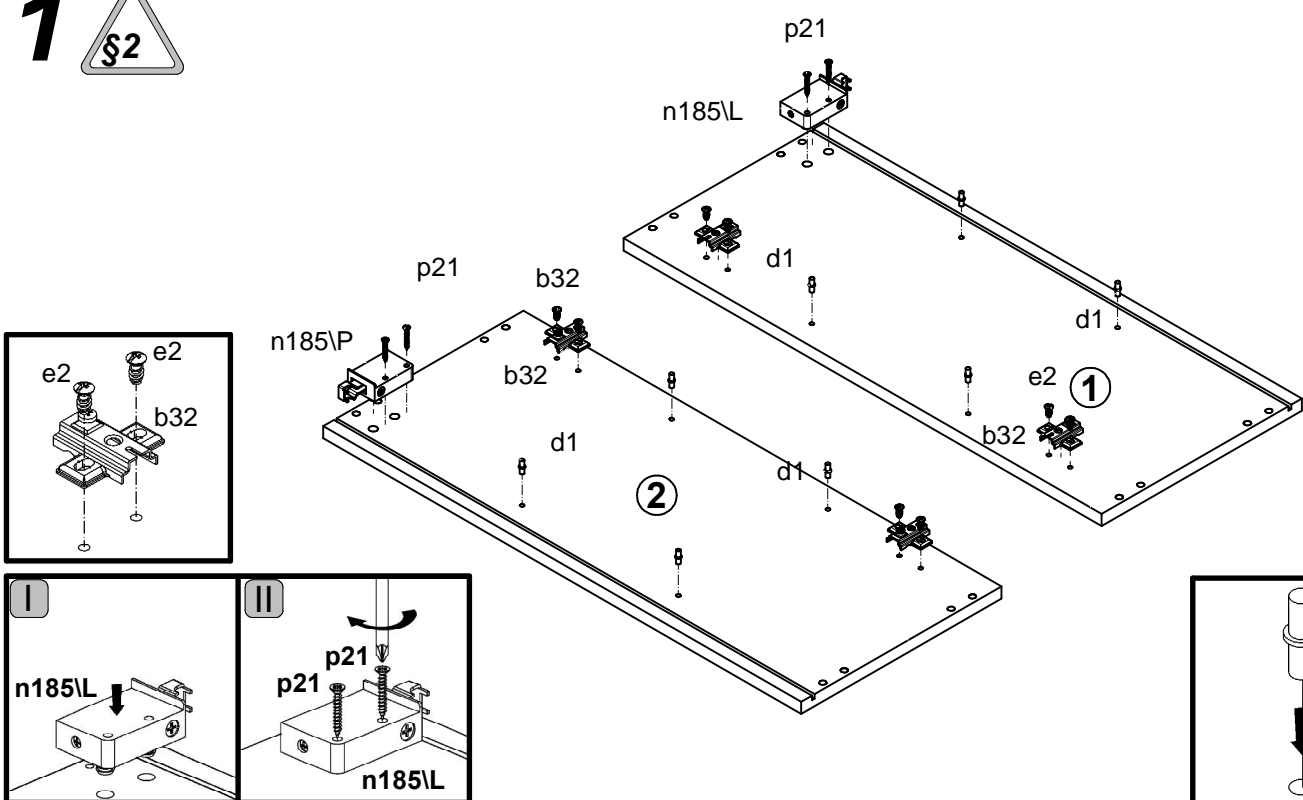
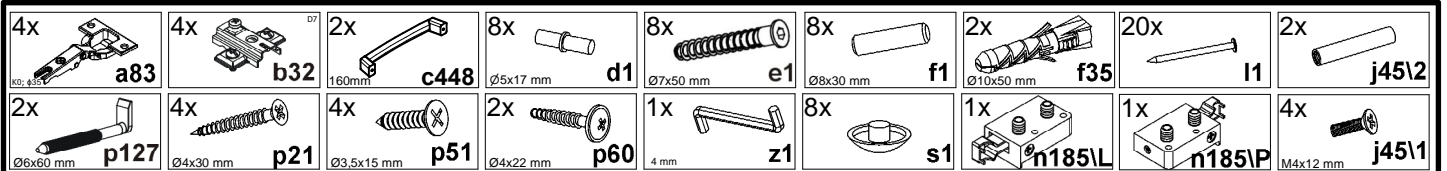
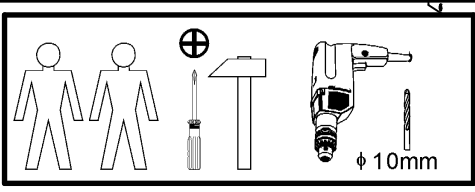
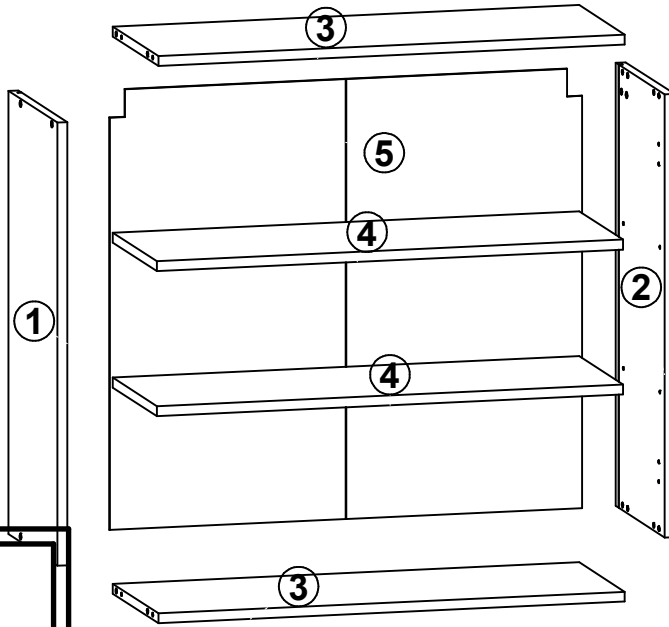
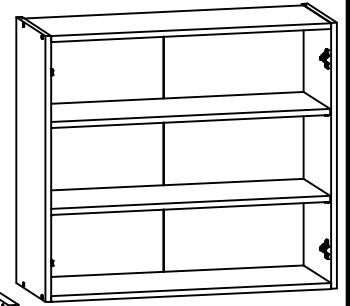
## 1 §2

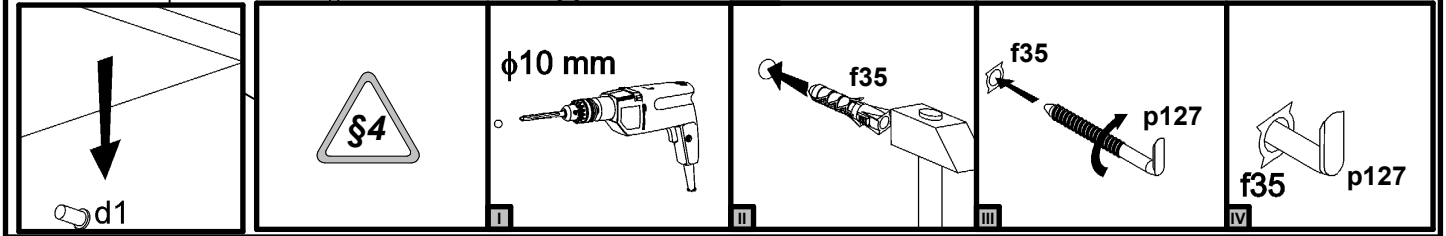
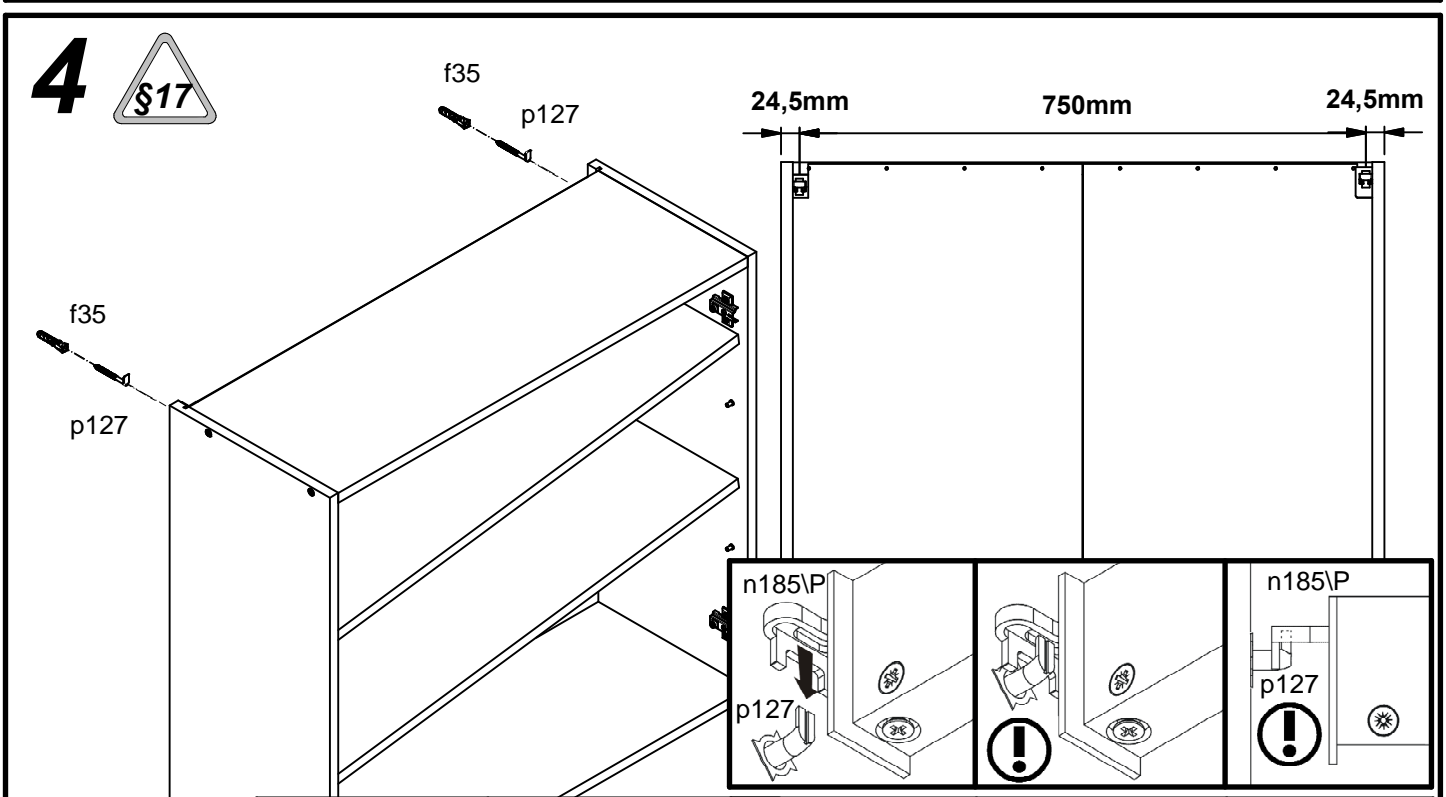
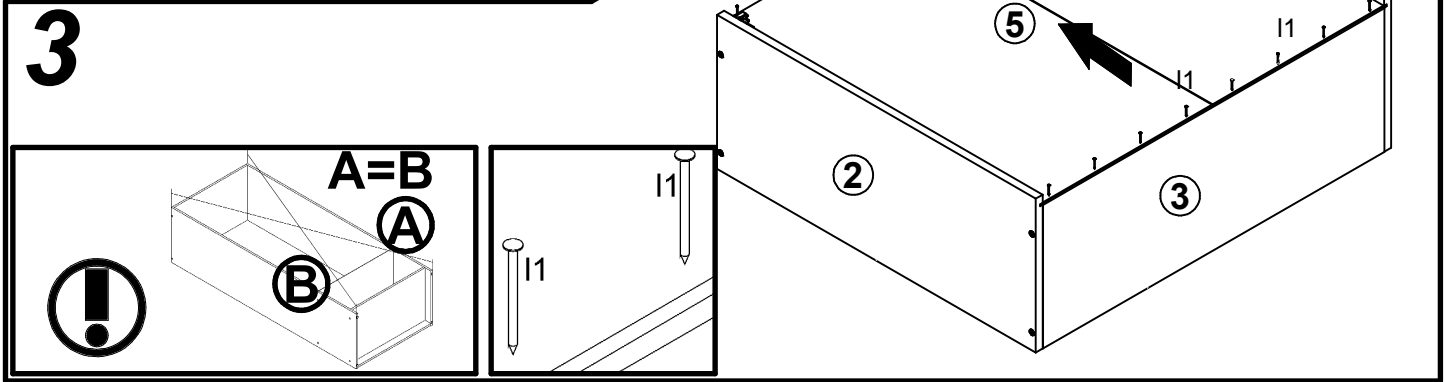
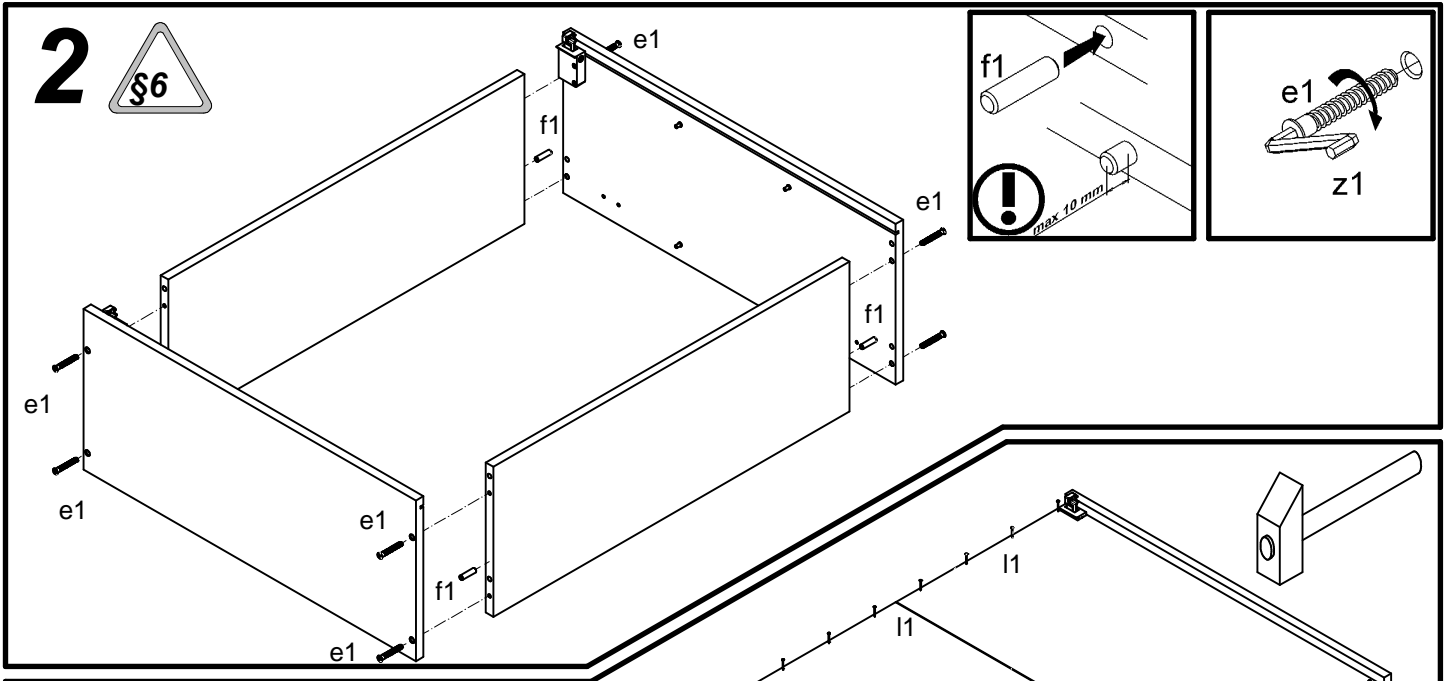




# SEMI LINE K30-G-80\_72-LV\_PV

| A | B        | C   | D   |     |
|---|----------|-----|-----|-----|
| 1 | K30-1001 | 716 | 300 | 1/2 |
| 2 | K30-1002 | 716 | 300 | 1/2 |
| 3 | K30-3005 | 767 | 280 | 1/2 |
| 4 | K30-3006 | 767 | 270 | 1/2 |
| 5 | K30-9003 | 711 | 777 | 1/2 |

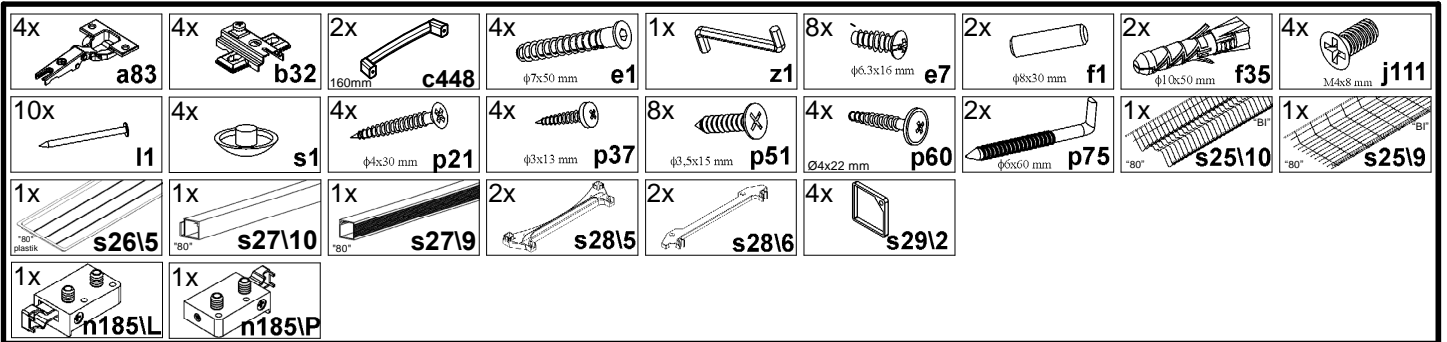
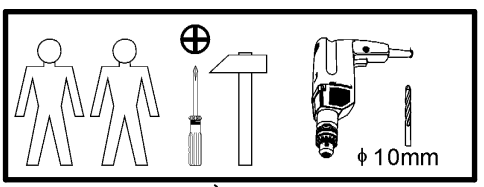
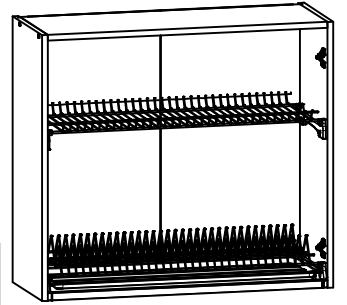
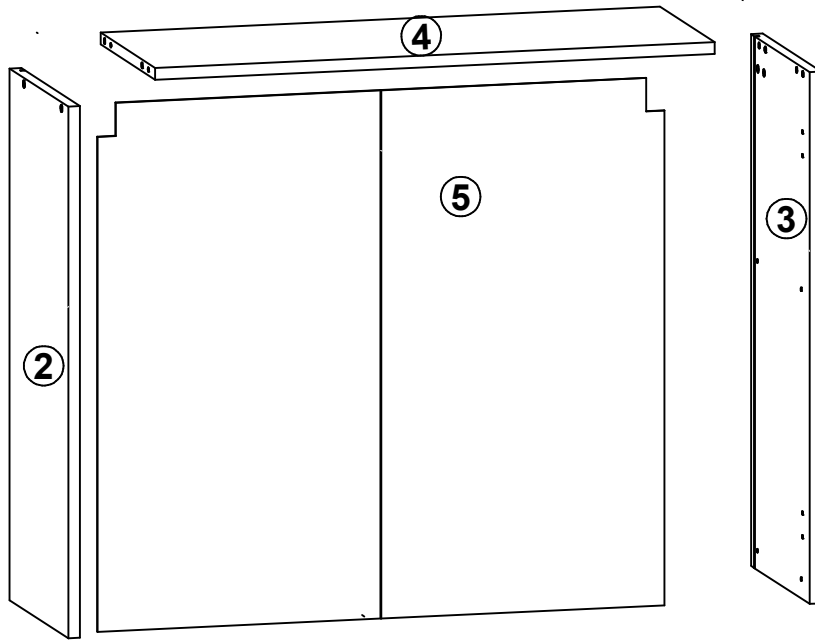




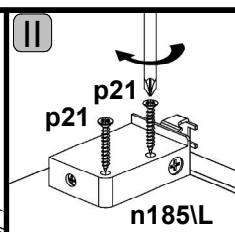
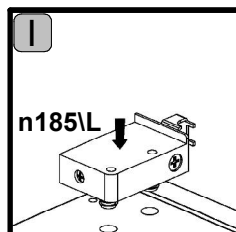
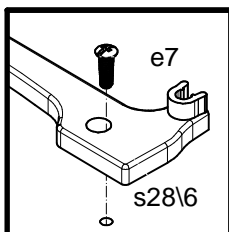
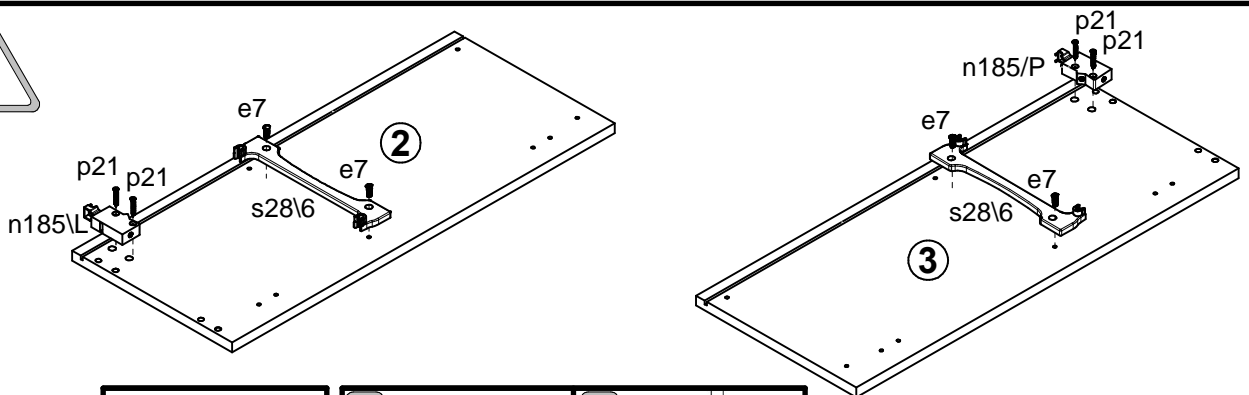
# SEMI LINE

# K30-GC-80\_72

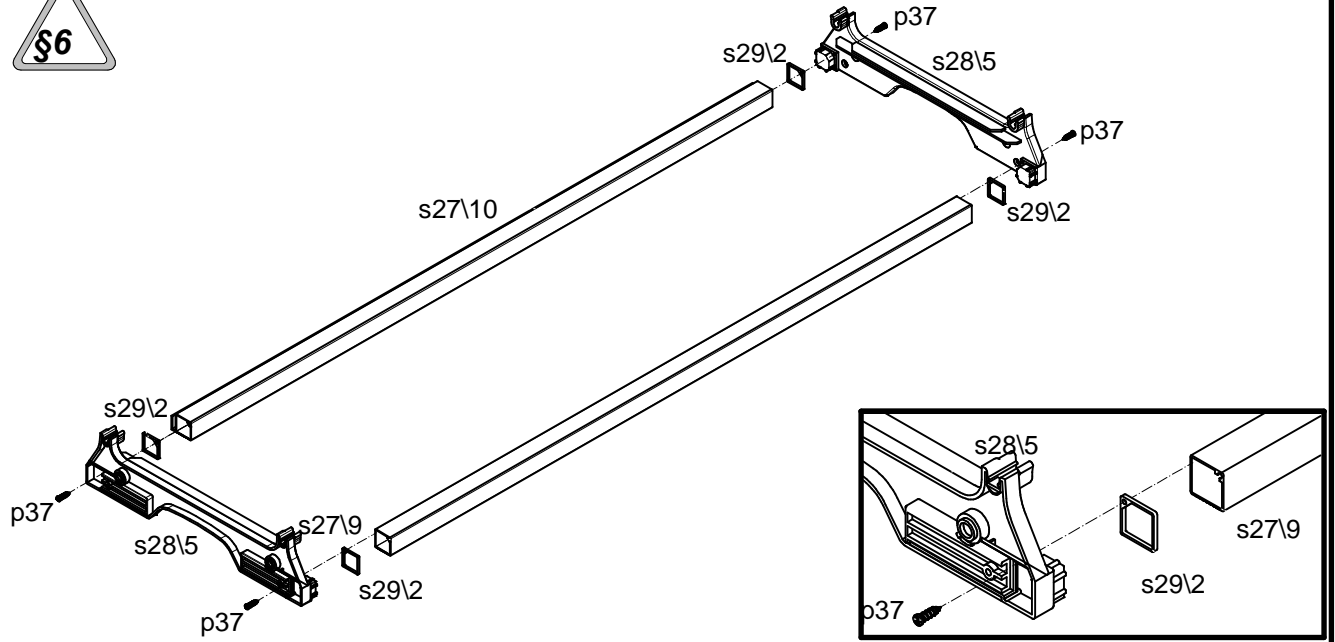
| A | B        | C   | D   |     |
|---|----------|-----|-----|-----|
| 2 | K30-1003 | 716 | 300 | 1/3 |
| 3 | K30-1004 | 716 | 300 | 1/3 |
| 4 | K30-3005 | 767 | 280 | 1/3 |
| 5 | K30-9003 | 711 | 777 | 1/3 |



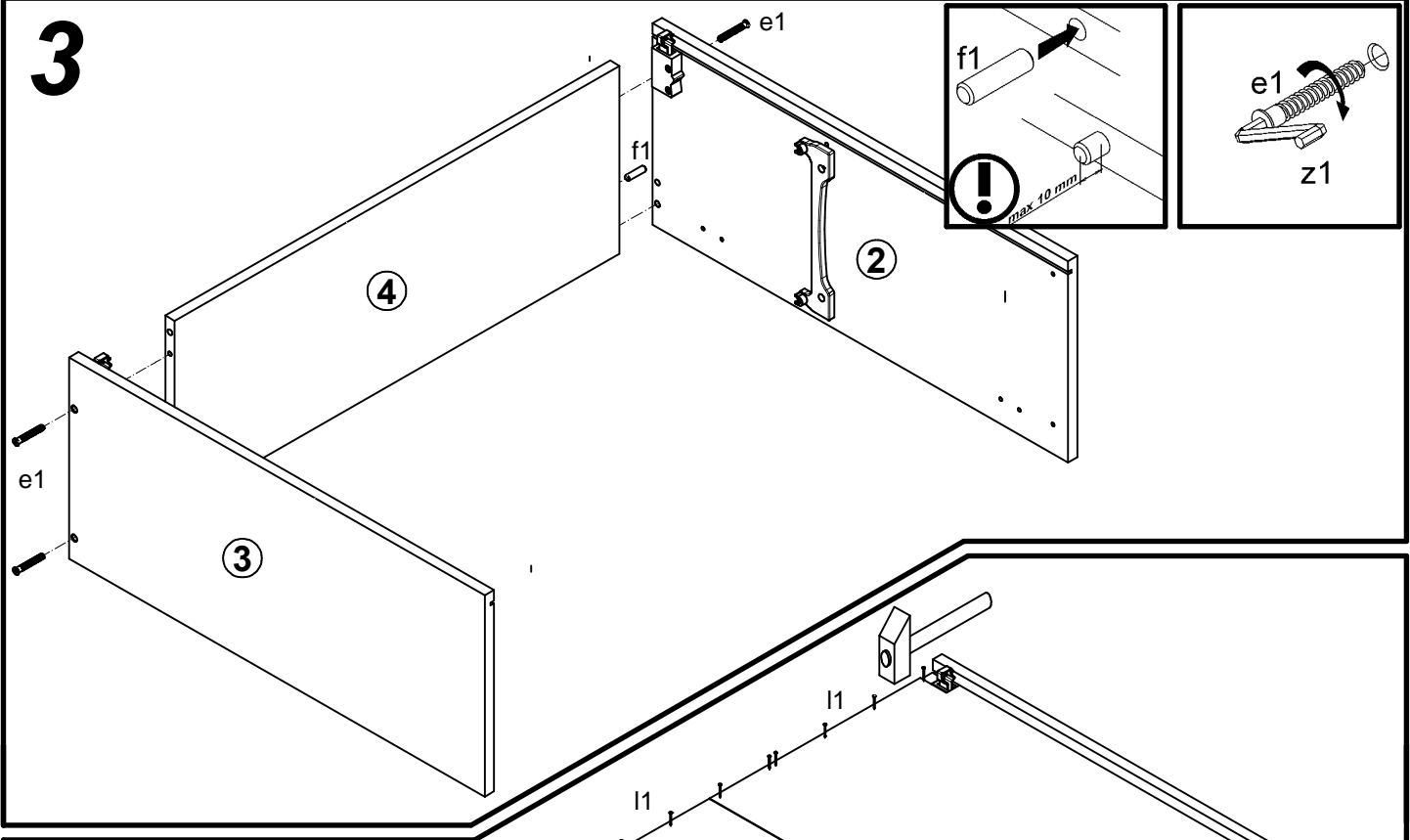
## 1



# 2



# 3



# 4

