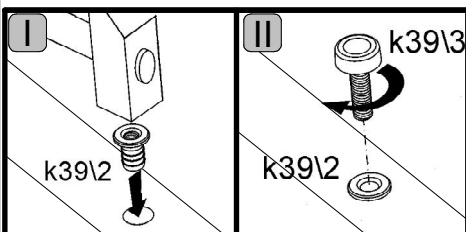
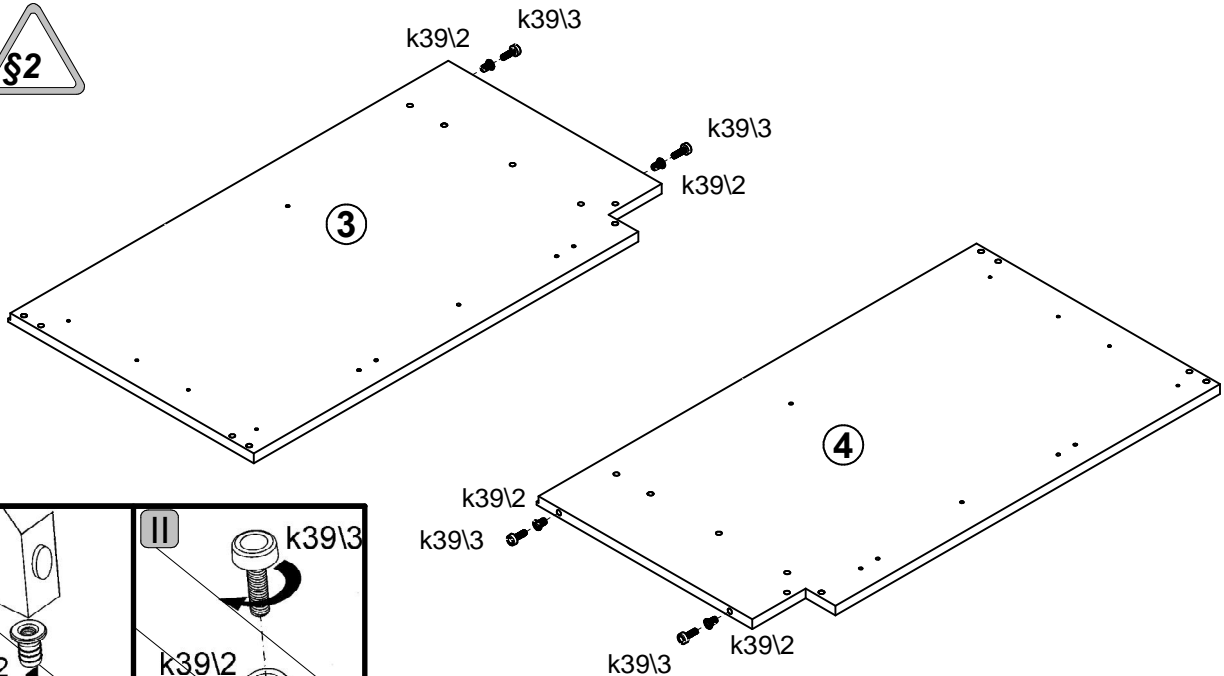
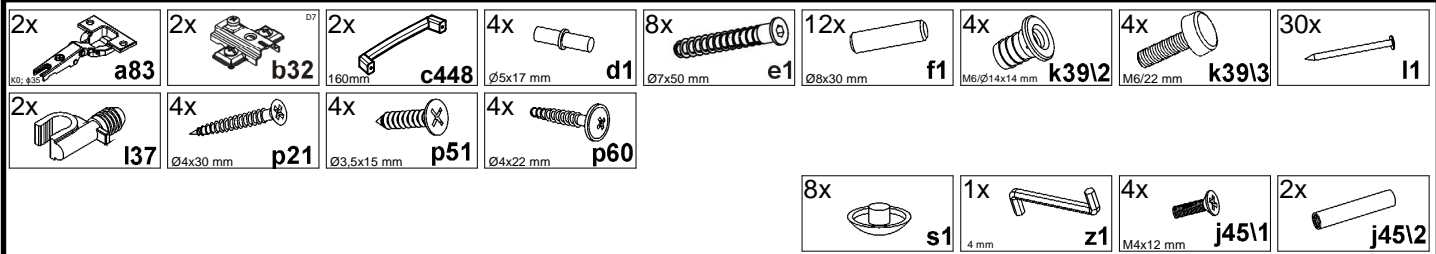
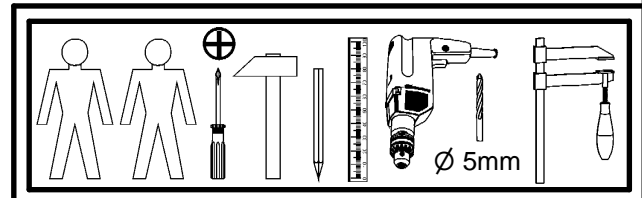
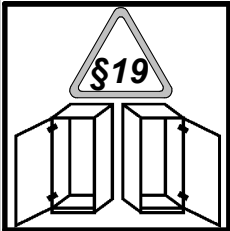
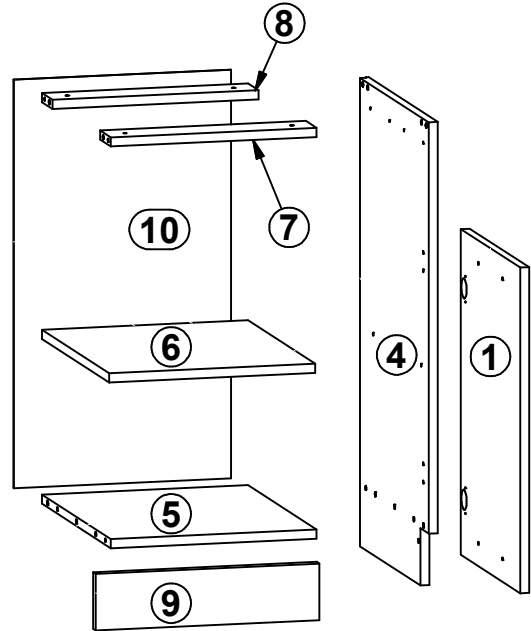
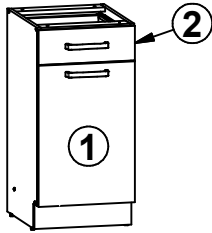
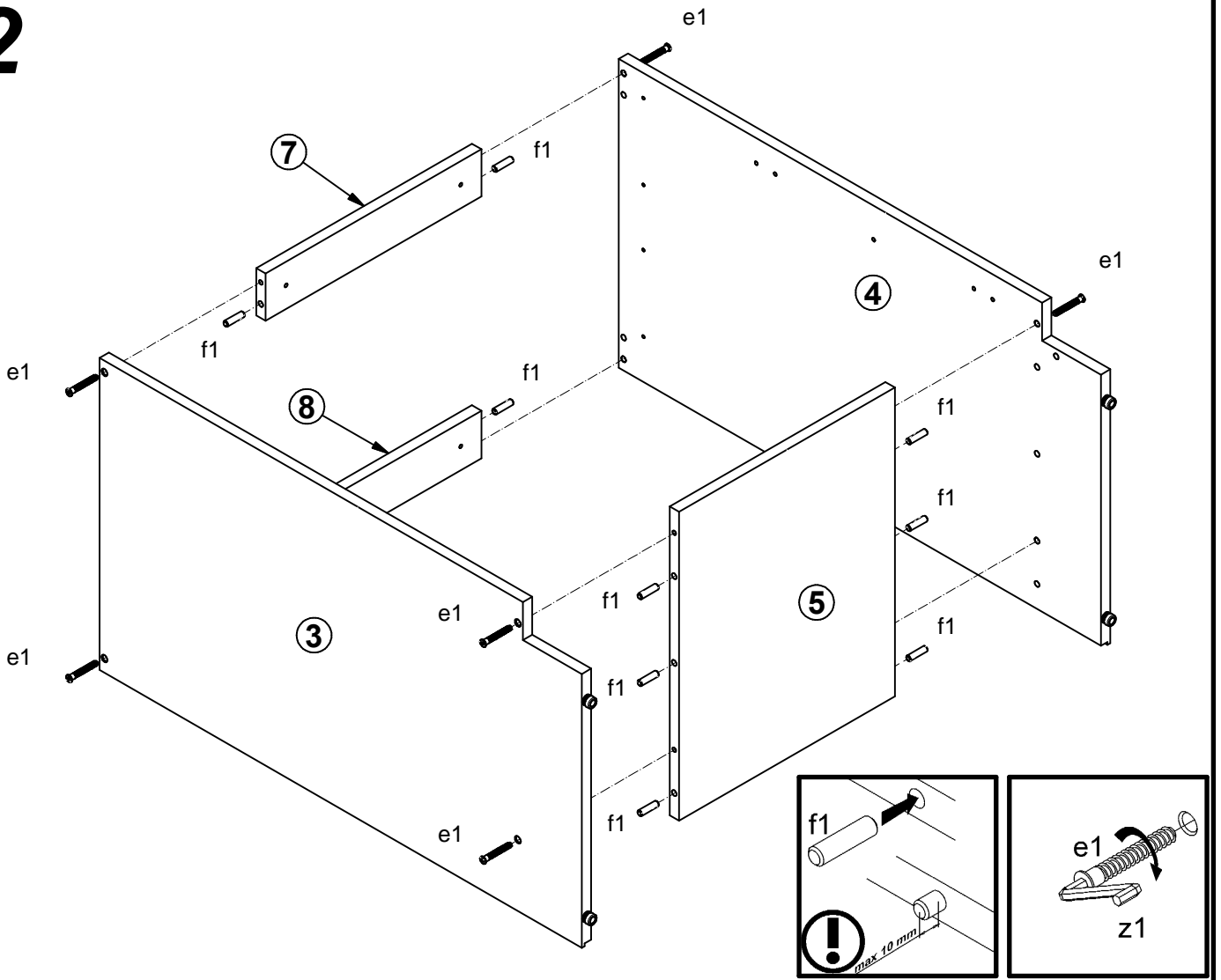


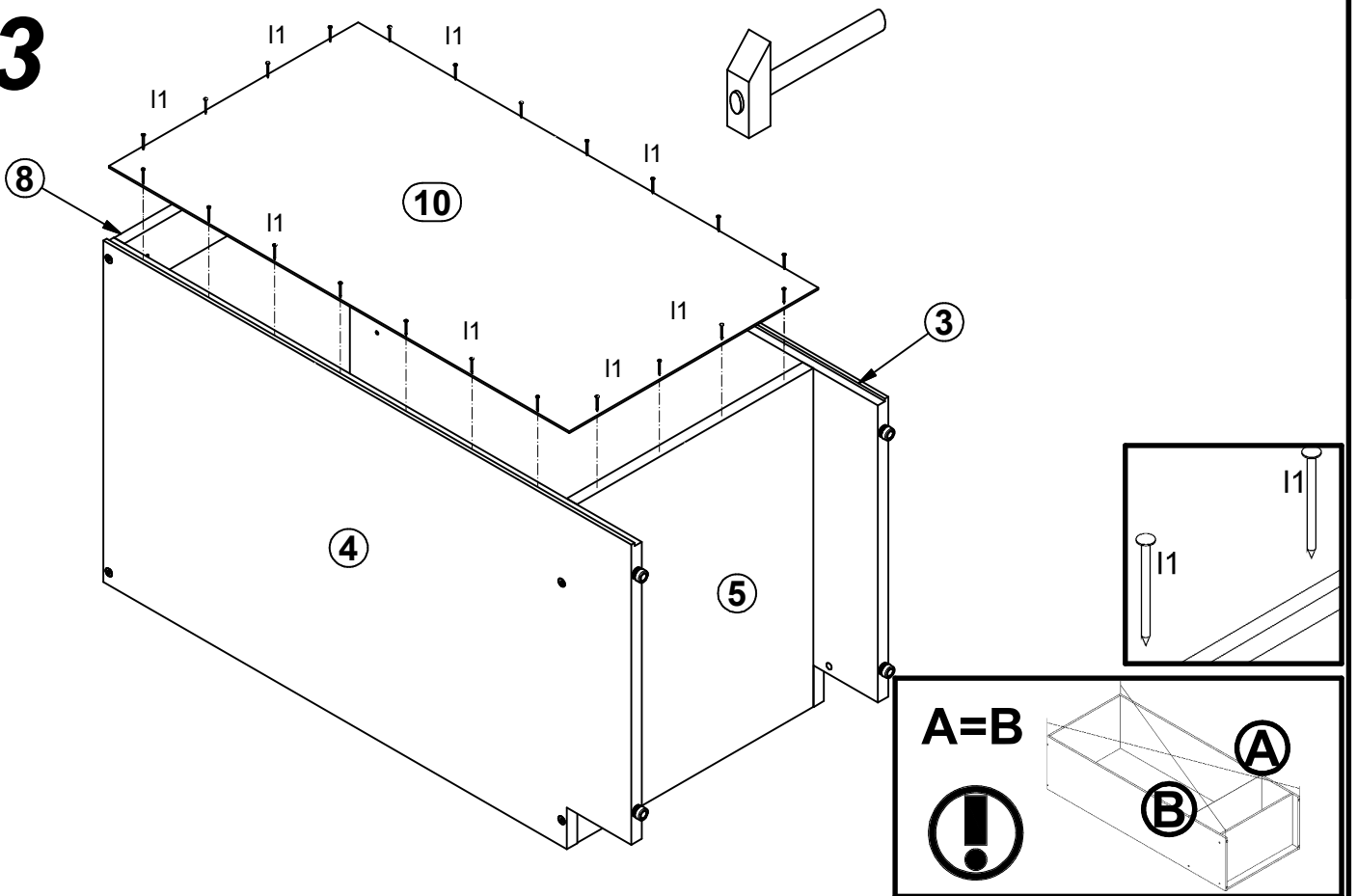
A	B	C	D	
1	K30-0002	396	570	4/5
2	K30-0003	396	140	5/5
3	K30-1007	820	460	1/5
4	K30-1008	820	460	1/5
5	K30-3015	367	456	1/5
6	K30-3016	367	446	1/5
7	K30-4005	367	70	1/5
8	K30-4006	367	70	1/5
9	K30-4007	399	99	1/5
10	K30-9007	715	387	1/5



2

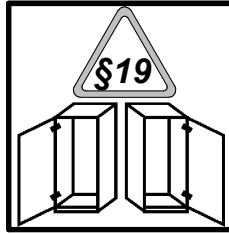


3

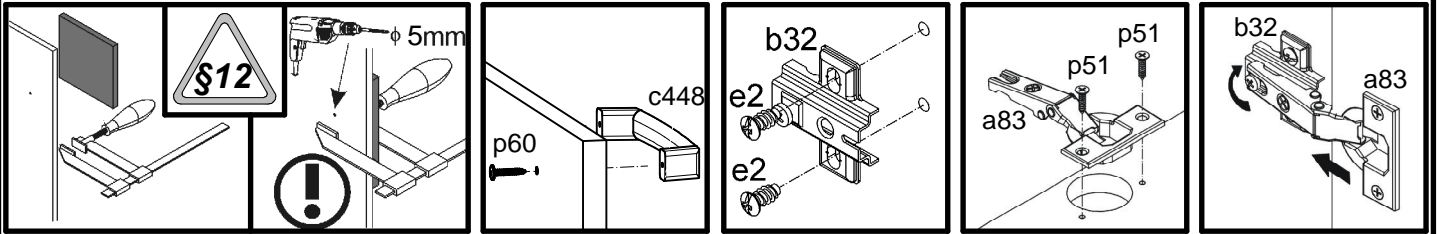
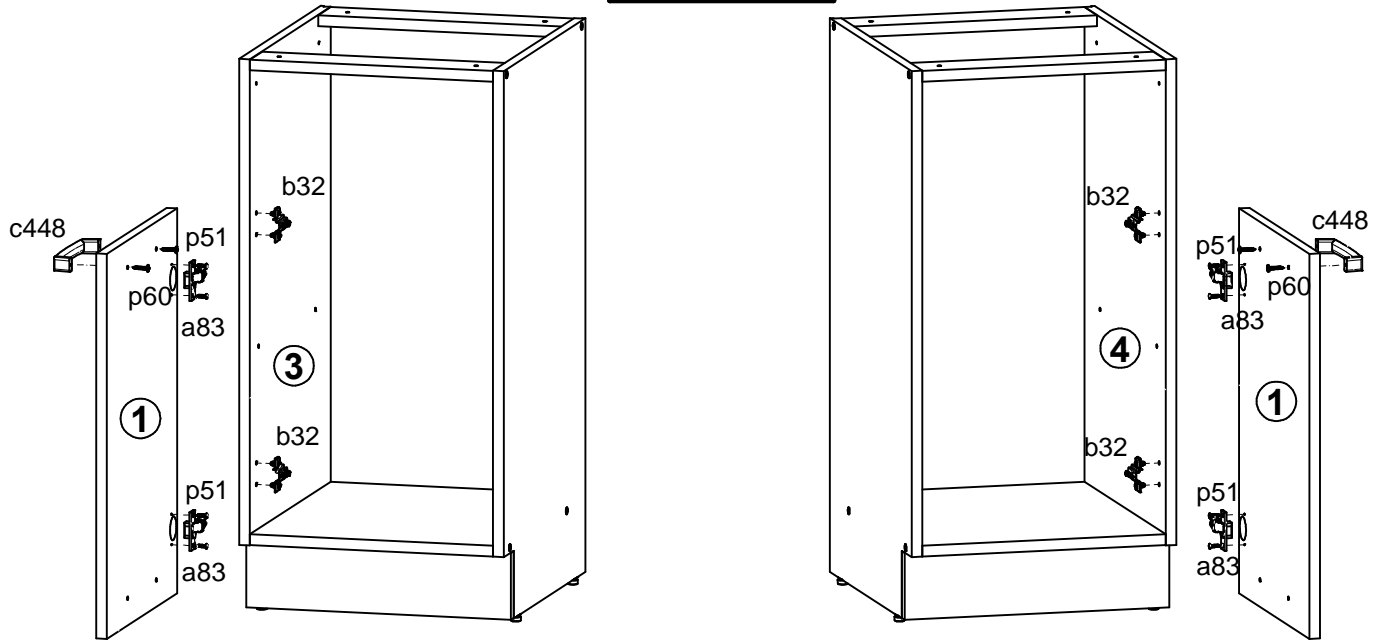


4

L

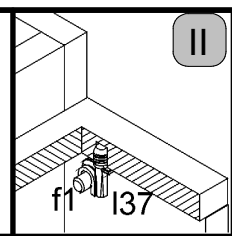
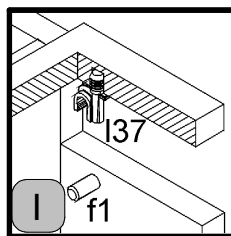
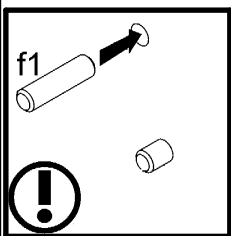
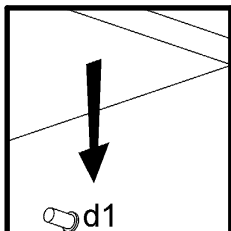
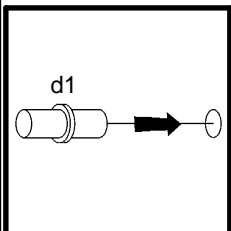
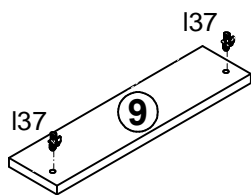
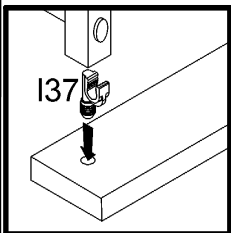
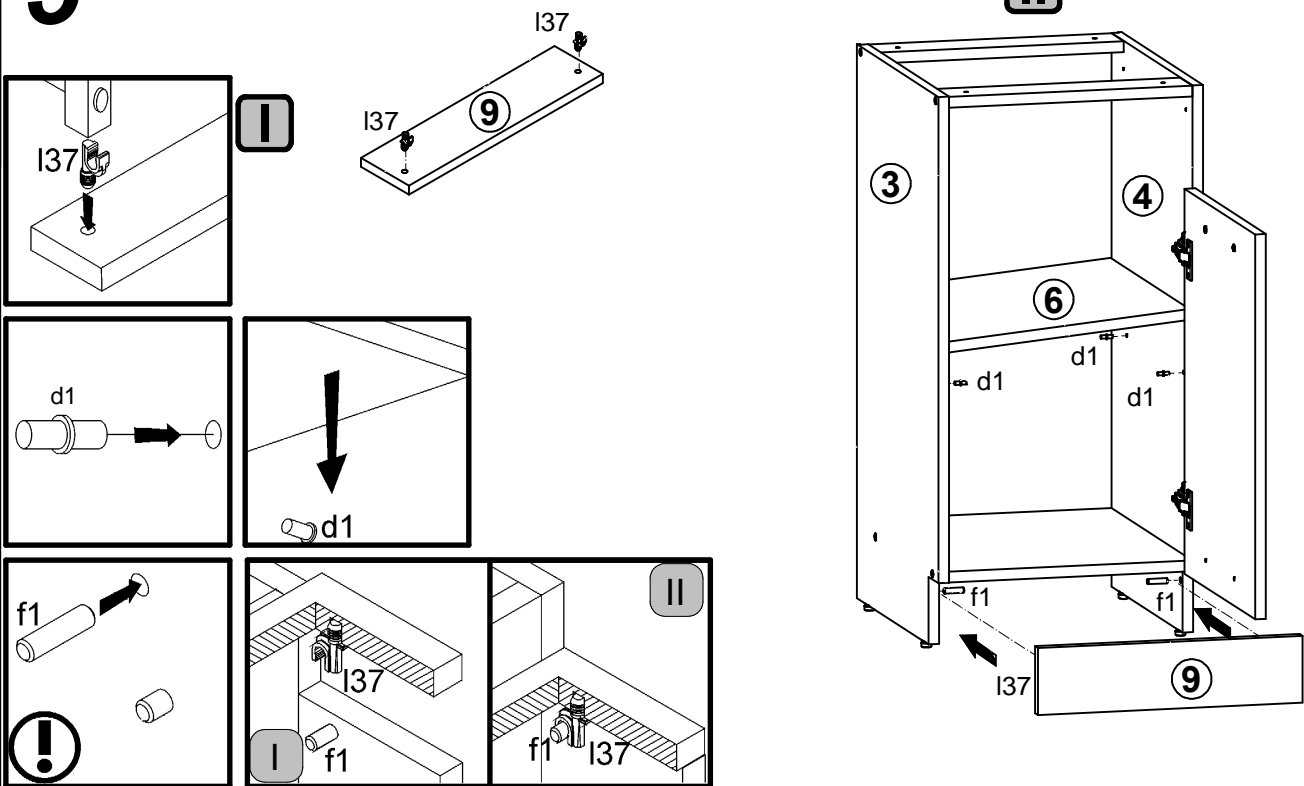


R



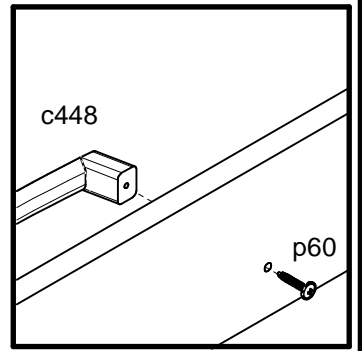
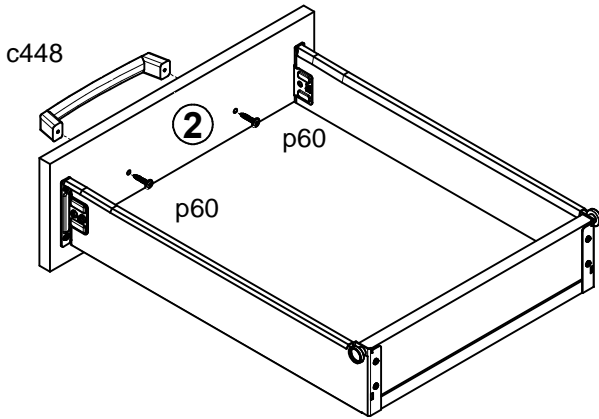
5

II

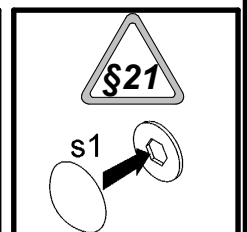
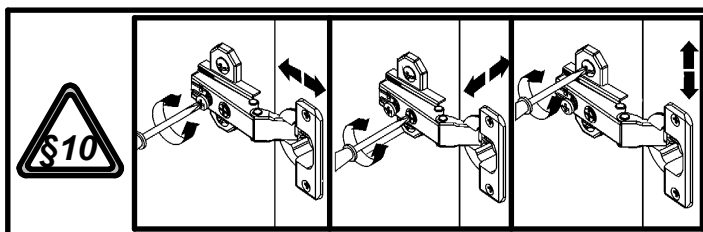
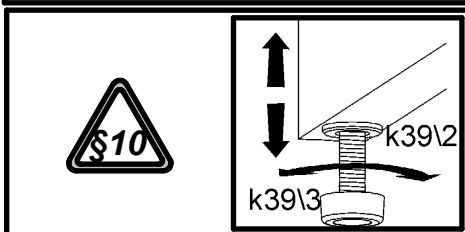
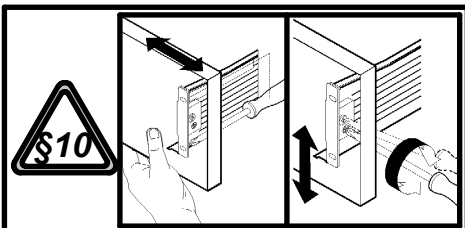
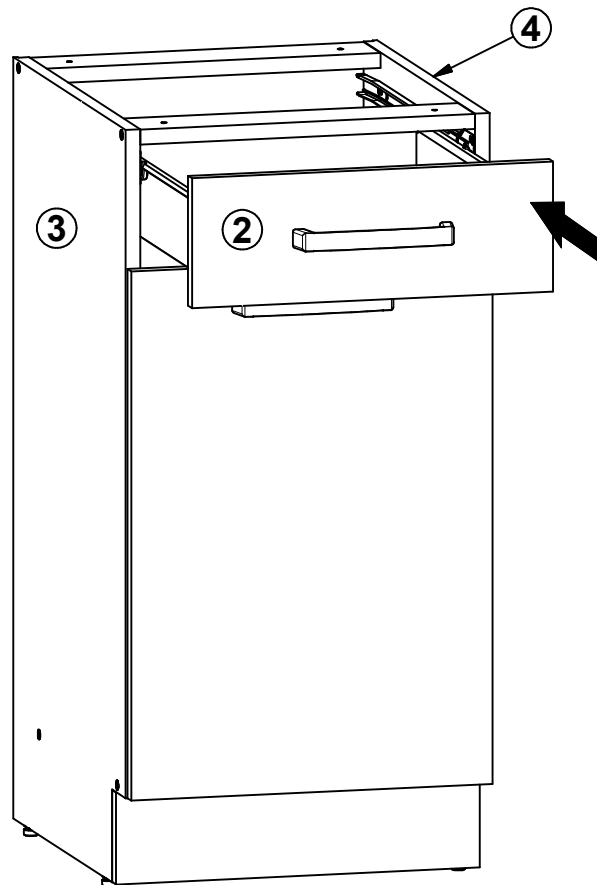


6

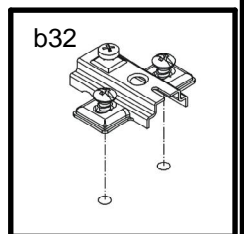
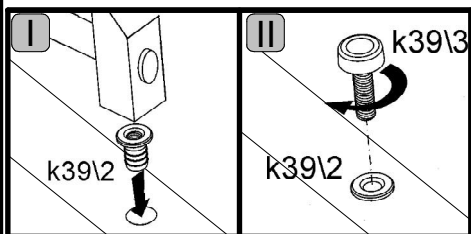
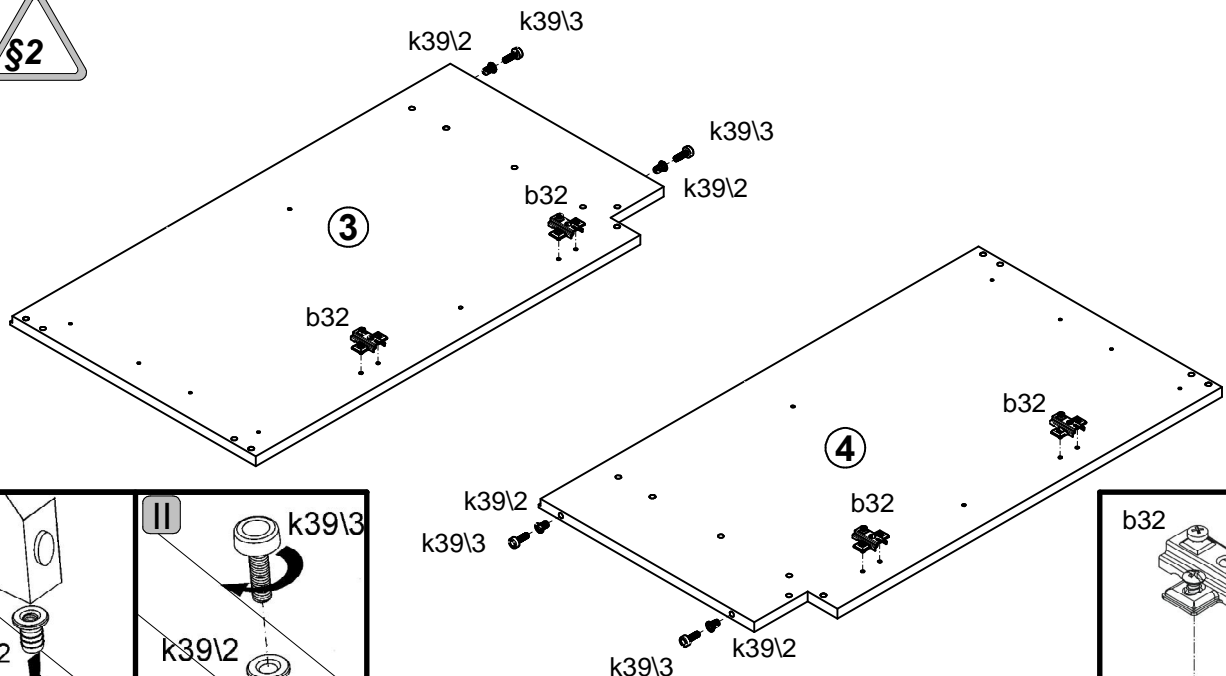
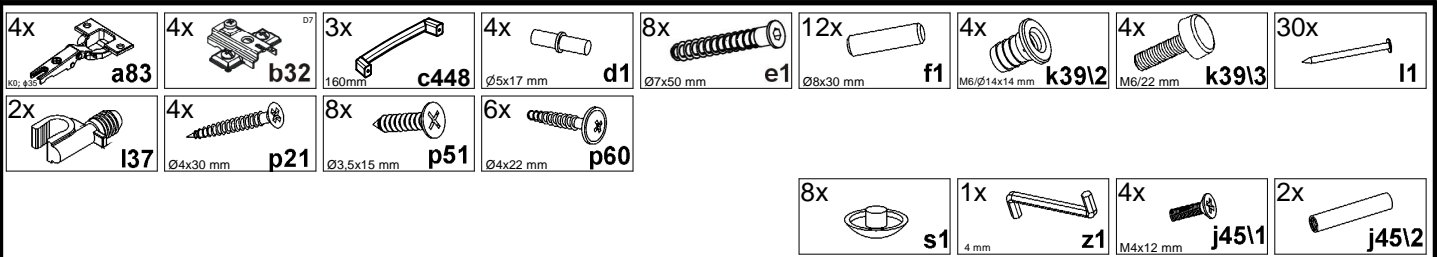
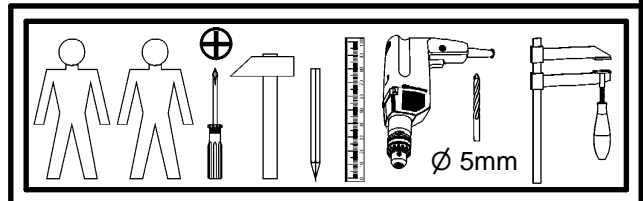
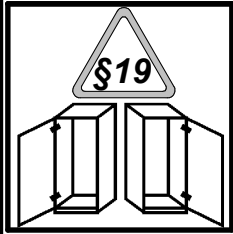
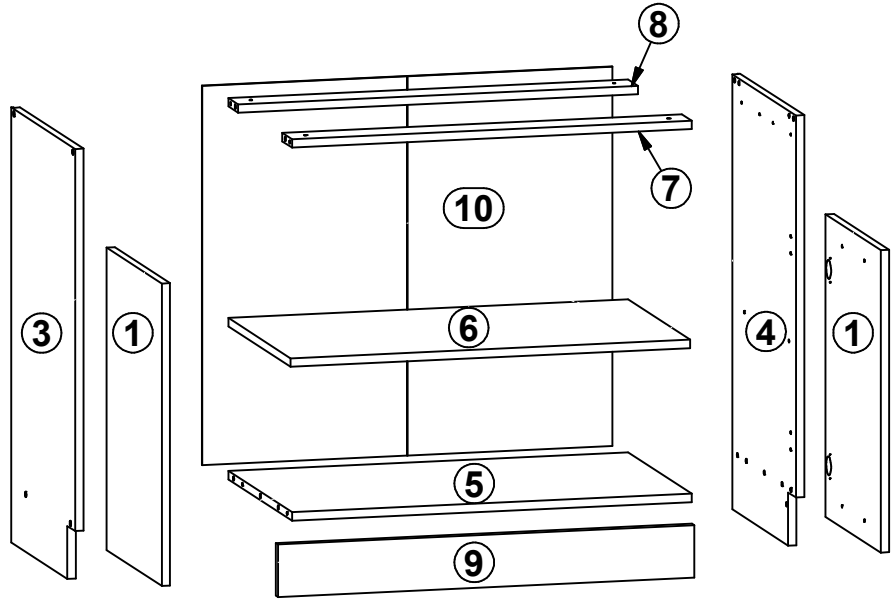
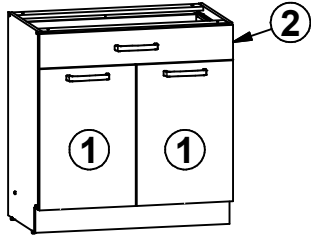
I



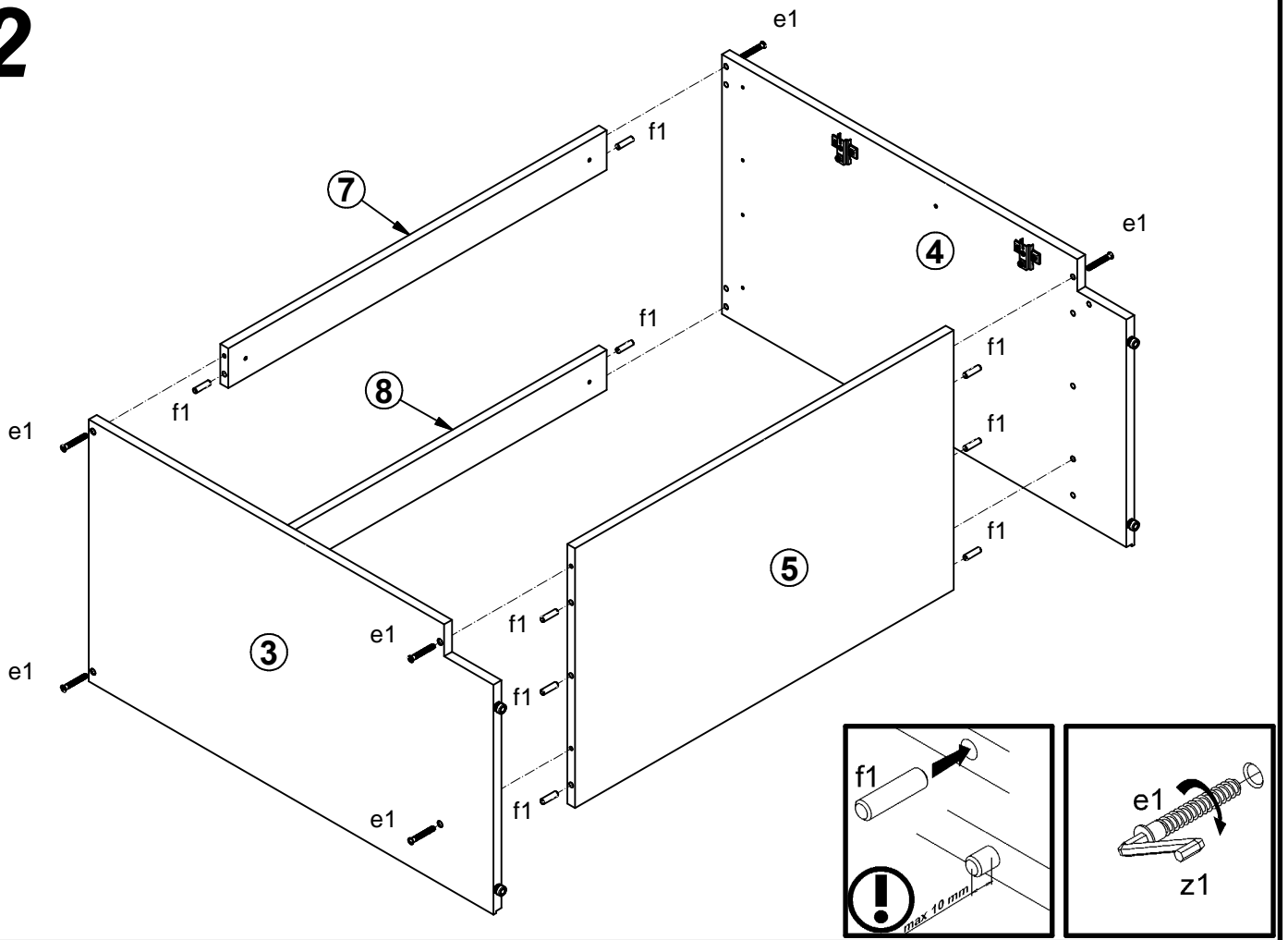
III



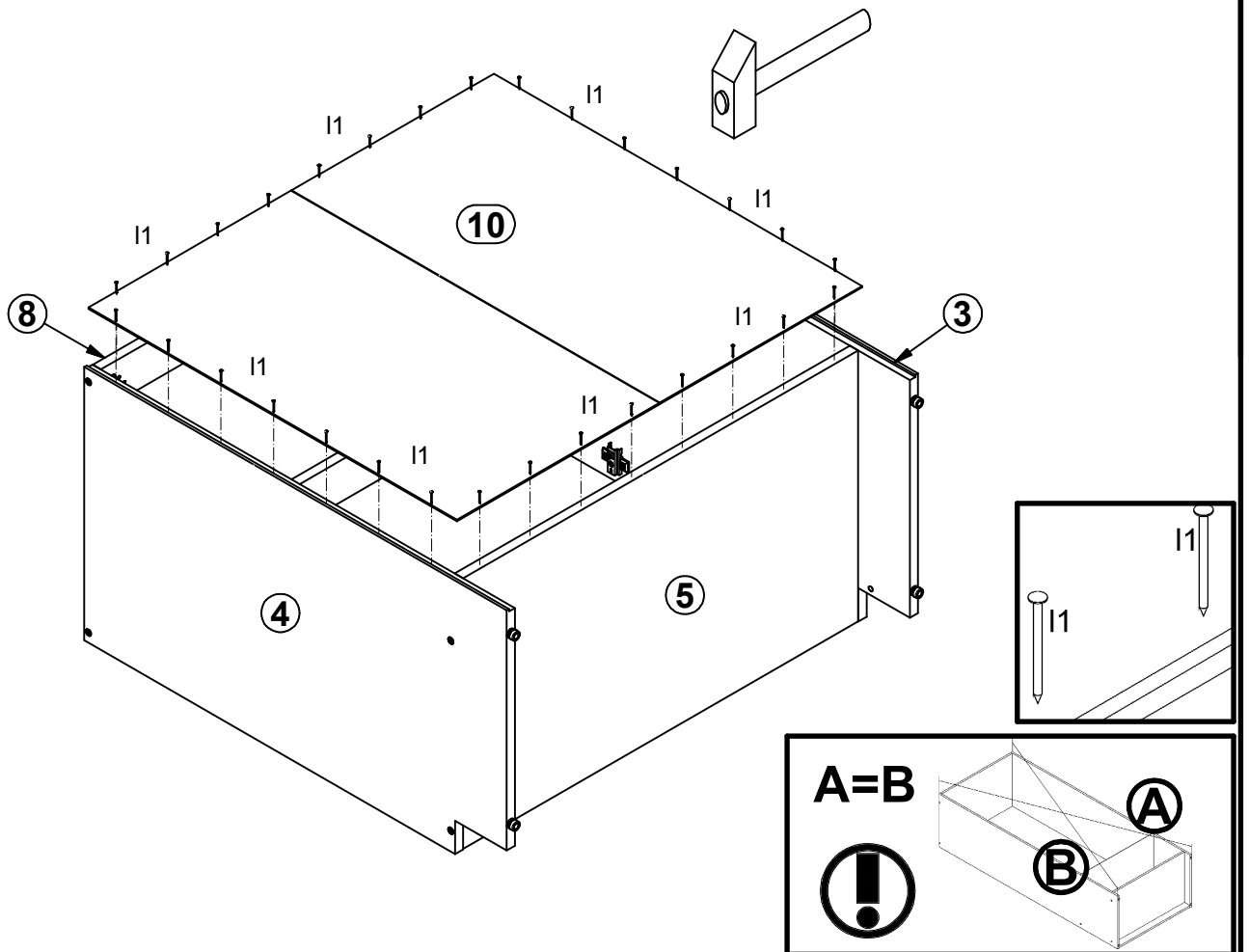
A	B	C	D	
1	K30-0002	396	570	4/5
2	K30-0018	796	140	5/5
3	K30-1007	820	460	1/5
4	K30-1008	820	460	1/5
5	K30-3019	767	456	1/5
6	K30-3020	767	446	1/5
7	K30-4008	767	70	1/5
8	K30-4009	767	70	1/5
9	K30-4010	799	99	1/5
10	K30-9008	715	787	1/5



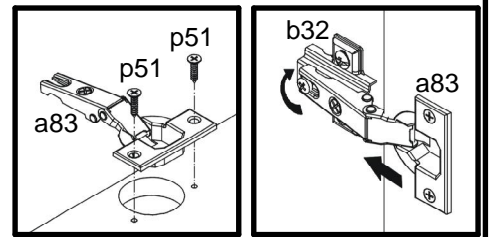
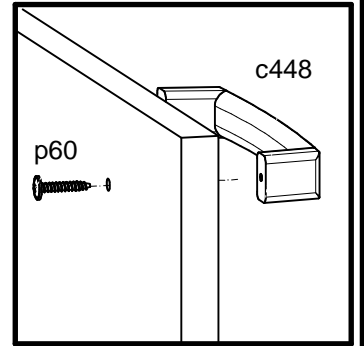
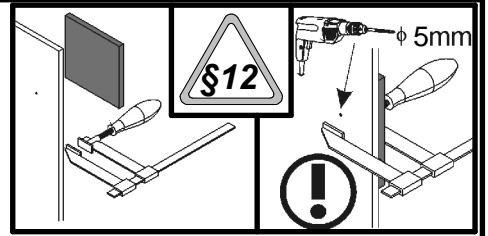
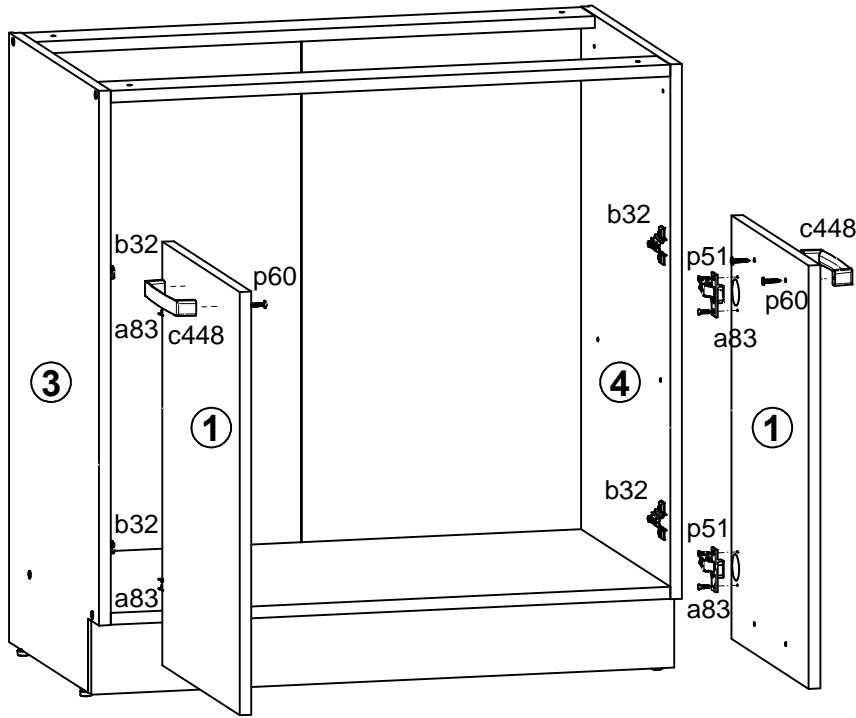
2



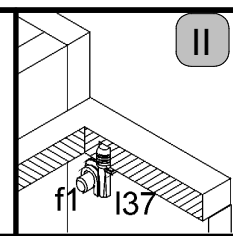
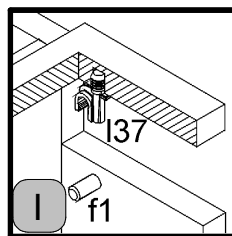
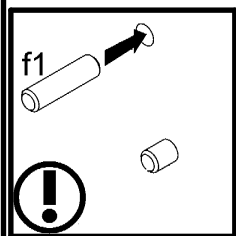
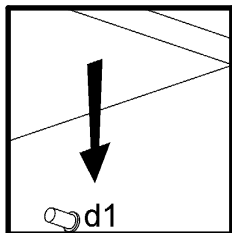
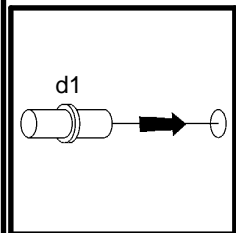
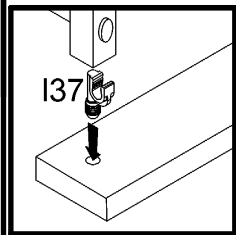
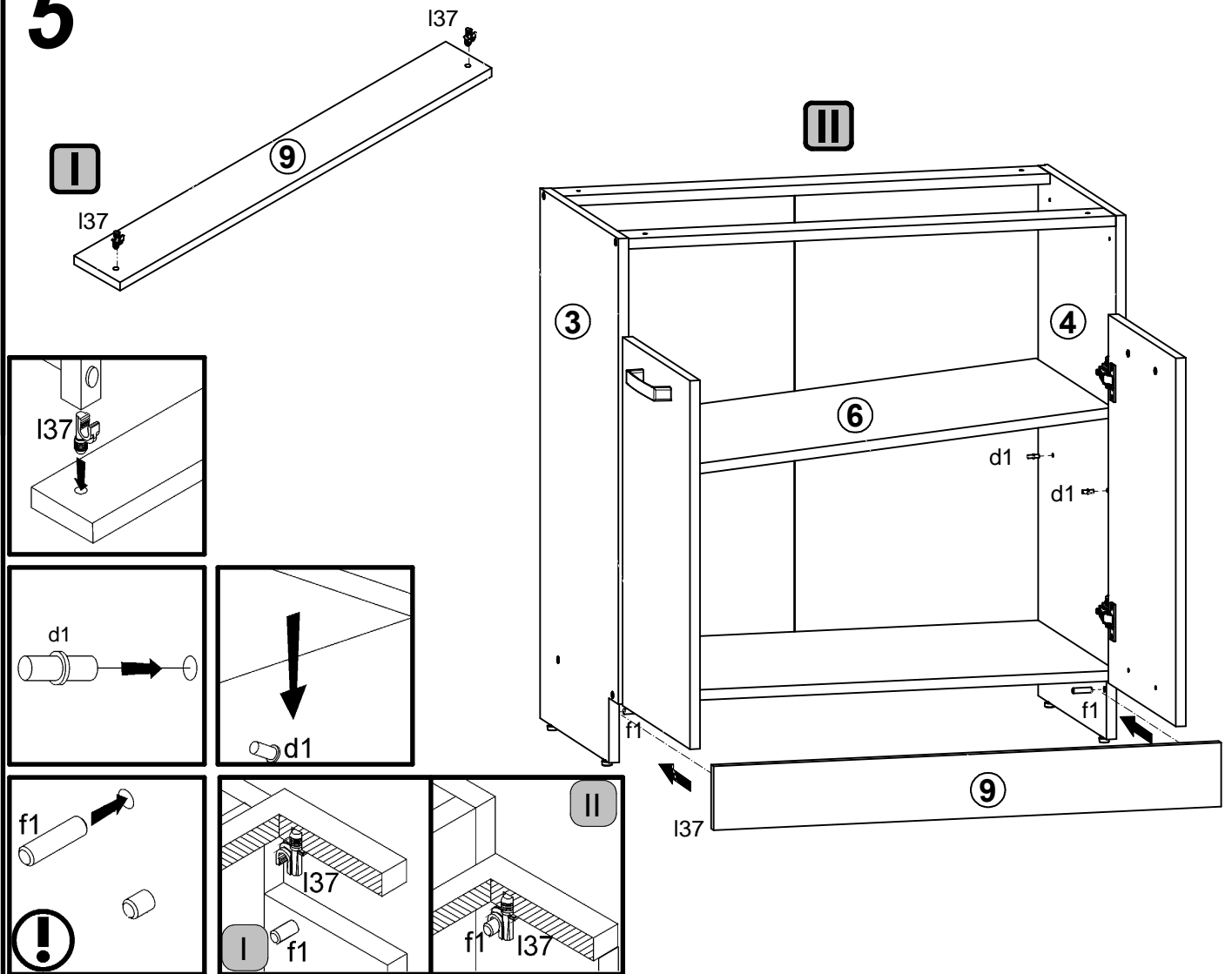
3



4

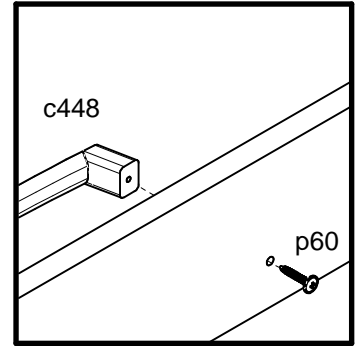
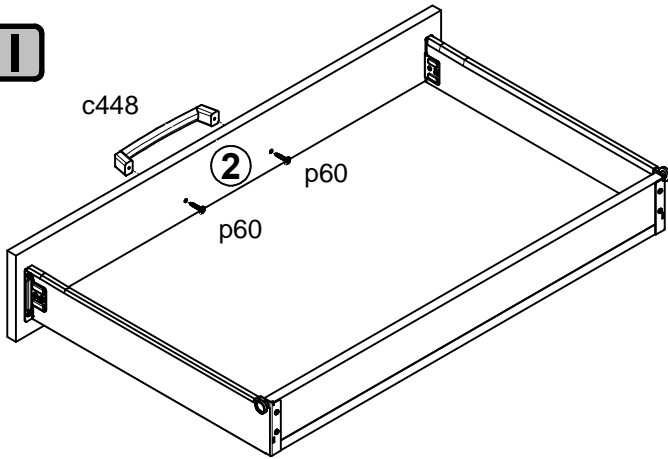


5

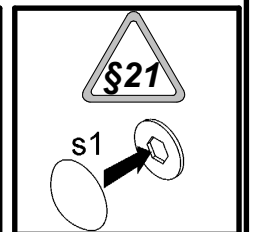
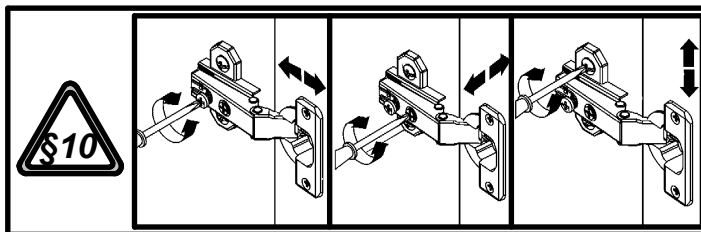
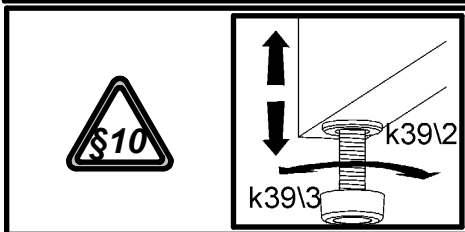
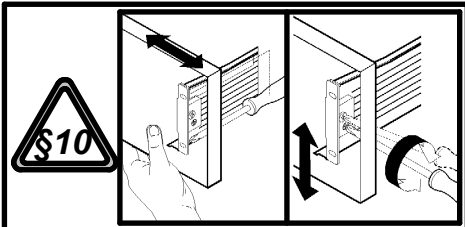
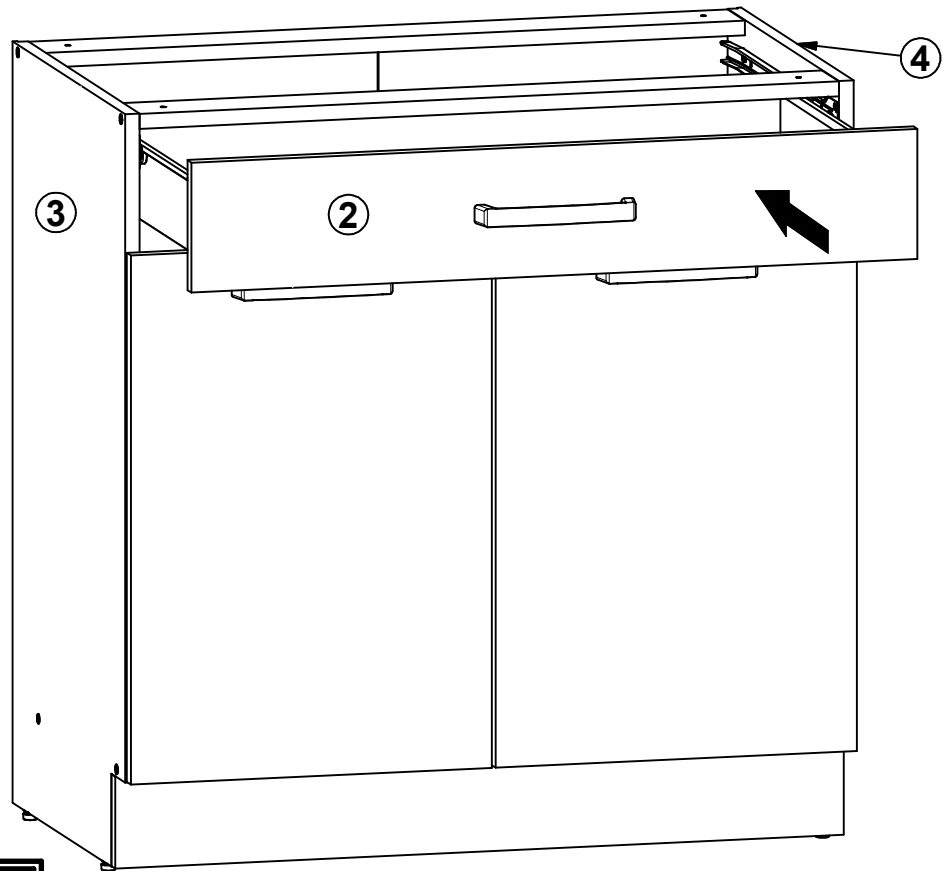


6

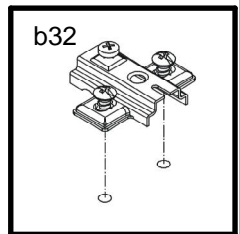
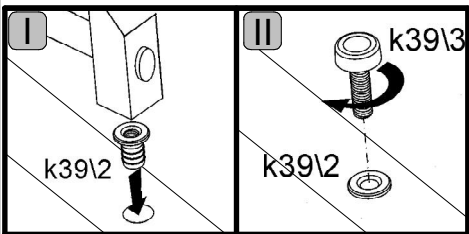
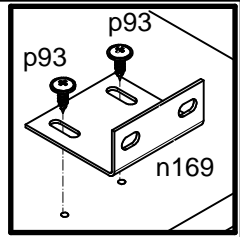
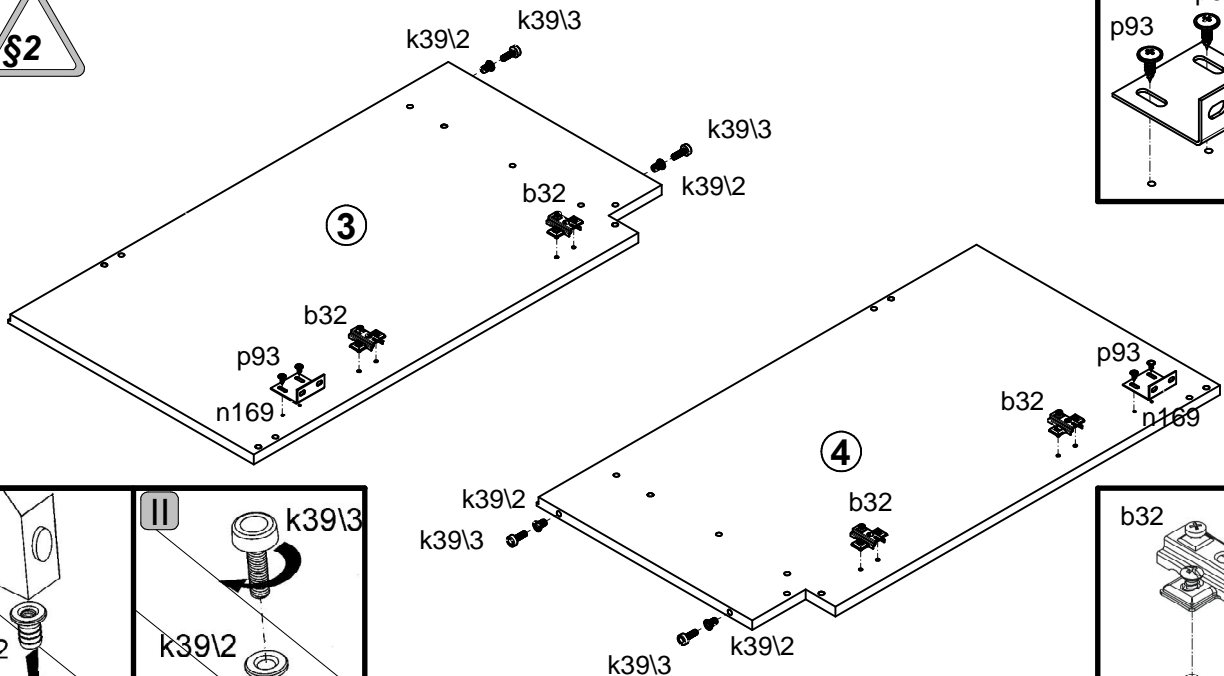
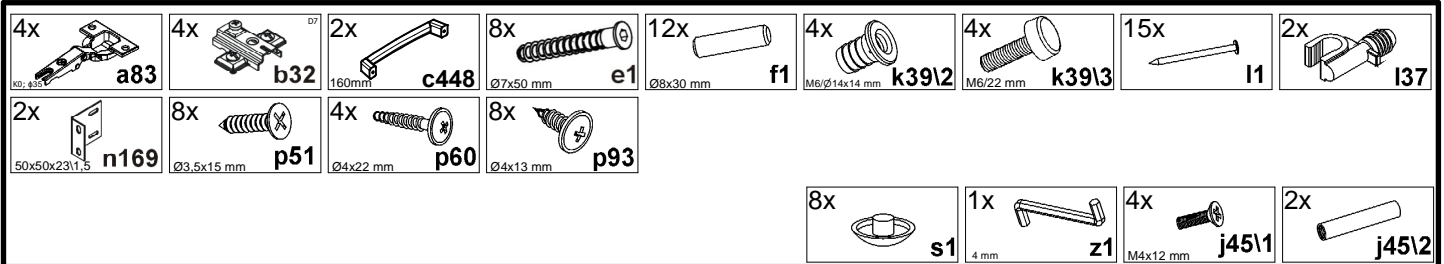
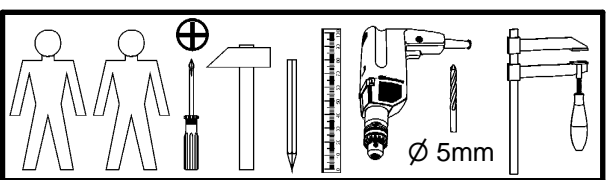
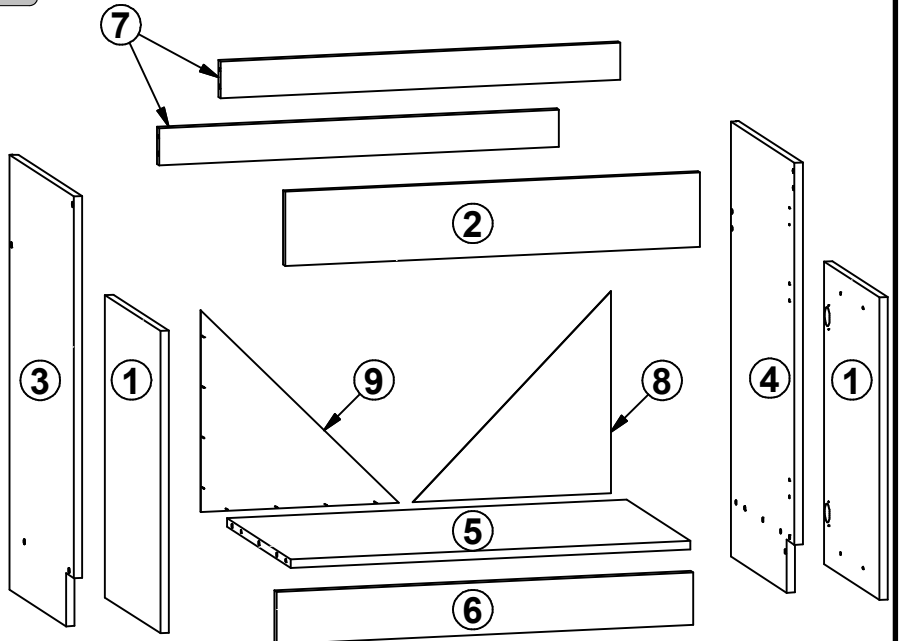
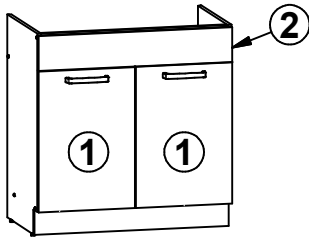
I



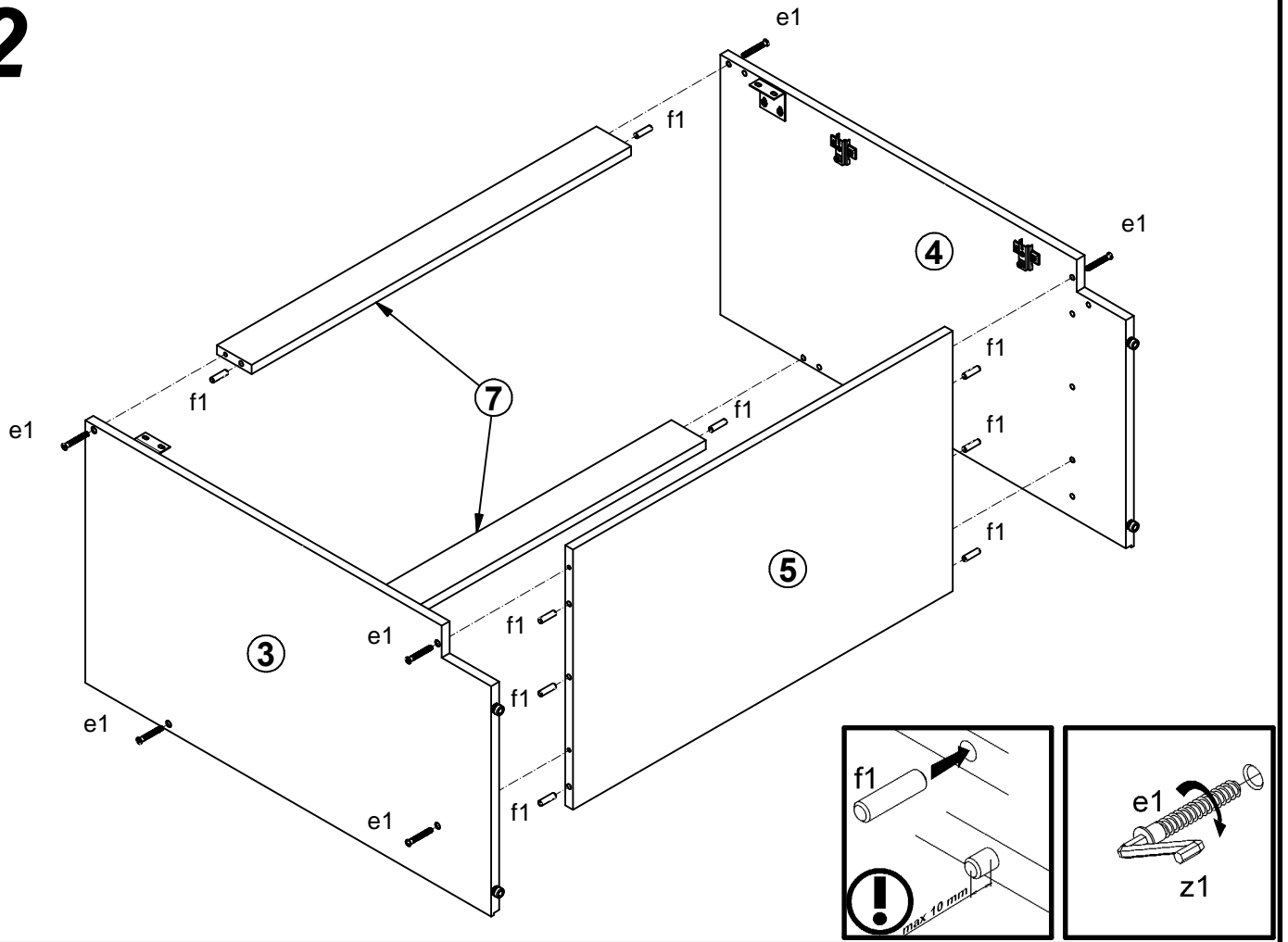
II



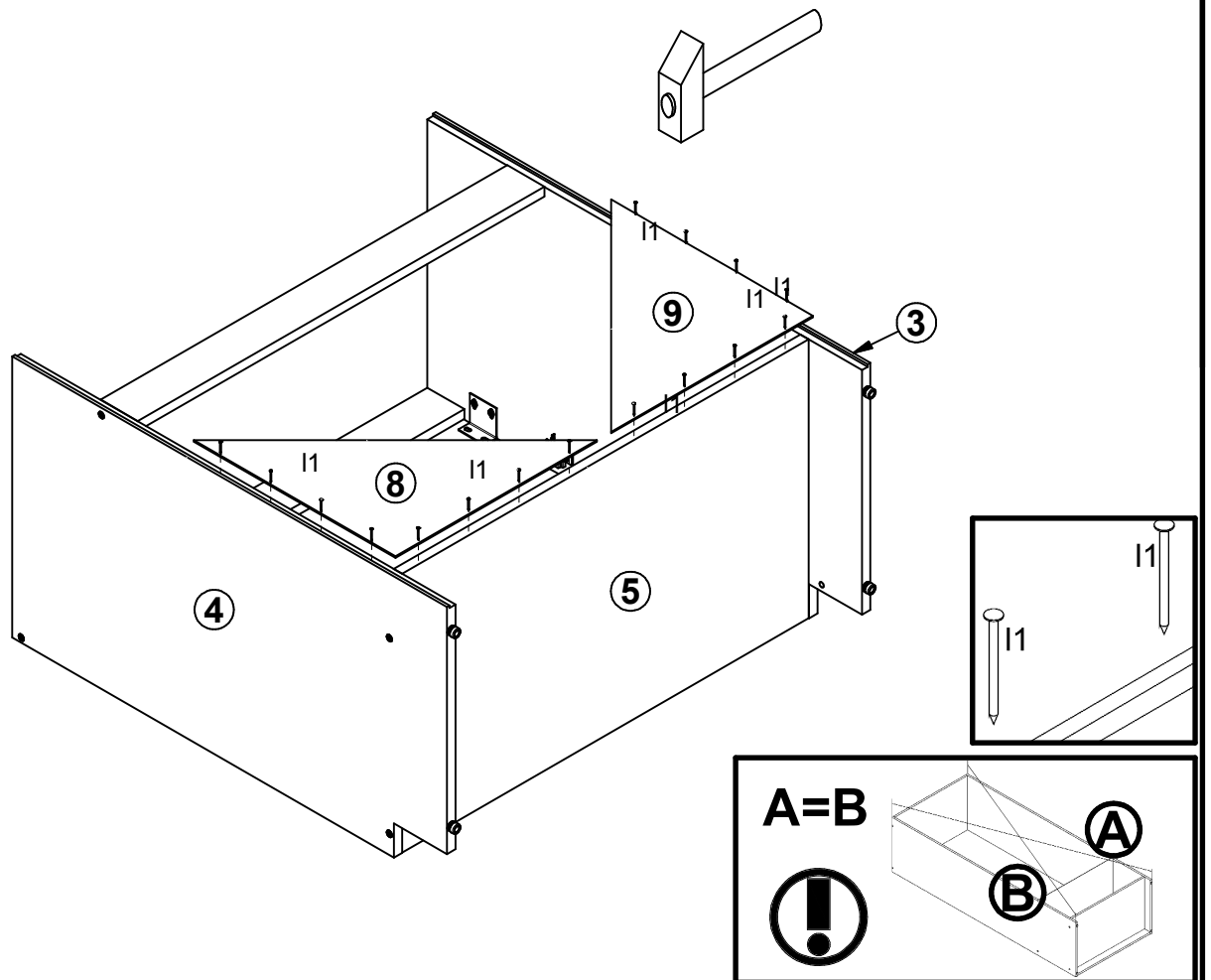
A	B	C	D	
1	K30-0002	396	570	2/3
2	K30-0005	796	140	3/3
3	K30-1011	820	460	1/3
4	K30-1012	820	460	1/3
5	K30-3019	767	456	1/3
6	K30-4010	799	99	1/3
7	K30-4012	767	70	1/3
8	K30-9010	380	380	1/3
9	K30-9017	380	380	1/3



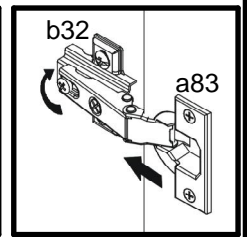
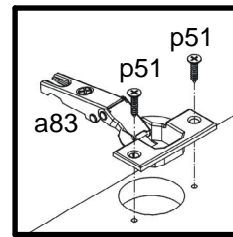
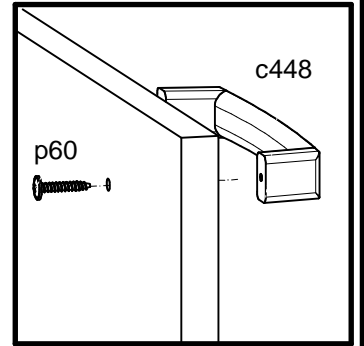
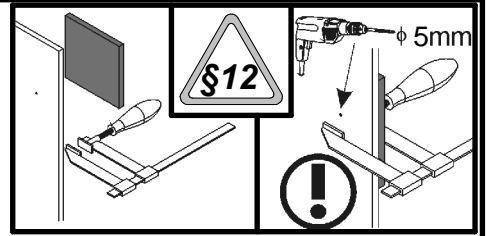
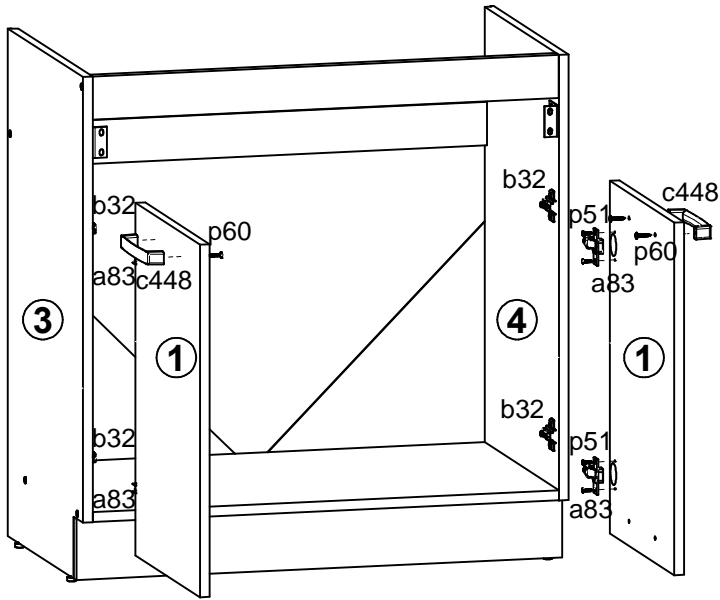
2



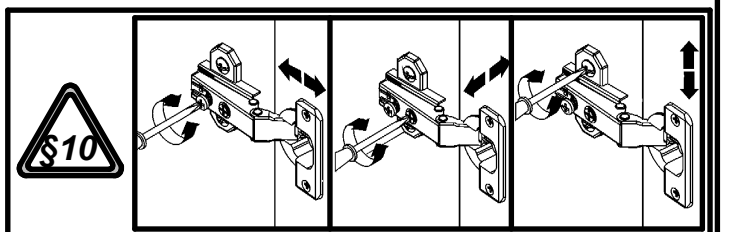
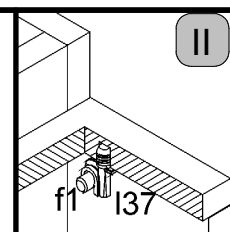
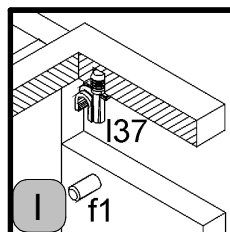
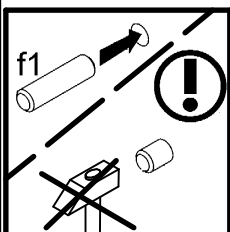
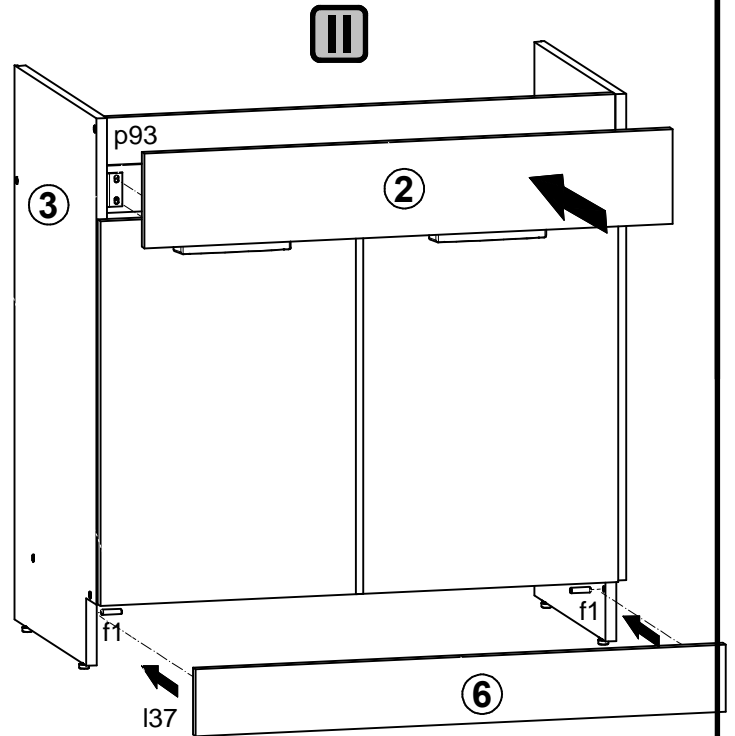
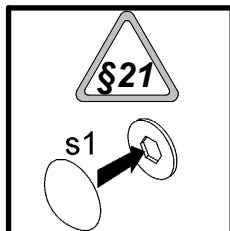
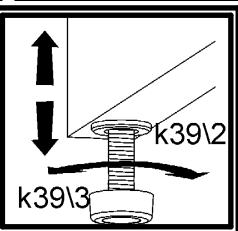
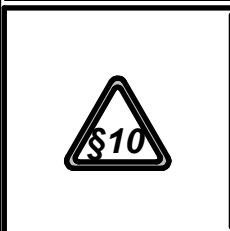
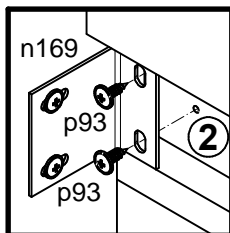
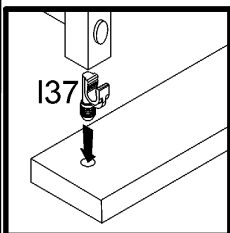
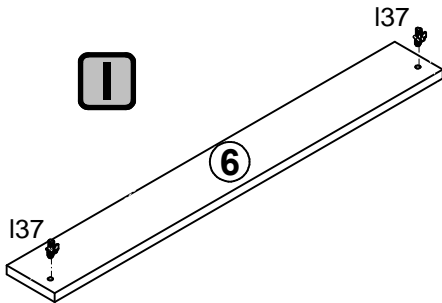
3



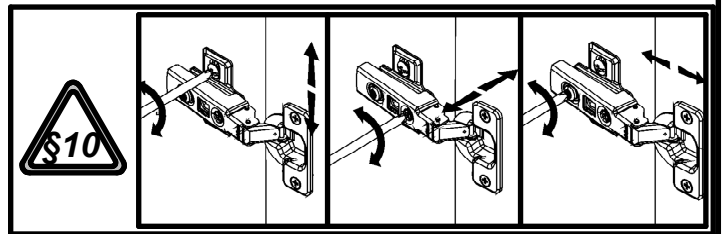
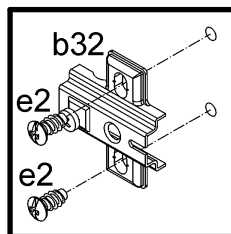
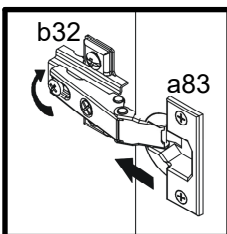
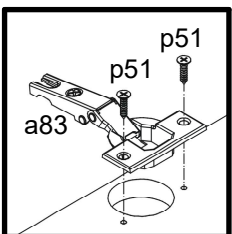
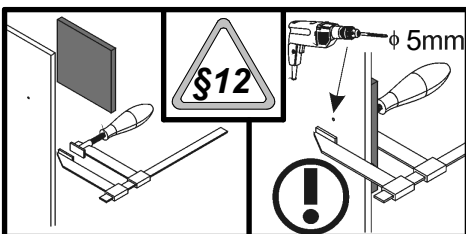
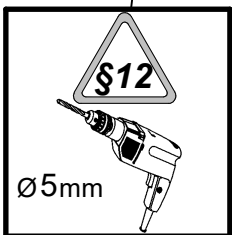
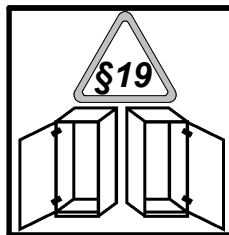
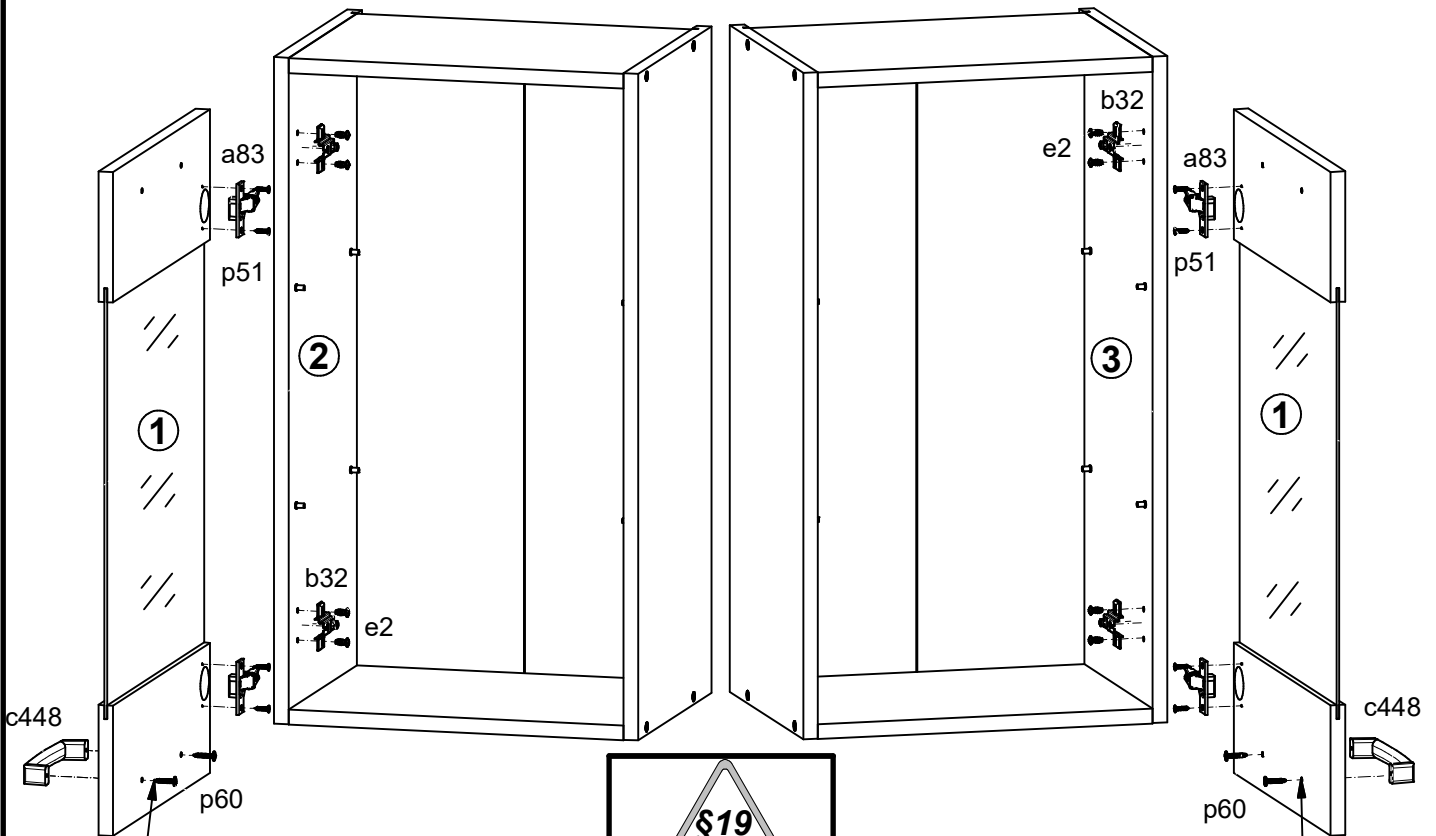
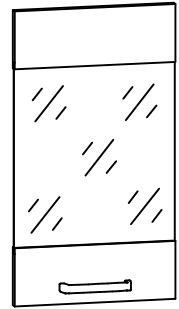
4



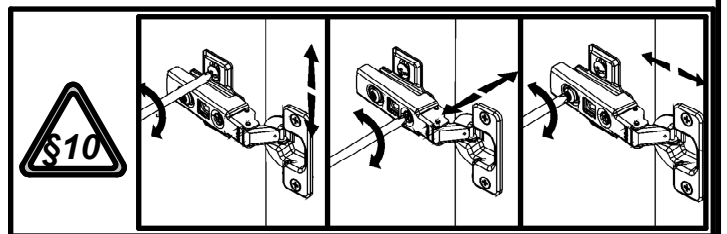
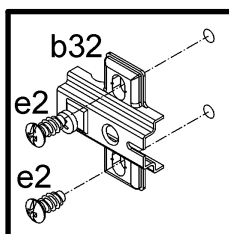
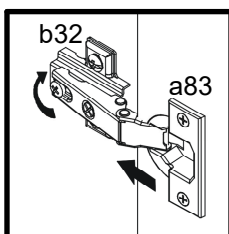
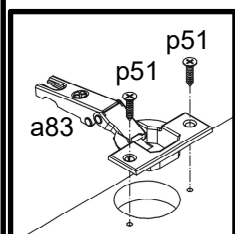
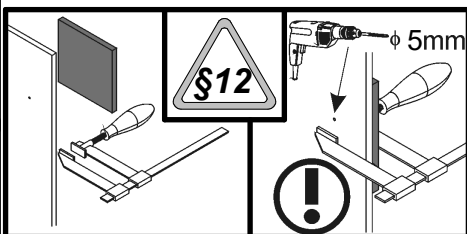
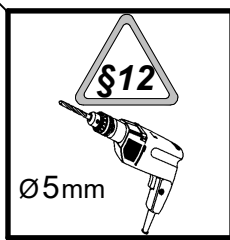
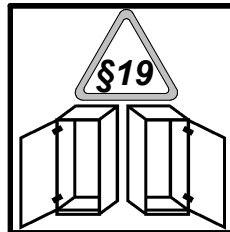
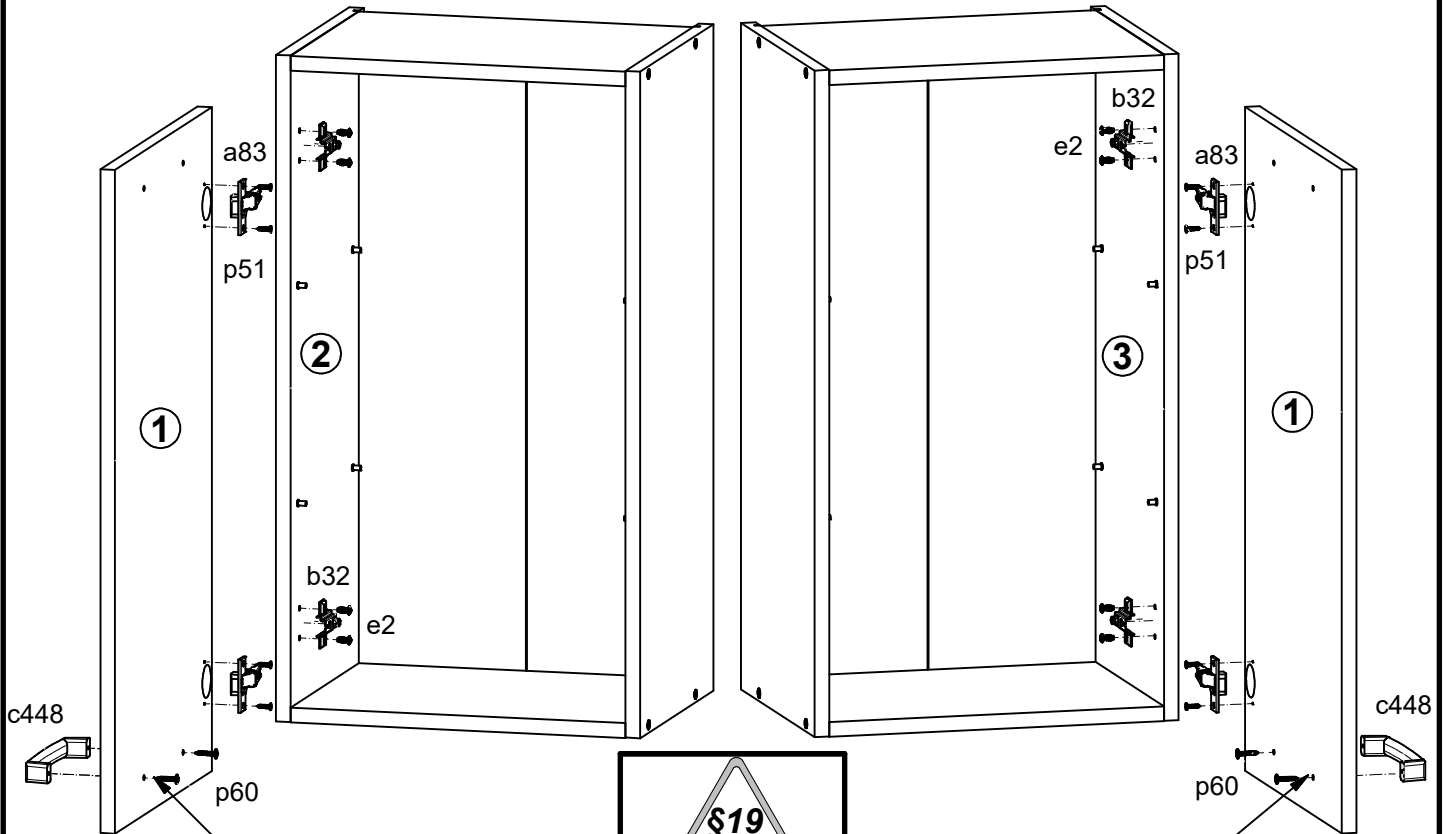
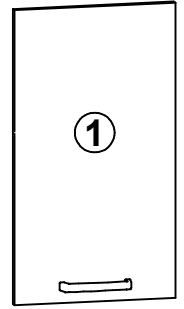
5



A	B	C	D
1	K30-0001	713	396
			2/2



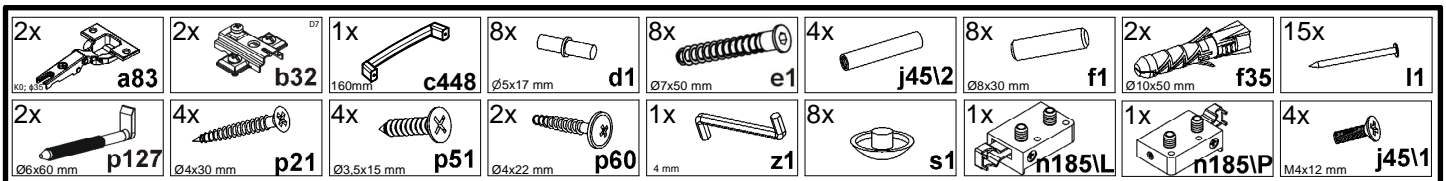
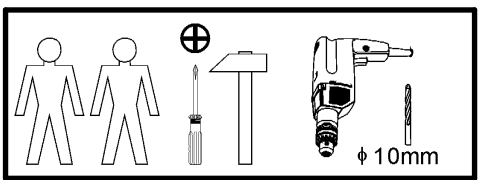
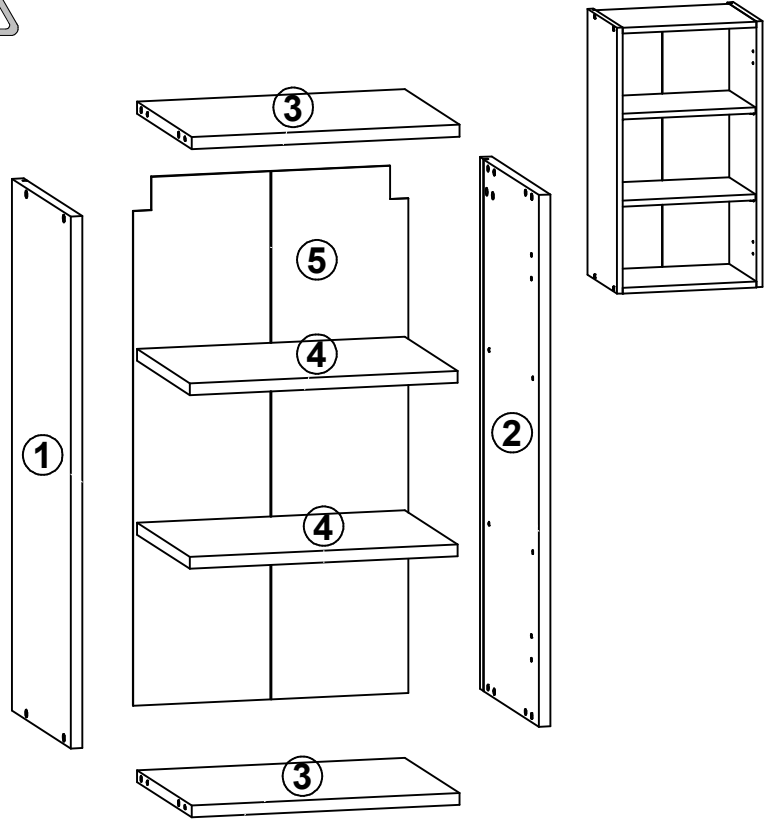
A	B	C	D
1	K30-0008	396	713
			2/2



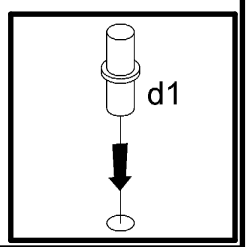
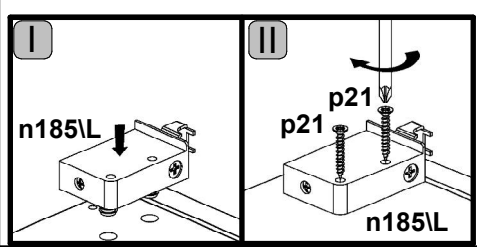
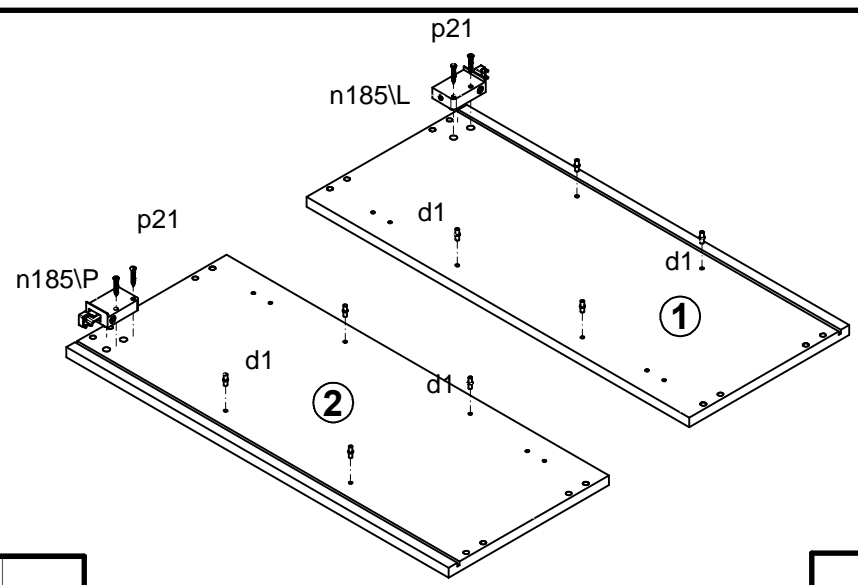
SEMI LINE

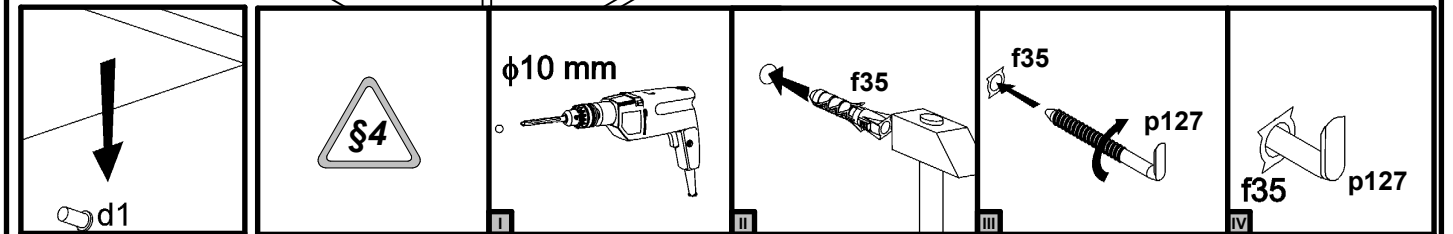
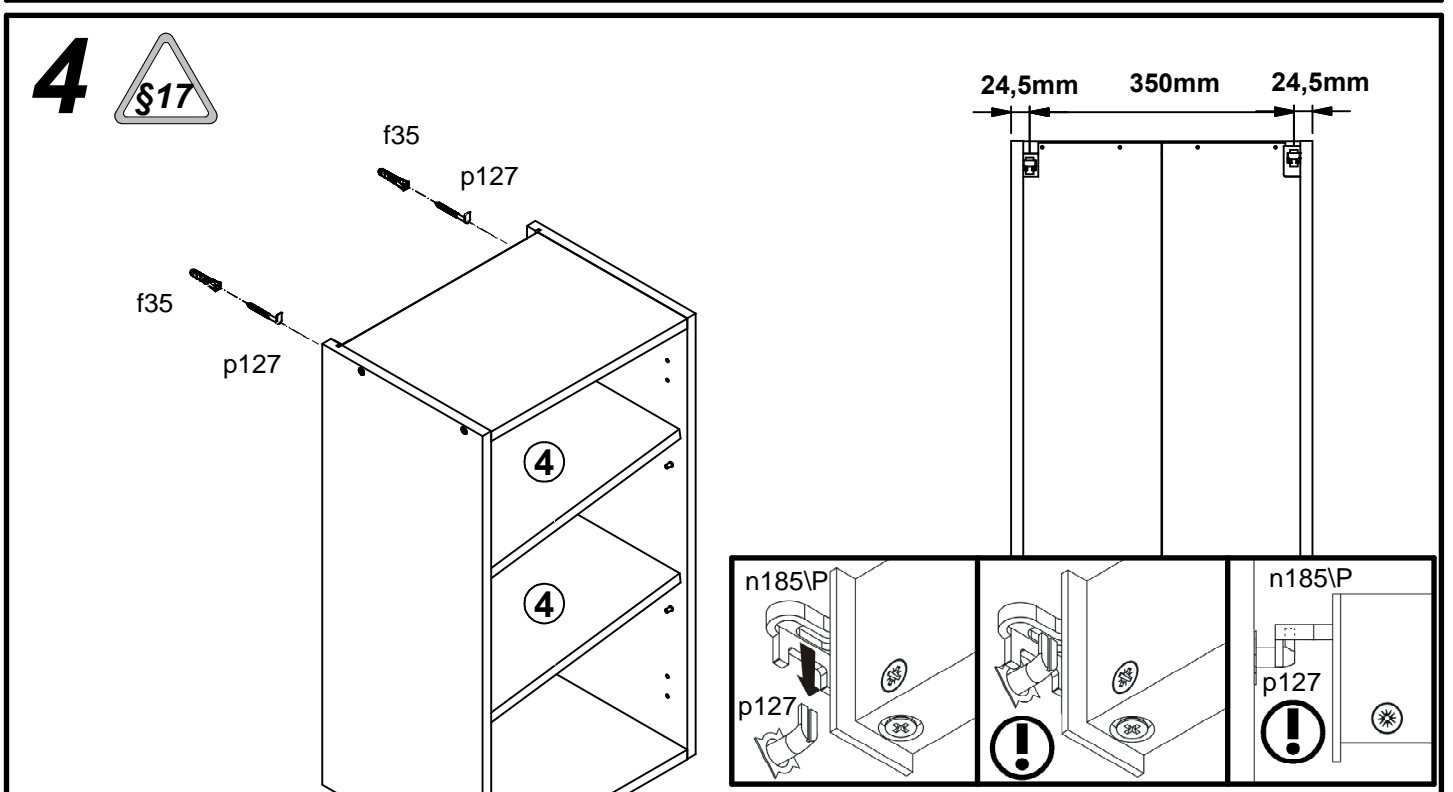
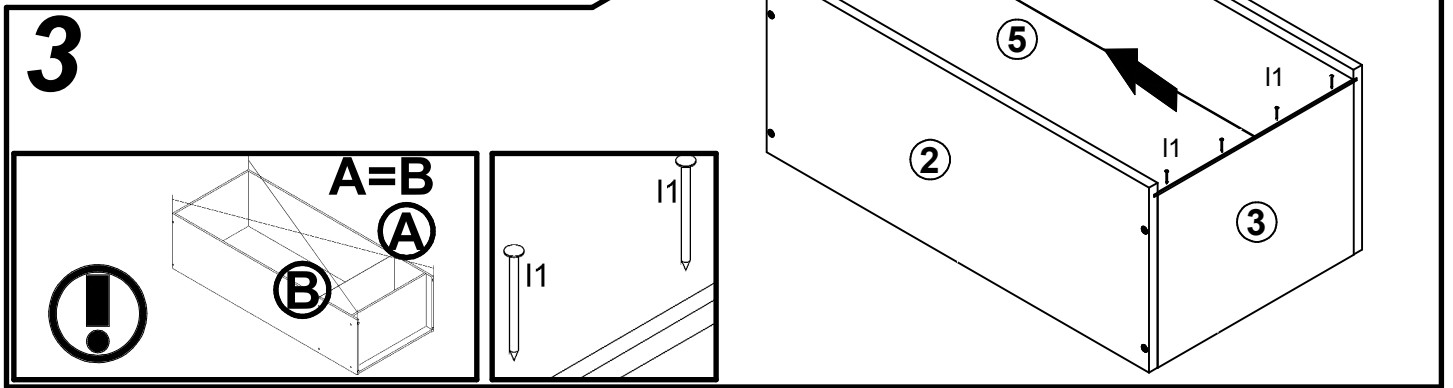
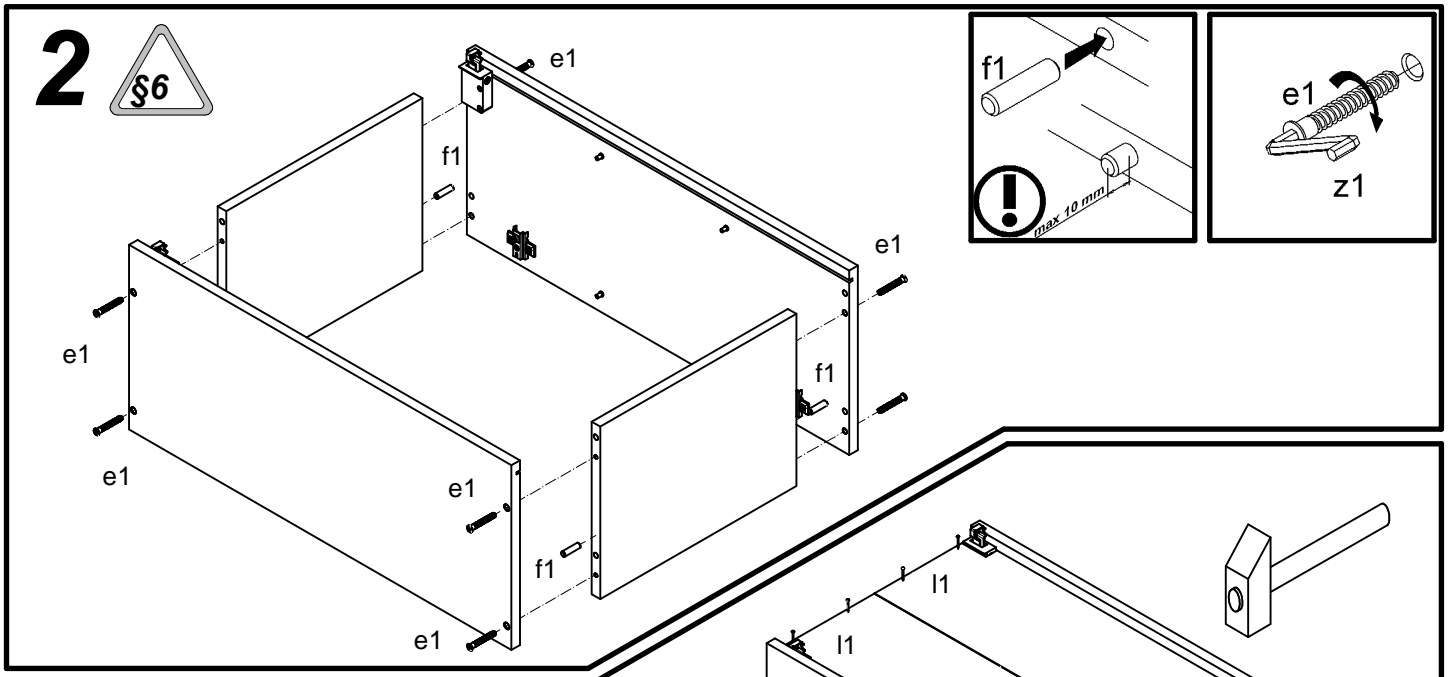
K30-G-40/72

A	B	C	D	
1	K30-1001	716	300	1/2
2	K30-1002	716	300	1/2
3	K30-3001	367	280	1/2
4	K30-3002	367	270	1/2
5	K30-9001	711	377	1/2



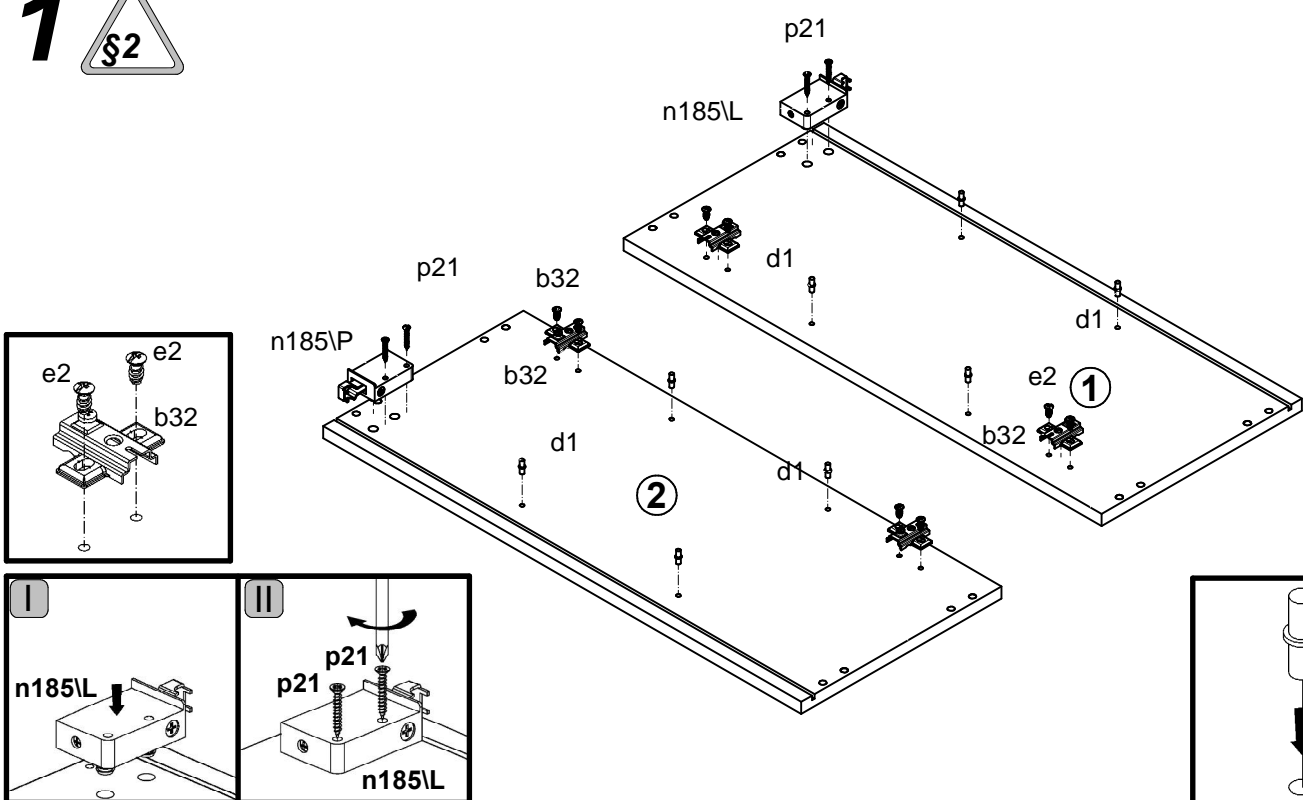
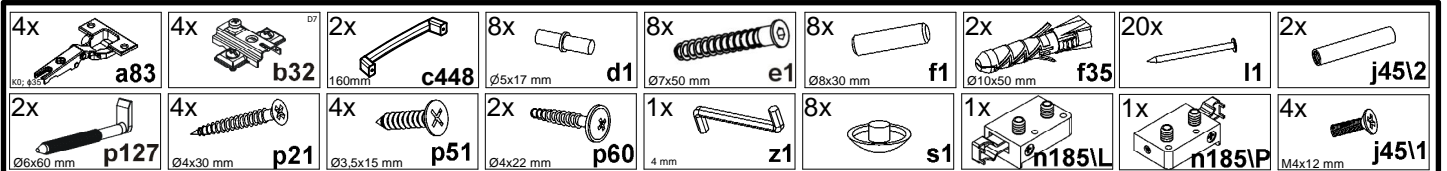
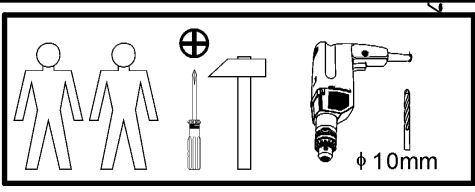
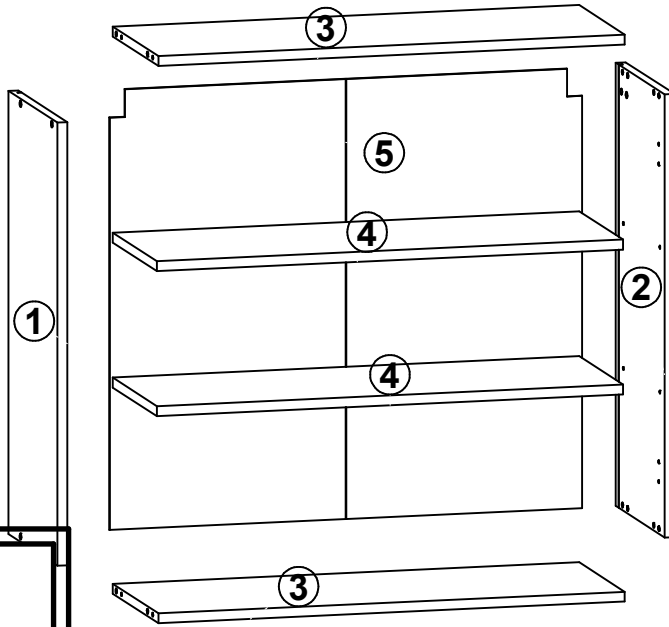
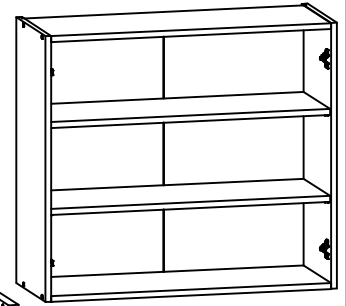
1 §2





SEMI LINE K30-G-80_72-LV_PV

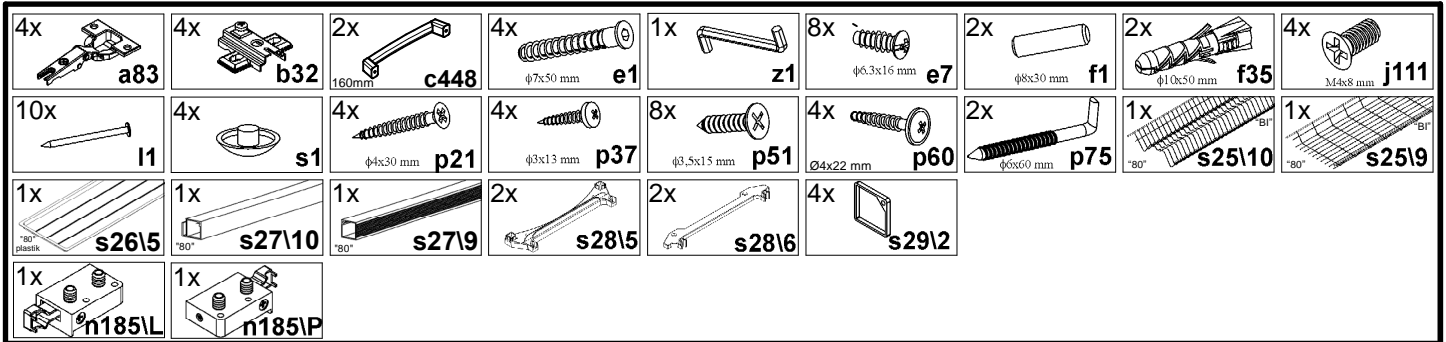
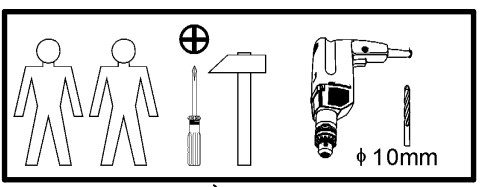
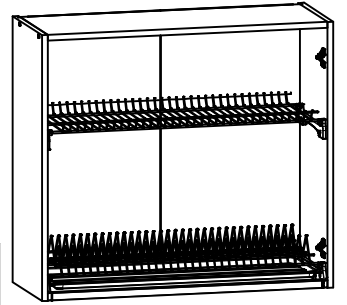
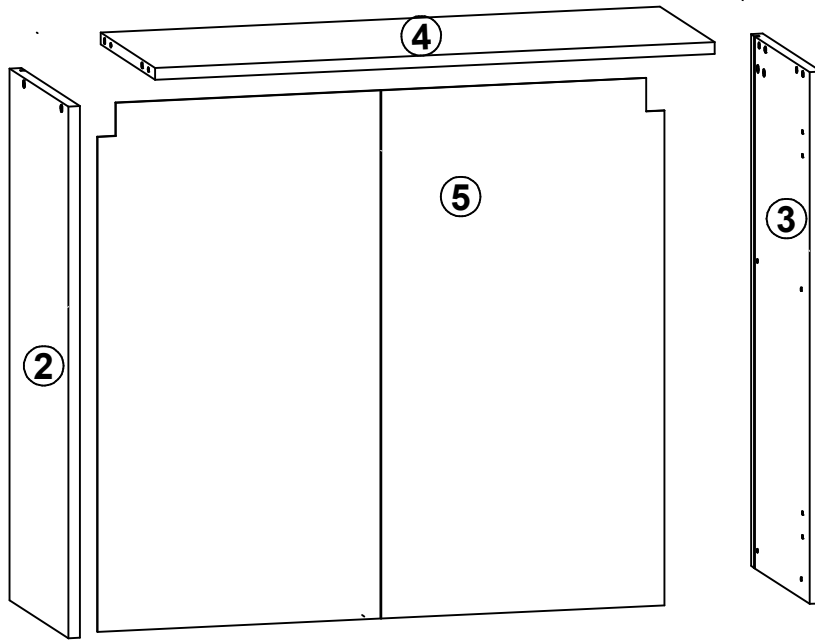
A	B	C	D	
1	K30-1001	716	300	1/2
2	K30-1002	716	300	1/2
3	K30-3005	767	280	1/2
4	K30-3006	767	270	1/2
5	K30-9003	711	777	1/2



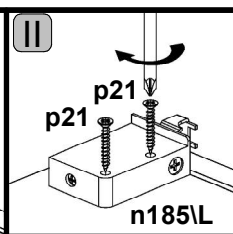
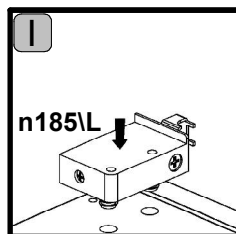
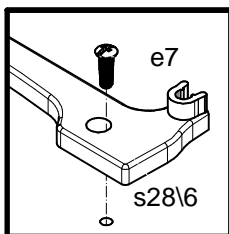
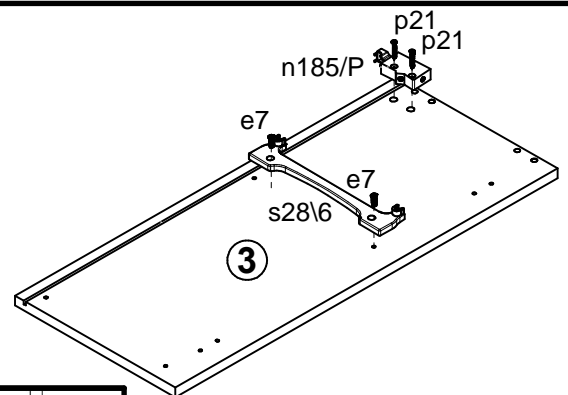
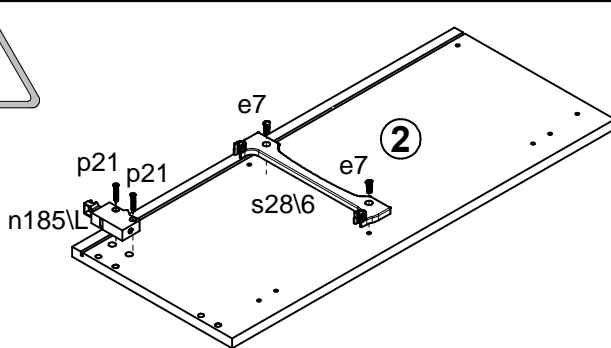
SEMI LINE

K30-GC-80_72

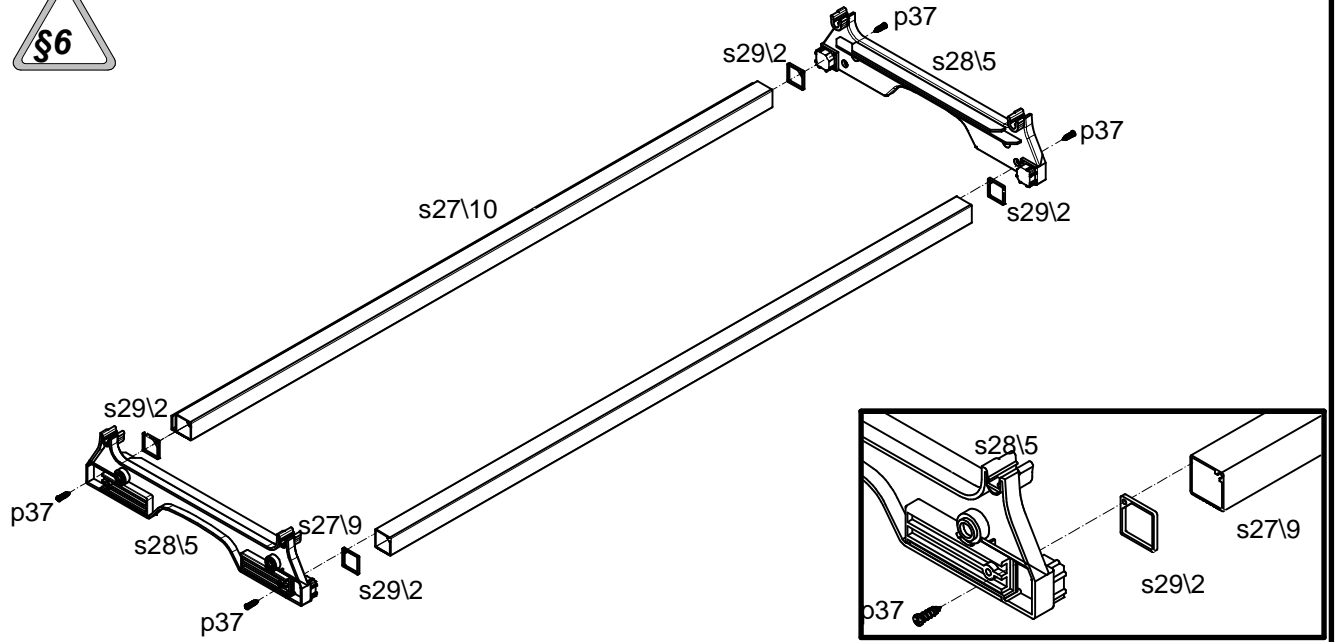
A	B	C	D	
2	K30-1003	716	300	1/3
3	K30-1004	716	300	1/3
4	K30-3005	767	280	1/3
5	K30-9003	711	777	1/3



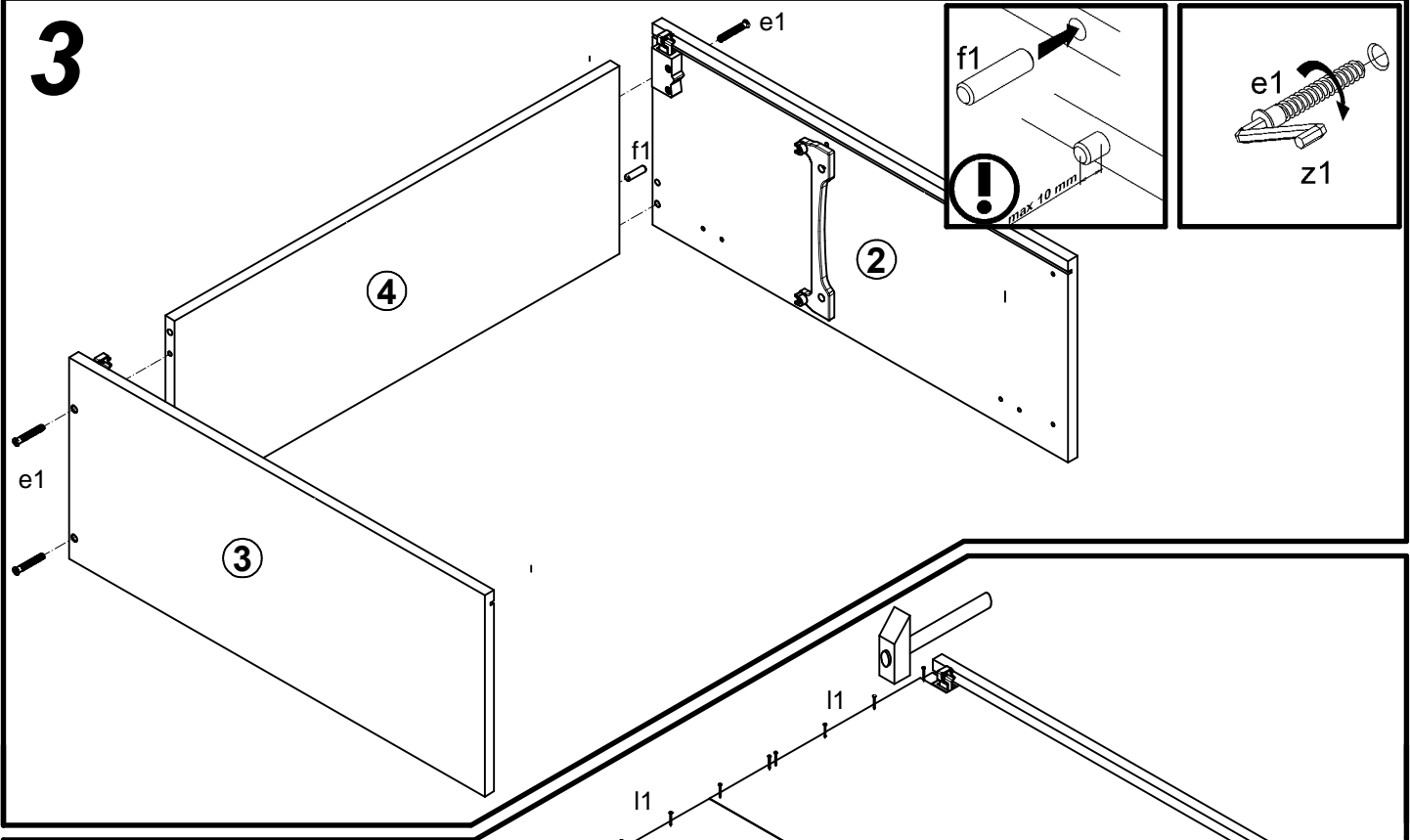
1 §2



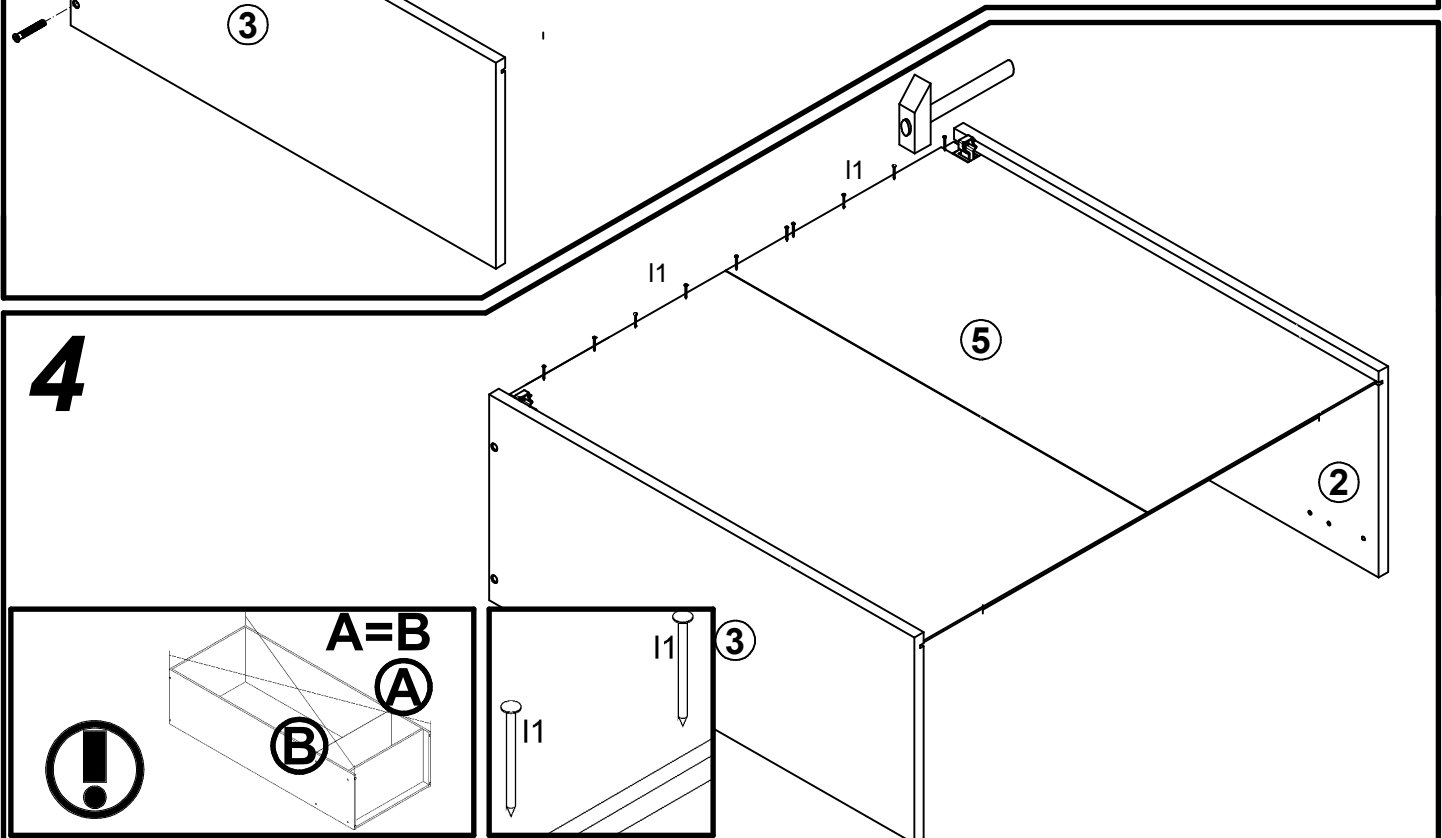
2

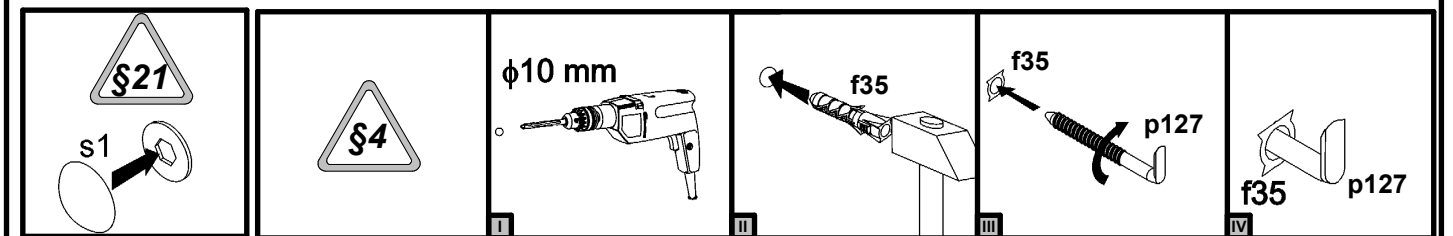
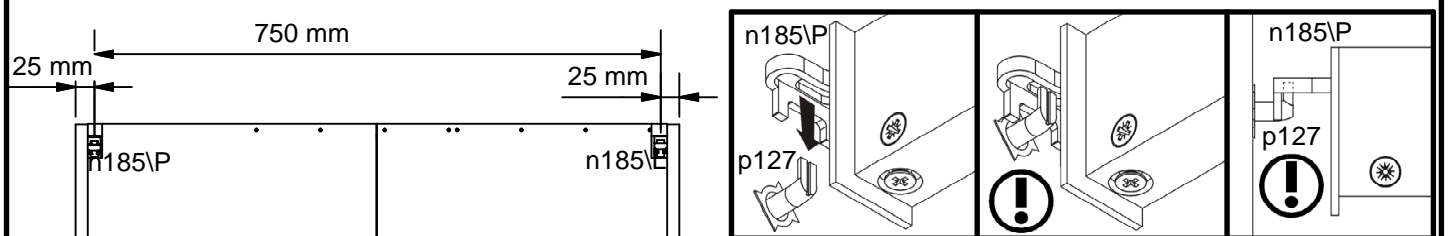
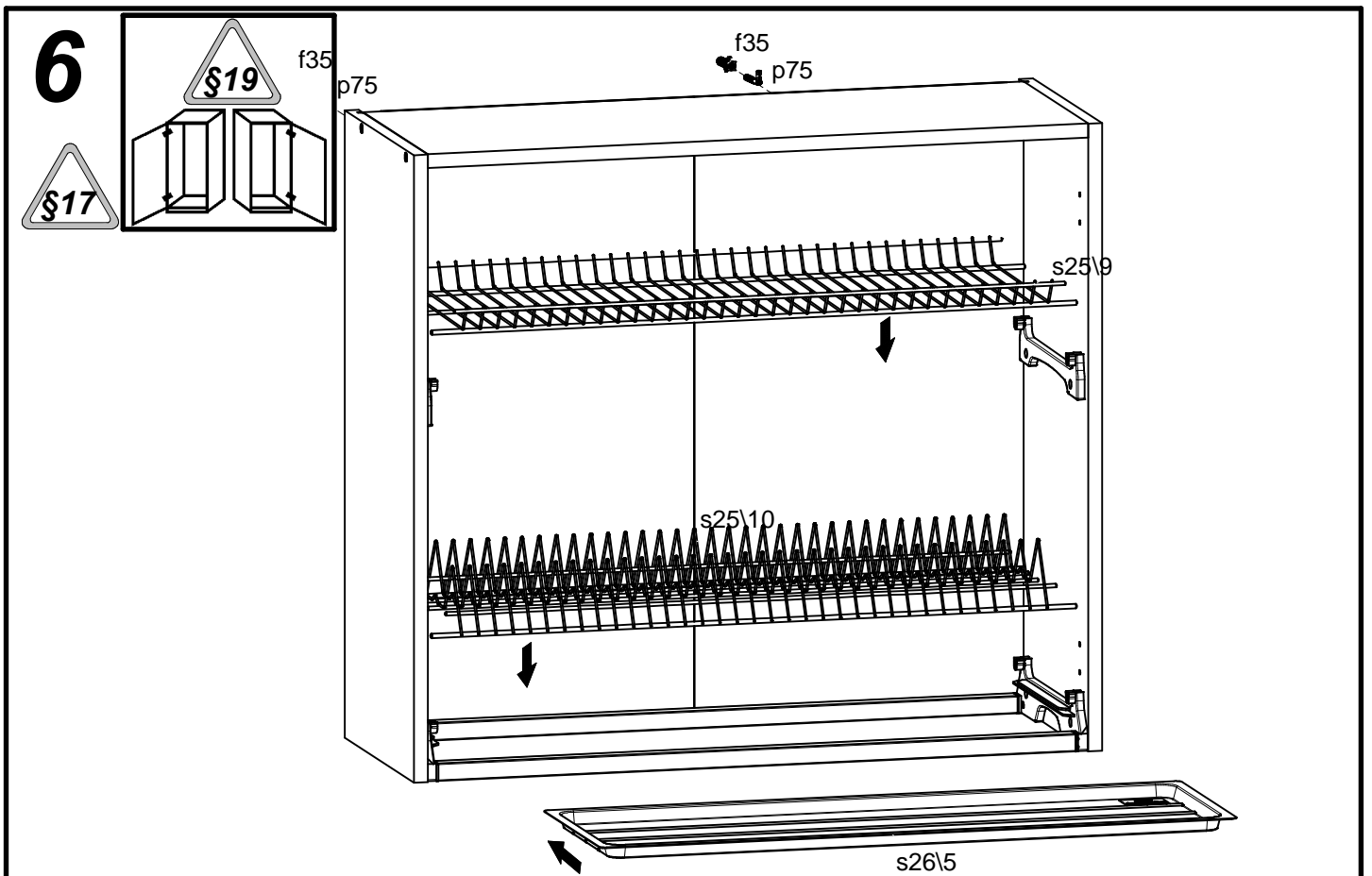
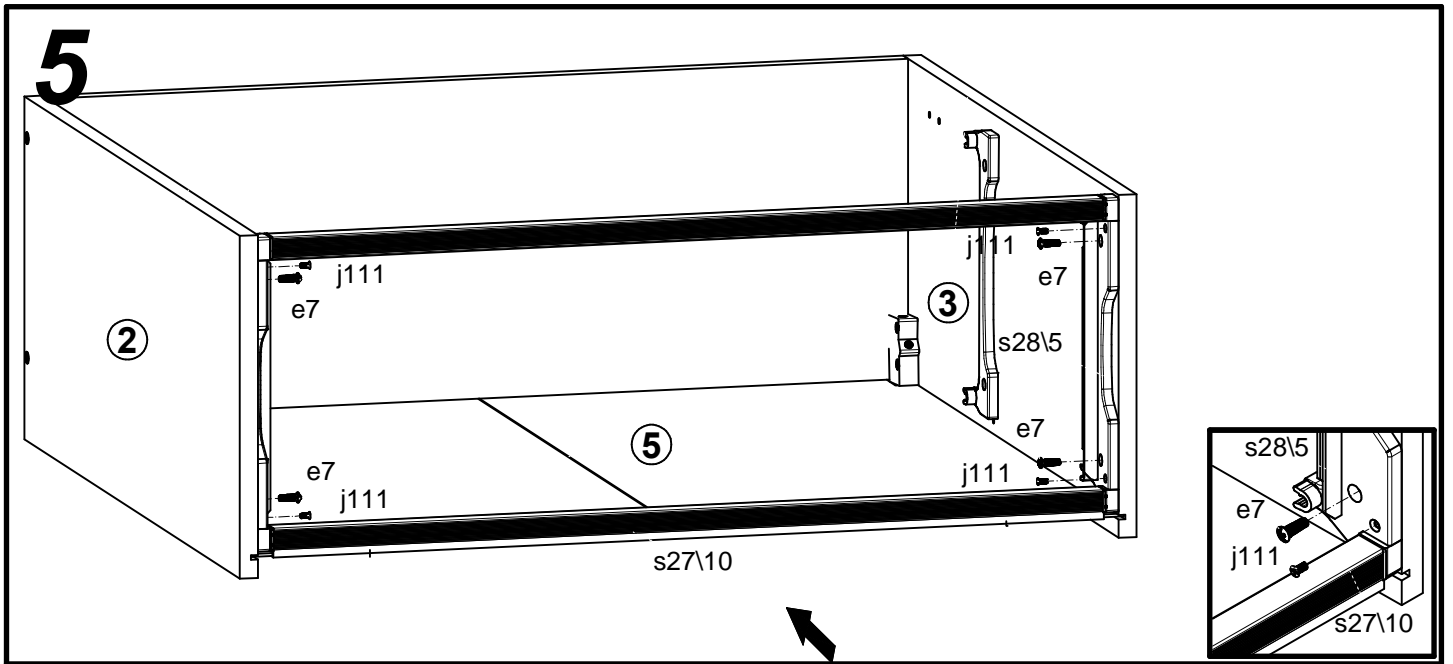


3

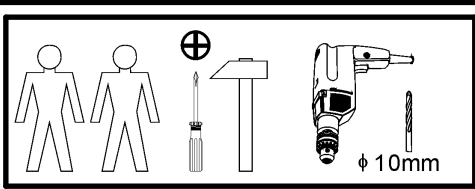
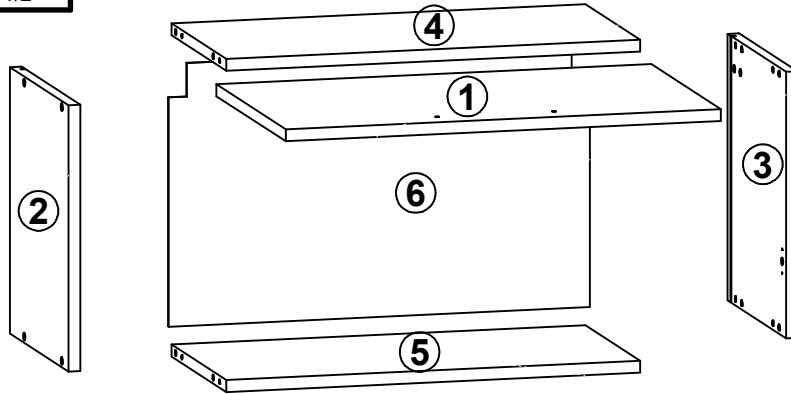
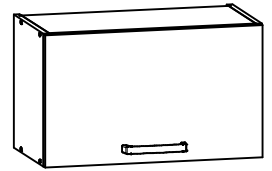


4





A	B	C	D
1	K30-0012	596	355
2	K30-1005	358	300
3	K30-1006	358	300
4	K30-3007	567	280
5	K30-3003	567	280
6	K30-9004	353	577



2x a83	2x b32	8x φ7x50 mm e1	15x l1	8x φ8x30 mm f1	2x φ10x50 mm f35	4x M4x12 mm j45\1	2x j45\2	
2x m25\2	2x m25\9	2x 50 N m25\7	4x φ4x30 mm p21	12x φ3,5x15 mm p51	2x Ø6x60 mm p127	1x 160mm c448	2x Ø4x22 mm p60	8x s1
1x z1	1x n185\L	1x n185\P	2x silikon o21					

