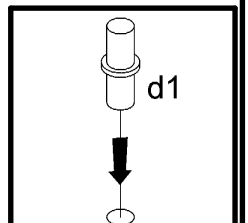
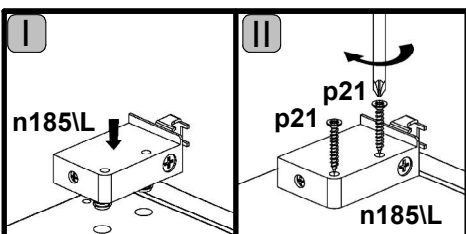
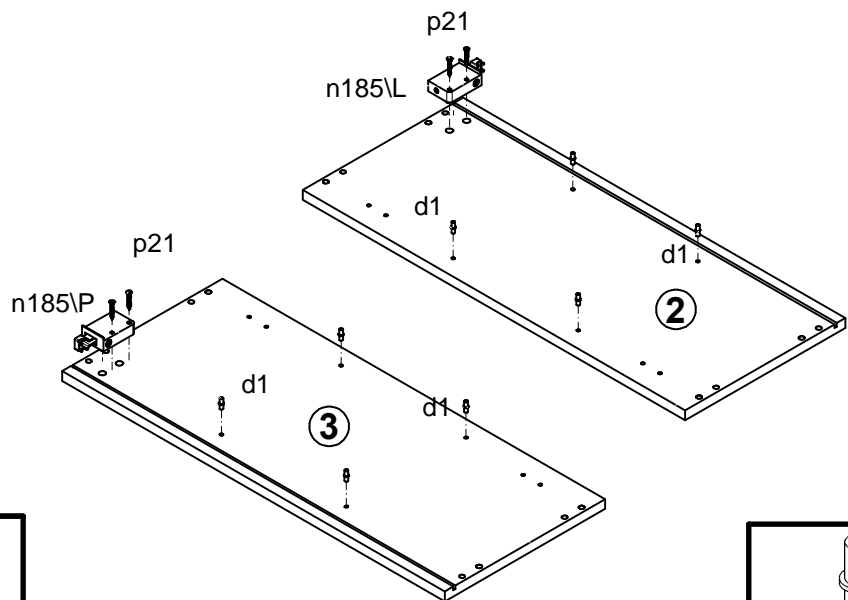
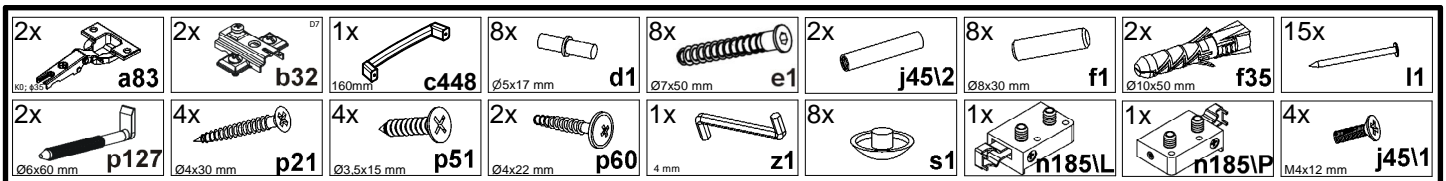
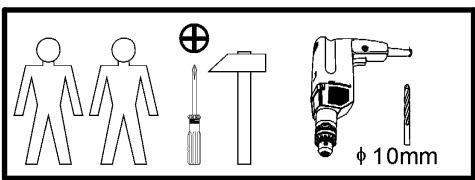
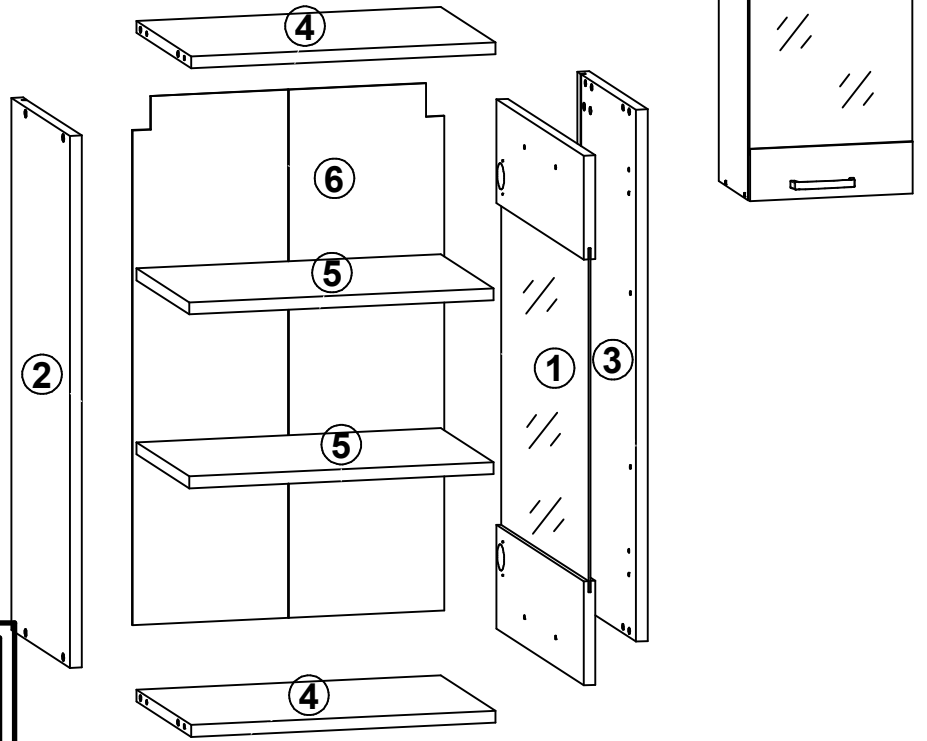
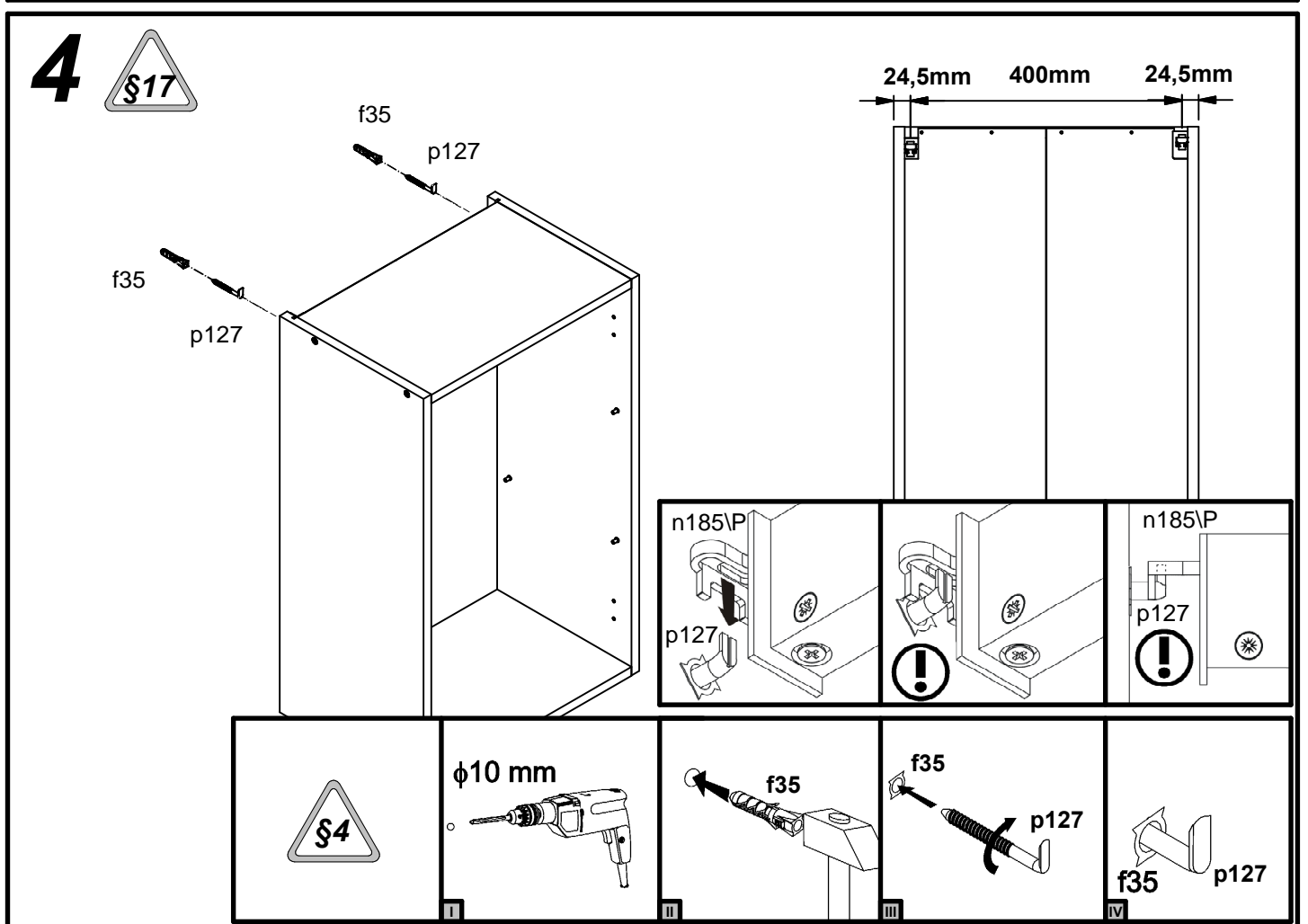
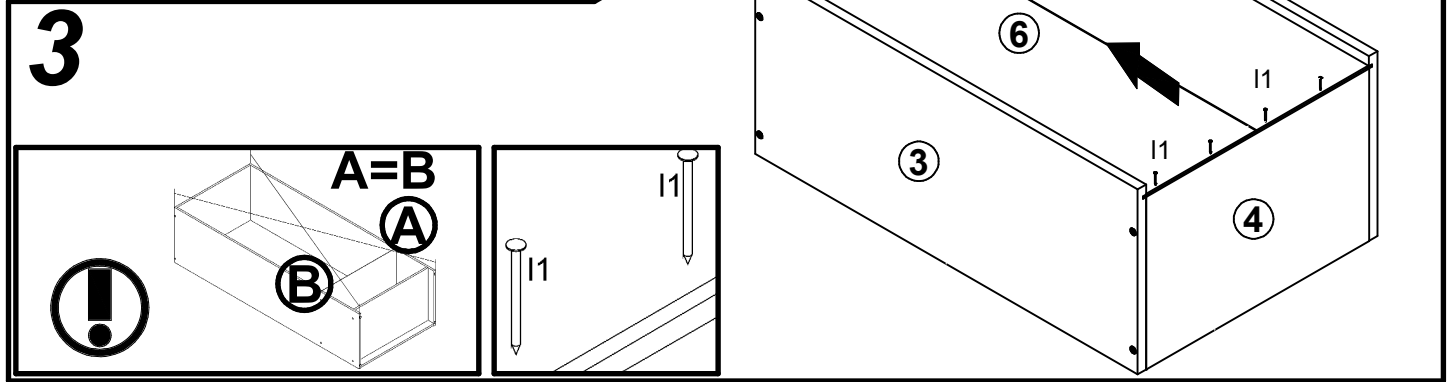
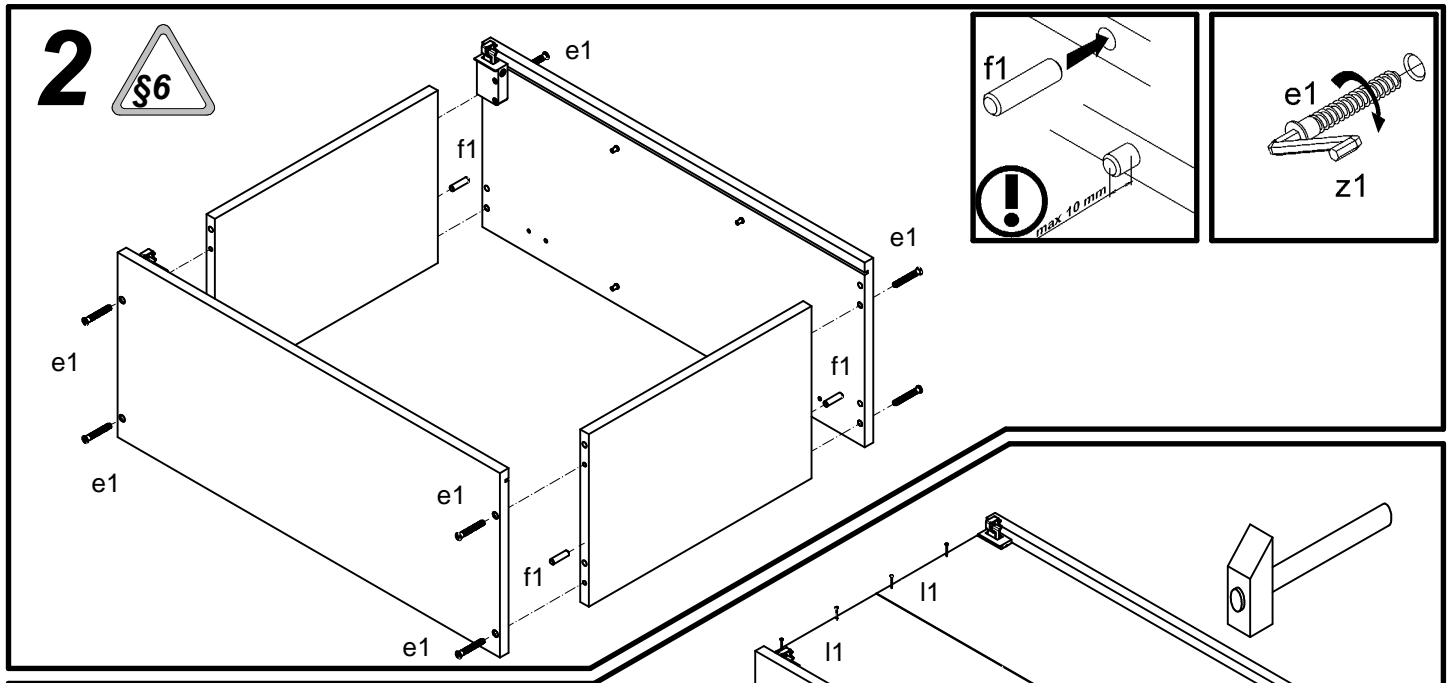


# SEMI LINE K30-G-45\_72-LV\_PV

| A | B        | C   | D       |
|---|----------|-----|---------|
| 1 | K30-0009 | 713 | 446 2/2 |
| 2 | K30-1001 | 716 | 300 1/2 |
| 3 | K30-1002 | 716 | 300 1/2 |
| 4 | K30-3026 | 417 | 280 1/2 |
| 5 | K30-3027 | 417 | 270 1/2 |
| 6 | K30-9012 | 711 | 427 1/2 |





# 5

