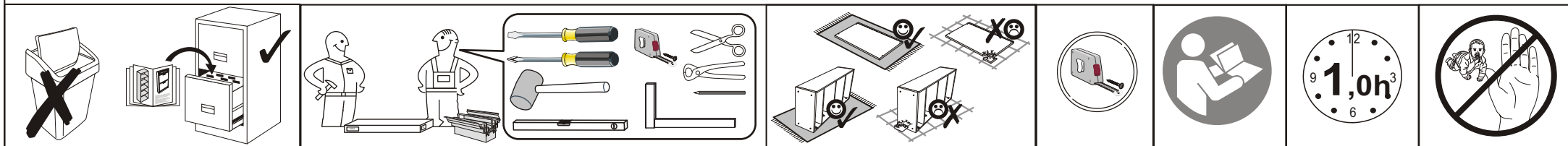
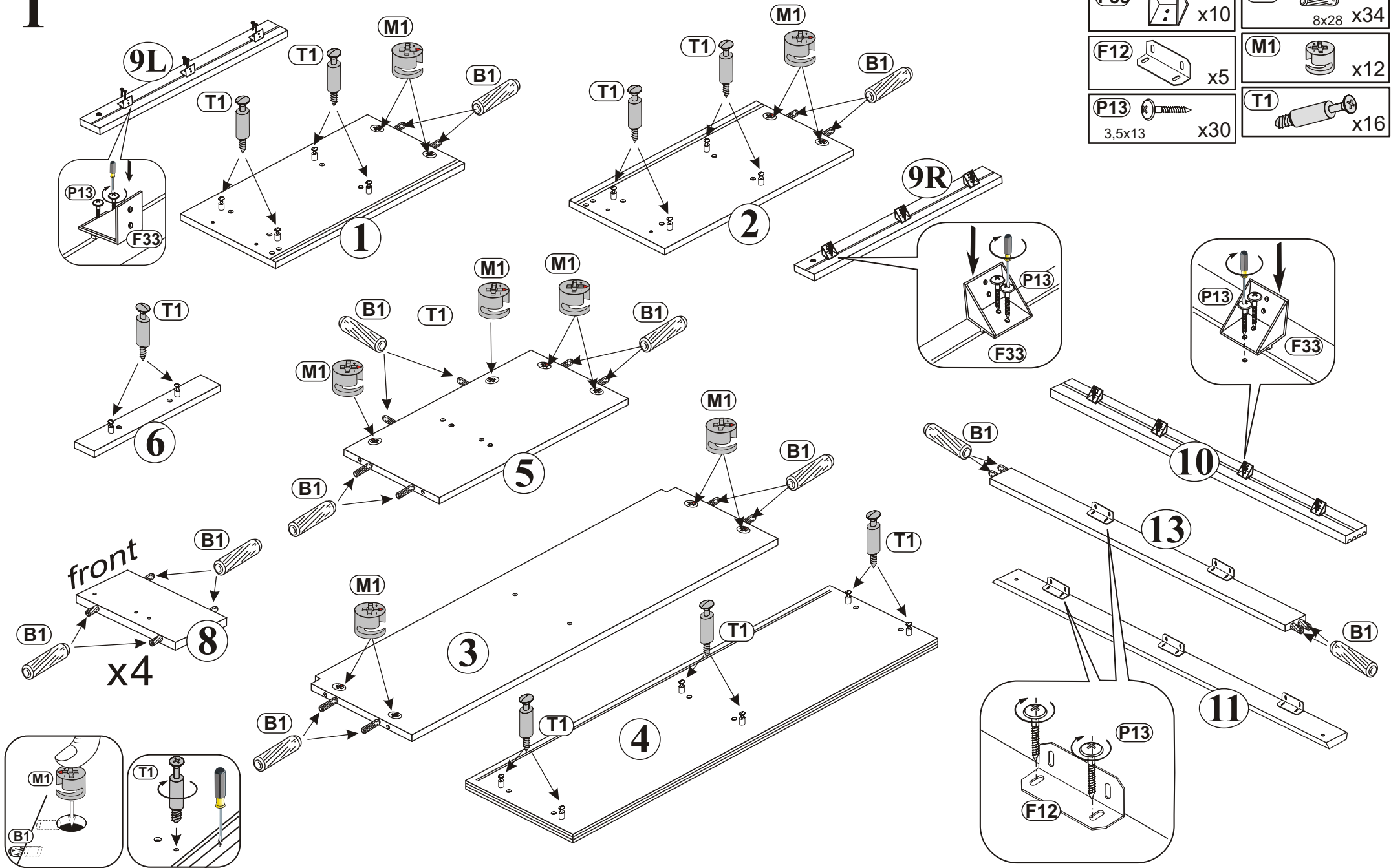


NR 1	
(B1)	8x28 x38
(B2)	8x50 x2
(M1)	x20
(T1)	x16
(T12)	x2
(C2)	x15
(J23)	x20
(S4)	3,0x20 x6
(K1)	7x50 x2
(L1)	x1
NR 4	
(U22)	x2
(A18)	4,0x25 x2




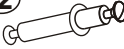
NR 2	
(F33)	x10
(P13)	3,5x13 x60
(F12)	x5
(S6)	4,0x30 x2
(S5)	4,0x25 x4
(C15)	60x3 x2
NR 3	
(R33)	x2L/2R
(E24)	6,0x11 x8
(P7)	4x30 x8
(T2)	5x35mm x4
(M2)	12x10mm x4

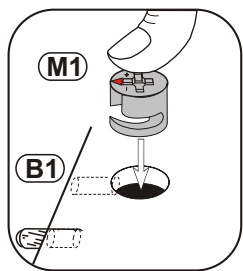
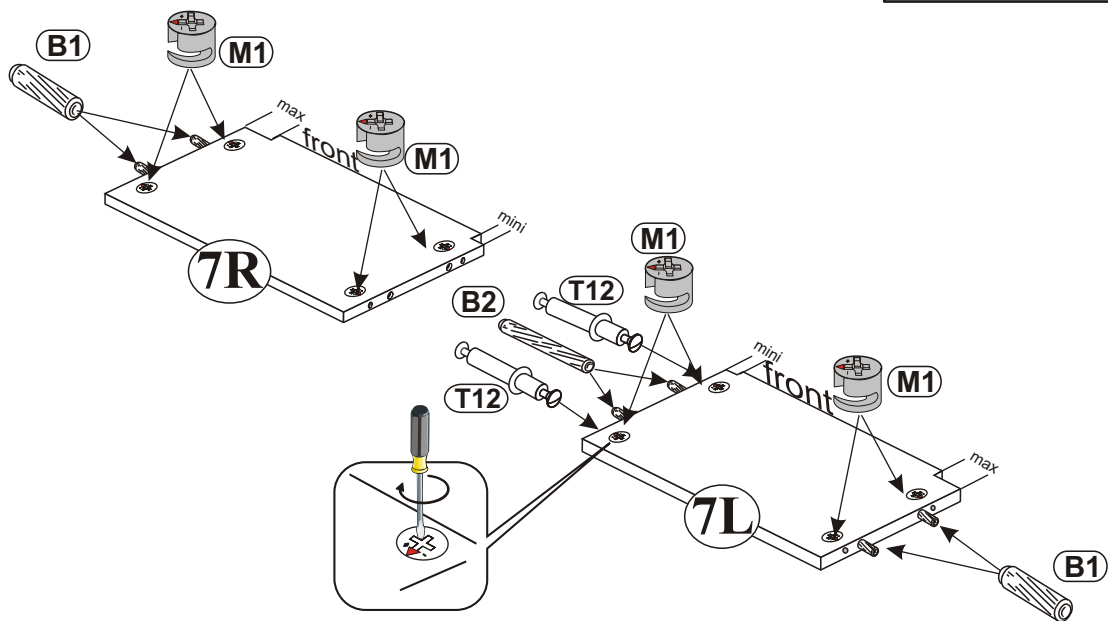


1




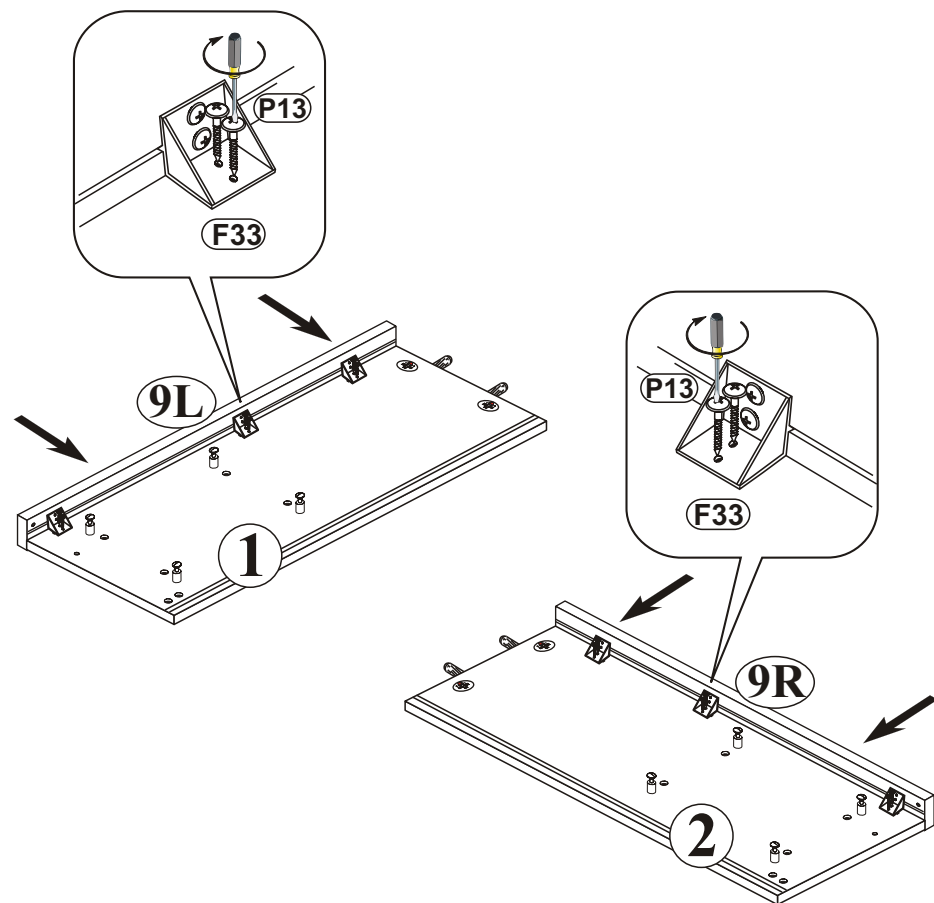
2

- (B1)**  8x28 x4
- (B2)**  8x50 x2
- (M1)**  x8
- (T12)**  x2

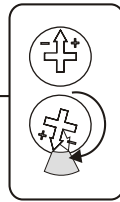
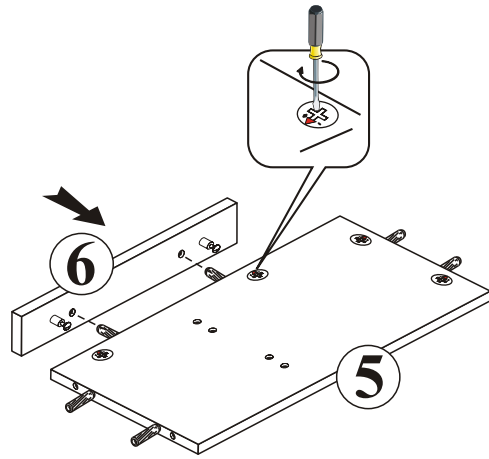


3

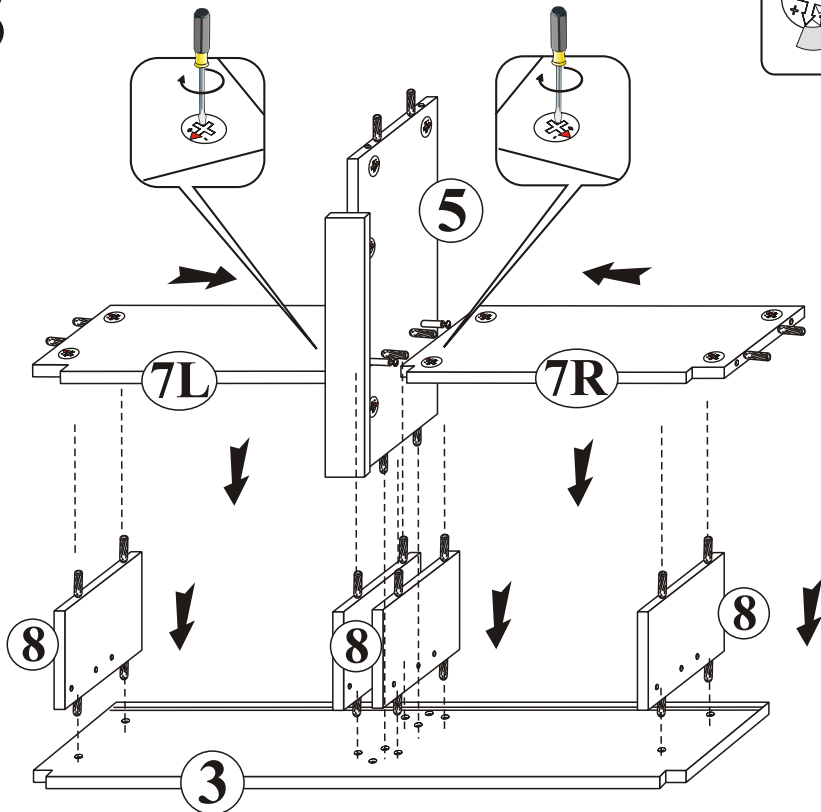
- (P13)**  3,5x13 x12



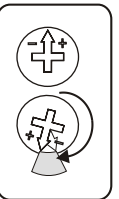
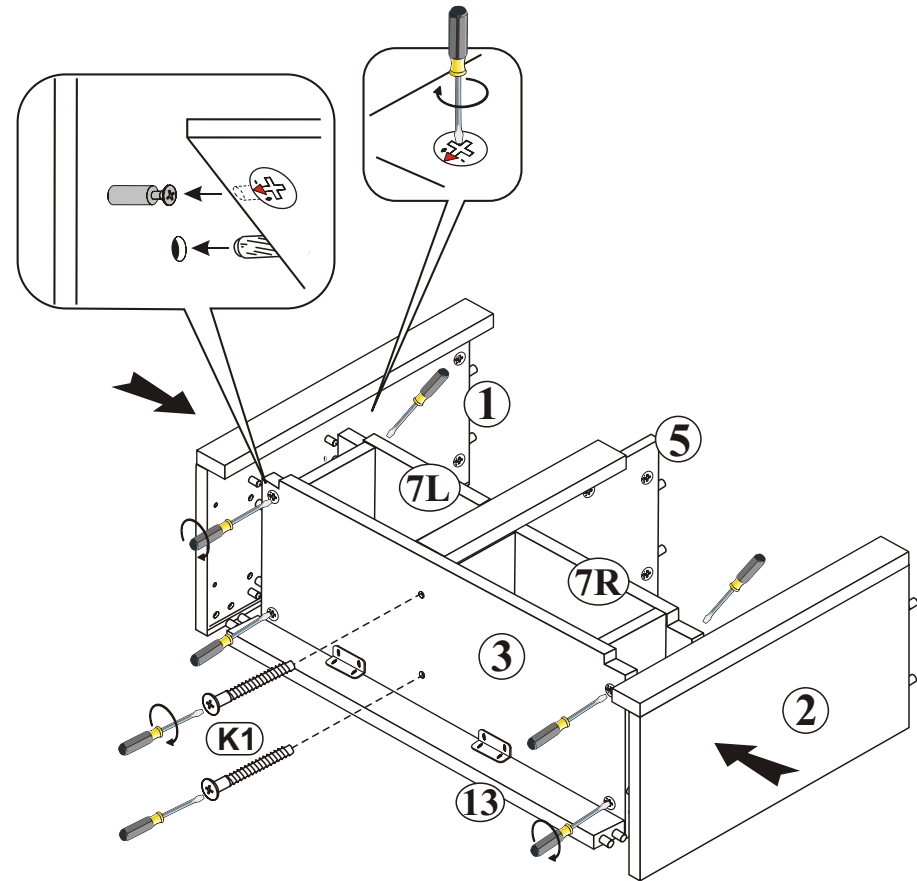
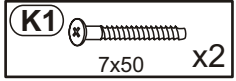
4






5

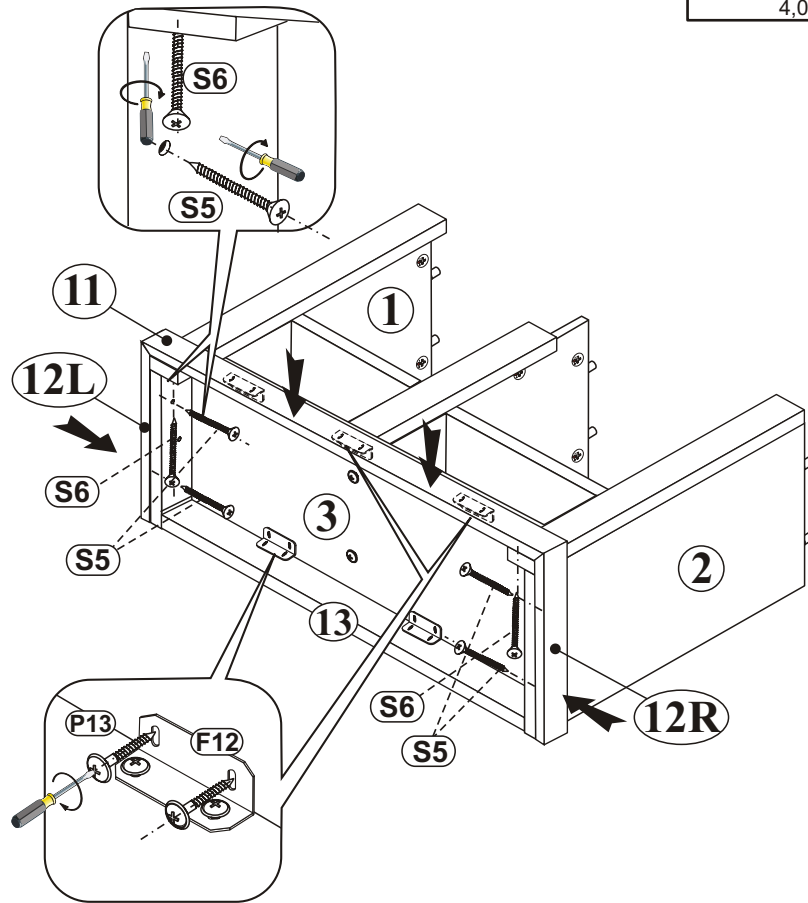


6




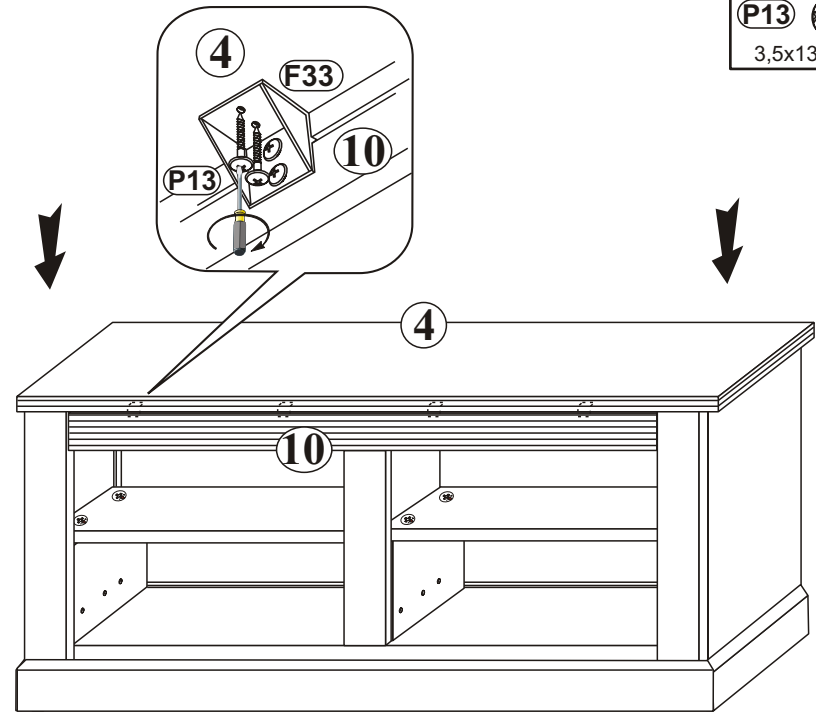
7

- P13**  3,5x13 x10
- S6**  4,0x30 x2
- S5**  4,0x25 x4

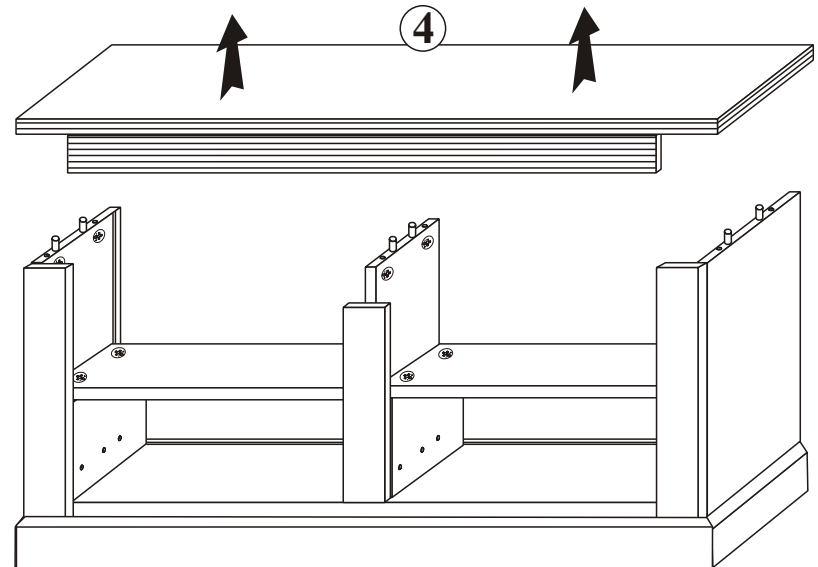


8

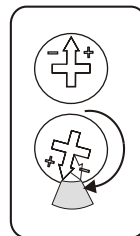
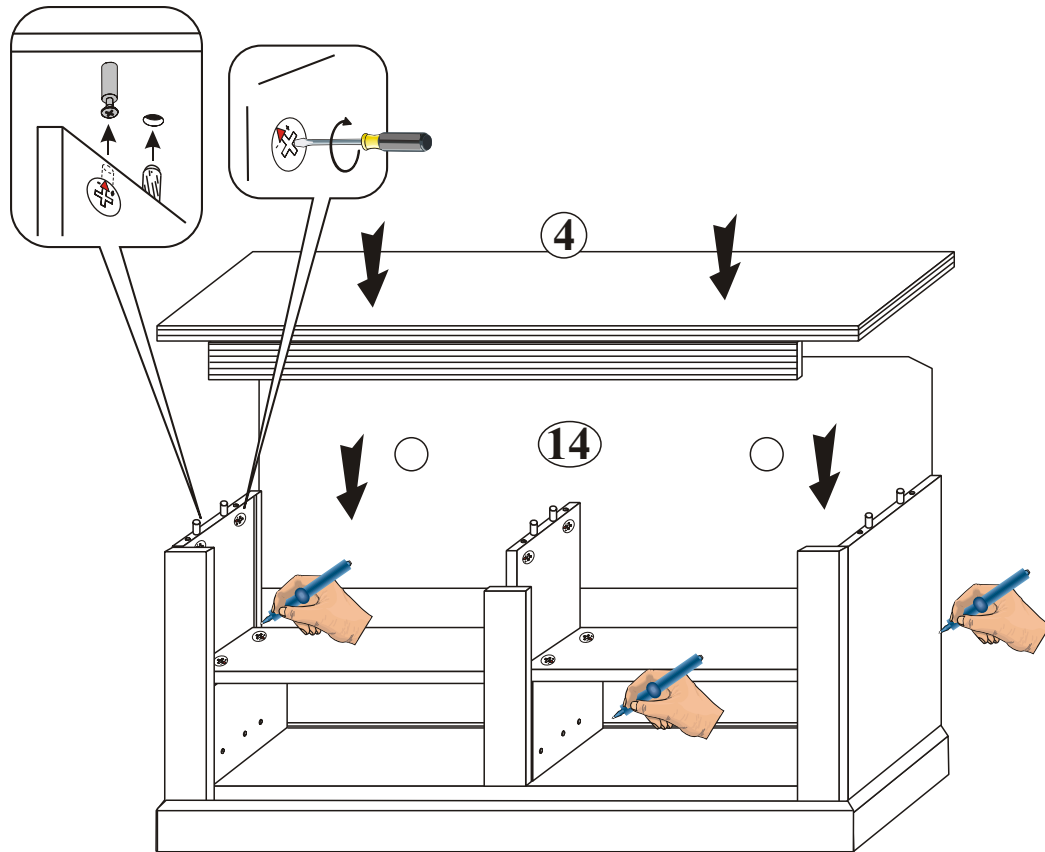
- P13**  3,5x13 x8





9

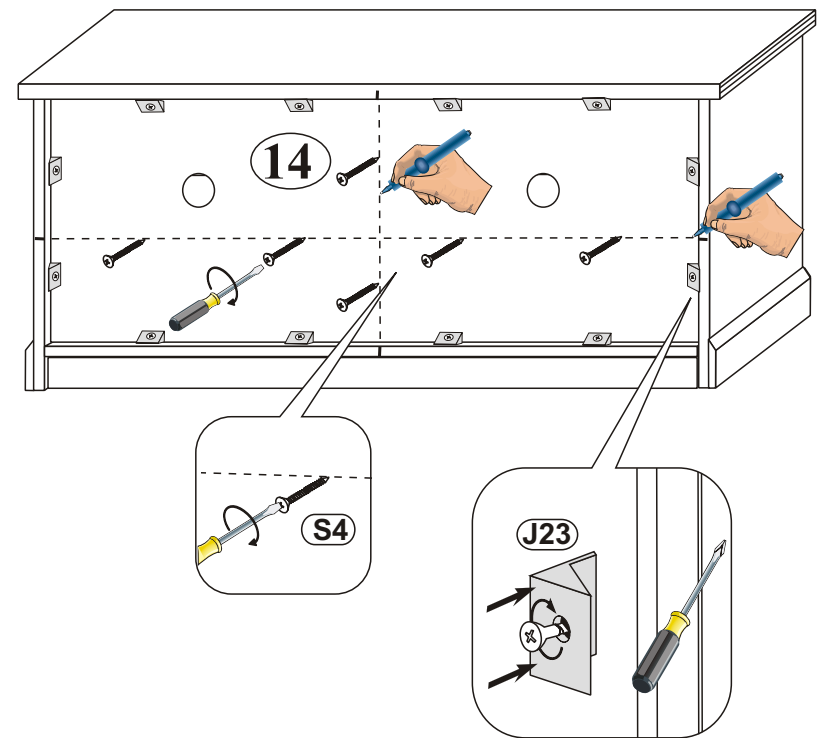


10

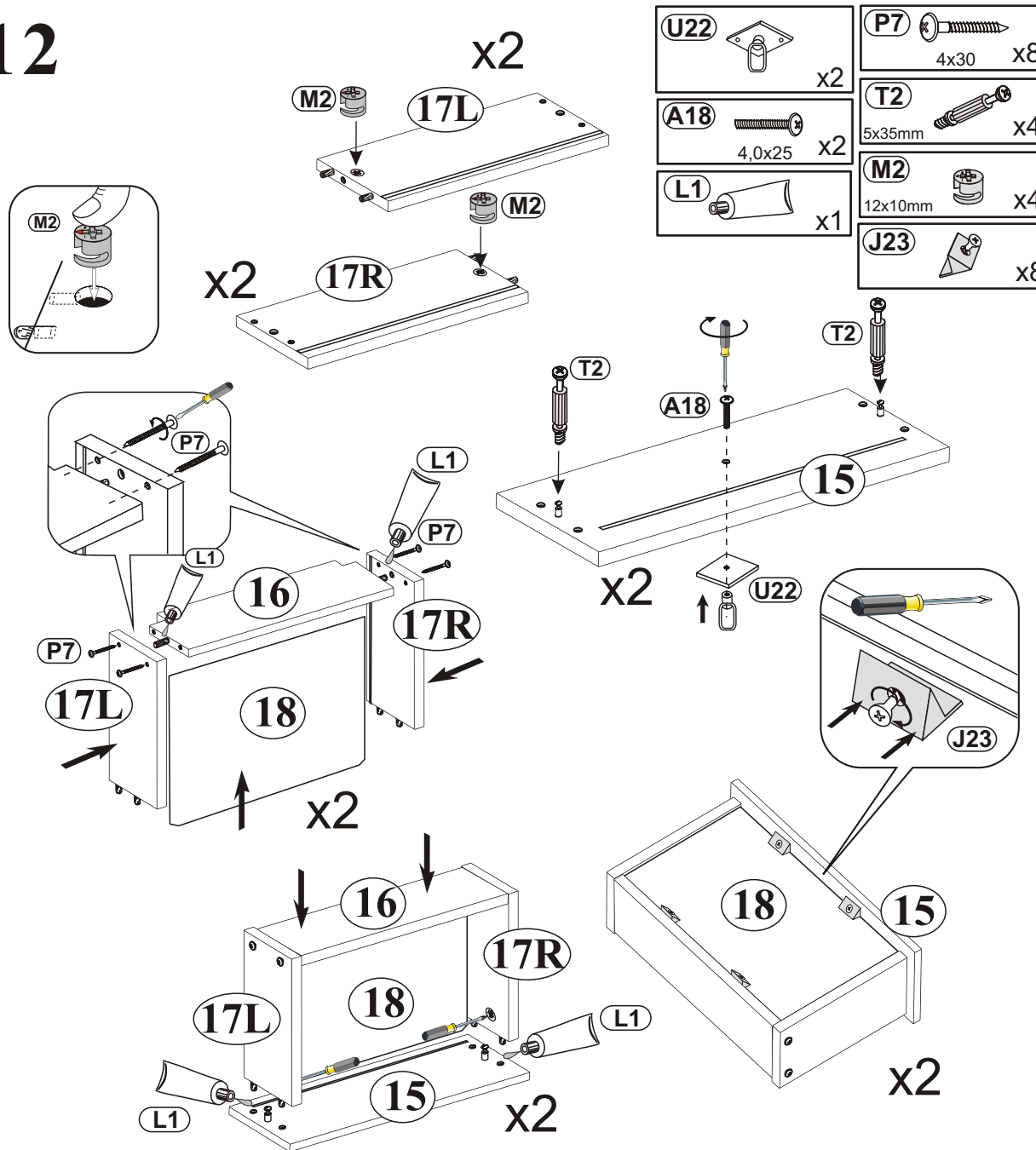


11

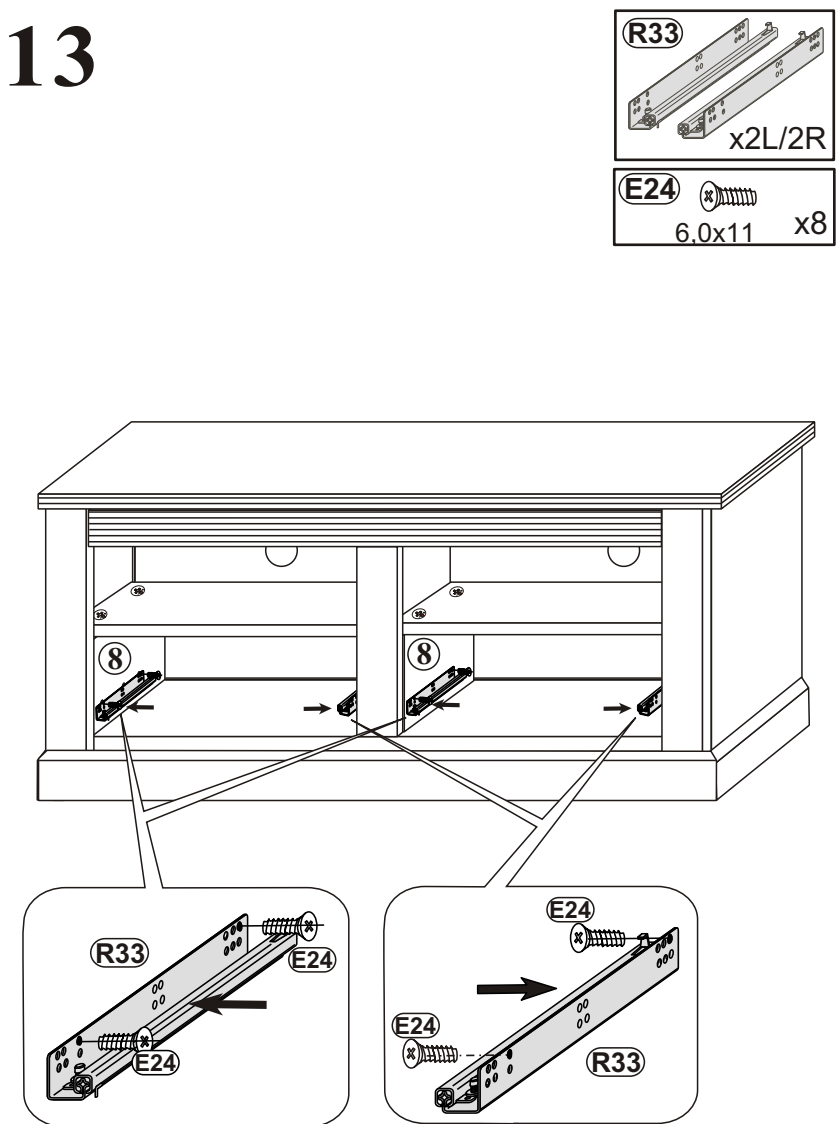
- J23**  x12
- S4**  3,0x20 x6





12



13



14

- C15**  60x3 x2
- C2**  x15

