

NR 1

(B1) 8x28 x12

(B2) 8x45 x10

(Z4) x24

(Z3) x24

(S3) 4x25mm x8

NR 2

(R36) x1L/1R

(E2) 6,0x11 x4

(T2) x2

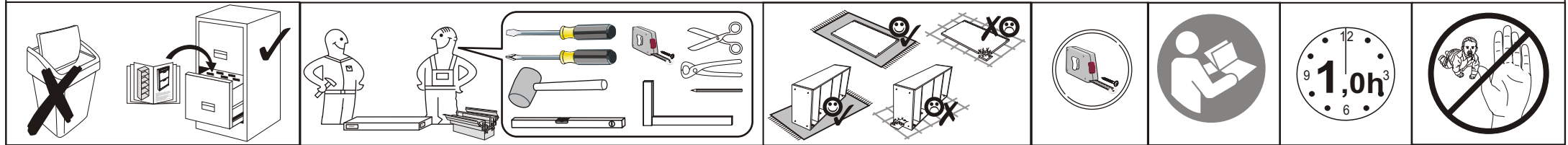
(M2) x2

(P7) 4x30 x2

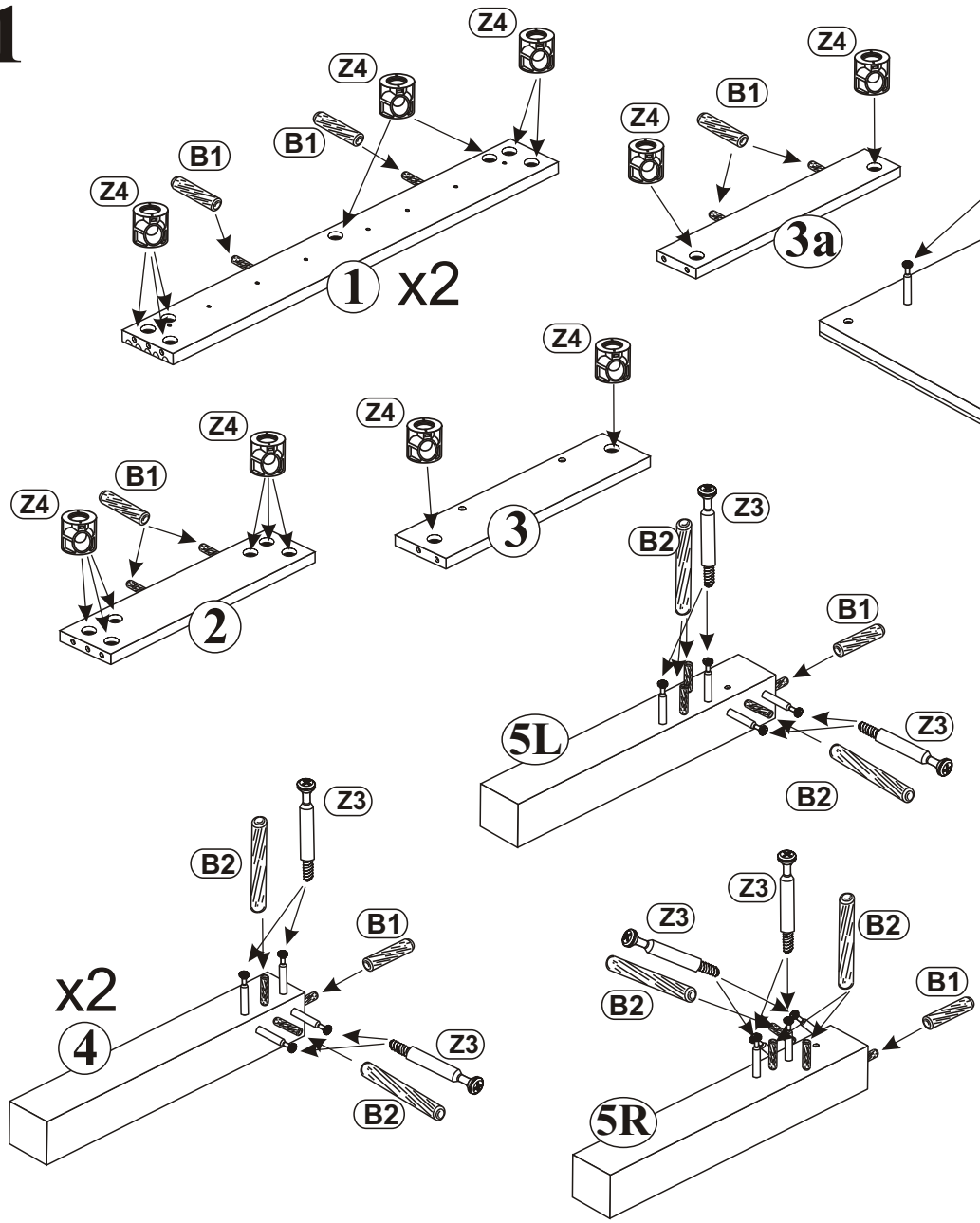
NR 3

(U22) x1

(A18) 4,0x25 x1

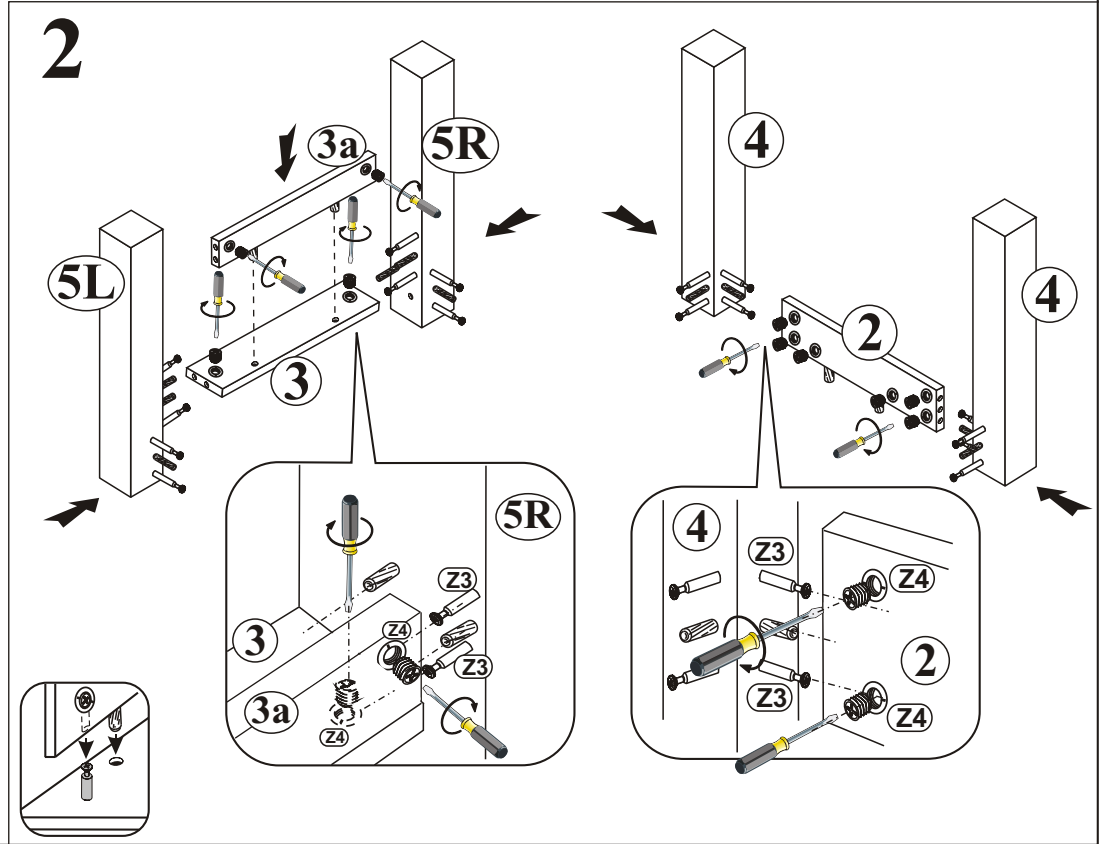


1

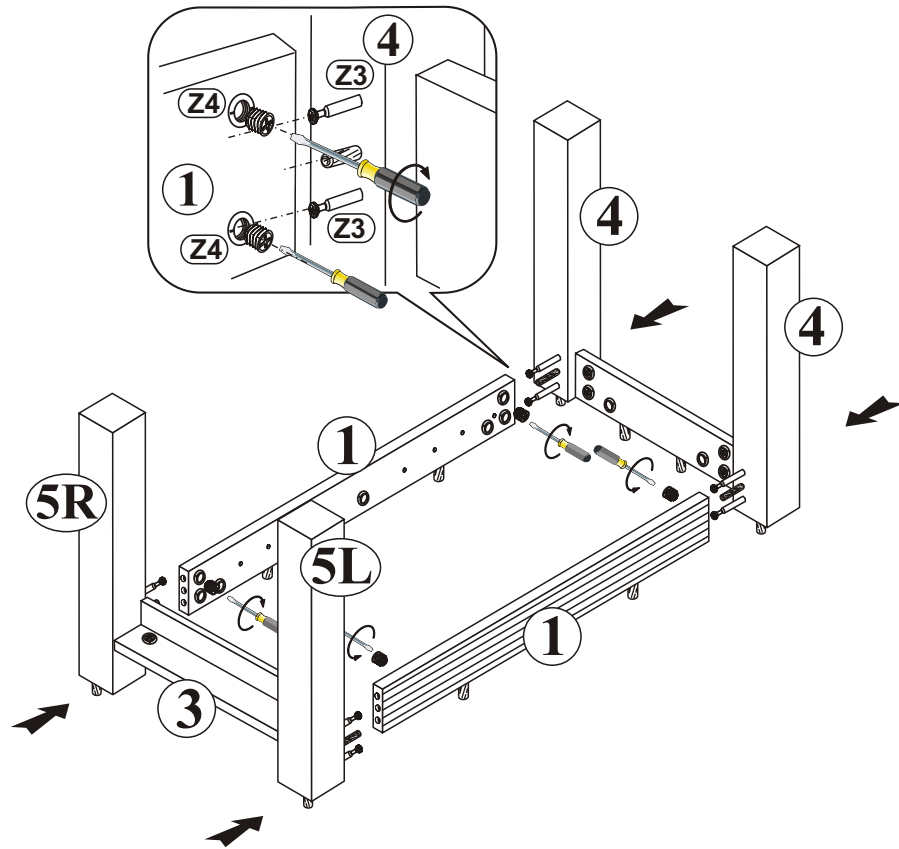


B1 8x28 x12	Z4 x24
B2 8x45 x10	Z3 x24

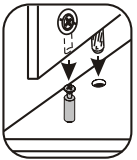
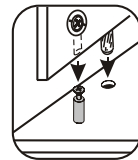
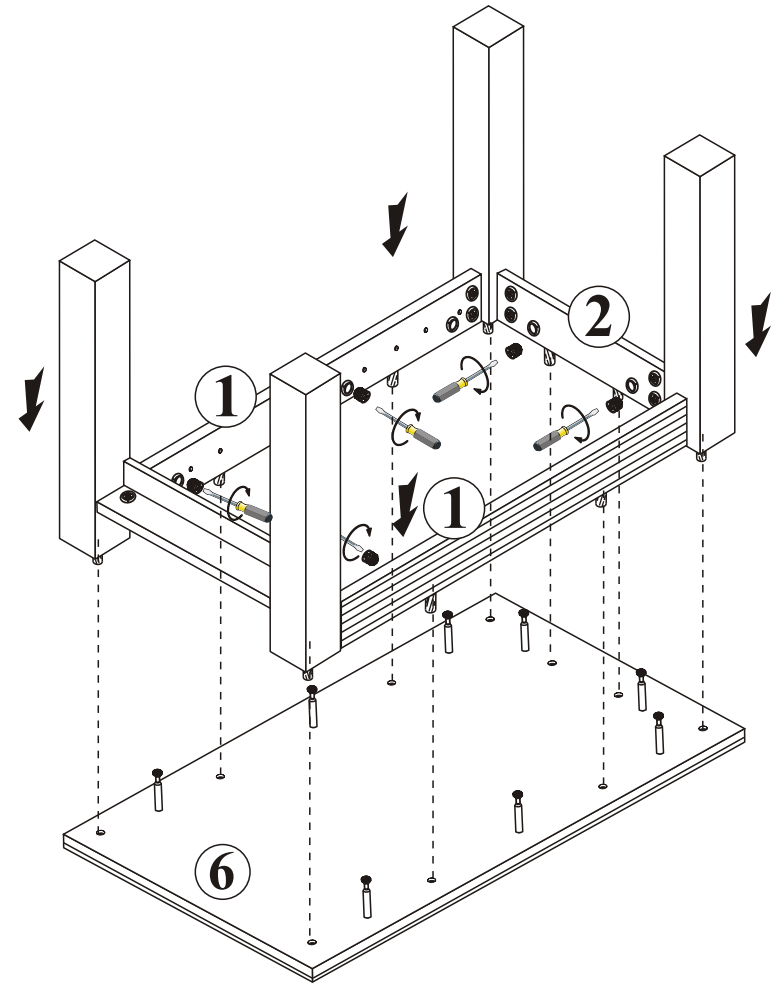
2



3




4

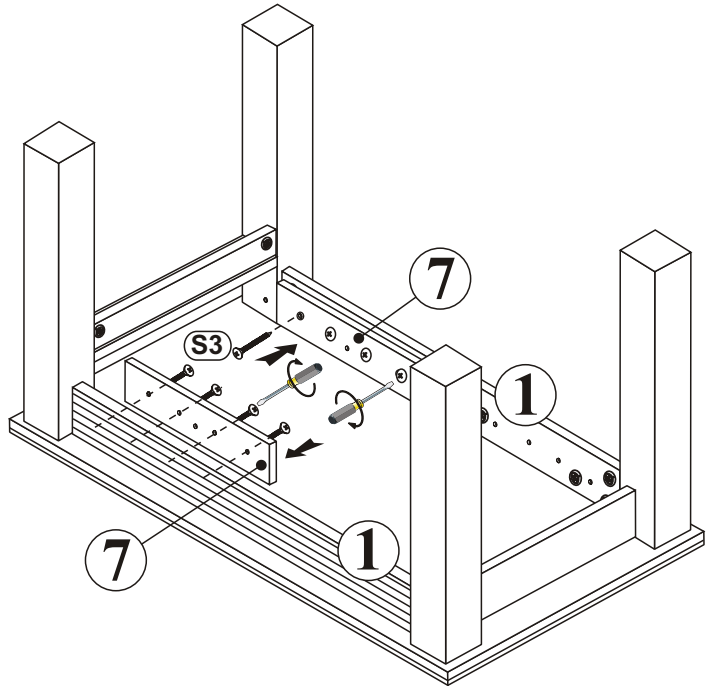


LIMA

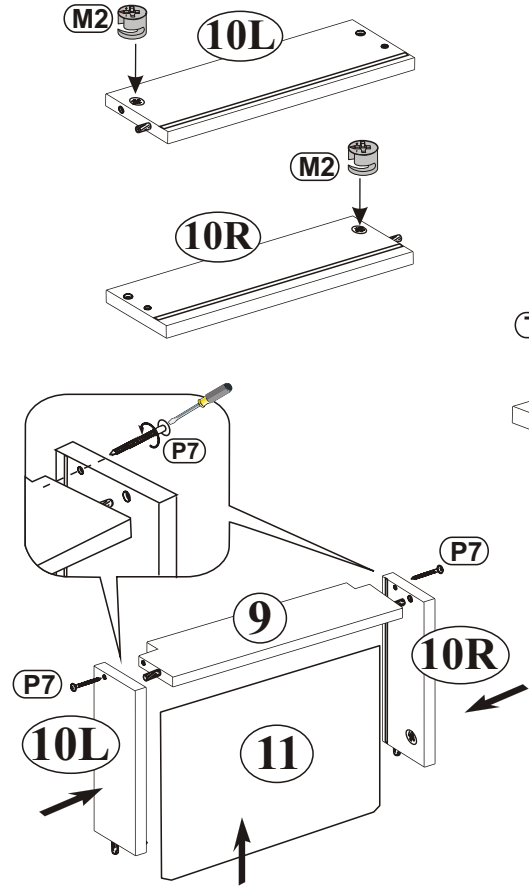
P9--LM97



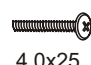

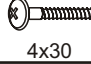
5

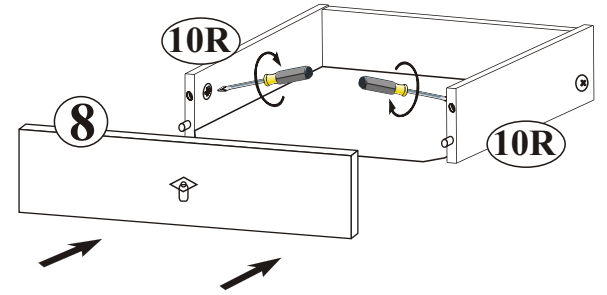
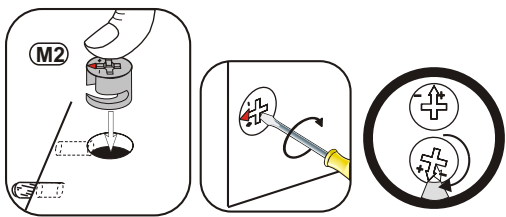
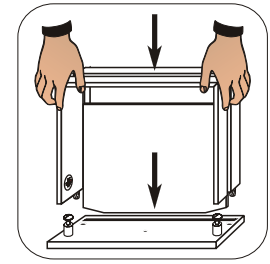
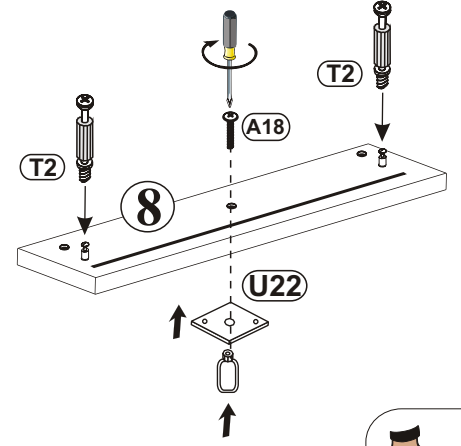
S3  4x25mm X8



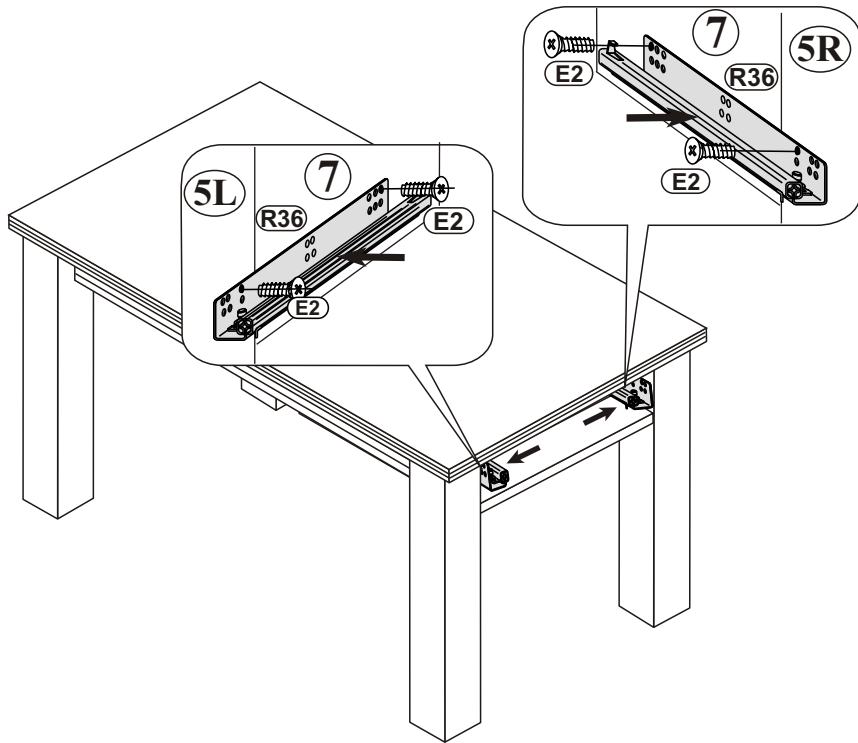
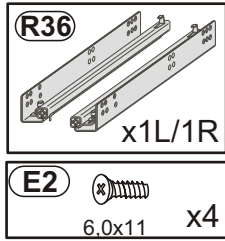
6



U22  X1	T2  X2
A18  4,0x25 X1	M2  X2
P7  4x30 X2	



7



8

