

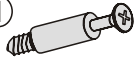



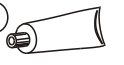
**NR 1**


**(B1)**  8x28 x8


**(M1)**  x8

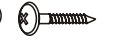
**(T1)**  x8


**(J23)**  x6


**(L1)**  x1


**(P4)**  3,0x20 x6

**(F33)**  x2

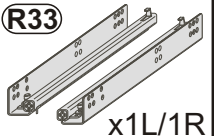
**(P13)**  3,5x13 x8


**(P5)**  4,0x25 x4

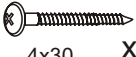
**(P7)**  4x30 x2


**(C2)**  x4


**NR 2**

**(R33)**  x1L/1R

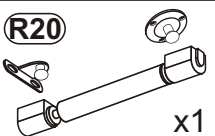
**(E24)**  6,0x11 x4


**(P7)**  4x30 x2

**(T2)**  5x35mm x2


**(M2)**  12x10mm x2


**NR 3**

**(R20)**  x1


**(S3)**  3,5x13 x5


**NR 4**


**(U22)**  x2

**(A18)**  4,0x25 x2

**NR 5**

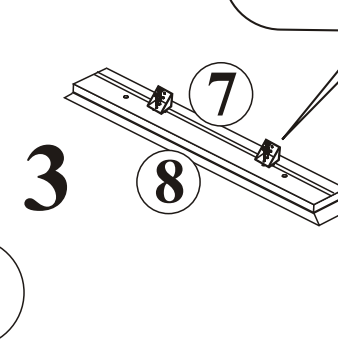
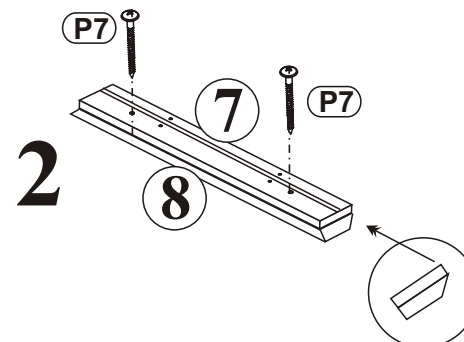
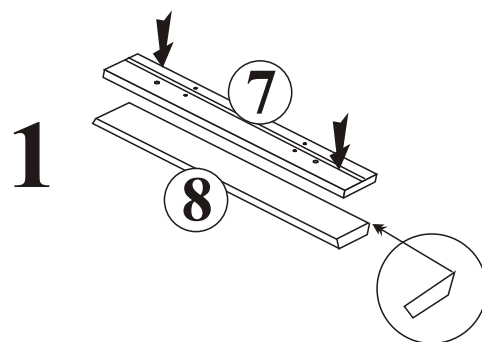
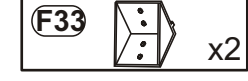
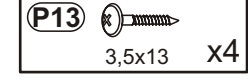
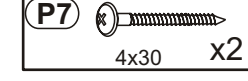
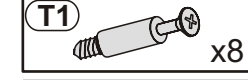
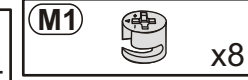
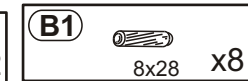
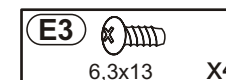
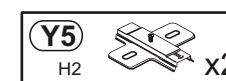
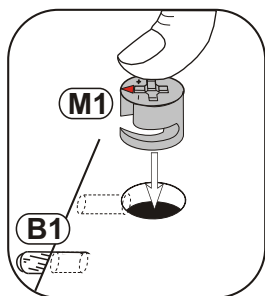
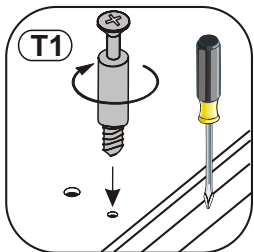
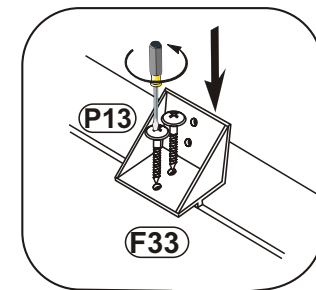
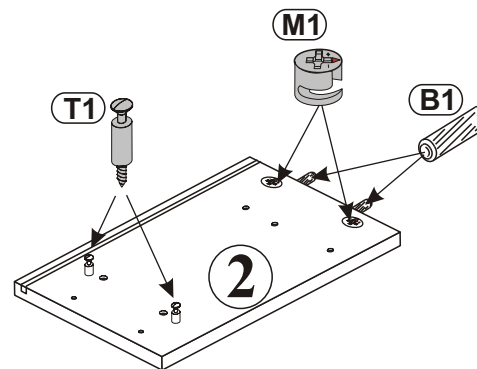
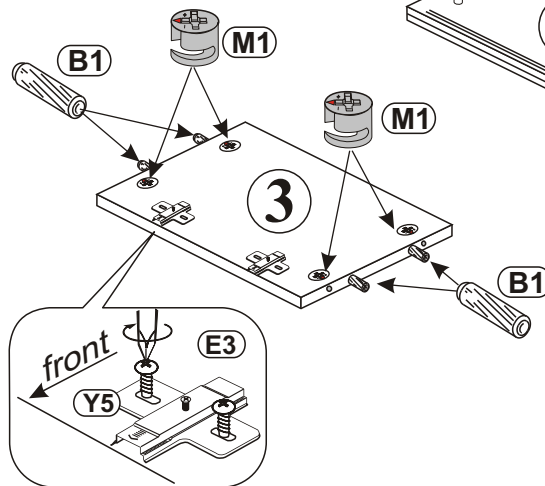
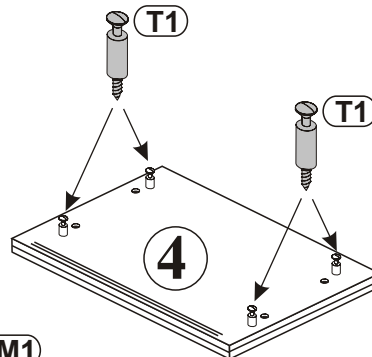
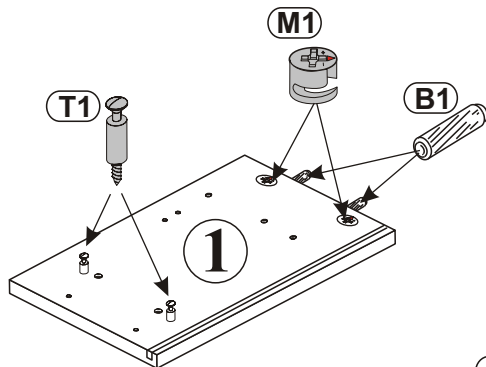
**(Y2)**  Kr8 x2

**(Y5)**  H2 x2

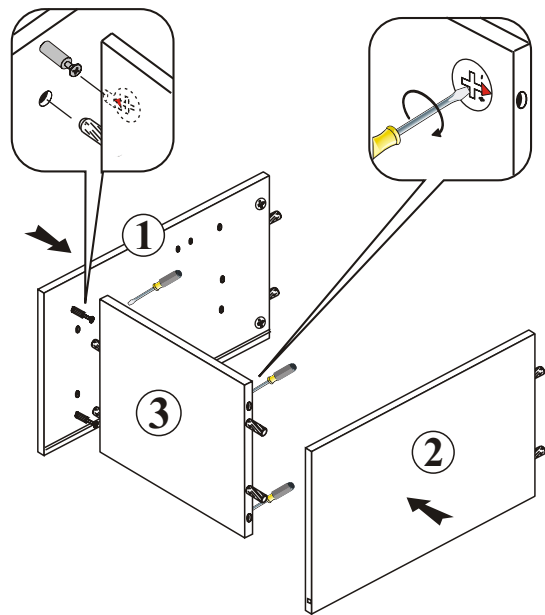
**(E3)**  6,3x13 x8



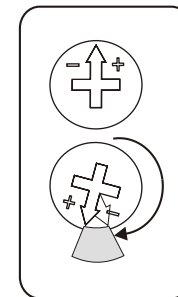
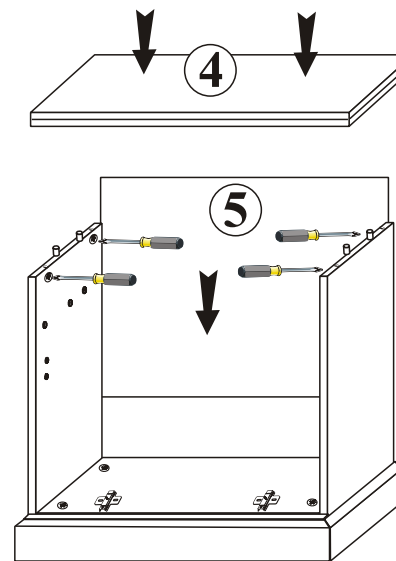
1




2




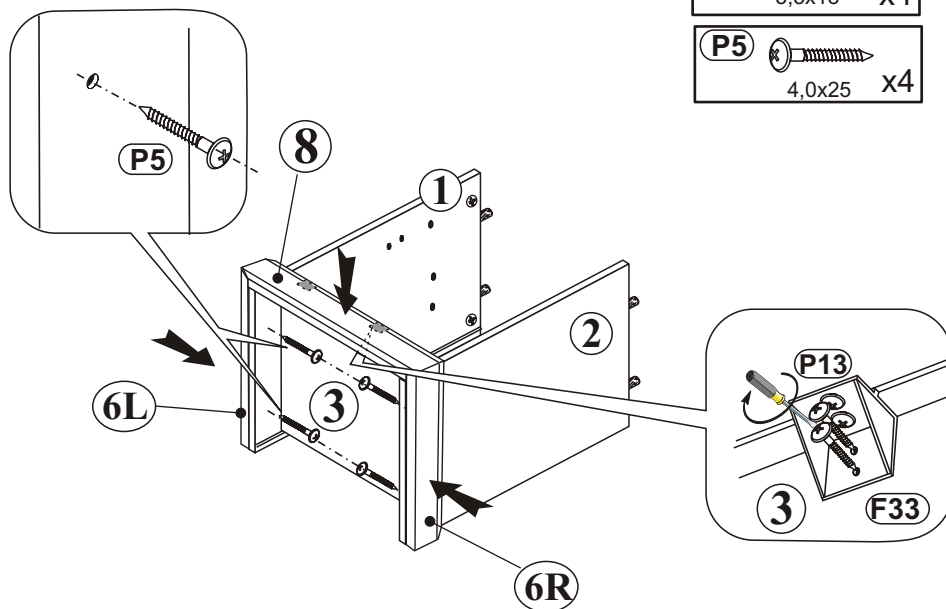
4



3


**P13**  3,5x13 x4

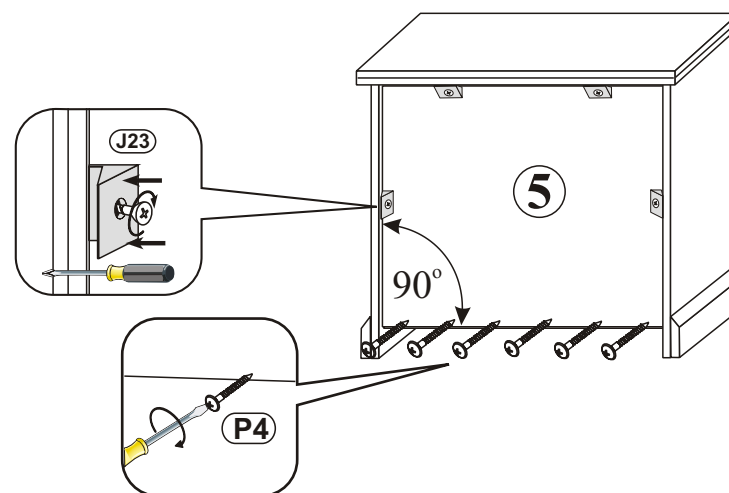
**P5**  4,0x25 x4



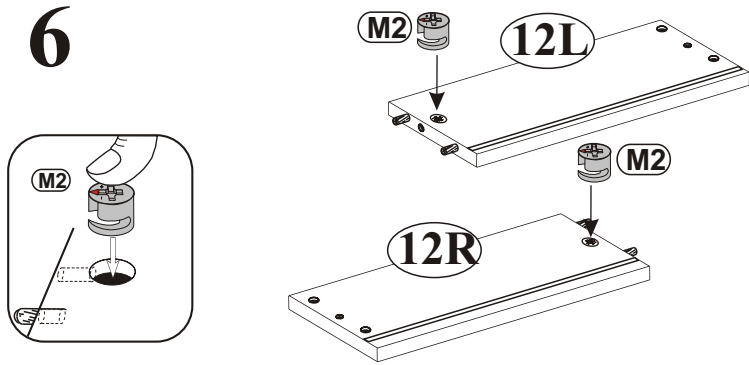
5






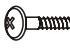

**J23**  x4

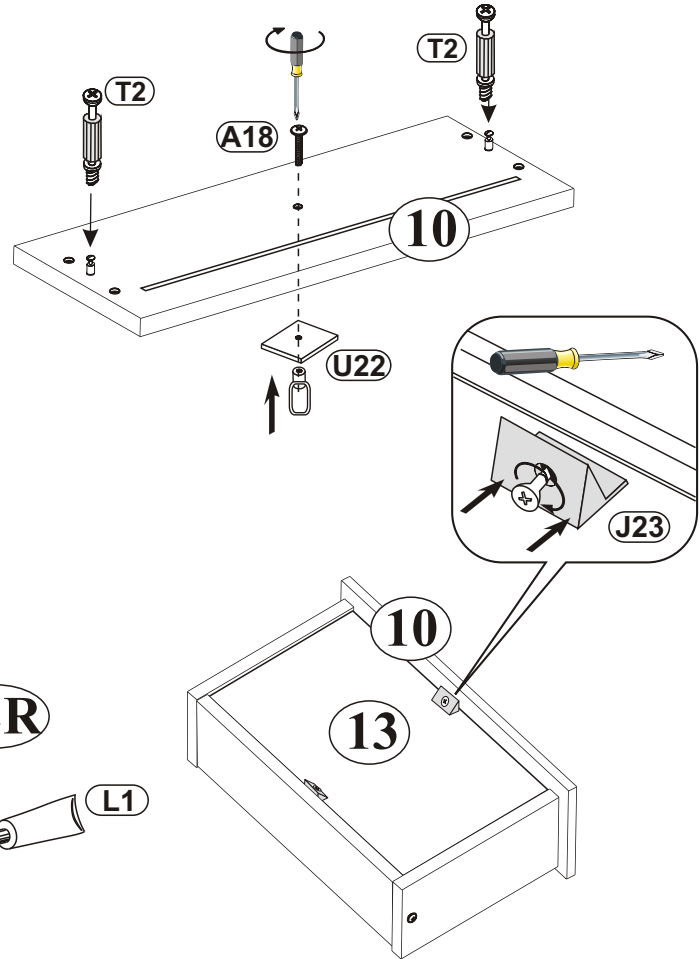
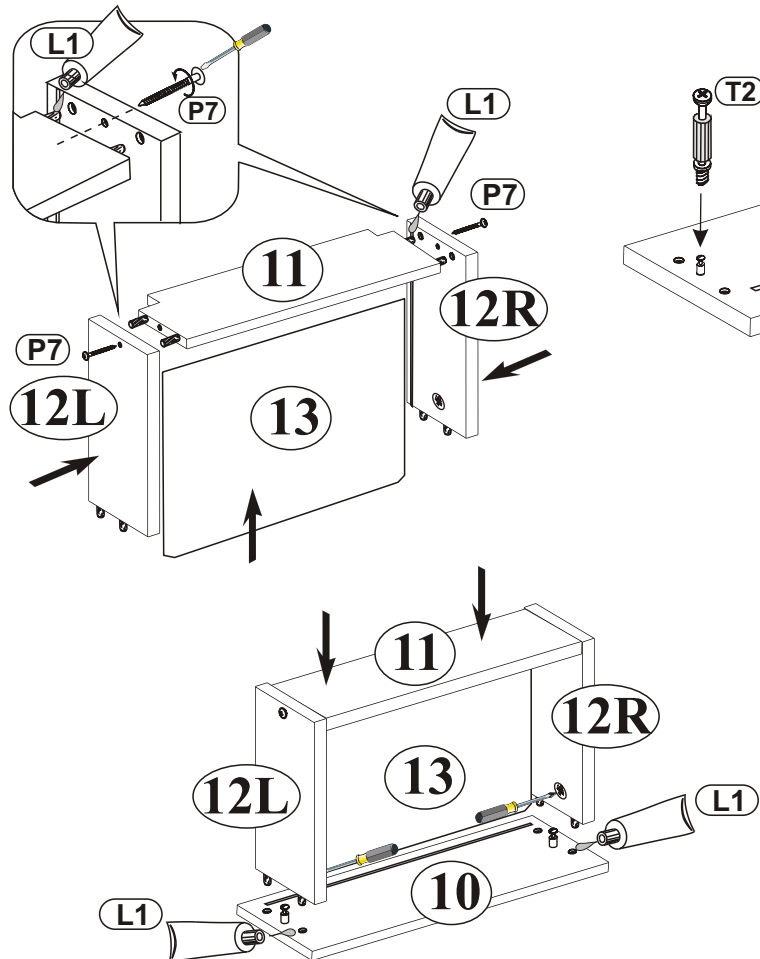
**P4**  3,0x20 x6



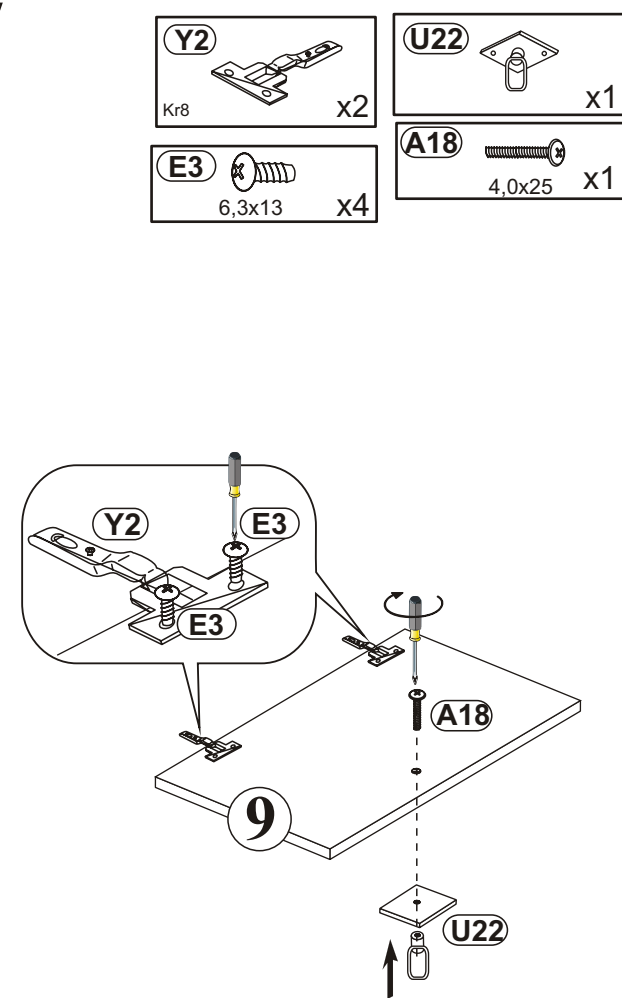
6







- U22  x1
- A18  4,0x25 x1
- J23  x2
- T2  x2
- M2  x2
- P7  4x30 x2
- L1  x1



7



- Y2  x2
- U22  x1
- E3  6,3x13 x4
- A18  4,0x25 x1



# 10

