

**NR 1**

**(B1)** 8x28 x12

**(M1)** x6

**(T1)** x6

**NR 2**

**(U23)** x2

**(A18)** 4,0x22 x4

**NR 3**

**(M2)** x4

**(T2)** x4

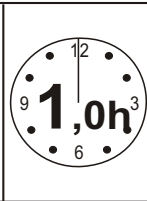
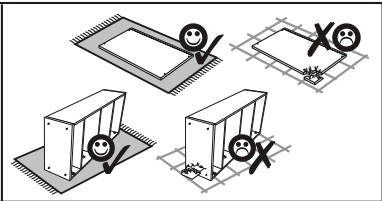
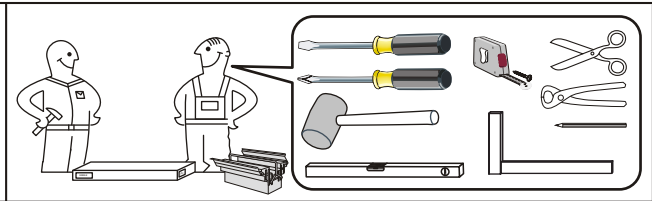
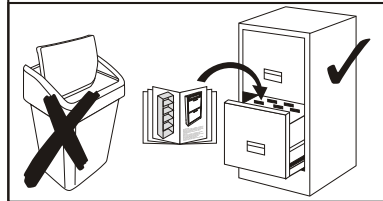
**(R9)** x4/4

**(L1)** Leim x1

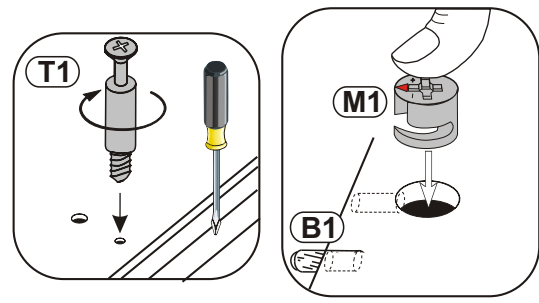
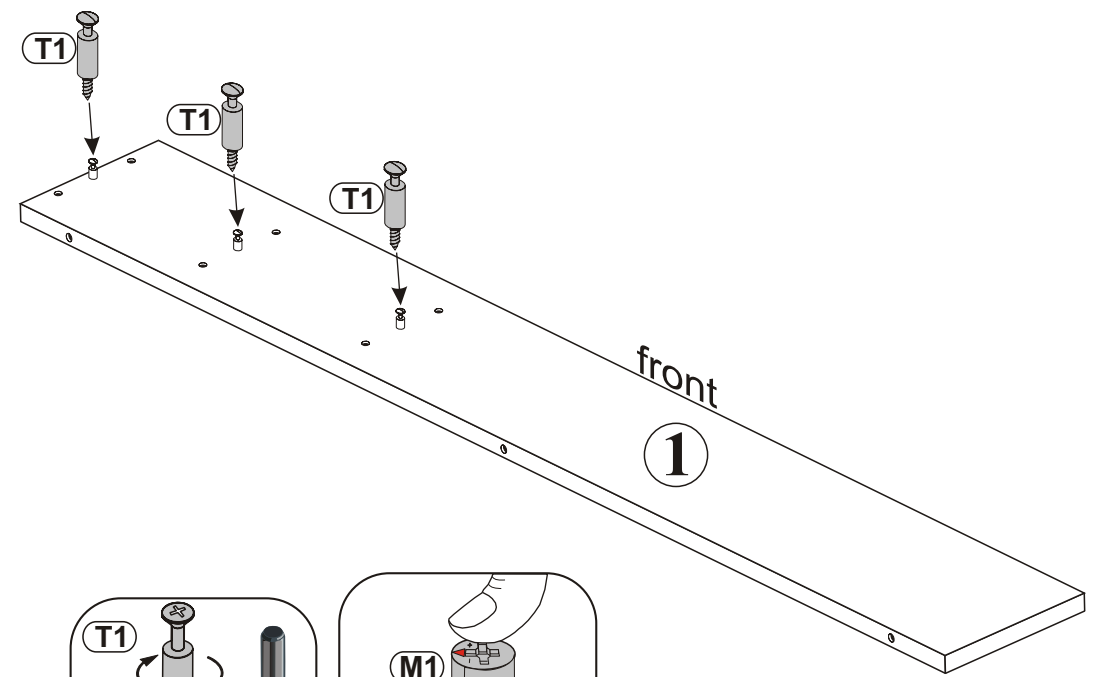
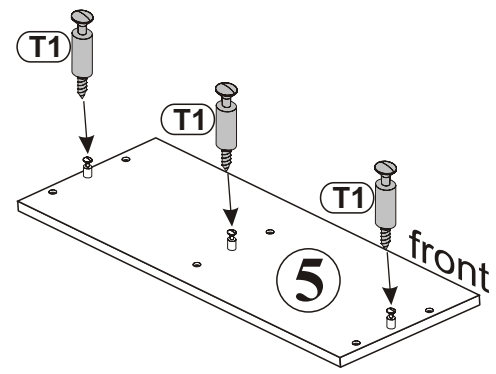
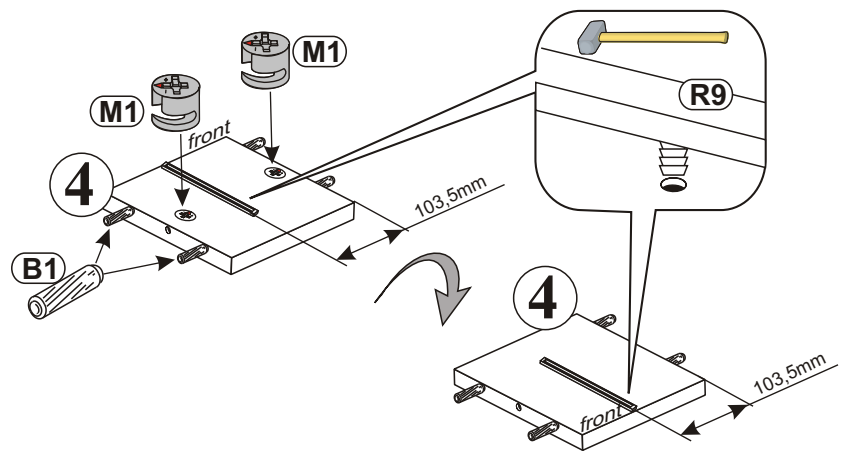
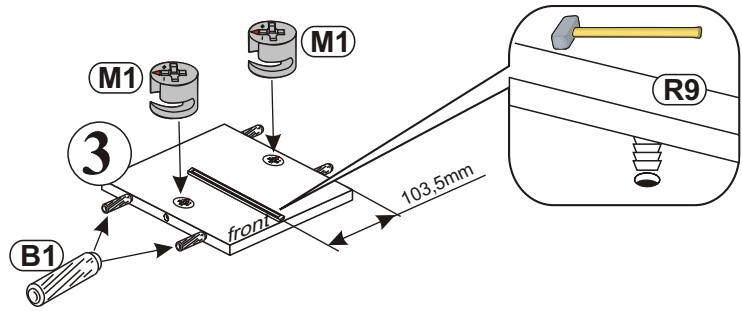
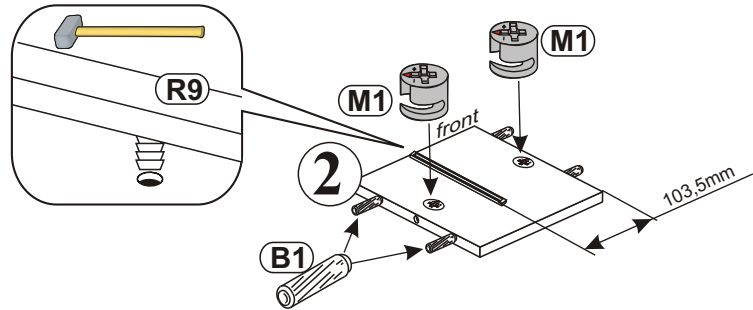
**NR 4**



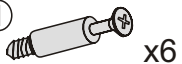
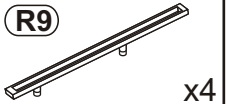
**(T15)** x3

**(T13)** x62 x3



1

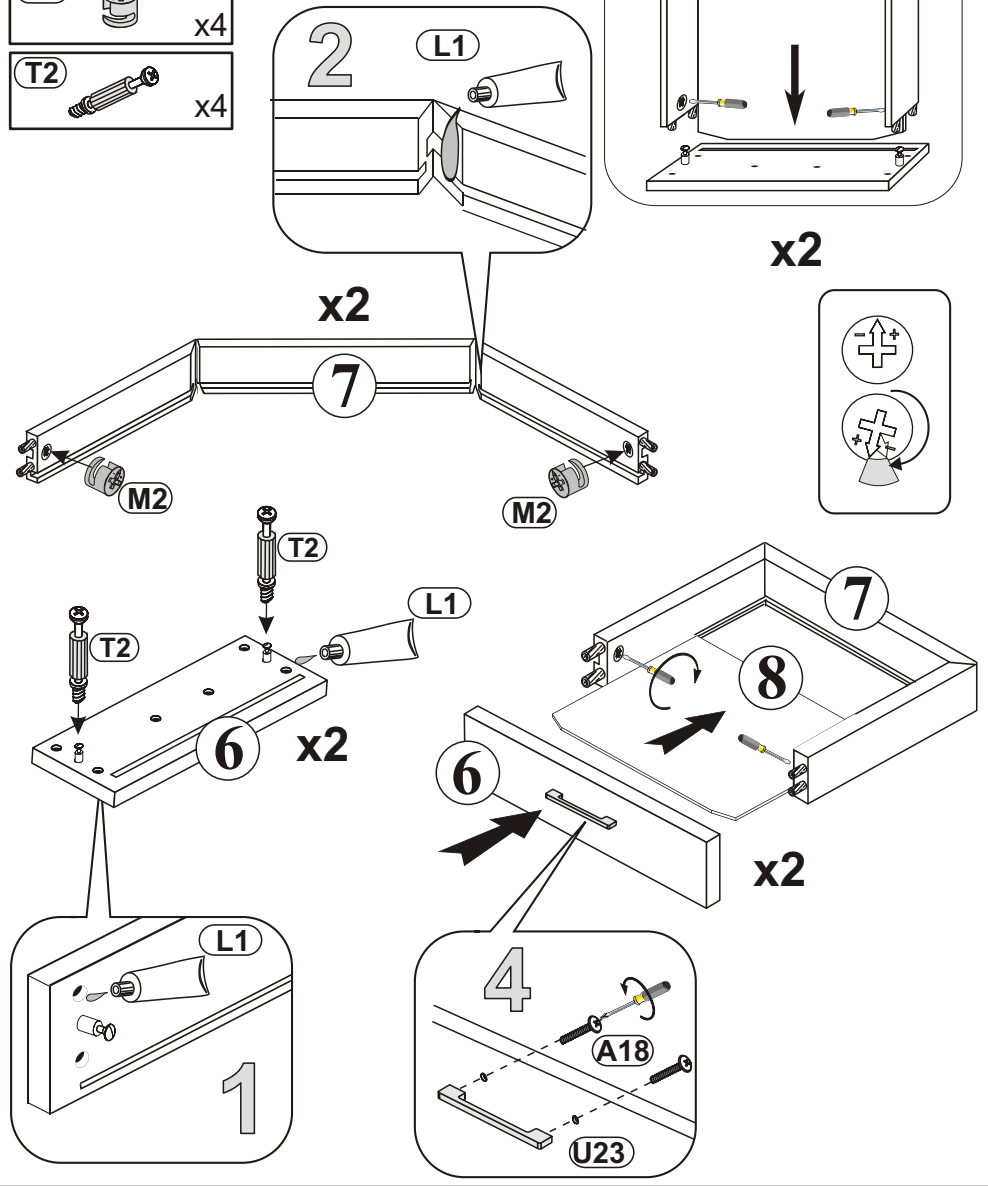


- (B1)**  8x28 x12
- (M1)**  x6
- (T1)**  x6
- (R9)**  x4

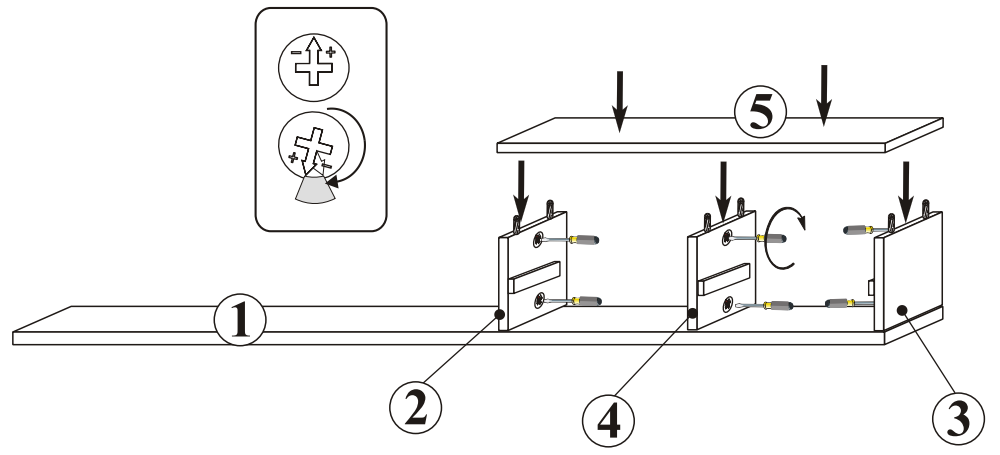
2

- L1 x1
- M2 x4
- T2 x4

- U23 x2
- A18 4,0x22 x4



3



4

