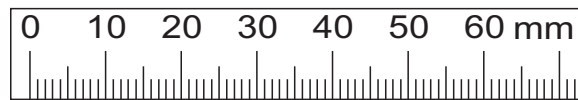
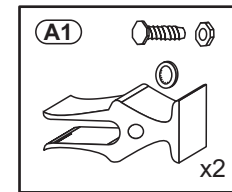
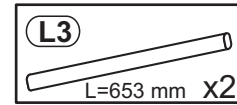
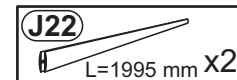
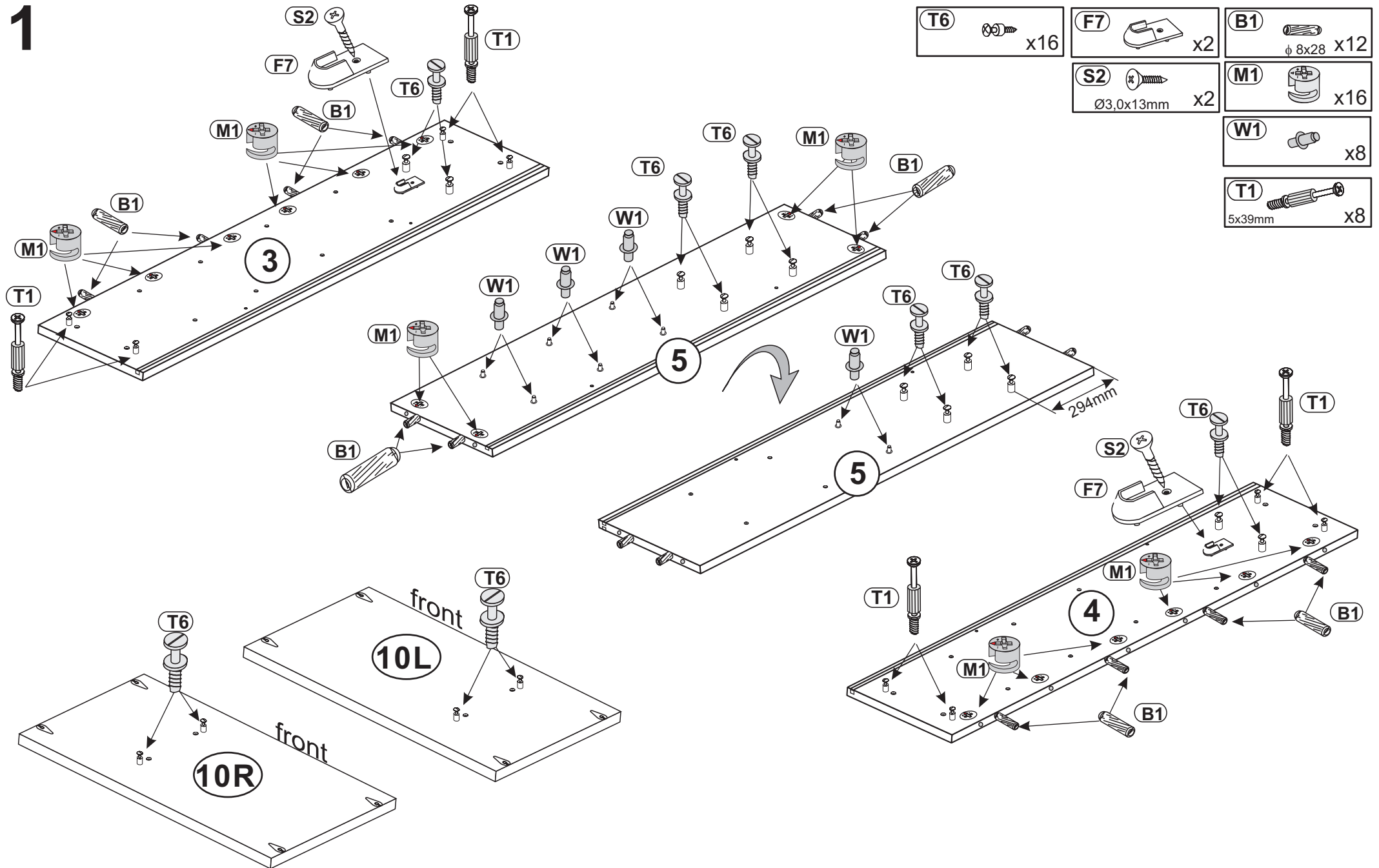


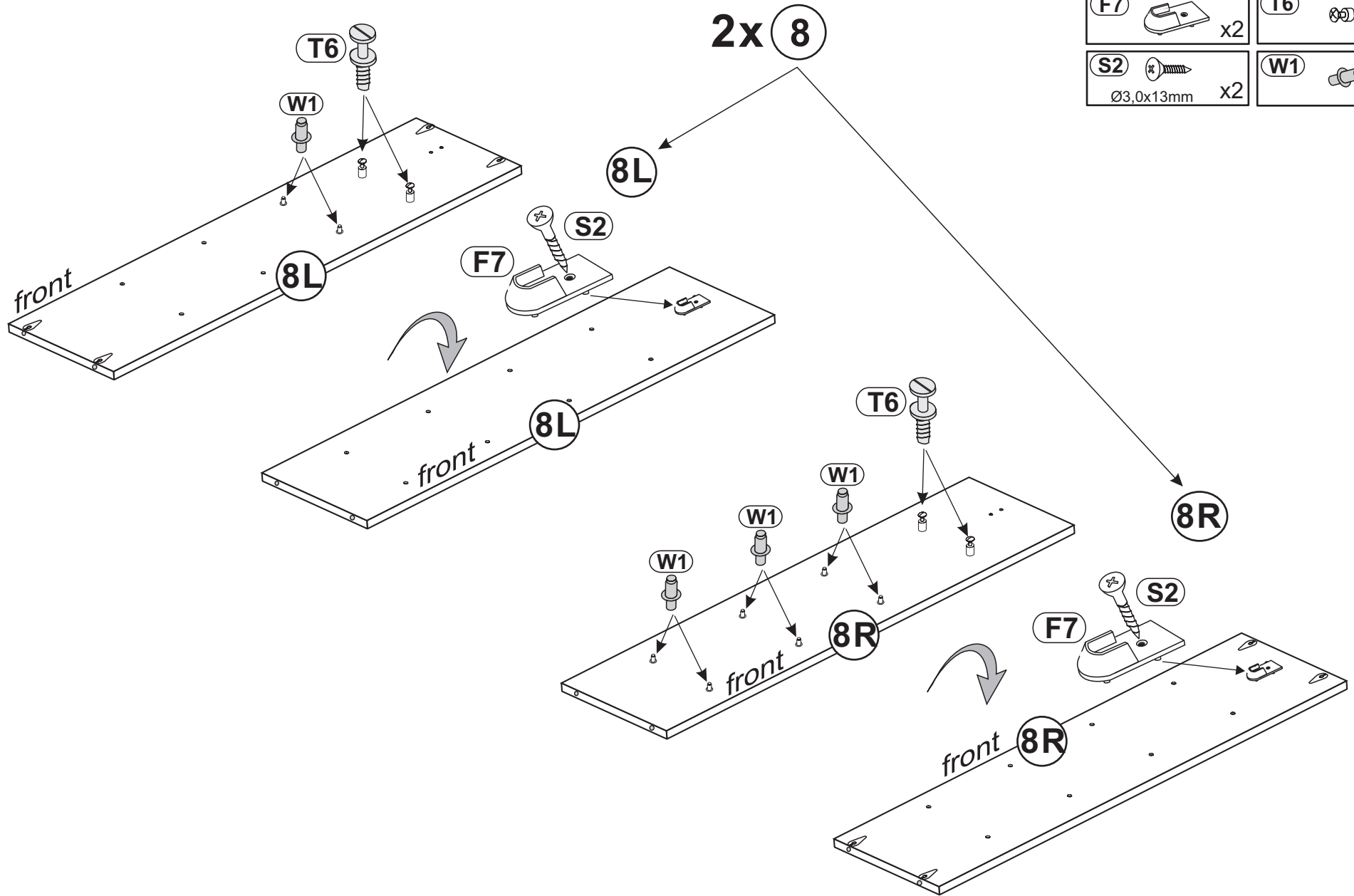
<p>1</p> <p>L1 x1</p> <p>T6 x24</p> <p>M1 x24</p> <p>T1 5x39mm x24</p> <p>B1 ϕ 8x28 x24</p> <p>B2 ϕ 8x35 x4</p> <p>C2 x12</p> <p>C3 x12</p> <p>M6 x20</p> <p>P16 4,2x13 x20</p> <p>W1 x16</p> <p>S7 3,5x40 x7</p> <p>F33 x7</p>	<p>2</p> <p>F7 x4</p> <p>S5 3,0x13 x4</p> <p>F18 x2</p> <p>P13 3,5x13 mm X46</p>	<p>3</p> <p>E9 x1</p> <p>E1 6,3x11 x5</p> <p>E11 x1</p> <p>4</p> <p>E5 x1</p> <p>E1 6,3x11 x5</p>	<p>5</p> <p>E7 x2</p> <p>E1 6,3x11 x10</p> <p>E12 x2</p> <p>S10 3,5x25 x4</p>	<p>6</p> <p>E8 x2</p> <p>E1 6,3x11 x4</p> <p>7</p> <p>E6 x2</p> <p>E1 6,3x11 x4</p>	<p>8</p> <p>S4 3,5x13 x7</p> <p>S5 3,0x13 x124</p> <p>L4 x2</p> <p>L5 L=2052 mm x1</p> <p>L2 L=2052 mm x2</p>	<p>9</p> <p>U22 x2</p> <p>A18 4,0x22 x4</p> <p>10</p> <p>J11 x2</p> <p>P13 3,5x13 mm x4</p>
--	---	---	--	---	--	---



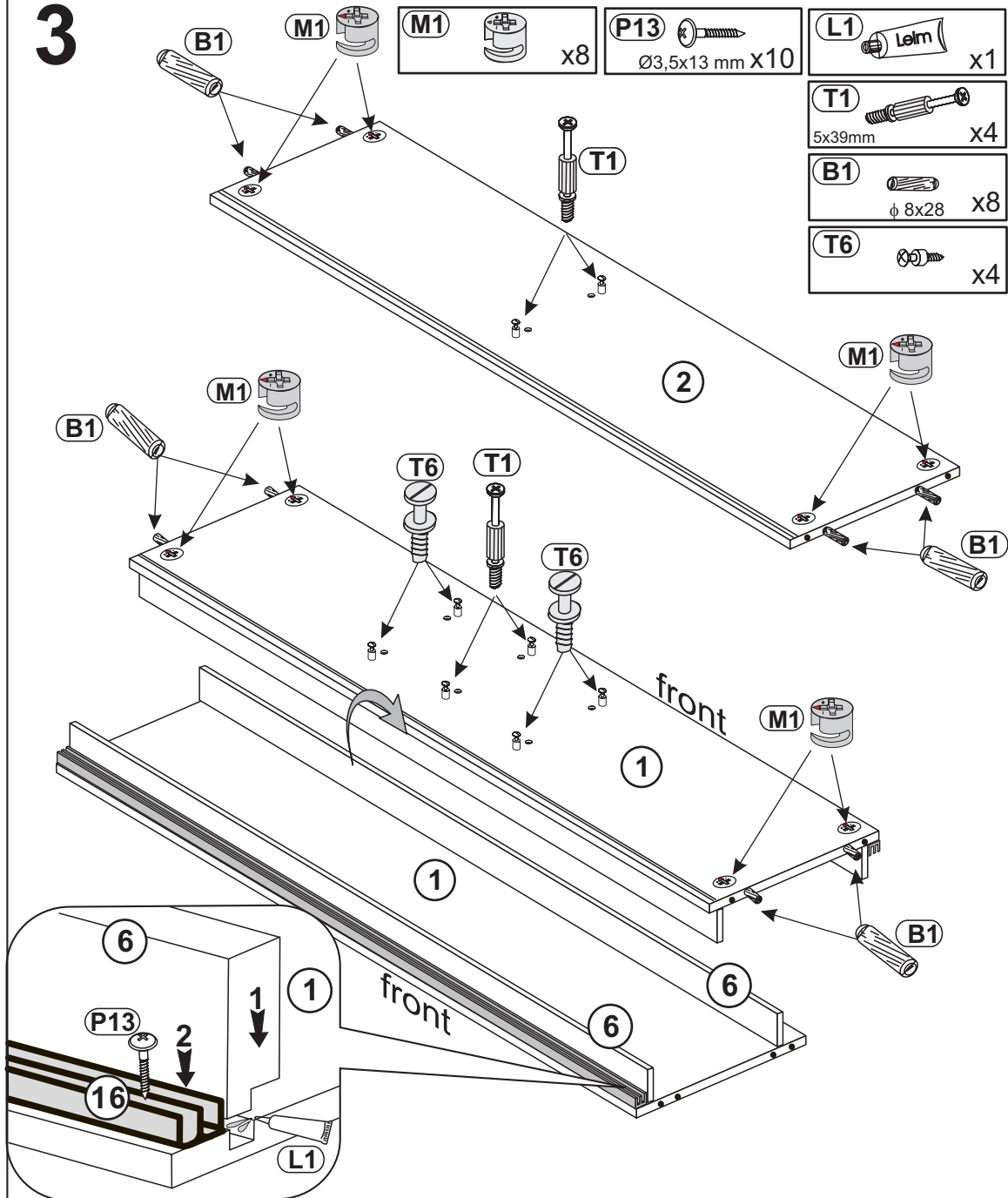
1



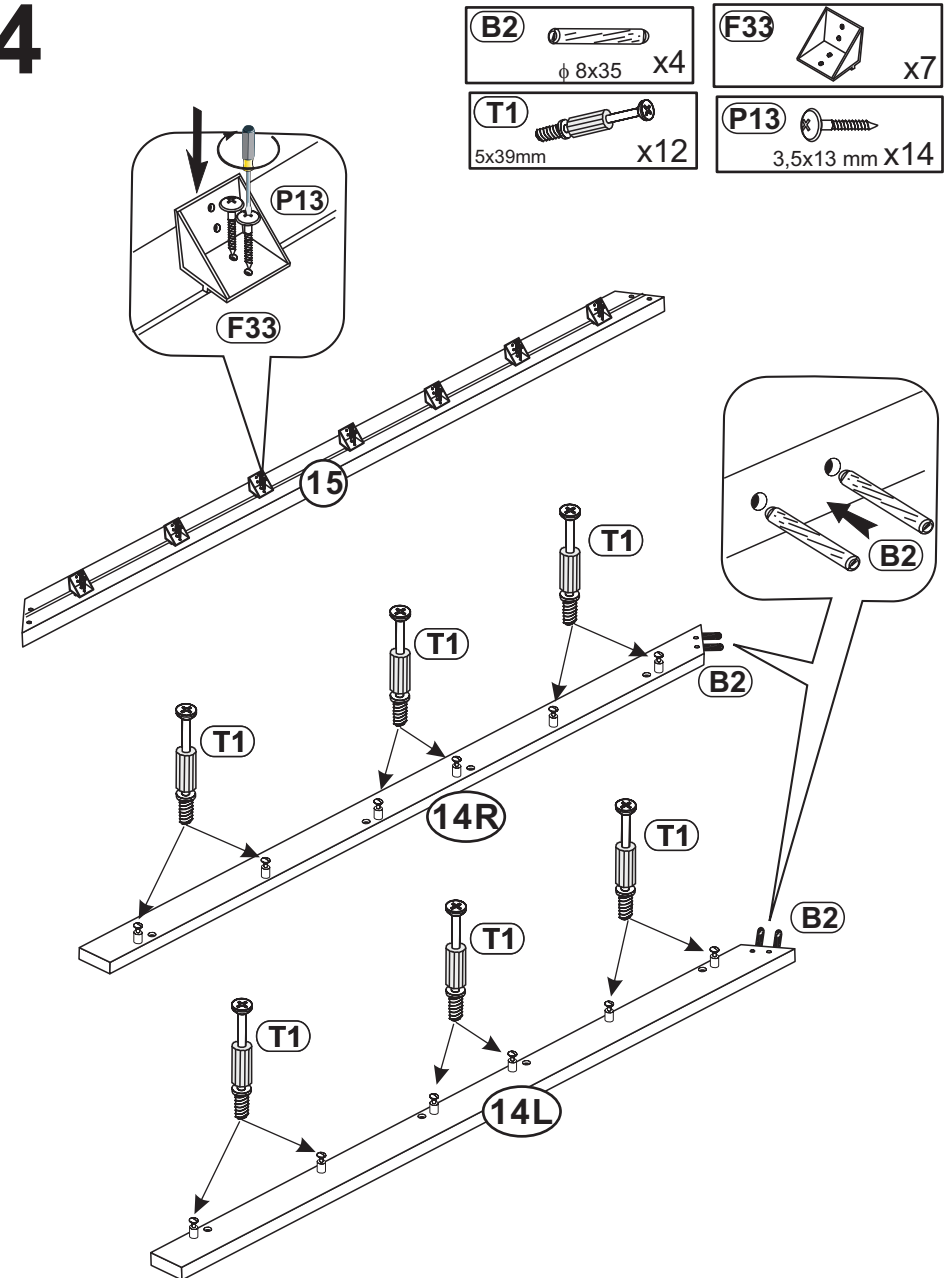
2



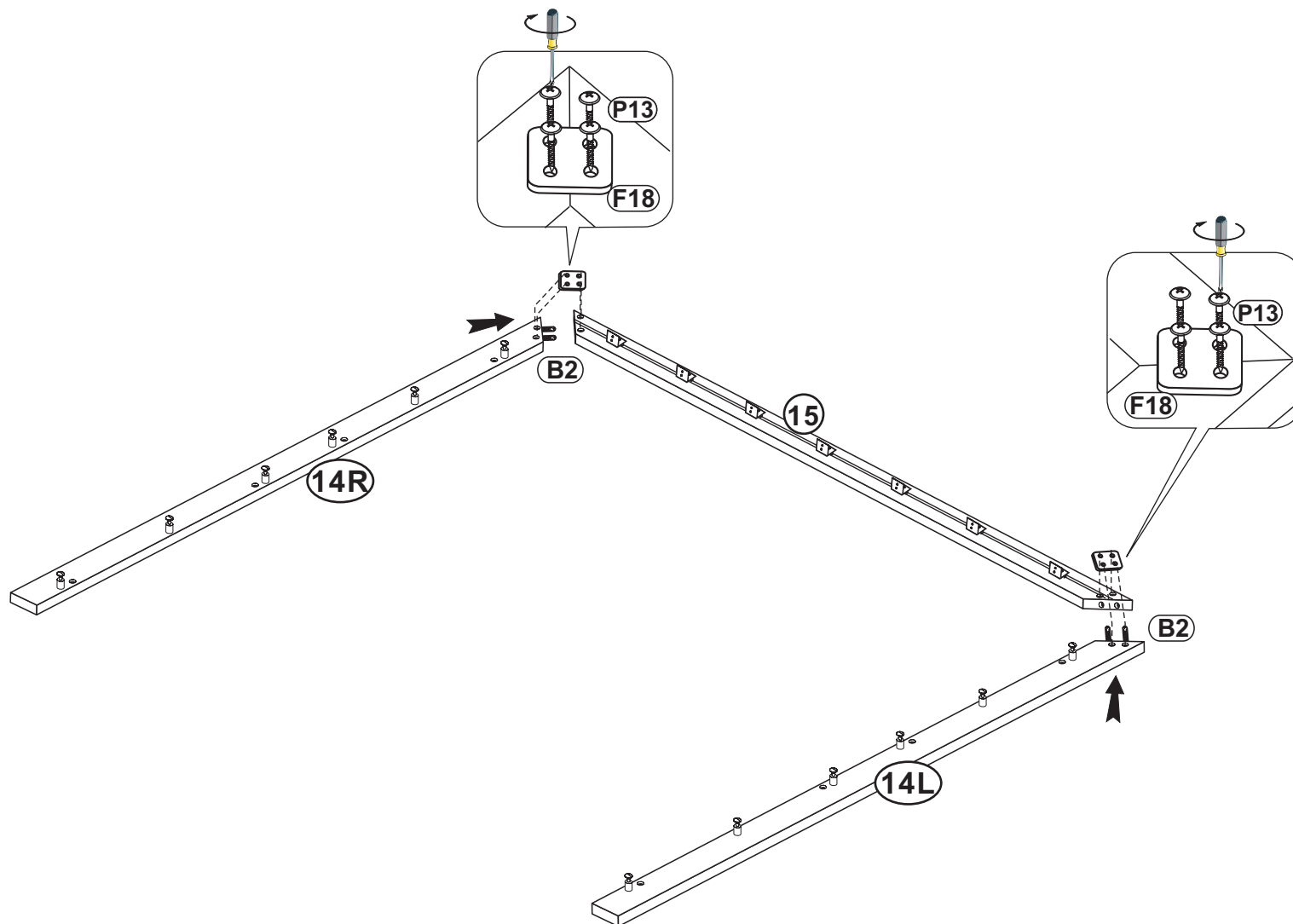
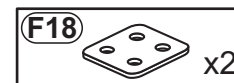
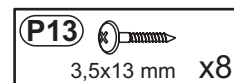
3



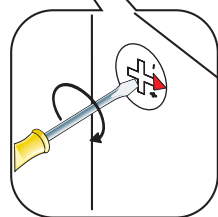
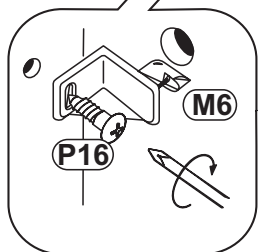
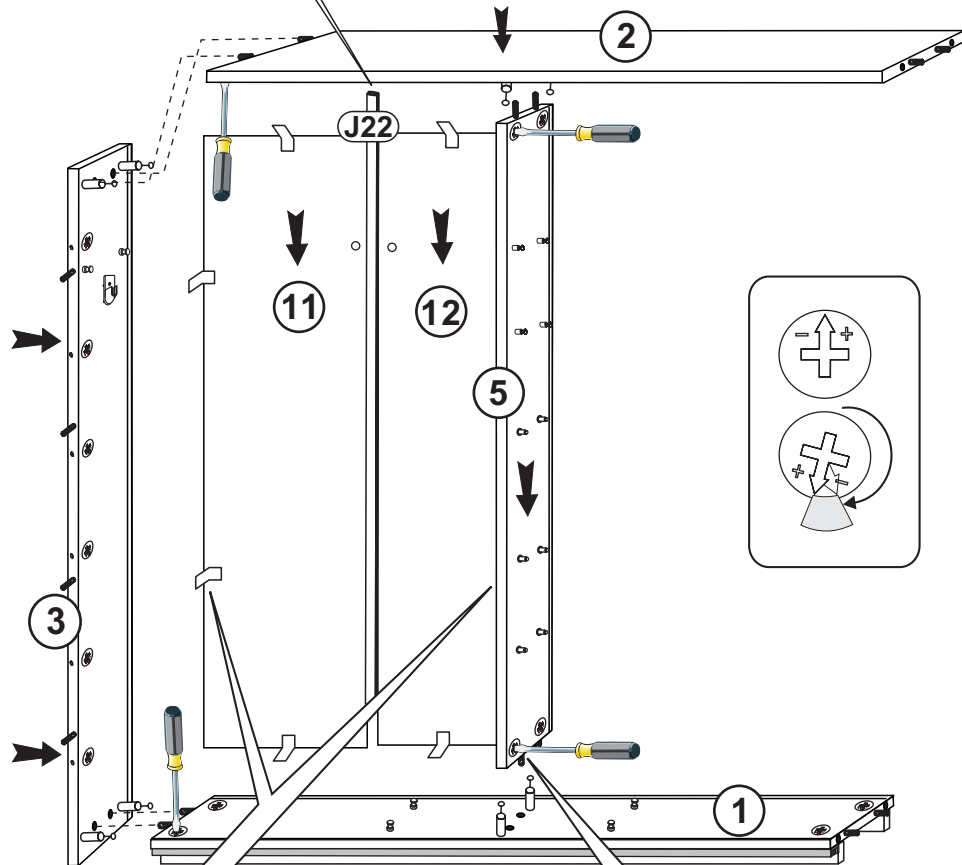
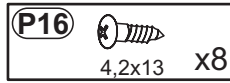
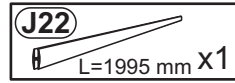
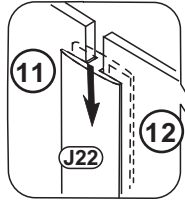
4



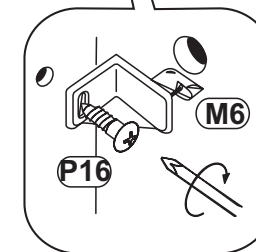
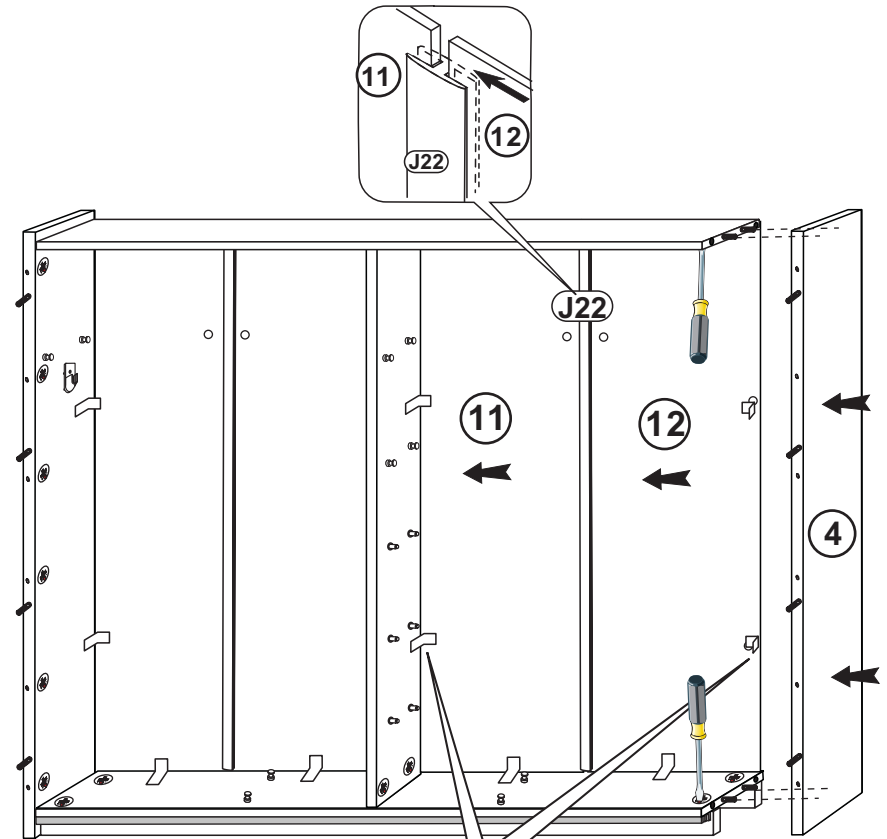
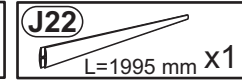
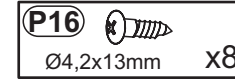
5



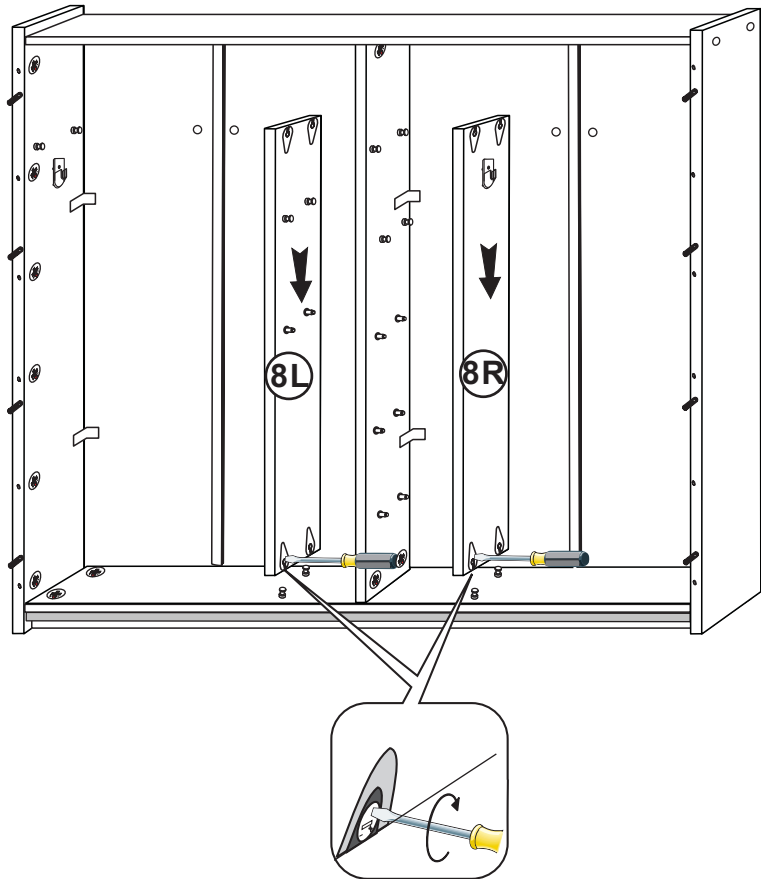
6



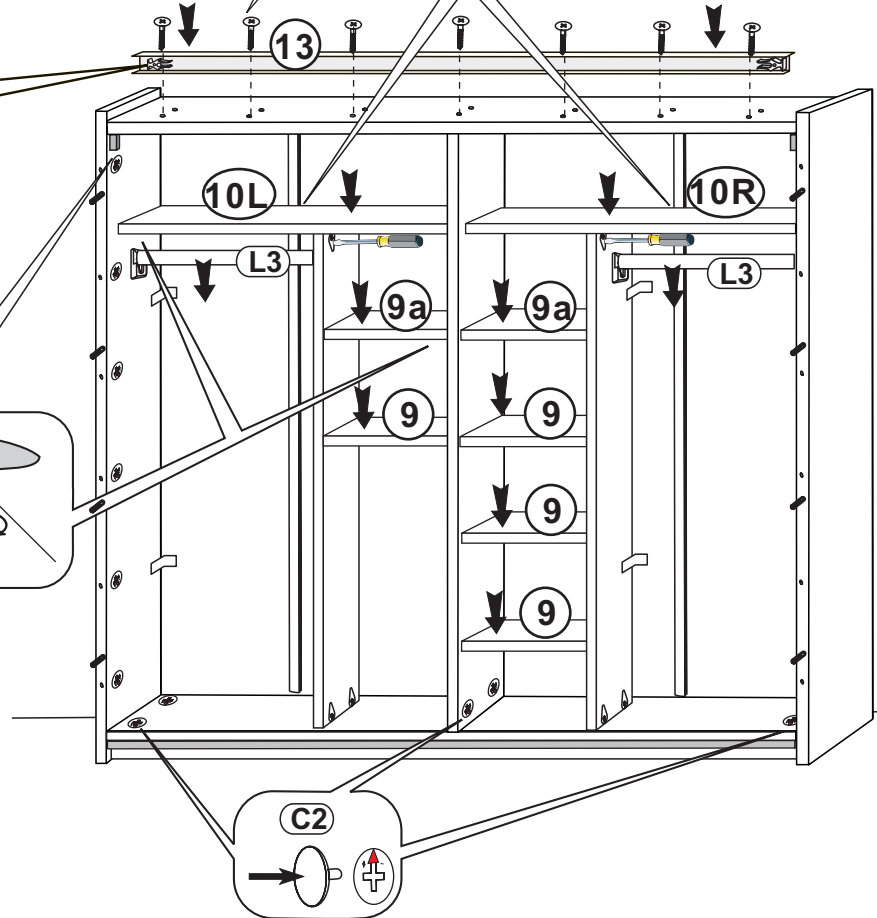
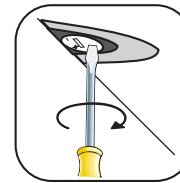
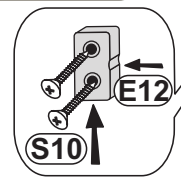
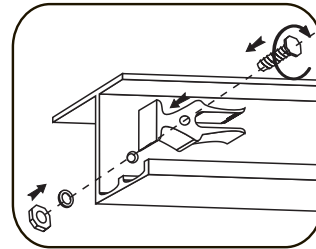
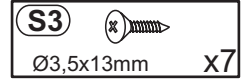
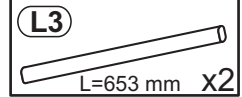
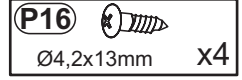
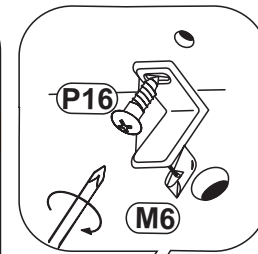
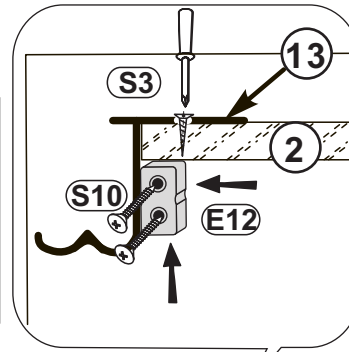
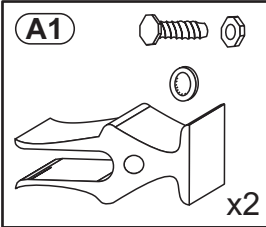
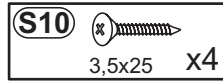
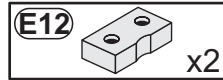
7



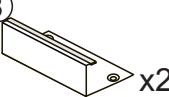
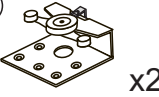



8

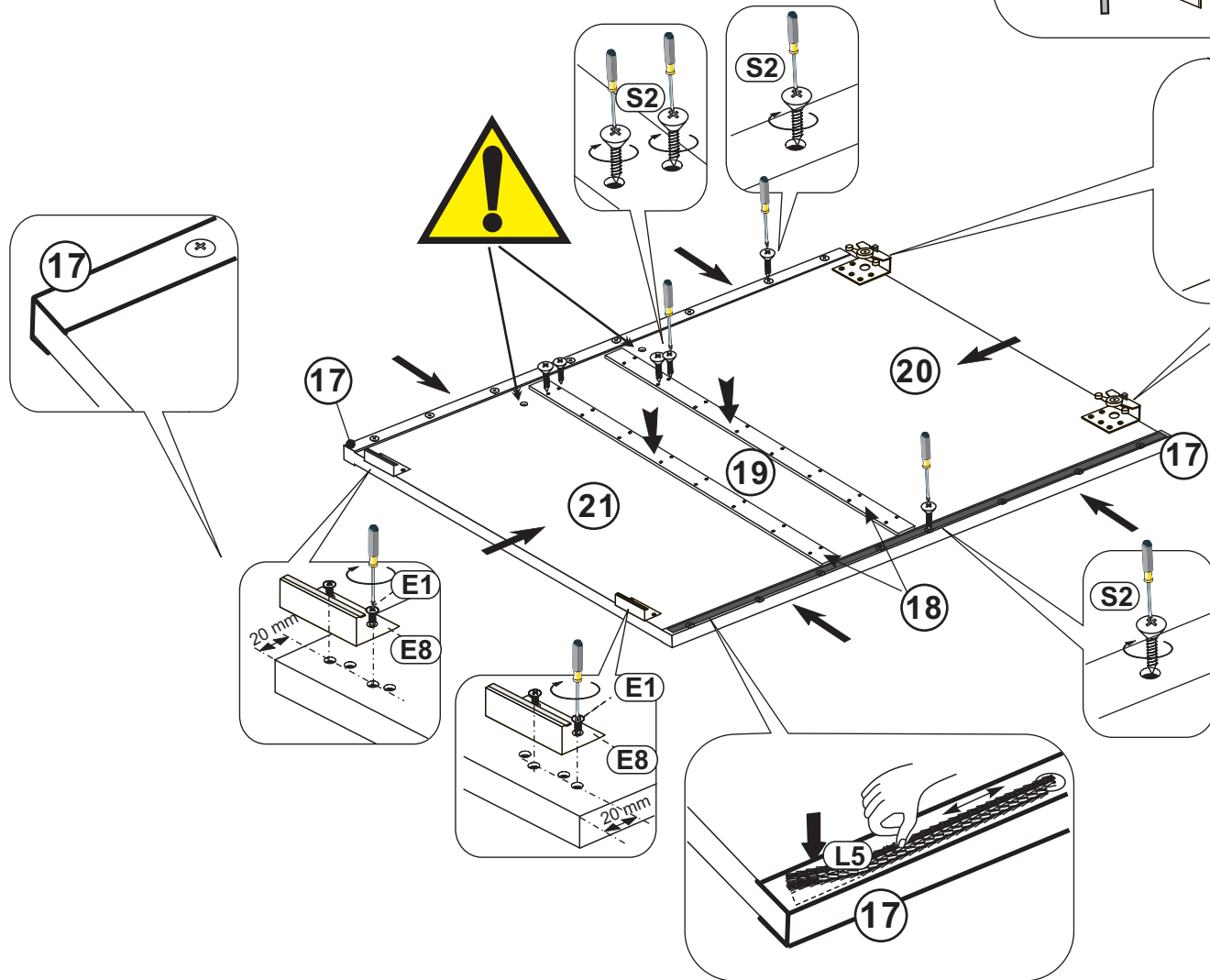
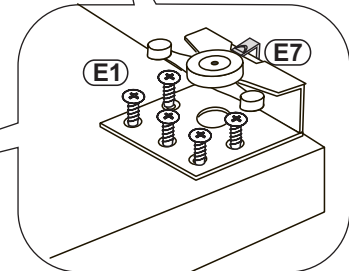
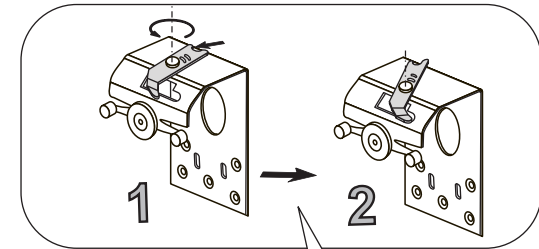


9

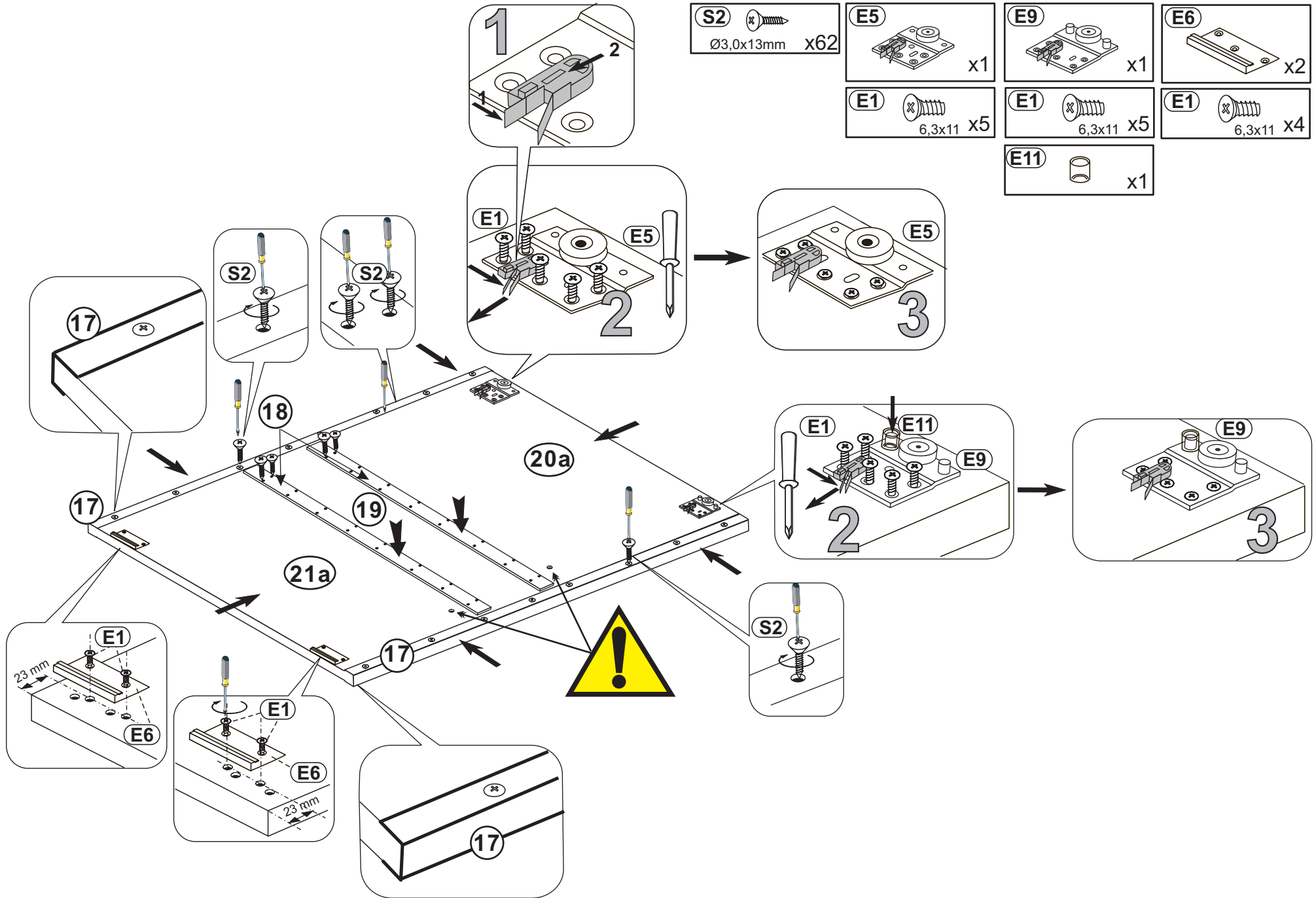


10

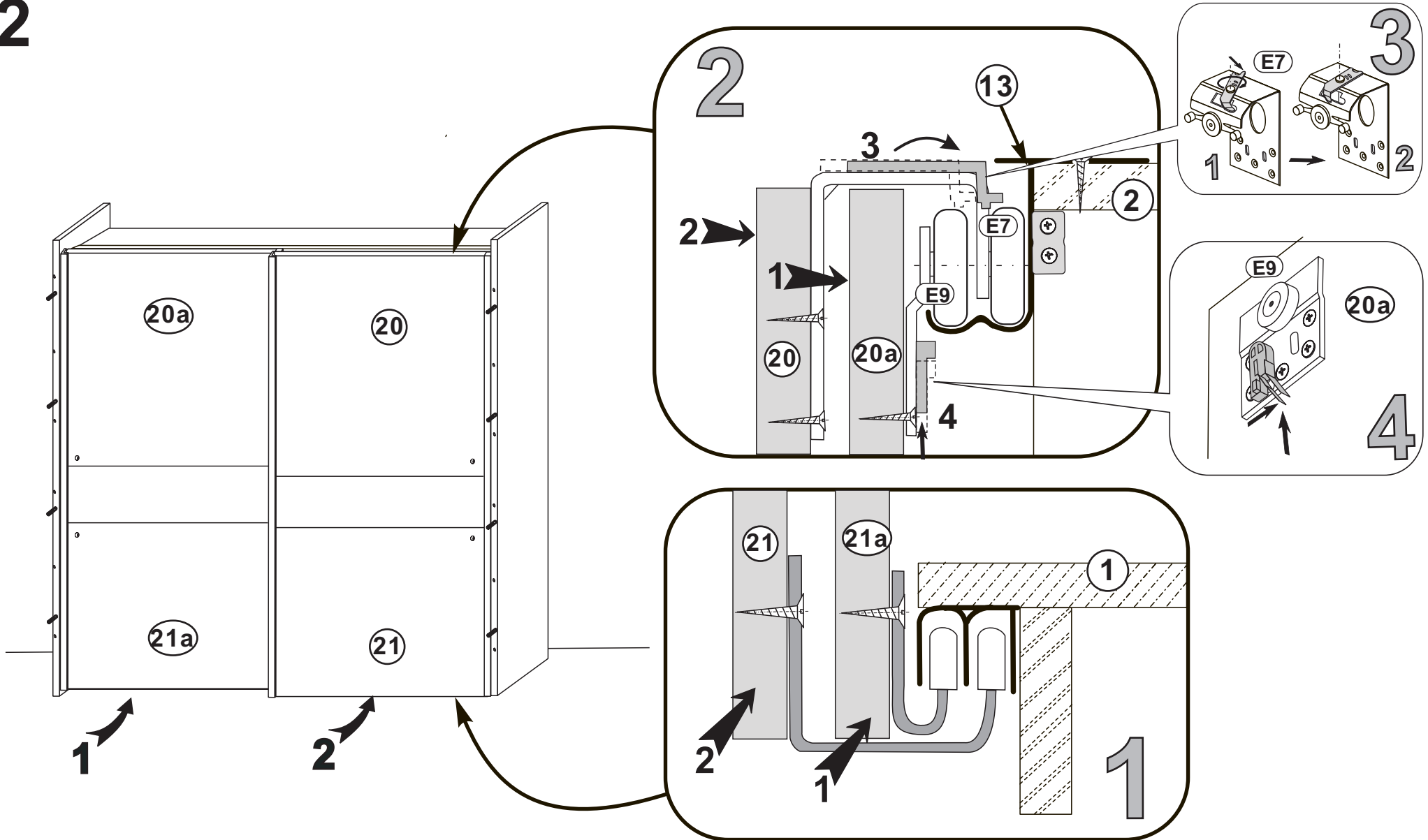
- E8**  x2
- E7**  x2
- L5**  x1
L=2052 mm
- S2**  Ø3,0x13mm x62
- E1**  6,3x11 x14



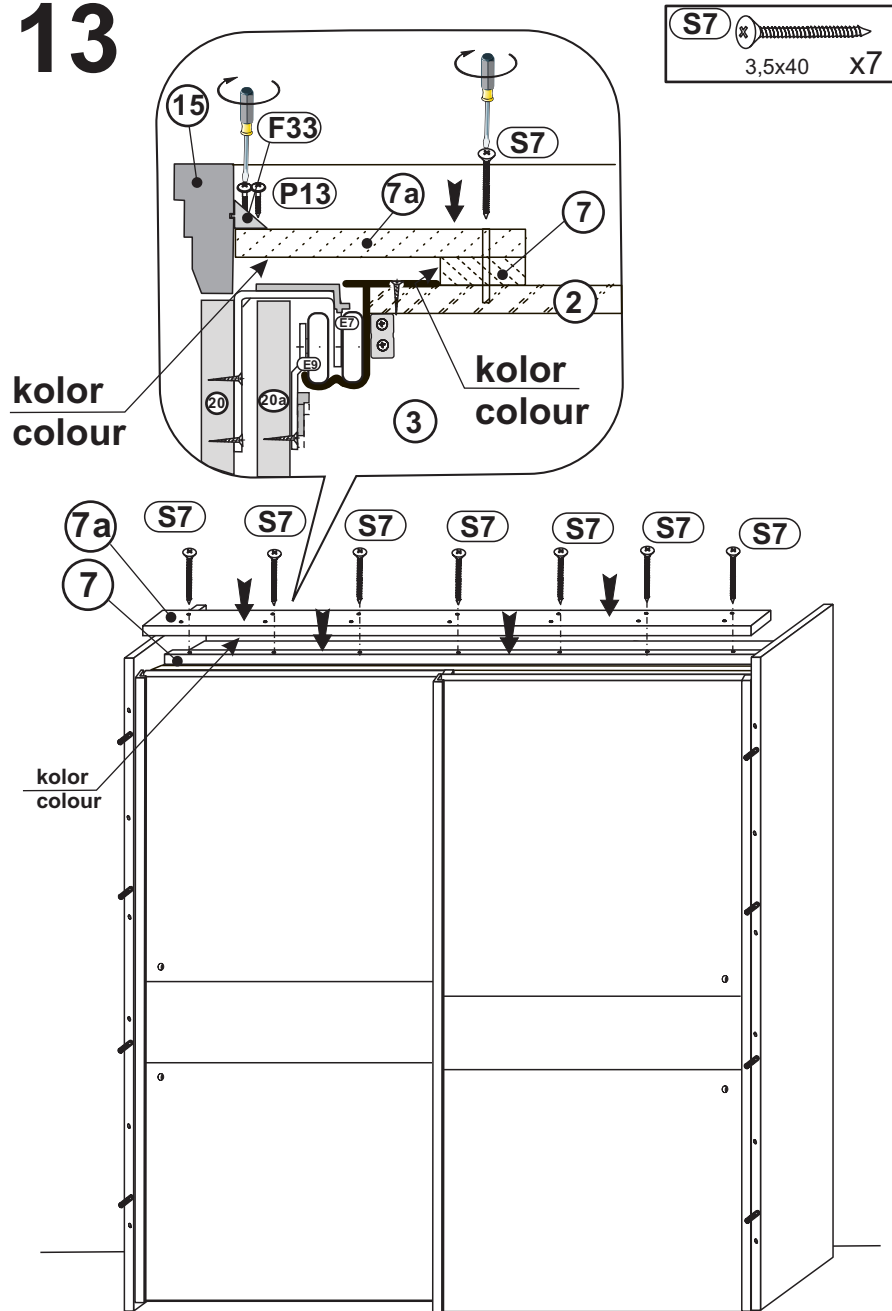
11



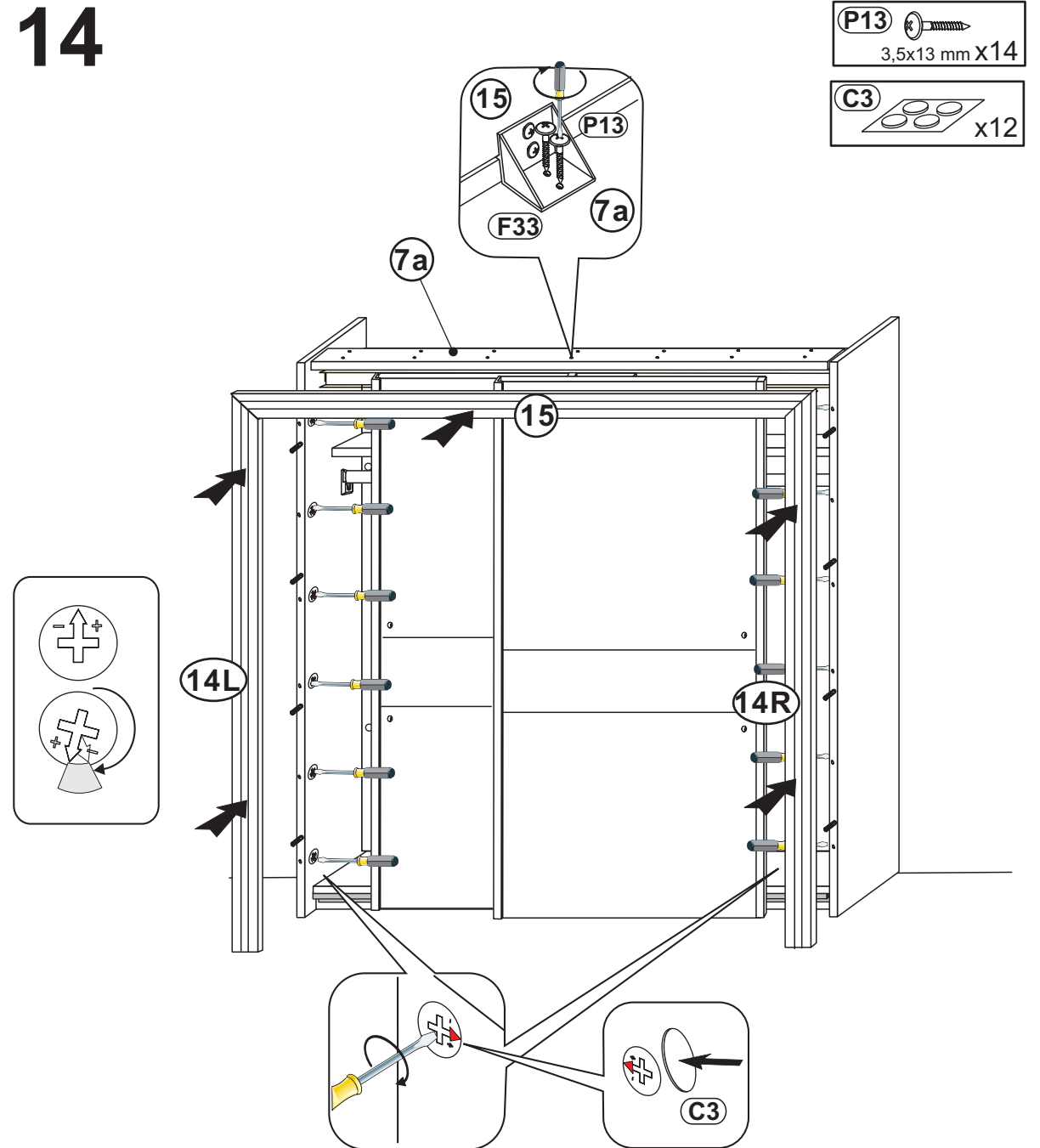
12



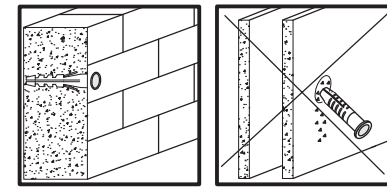
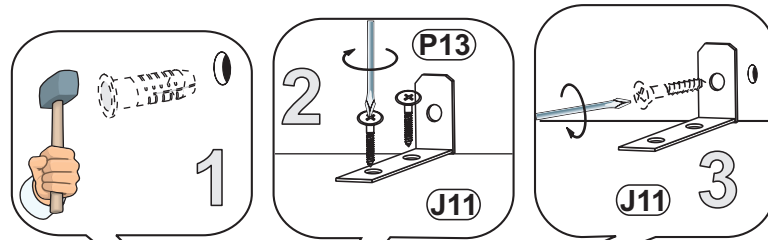
13



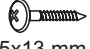

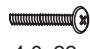



14



15



- (L4)**  x2
- (J11)**  x2
- (P13)**  3,5x13 mm x4
- (U22)**  x2
- (A18)**  4,0x22 x4
- (L2)**  x2
L=2052 mm

