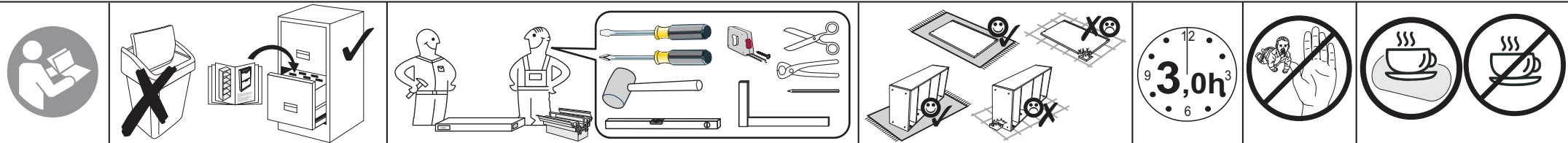


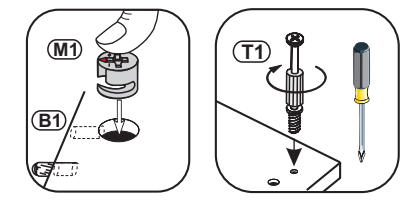
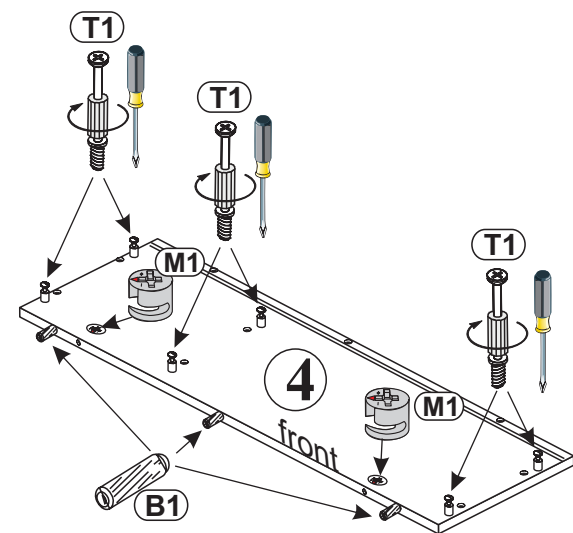
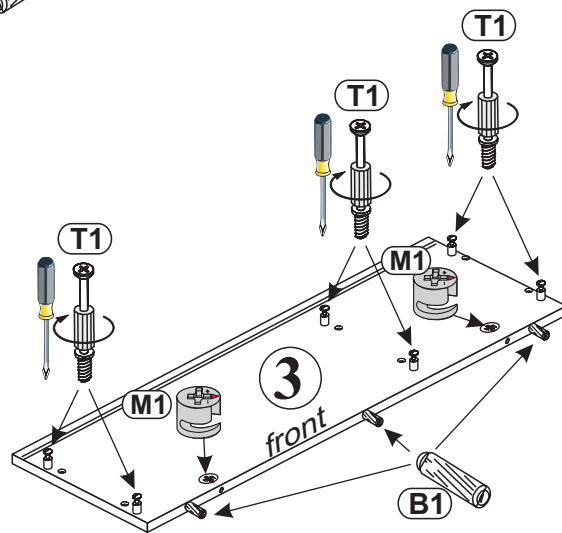
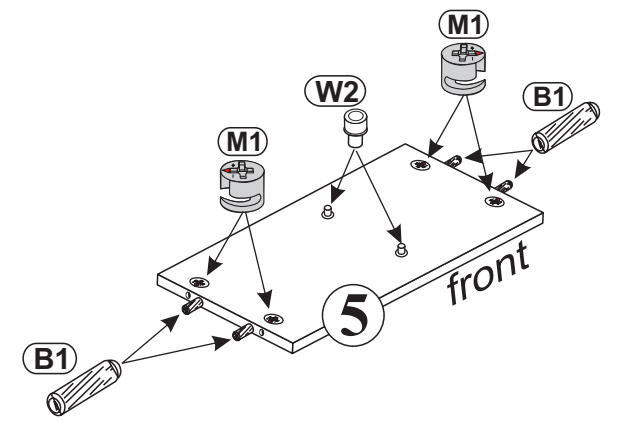
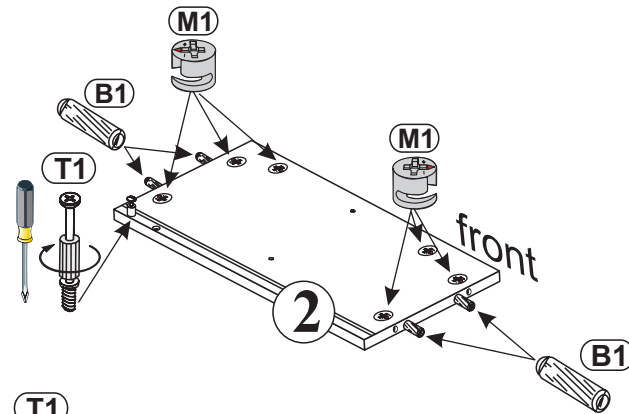
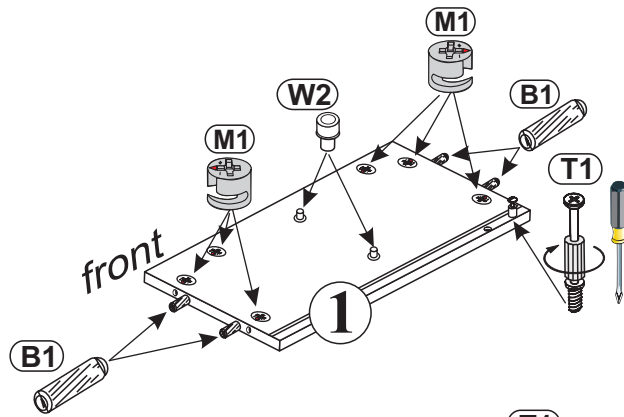
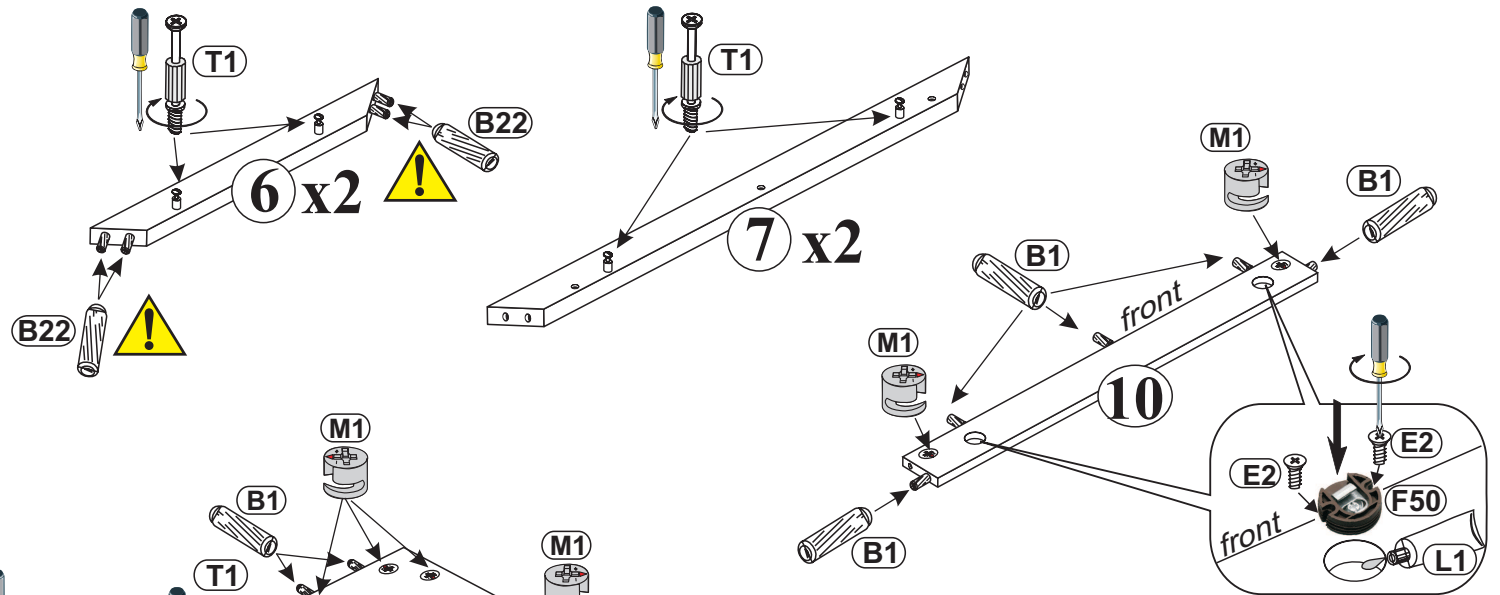
NR 1	
B1	ϕ 8x28 x23
B22	ϕ 8x35 x8
M1	ϕ 15x12mm x22
T1	5x39mm x22
C2	x20
J23	x8
S6	3,0x20 x2
W2	x4
T10	x2
F50	x2
E2	6x8 x4
L1	x1

NR 2	
O20	x1
O21	x1

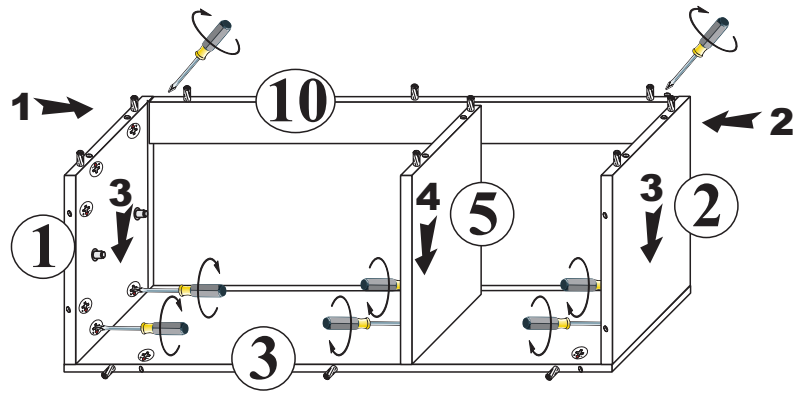


1

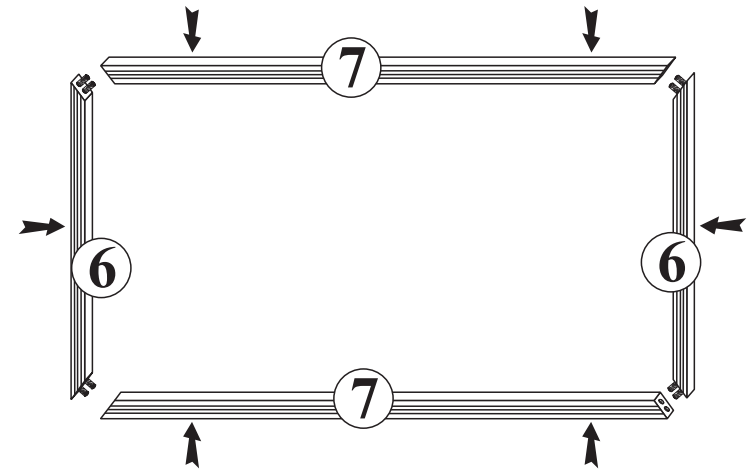
T1 5x39mm x22	B1 φ 8x28 x23
W2 x4	M1 φ15x12mm x22
F50 x2	L1 x1
E2 6x8 x4	B22 φ 8x35 x8



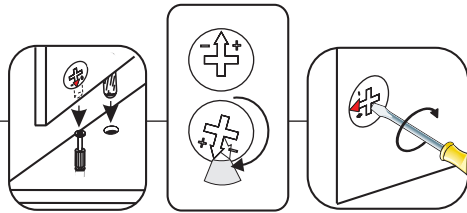
2



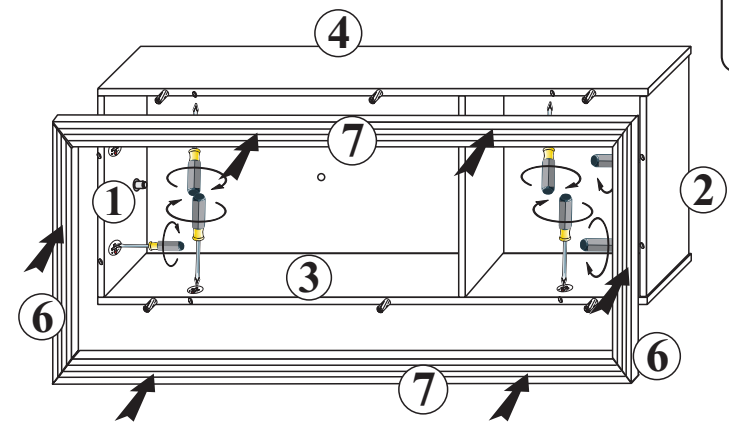
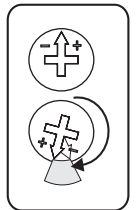
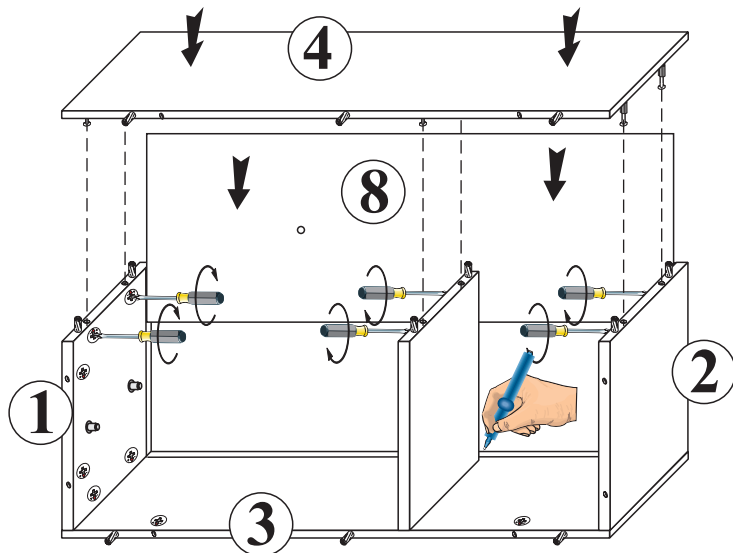
4



3

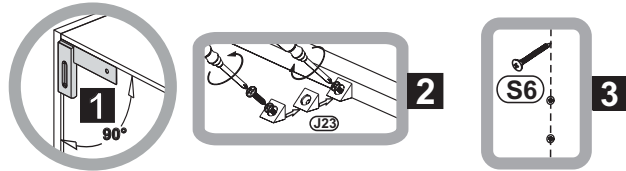
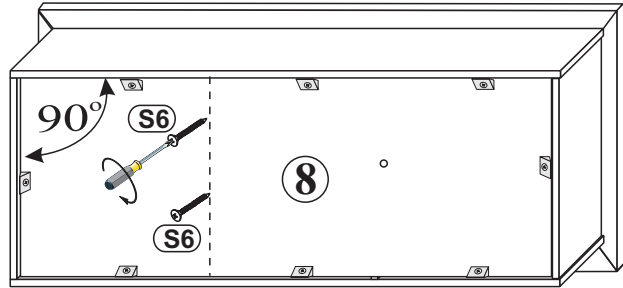


5

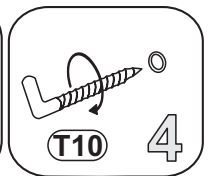
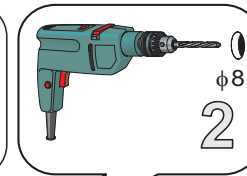
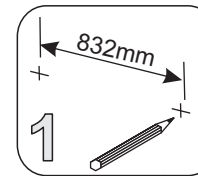
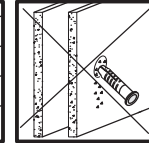
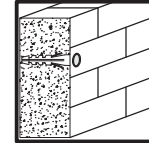
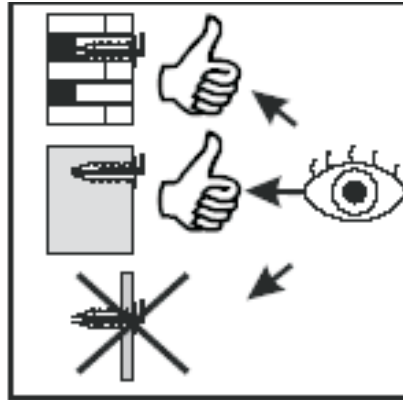


6

- J23 x8
- S6 3,0x20 x2



7



- O20 x1

- C2 x20

- O21 x1

- T10 x2

