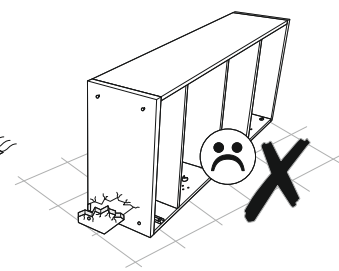
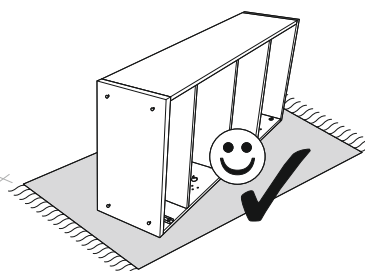
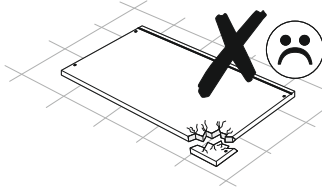
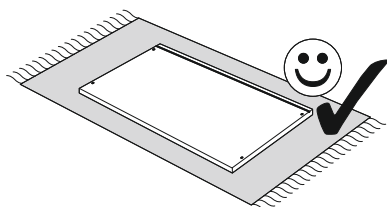
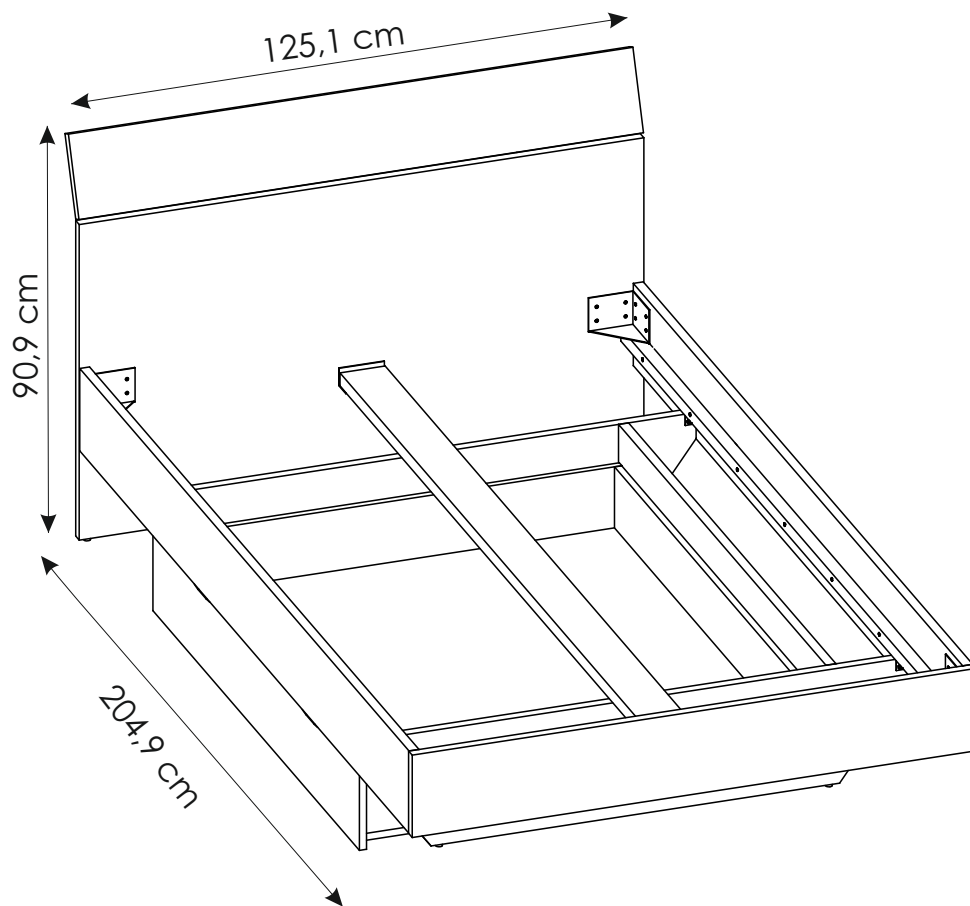
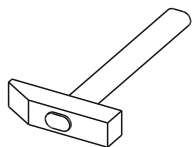
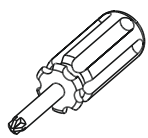
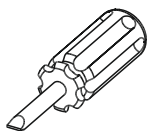
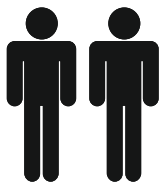
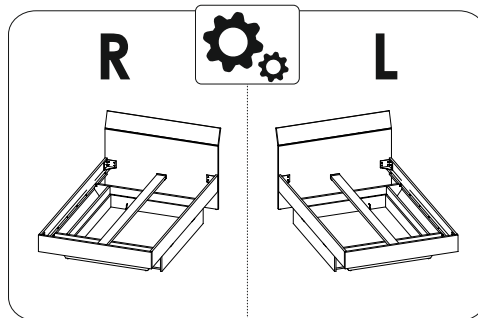
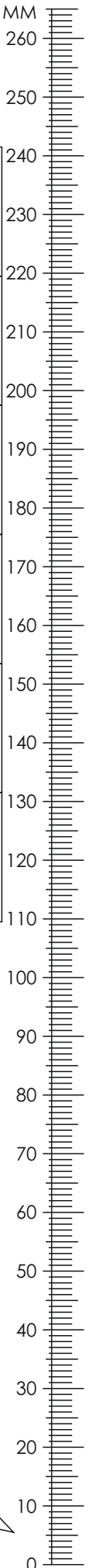



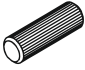

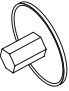

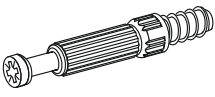

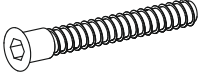
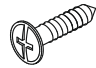
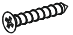


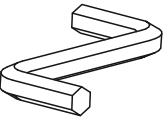

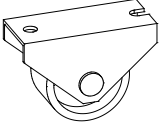

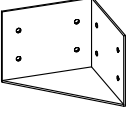
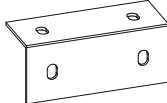
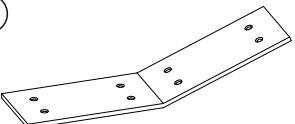
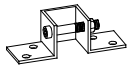
CAYMAN CAYL02

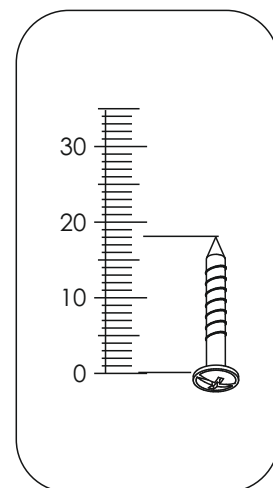




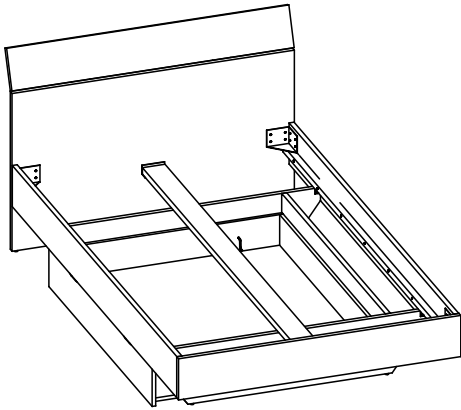
CAYMAN CAYL02



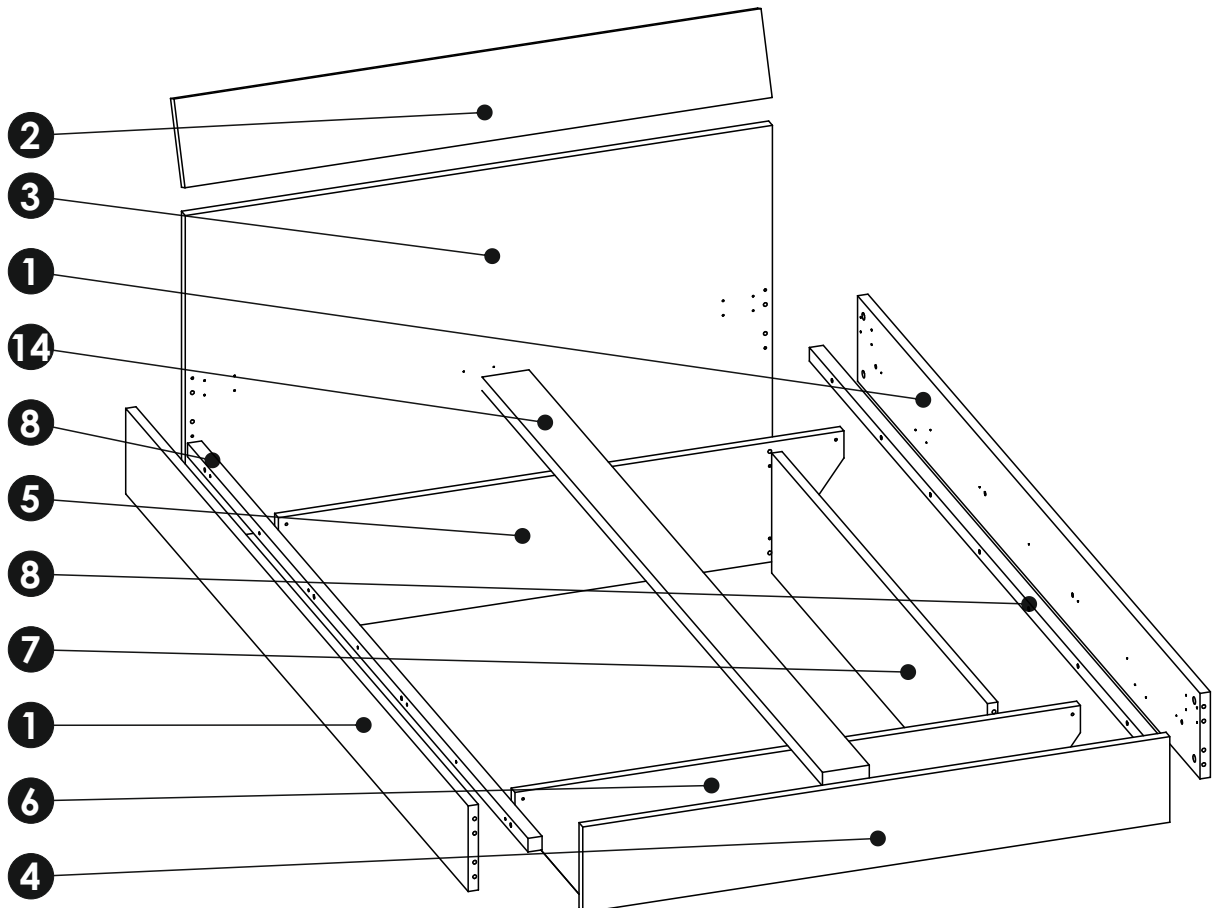
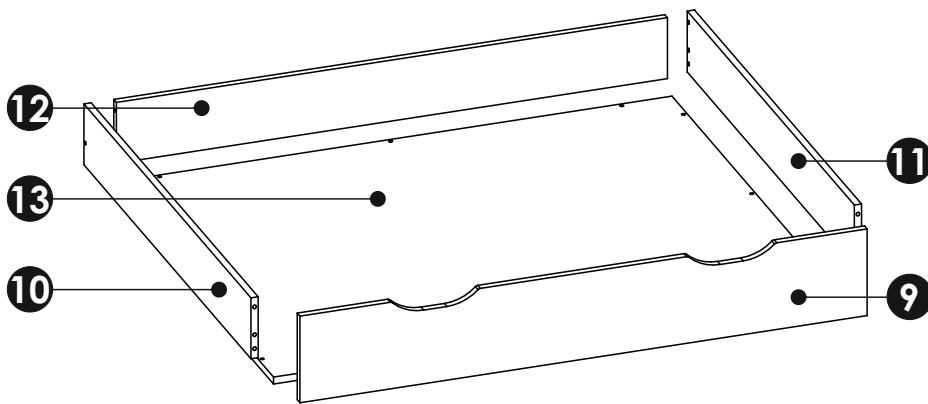
| | | |
|--|---|---|
| A0 8 x 24 mm x8  | A1 8 x 35 mm x22  | C2 5 x 13 mm x32  |
| E0  x13 | E1 15 x 12 mm x17  | F1 6 x 34 mm x17  |
| G0  x11 | G1 7 x 50 mm x11  | I8 4 x 20 mm x8  |
| J1 3 x 13 mm x12  | J2 4 x 20mm x32  | J10 4 x 45 mm x14  |
| M  x1 | O2  x8 | O5  x6 |
| R8  x2 | X5  x4 | X6  x2 |
| X7  x2 | X8  x4 | |

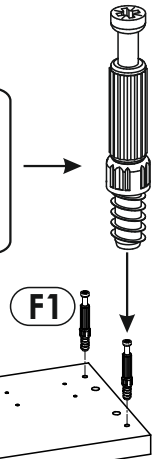
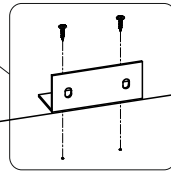
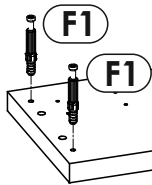
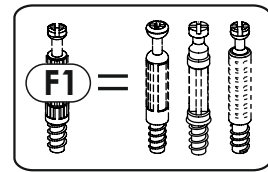
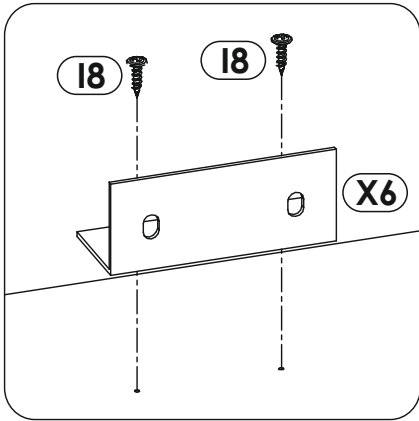
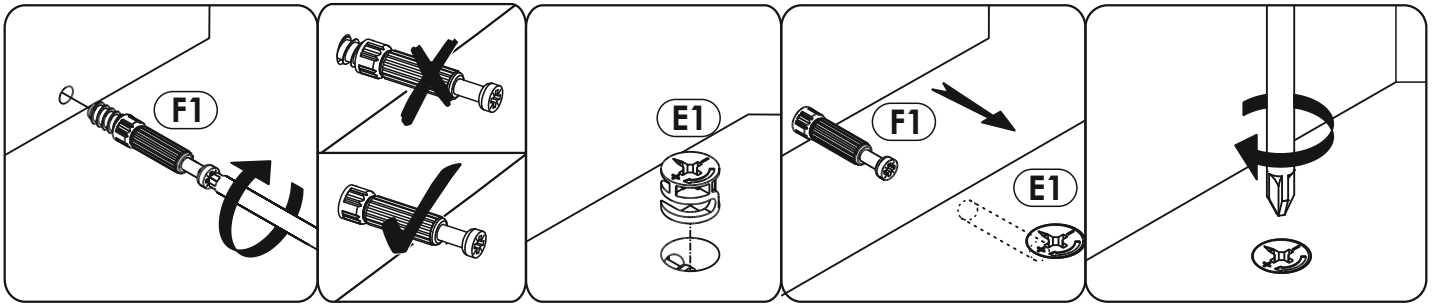


CAYMAN CAYL02

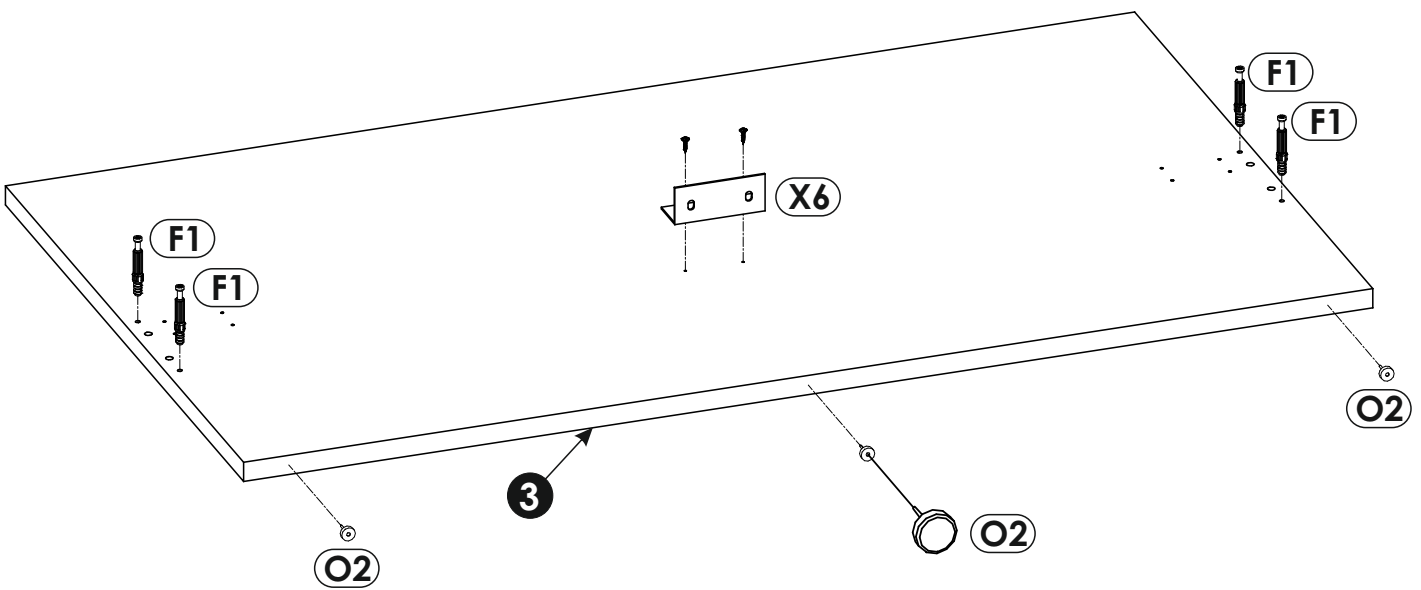


| | | | | | |
|-----------|------|------|----|----|-----|
| 1 | 2005 | 189 | 22 | x2 | 2/3 |
| 2 | 1251 | 180 | 22 | x1 | 1/3 |
| 3 | 1251 | 725 | 22 | x1 | 3/3 |
| 4 | 1251 | 189 | 22 | x1 | 1/3 |
| 5 | 1205 | 265 | 22 | x1 | 1/3 |
| 6 | 1205 | 265 | 22 | x1 | 1/3 |
| 7 | 1263 | 265 | 22 | x1 | 1/3 |
| 8 | 1993 | 30 | 30 | x2 | 2/3 |
| 9 | 1257 | 194 | 16 | x1 | 1/3 |
| 10 | 1017 | 140 | 16 | x1 | 3/3 |
| 11 | 1017 | 140 | 16 | x1 | 3/3 |
| 12 | 1221 | 140 | 16 | x1 | 1/3 |
| 13 | 1253 | 1017 | 16 | x1 | 3/3 |
| 14 | 1993 | 100 | 30 | x1 | 2/3 |

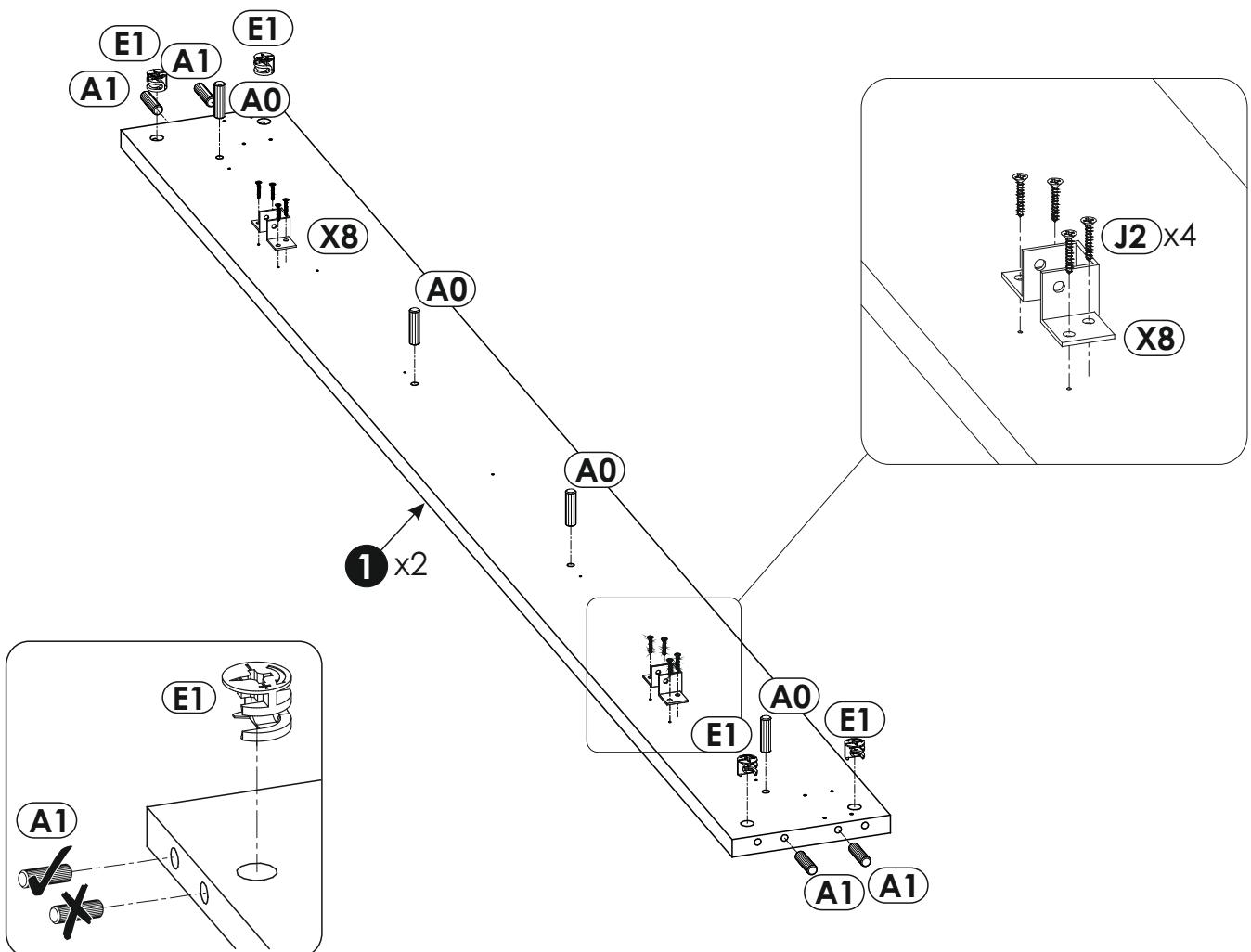
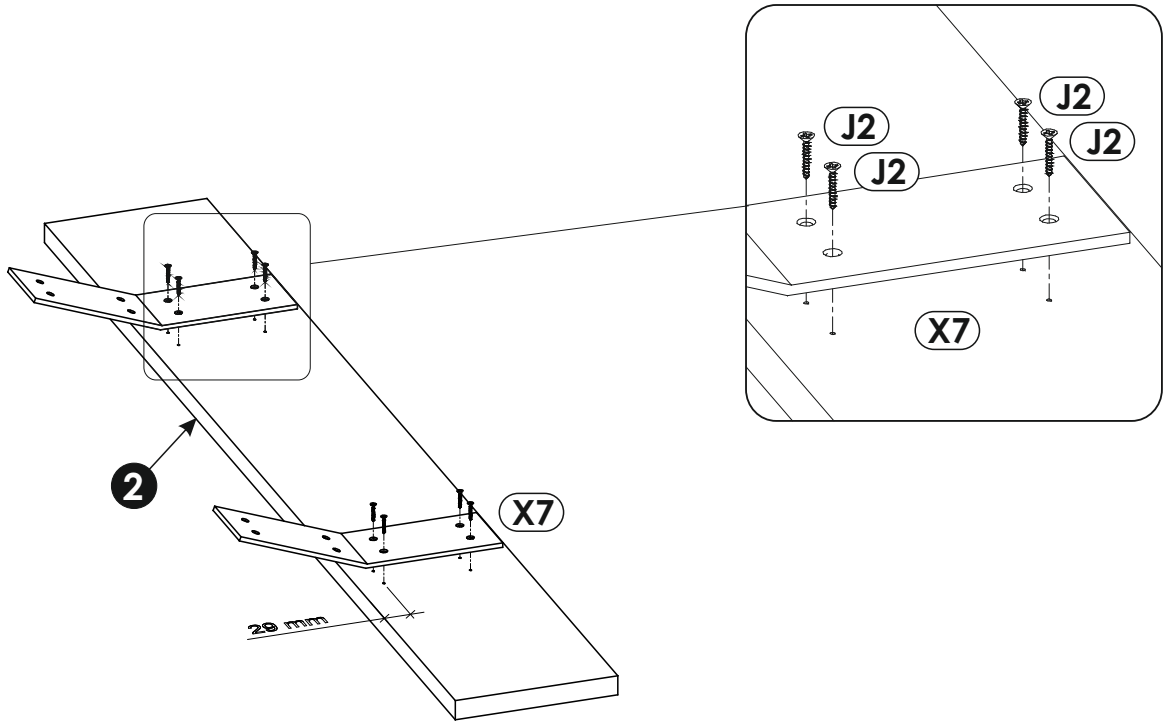




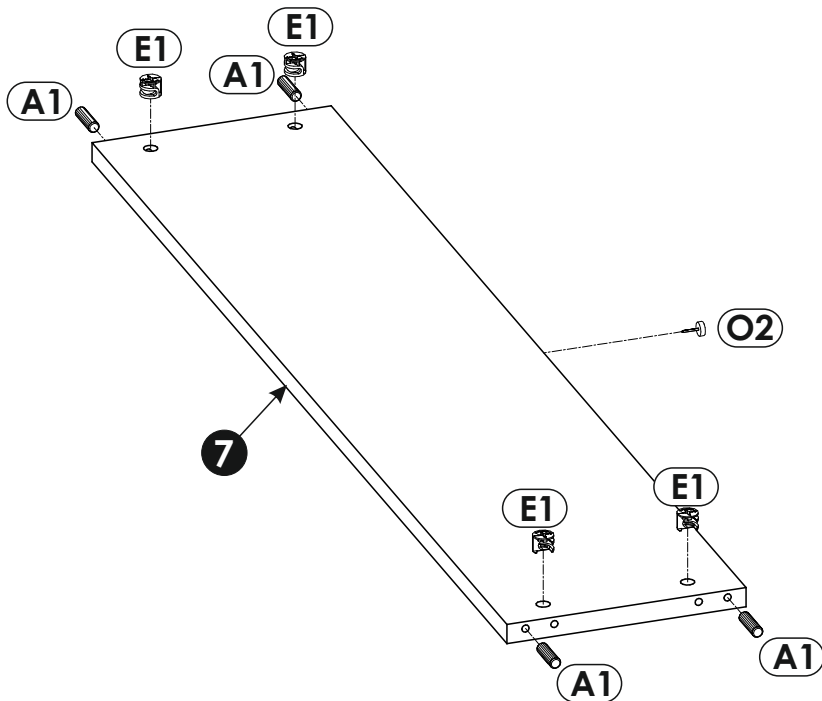
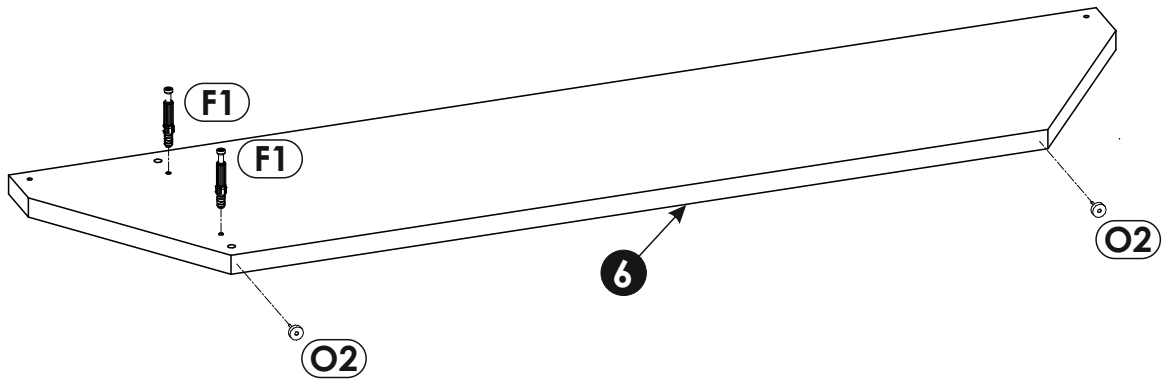
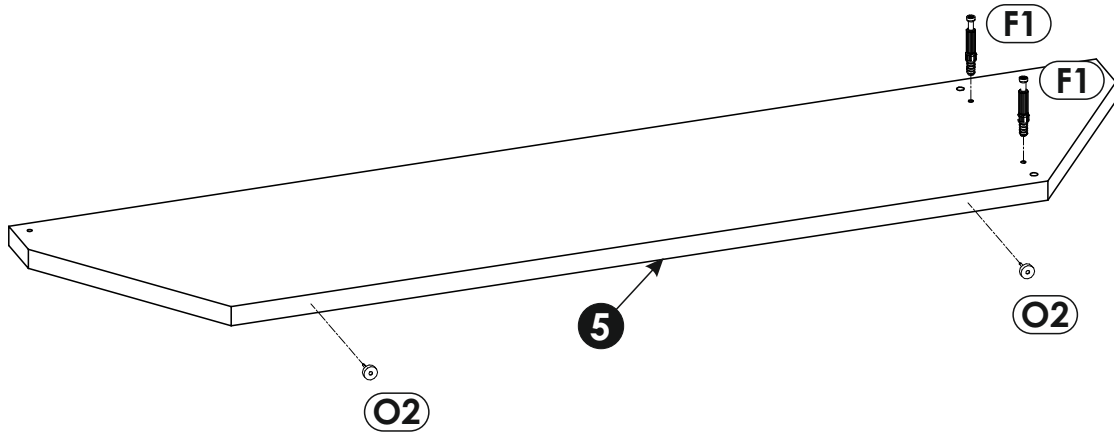
4



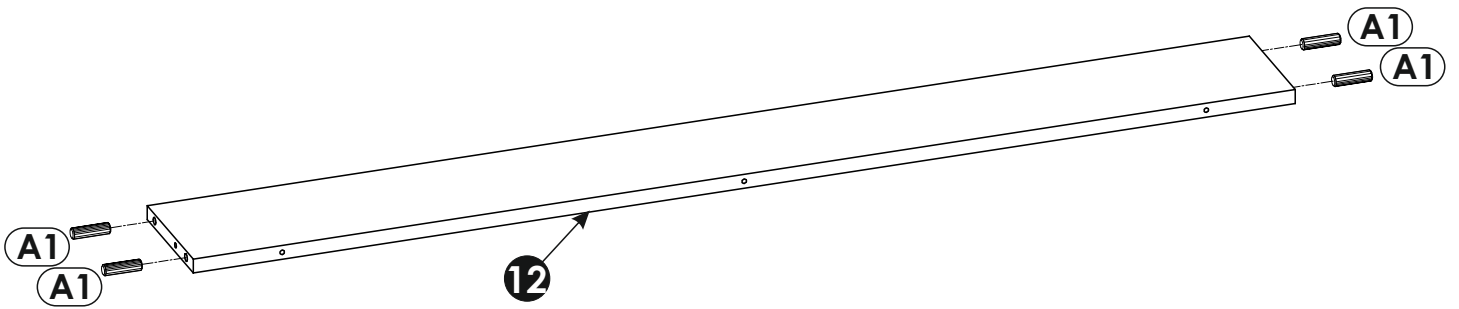
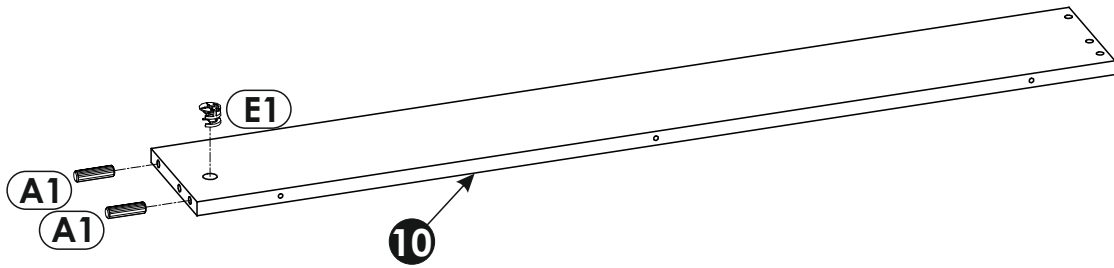
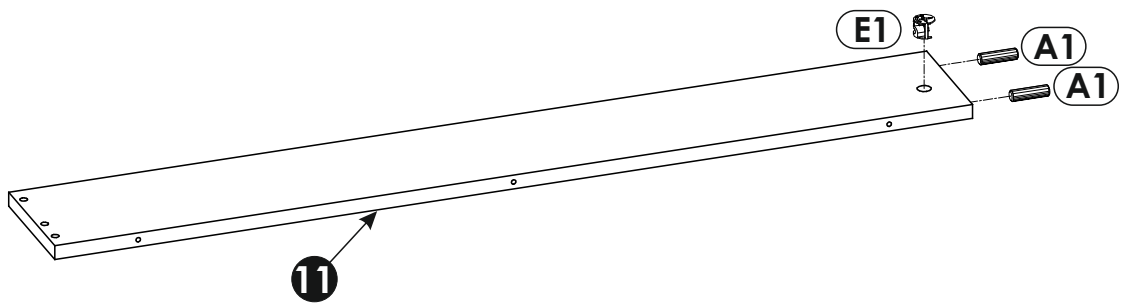
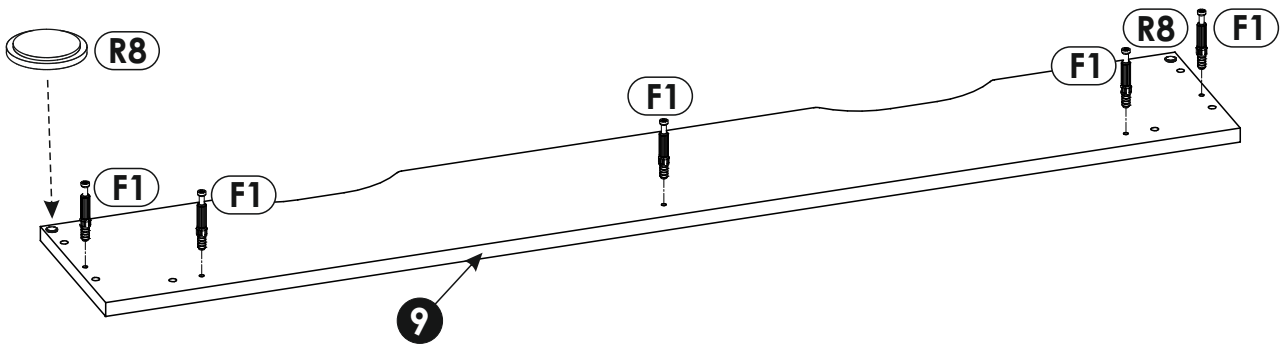
2 ▶



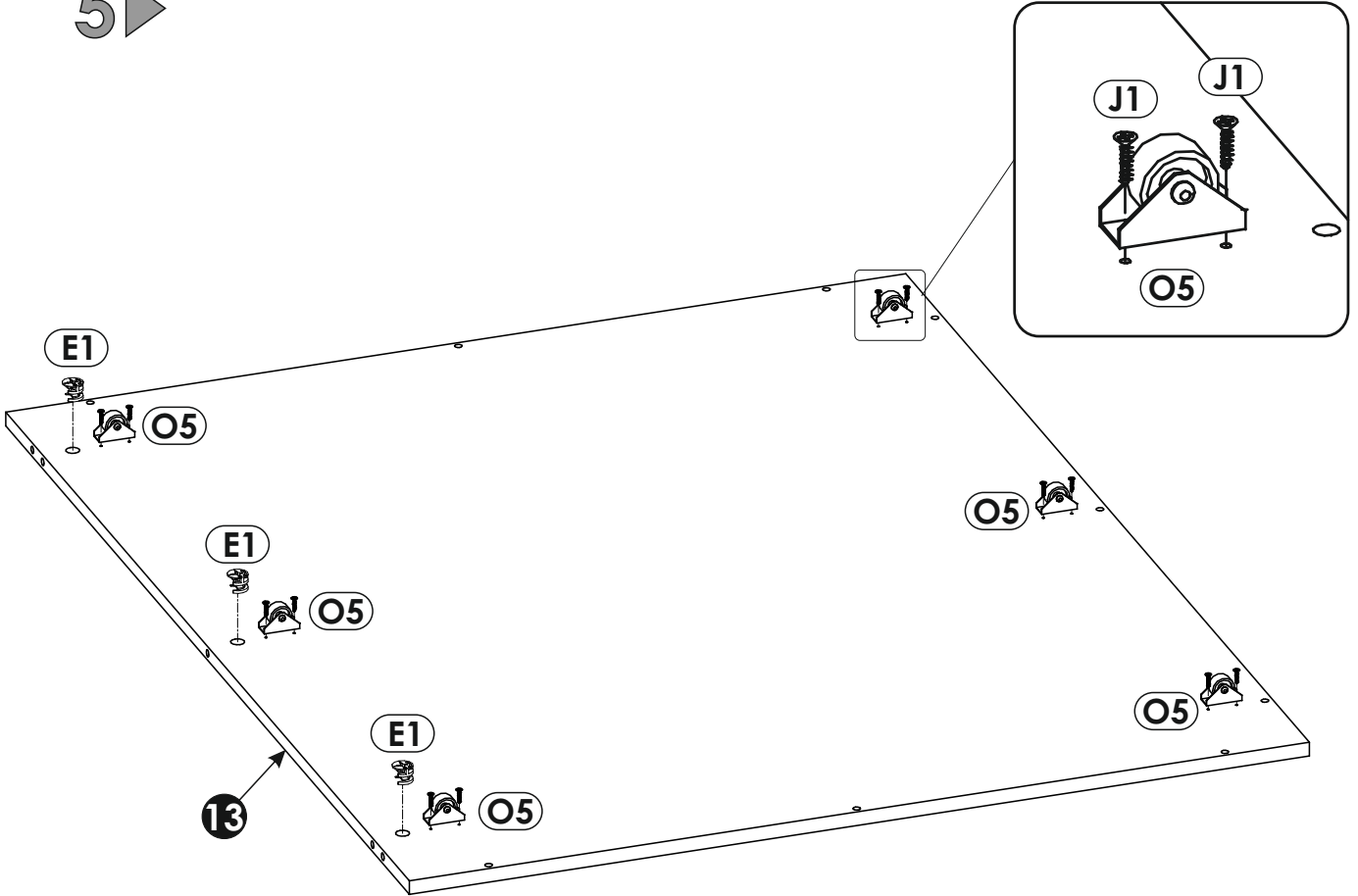
3 ▶



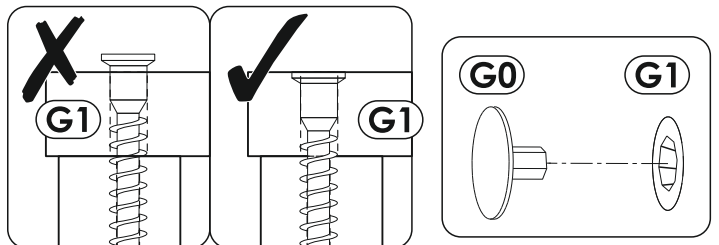
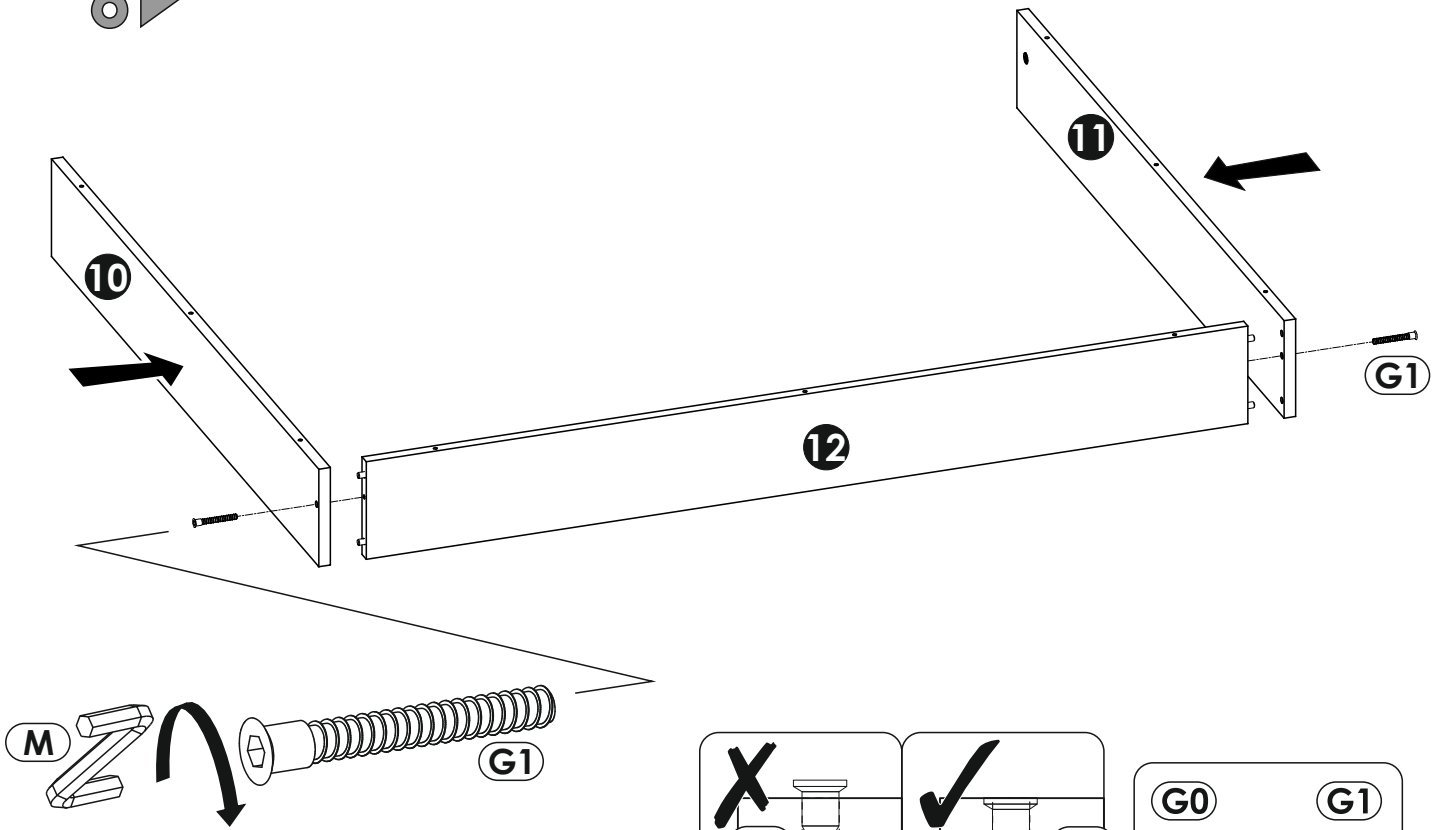
4▶



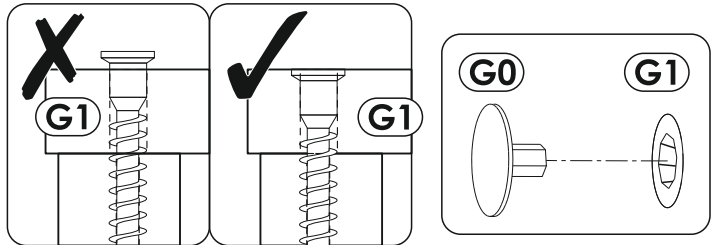
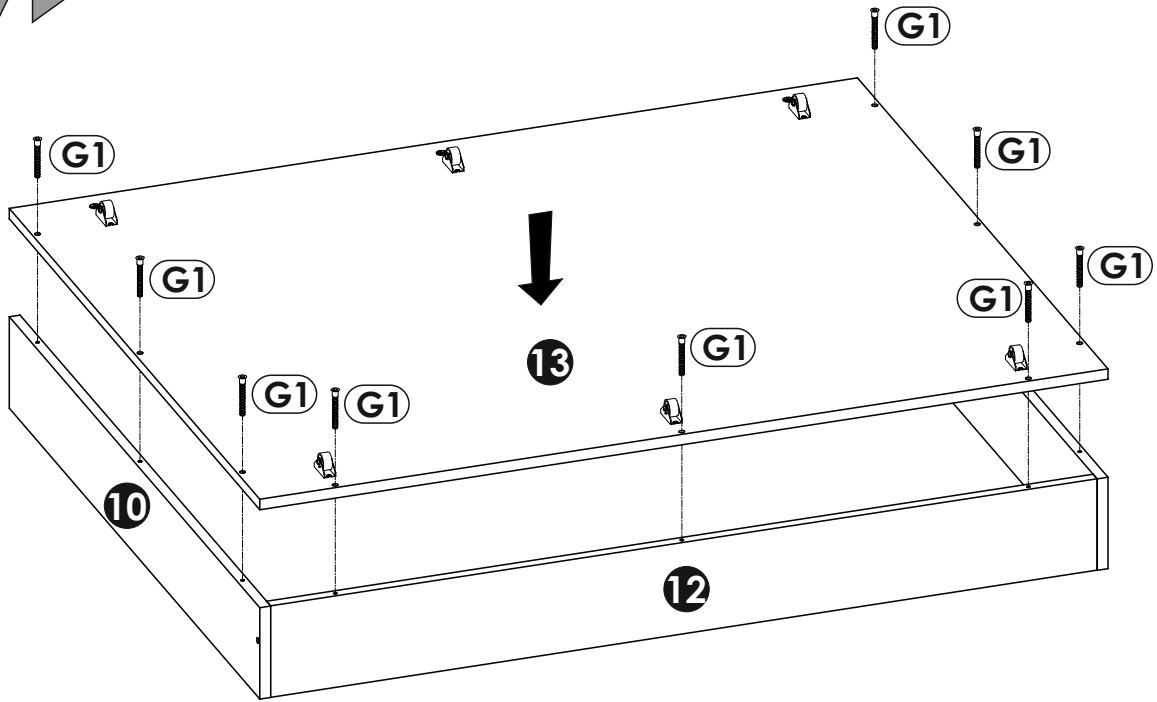
5 ▶



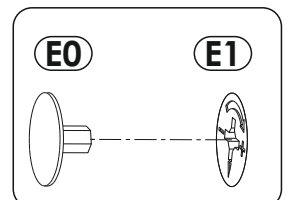
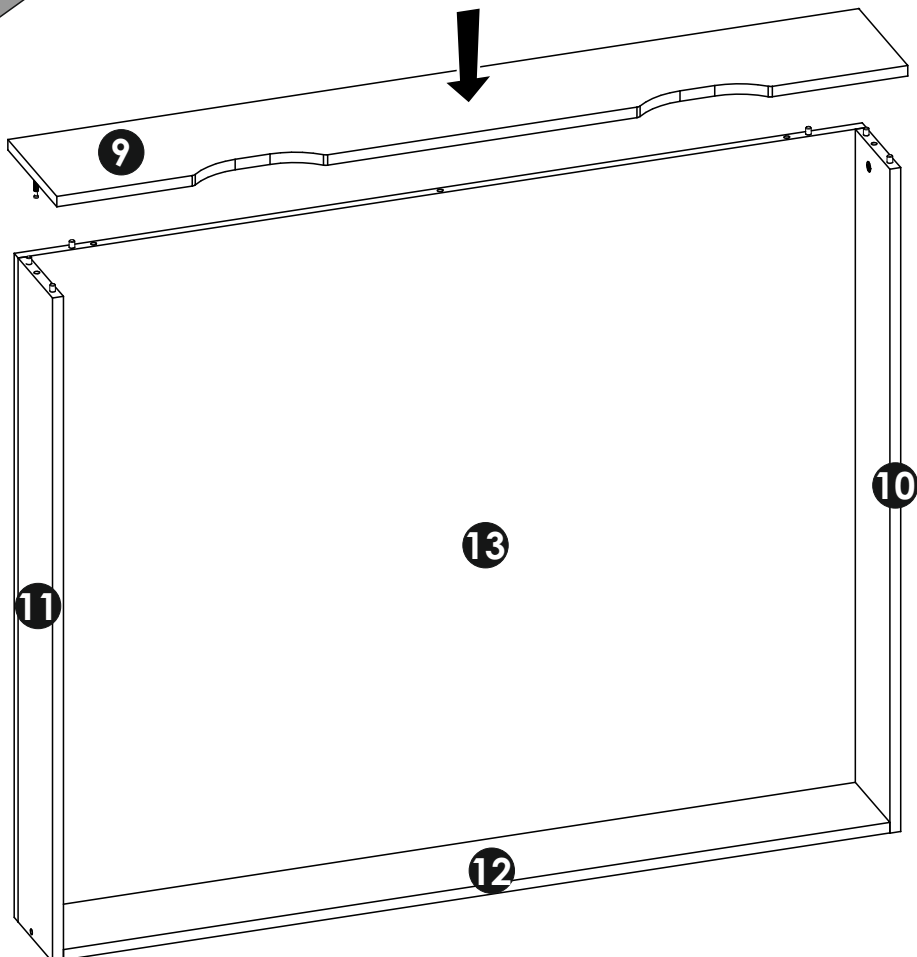
6 ▶



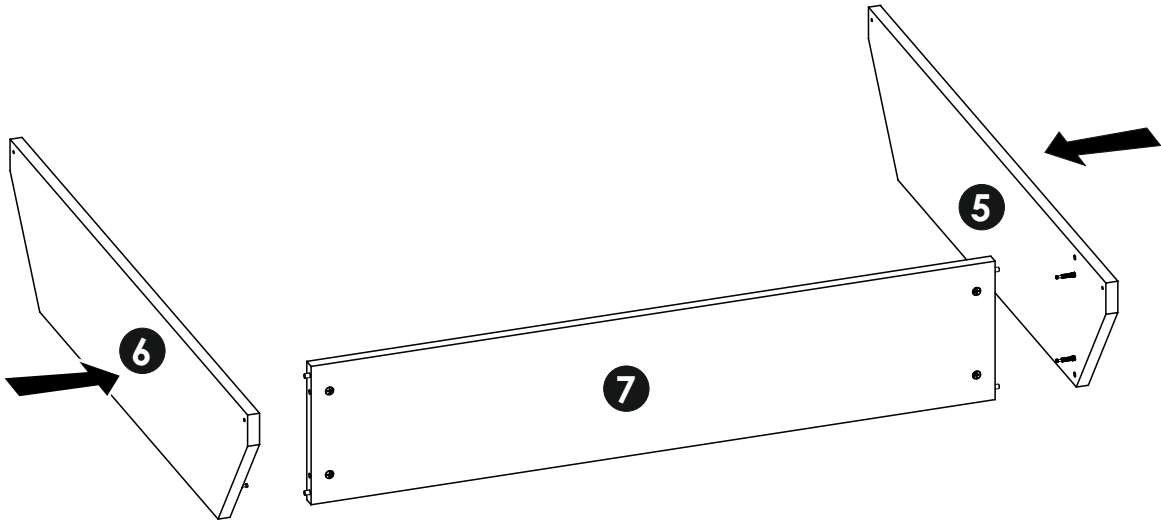
7 ▶



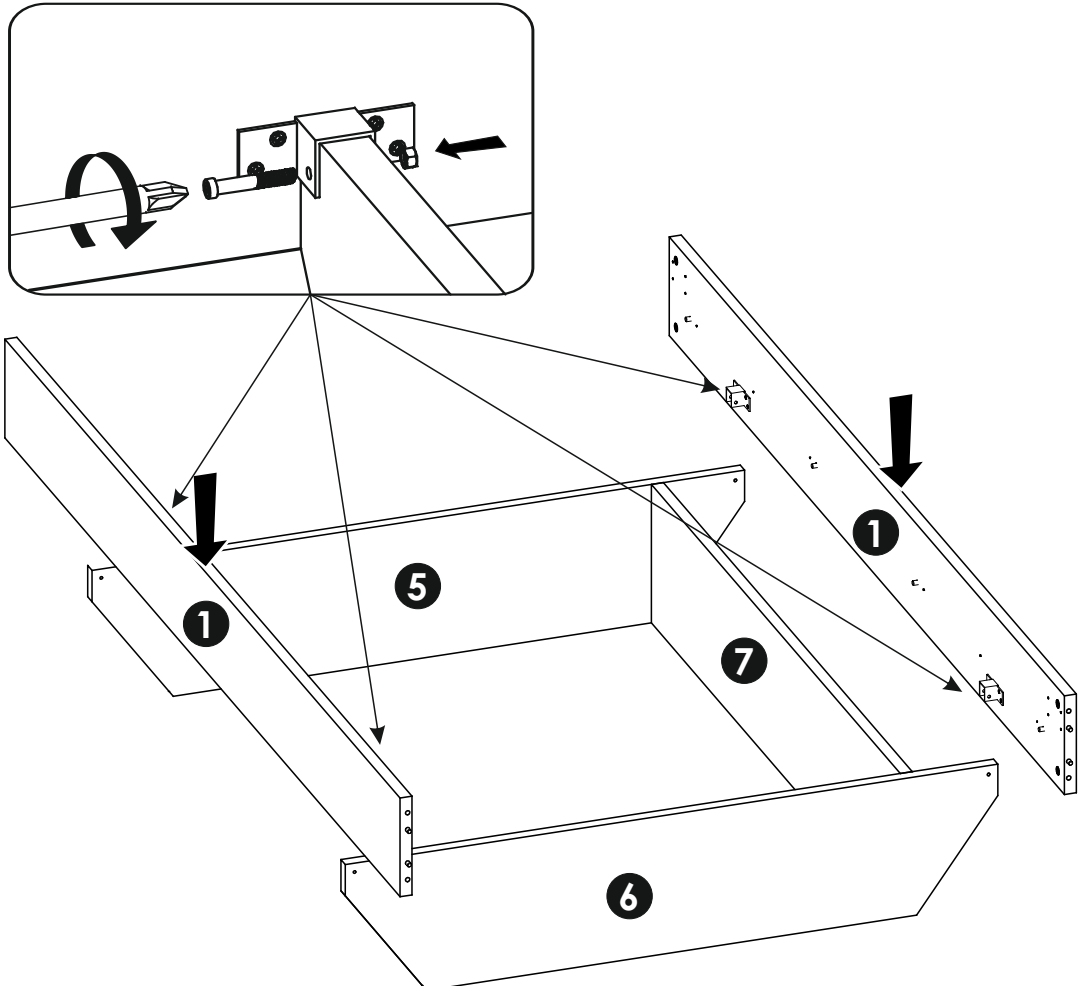
8 ▶



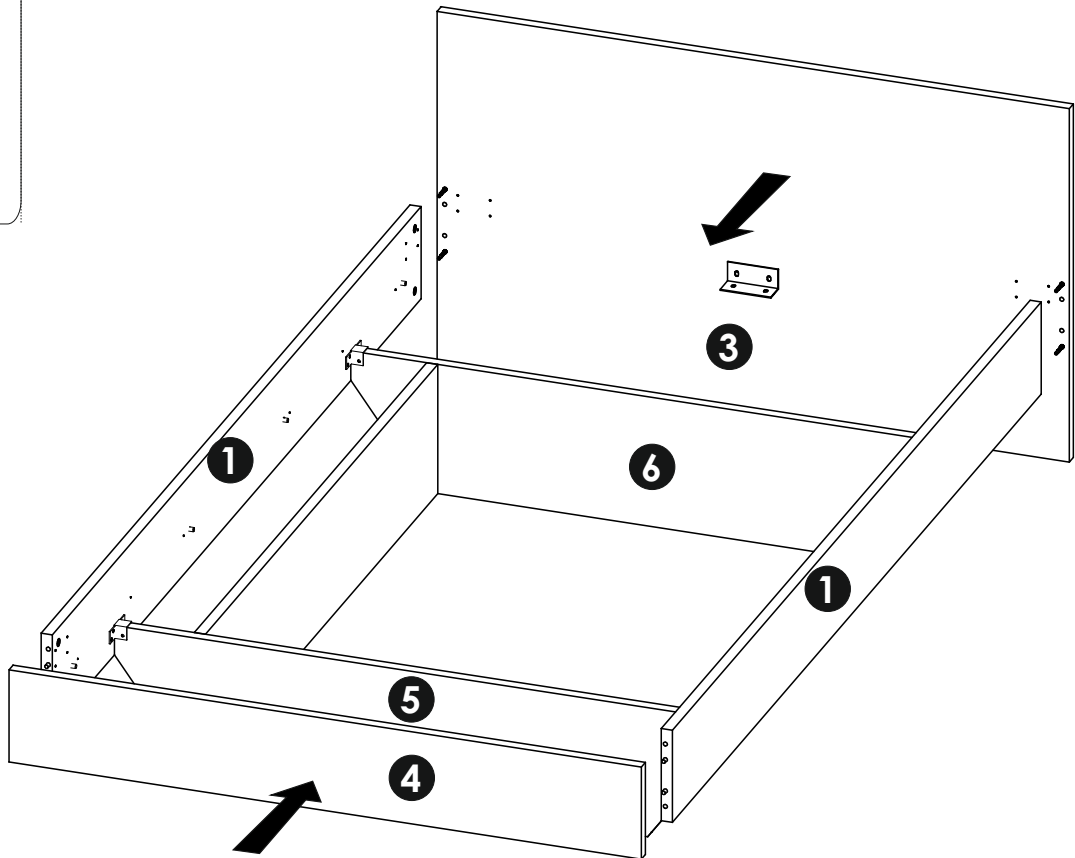
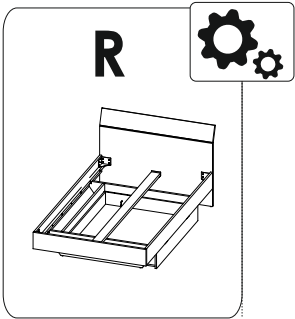
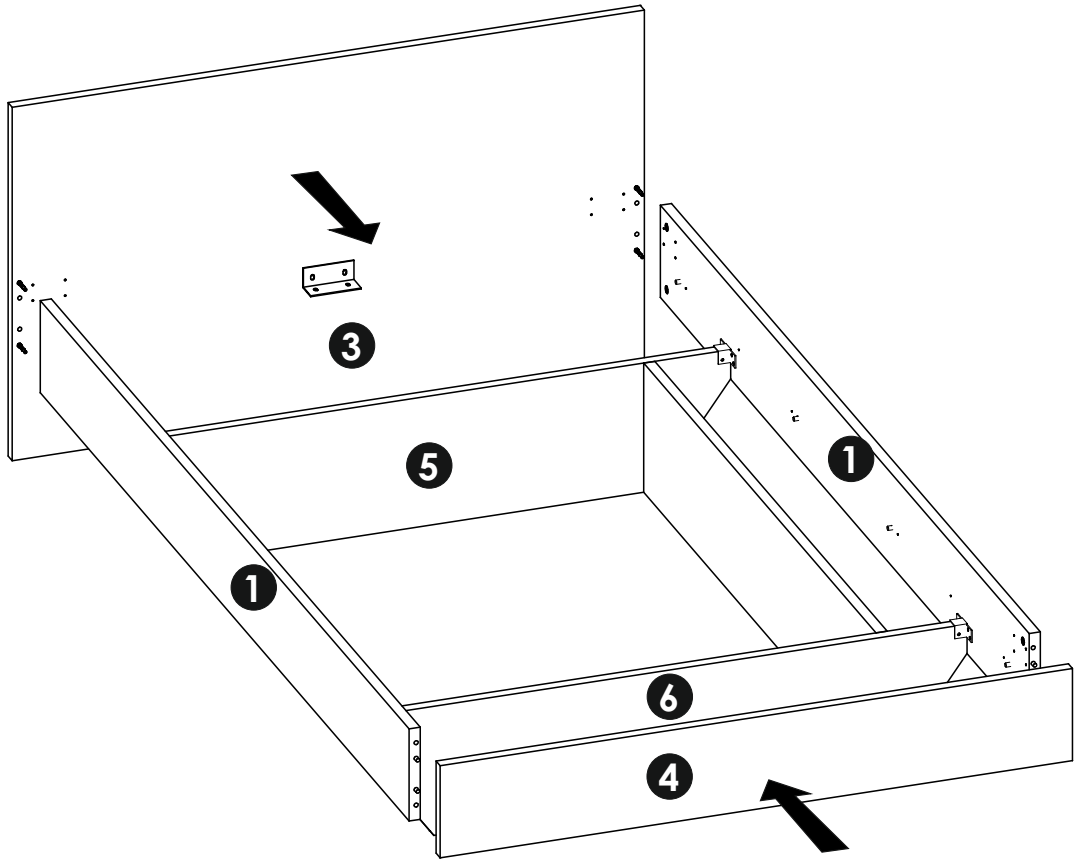
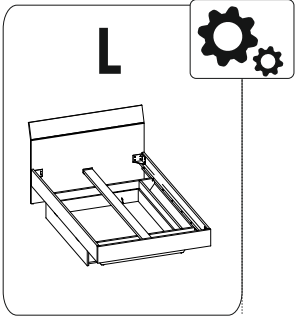
9 ▶



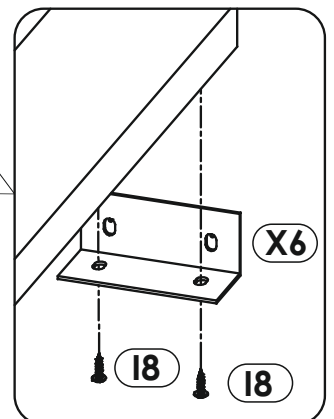
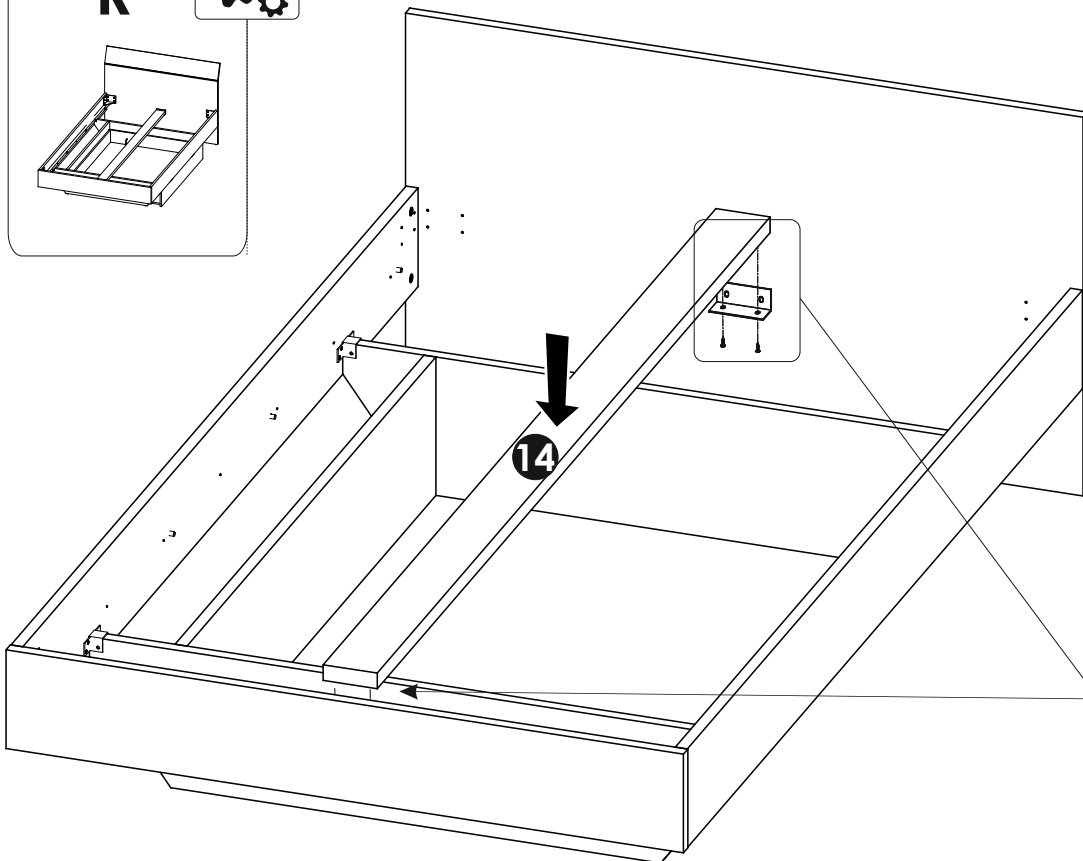
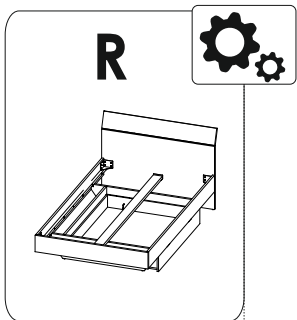
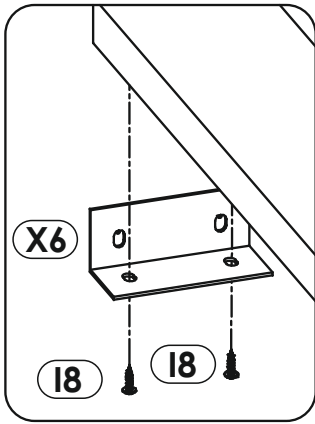
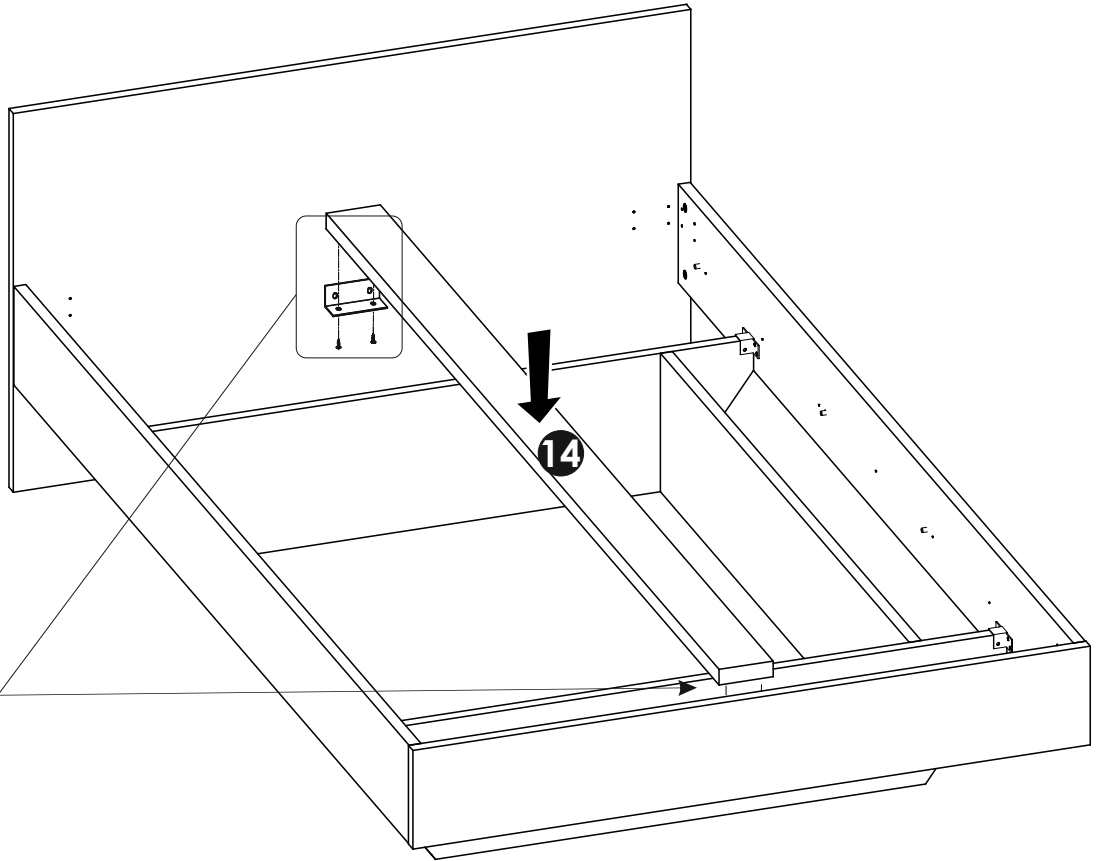
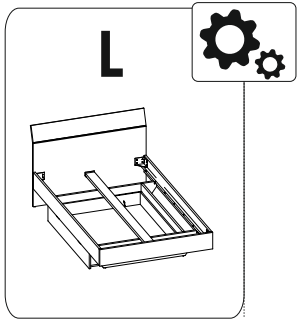
10 ▶



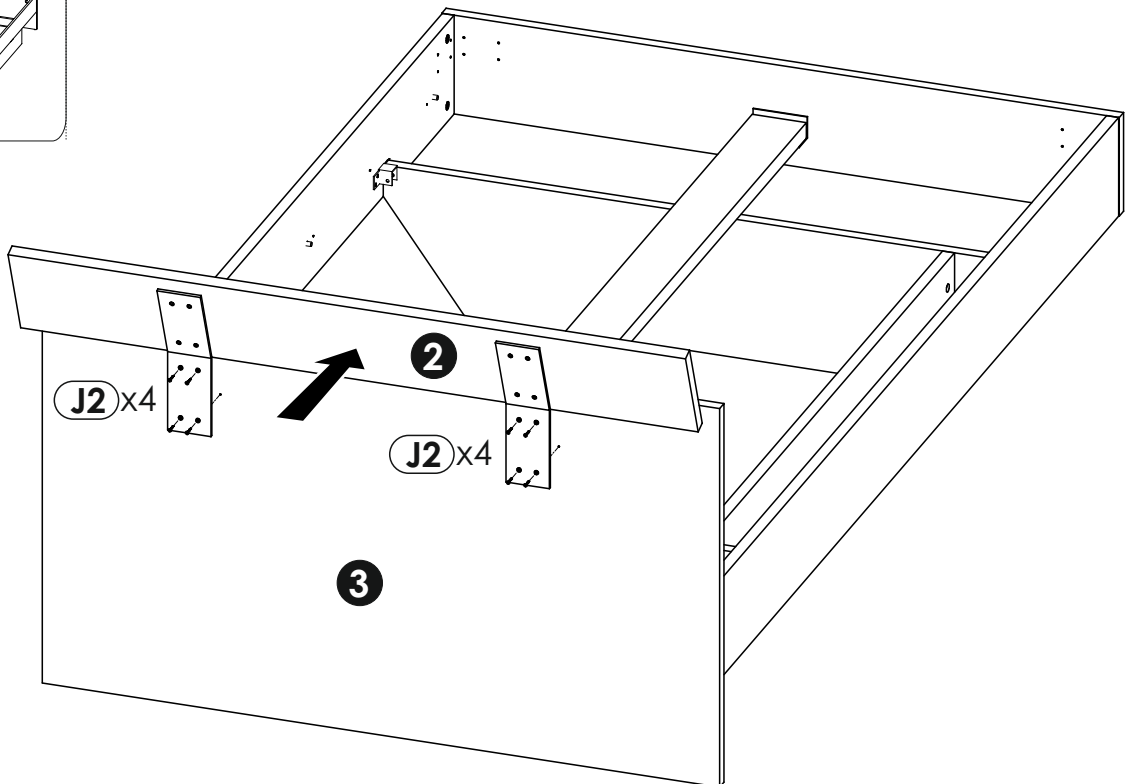
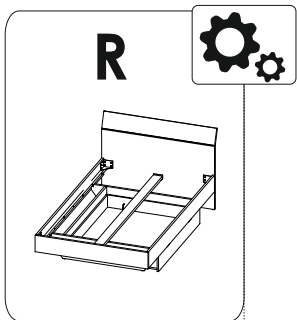
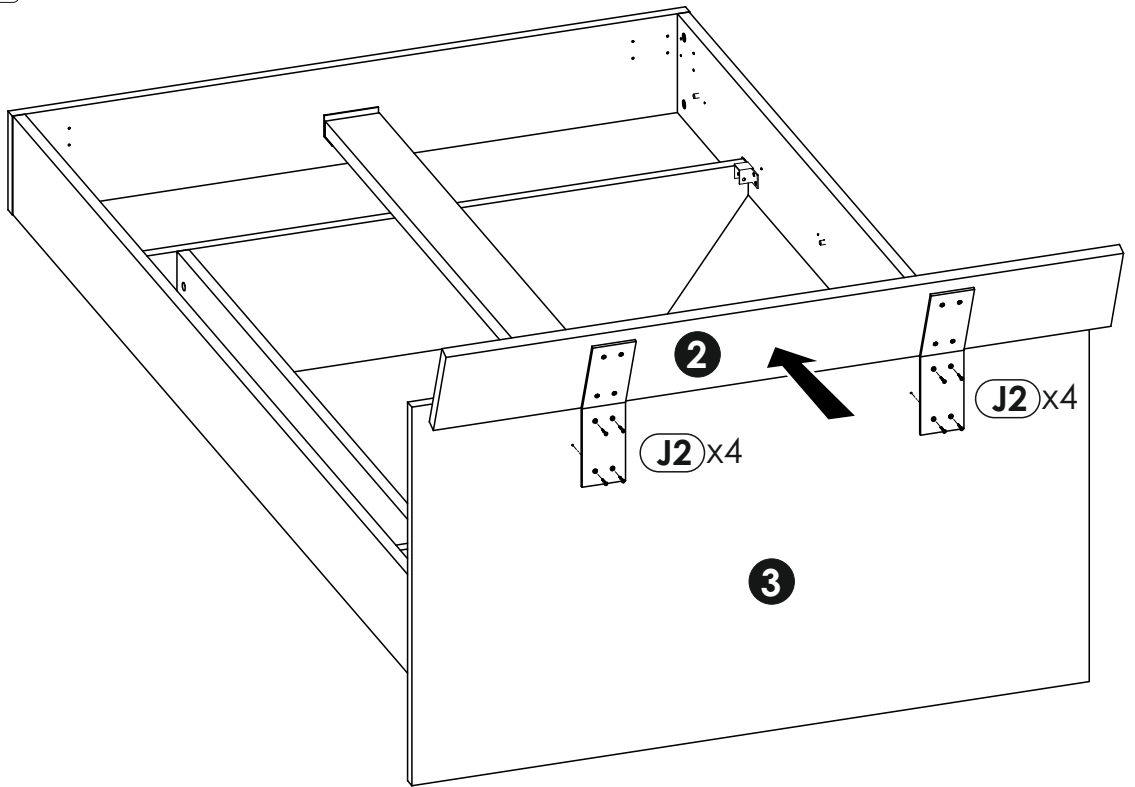
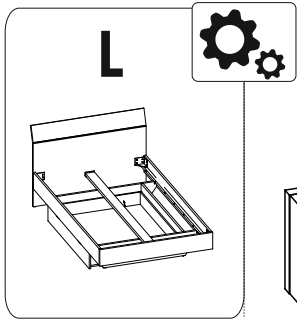
11 ▶



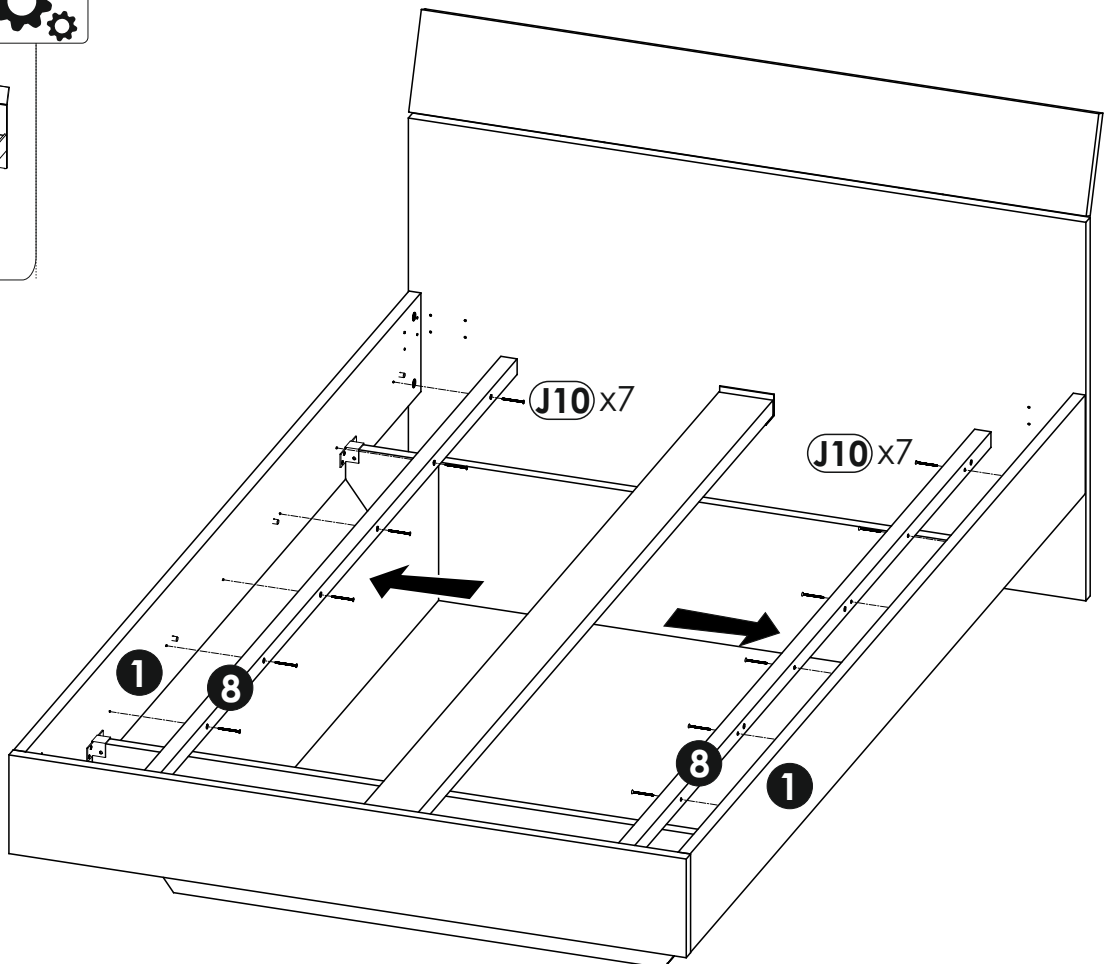
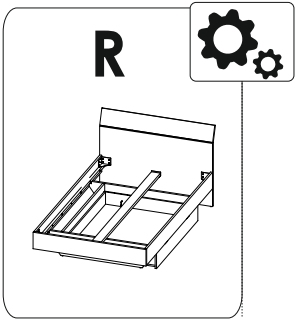
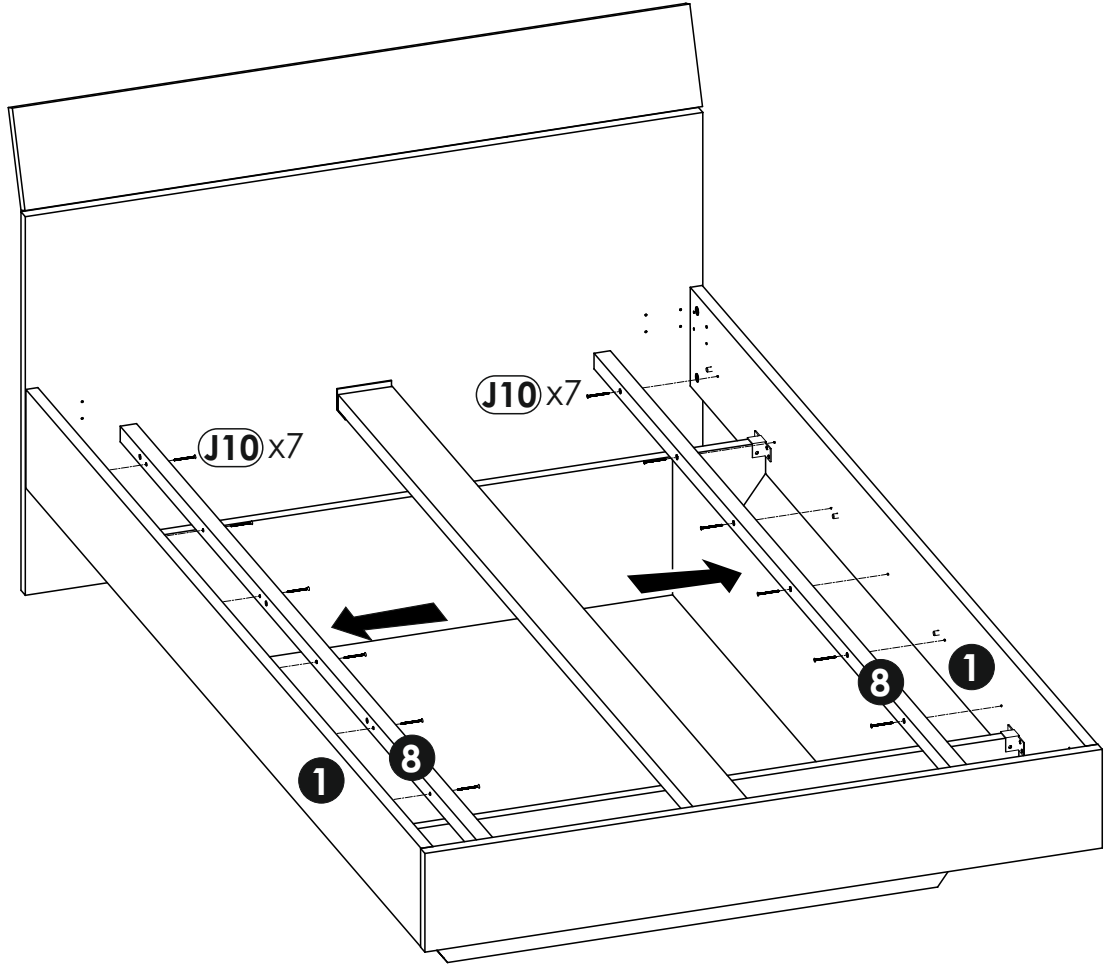
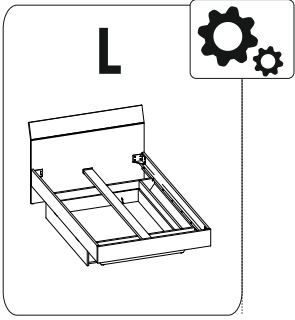
12▶



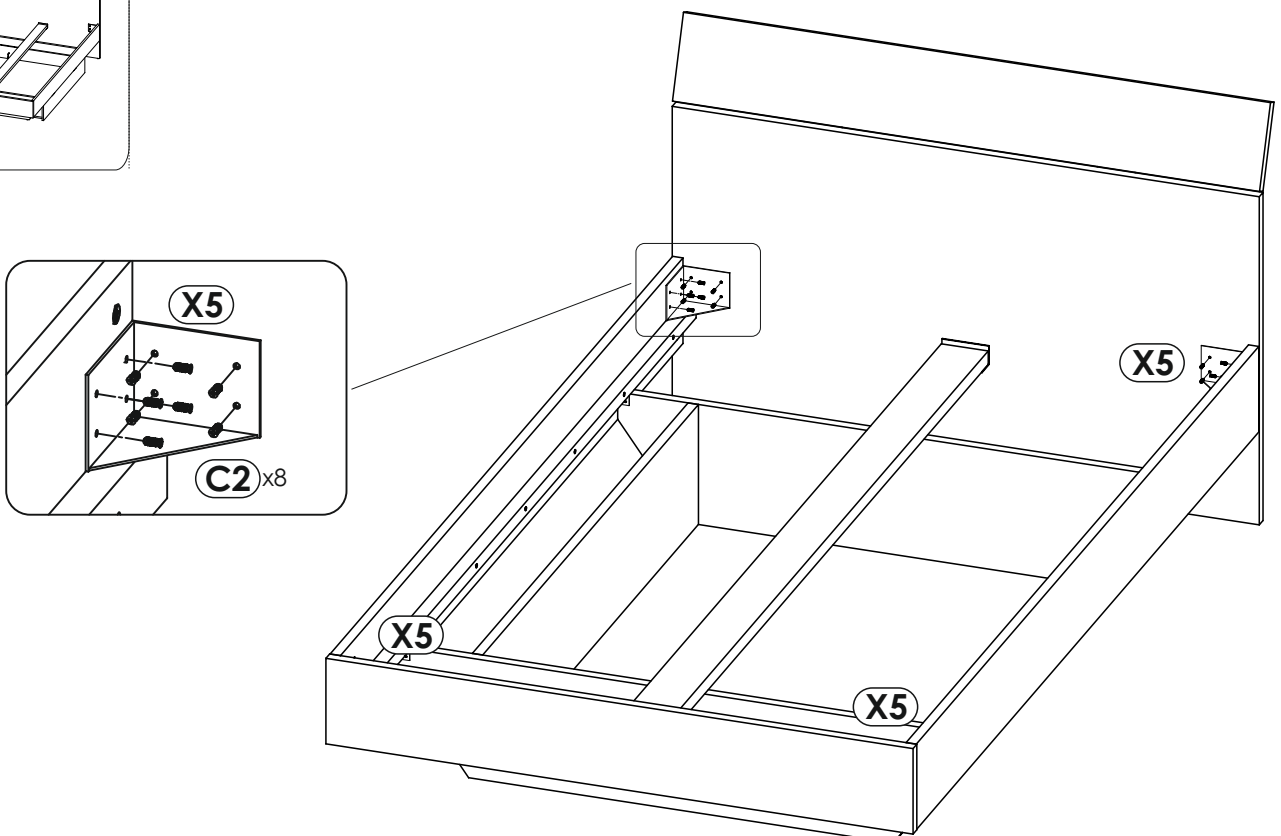
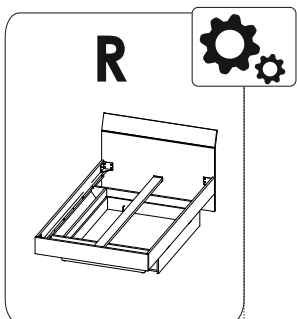
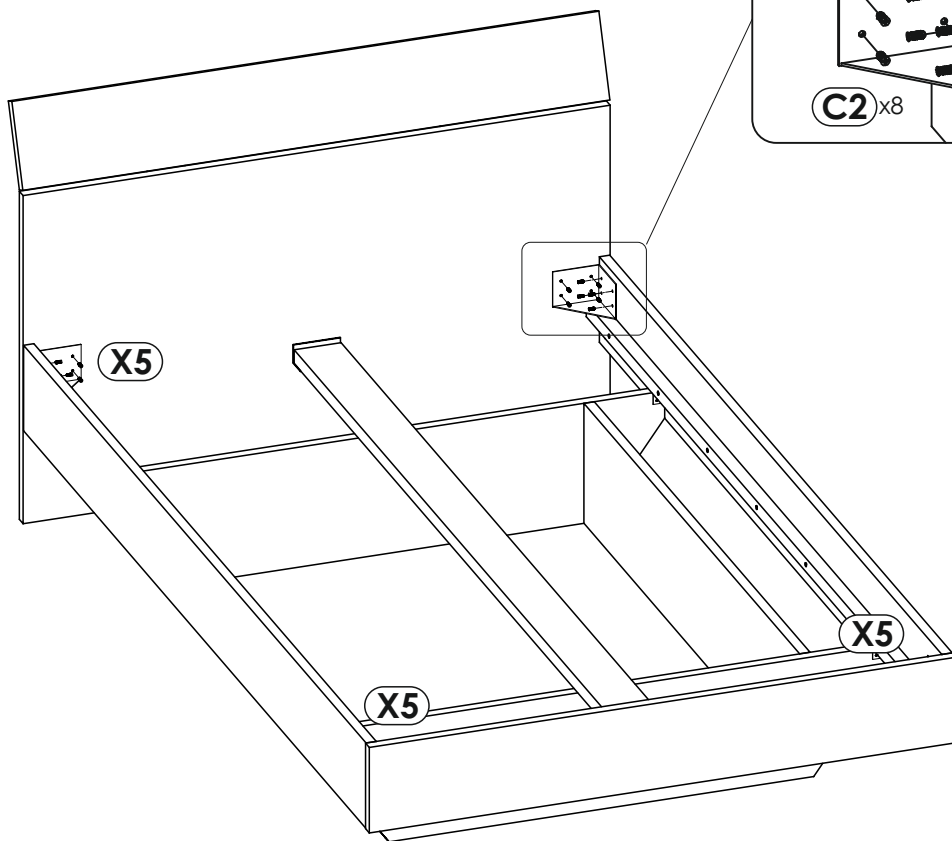
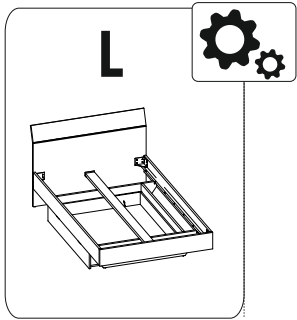
13 ▶



14▶



15▶



16▶

