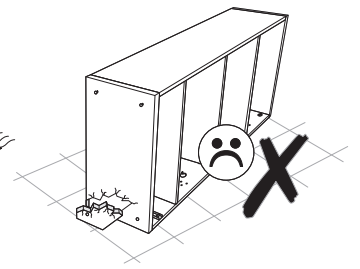
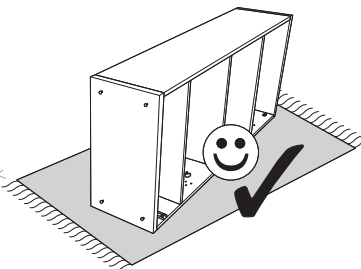
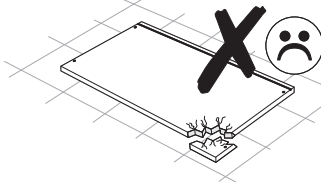
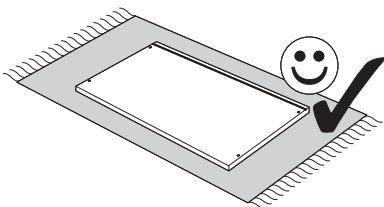
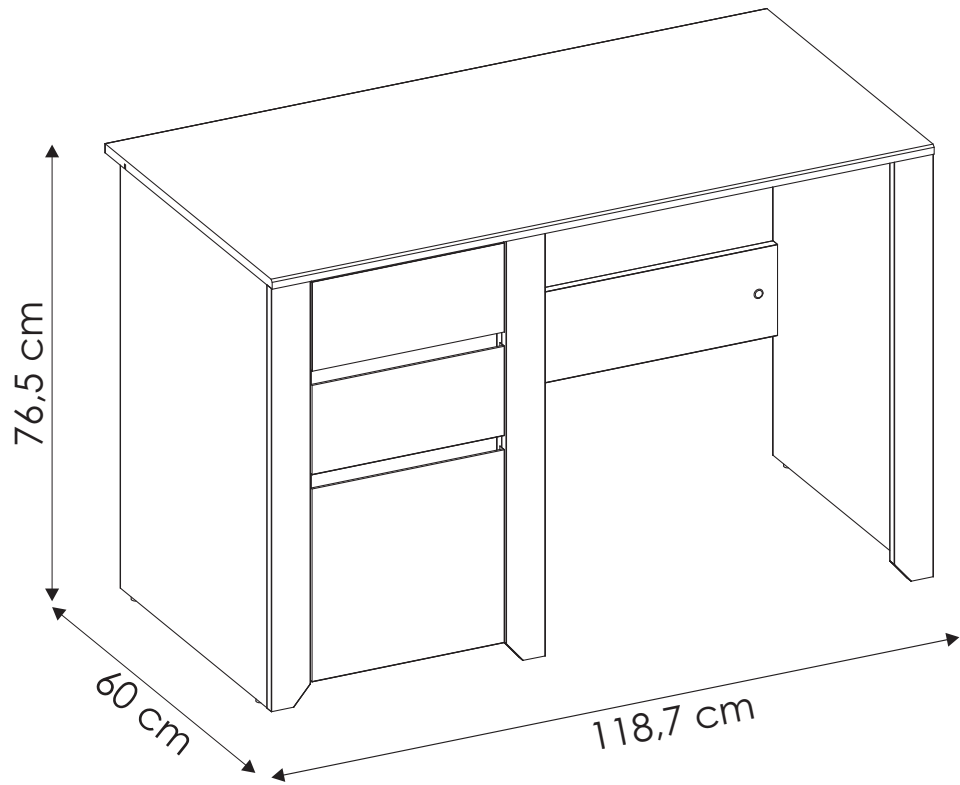
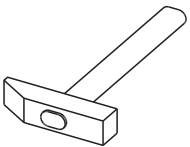
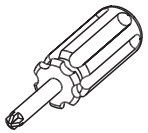
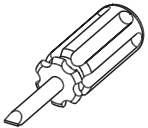
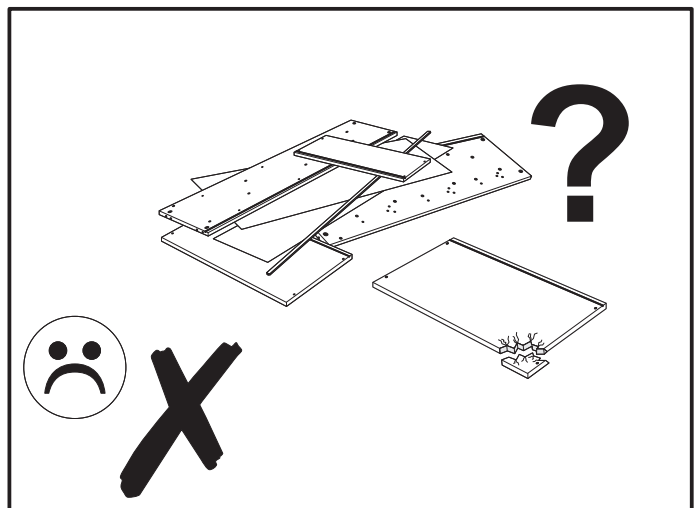
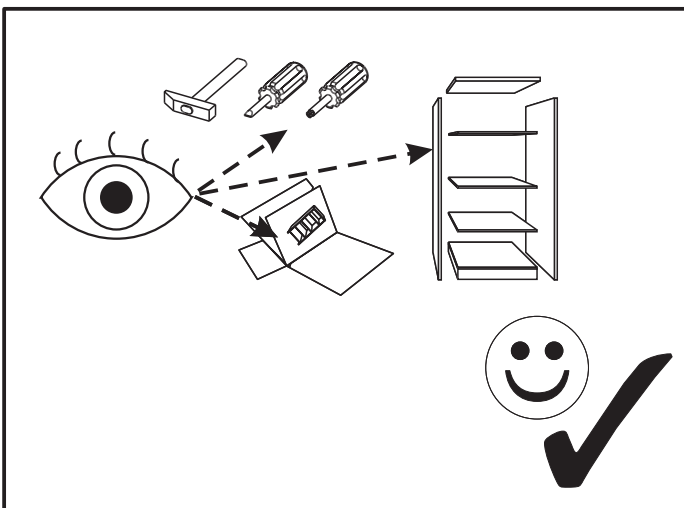
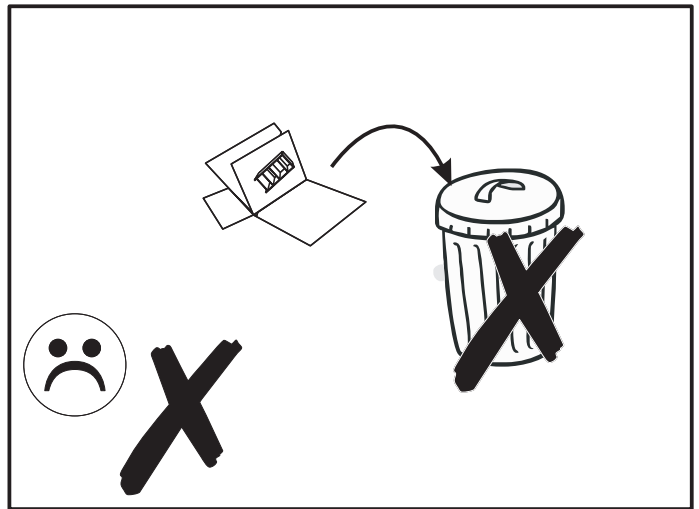
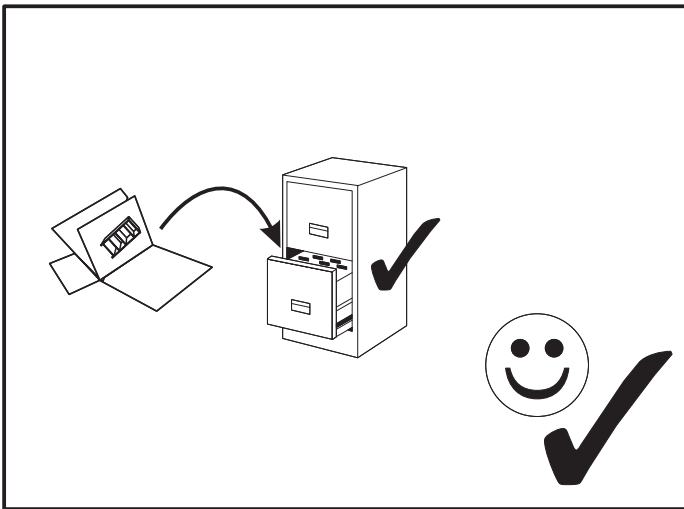
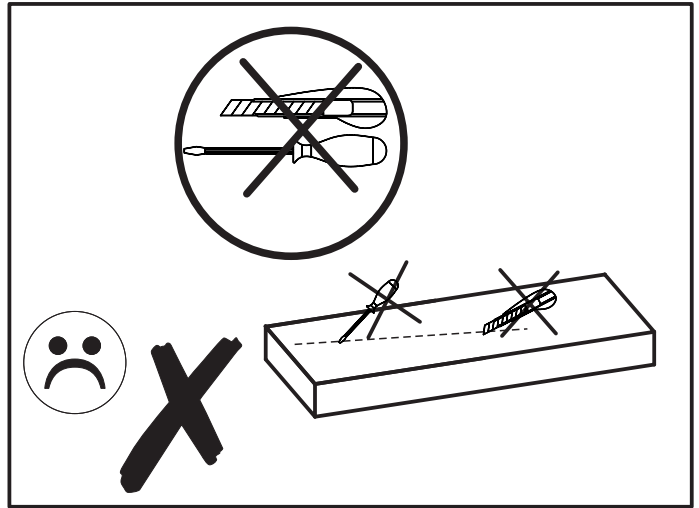
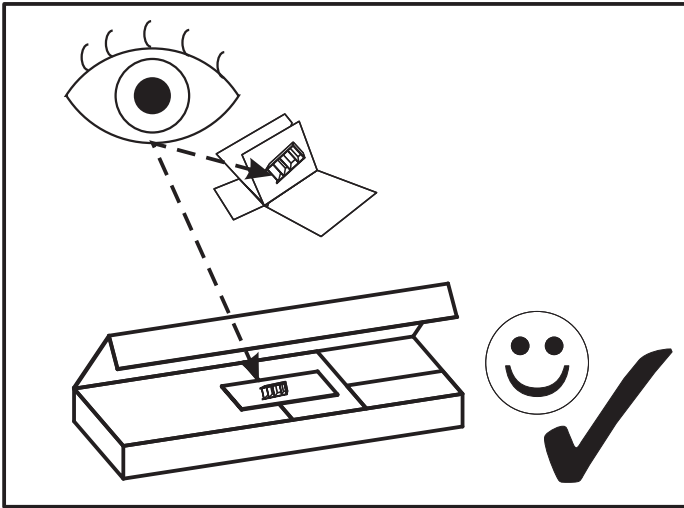







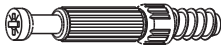
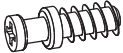



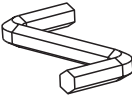

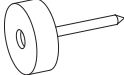

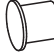


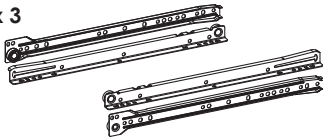
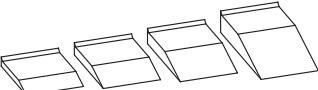
ANGEL 80

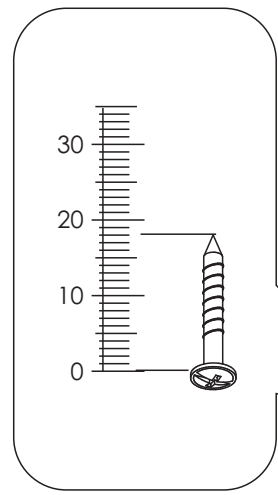
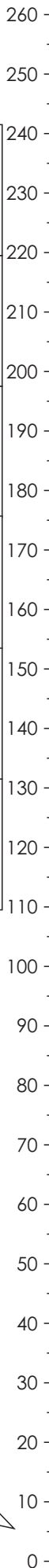




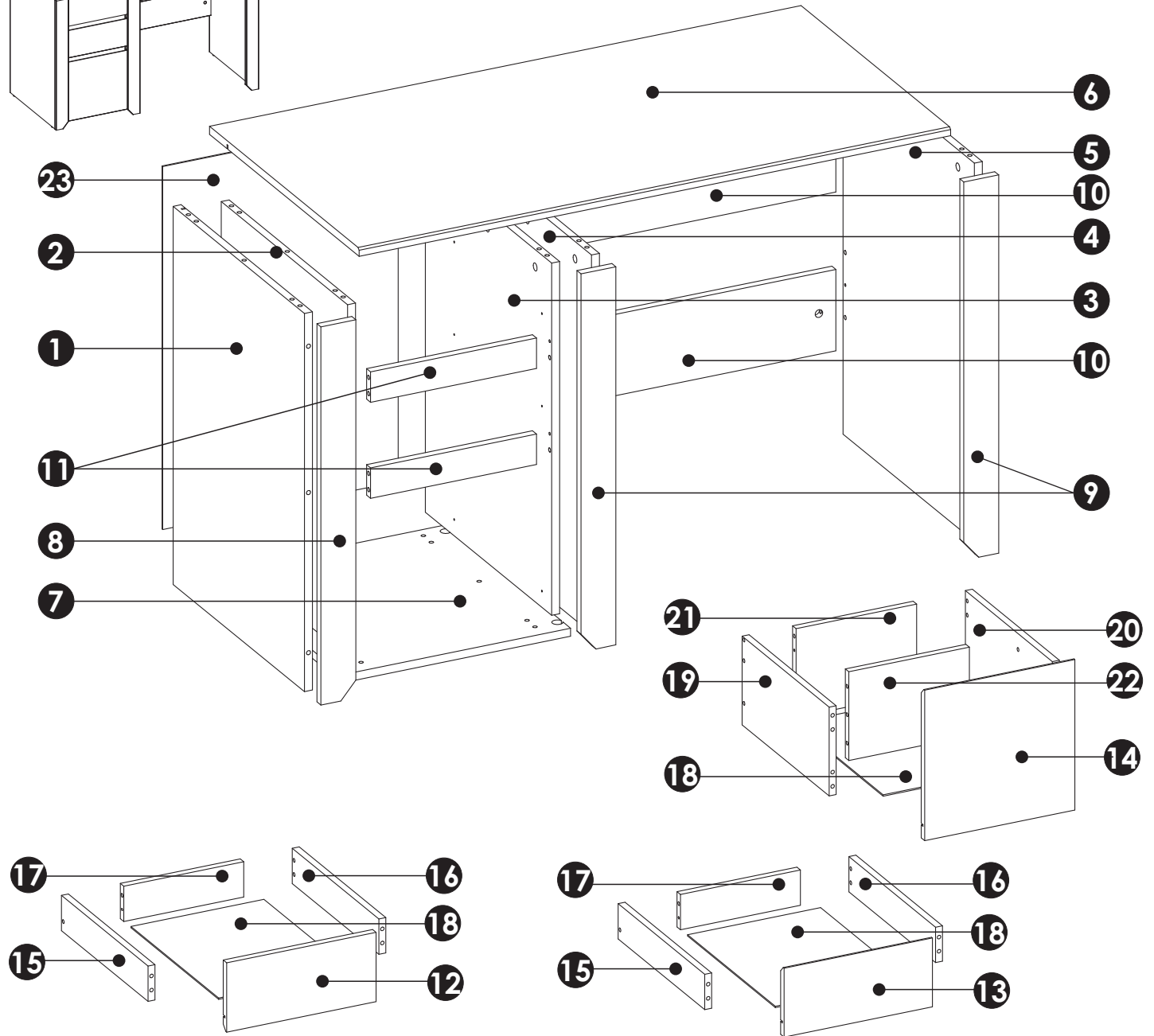
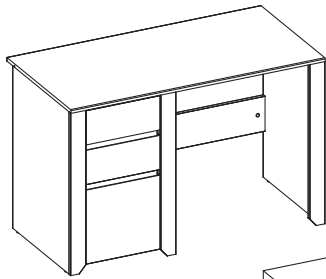
ANGEL 80

MM

<p>A1 x 46 $\varnothing 8 \times 35$ mm</p> 	<p>C2 x12 5 x 13 mm</p> 	<p>E0 x 42</p> 
<p>E1 x 42 $\varnothing 15 \times 12$ mm</p> 	<p>E2 x 4</p> 	<p>F1 x42</p> 
<p>F2 x 4</p> 	<p>G0 x 14</p> 	<p>G1 x14 $\varnothing 7 \times 50$ mm</p> 
<p>J1 x 18 3 x 20mm</p> 	<p>M x 1</p> 	<p>N1 x 20 3 x 16 mm</p> 
<p>O2 x 6</p> 	<p>P0 x 2 $\varnothing 5$</p> 	<p>P9 x 4 $\varnothing 8$</p> 
<p>R4 x8</p> 	<p>R10 x 6</p> 	<p>T4 x 3</p> 
<p>Z x 1</p> 		



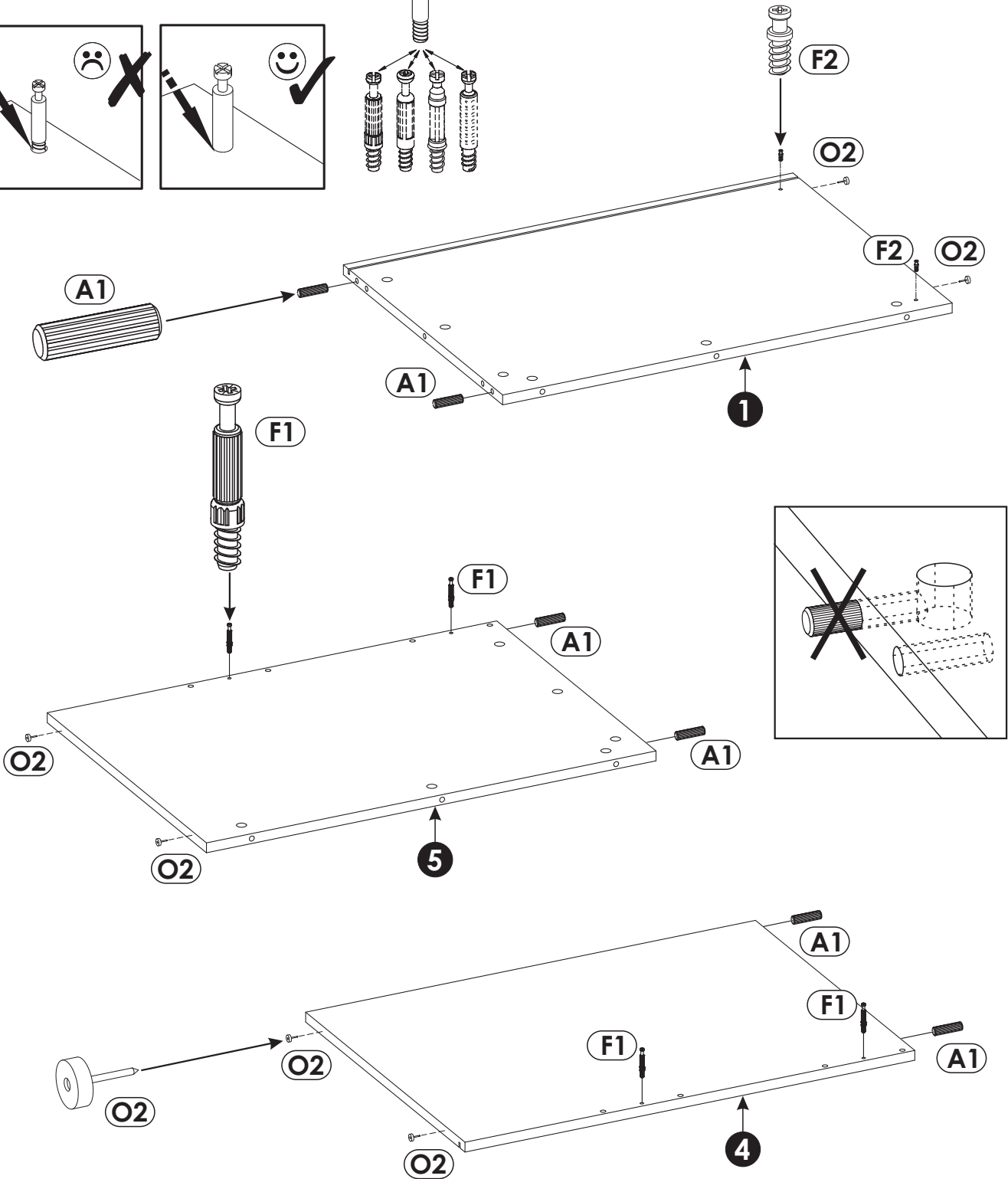
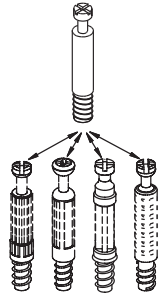
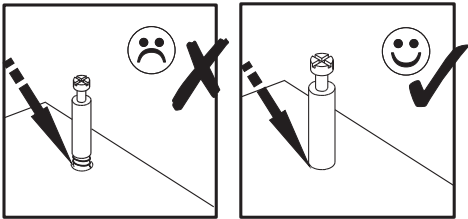
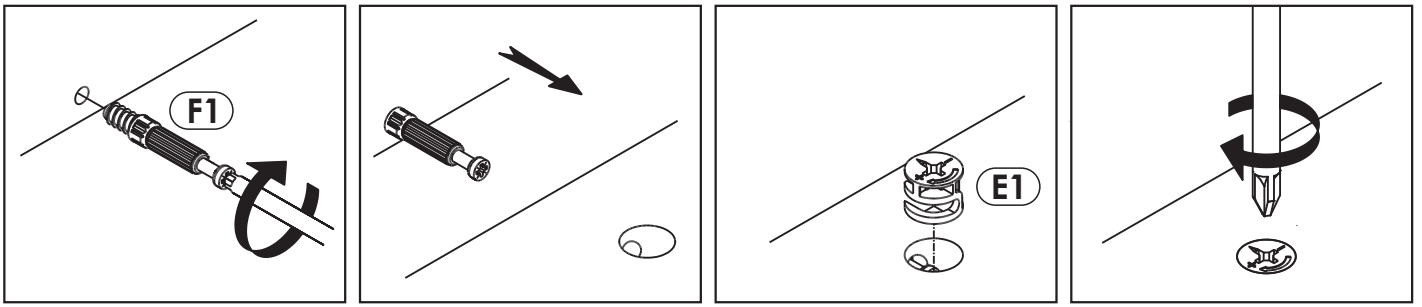
ANGEL 80



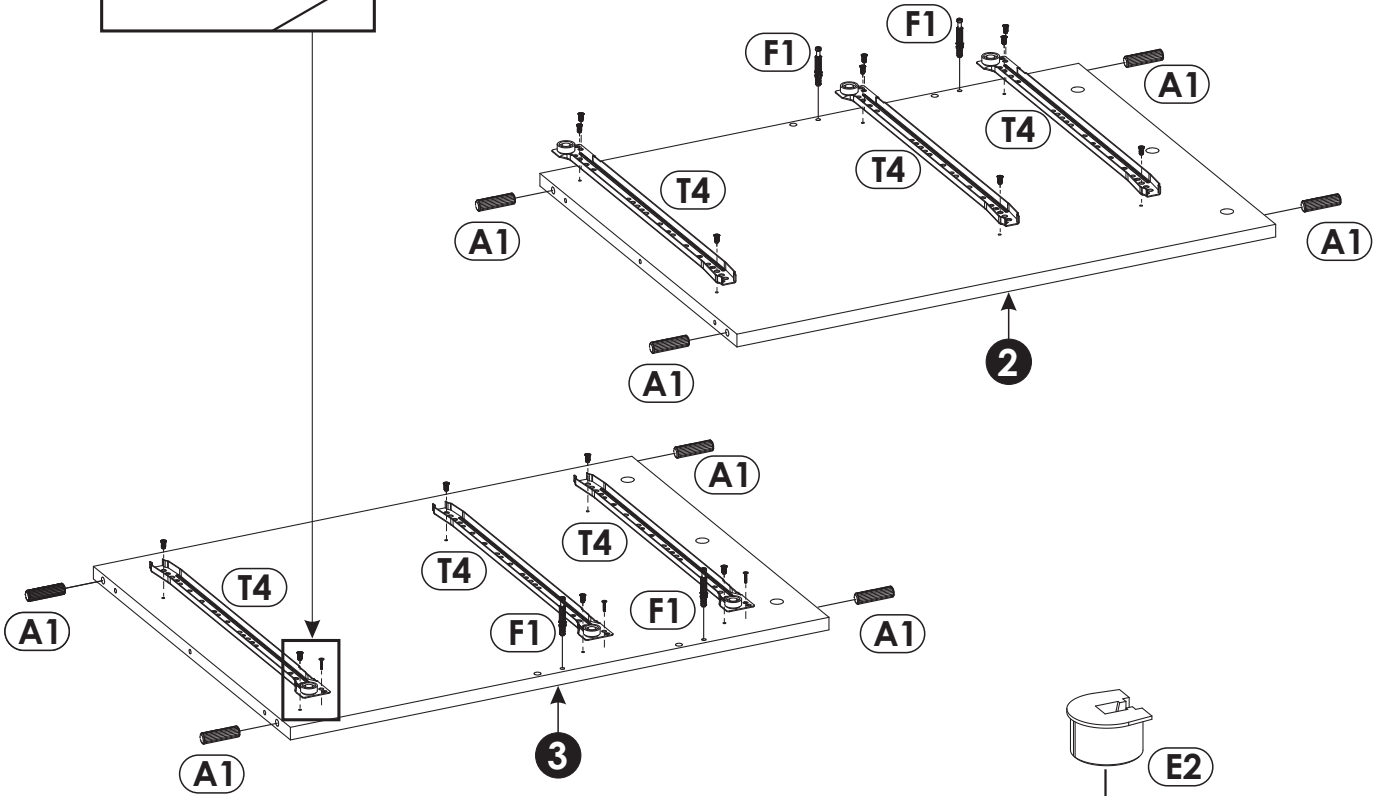
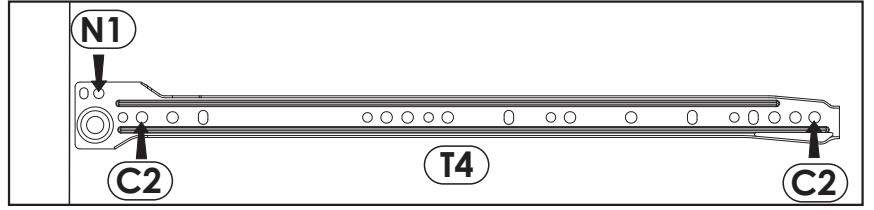
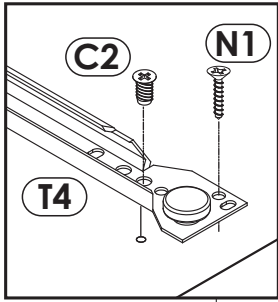
1	744	529	16	x1	1/2
2	693	509	16	x1	2/2
3	693	509	16	x1	2/2
4	744	529	16	x1	1/2
5	744	529	16	x1	1/2
6	1187	600	16	x1	2/2
7	509	458	16	x1	2/2
8	744	70	16	x1	1/2

9	744	70	16	x2	1/2
10	680	160	16	x2	1/2
11	333	60	16	x2	2/2
12	345	157	16	x1	1/2
13	345	157	16	x1	1/2
14	345	339	16	x1	1/2
15	400	80	16	x2	2/2
16	400	80	16	x2	2/2

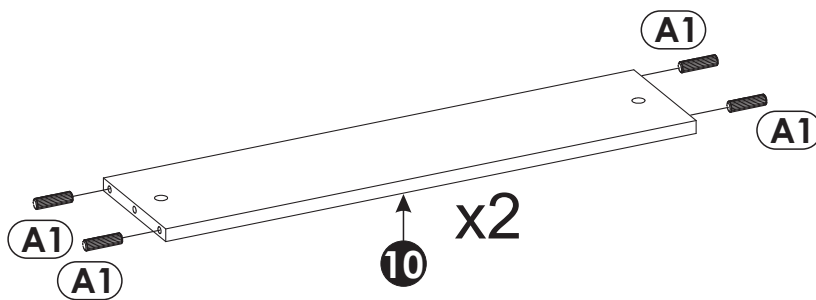
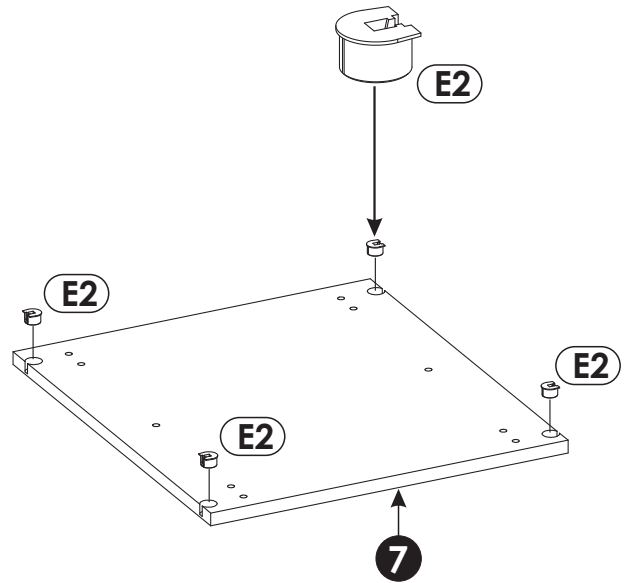
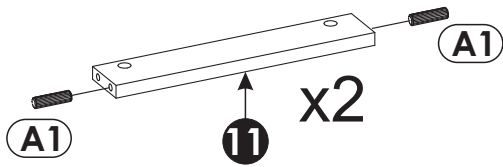
17	277	80	16	x2	2/2
18	405	307	3	x3	1/2
19	400	200	16	x1	2/2
20	400	200	16	x1	2/2
21	277	200	16	x1	1/2
22	277	200	16	x1	1/2
23	714	472	3	x1	1/2



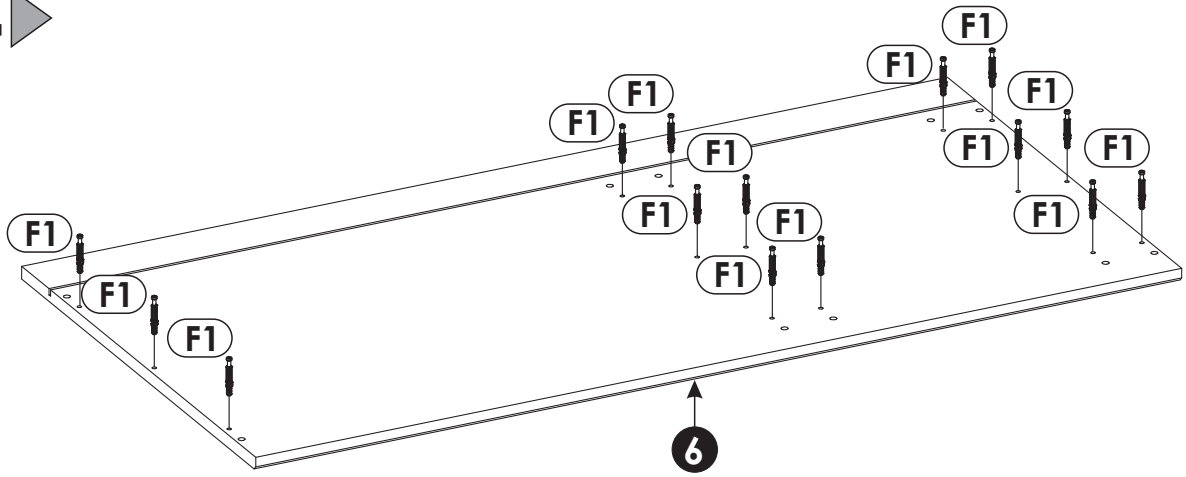
2 ▶



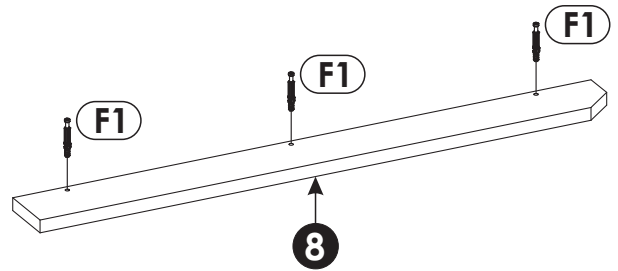
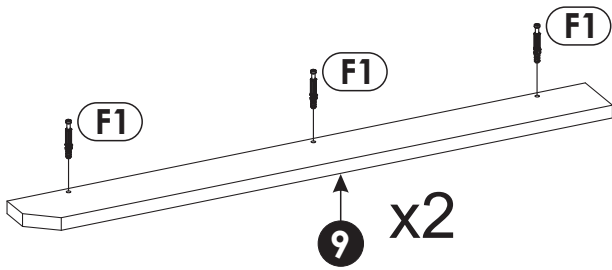
3 ▶



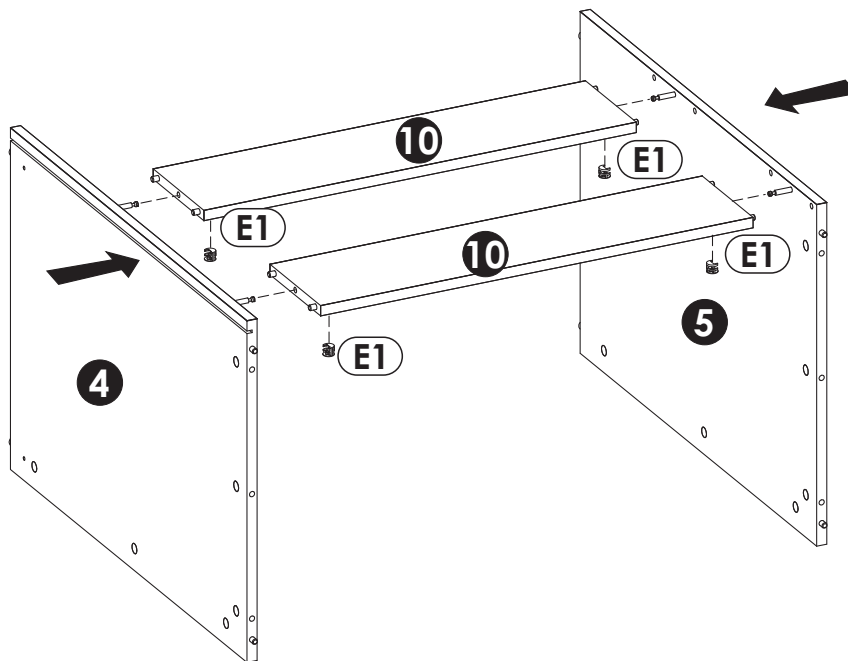
4▶



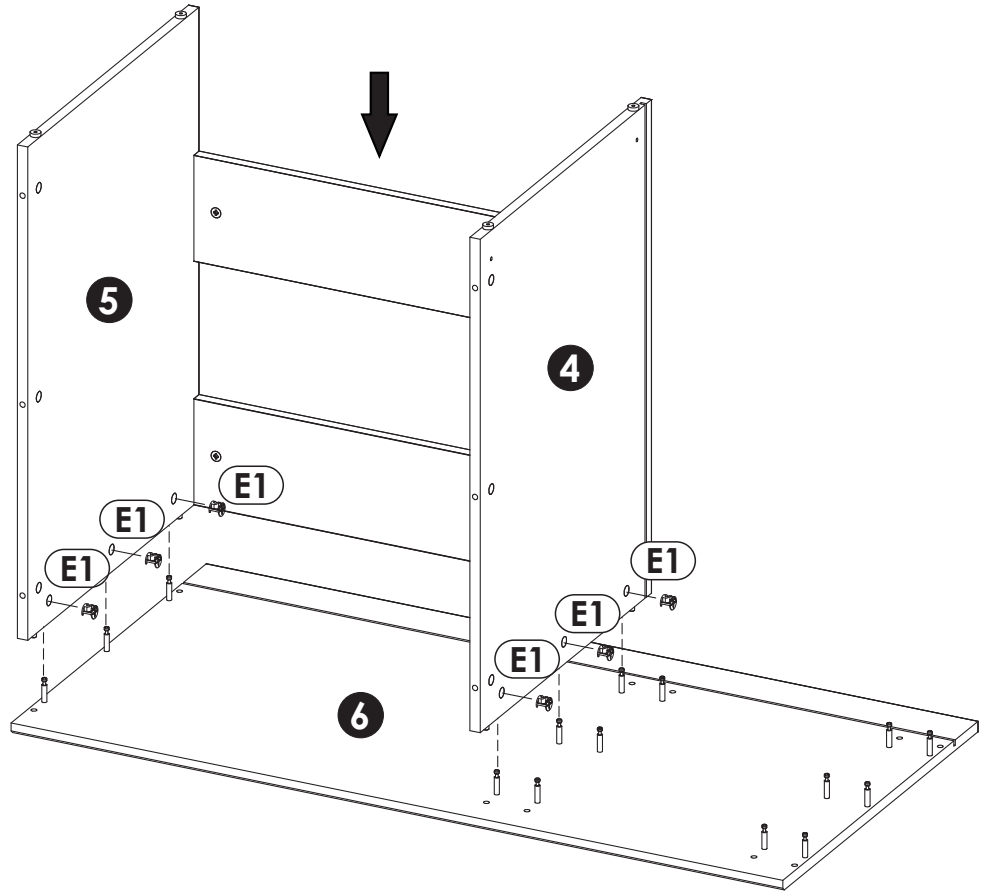
5▶



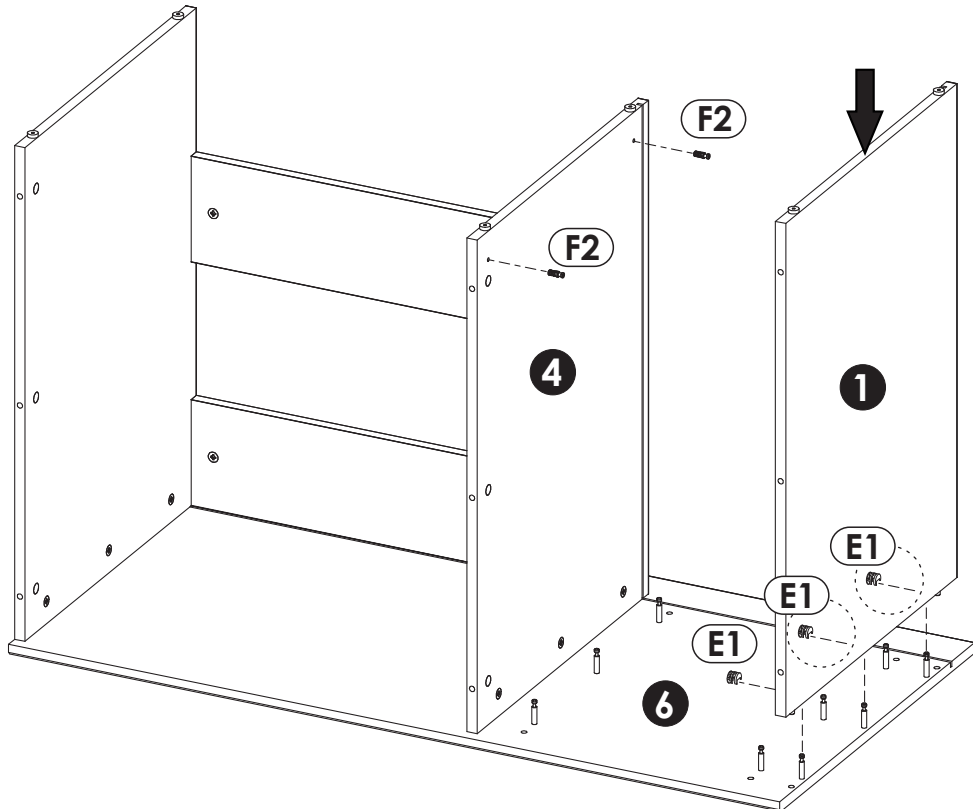
6▶



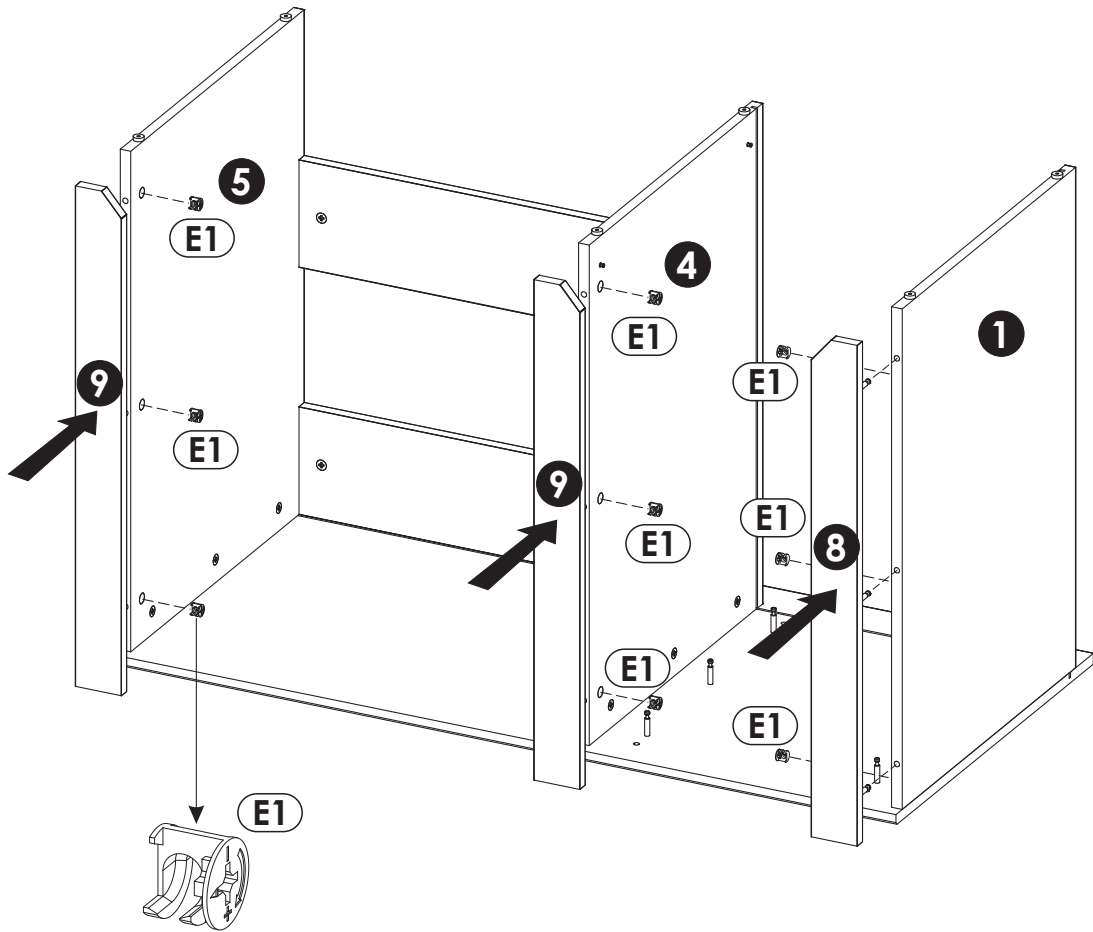
7 ▶



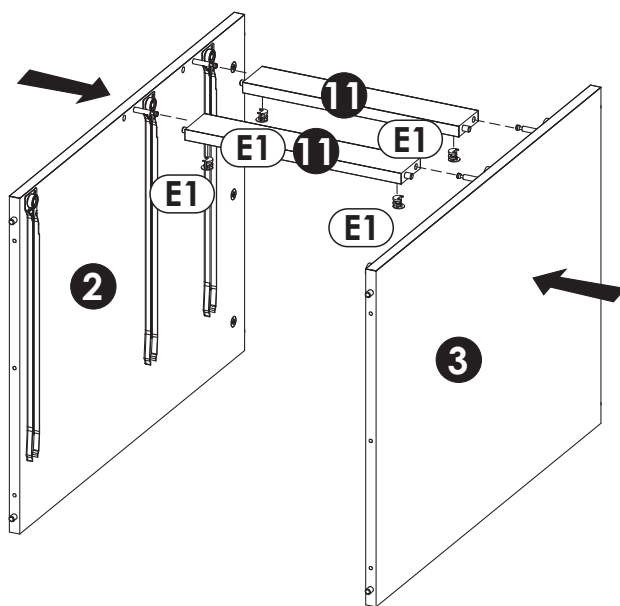
8 ▶



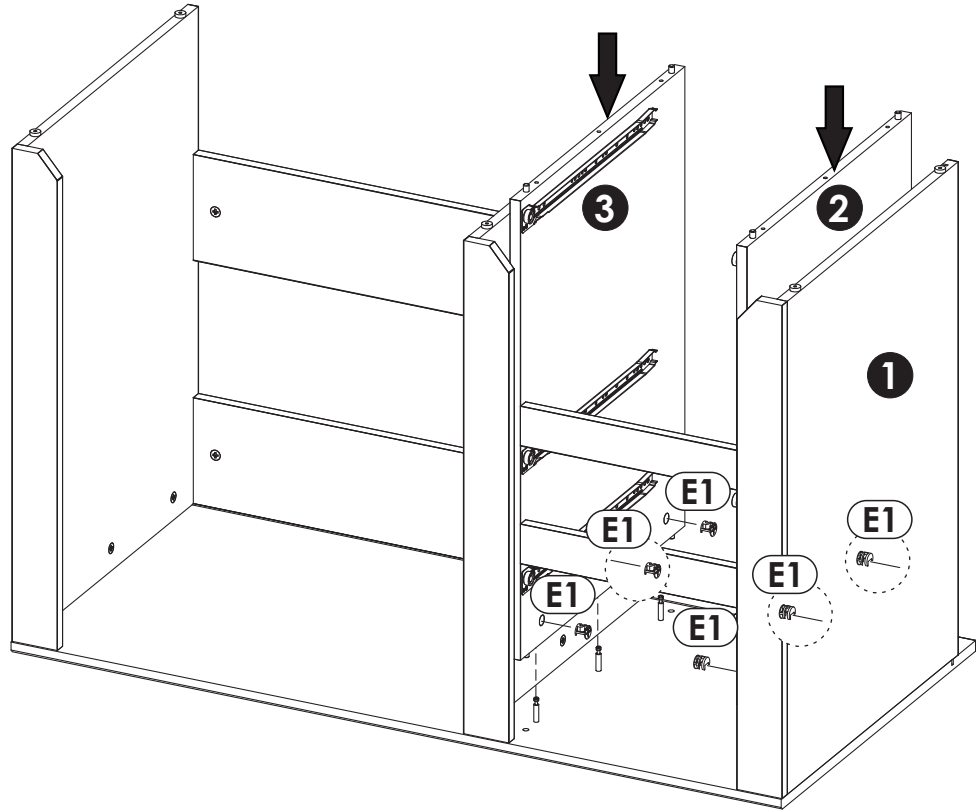
9 ▶



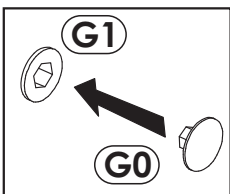
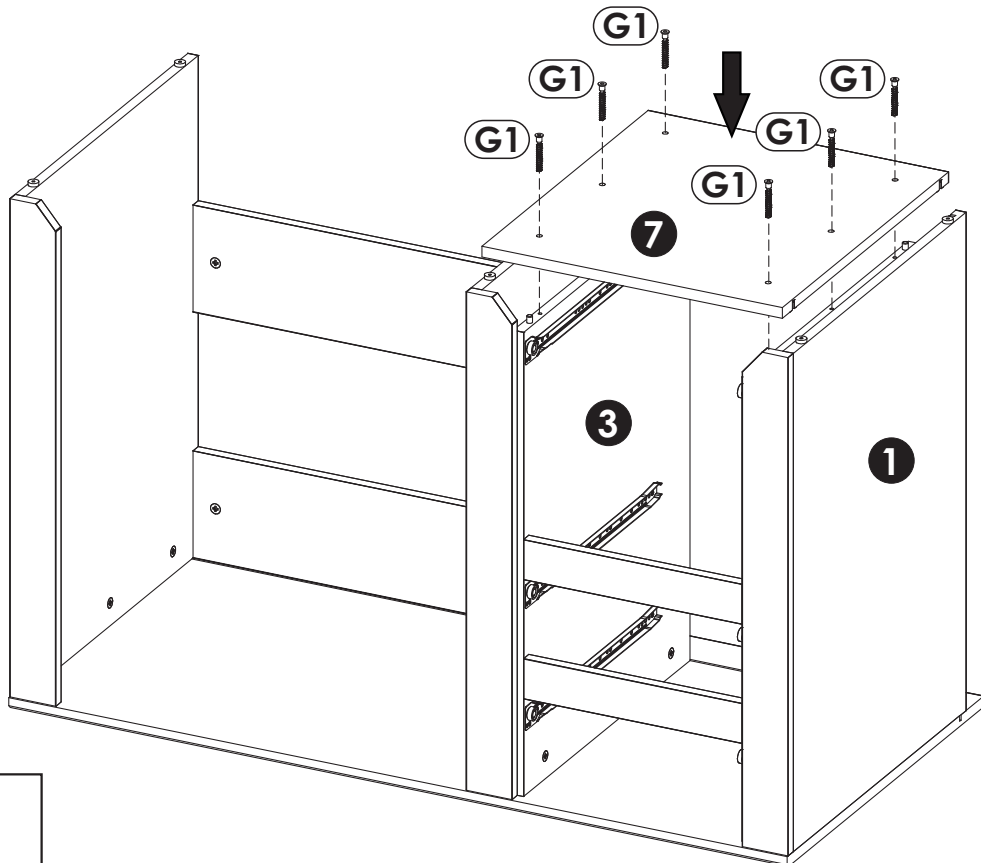
10 ▶



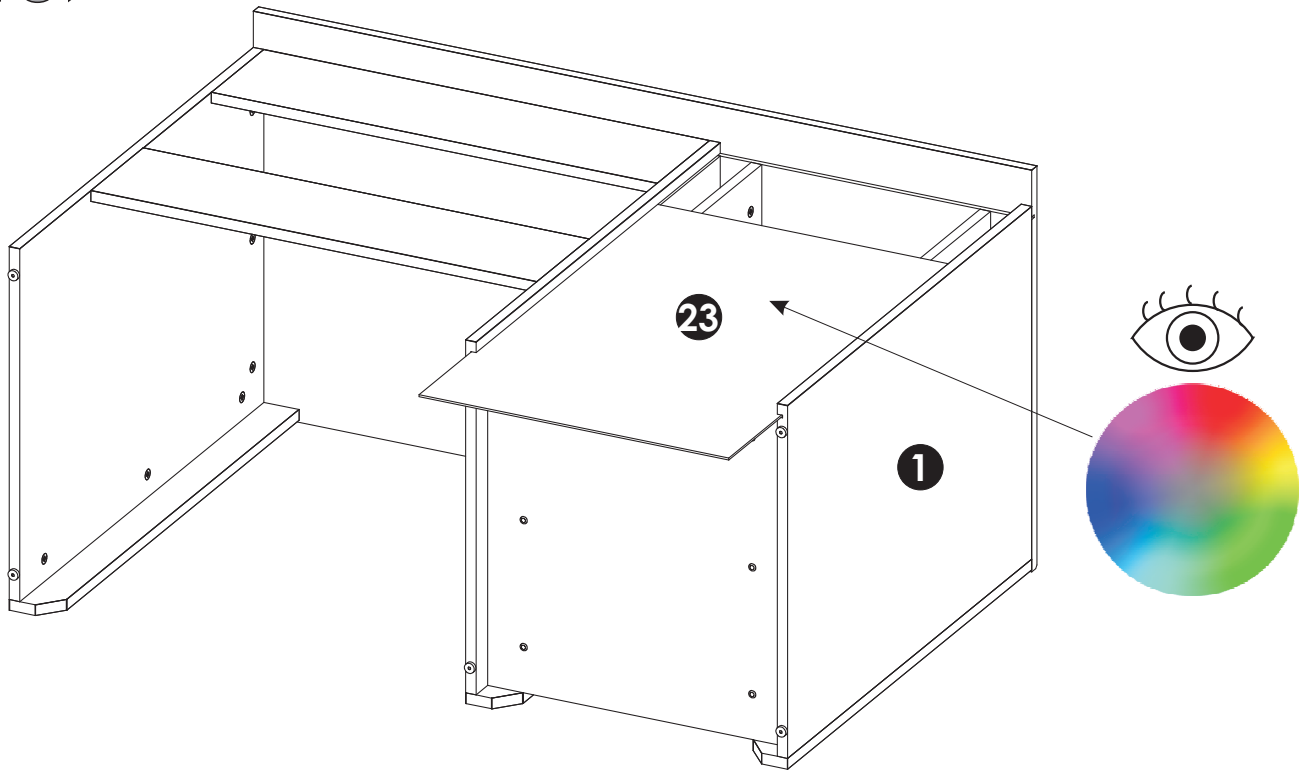
11 ▶



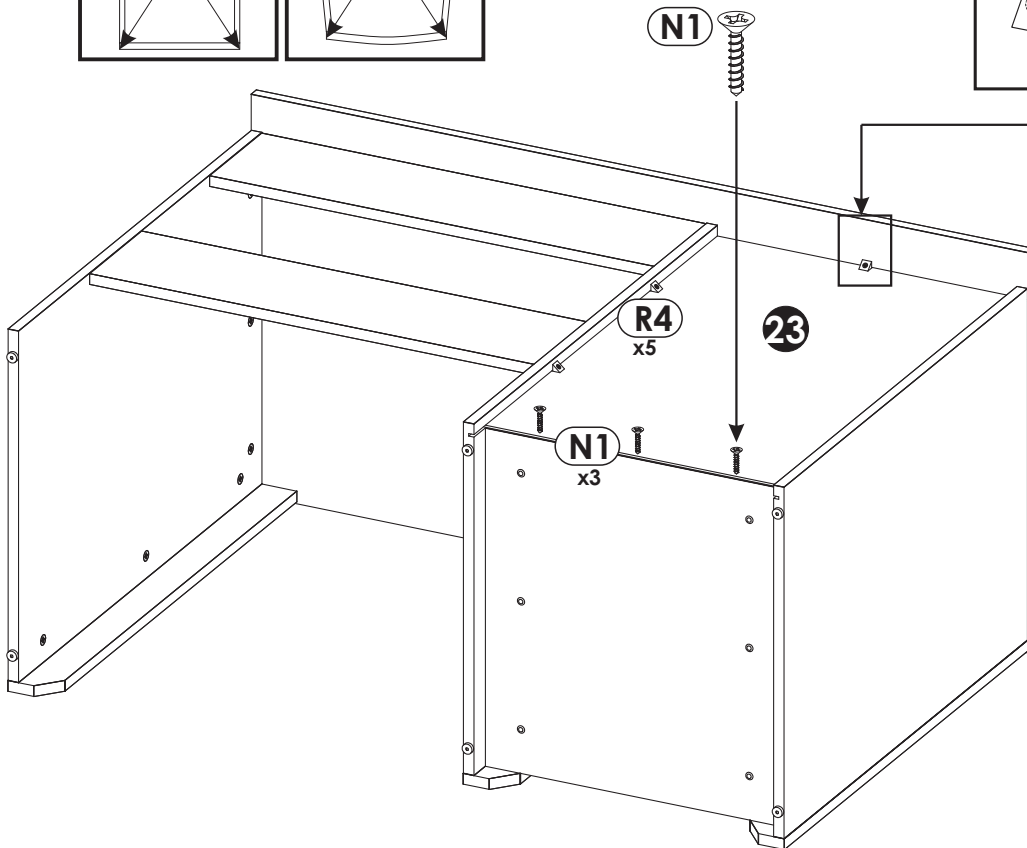
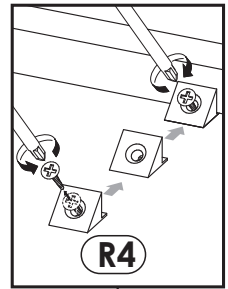
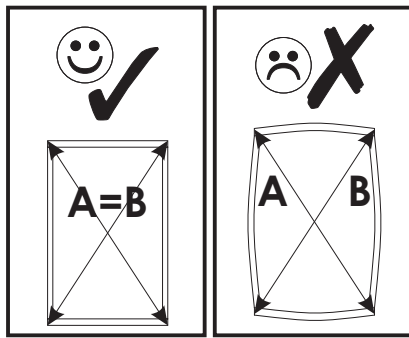
12 ▶



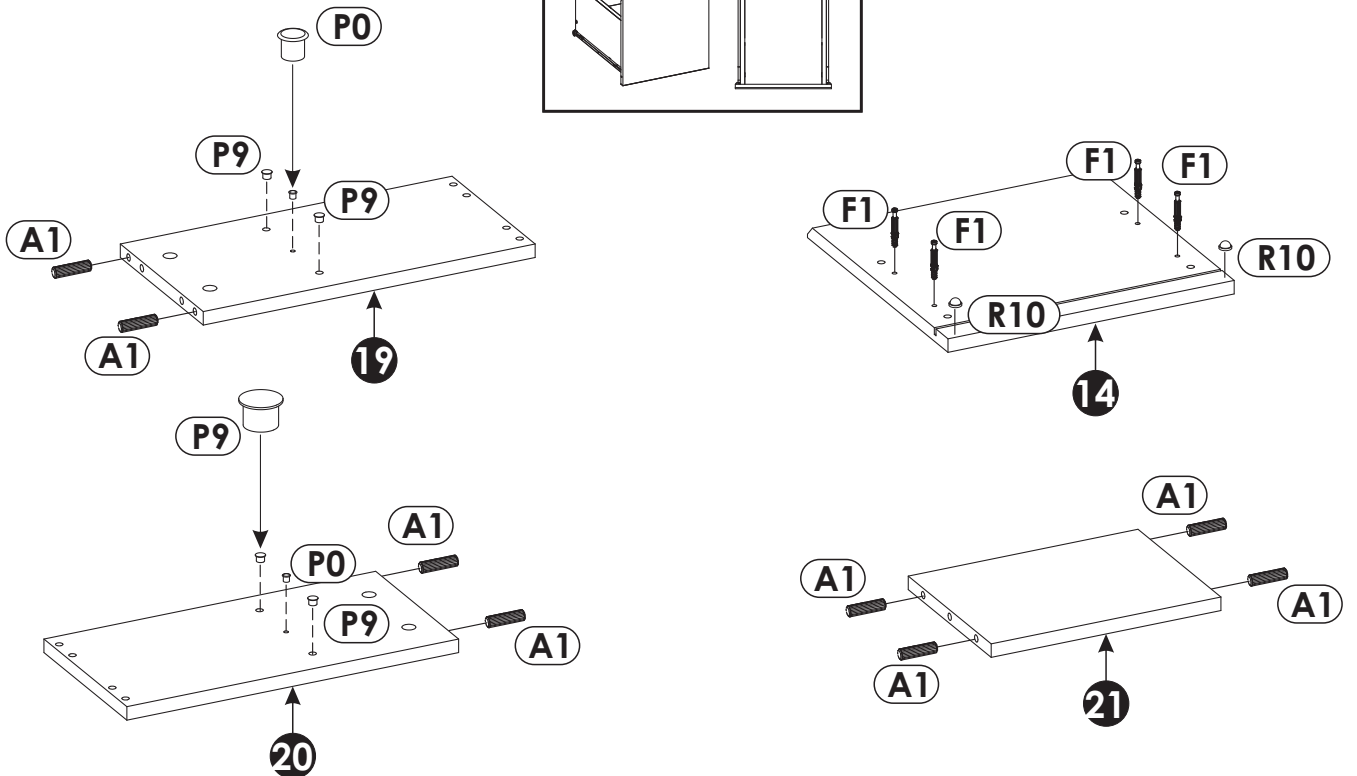
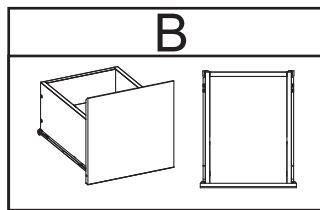
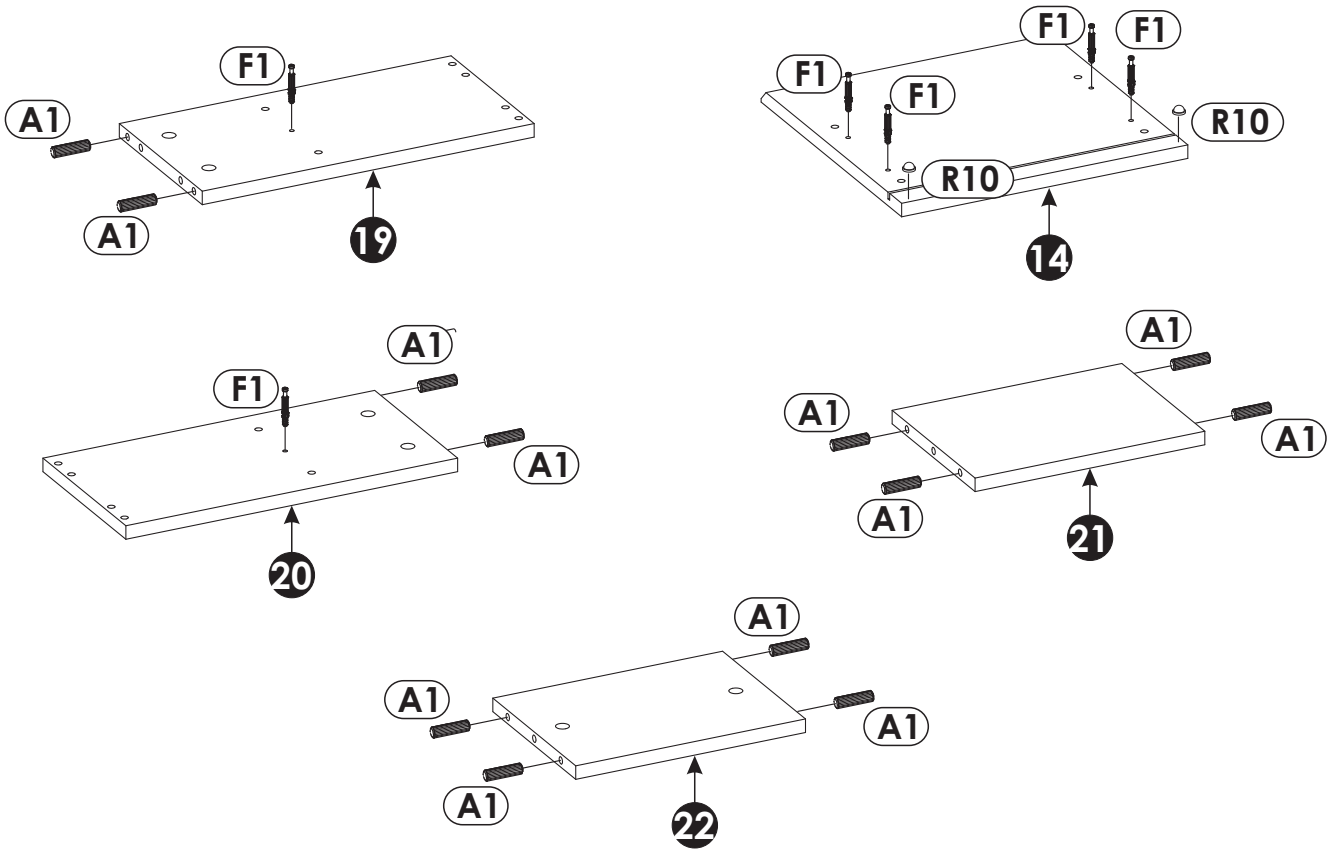
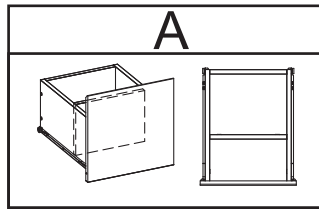
13 ▶



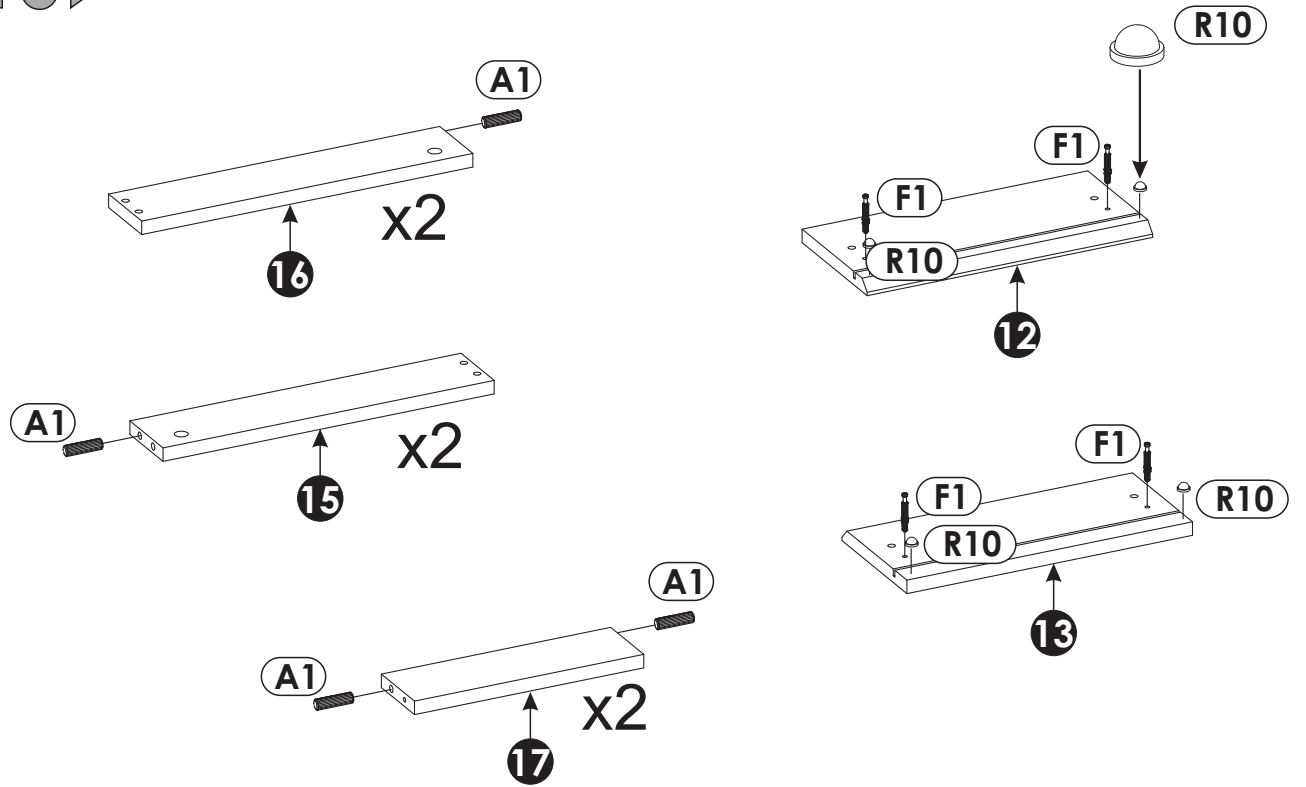
14 ▶



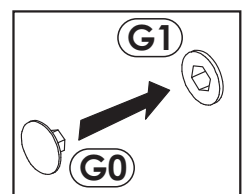
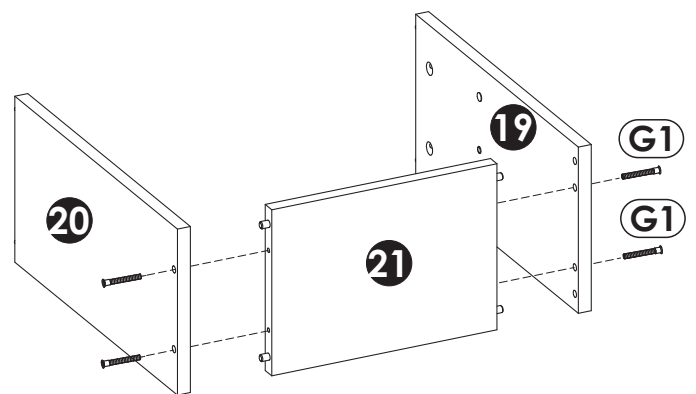
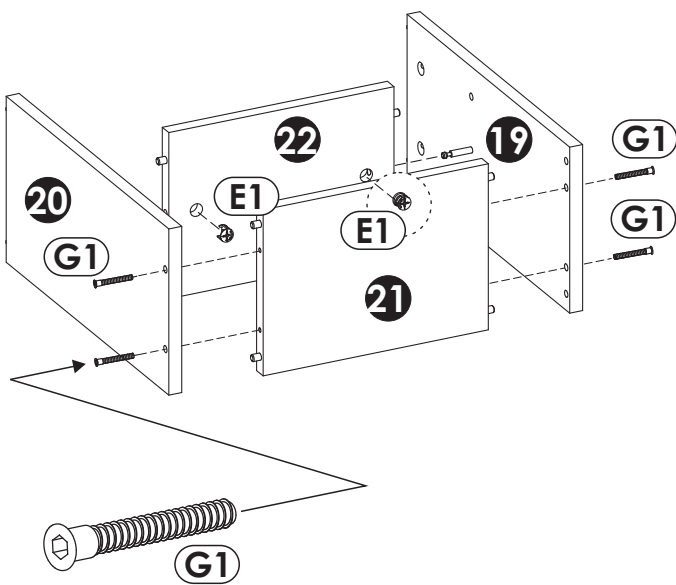
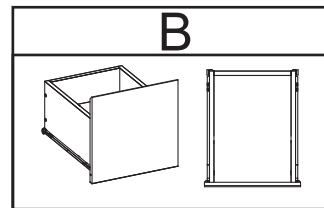
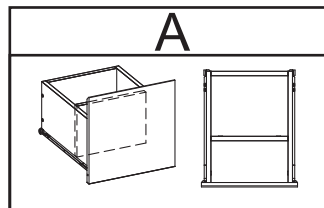
15▶



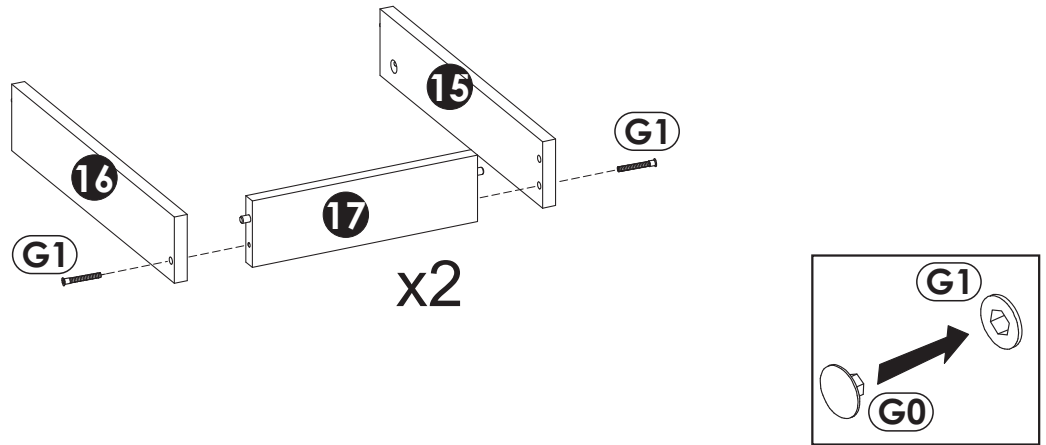
16 ▶



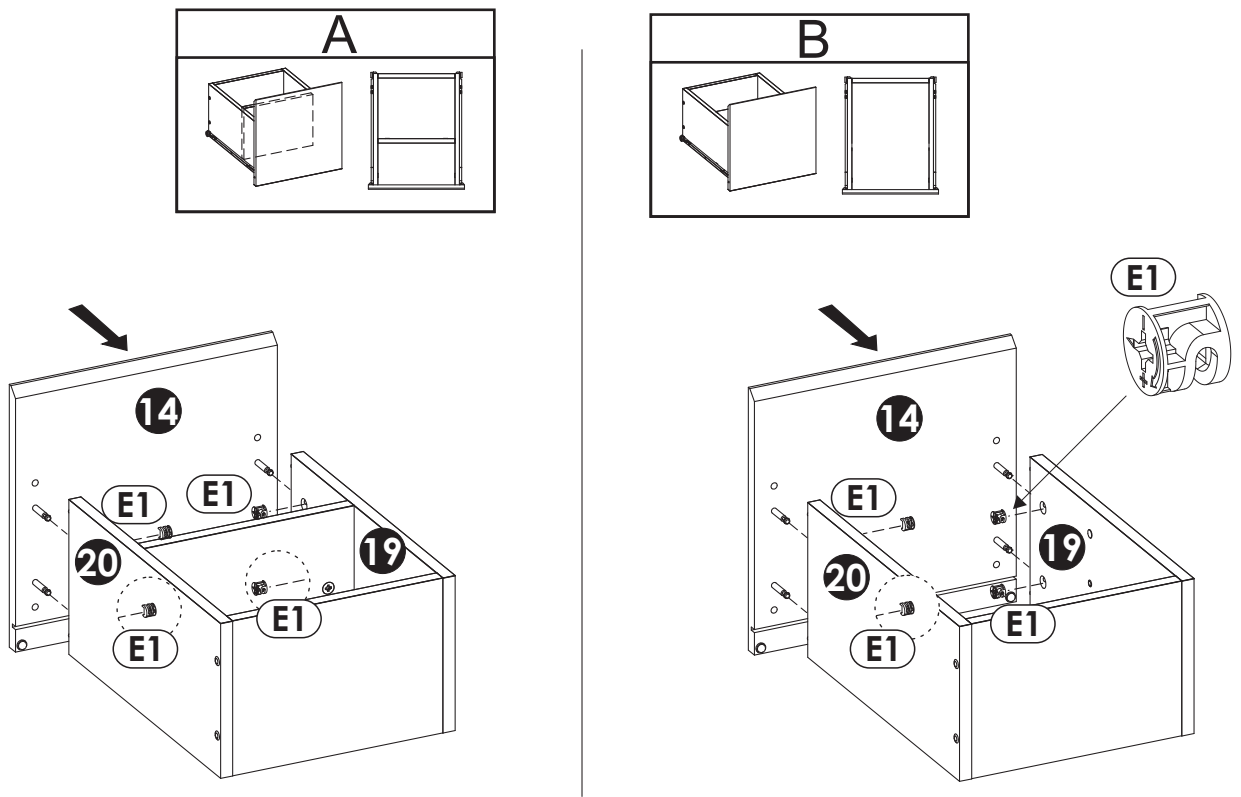
17 ▶



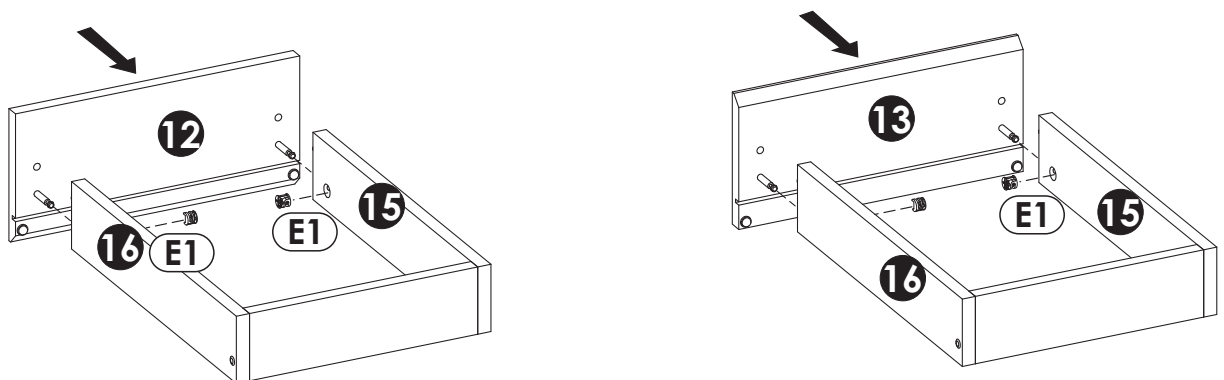
18▶



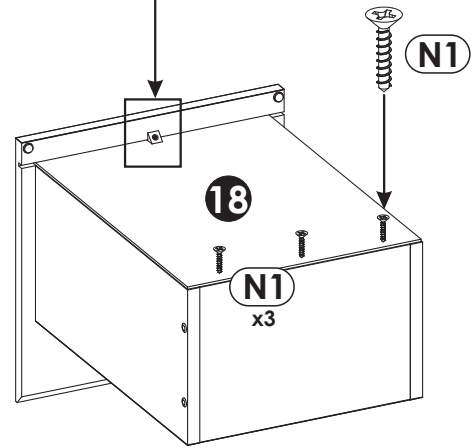
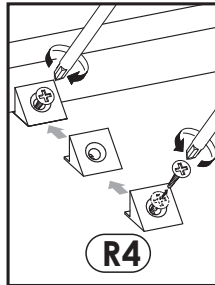
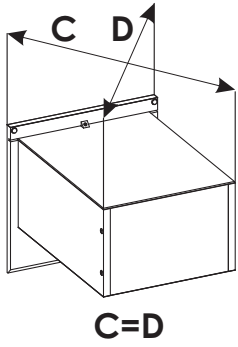
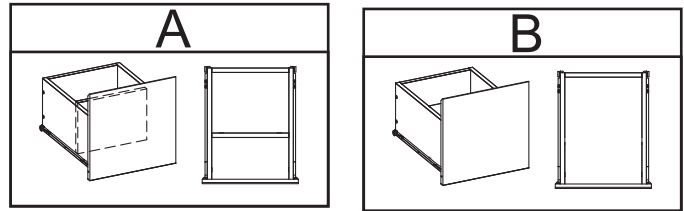
19▶



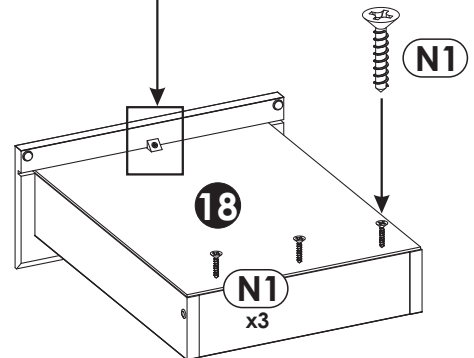
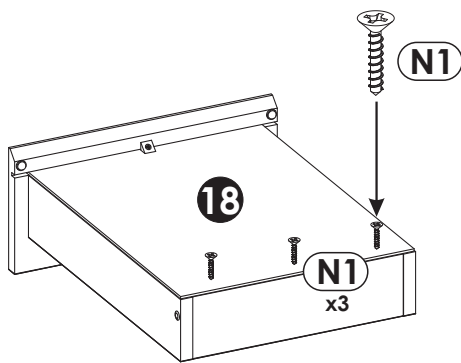
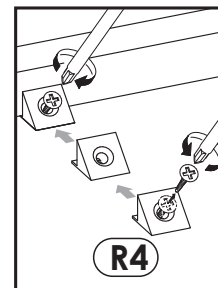
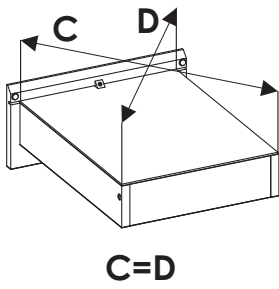
20▶



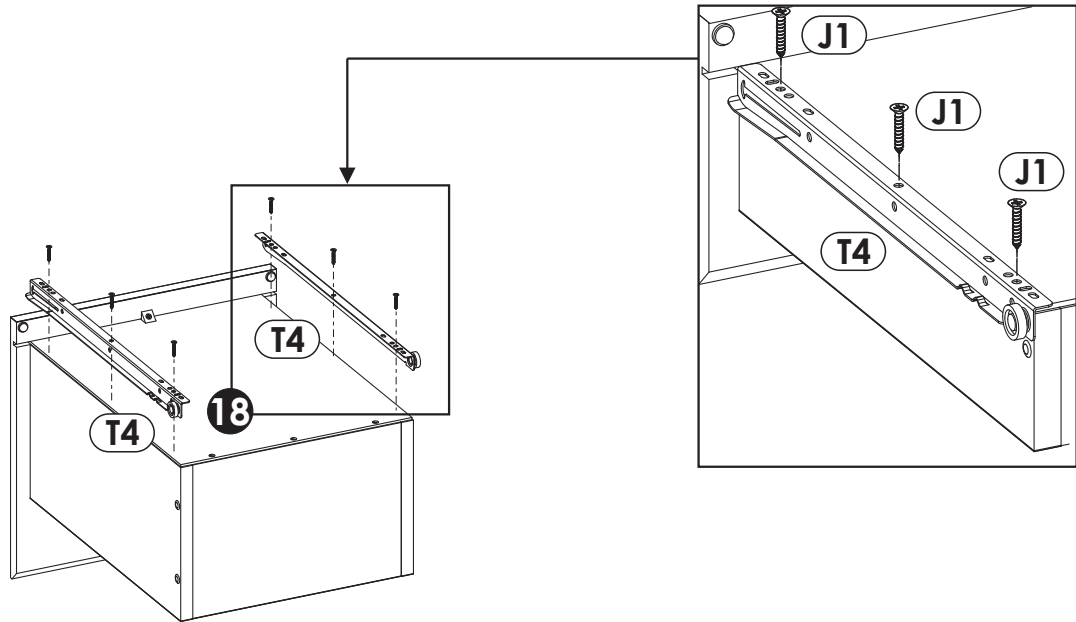
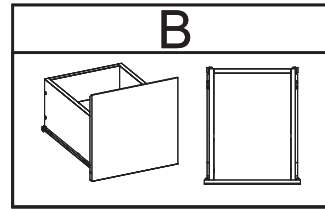
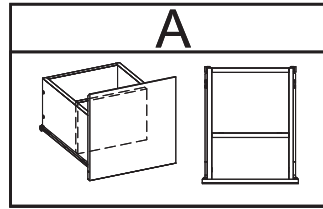
21▶



22▶



23 ▶



24 ▶

