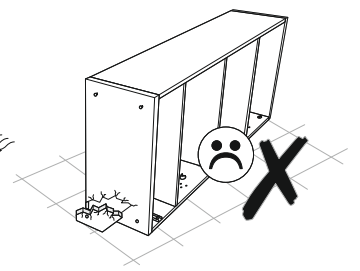
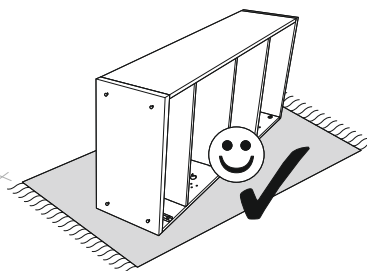
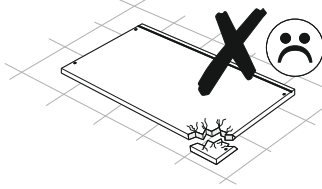
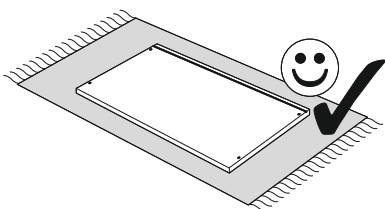
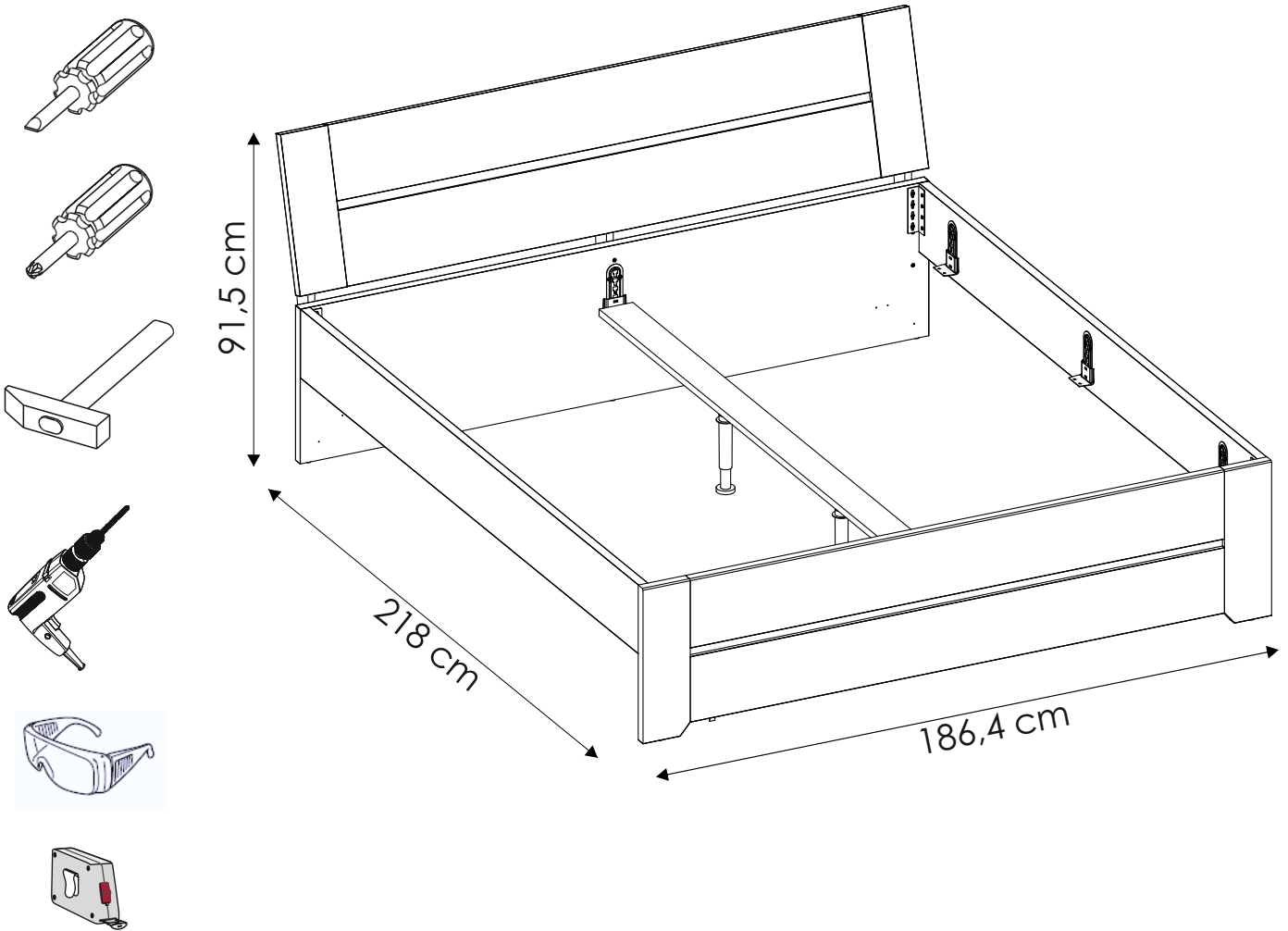
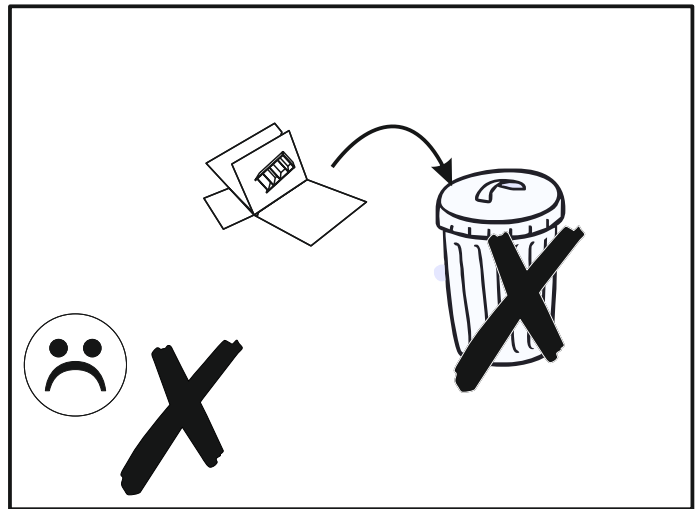
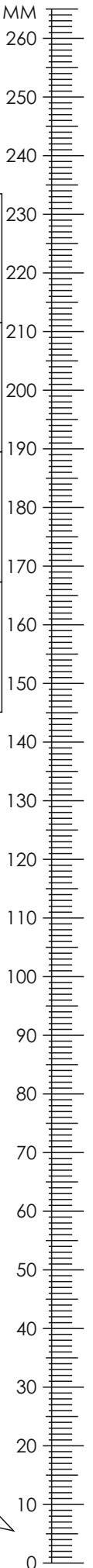





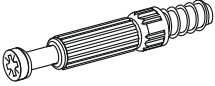


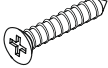
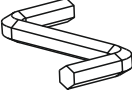

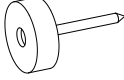
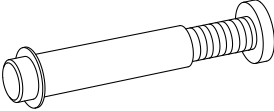
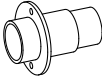
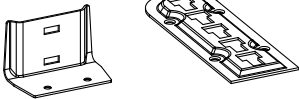
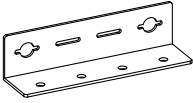
ANGEL 93

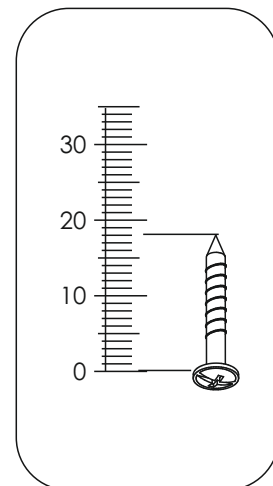




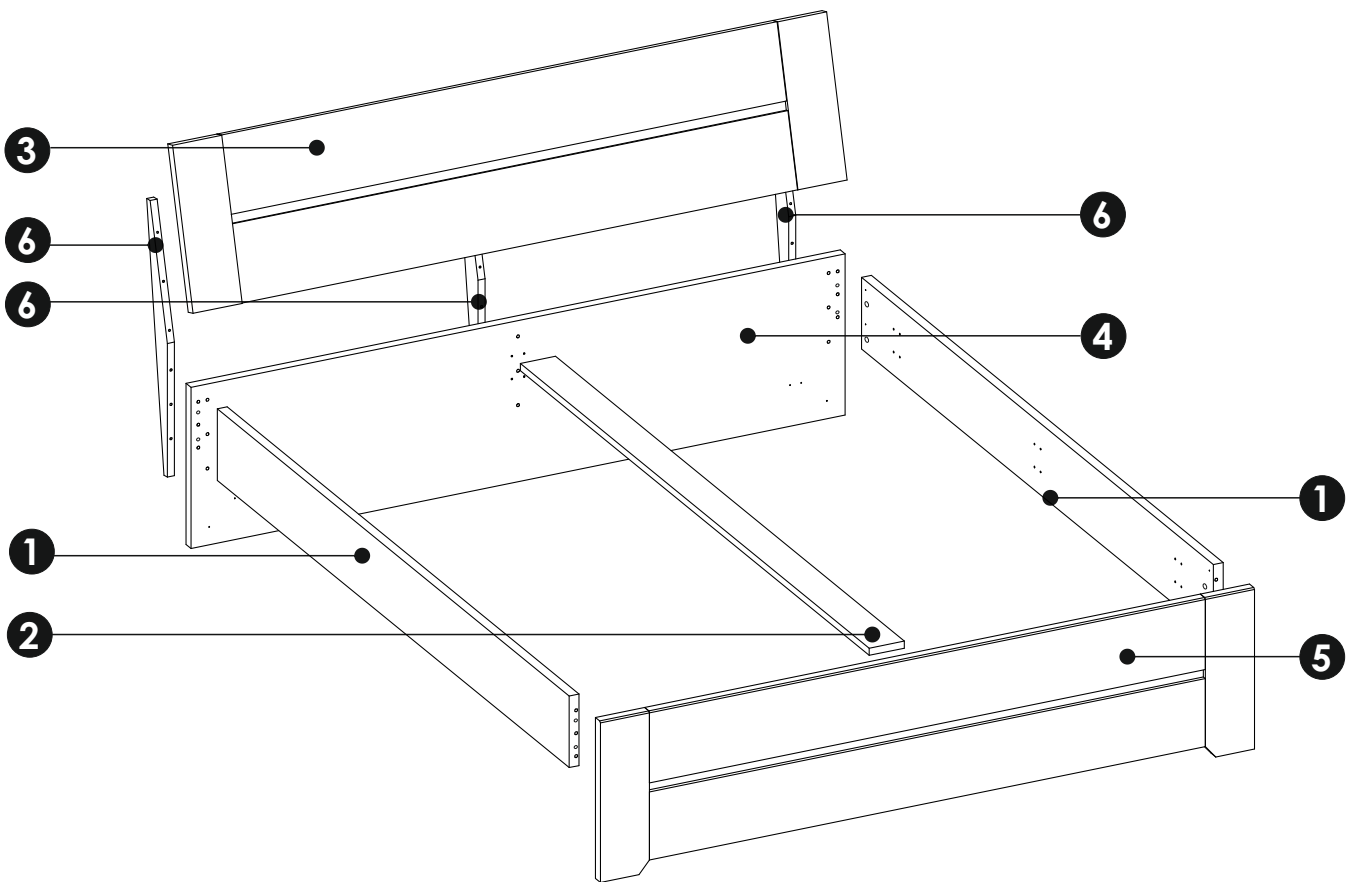
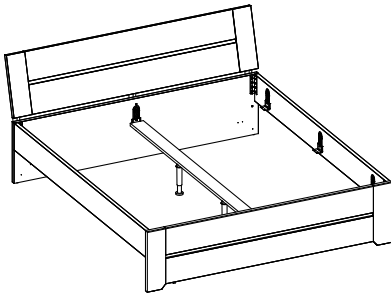
ANGEL 93



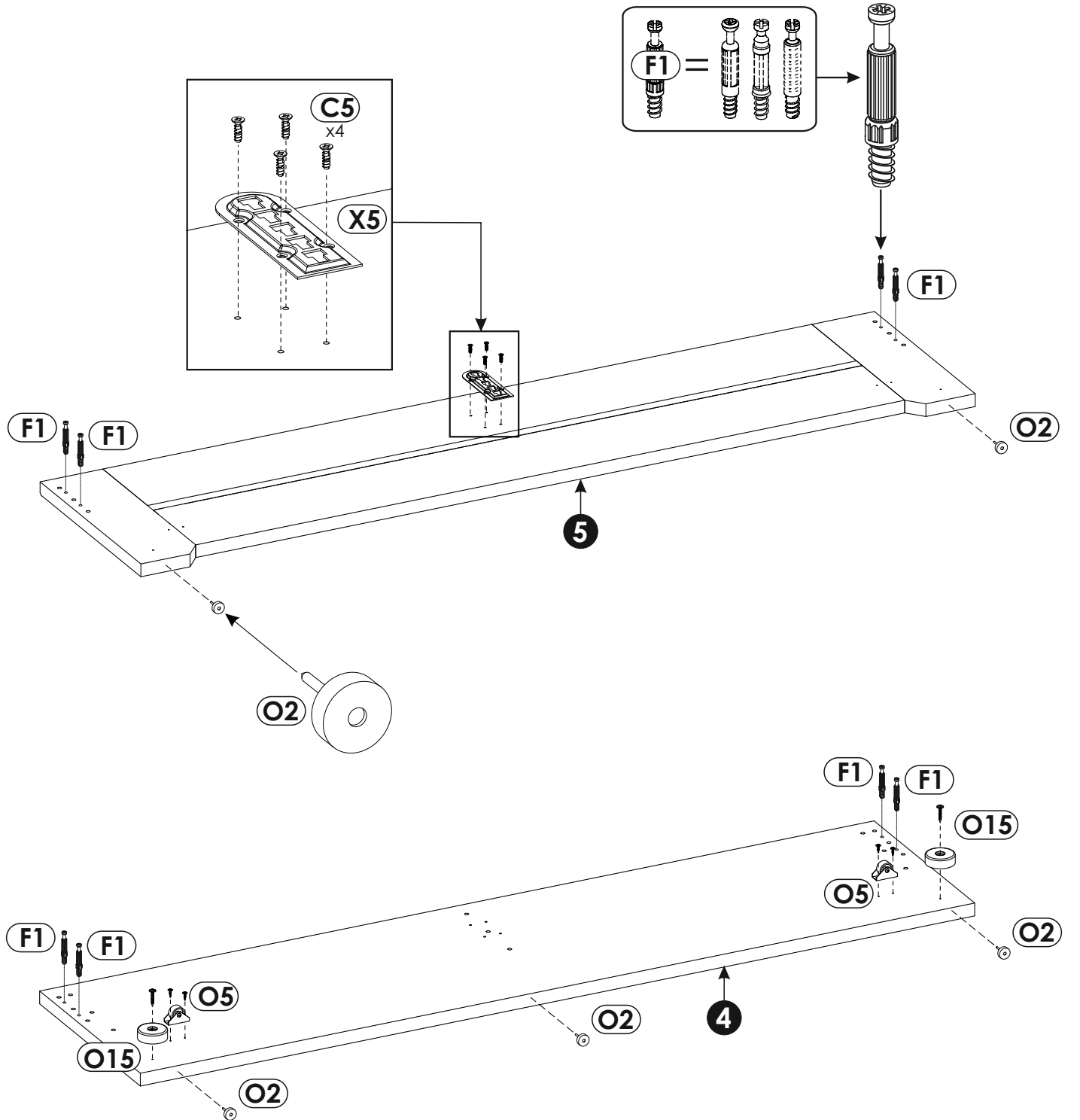
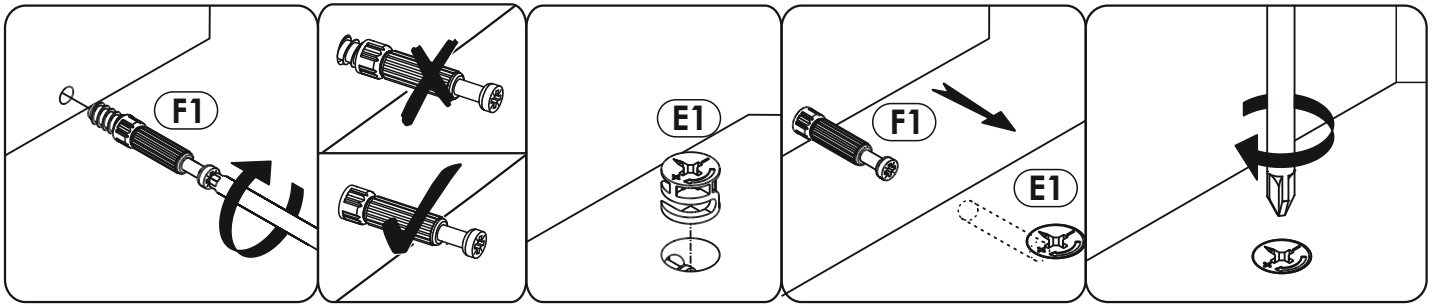
A1 $\varnothing 8 \times 35$ mm x12 	C5 5 x 16 mm x32 	E1 15 x 12 mm x8 
F1 6 x 34 mm x8 	G1 $\varnothing 7 \times 50$ mm x9 	I8 4 x 20 mm x36 
J6 4 x 35 mm x9 	M  x1	N2 3,5 x 16 mm x16 
O2  x5	O20  x2	O21  x2
X5  x8	X6  x4	



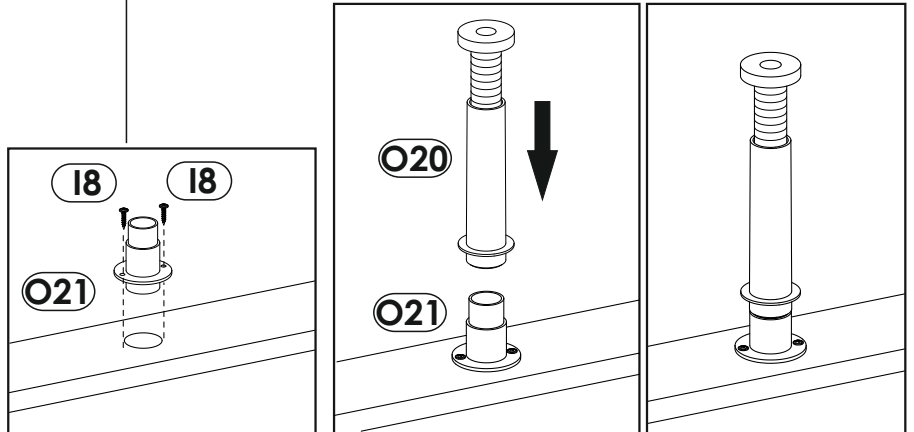
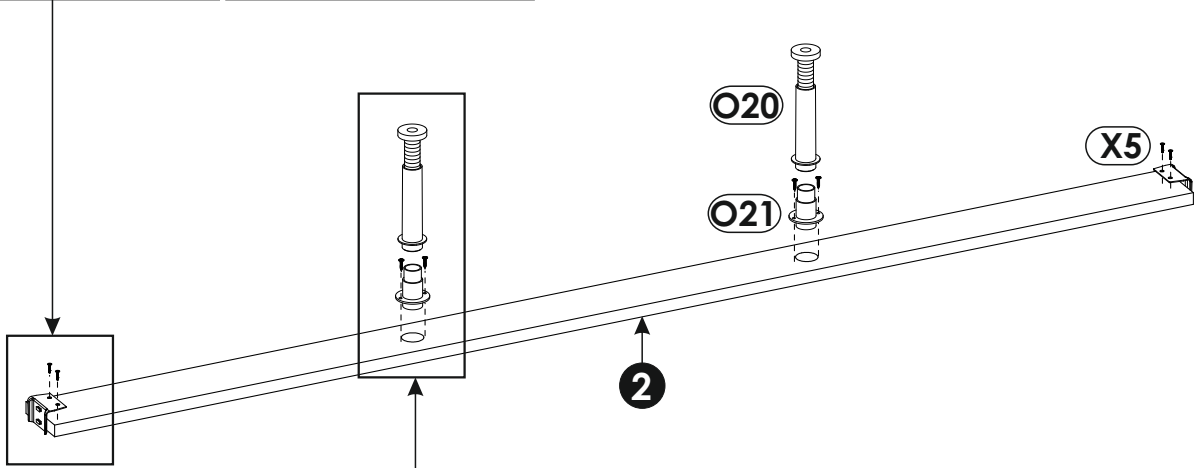
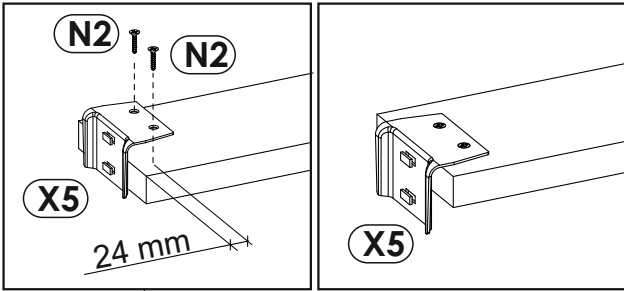
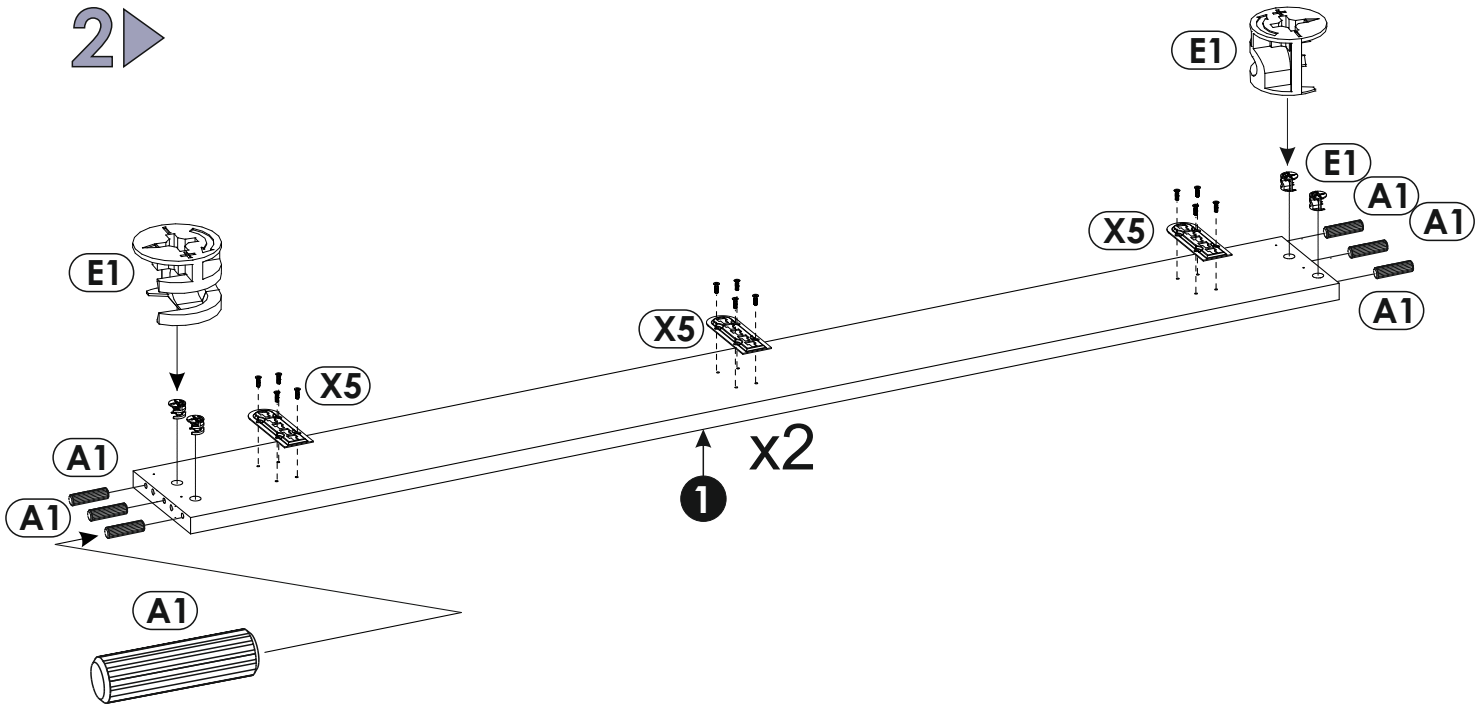
ANGEL 93



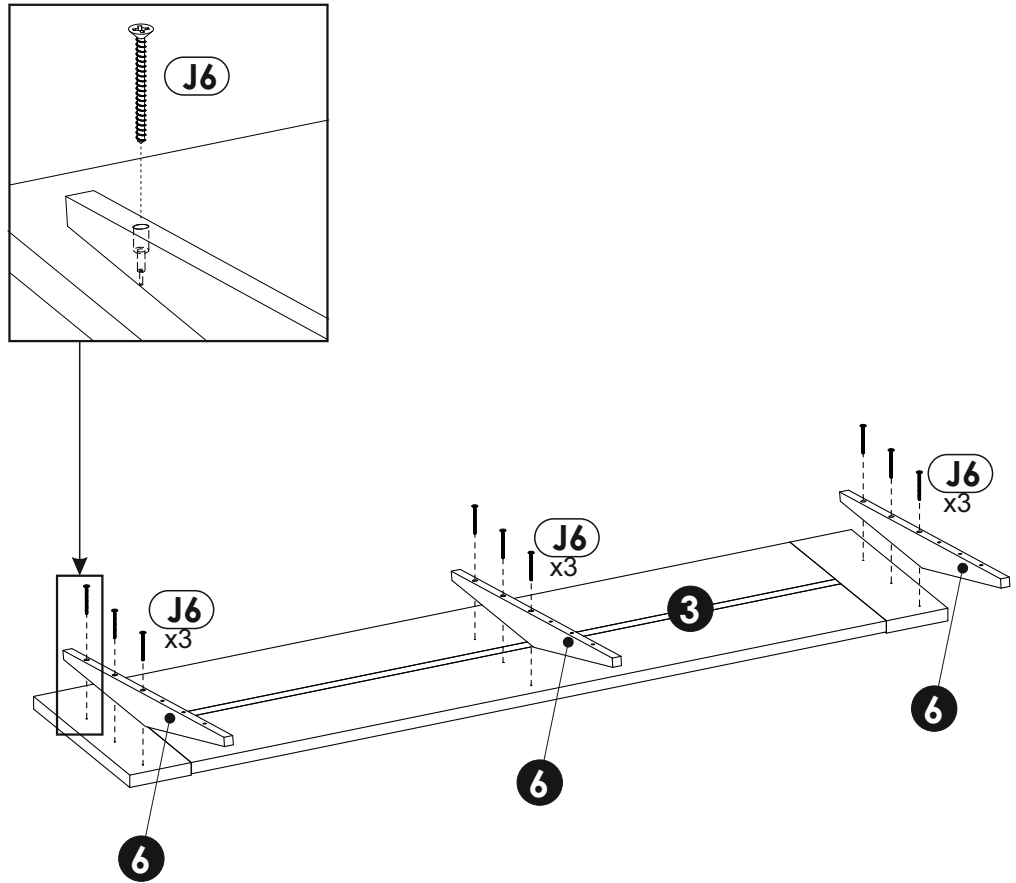
1	2005	200	28	x2	1/3
2	1988	100	20	x1	1/3
3	1864	439	28	x1	2/3
4	1864	450	28	x1	3/3
5	1864	450	28	x1	2/3
6	740	70	20	x3	1/3



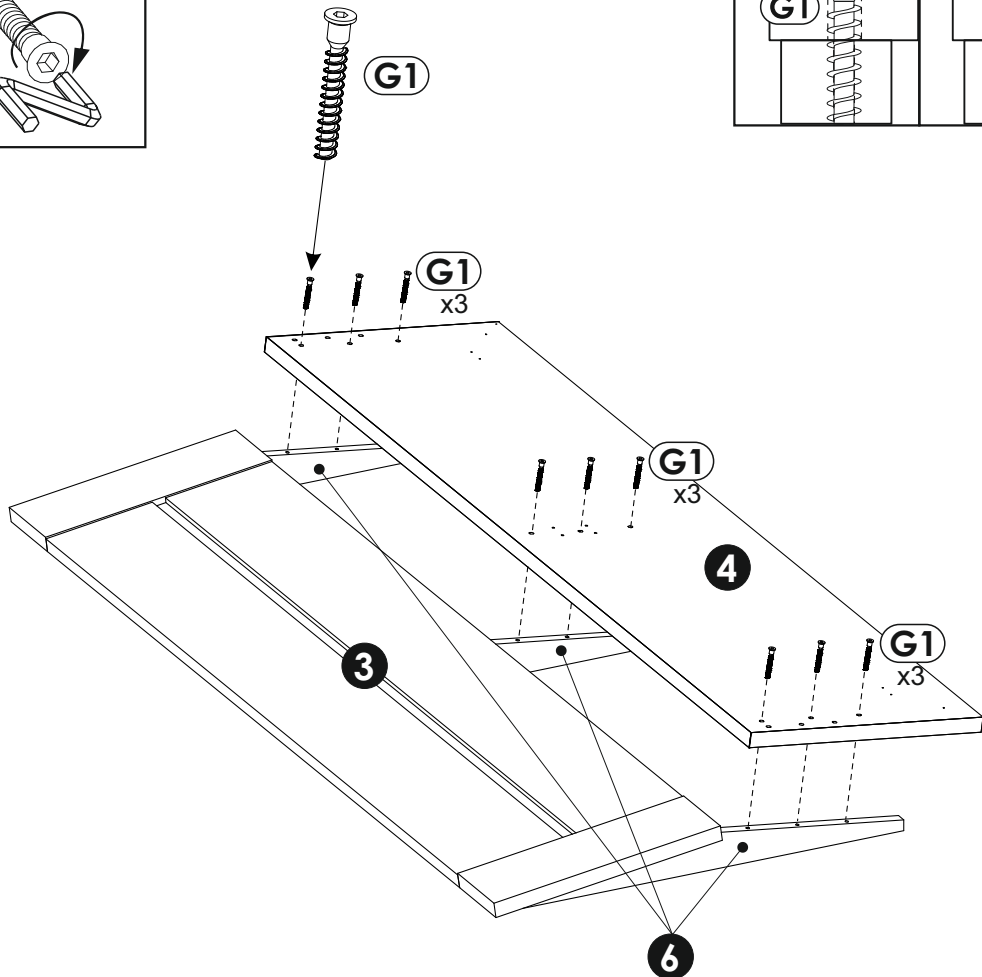
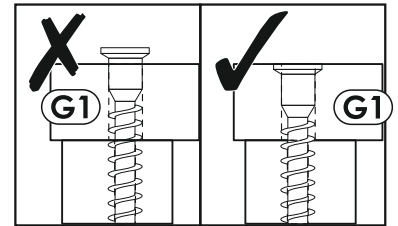
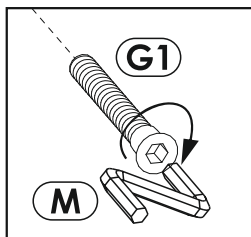
2



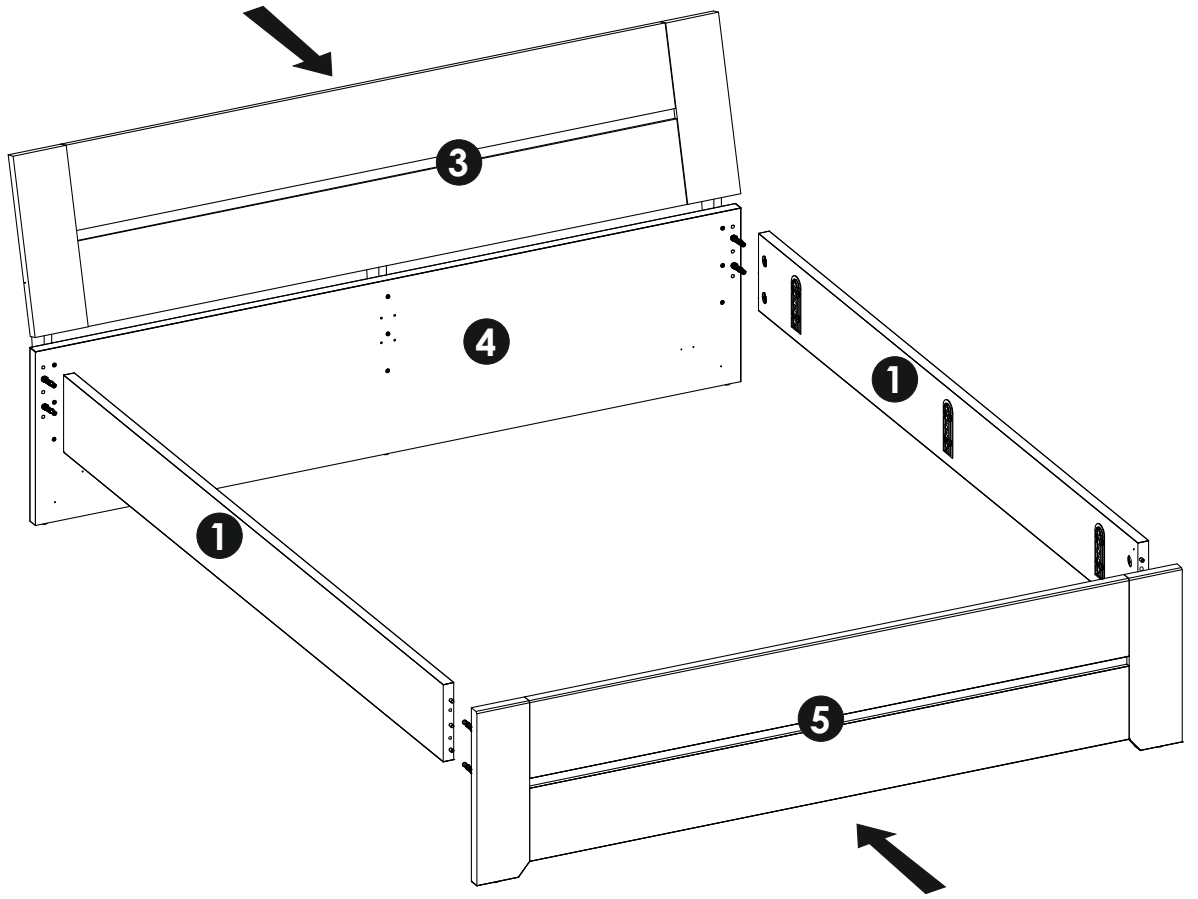
3 ▶



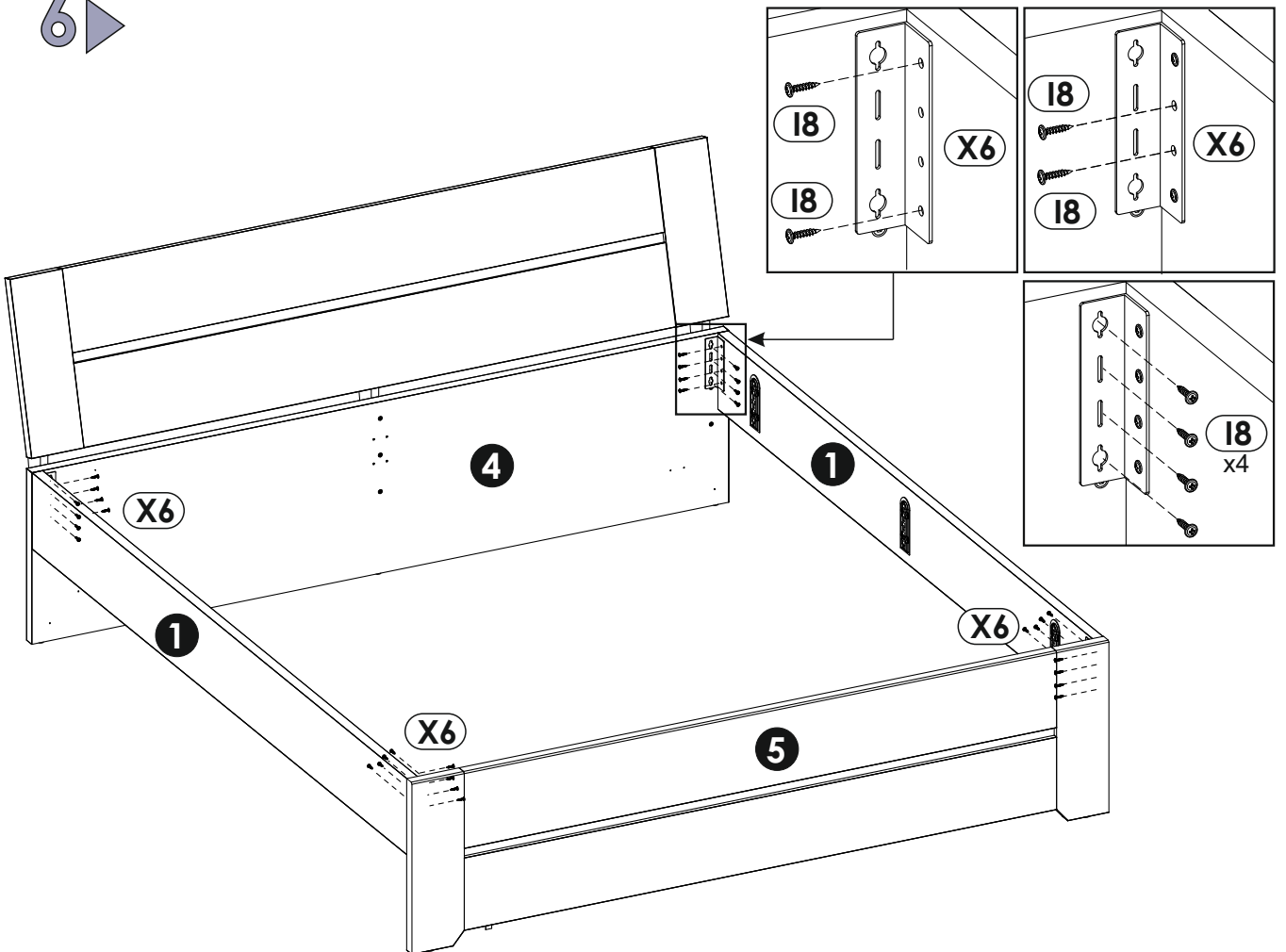
4 ▶



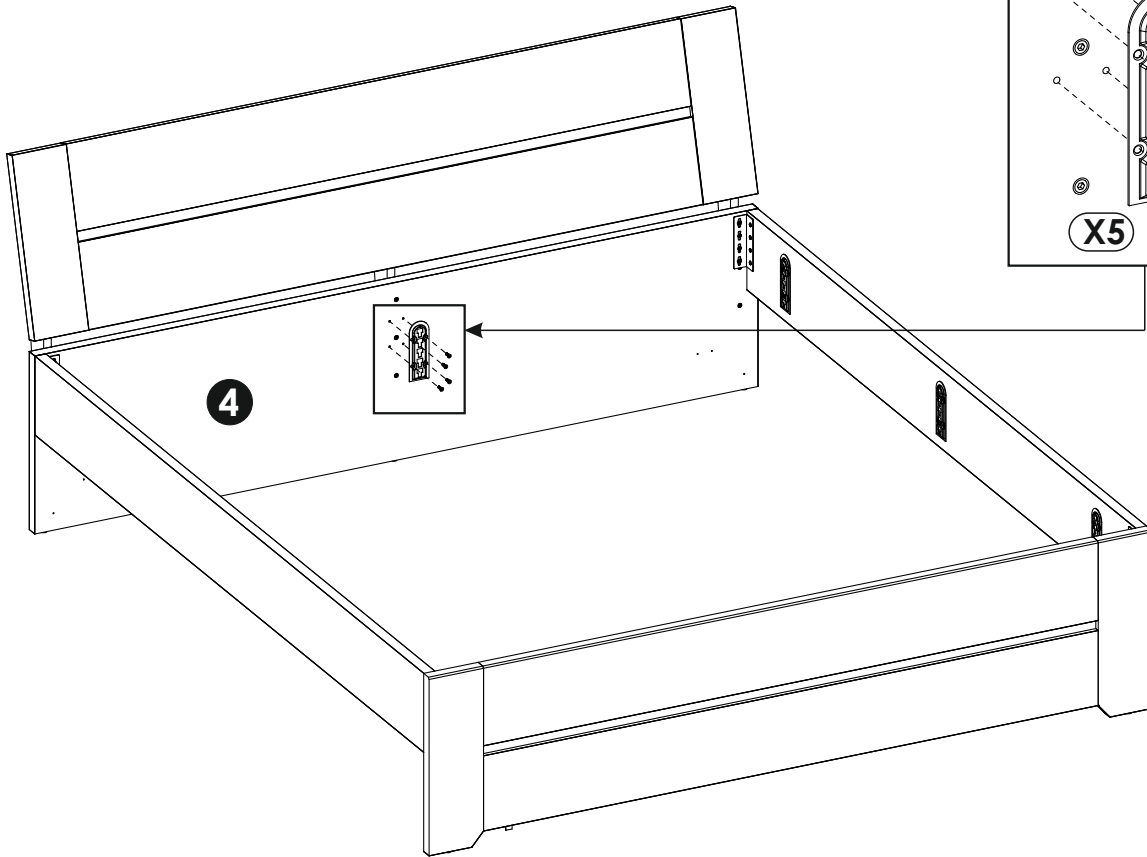
5



6 ▶



7 ▶



8 ▶

