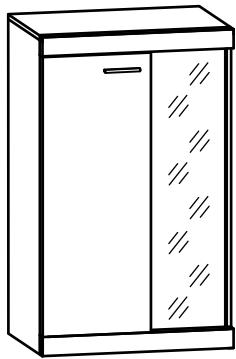
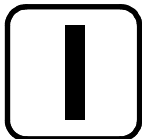
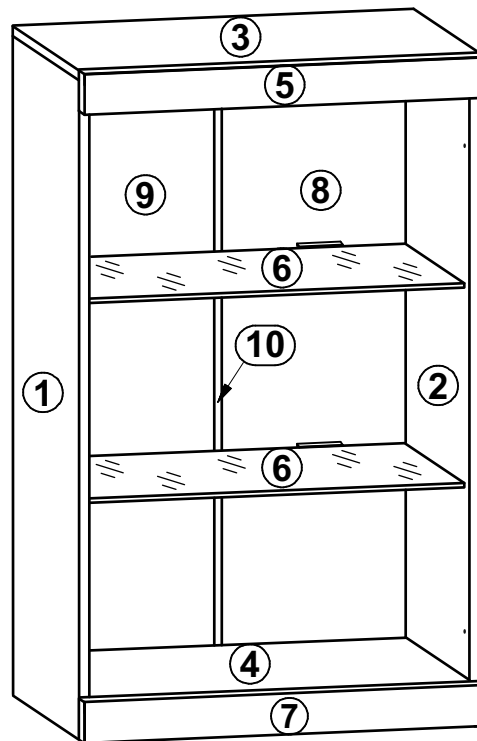


**240 min**

												<p>4x <math>\phi 43/1</math></p>		<p>1x <math>\phi 43/6</math></p>								
4x <b>a43</b>	6x <b>a44</b>	4x <b>b19</b>	6x <b>b33</b>	5x <b>c235</b>	16x <b>d3</b>	4x <b>d5</b>	12x <b>e1</b>	2x <b>e2</b>	6x <b>e3</b>	4x <b>e4</b>	4x <b>e5</b>	4x <b>e19</b>	40x <b>f1</b>	4x <b>f25</b>	7x <b>f35</b>	2x <b>g2</b>						
12x <b>k1</b>	30x <b>l2</b>	2x <b>m3</b>	3x <b>n14/2</b>	1x <b>n165L</b>	1x <b>n165P</b>	14x <b>o1</b>	2x <b>o21</b>	6x <b>p1</b>	10x <b>p9</b>	5x <b>p17</b>	4x <b>p21</b>	32x <b>p38</b>	20x <b>p51</b>	2x <b>p75</b>	74x <b>r1</b>	74x <b>r42</b>	16x <b>s2</b>	1x <b>w37DR</b>	1x <b>w37CR</b>	1x <b>w37DL</b>	1x <b>w37CL</b>	1x <b>z1</b>

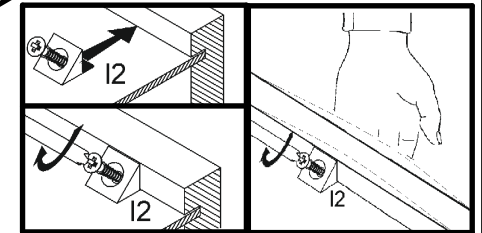
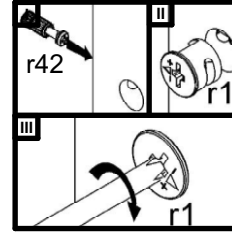
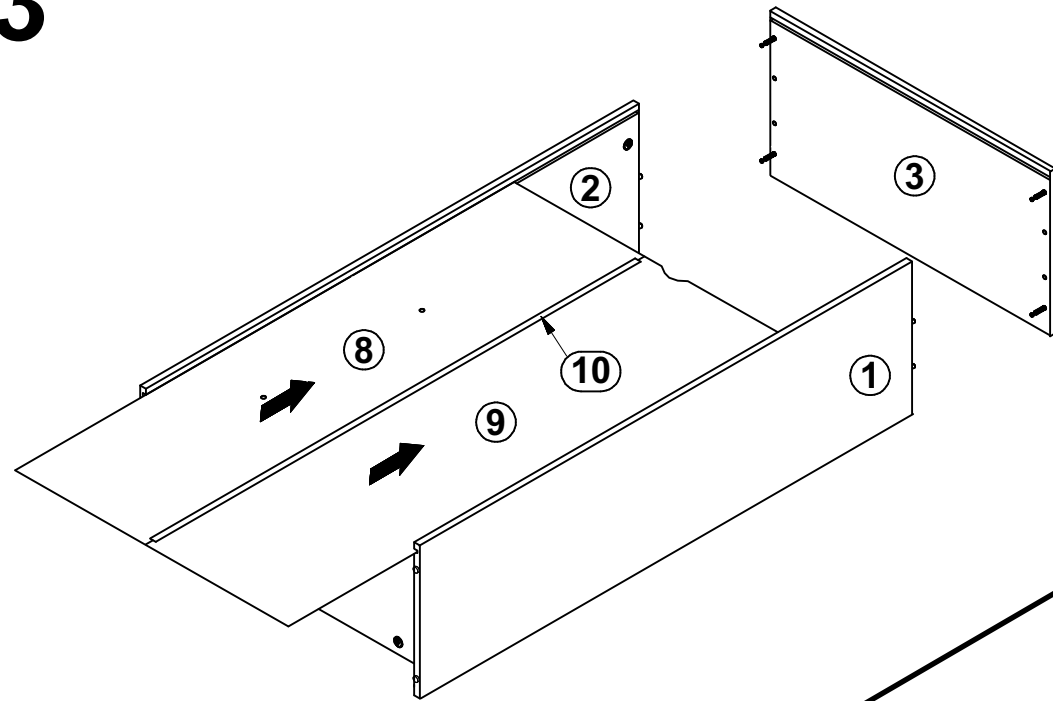


A	B	C (mm)		D
1	N46-107	985	338	3/4
2	N46-108	985	338	3/4
3	N46-203	600	338	3/4
4	N46-305	567	318	3/4
5	N46-506	600	60	3/4
6	N46-507	565	290	3/4
7	N46-509	600	60	3/4
8	N46-905	943	288	3/4
9	N46-906	943	288	3/4
10	Lh-920	920	14	3/4

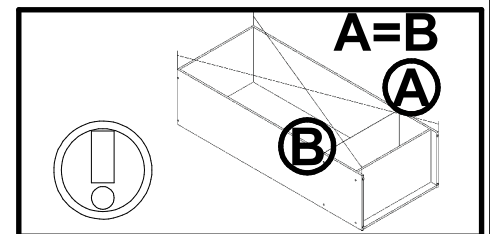
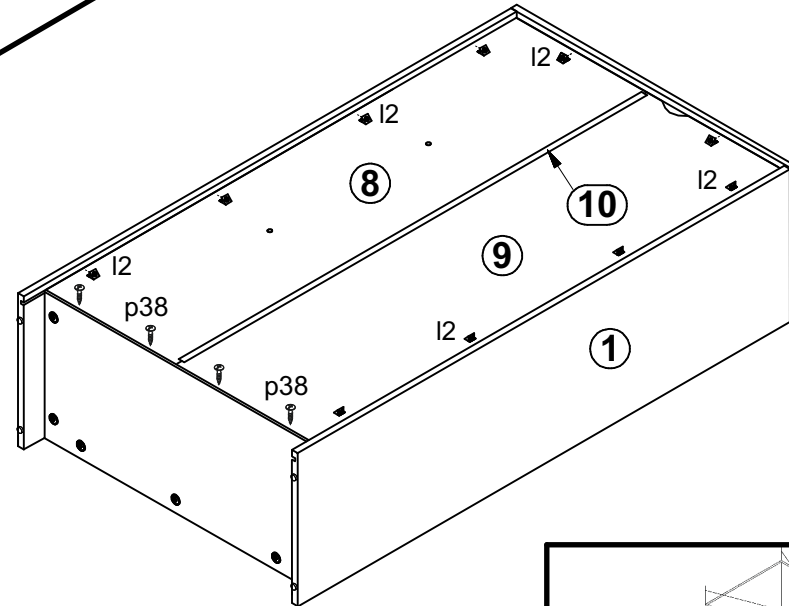




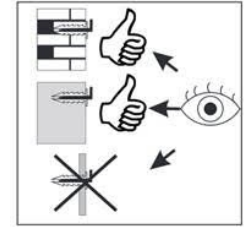
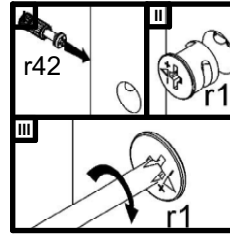
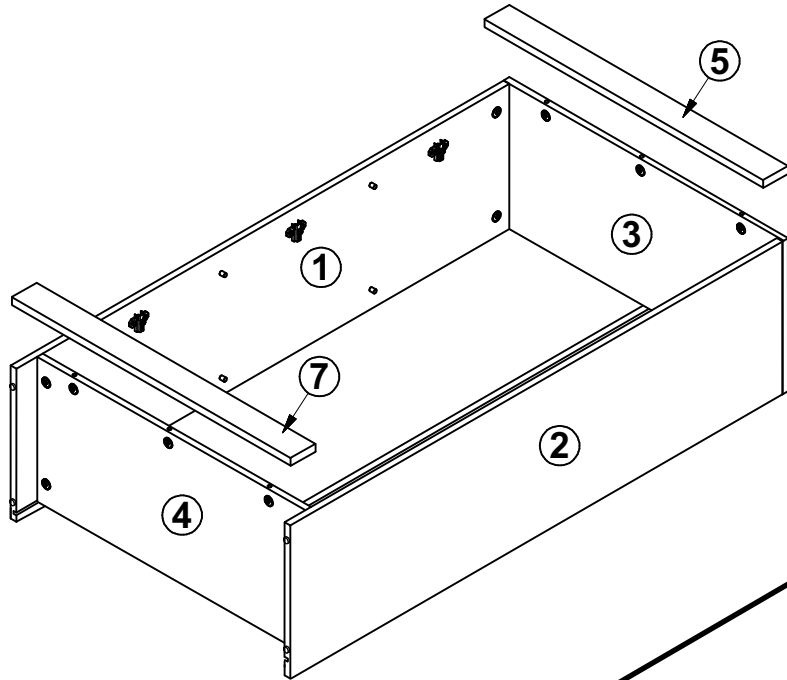
3



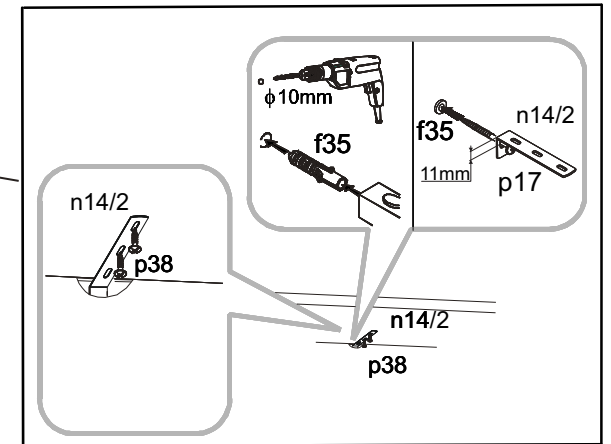
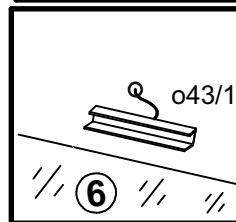
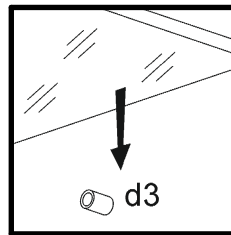
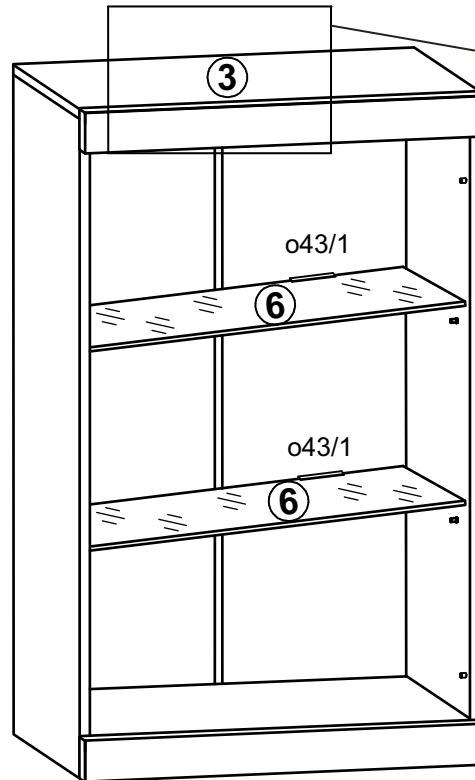
4

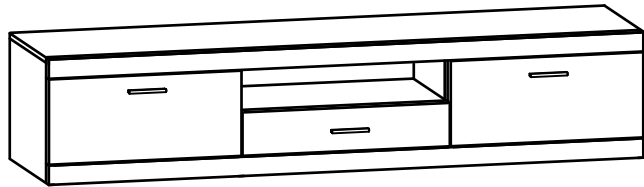


5

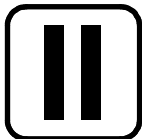
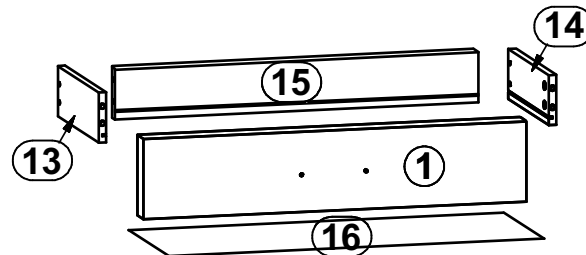
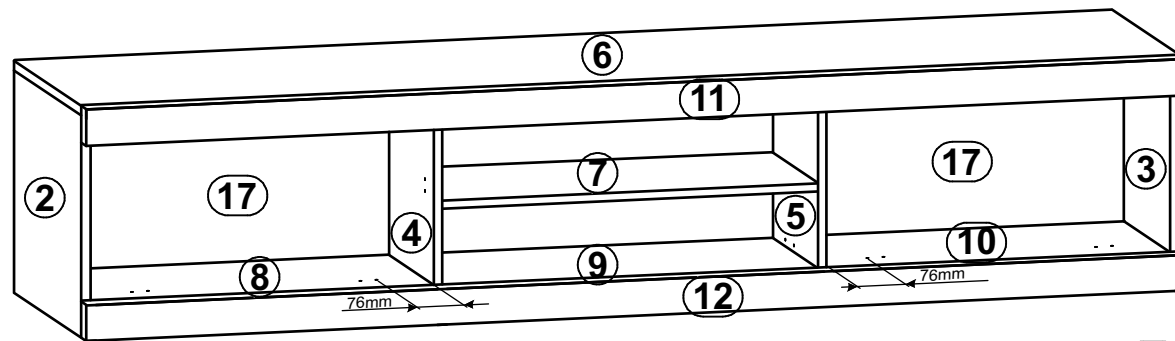


6

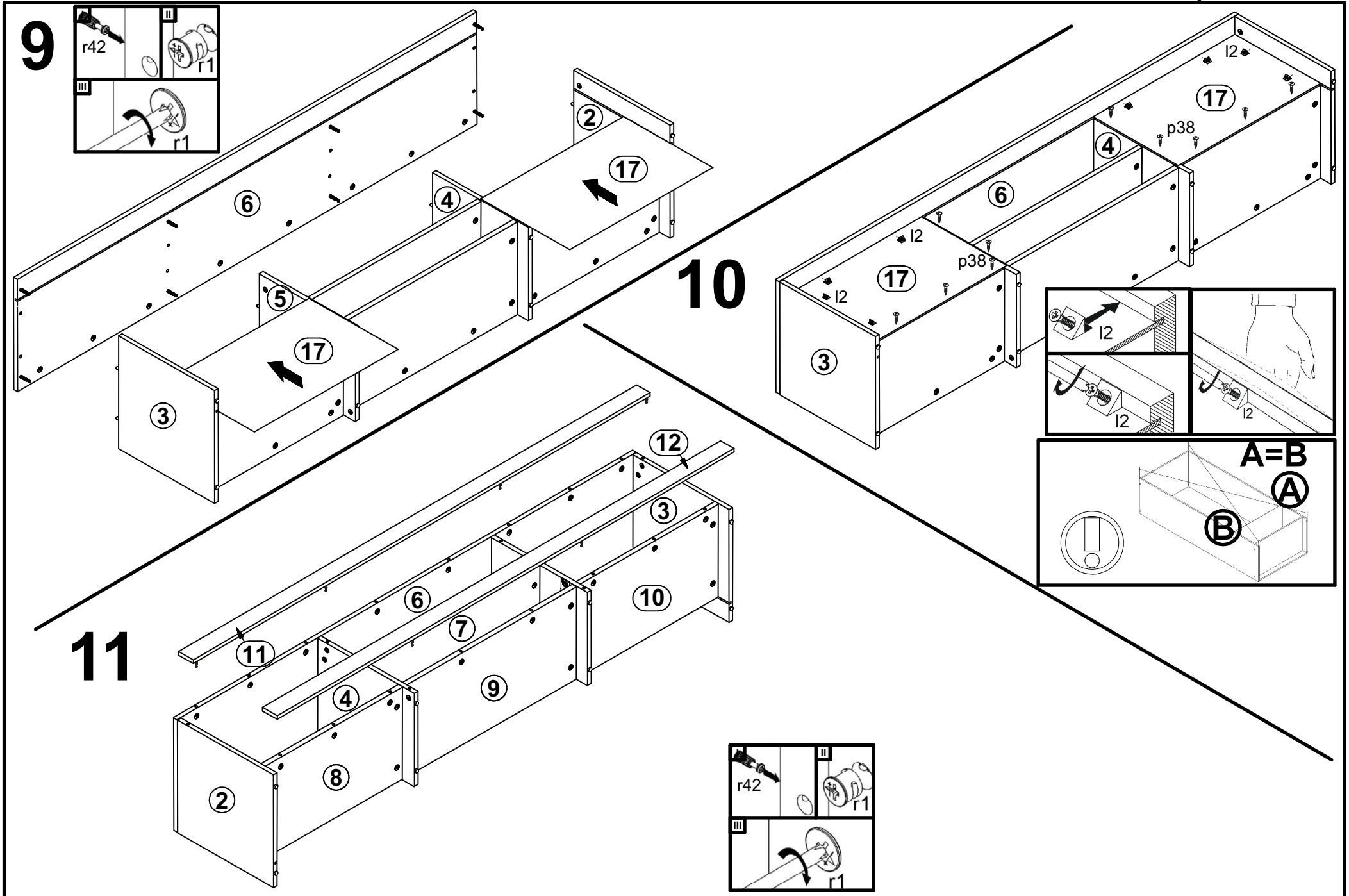




A	B	C (mm)		D
1	N46-001	645	135	1/4
2	N46-101	374	384	2/4
3	N46-102	374	384	2/4
4	N46-103	374	320	2/4
5	N46-104	374	320	2/4
6	N46-201	1850	384	1/4
7	N46-301	635	320	2/4
8	N46-302	575	320	2/4
9	N46-303	635	320	2/4
10	N46-304	575	320	2/4
11	N46-501	1850	60	1/4
12	N46-502	1850	60	1/4
13	N46-503	300	90	1/4
14	N46-504	300	90	1/4
15	N46-505	578	90	1/4
16	N46-901	588	300	1/4
17	N46-902	332	593	1/4

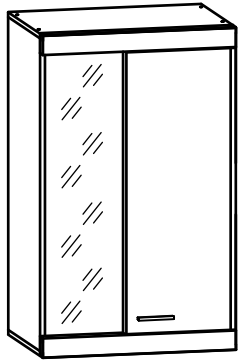




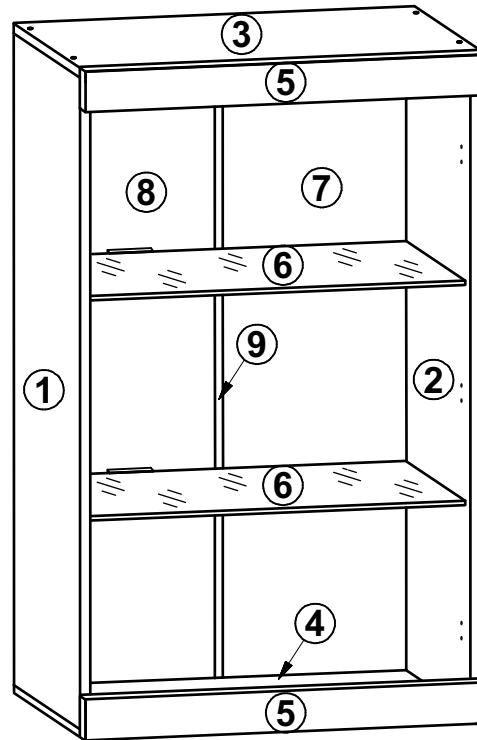




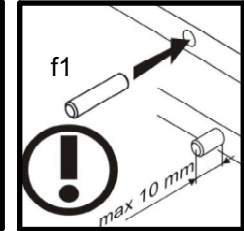
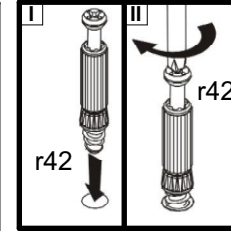
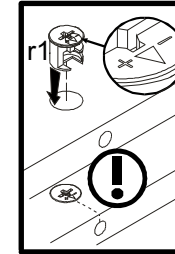
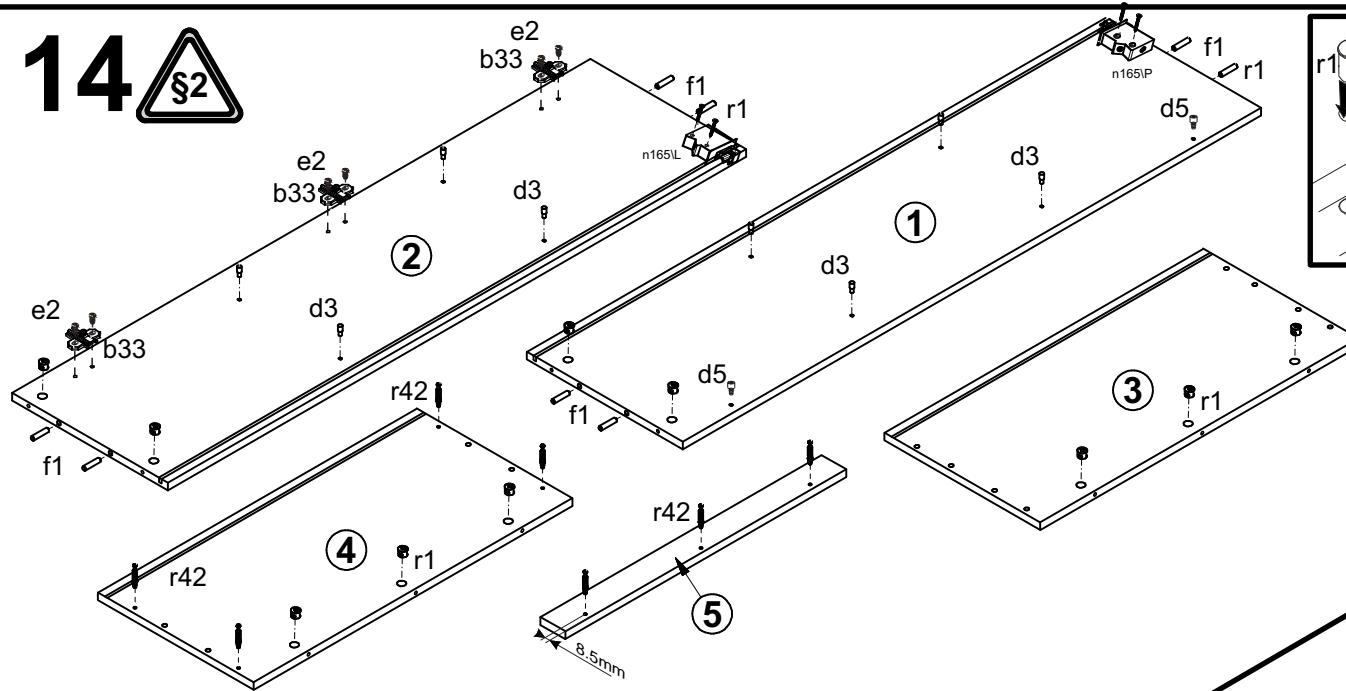




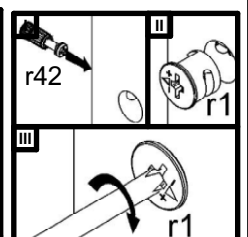
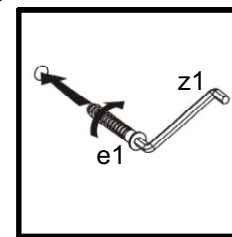
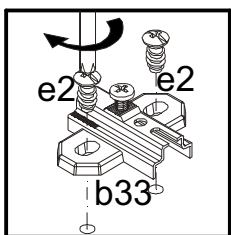
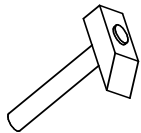
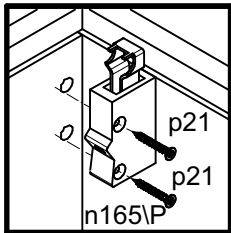
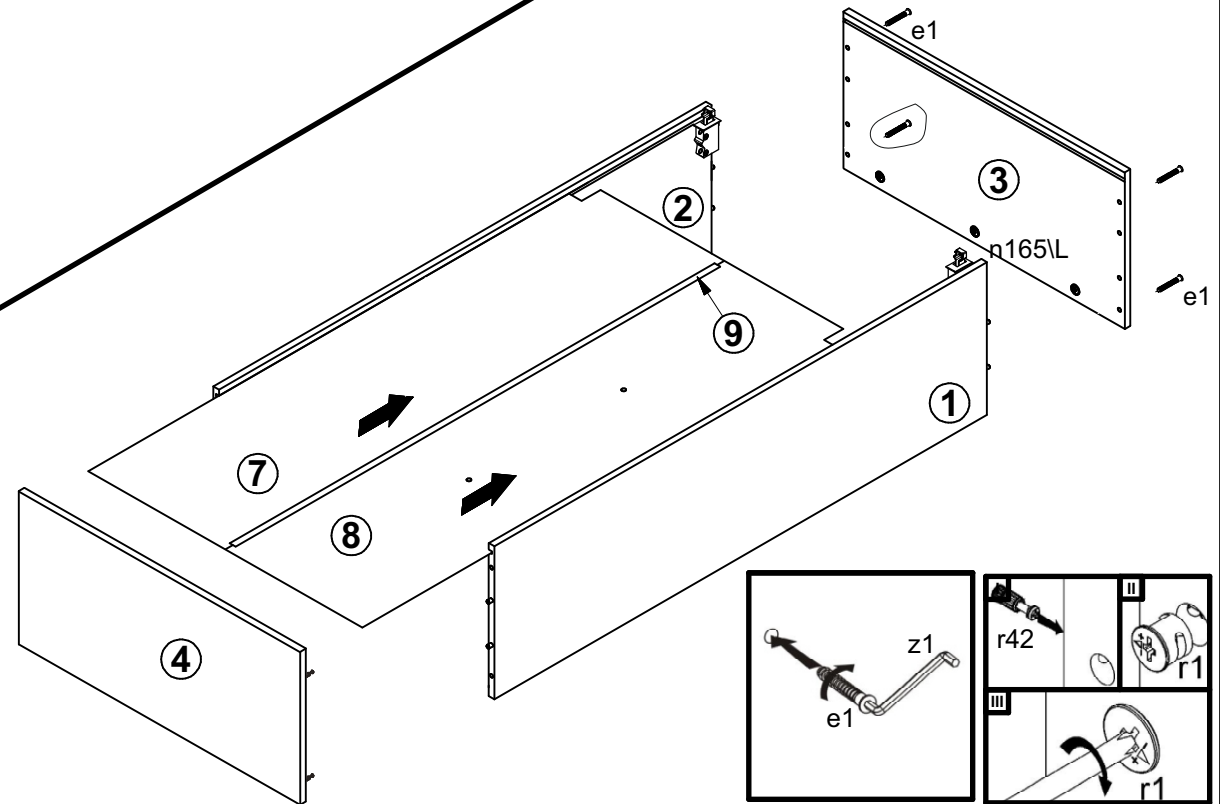
A	B	C (mm)		D
1	N46-105	968	338	3/4
2	N46-106	968	338	3/4
3	N46-202	600	338	3/4
4	N46-303	600	338	3/4
5	N46-506	600	60	3/4
6	N46-507	565	290	3/4
7	N46-903	978	288	3/4
8	N46-904	978	288	3/4
9	Lh-960	960	14	3/4



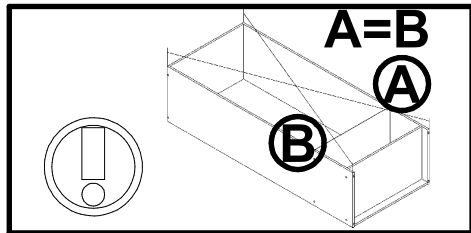
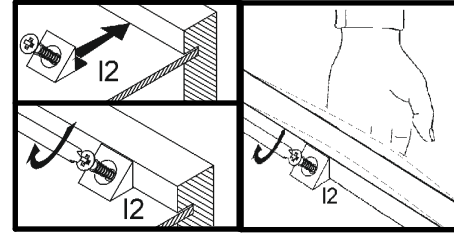
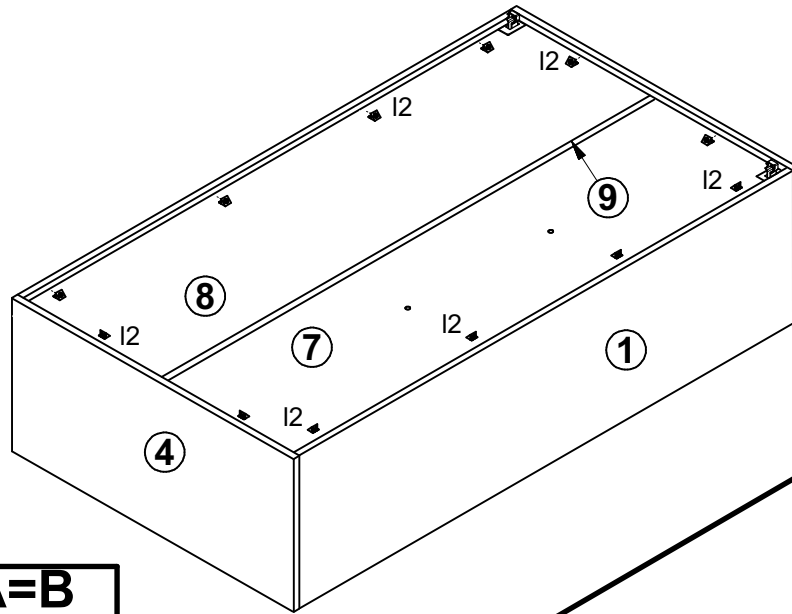
# 14



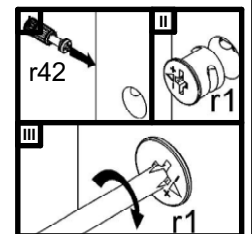
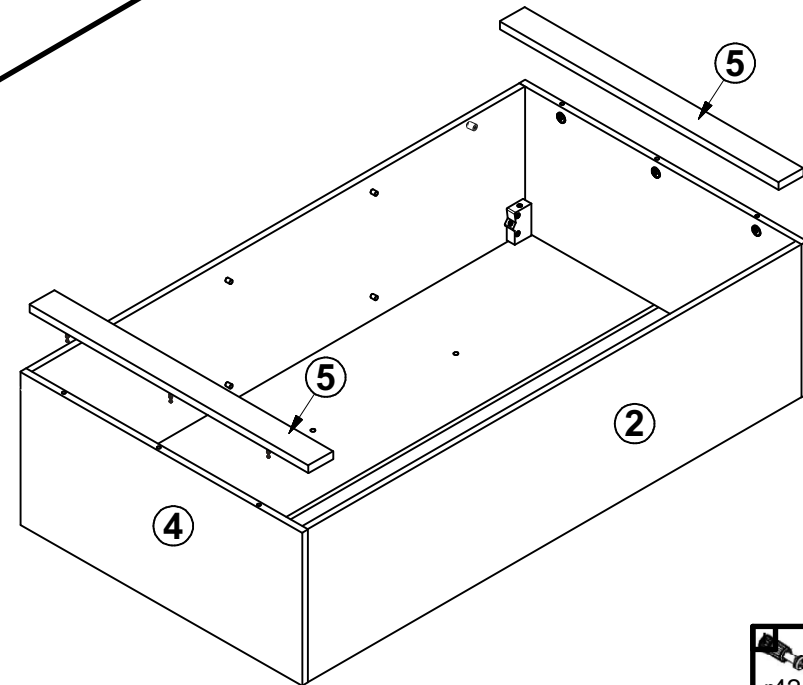
# 15



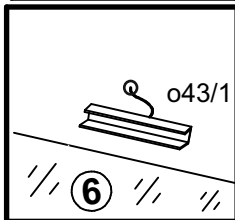
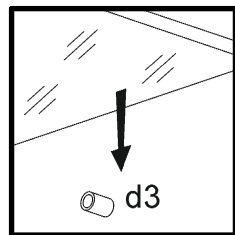
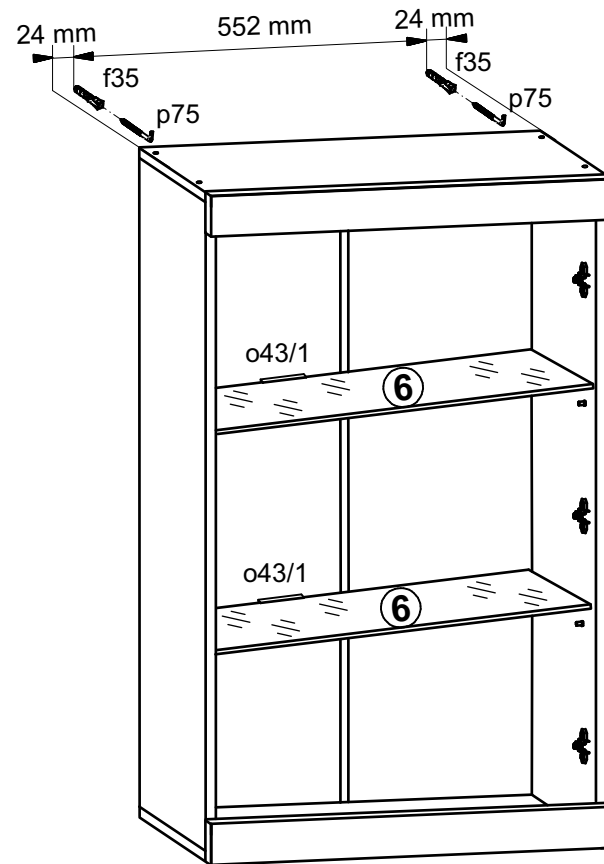
# 16

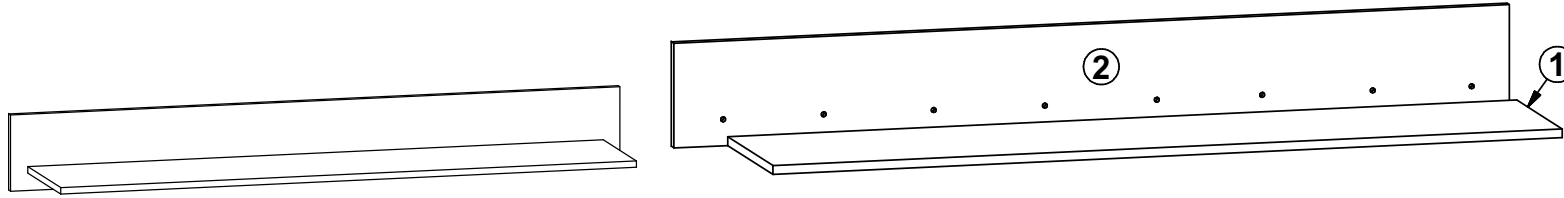


# 17



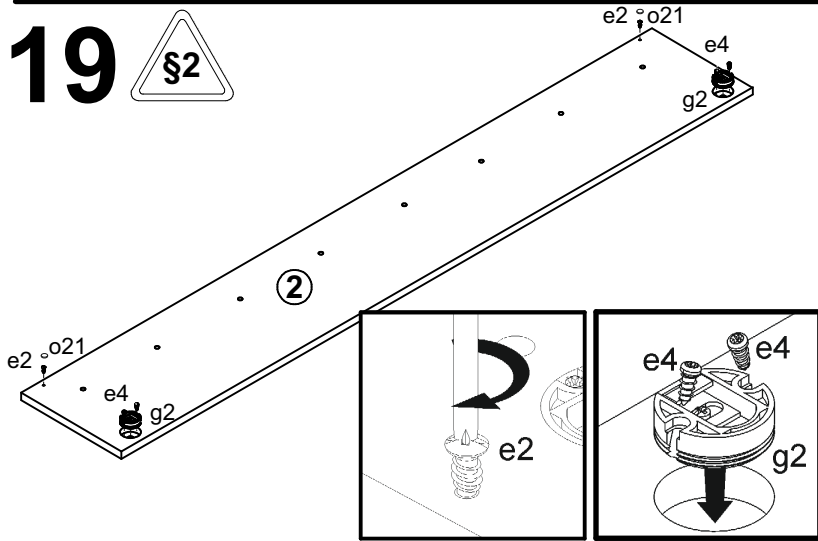
# 18



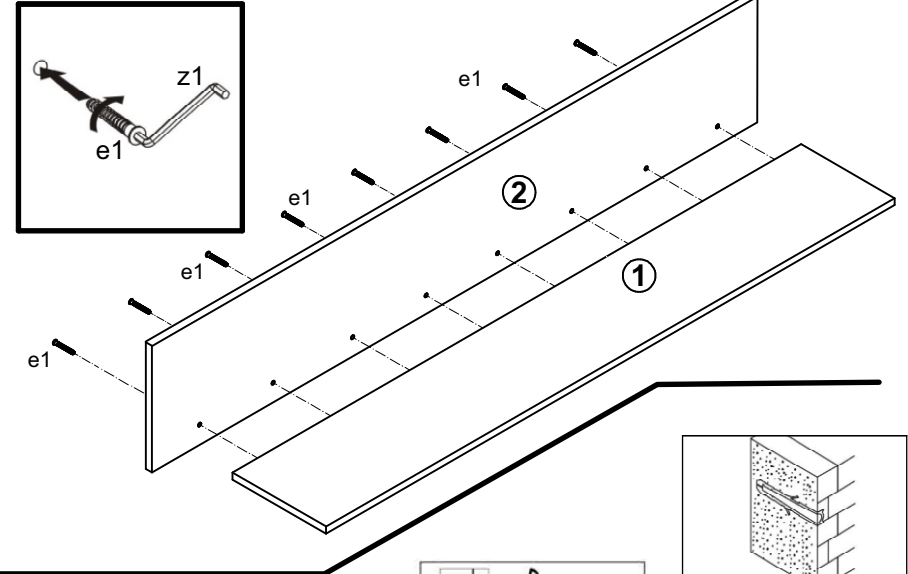


A	B	C (mm)	D
1	N46-306	1200	204
2	N46-401	1300	240

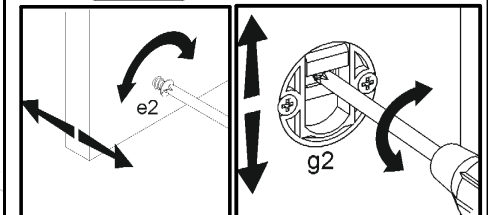
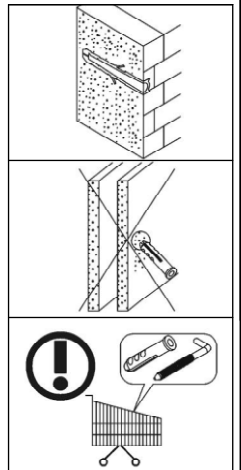
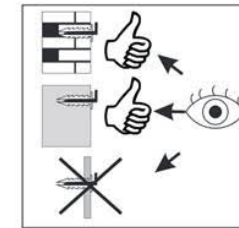
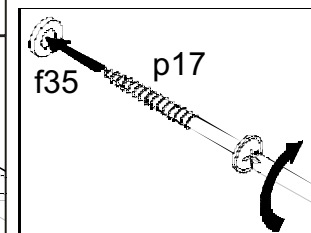
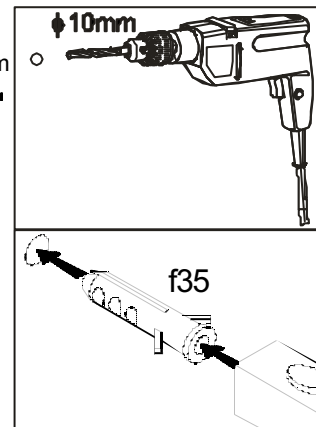
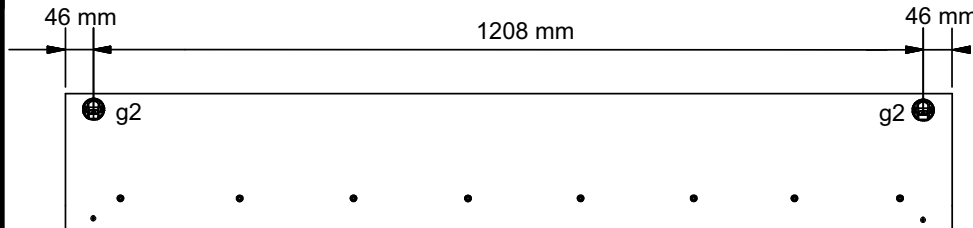
# 19

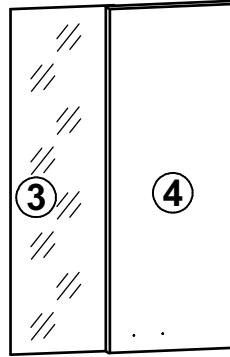
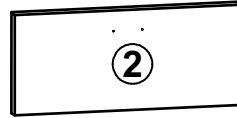
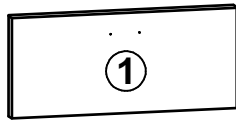
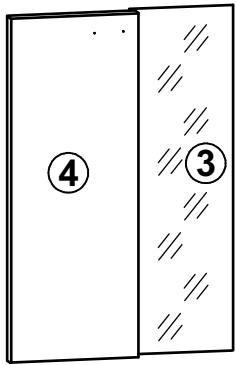


# 20



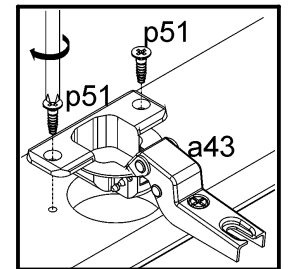
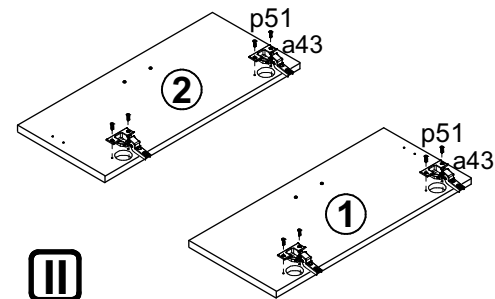
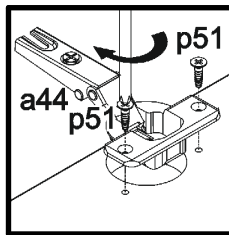
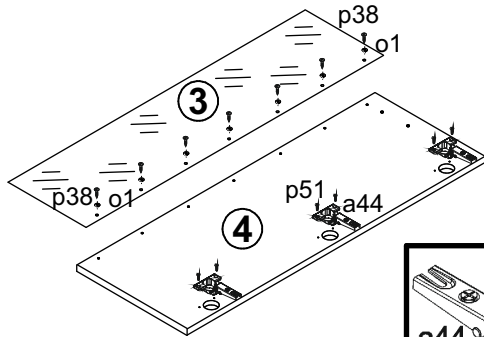
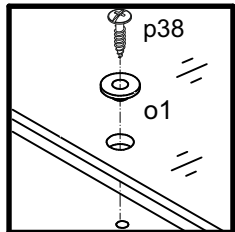
# 21





A	B	C (mm)		D
1	N46-002	599	265	1/4
2	N46-003	599	265	1/4
3	N46-508	876	270	3/4 4/4
4	N46-701	876	340	3/4 4/4

## 22



# 23

