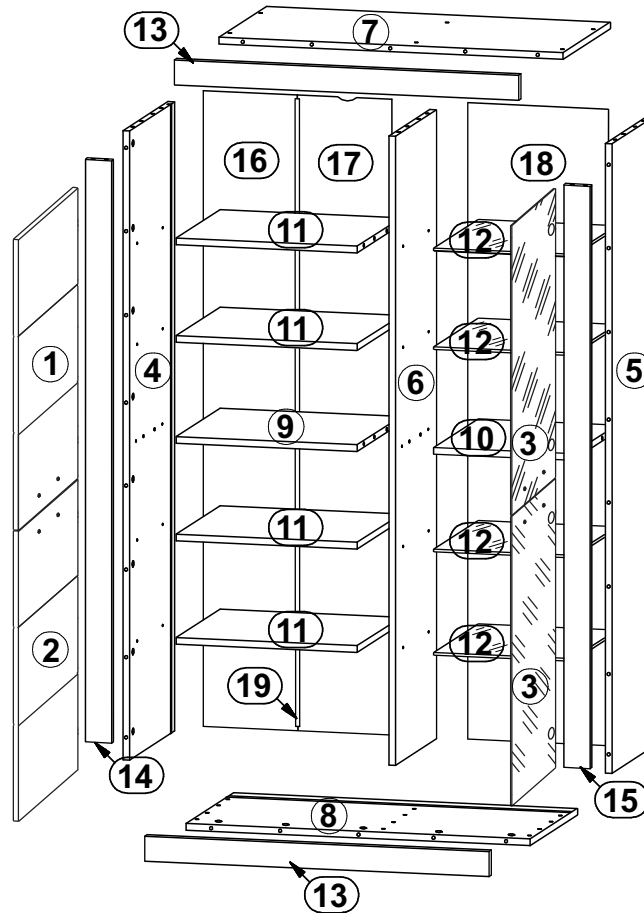
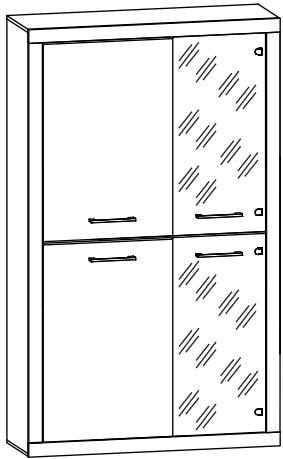
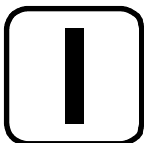
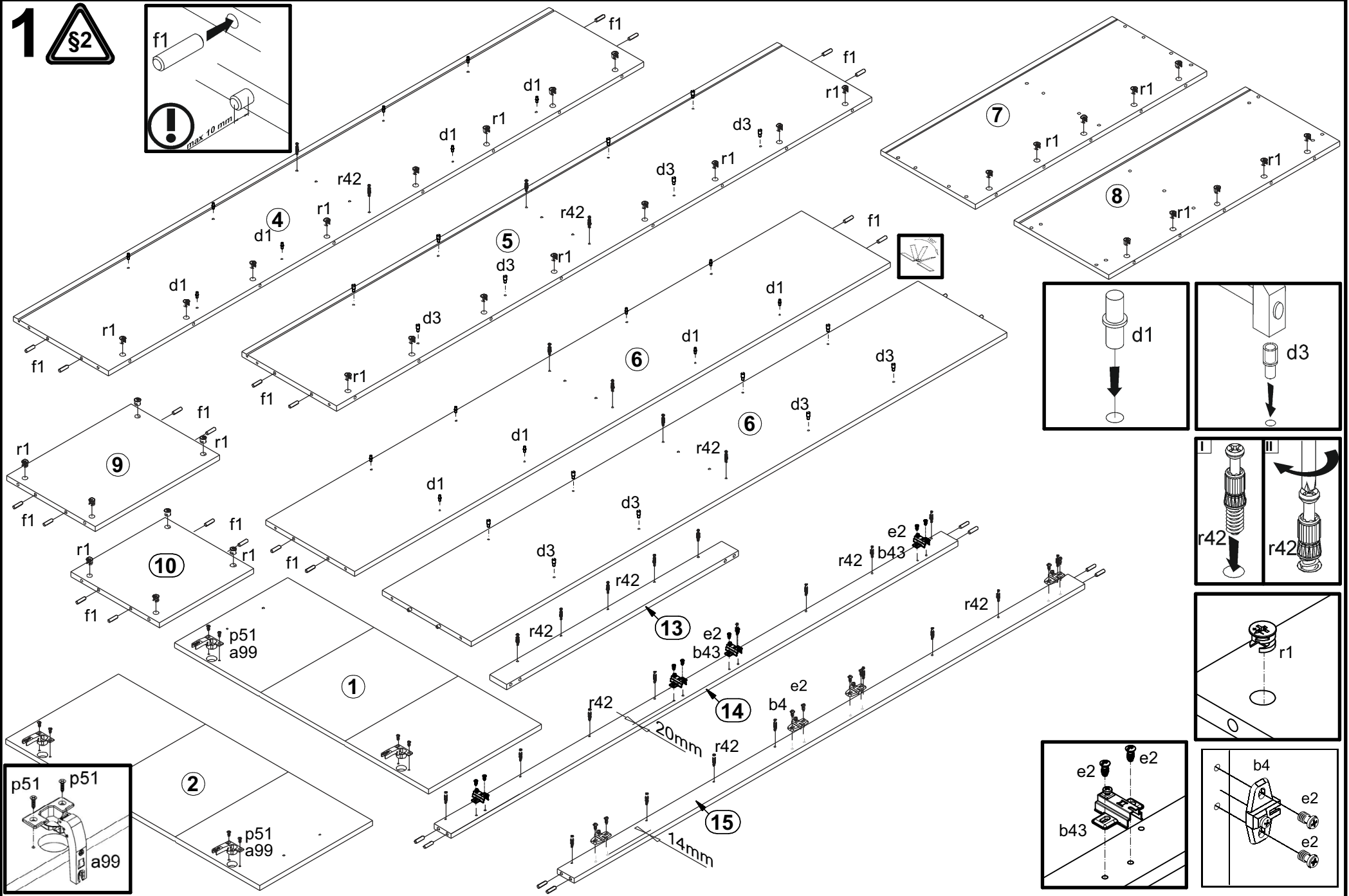


6x	6x	6x	6x									6x	1x		
a82/1	a82/2	a82/3	a99									o43/1	o43/6		
6x	6x	8x	24x	24x	36x	26x	9x	4x	8x	60x	24x	8x			
b4	b43	c280	d1	d3	e1	e2	e3	e4	e19	f1	f6	f25			
4x	5x	2x	15x	42x	4x	24x	8x	4x	3x	10x	4x	20x			
f27	f35	g2	k27	l2	n14/2	n108	o1	o21	p1	j8	p17	p38			
12x	24x	6x	12x	107x	107x	38x	2x	2x	2x	2x	2x	1x			
p51	p55	j3	p101	r1	r42	s2	u	w45/CL	w45/CR	w45/DL	w45/DR	z1			
φ3.5x15 mm	φ2.9x16 mm	M4x12 MM	φ3x8 mm	φ15x12mm #16	20/11	φ16	φ16x190 mm	350 mm	350 mm	350 mm	350 mm				



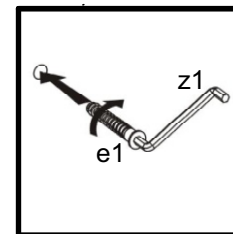
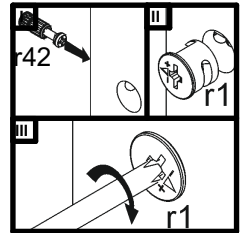
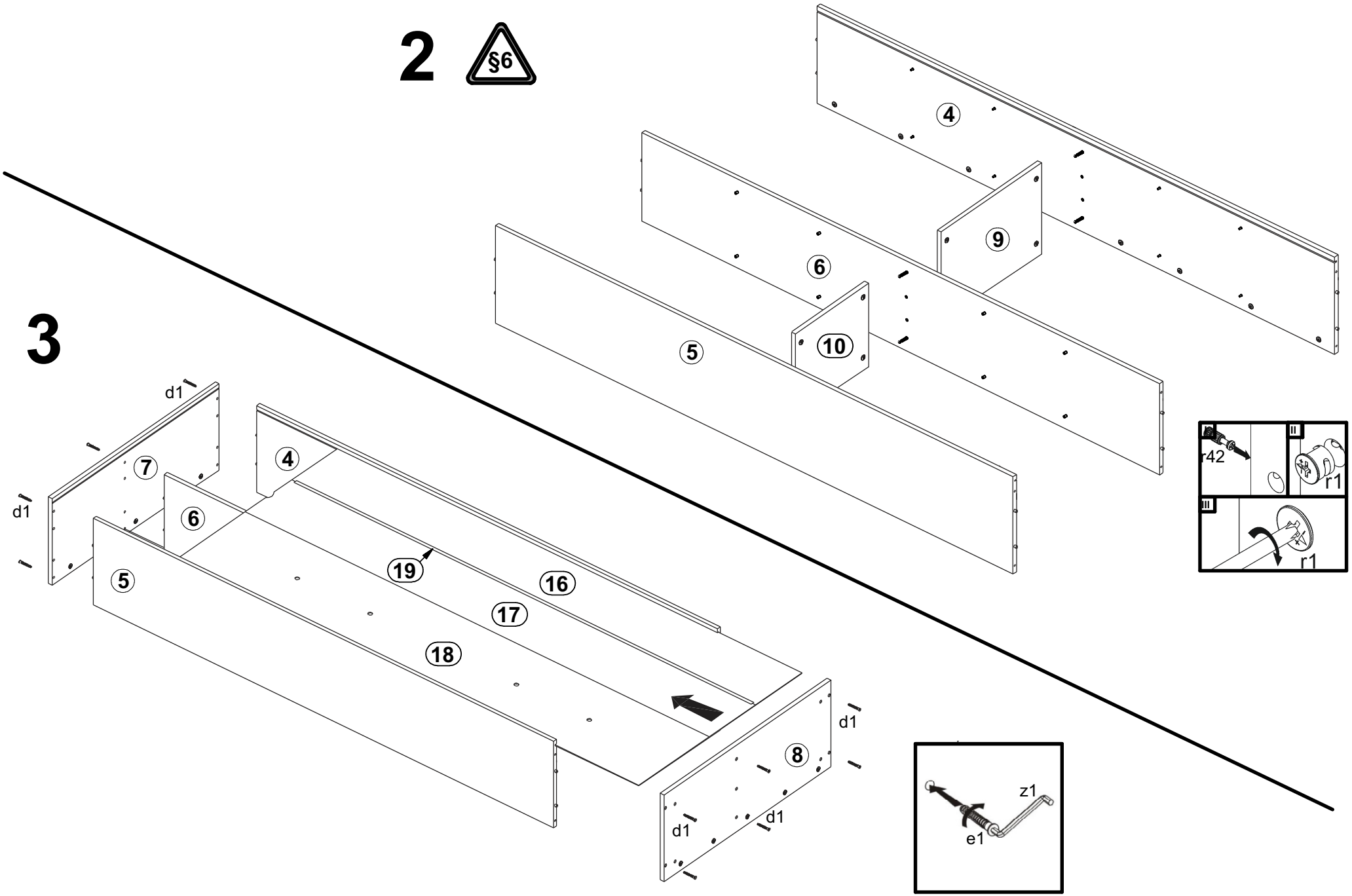
A	B	C (mm)		D
1	N42-003	897	446	6/6
2	N42-004	897	446	6/6
3	N42-005	897	345	6/6
4	N42-106	1890	354	5/6
5	N42-107	1890	354	5/6
6	N42-108	1890	334	5/6
7	N42-203	920	354	5/6
8	N42-204	920	354	5/6
9	N42-302	486	334	6/6
10	N42-303	385	334	6/6
11	N42-304	485	324	6/6
12	N42-504	383	314	6/6
13	N42-705	920	60	5/6
14	N42-707	1803	60	5/6
15	N42-708	1803	60	5/6
16	N42-903	1900	249	5/6
17	N42-904	1900	249	5/6
18	N42-905	1900	398	5/6
19	Lh-1885	1885	14	5/6



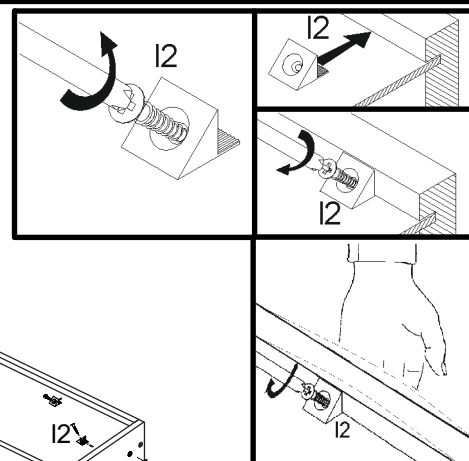
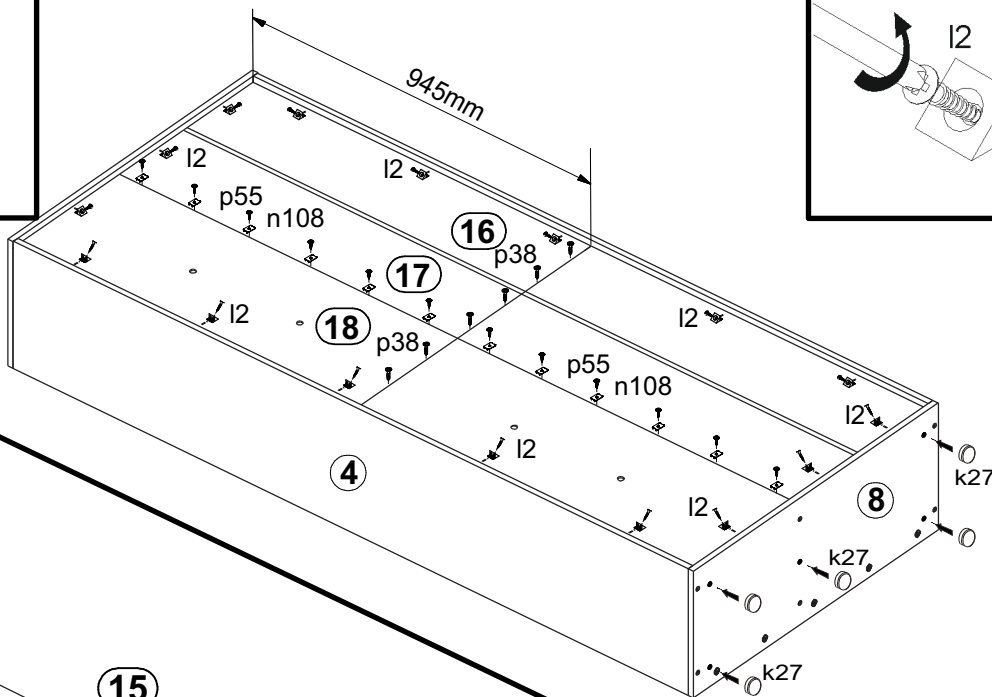
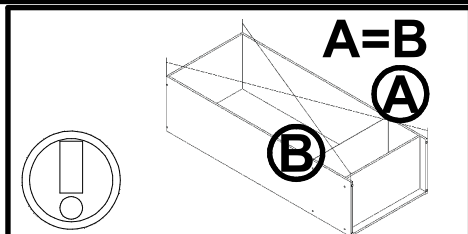


2 

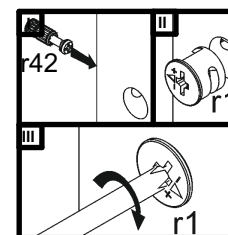
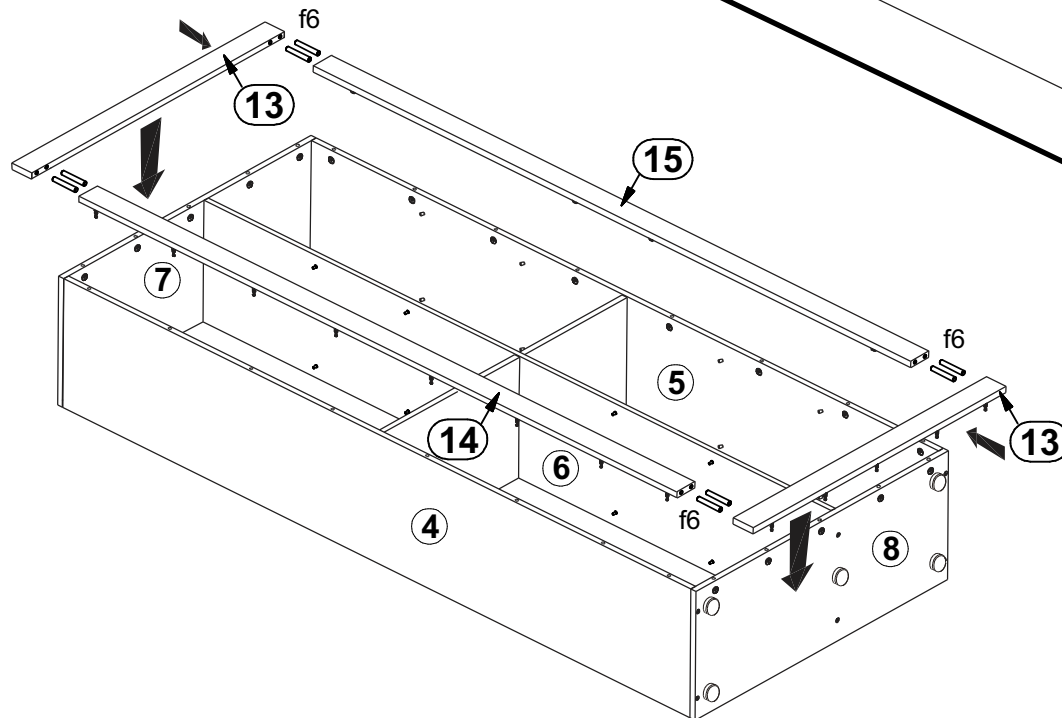
3



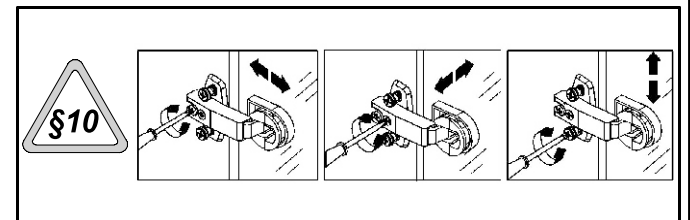
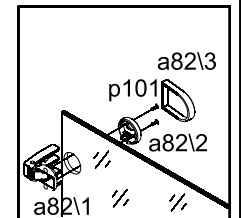
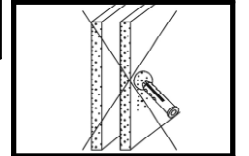
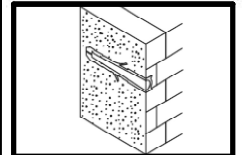
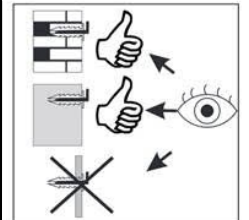
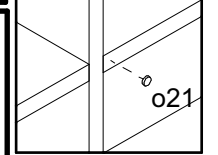
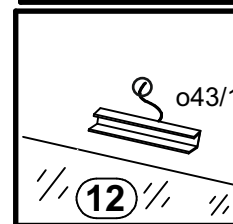
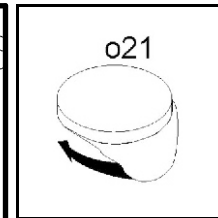
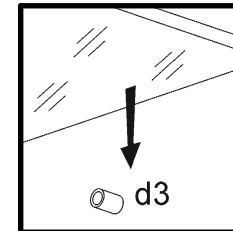
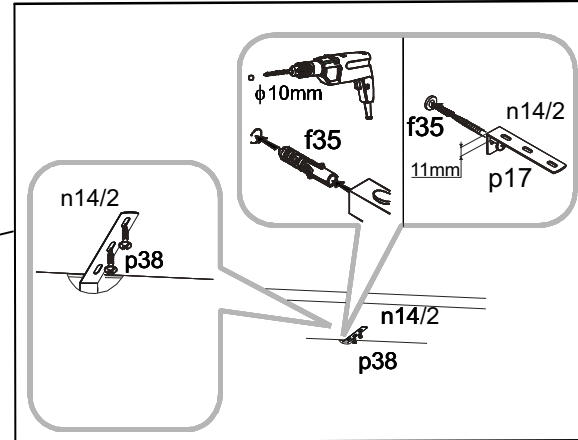
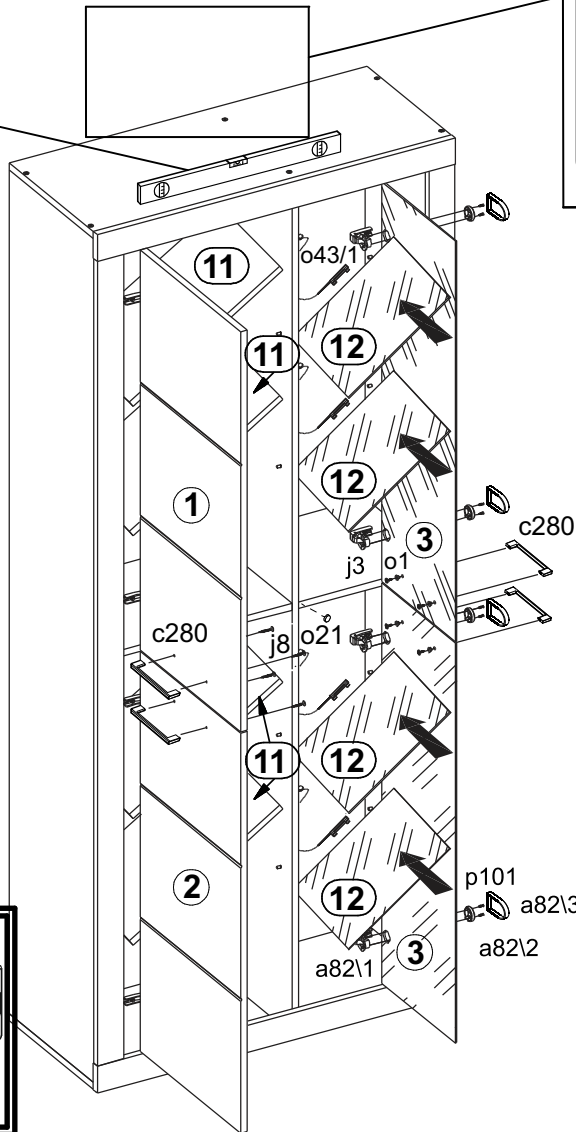
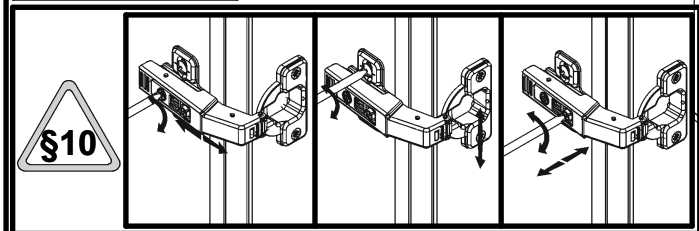
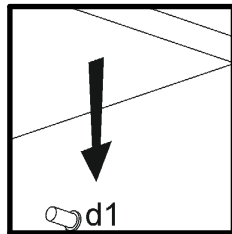
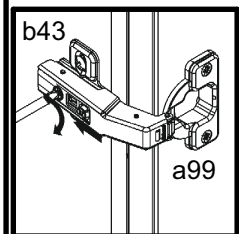
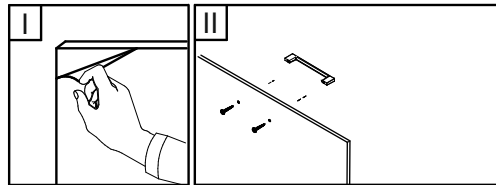
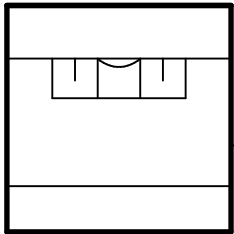
4

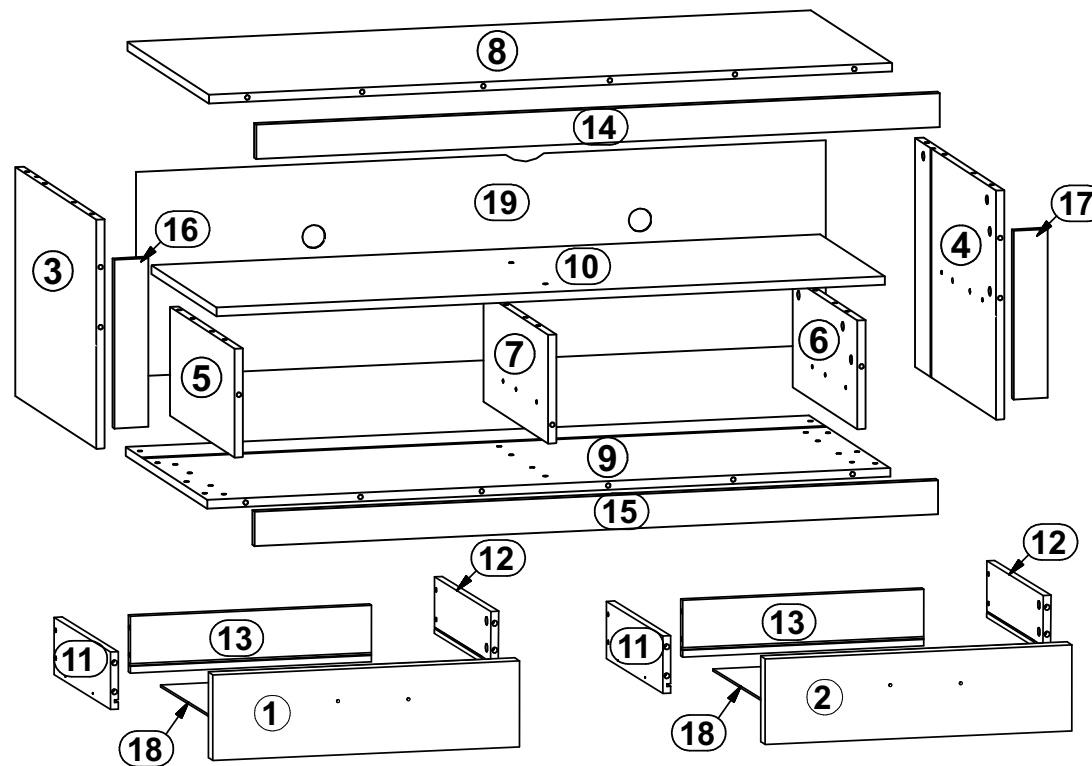
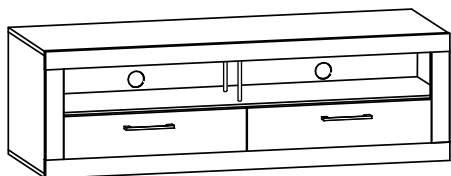


5

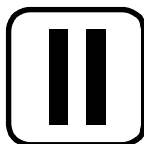


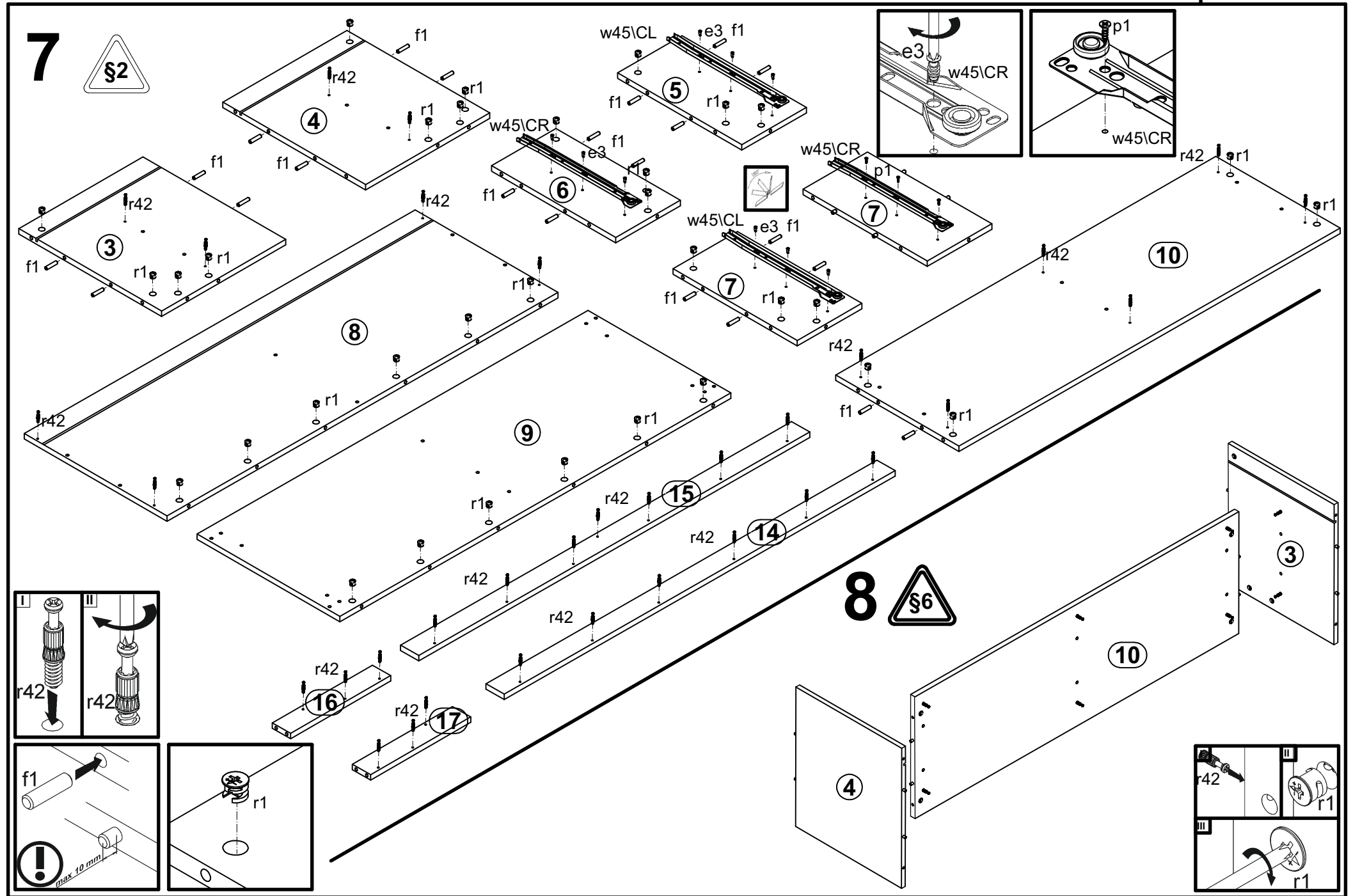
6



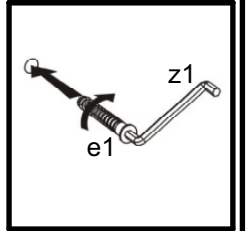
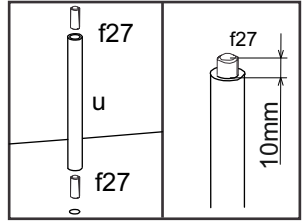
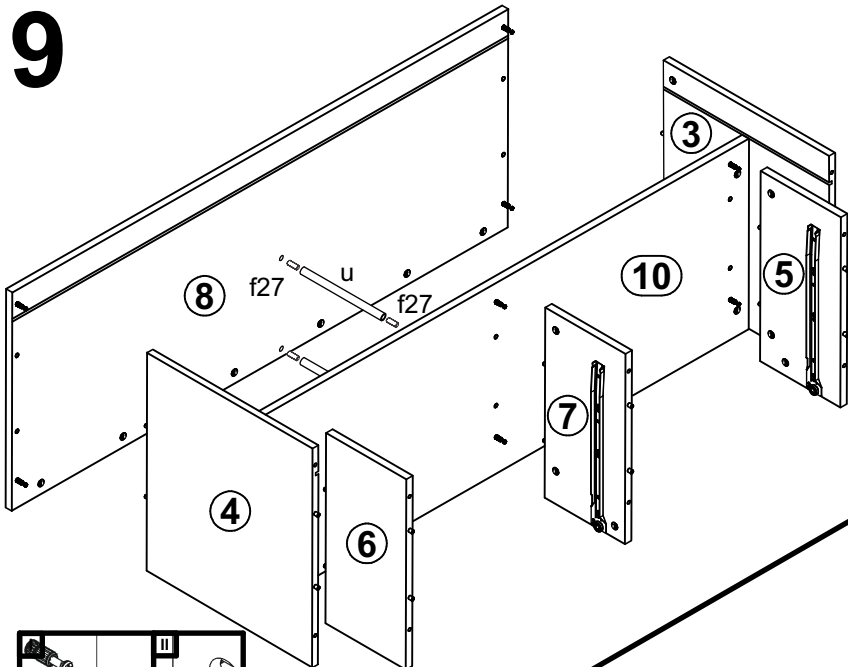


A	B	C (mm)		D
1	N42-001	536	147	1/6
2	N42-002	536	147	1/6
3	N42-101	383	444	1/6
4	N42-102	383	444	1/6
5	N42-103	177	380	1/6
6	N42-104	177	380	1/6
7	N42-105	177	380	1/6
8	N42-201	1200	444	2/6
9	N42-202	1200	444	2/6
10	N42-301	1167	380	1/6
11	N42-501	350	90	1/6
12	N42-502	350	90	1/6
13	N42-503	475	90	1/6
14	N42-701	1200	60	2/6
15	N42-702	1200	60	2/6
16	N42-703	296	60	1/6
17	N42-704	296	60	1/6
18	N42-901	485	350	2/6
19	N42-902	1177	393	2/6

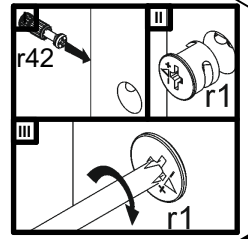
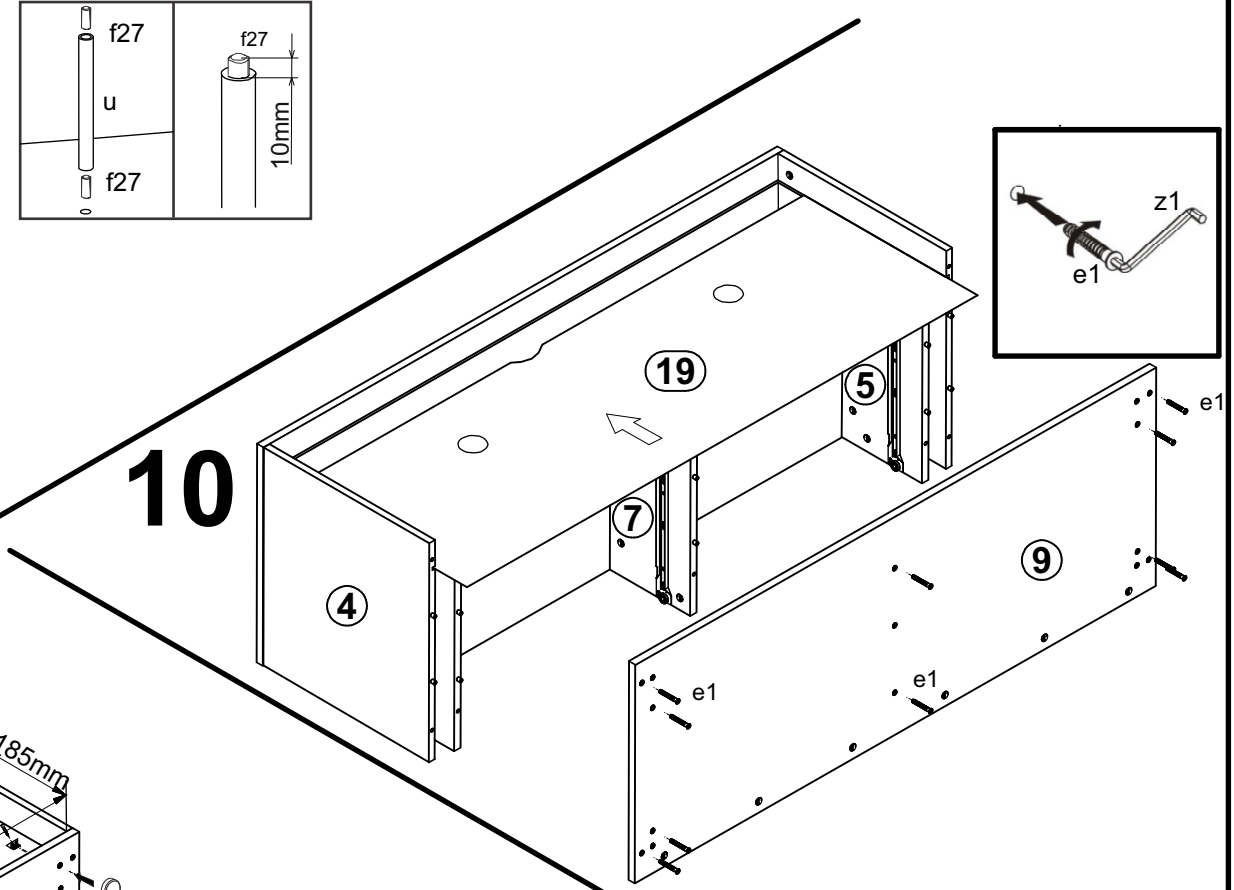




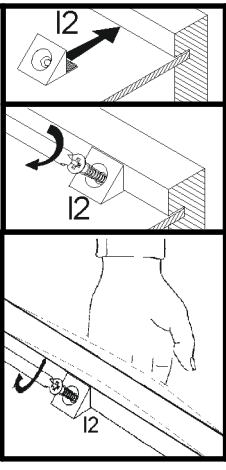
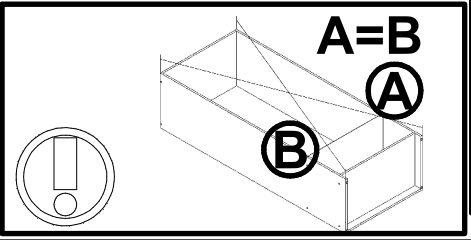
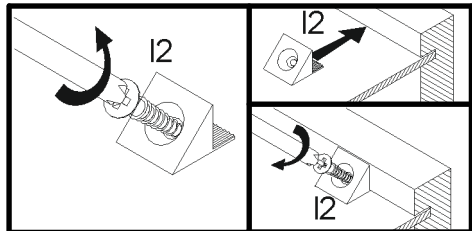
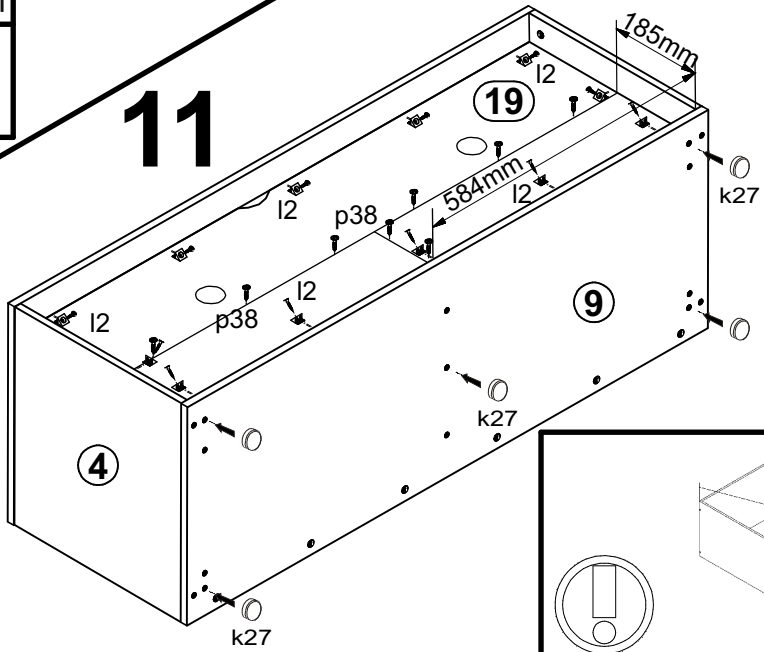
9

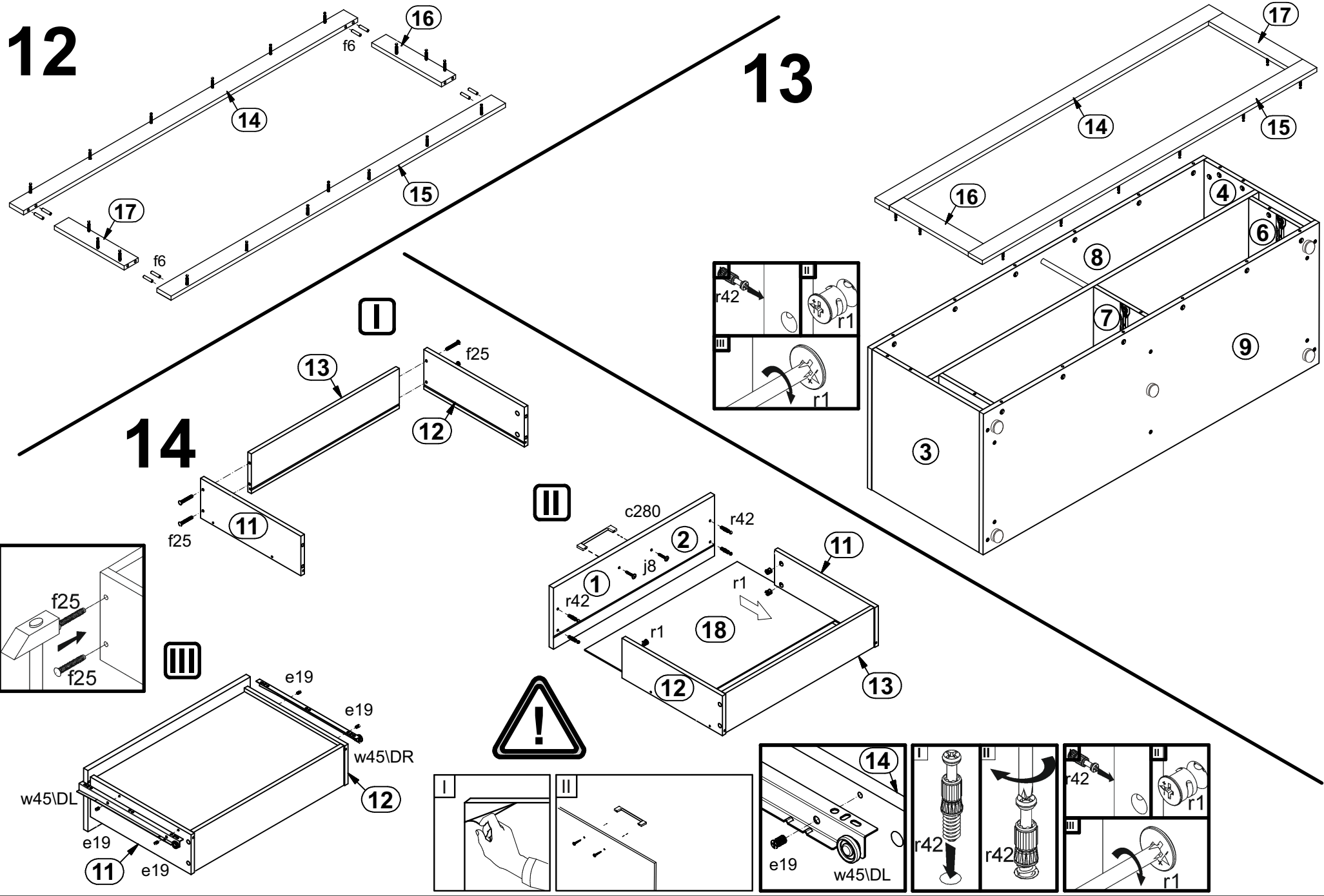


10

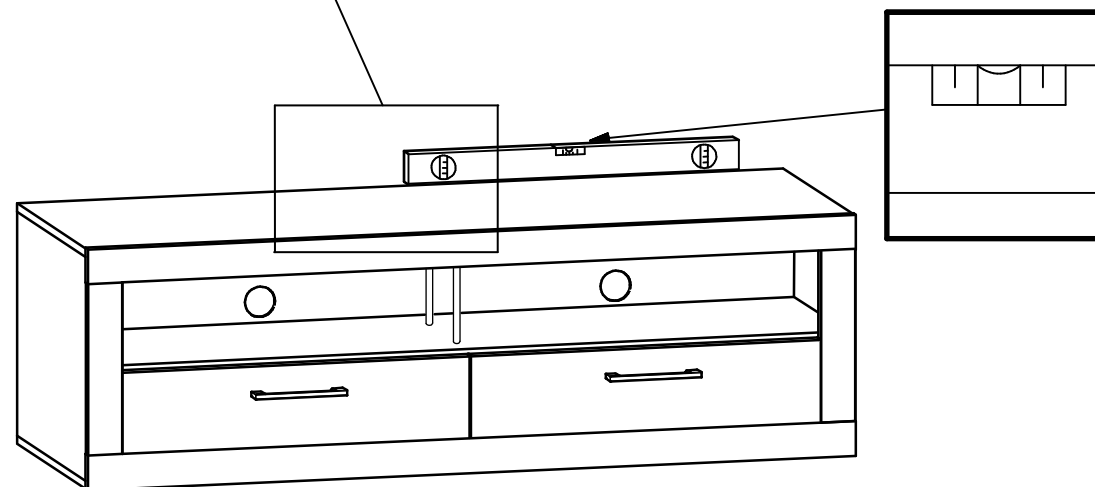
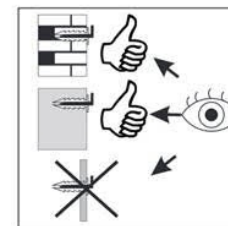
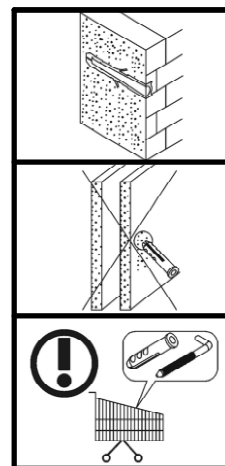
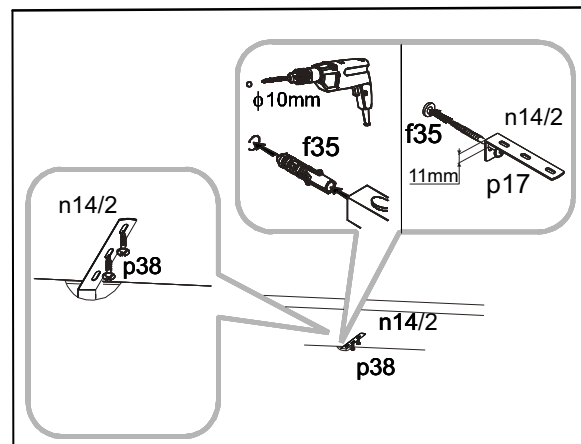


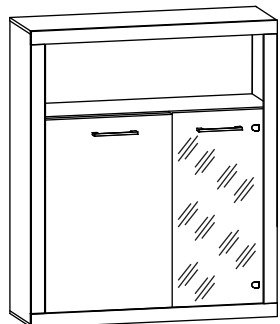
11



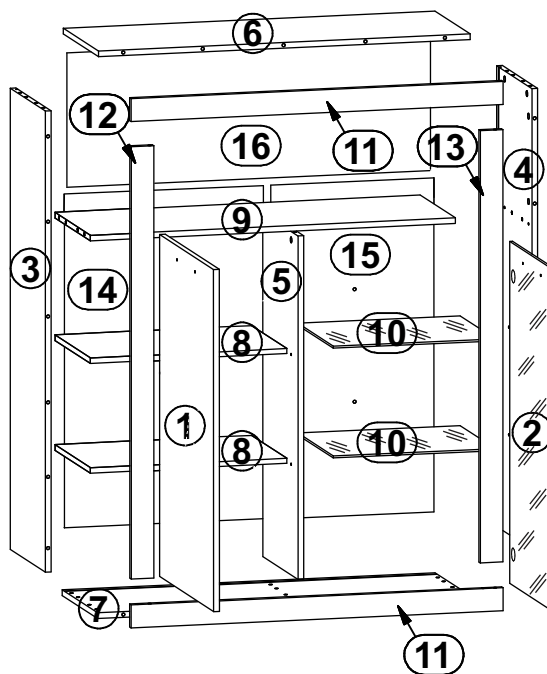


15

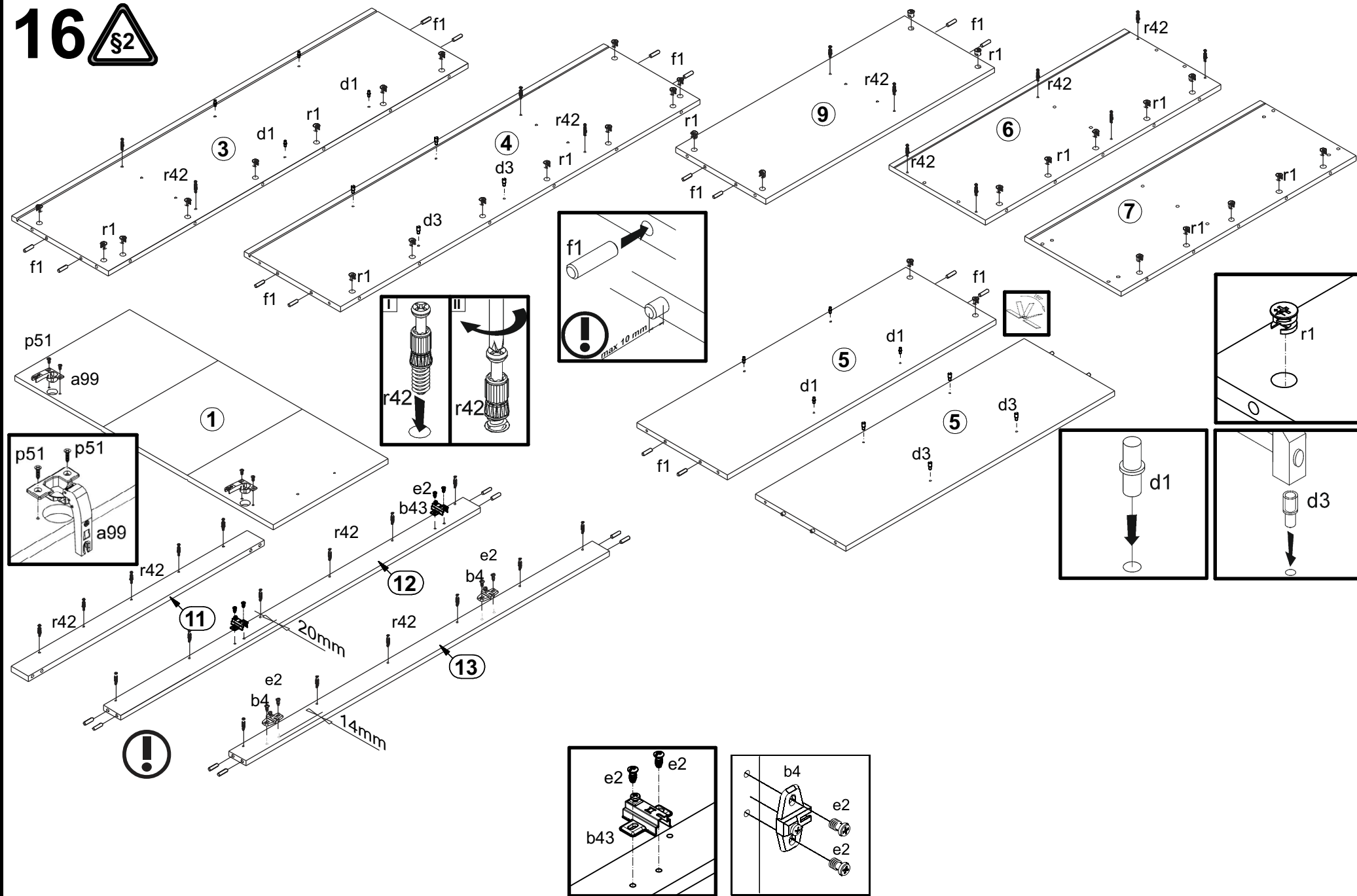




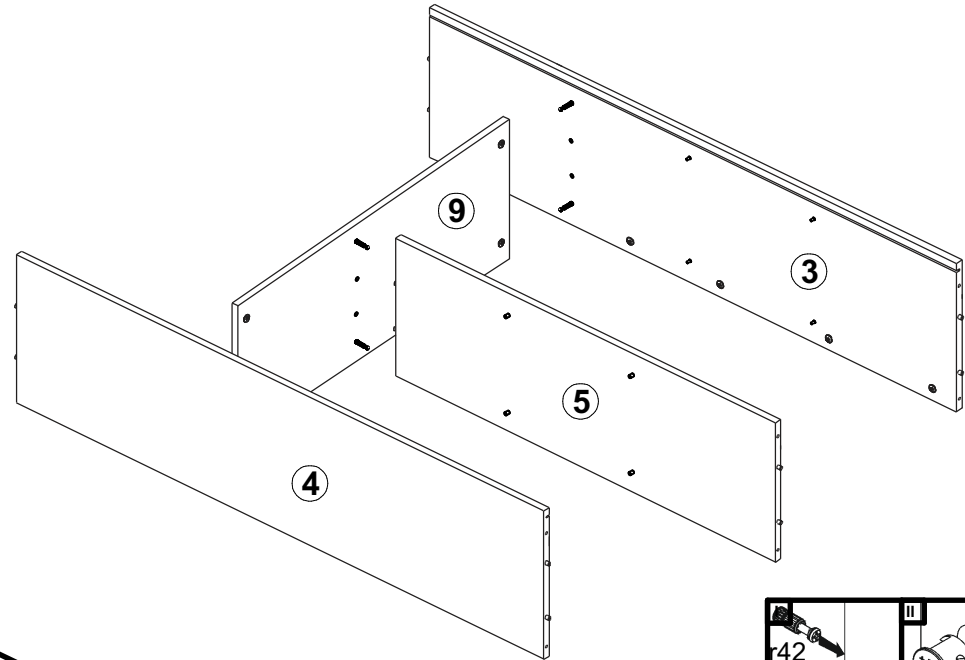
A	B	C (mm)		D
1	N42-004	897	446	4/6
2	N42-005	897	345	4/6
3	N42-109	1290	354	3/6
4	N42-110	1290	354	3/6
5	N42-111	927	334	3/6
6	N42-205	920	354	4/6
7	N42-204	920	354	4/6
8	N42-304	485	324	3/6
9	N42-305	887	334	3/6
10	N42-504	383	314	4/6
11	N42-705	920	60	4/6
12	N42-711	1203	60	3/6
13	N42-712	1203	60	3/6
14	N42-906	940	499	4/6
15	N42-907	940	398	4/6
16	N42-908	360	897	4/6



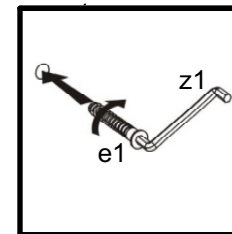
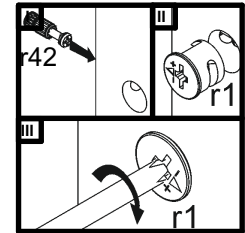
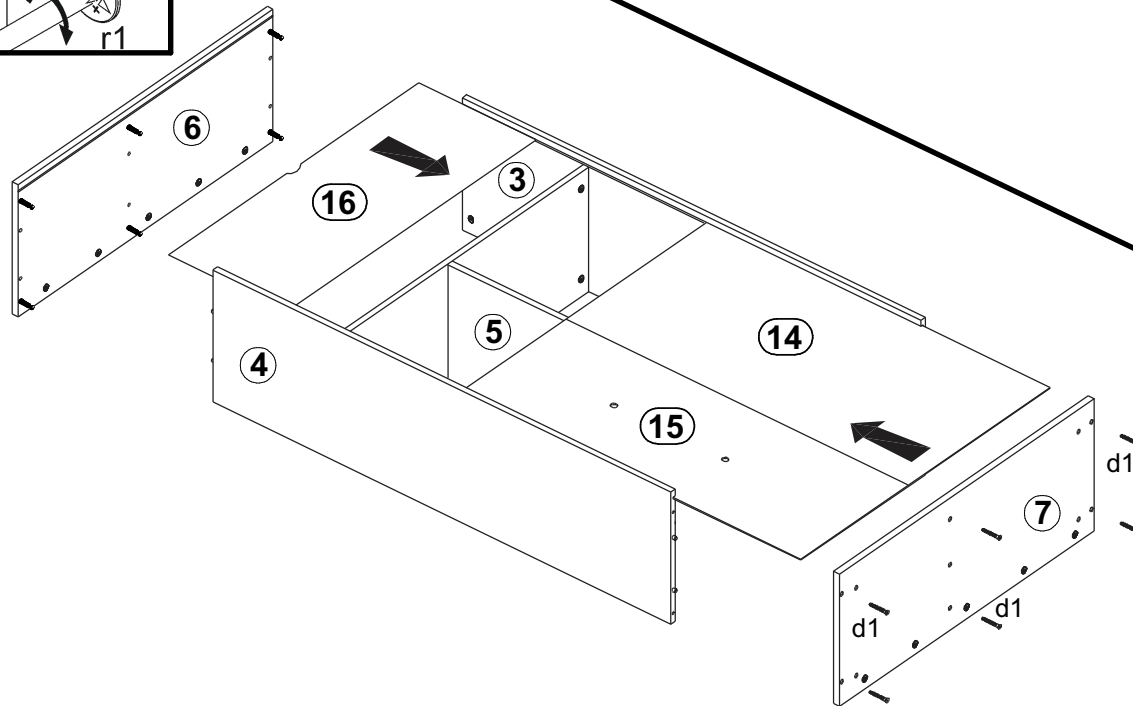
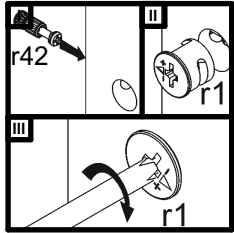
16



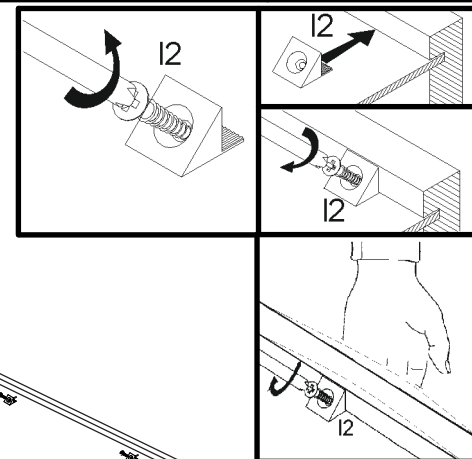
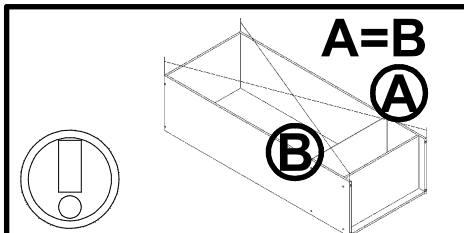
17 



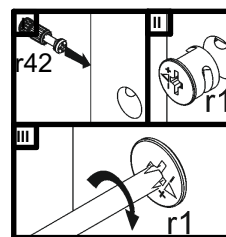
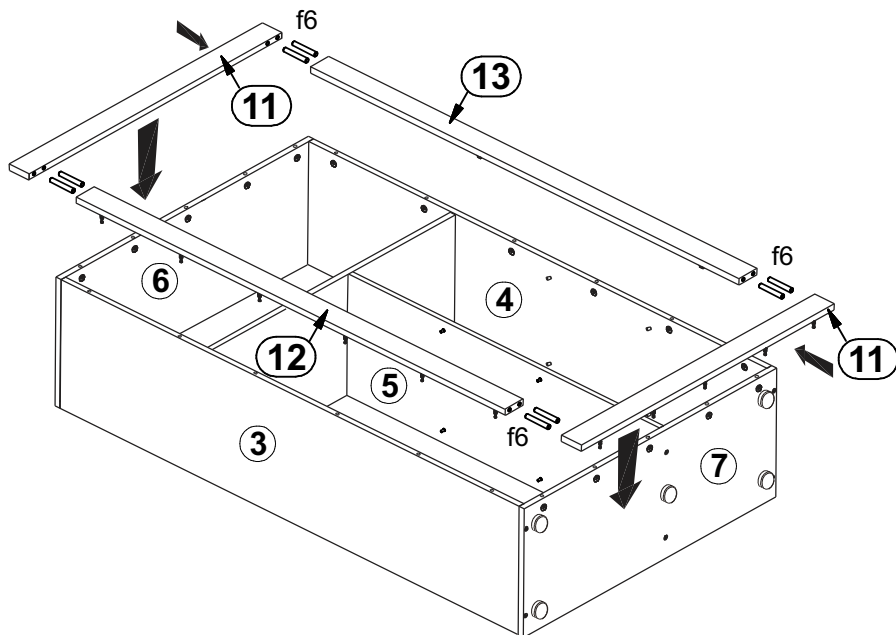
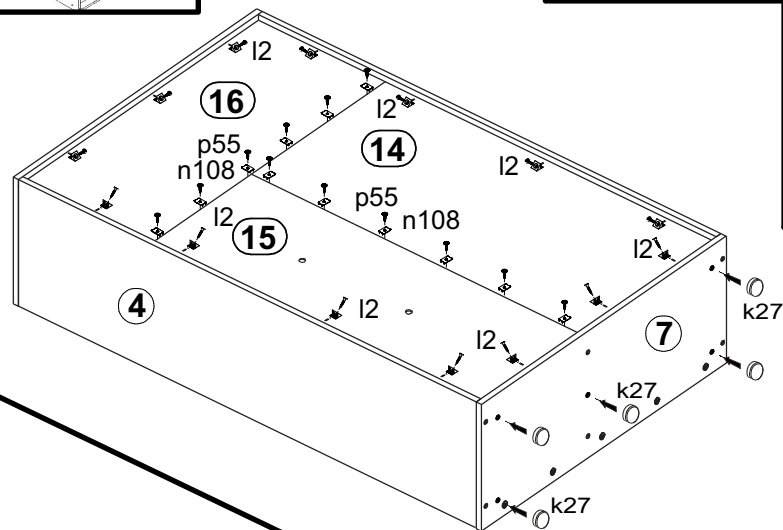
18



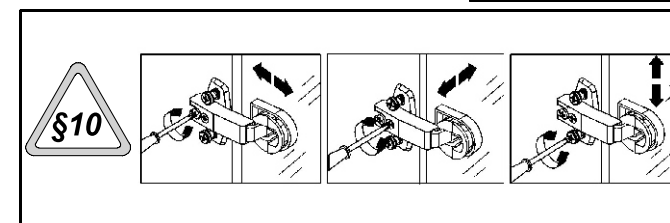
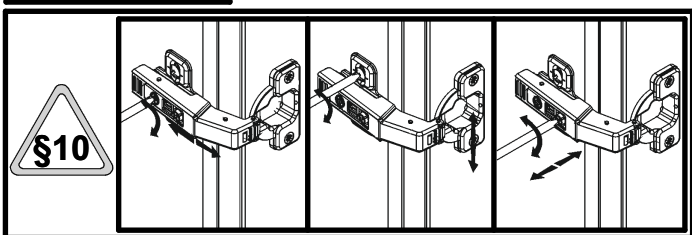
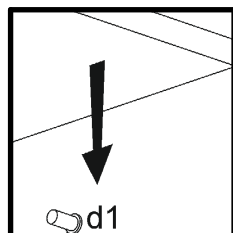
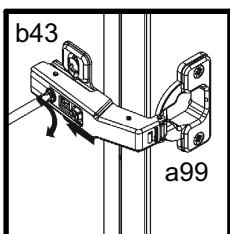
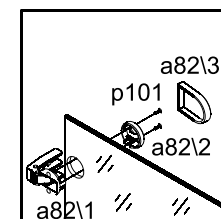
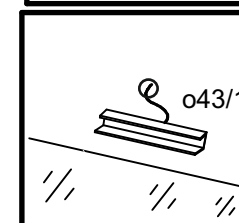
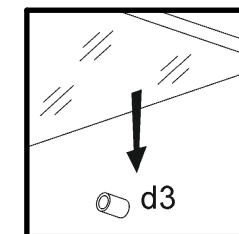
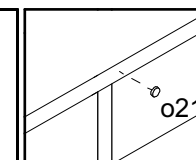
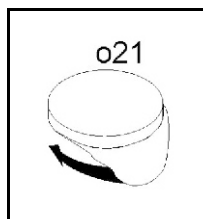
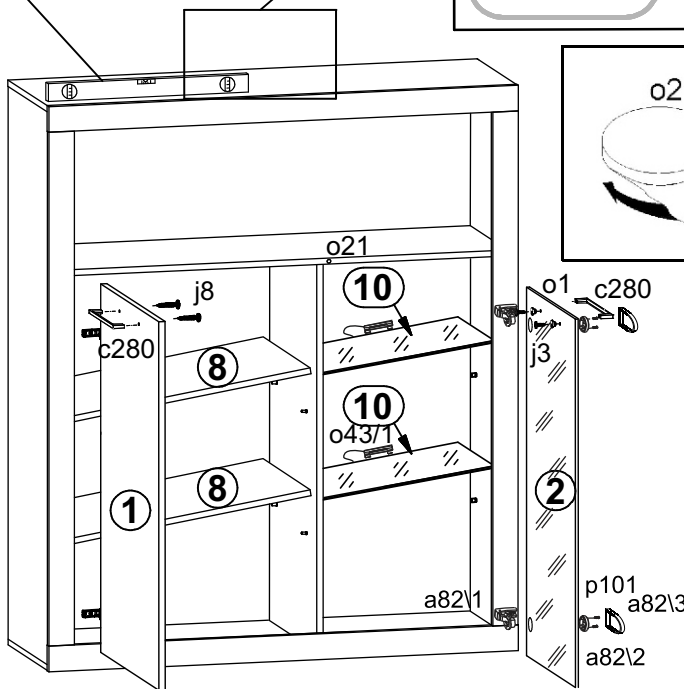
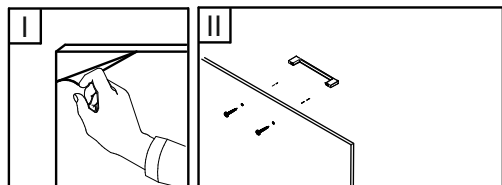
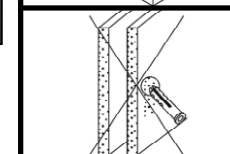
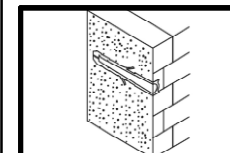
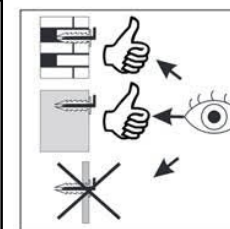
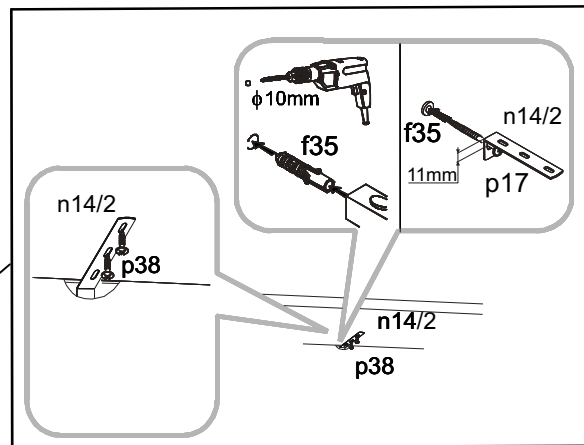
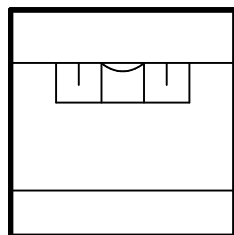
19

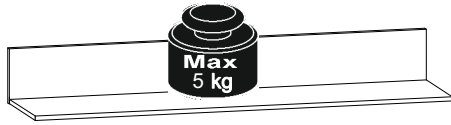


20

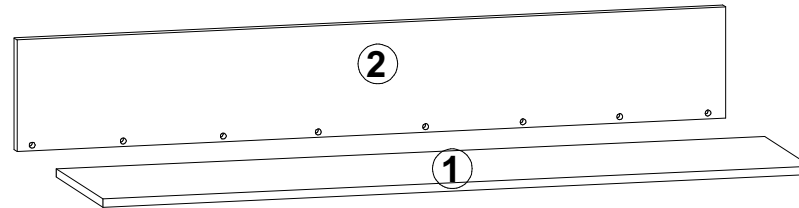


21

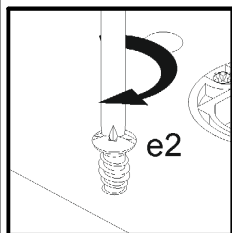
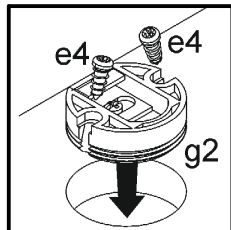
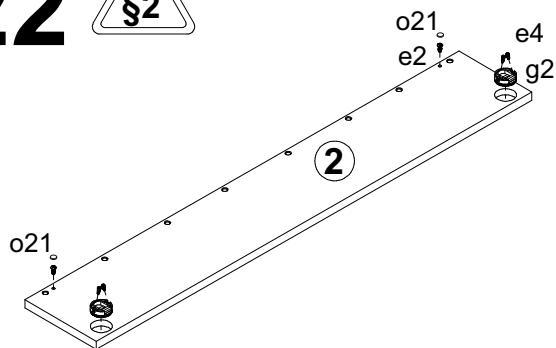




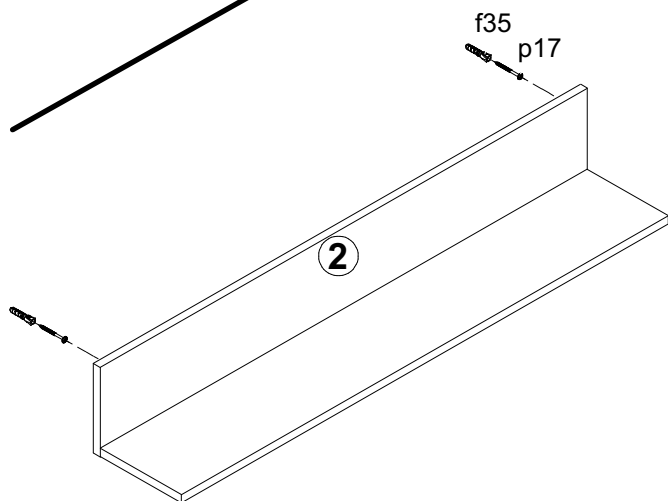
A	B	C (mm)		D
1	N42-306	1198	230	2/6
2	N42-401	1200	250	2/6



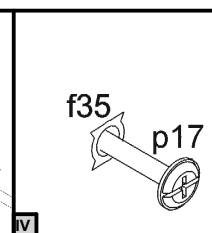
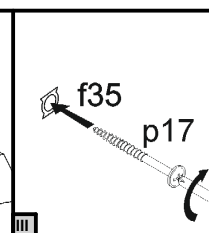
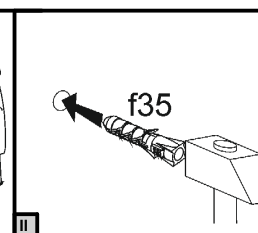
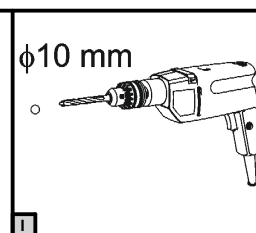
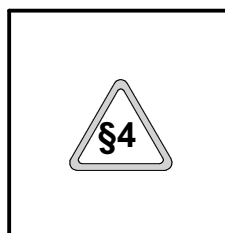
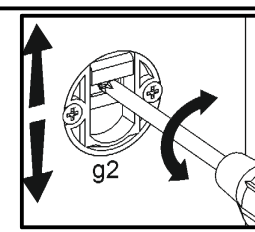
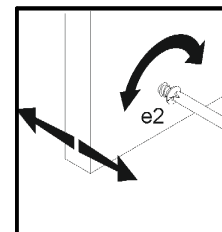
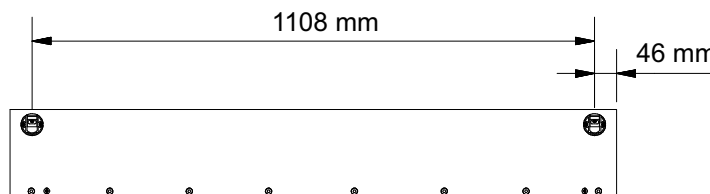
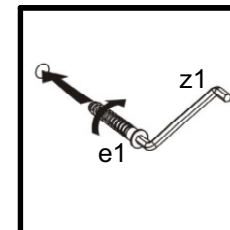
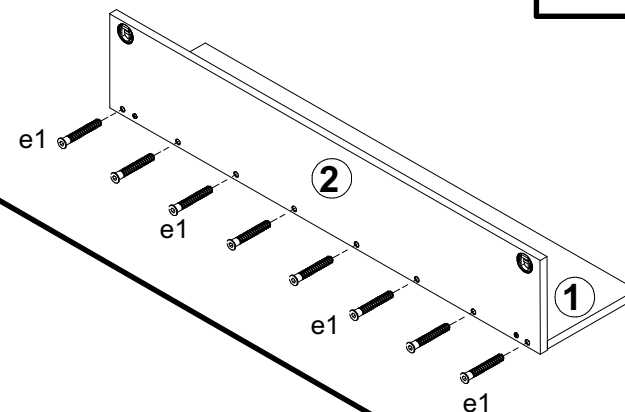
22



24



23



25

