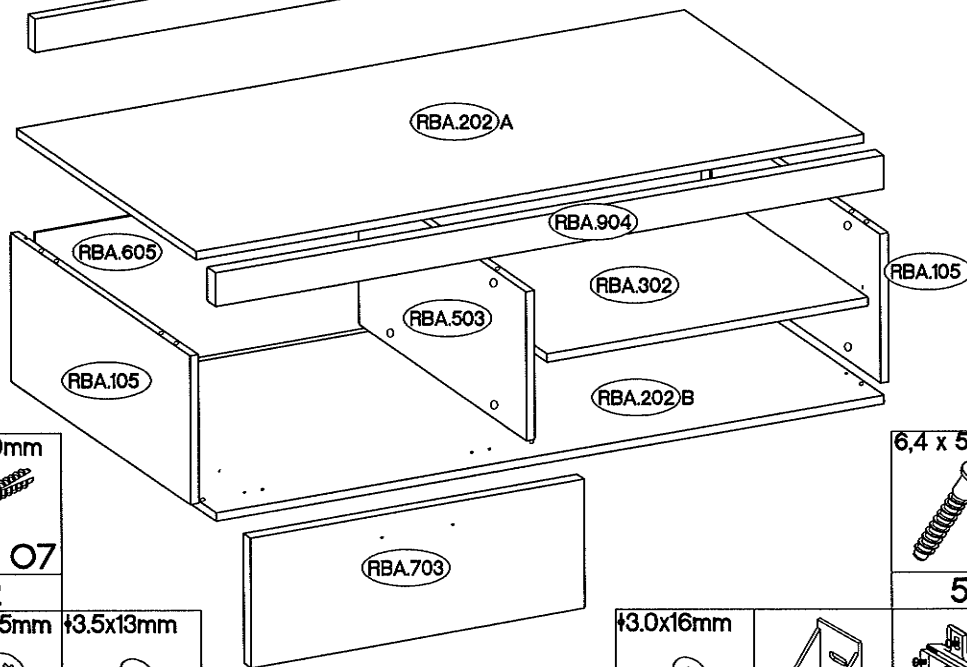
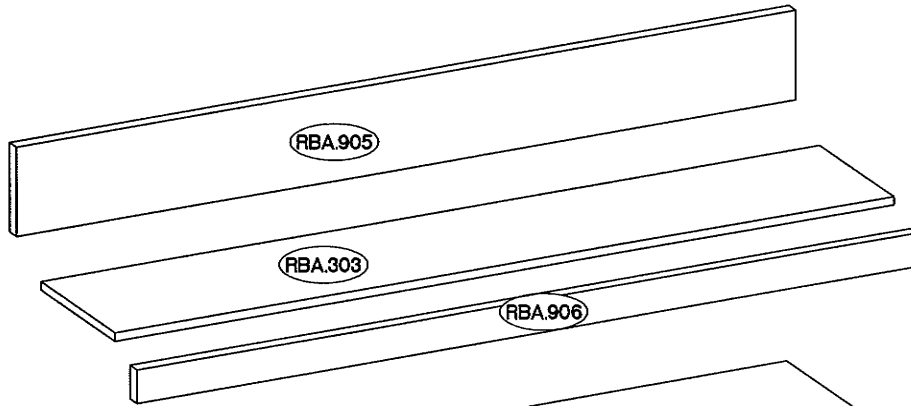
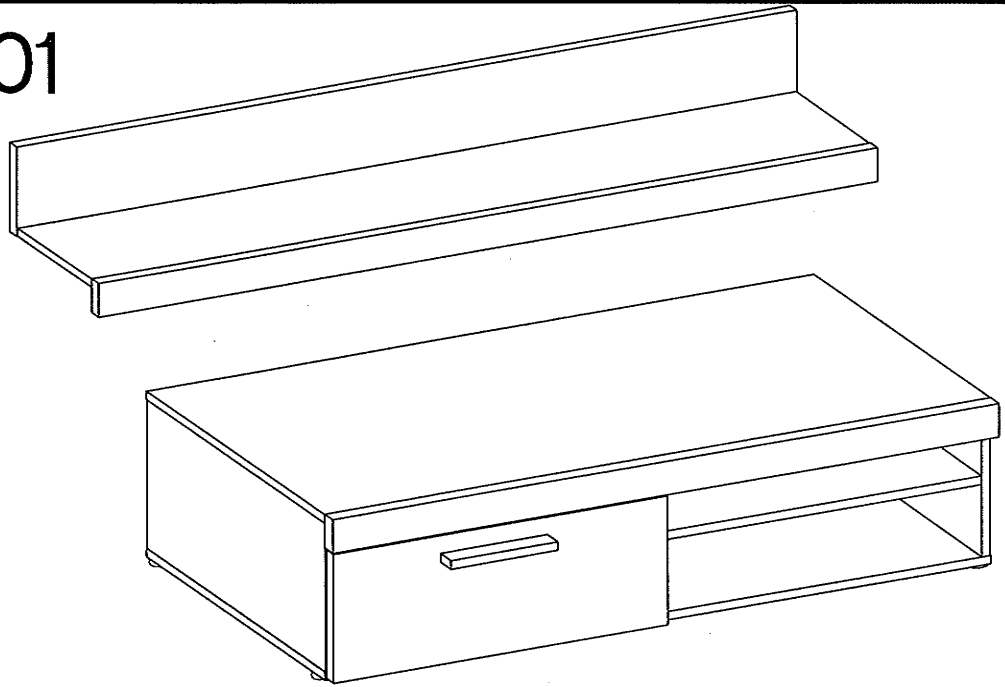






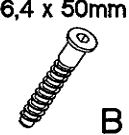
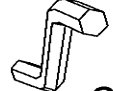
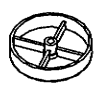




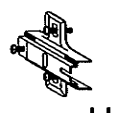



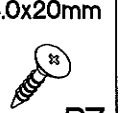



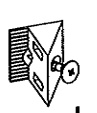


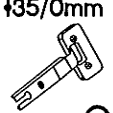


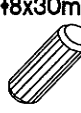


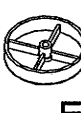



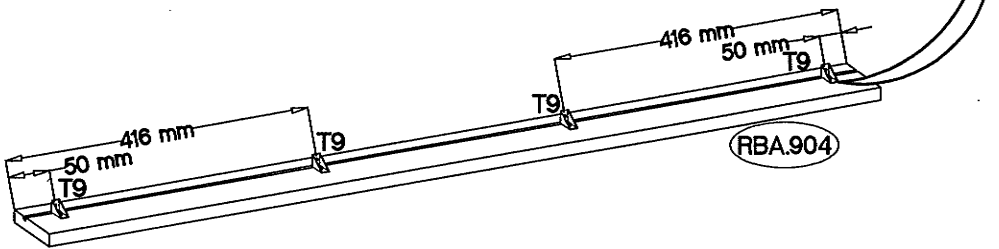
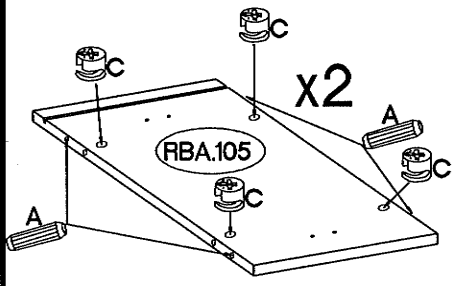
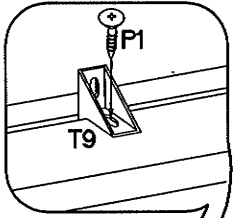
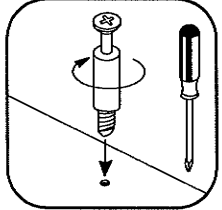
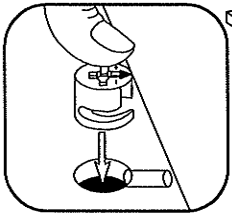
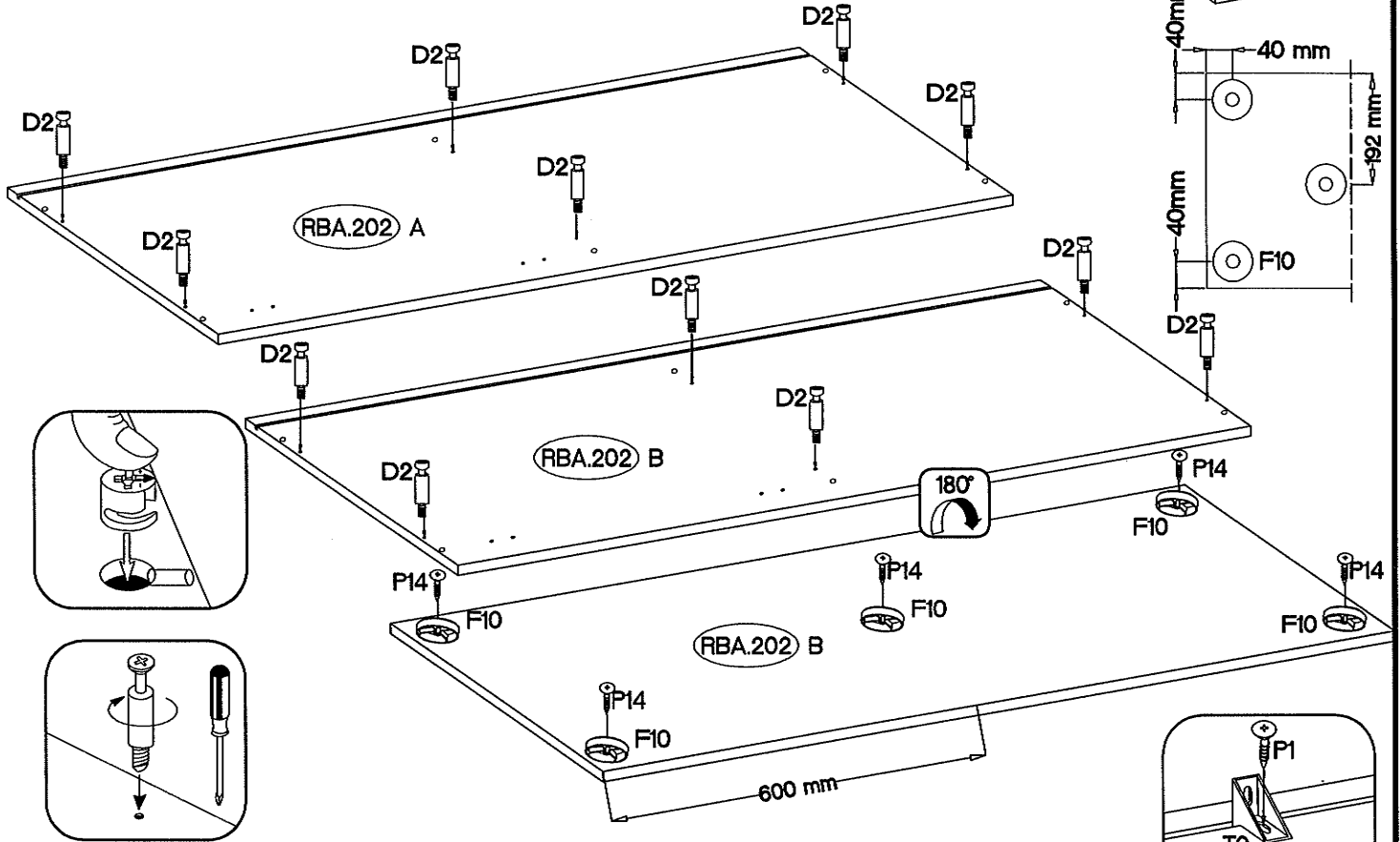
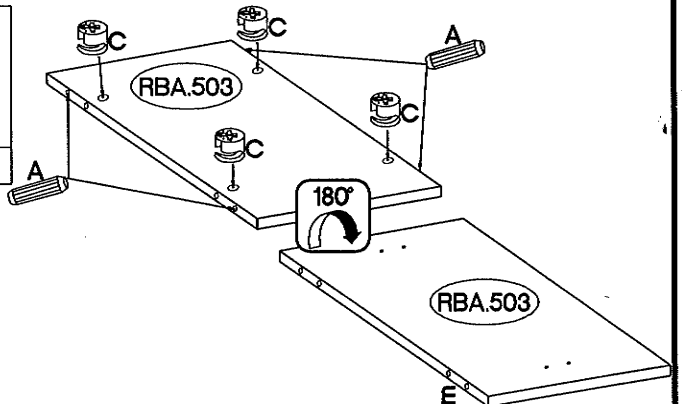
# RUMBA 01




									
12									4
									
2									2
									
2	2							5	1
									
5	5	7			3	8	2	4	
									
2	16	2	12	12	12	5	1	1	2

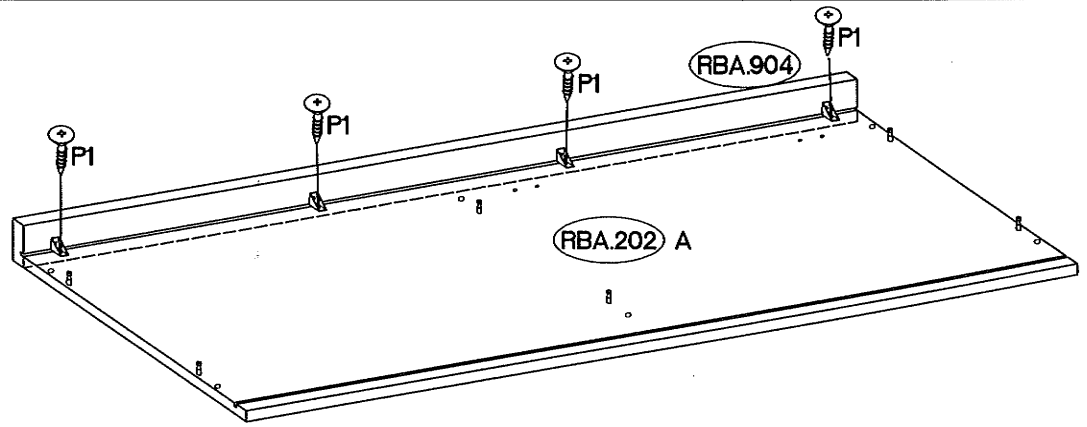
1

L=20mm  D2 12	†15/12mm  C 12	†8x30mm  A 12	 T9 4	†4.0x16mm  P1 4
 F10 5	†4.0x25mm  P14 5			

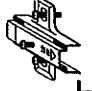
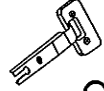



2


†4.0x16mm  P1 4
-------------------------------------------------------------------------------------------------------------

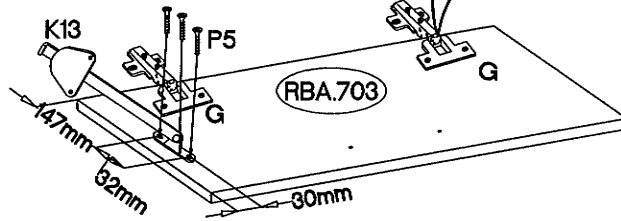
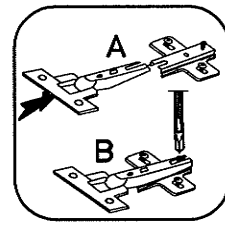
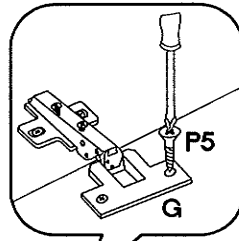


6




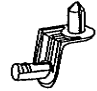
H=0  H	±35/0mm  G	±3.5x13mm  P5
2	2	4


 K13
1

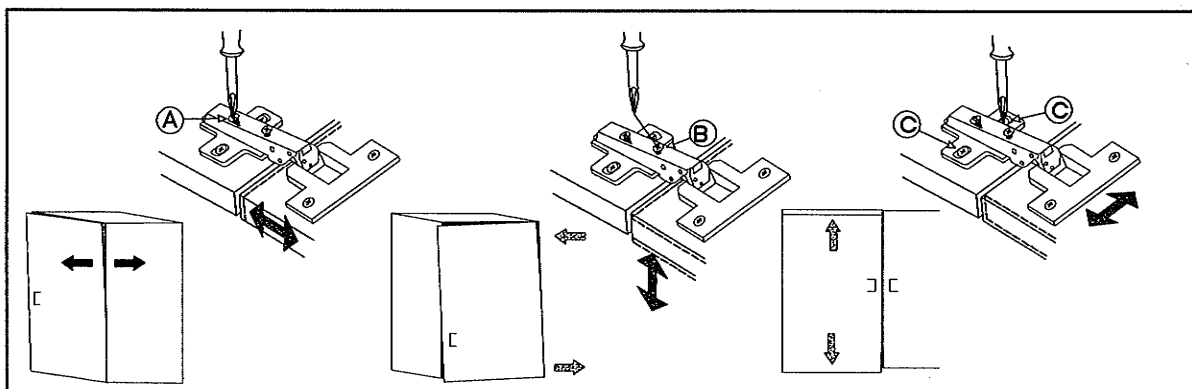
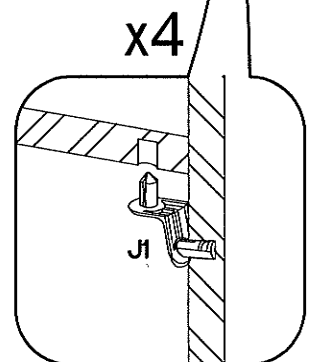
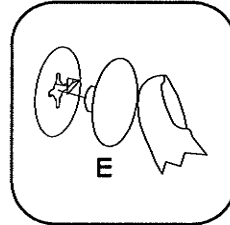
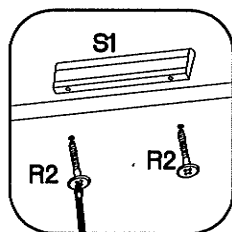
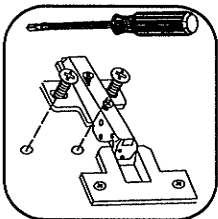
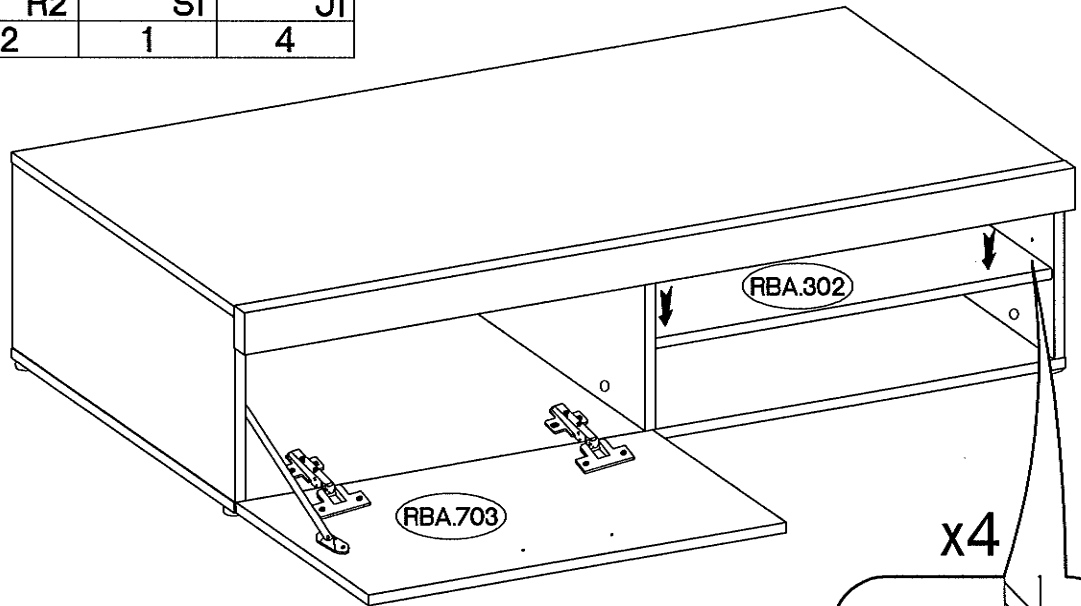


7

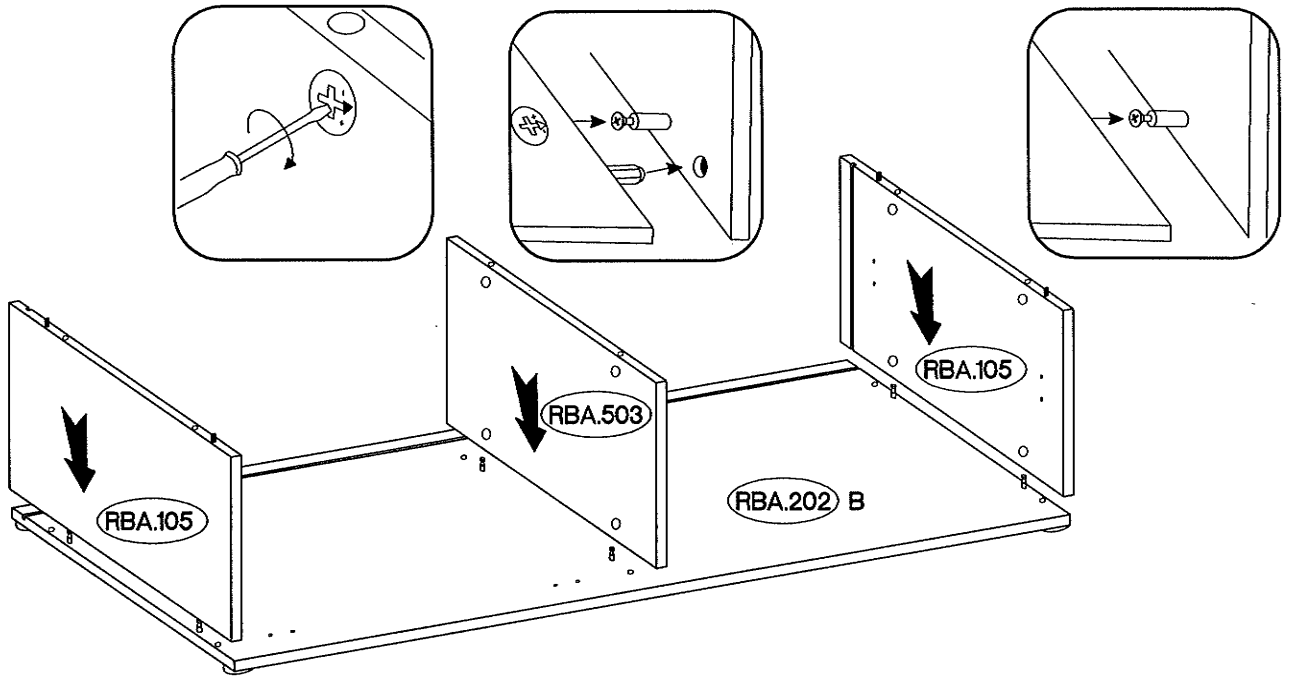
 E	±4.0x30mm  R2	L=128mm  S1	 J1
12	2	1	4

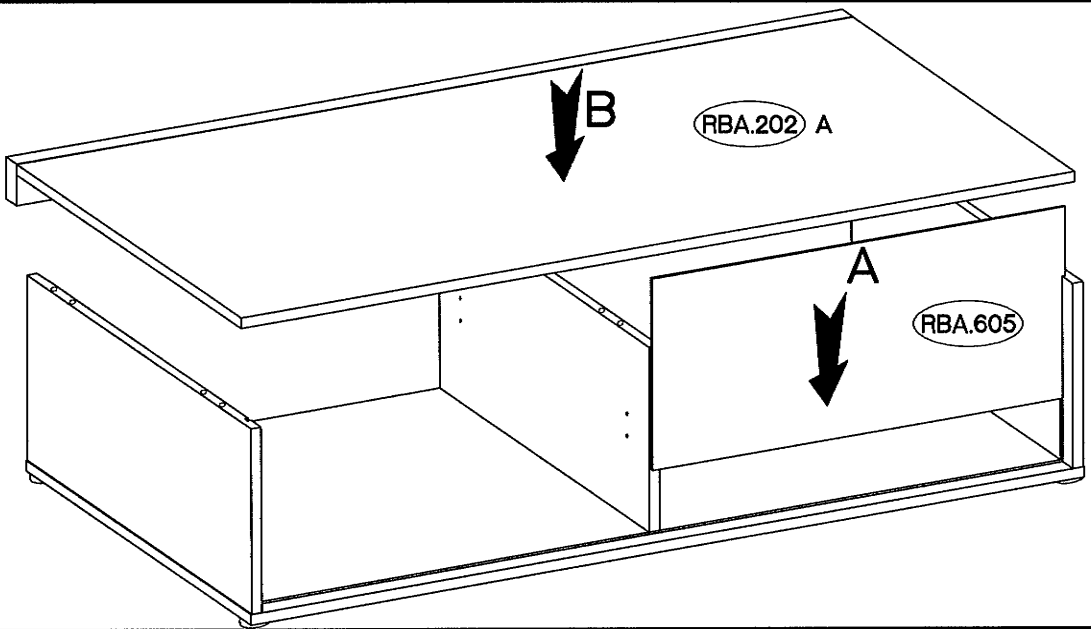
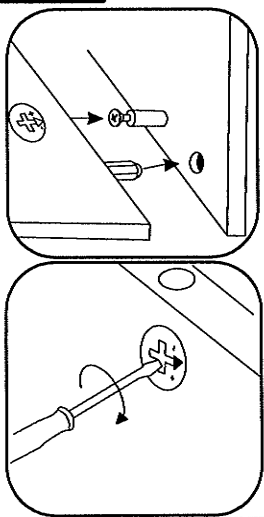
±3.0x16mm  P11
3



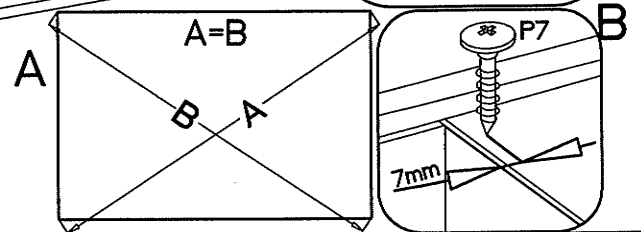
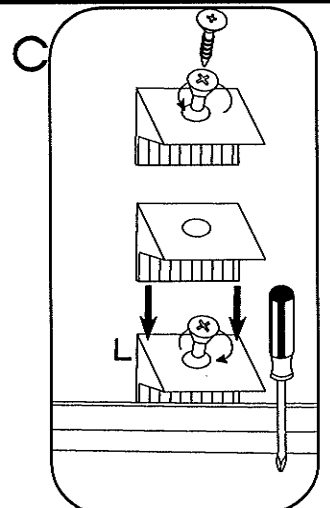
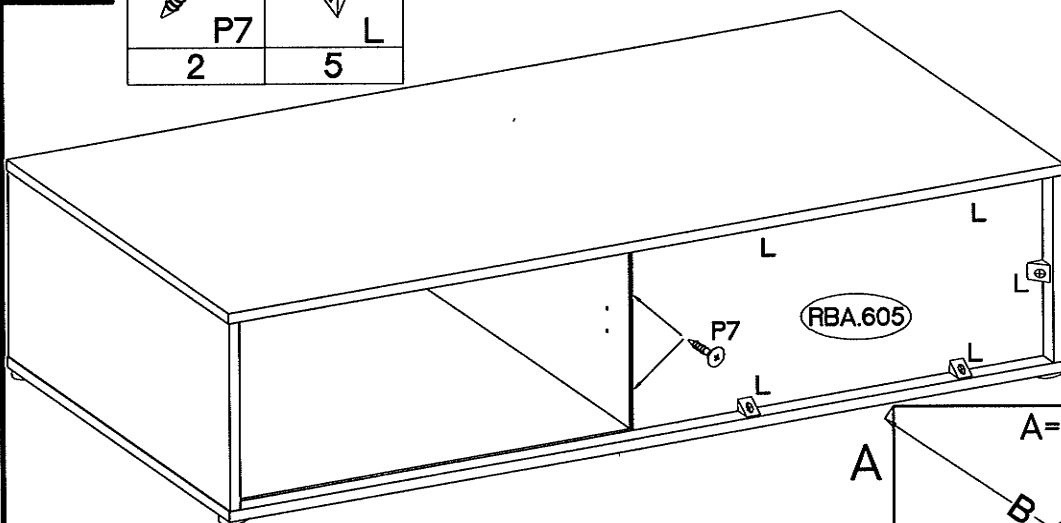
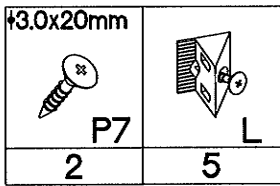
3




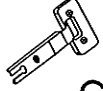

4

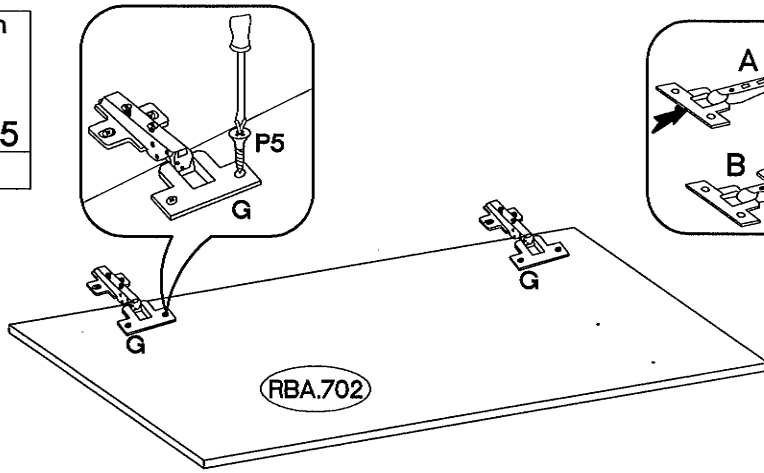


5


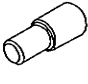

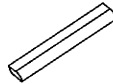


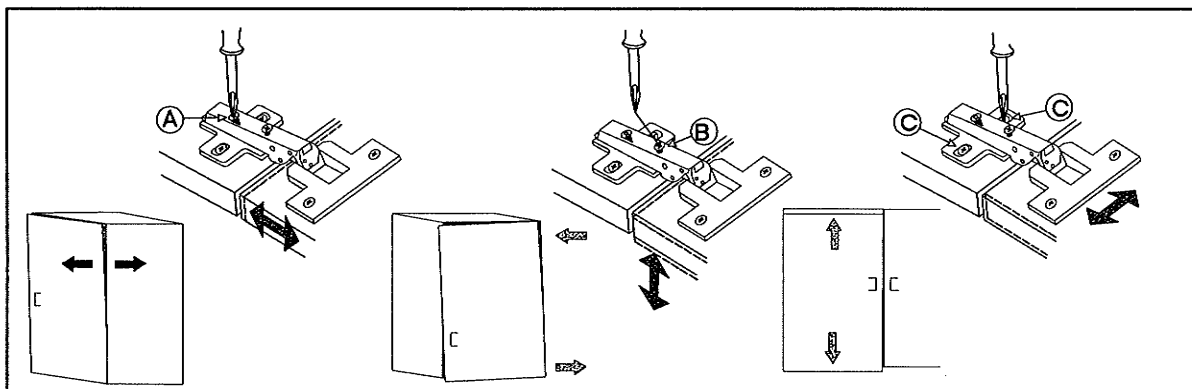
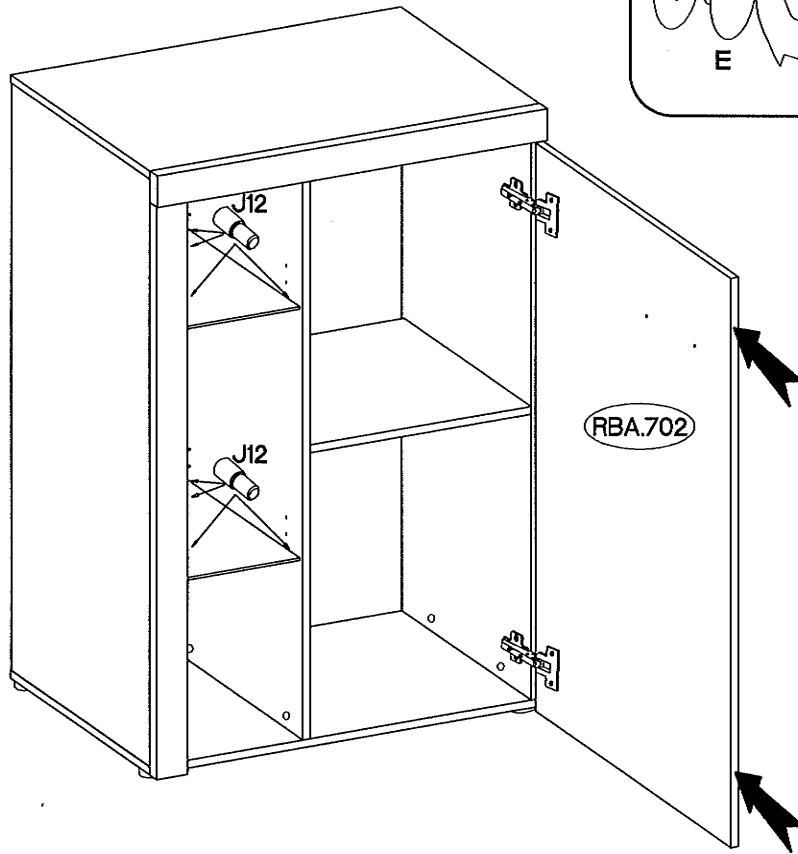
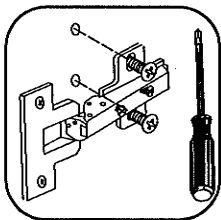
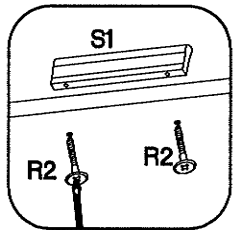
# 30

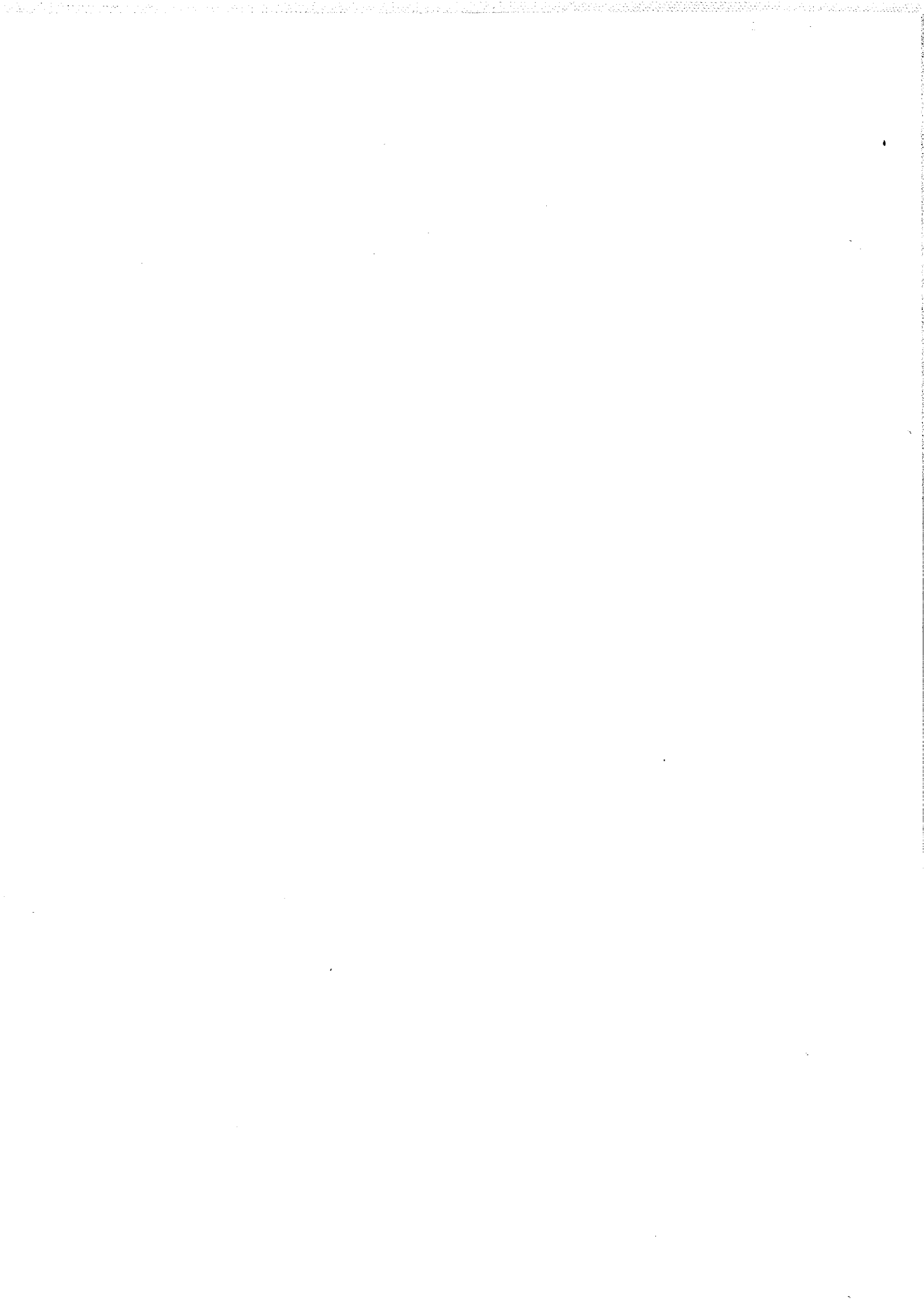
H=0  H	±35/0mm  G	±3.5x13mm  P5
2	2	4




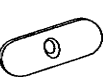
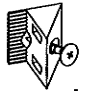
# 31

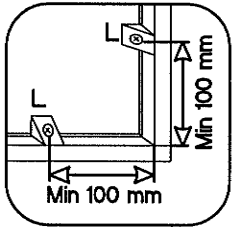
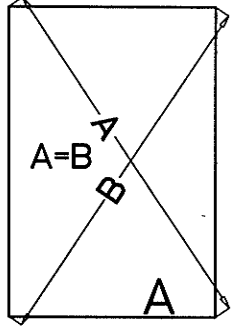
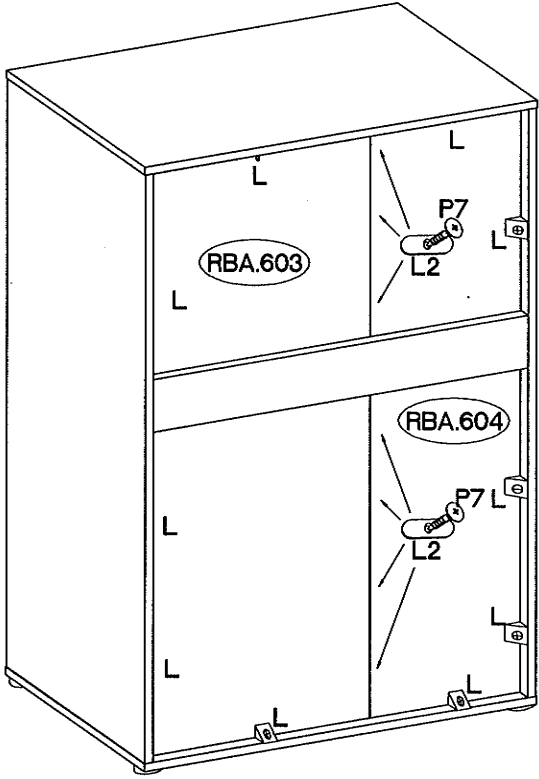
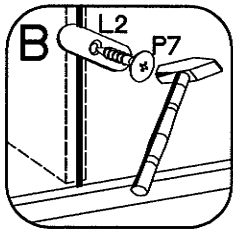
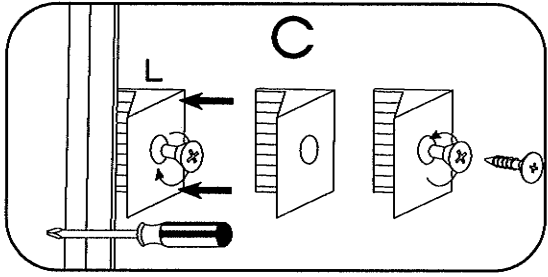
 E	 J12	±4.0x30mm  R2	L=128mm  S1
16	8	2	1






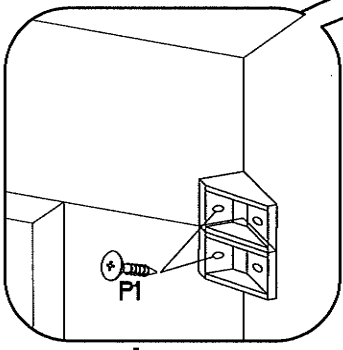
27

 P7 11	 L2 7	 L 10
-----------------------------------------------------------------------------------------------	----------------------------------------------------------------------------------------------	----------------------------------------------------------------------------------------------

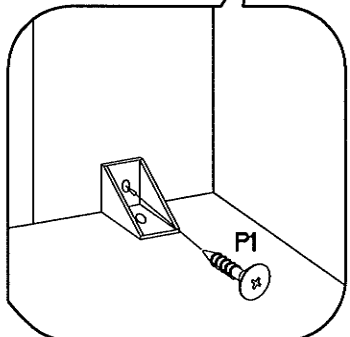
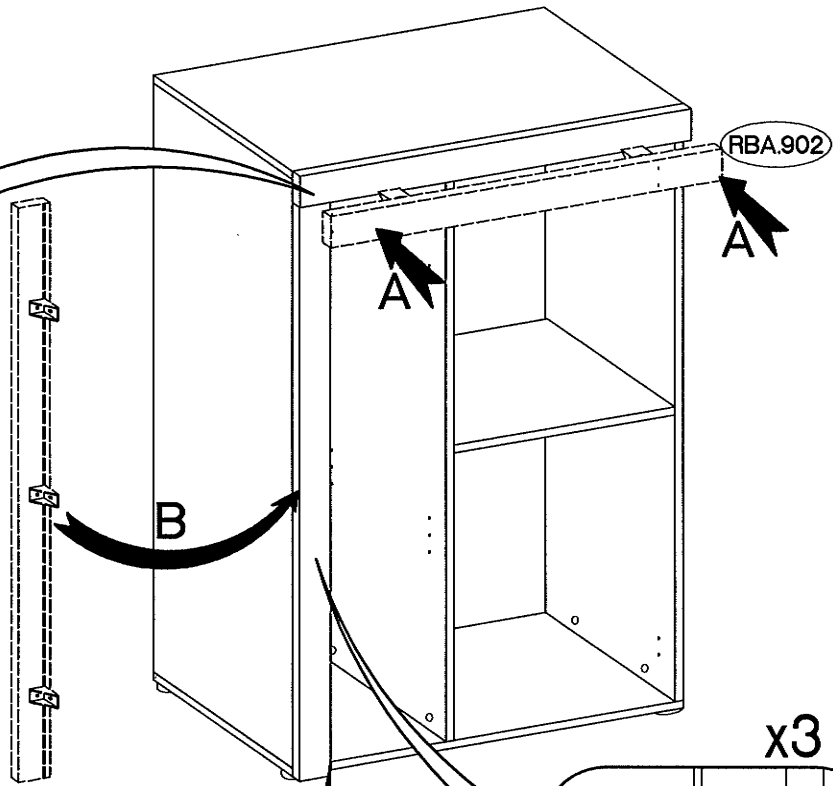


28

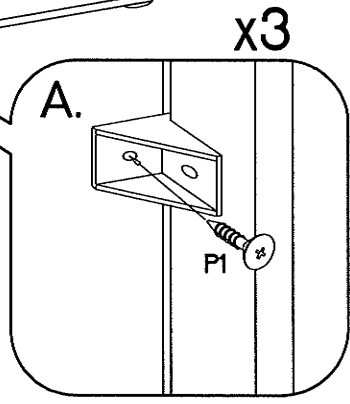
 P1 10
------------------------------------------------------------------------------------------------



x1

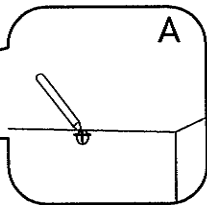





x1

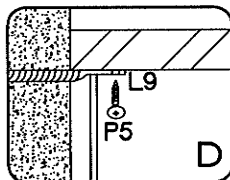
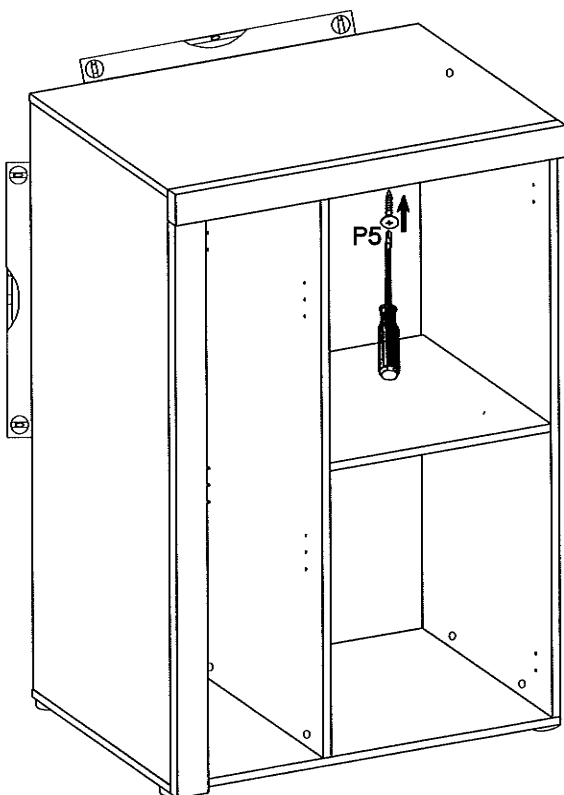
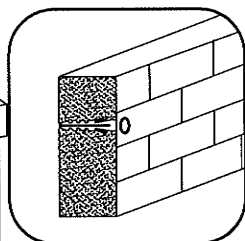
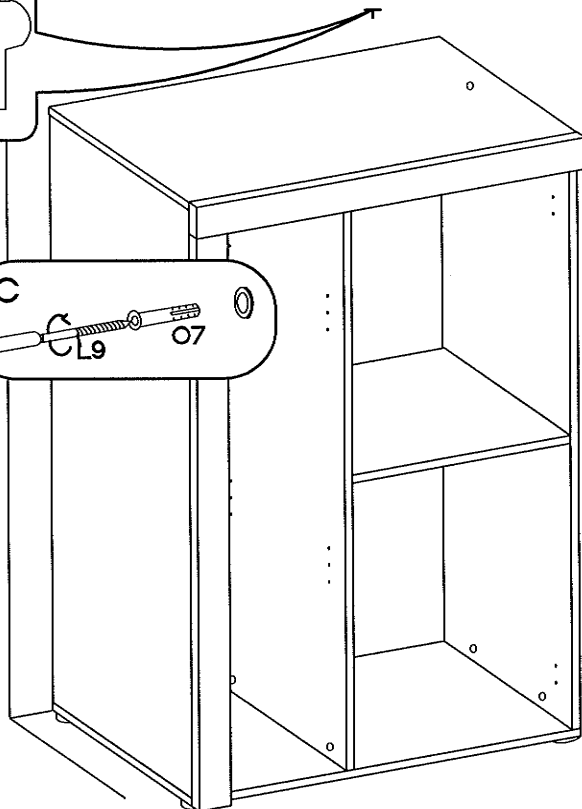
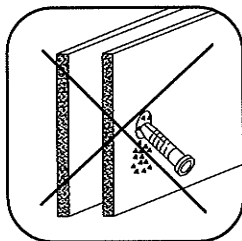
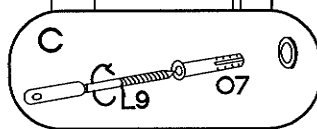
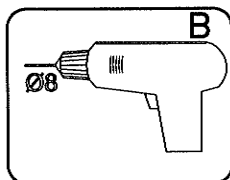
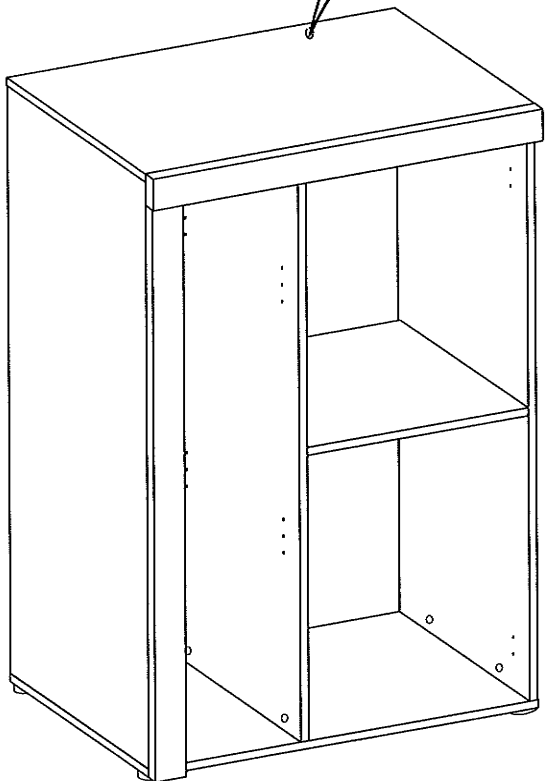


x3





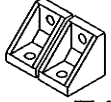
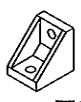



29

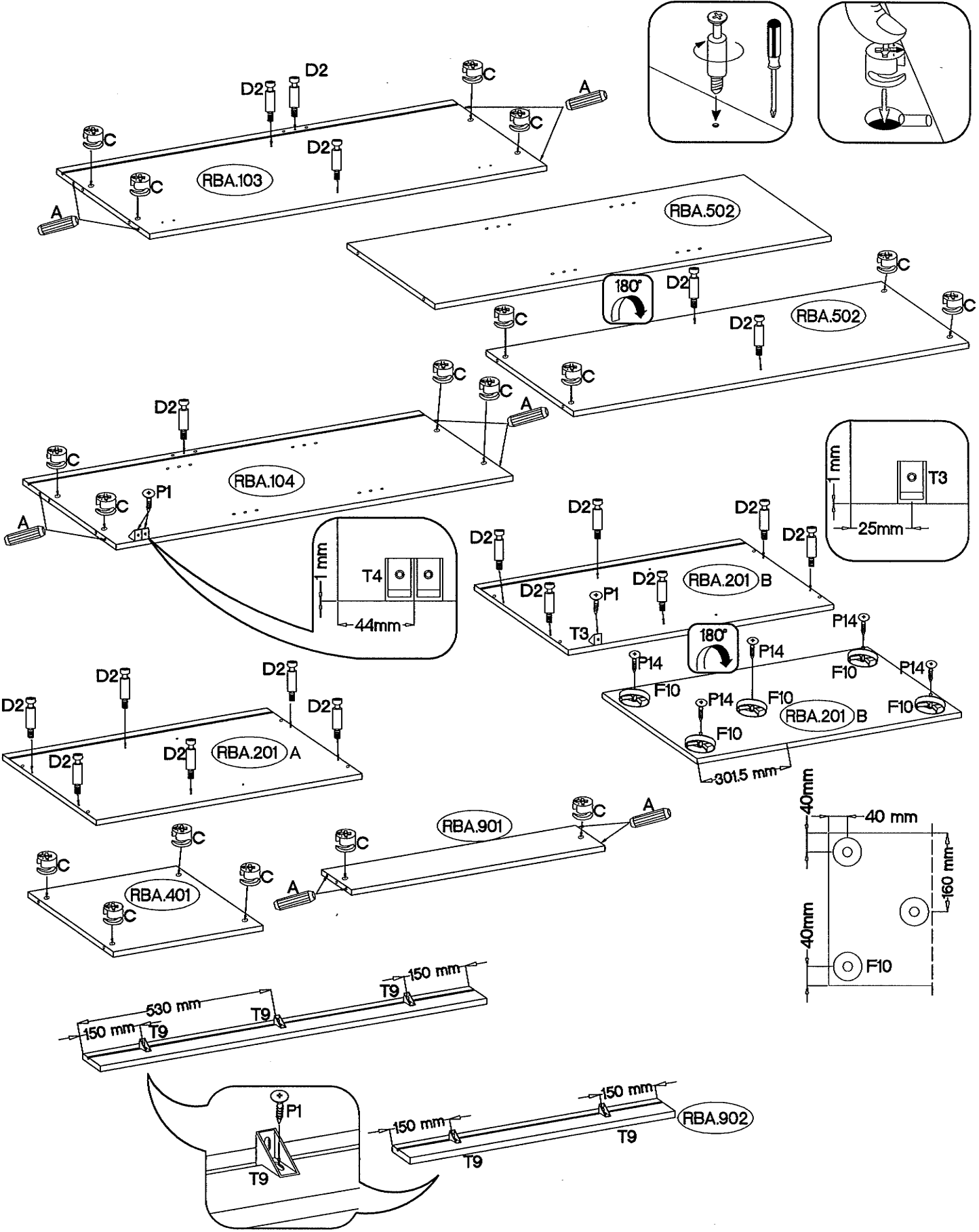


±10x50mm  O7 1	 L9 1	±3.5x13mm  P5 1
------------------------------------------------------------------------------------------------------------	------------------------------------------------------------------------------------------------	-------------------------------------------------------------------------------------------------------------

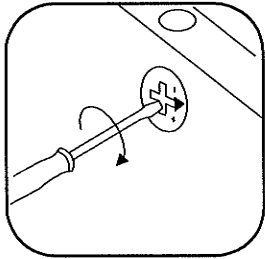
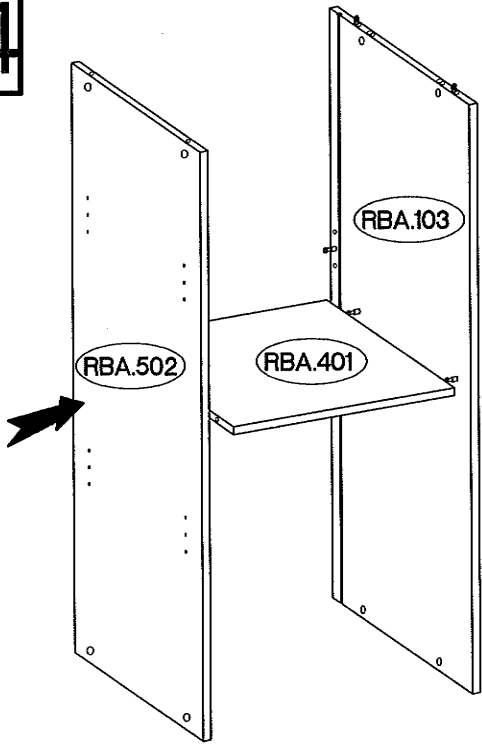




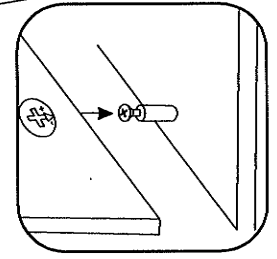
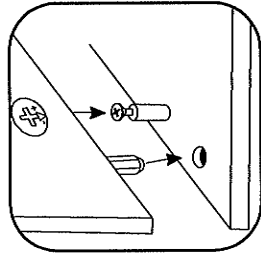
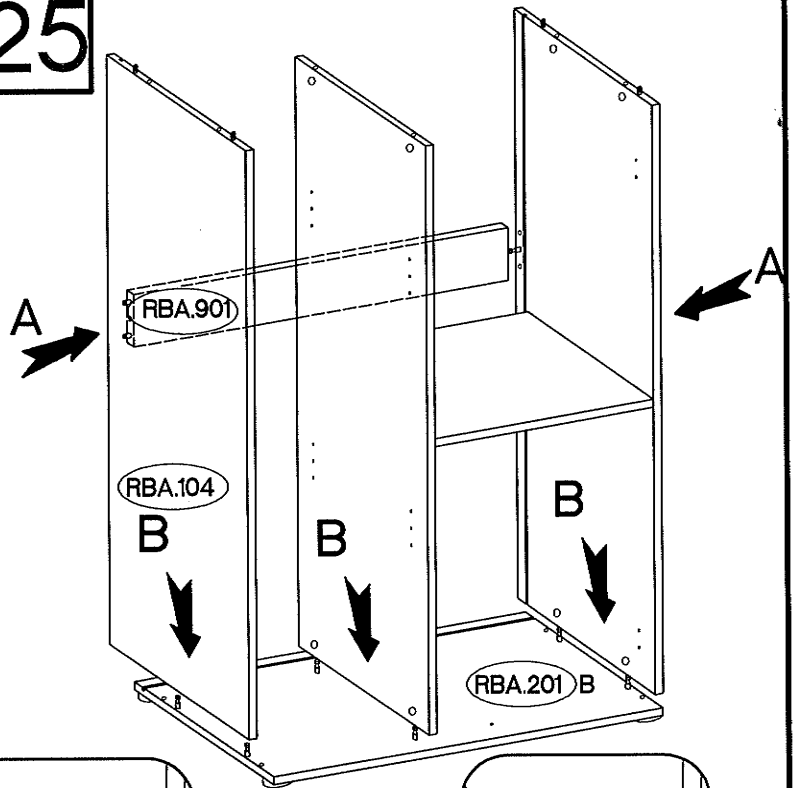
L=20mm  D2 18	±15/12mm  C 18	±8x30mm  A 12	 T9 5	 T4 1	 T3 1	±4.0x16mm  P1 8	 F10 5	±4.0x25mm  P14 5
---------------------------------------------------------------------------------------------------------	----------------------------------------------------------------------------------------------------------	---------------------------------------------------------------------------------------------------------	----------------------------------------------------------------------------------------------	----------------------------------------------------------------------------------------------	----------------------------------------------------------------------------------------------	-------------------------------------------------------------------------------------------------------------	-------------------------------------------------------------------------------------------------	--------------------------------------------------------------------------------------------------------------



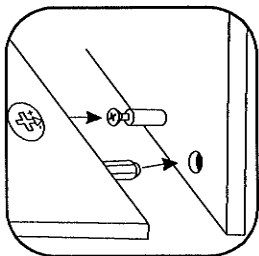
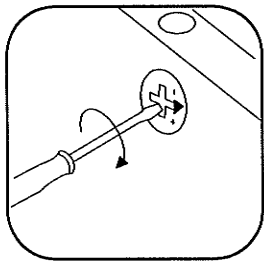
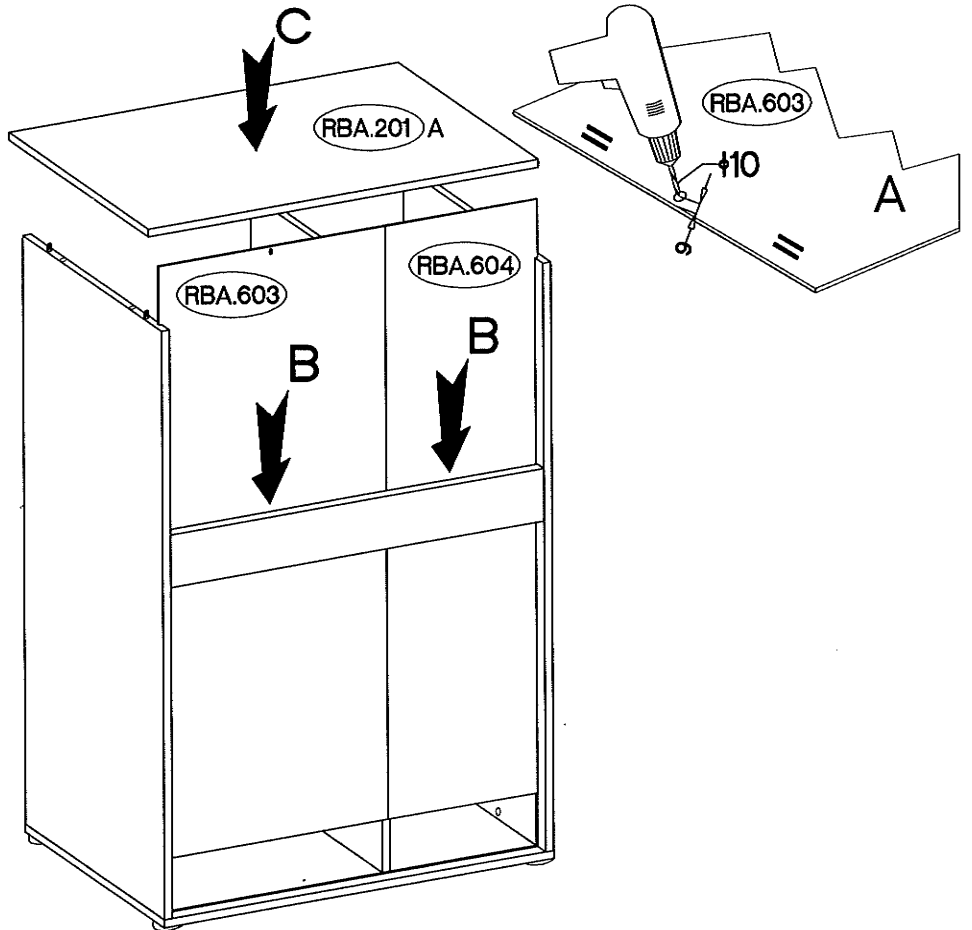
24



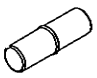

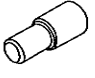


25

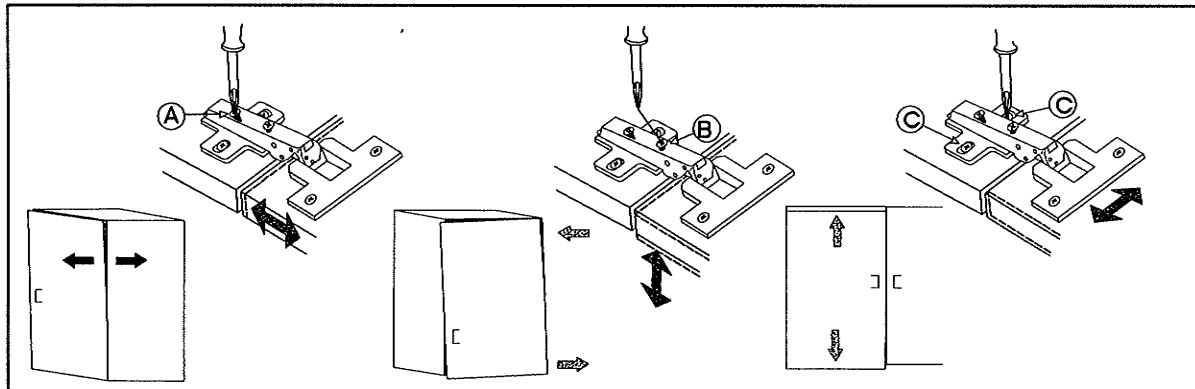
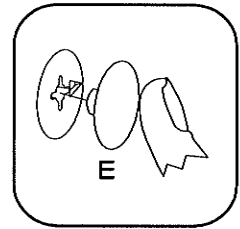
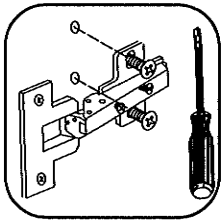
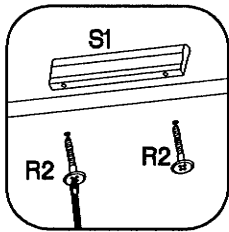
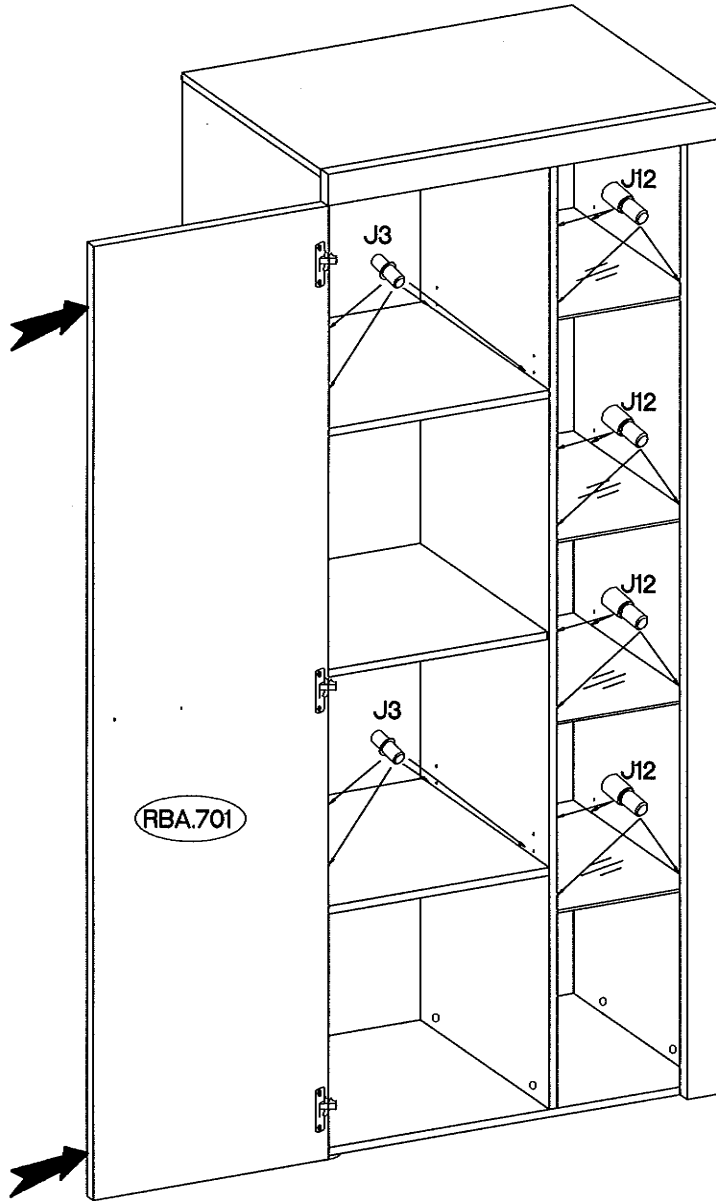


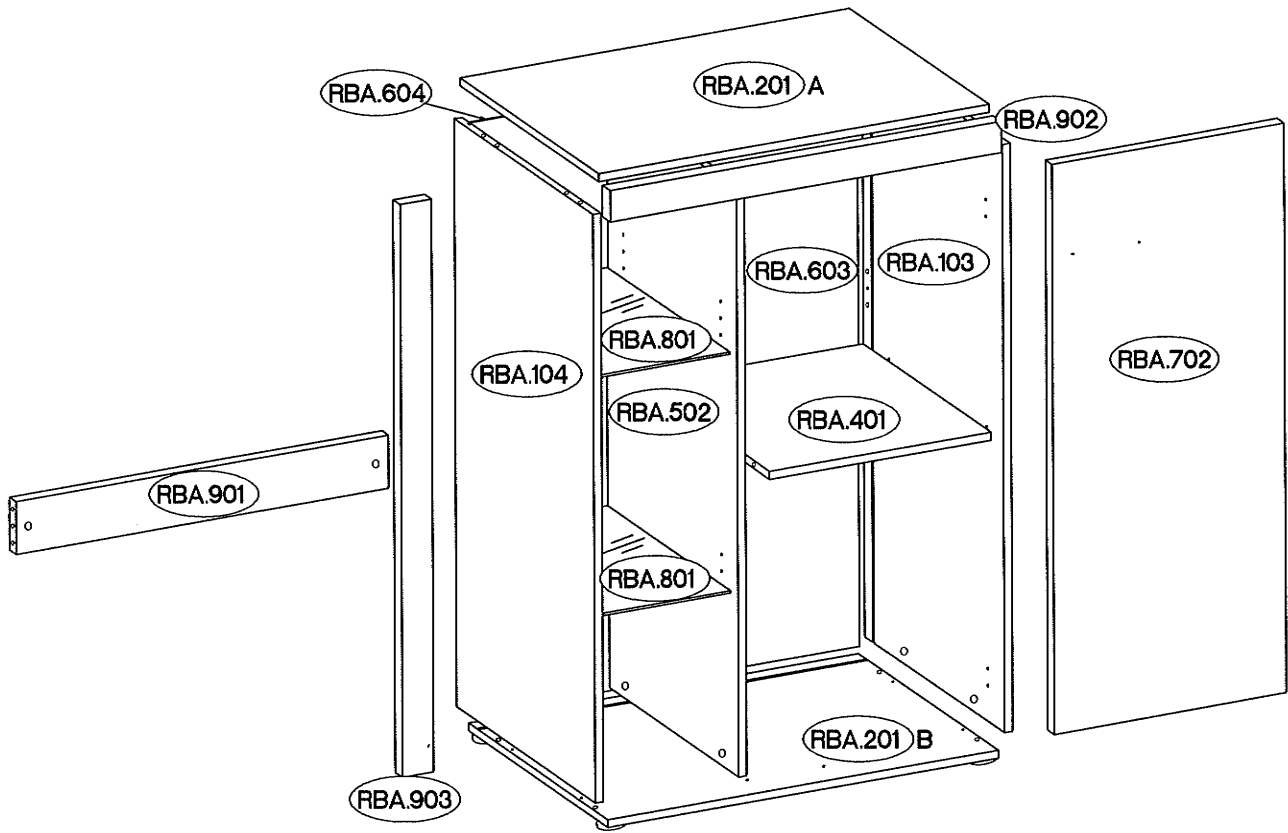
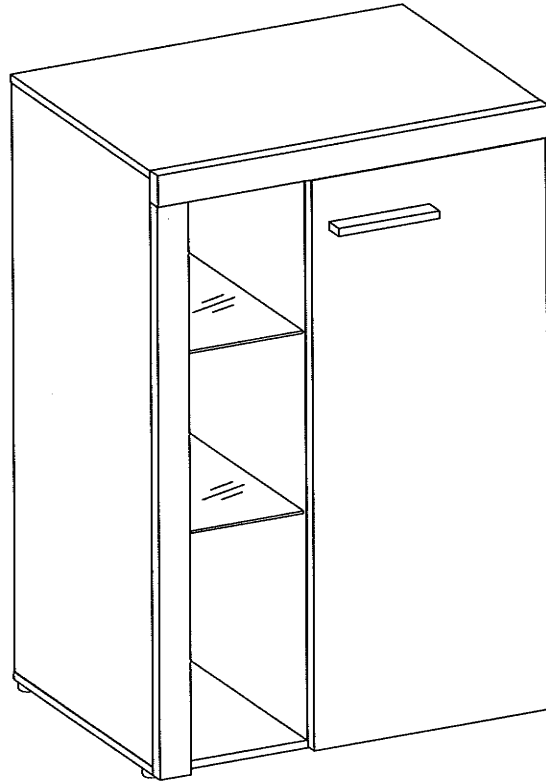
26










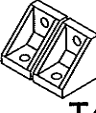





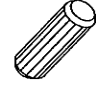
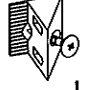
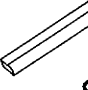

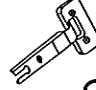


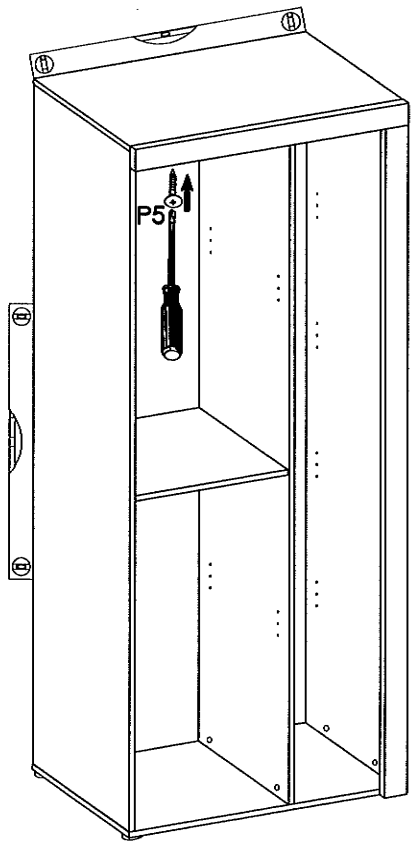
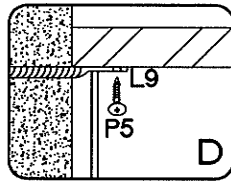
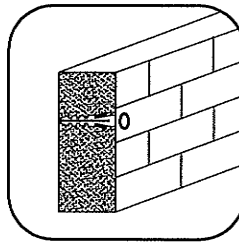
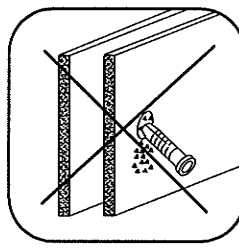
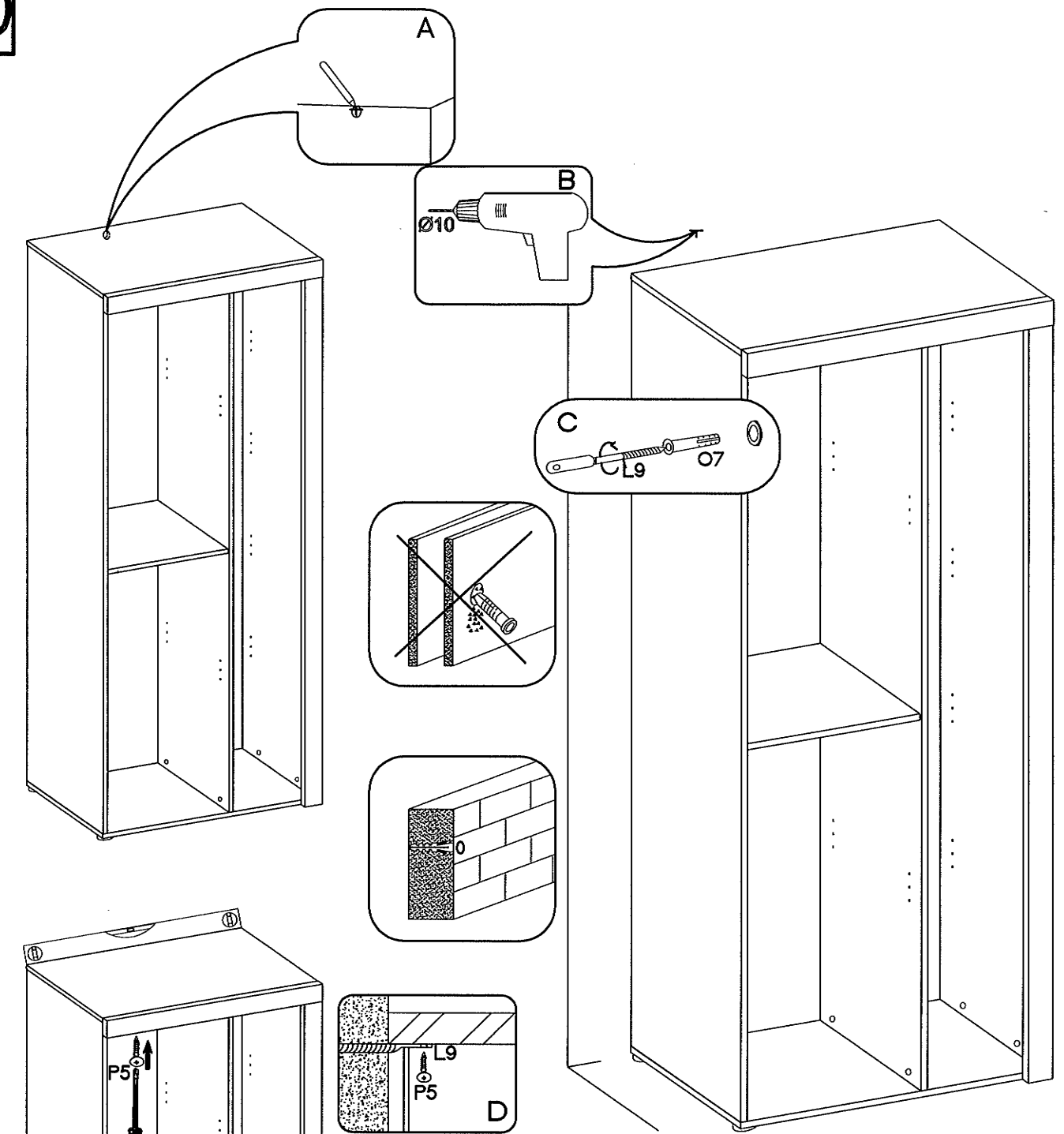
# 21




±5/16mm  J3 8	 E 16	 J12 16	±4.0x30mm L=128mm  R2 2	 S1 1
---------------------------------------------------------------------------------------------------------	----------------------------------------------------------------------------------------------	------------------------------------------------------------------------------------------------	-------------------------------------------------------------------------------------------------------------------	----------------------------------------------------------------------------------------------





$\dagger 10 \times 50 \text{mm}$  O7	 L9	 F10	$\dagger 4.0 \times 25 \text{mm}$  P14	H=0  H	 L2	$\dagger 3.5 \times 13 \text{mm}$  P5	 J12	 T9	 T4
1	1	5	5	2	7	5	8	5	1
$\dagger 4.0 \times 30 \text{mm}$  R2	$\dagger 4.0 \times 16 \text{mm}$  P1	$\dagger 3.0 \times 20 \text{mm}$  P7	L=20mm  D2	$\dagger 15/12 \text{mm}$  C	$\dagger 8 \times 30 \text{mm}$  A	 L	L=128mm  S1	 E	$\dagger 35/0 \text{mm}$  G
2	14	7	18	18	12	10	1	16	2



 †10x50mm O7 1	 L9 1	 †3.5x13mm P5 1
--------------------------------------------------------------------------------------------------------------	--------------------------------------------------------------------------------------------------	---------------------------------------------------------------------------------------------------------------

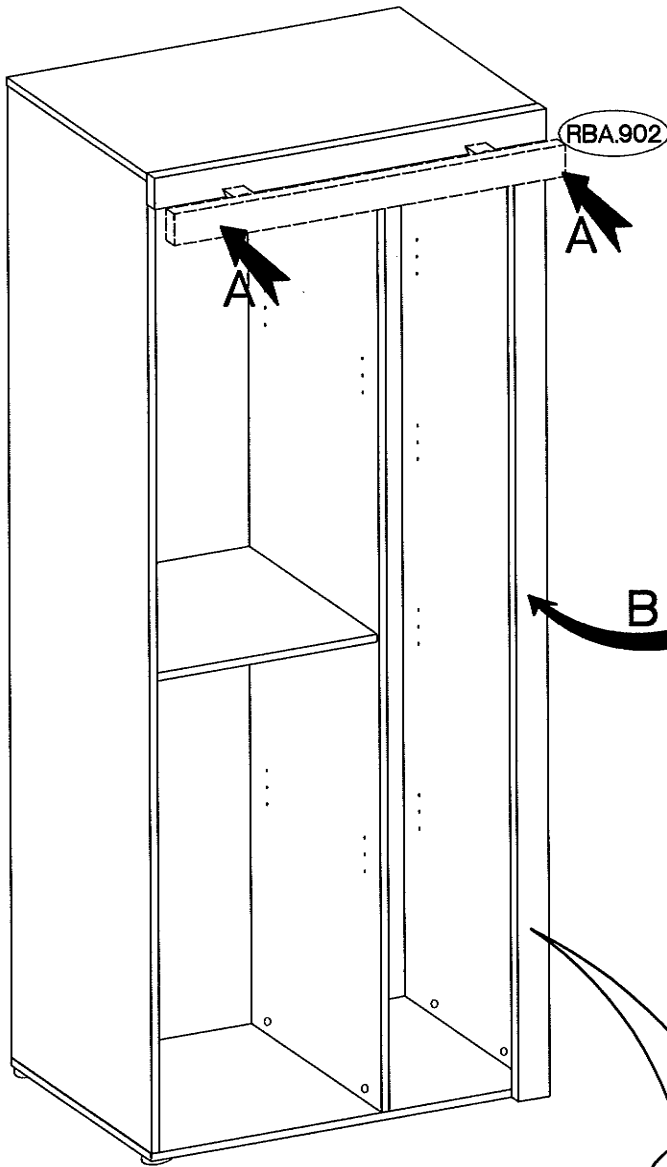
18

4.0x16mm

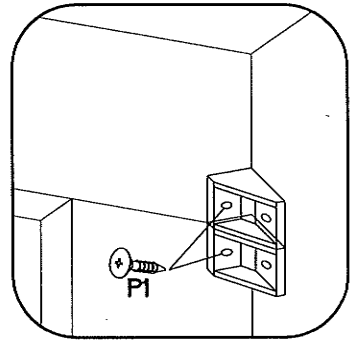


P1

10

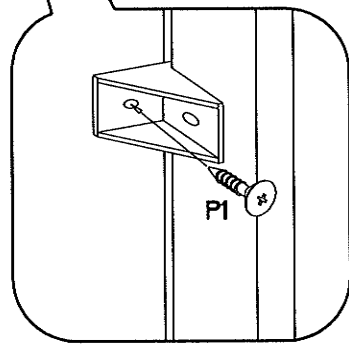


x1



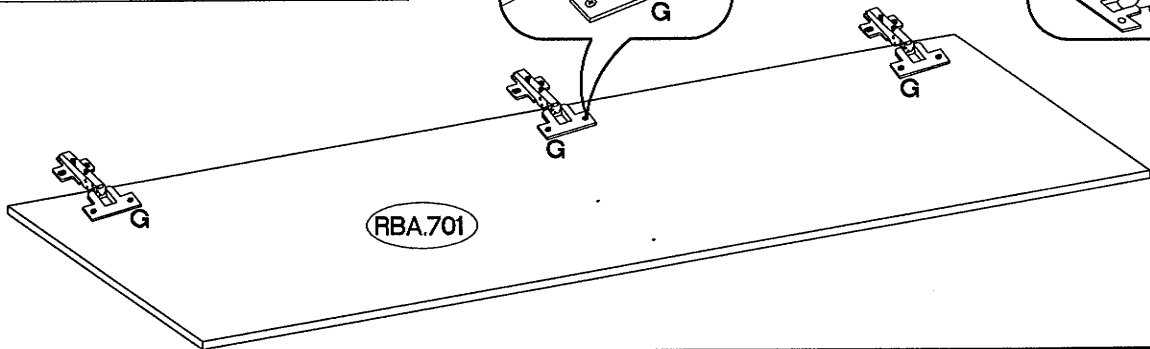
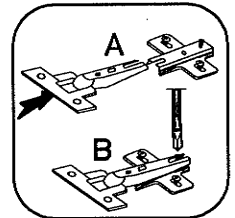
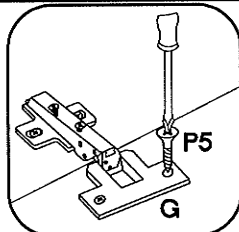
RBA.903

x5



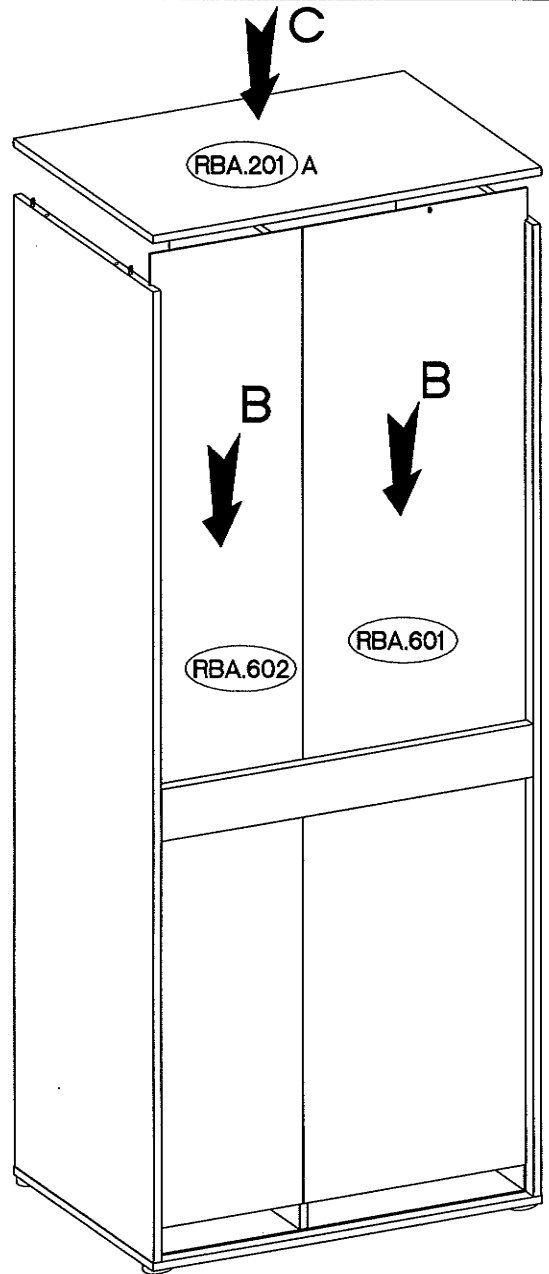
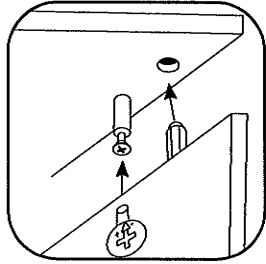
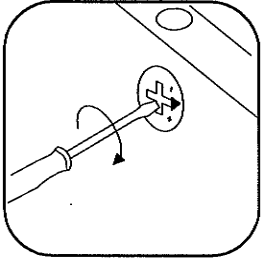
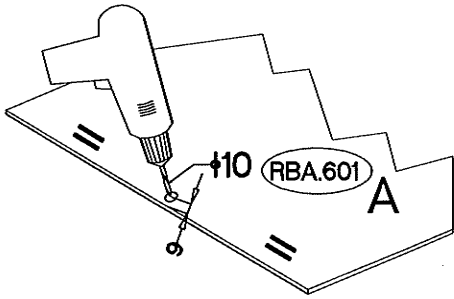
19

H=0 	35/0mm 	3.5x13mm 
H	G	P5
3	3	6

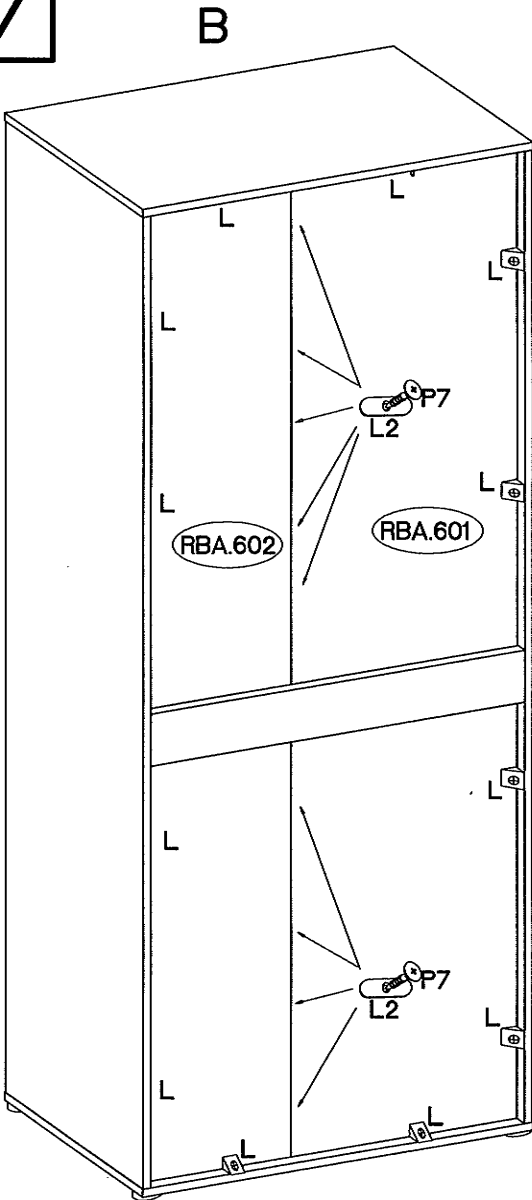


RBA.701

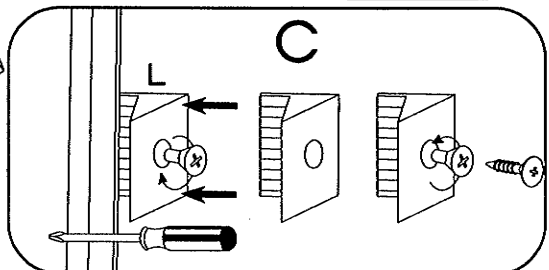
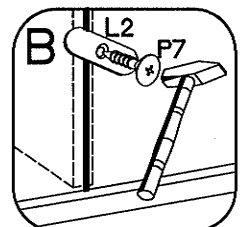
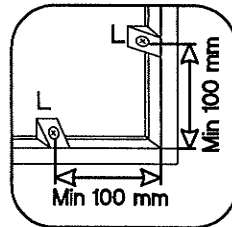
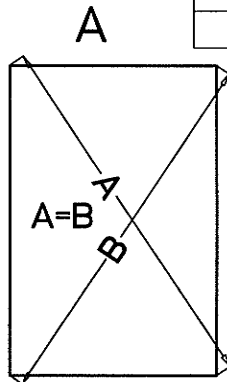
16



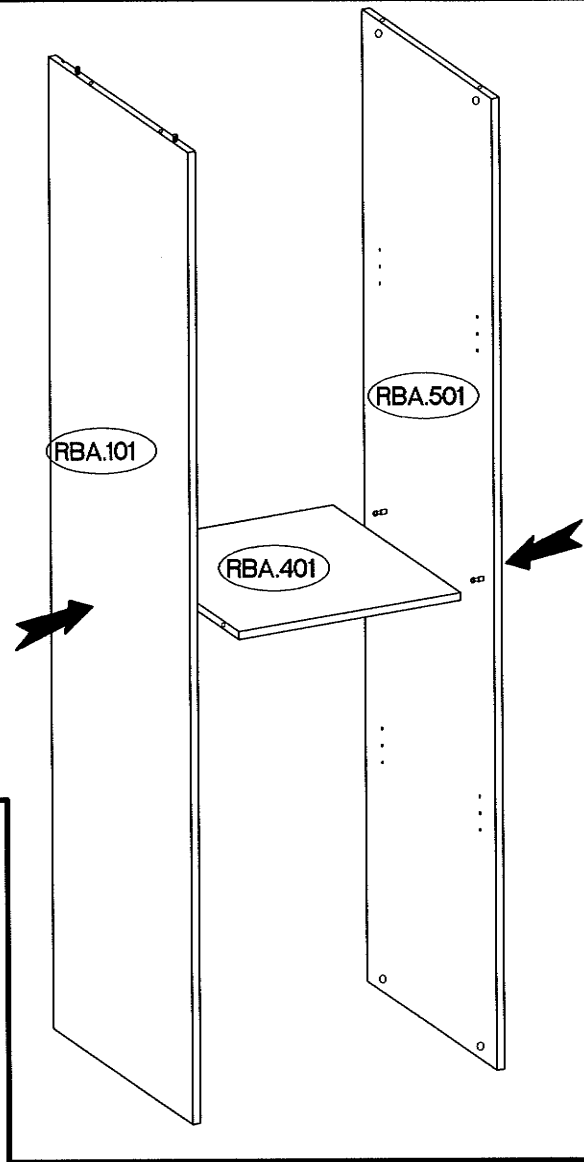
17



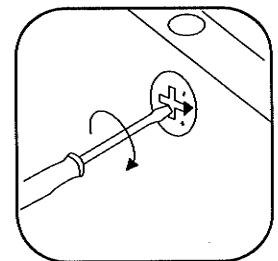
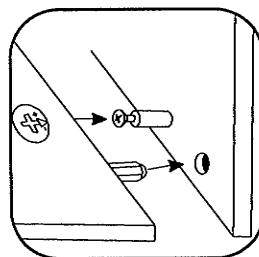
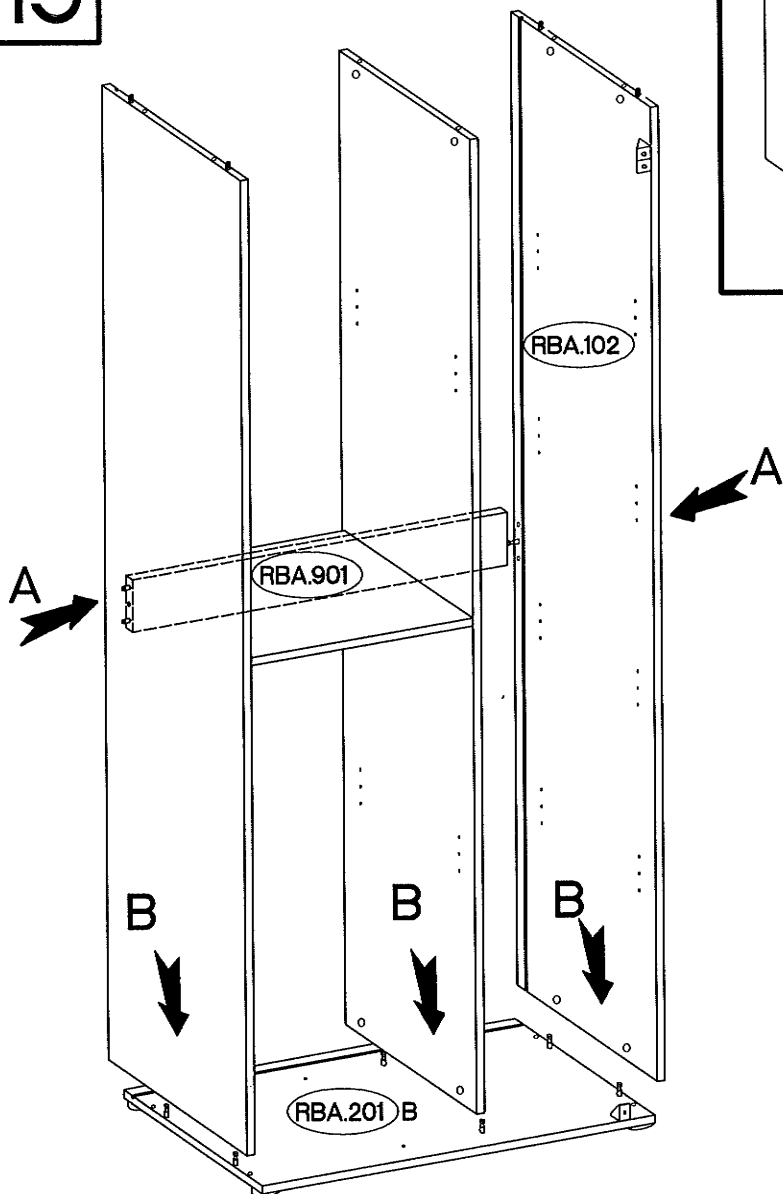
$\pm 3.0 \times 20 \text{ mm}$		
P7	L2	L
9	9	12



14

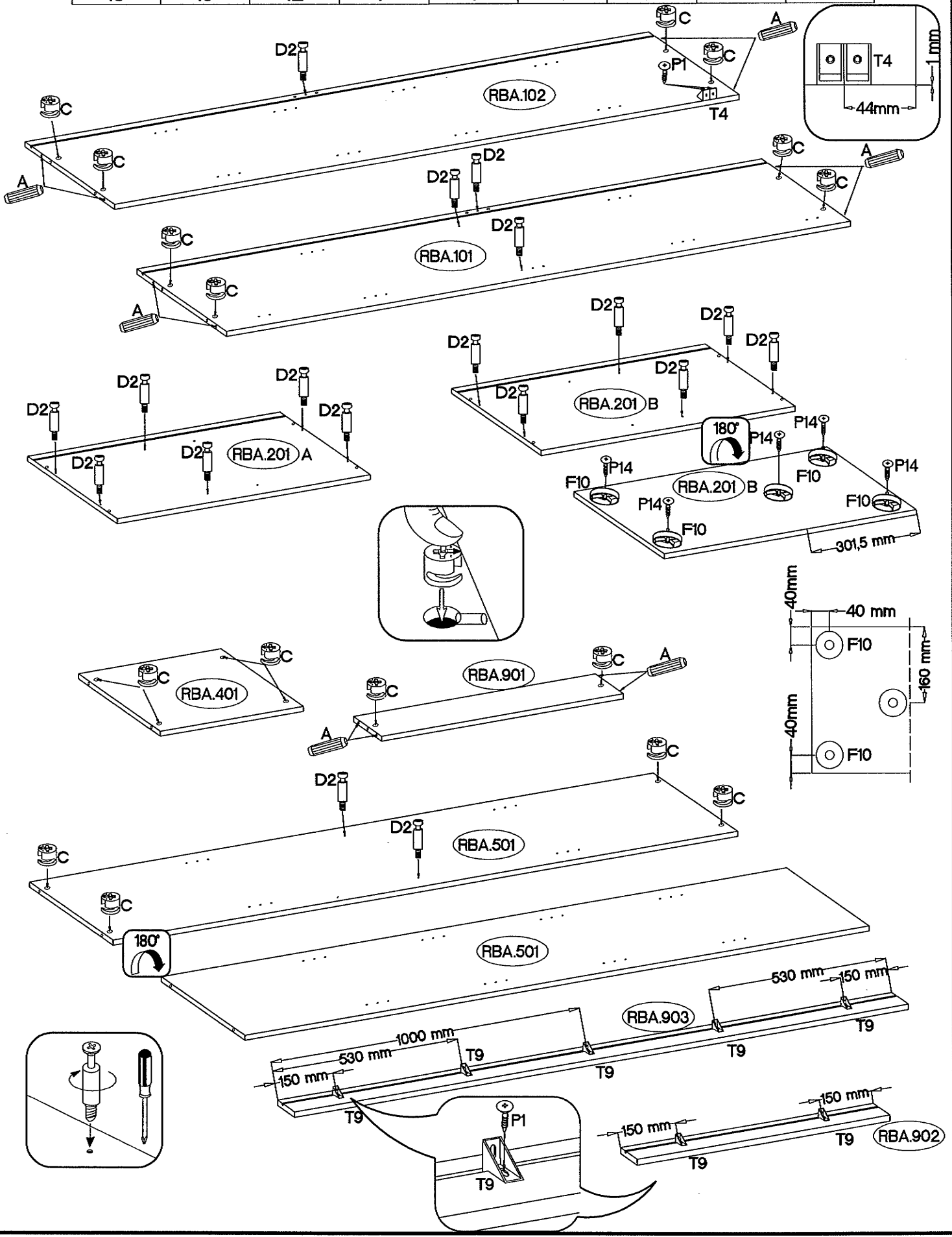


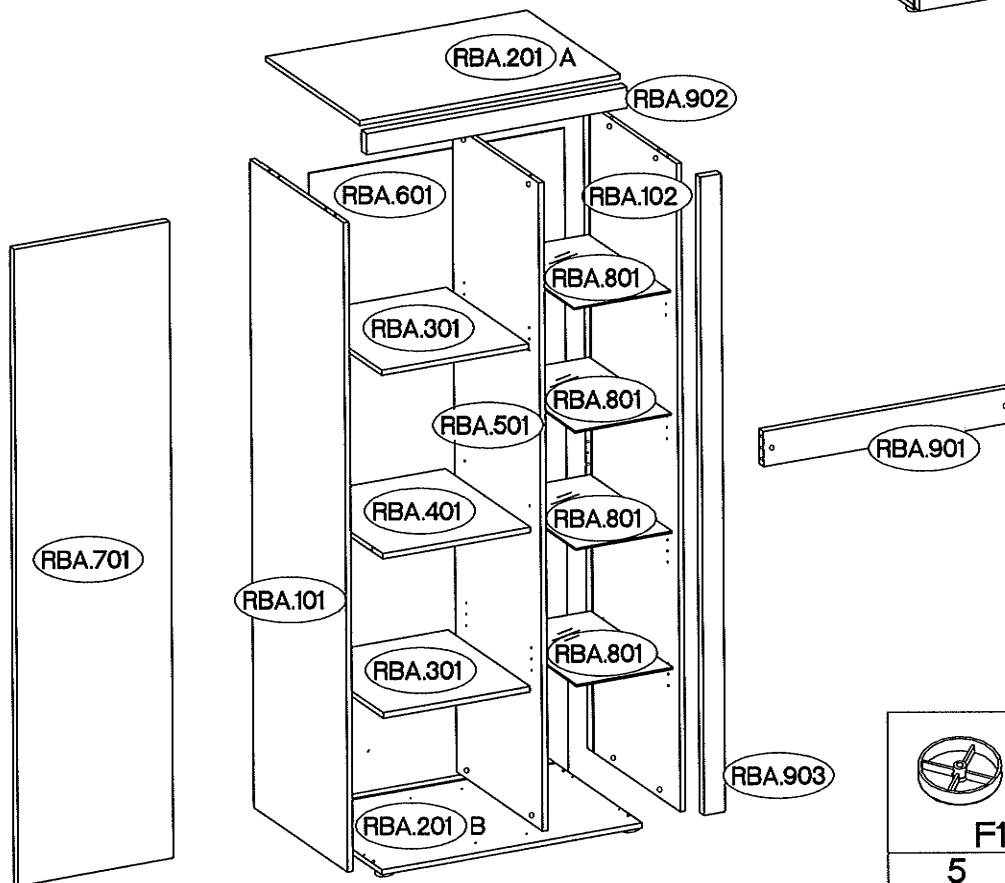
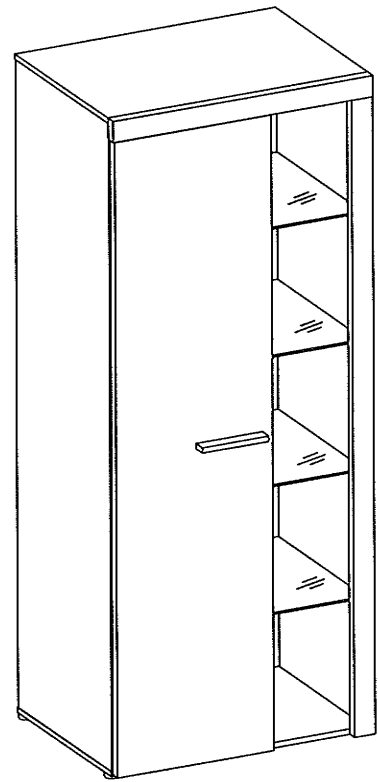
15



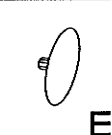
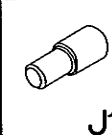
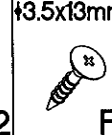
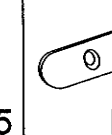
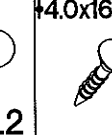
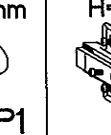
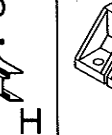




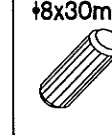
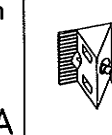
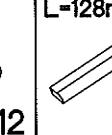
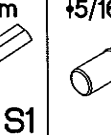
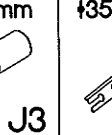
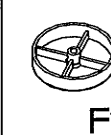

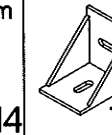




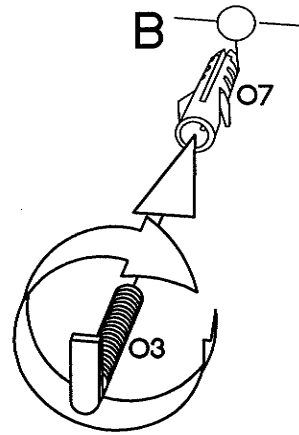
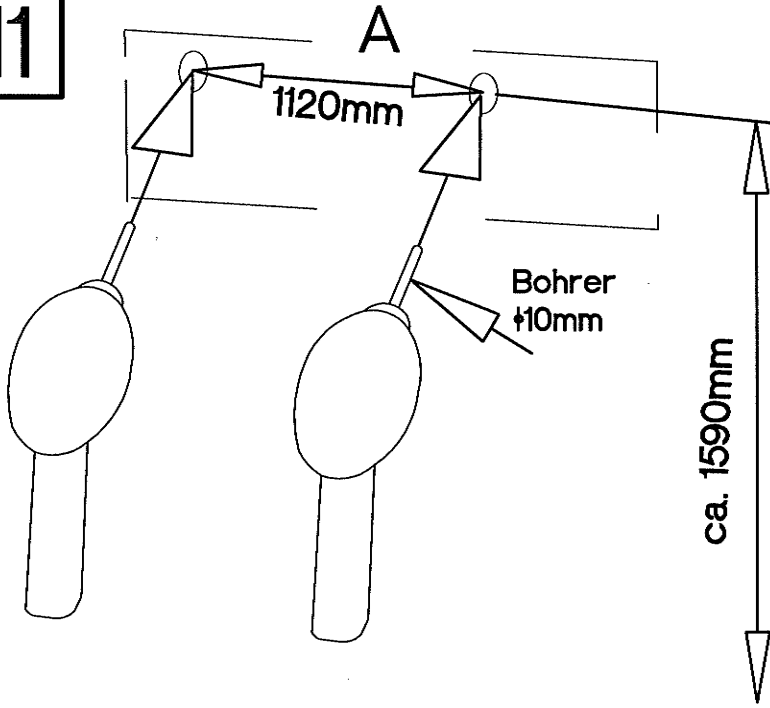
L=20mm 	∅15/12mm 	∅8x30mm 				∅4.0x16mm 		∅4.0x25mm 
D2	C	A	T9	T4	T3	P1	F10	P14
18	18	12	7	1	1	10	5	5





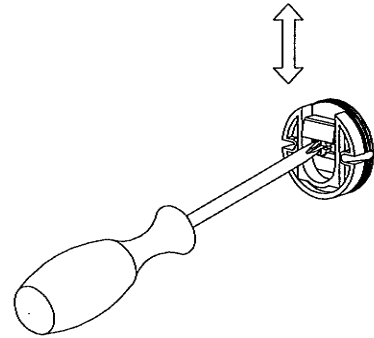
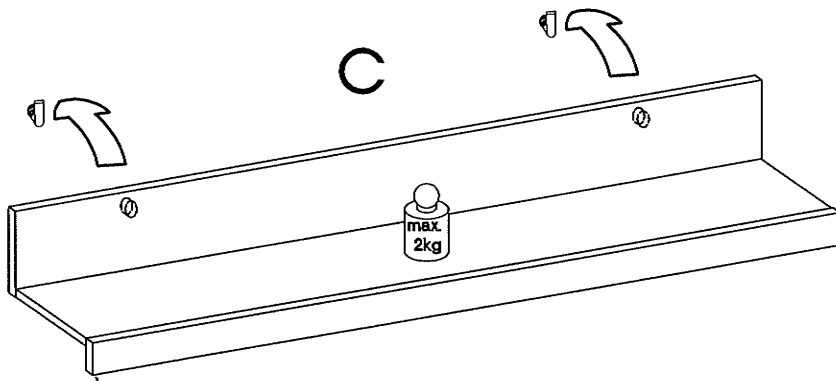
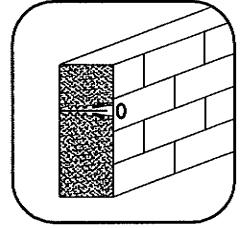
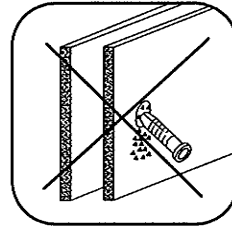
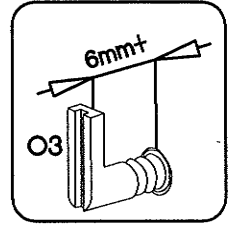


 O7 1	 L9 1	 E 16	 J12 16	 P5 7	 L2 10	 P1 18	 H=0 3	 T4 1
 R2 2	 P7 9	 L=20mm D2 18	 H=12mm C 18	 H=30mm A 12	 12 12	 L=128mm S1 1	 H=16mm J3 8	 H=35mm G 3
						 F10 5	 H=0 P14 5	 T9 7






11

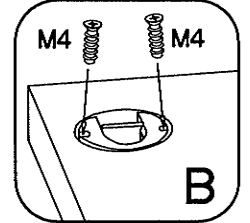
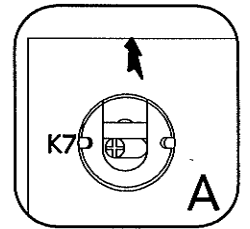
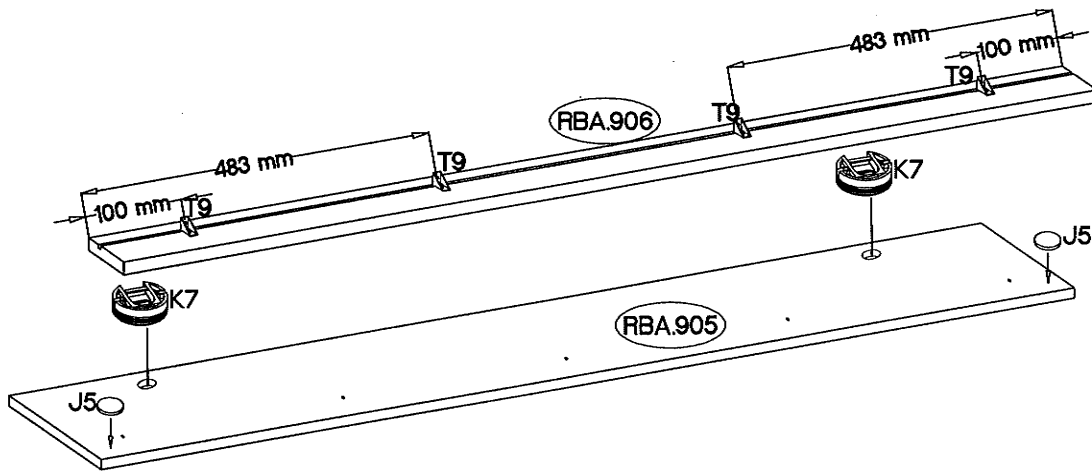
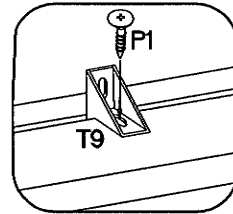


5/45mm	110x50mm
	
O3	O7
2	2




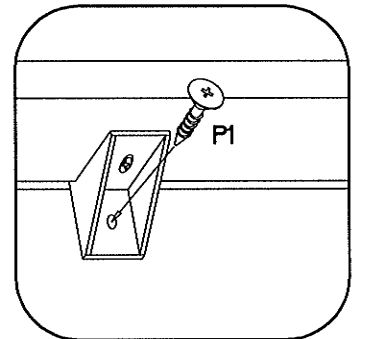
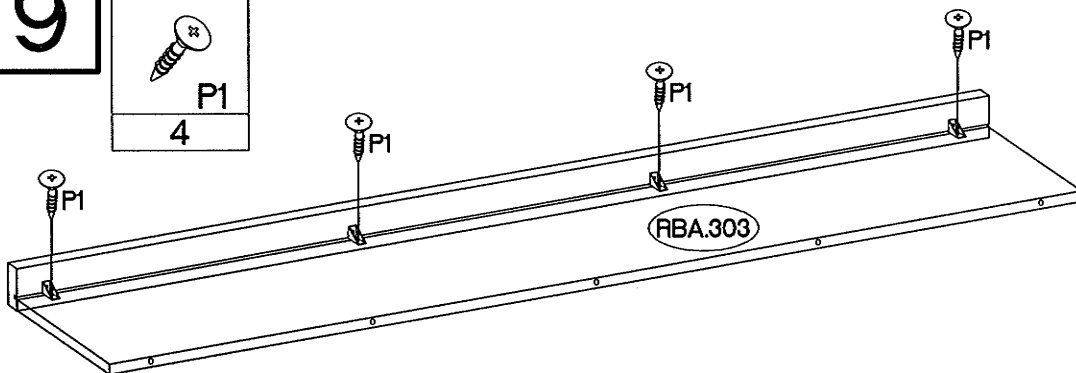
8

	$\pm 6,3 \times 9 \text{ mm}$ 	$\pm 7/2 \text{ mm}$ 		$\pm 4.0 \times 16 \text{ mm}$ 
K7	M4	J5	T9	P1
2	4	2	4	4


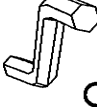


9

$\pm 4.0 \times 16 \text{ mm}$ 
P1
4



10

$6,4 \times 50 \text{ mm}$ 	
B	O
5	1

